

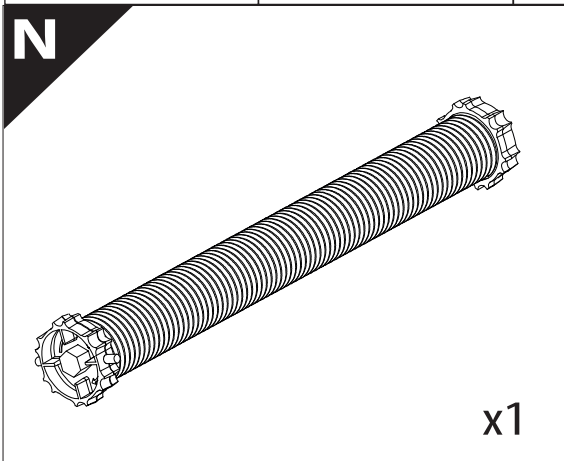
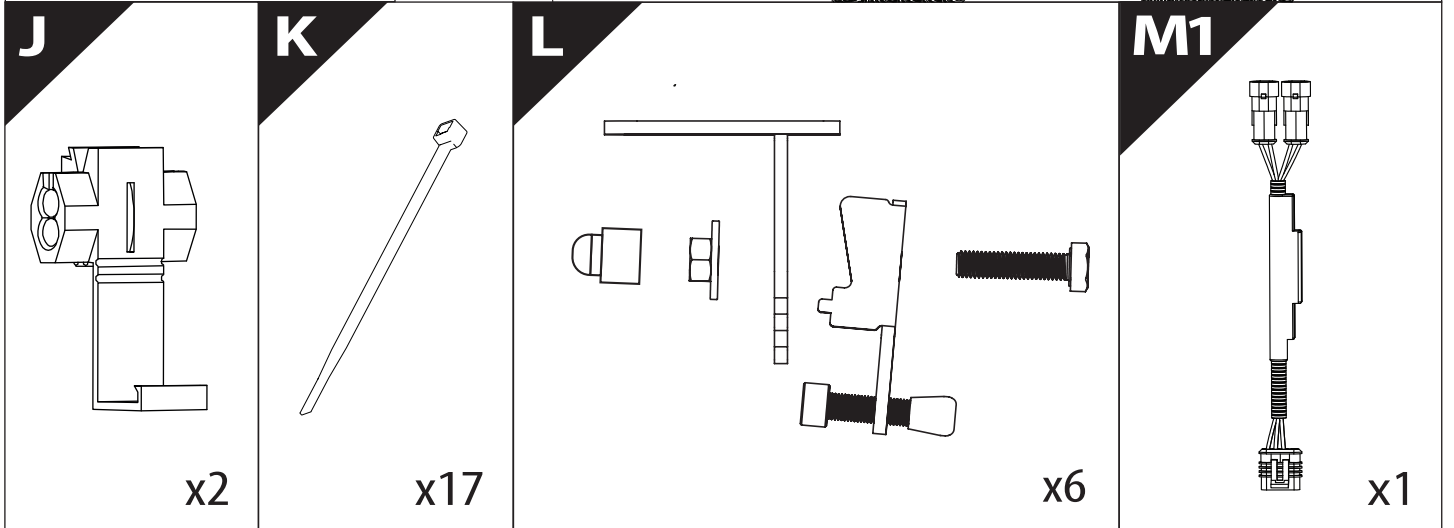
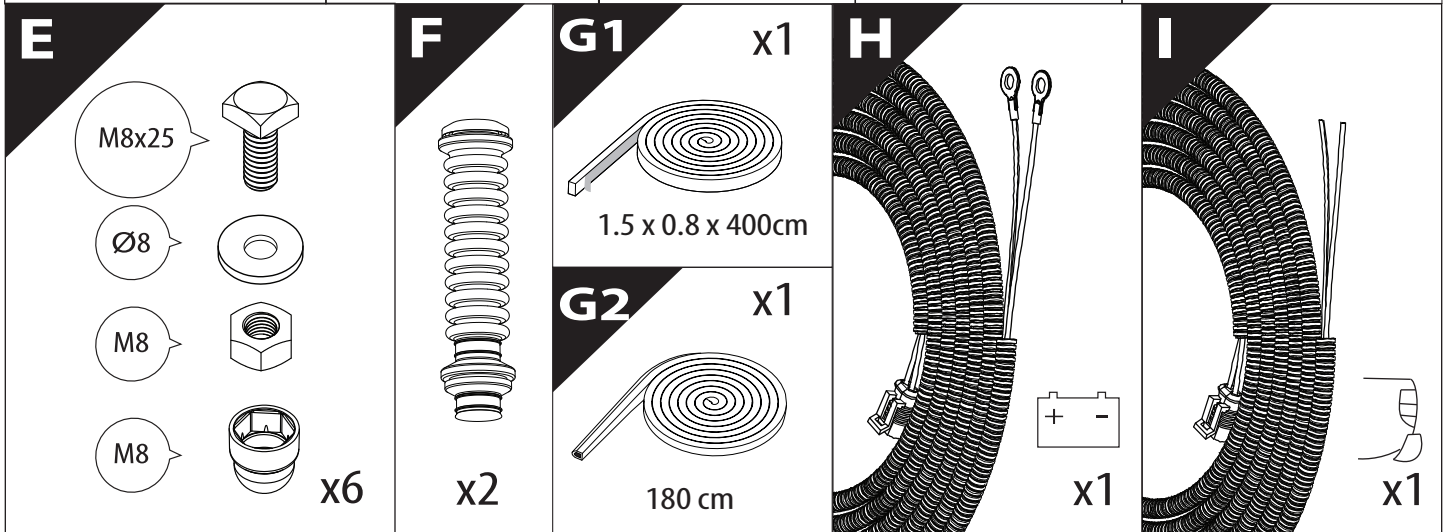
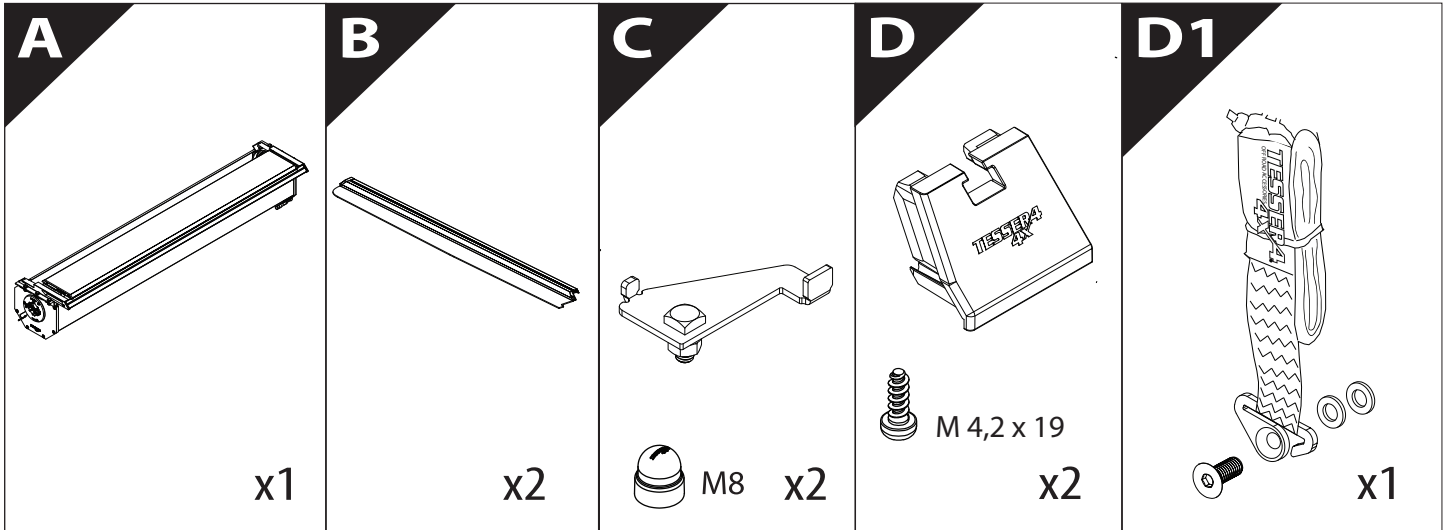
# Tessera Roll+

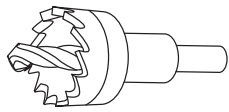
## Basic Version + ⚙️ S-KIT



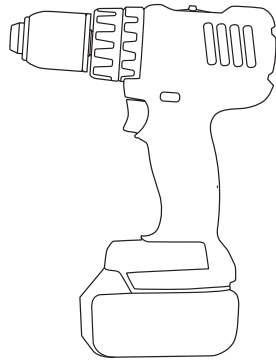
## Installation Manual

| PART NUMBER(S)        | Model Year                      |
|-----------------------|---------------------------------|
| TESS 14211 ROLL+S-KIT | Ford F-150 2015 -> 2020 & 2021+ |
| TESS 14212 ROLL+S-KIT |                                 |
| Cab(s)                | Installation Time / Weight      |
| Double Cab            | 40-60 minutes / 53-57 kg        |



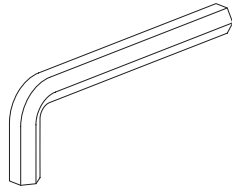
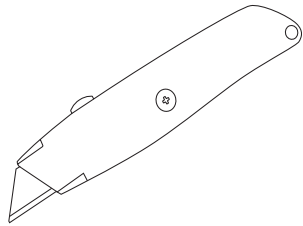
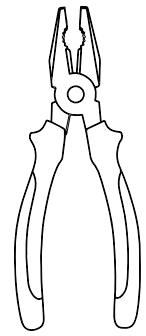


Ø 25 mm



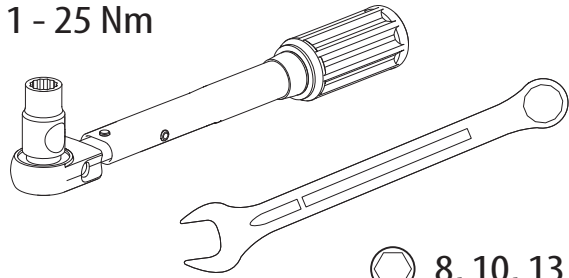
+

-



4 mm

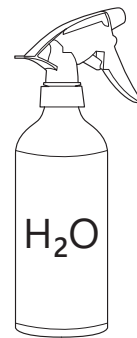
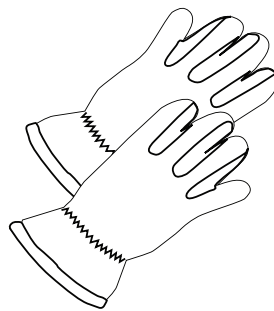
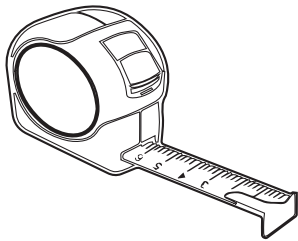
1 - 25 Nm



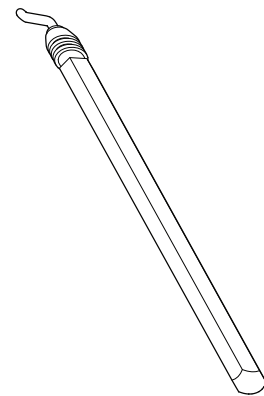
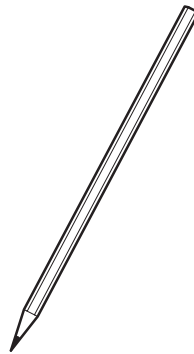
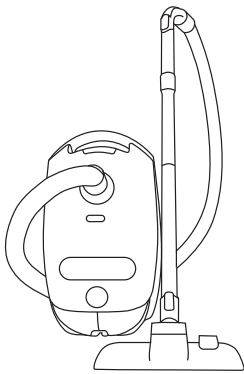
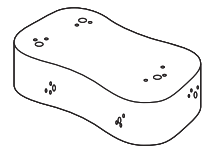
8, 10, 13 mm



ACETONE



H<sub>2</sub>O

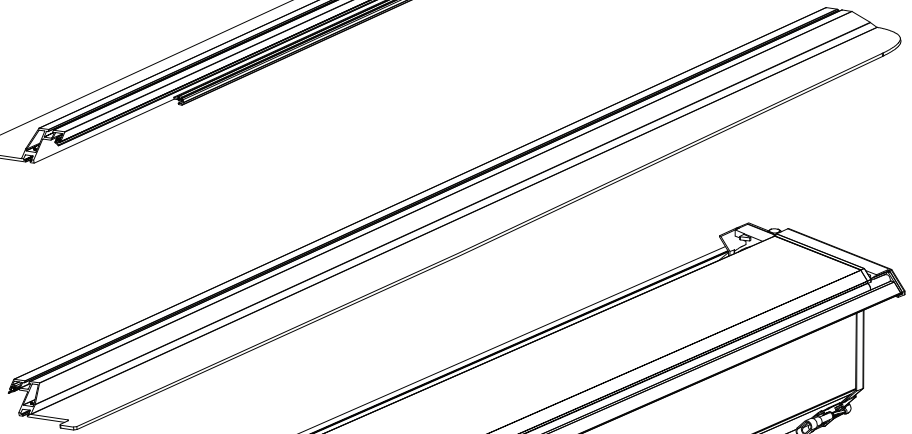


INSTALLATION  
MANUAL  
+S-KIT

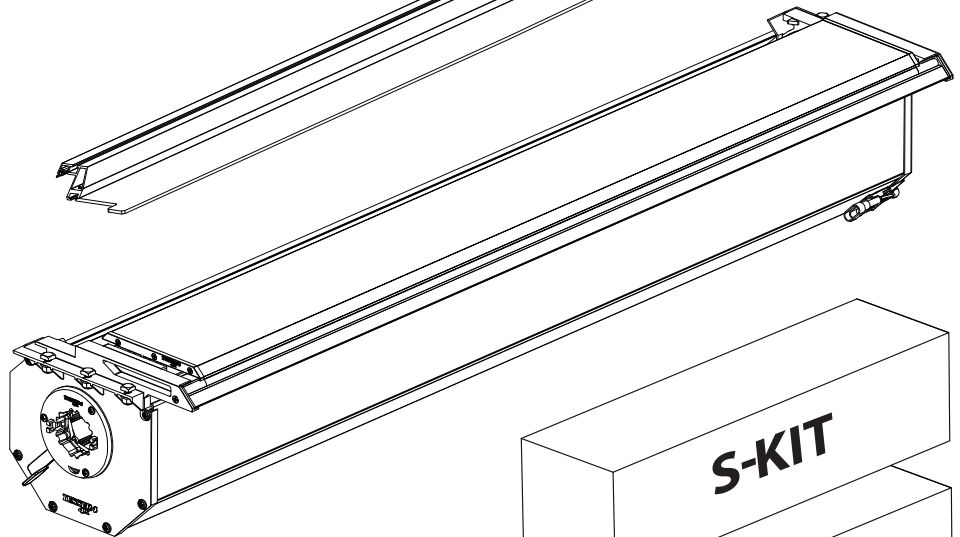


OWNERS  
MANUAL

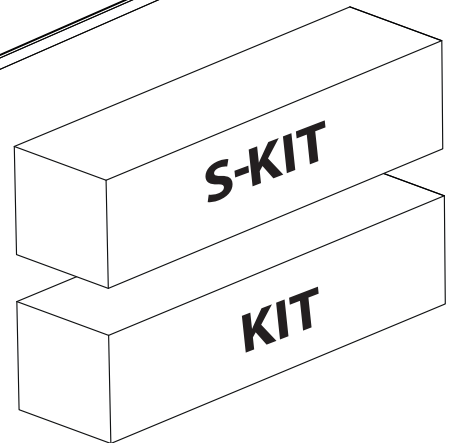




**B**

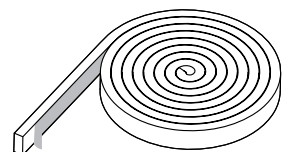


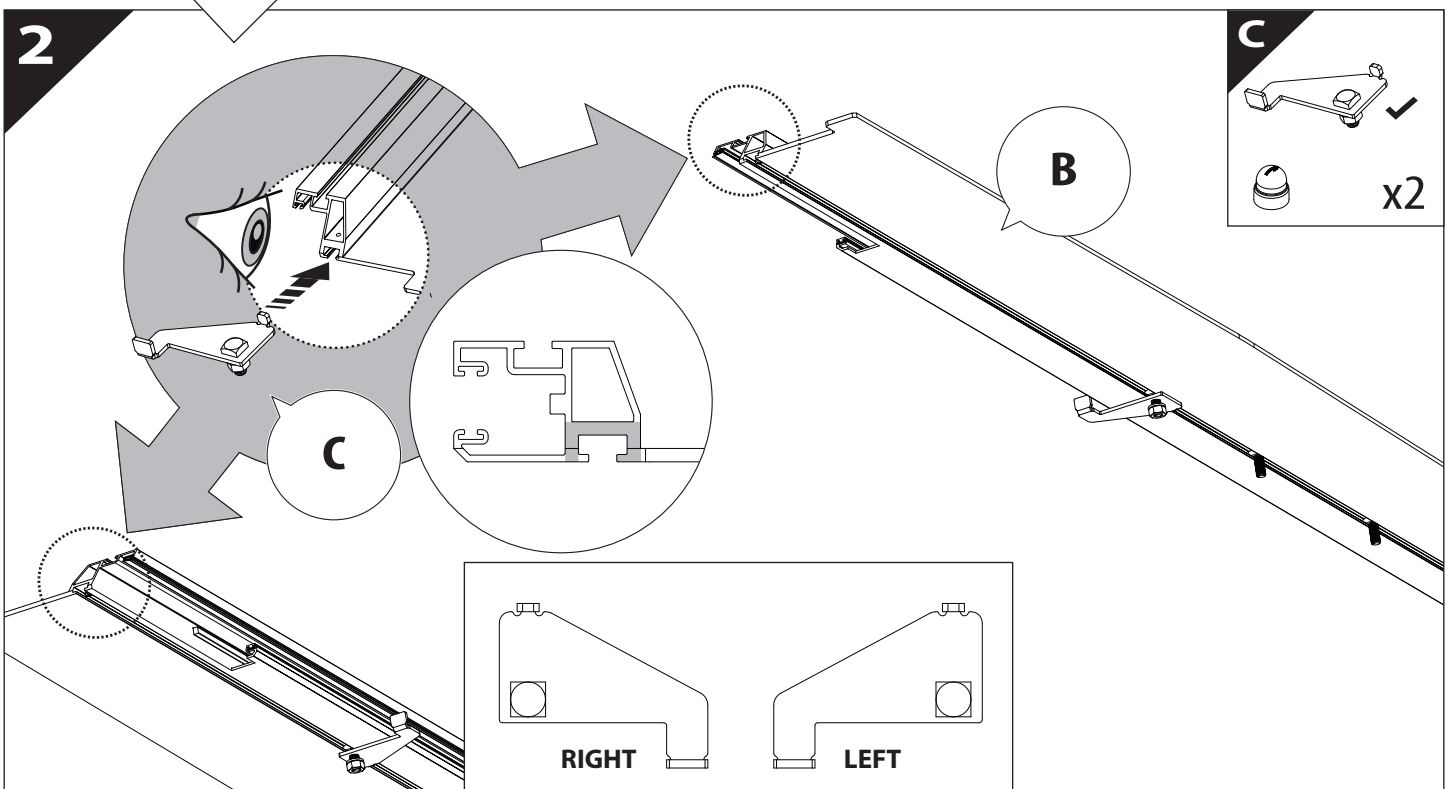
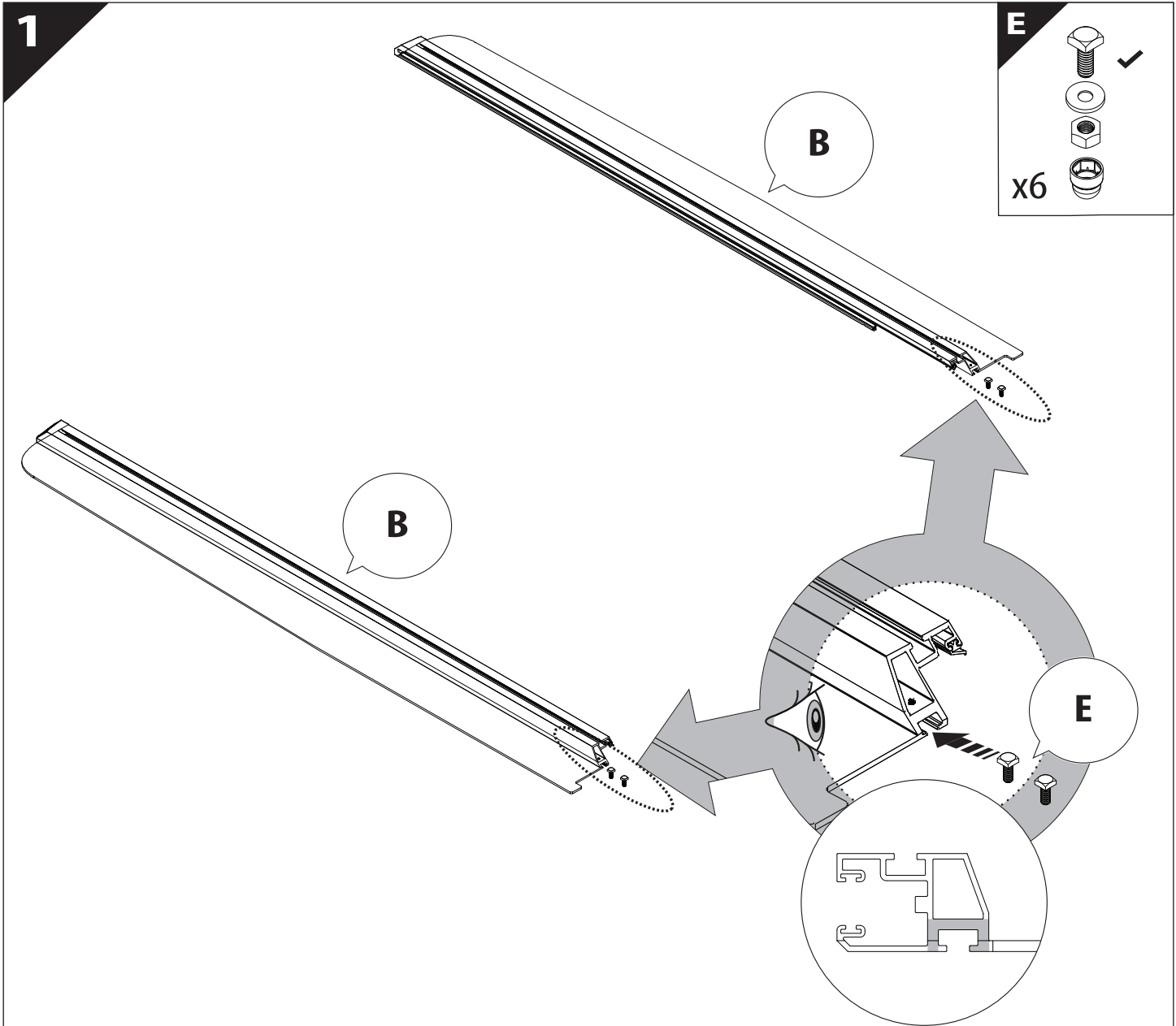
**A**



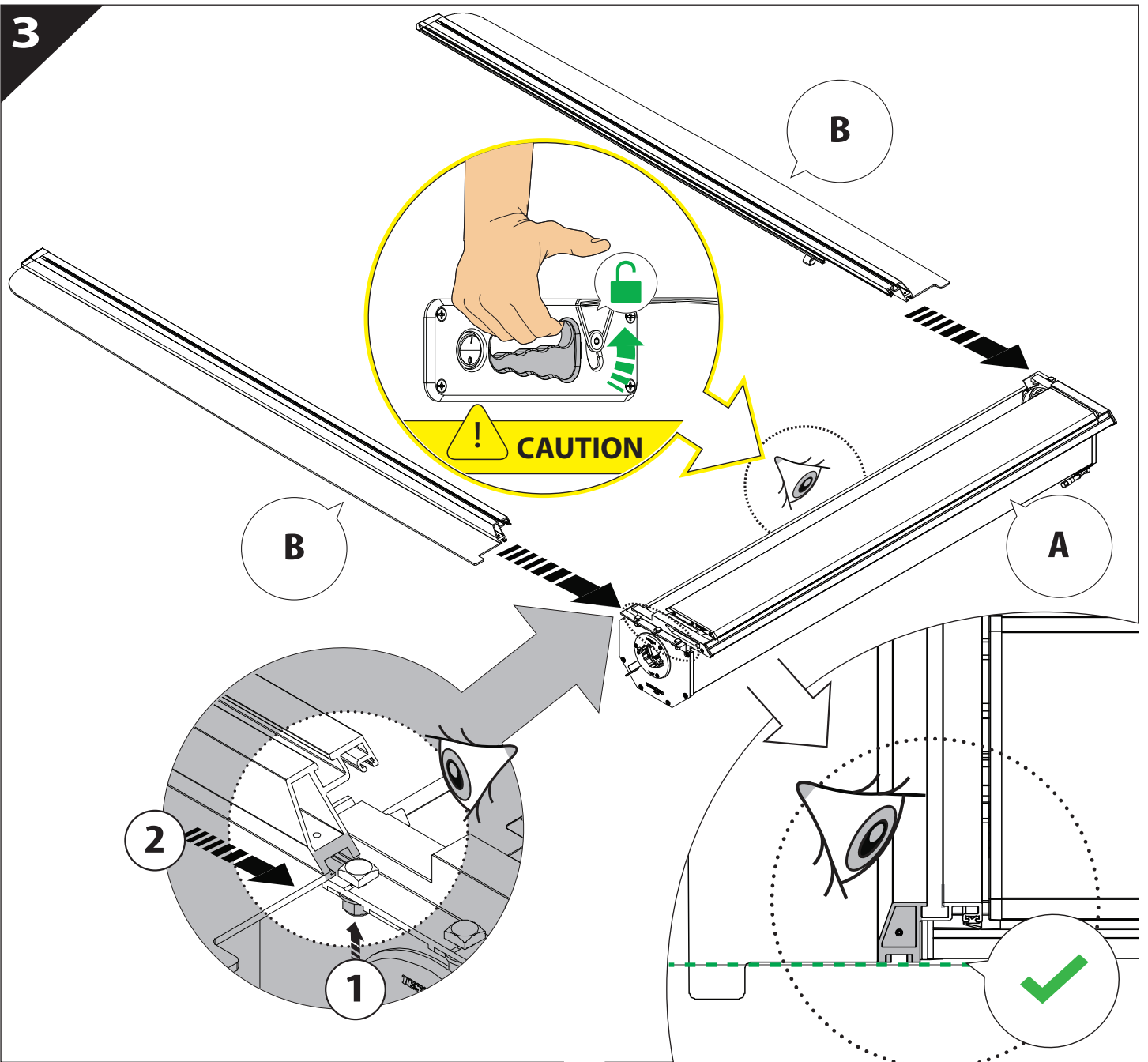
**KITS**

**G**

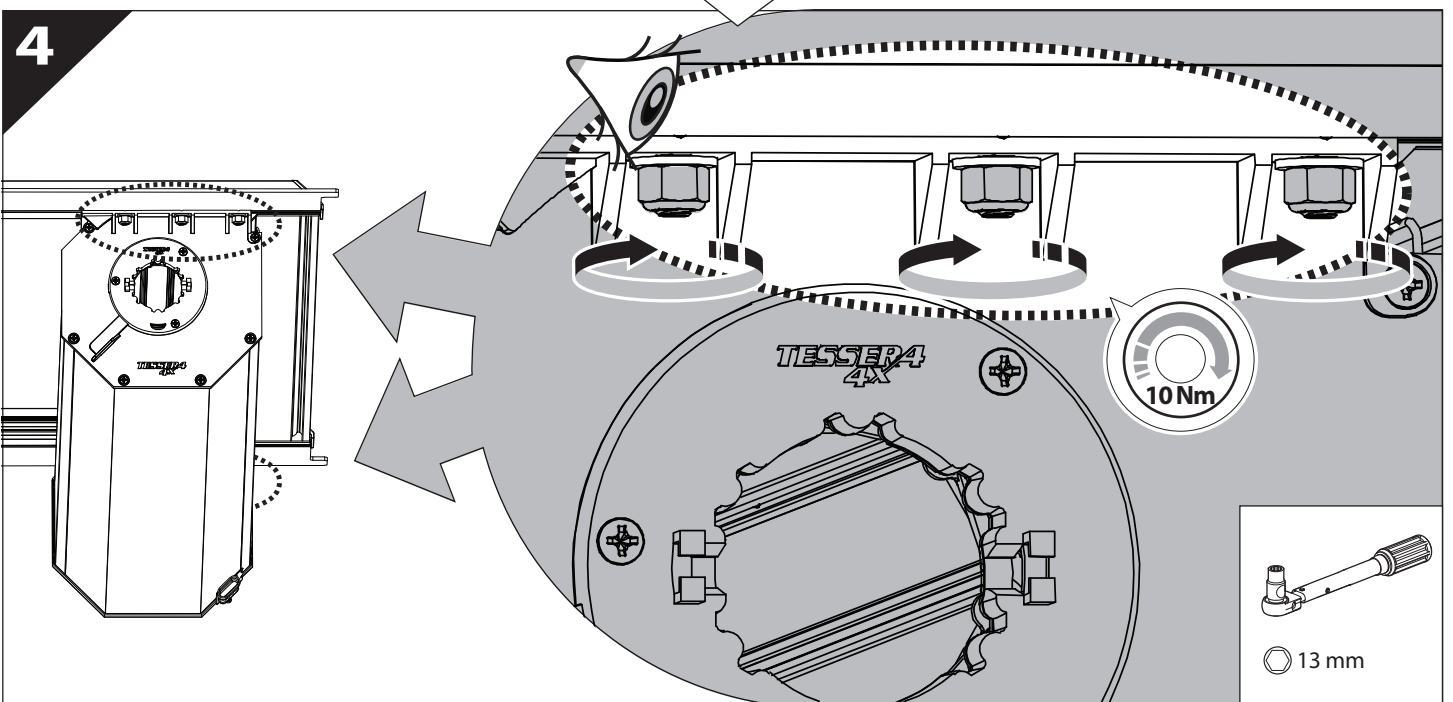




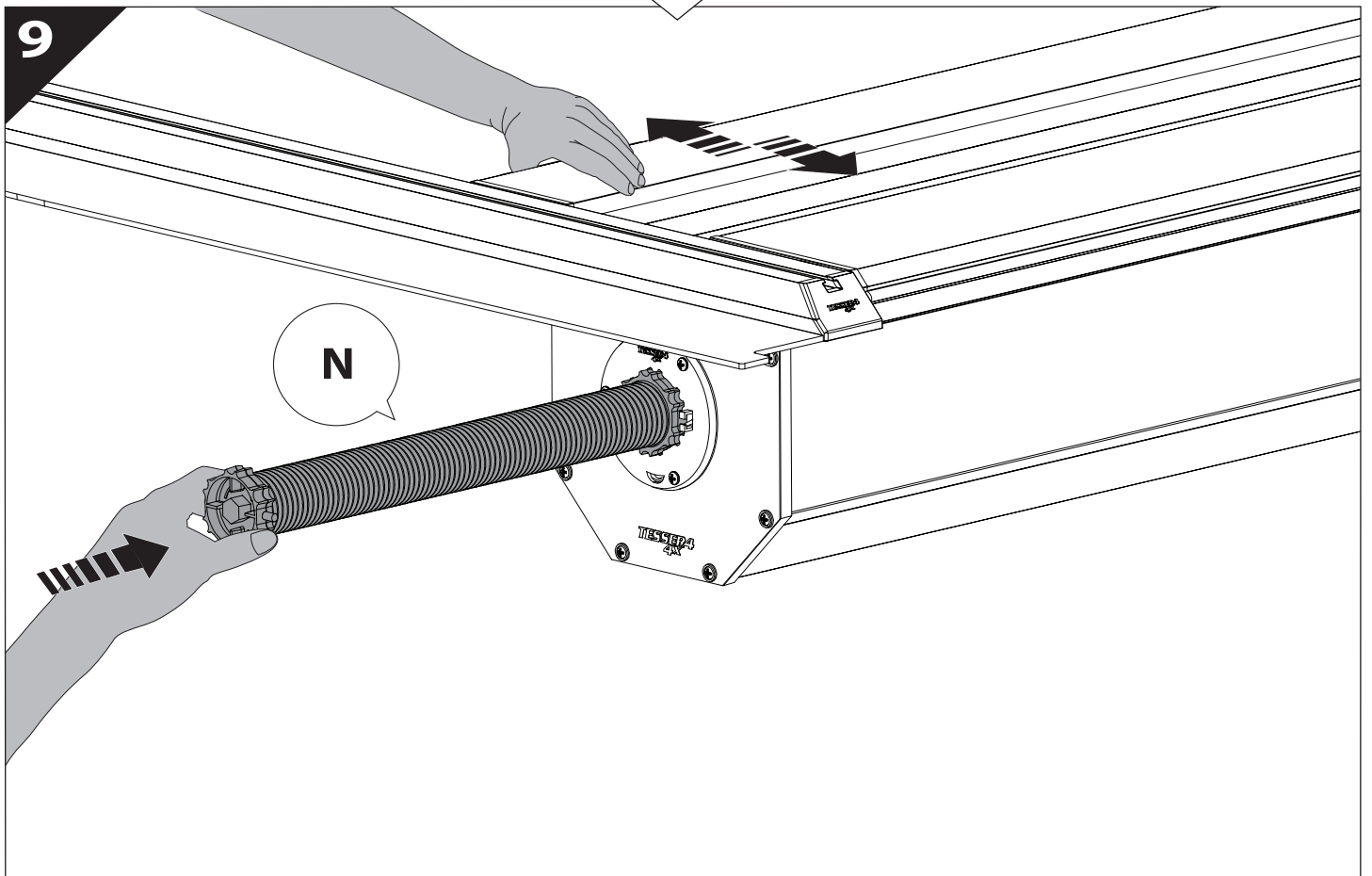
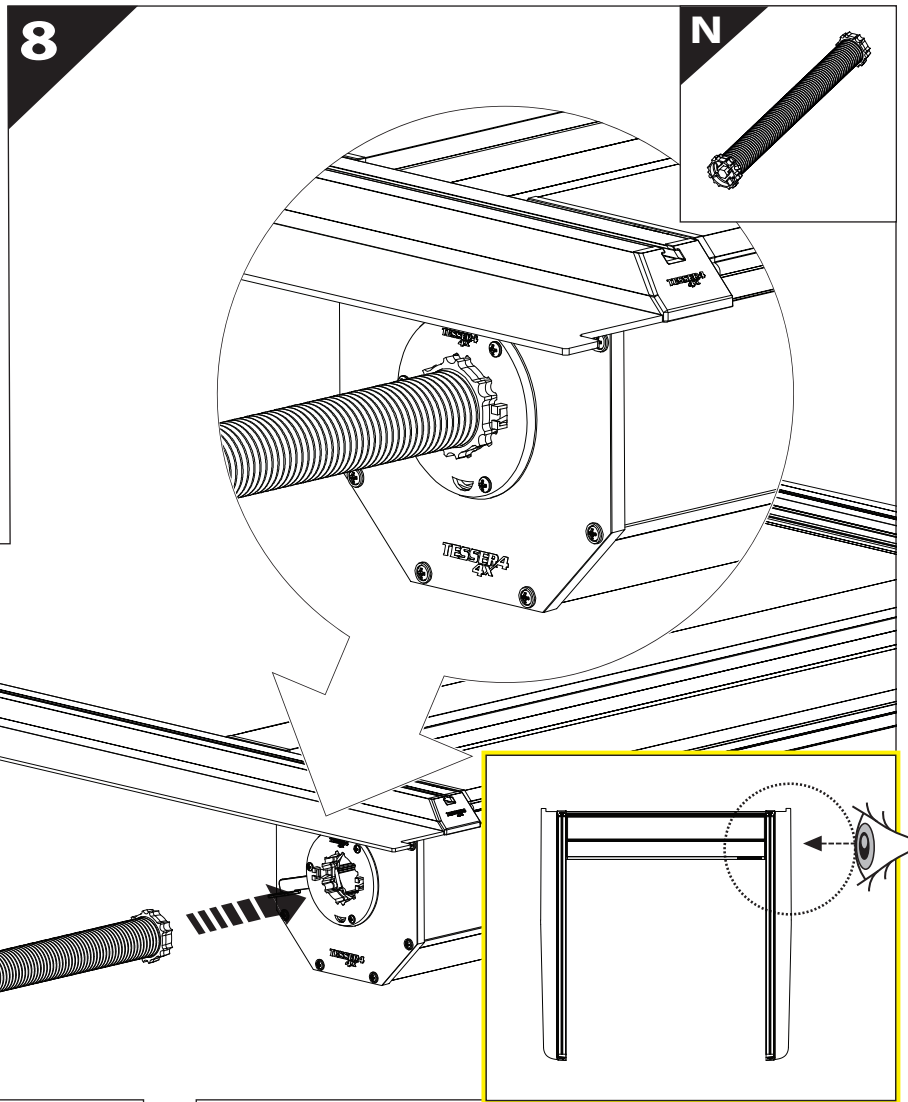
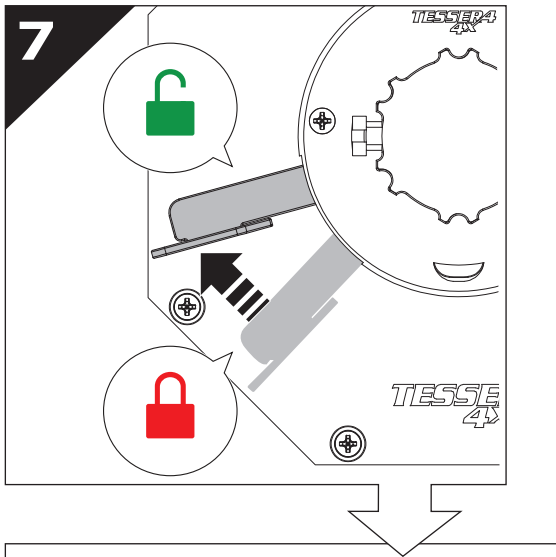
3



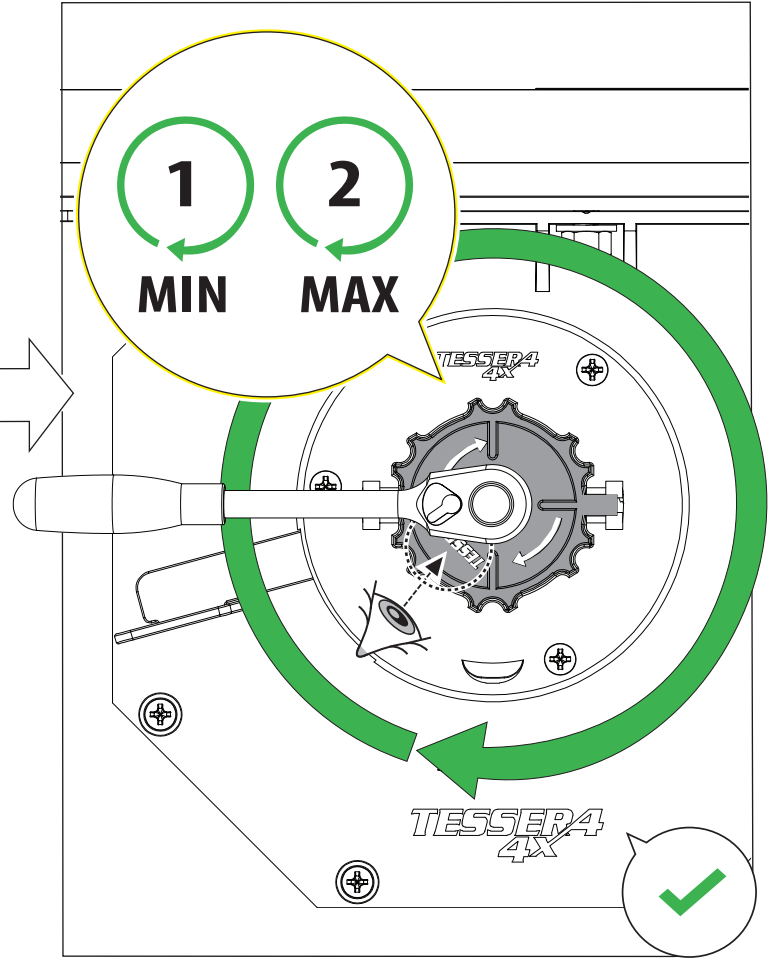
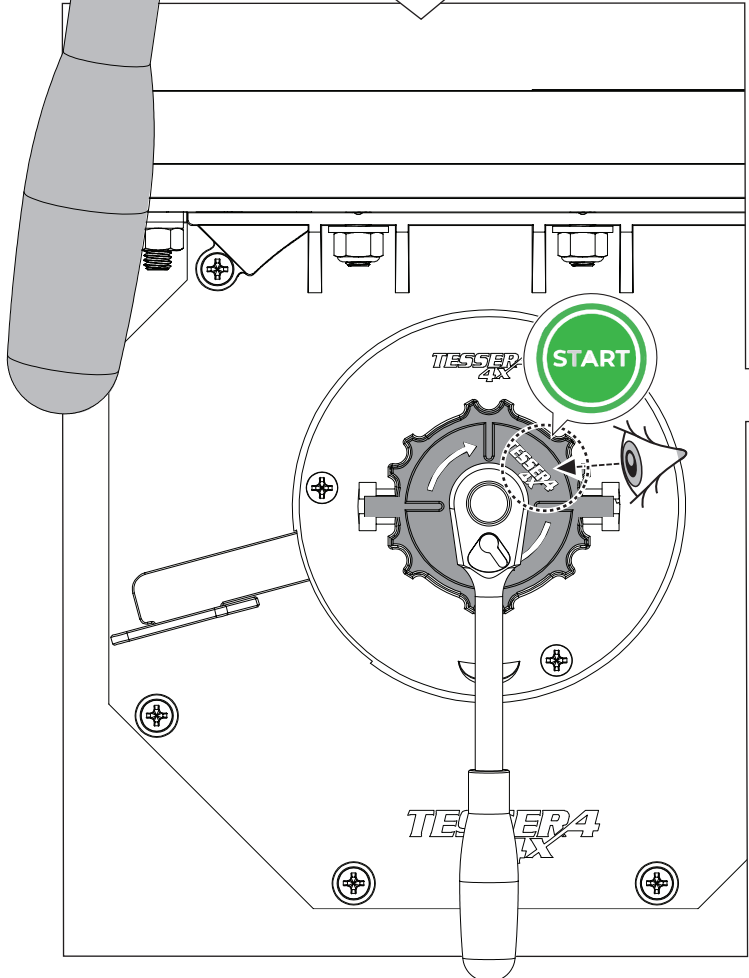
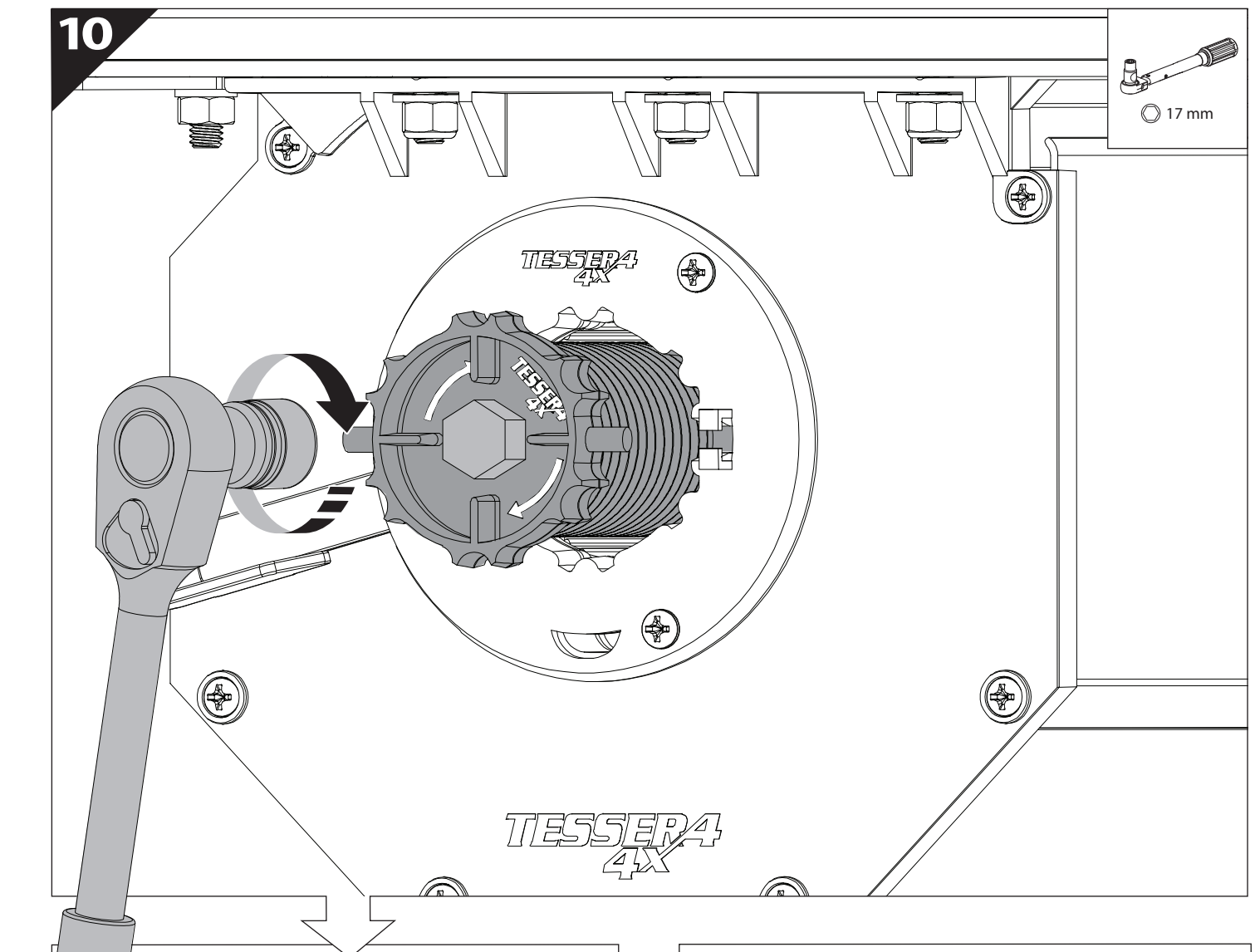
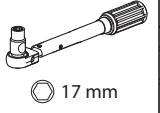
4



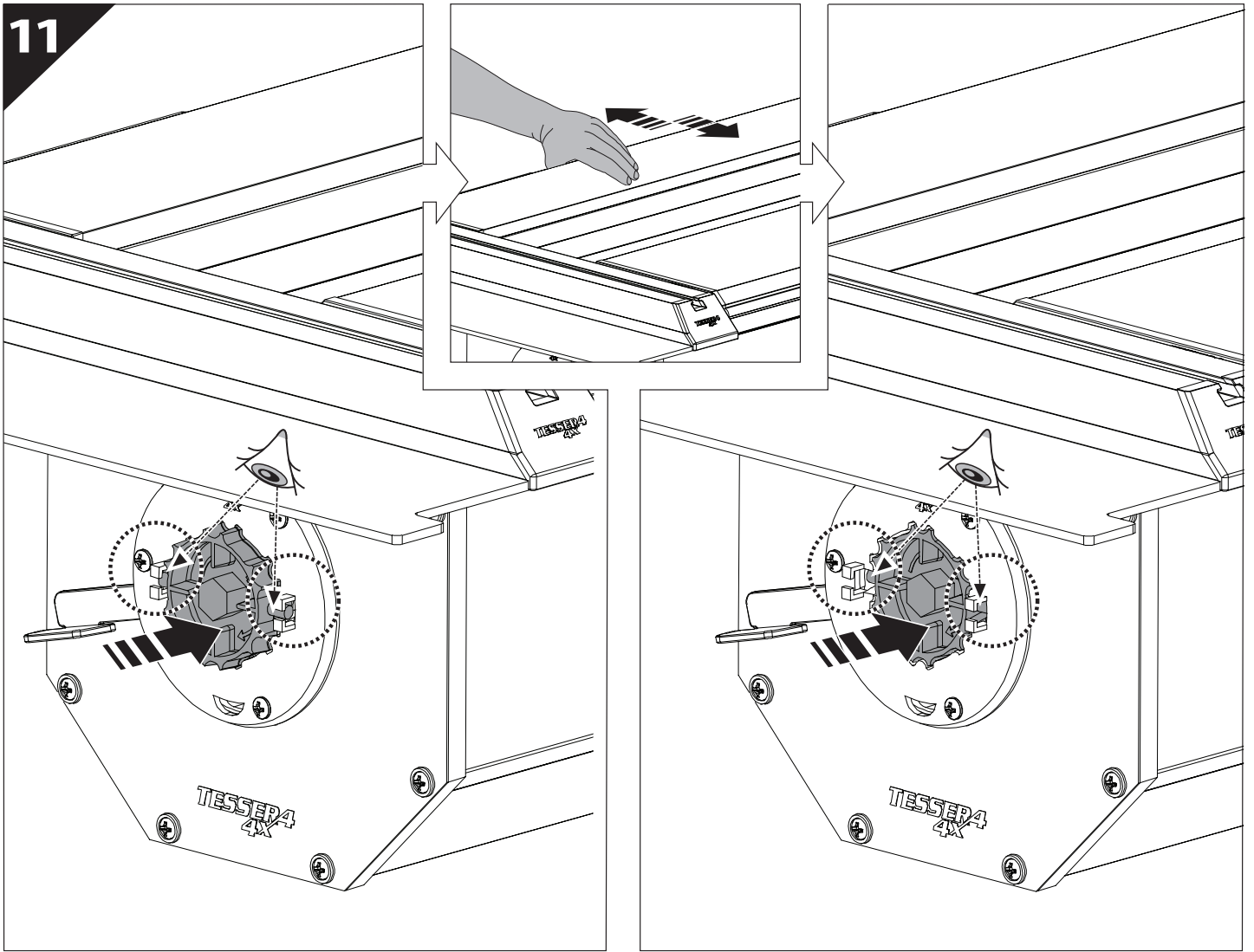




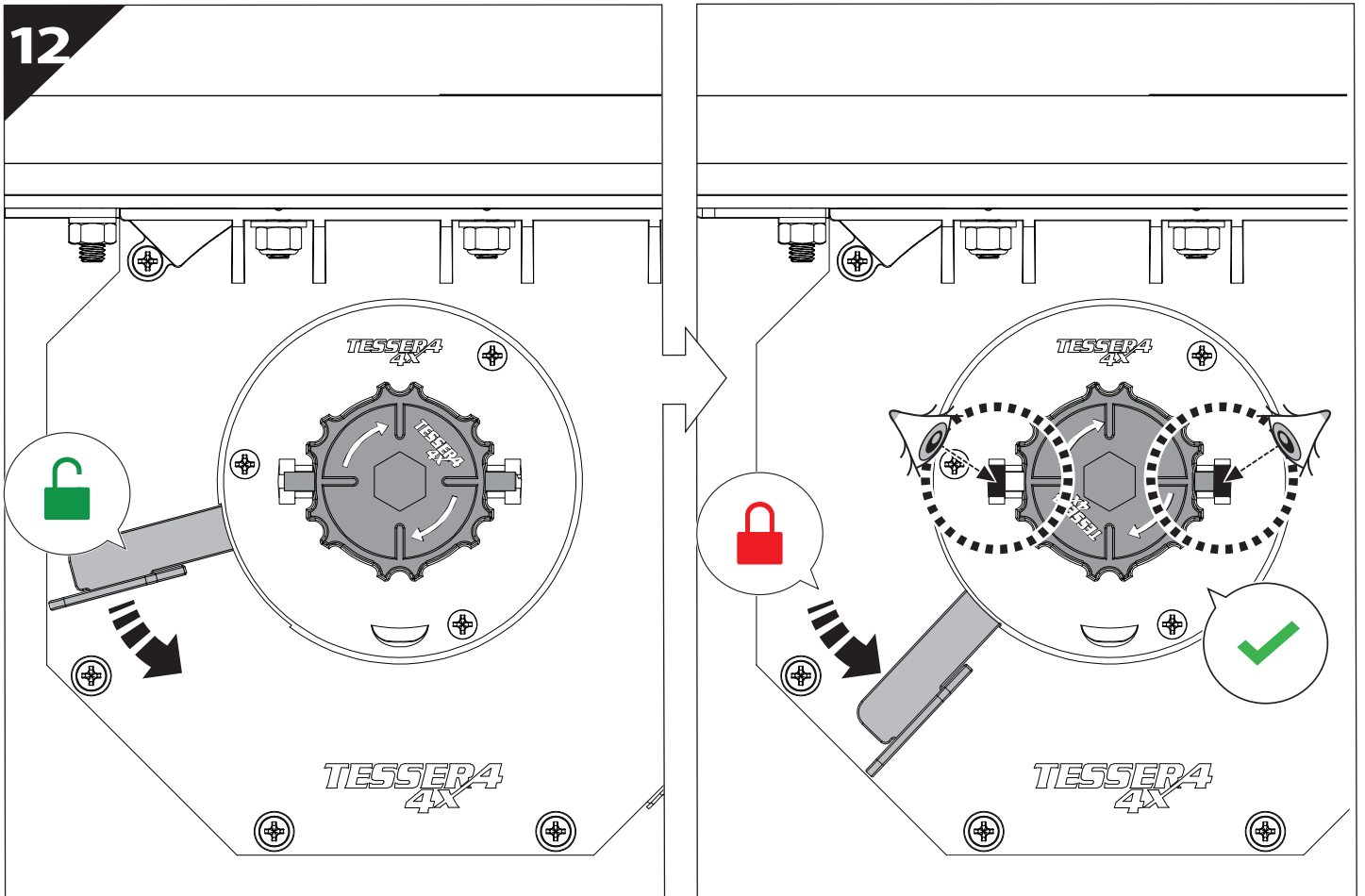
10



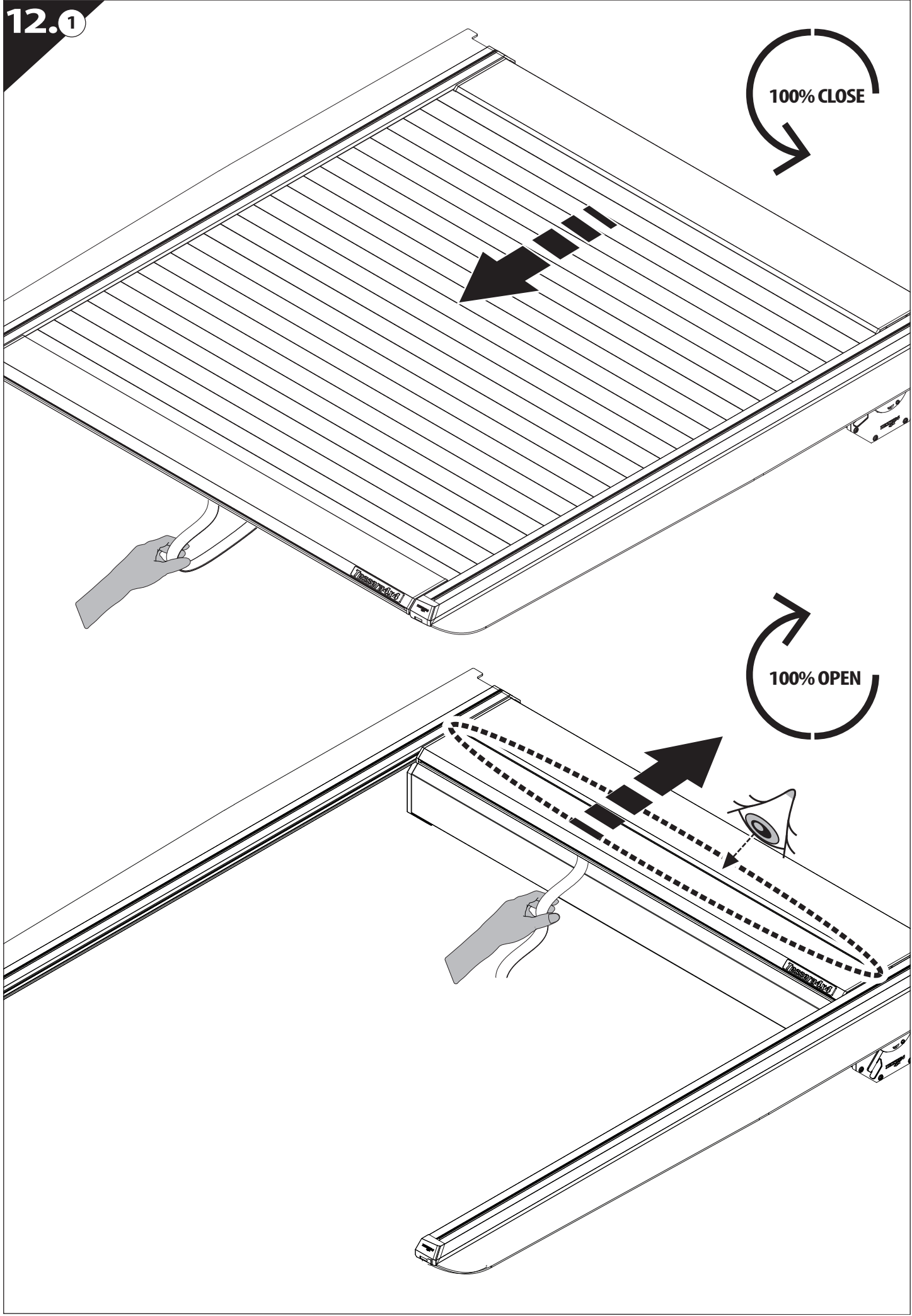
11



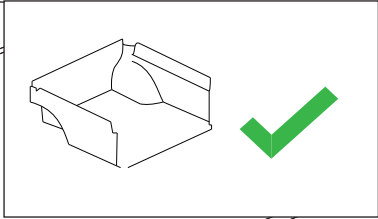
12



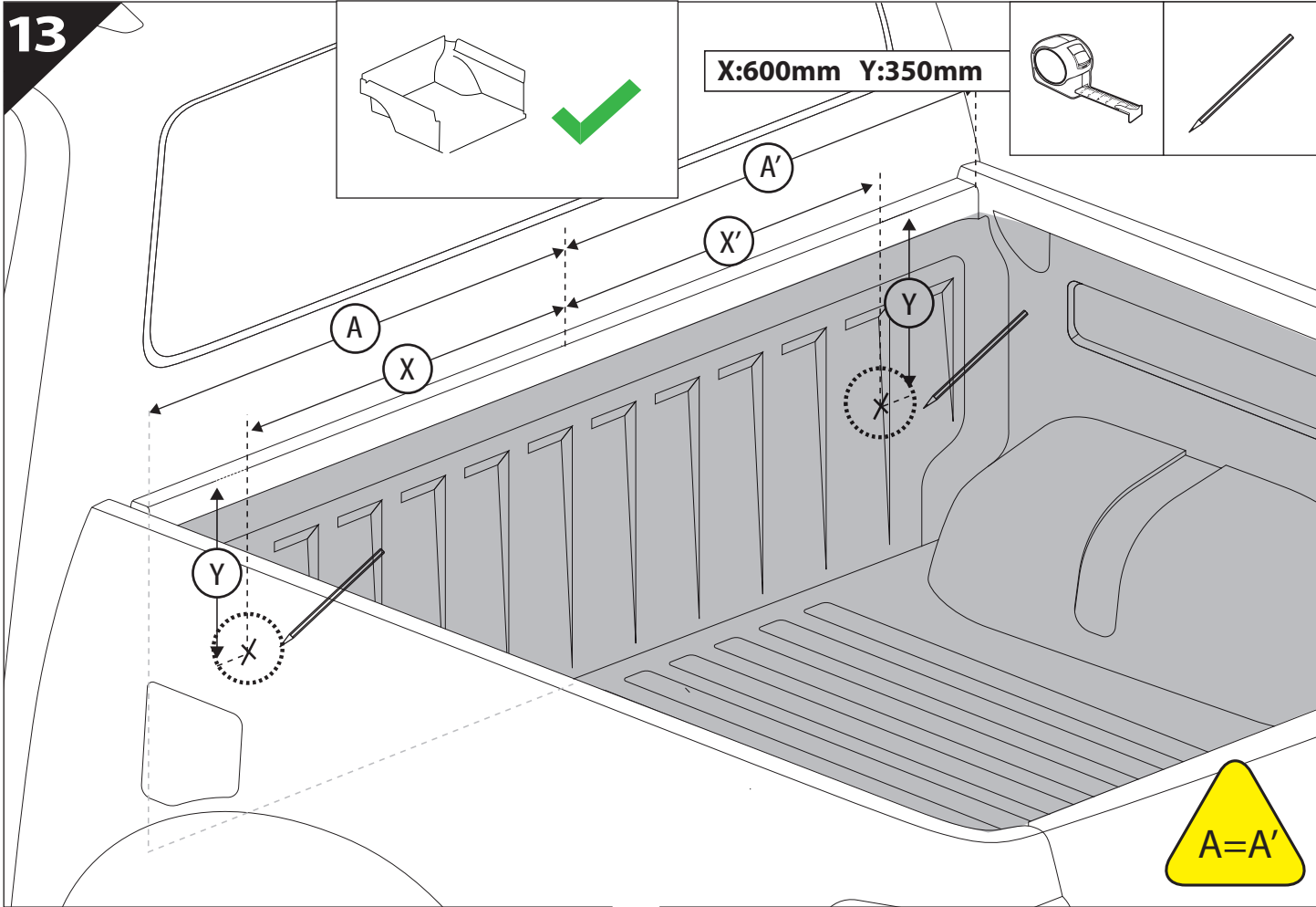
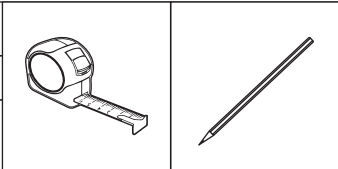
12.0



13

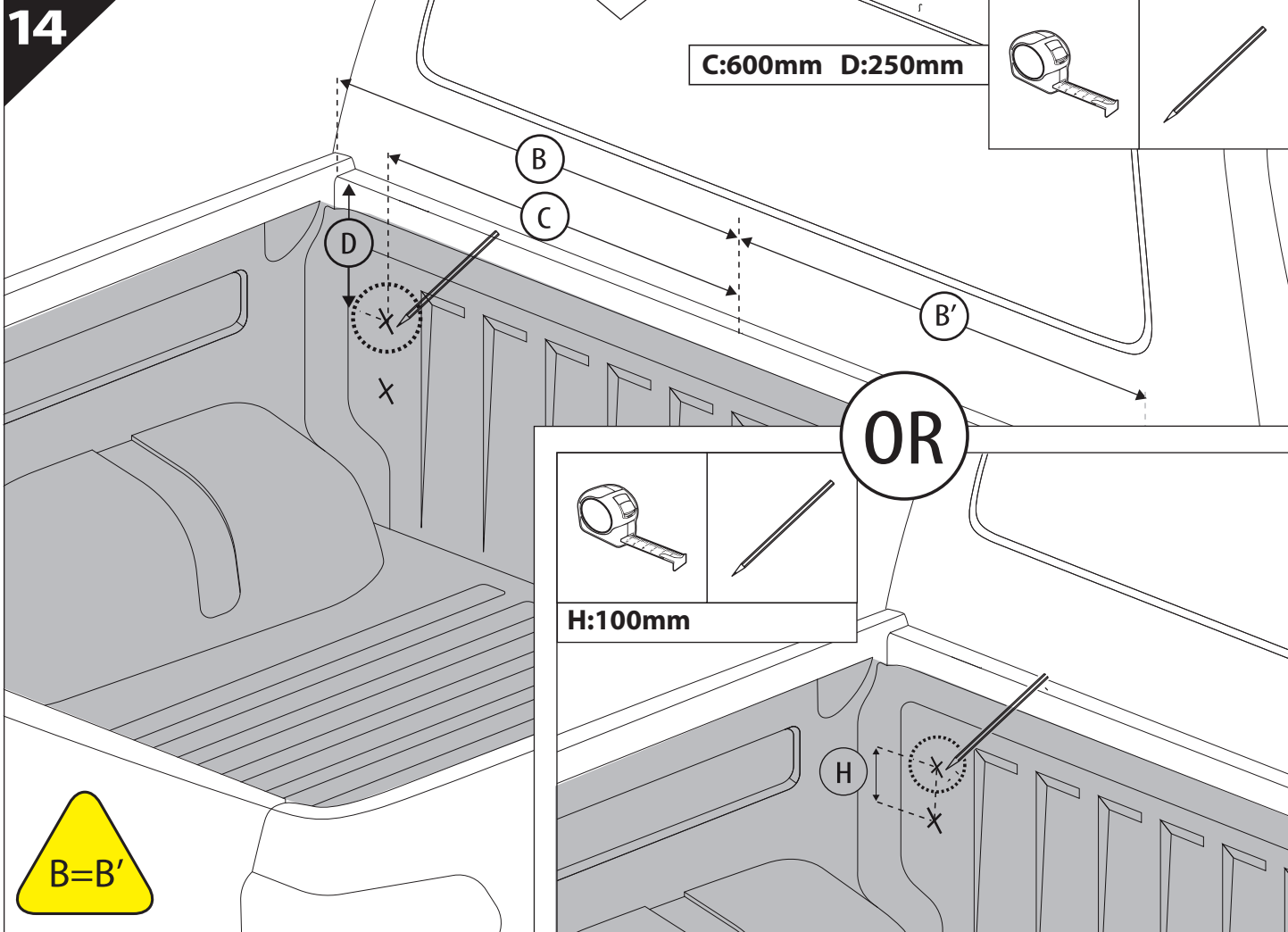
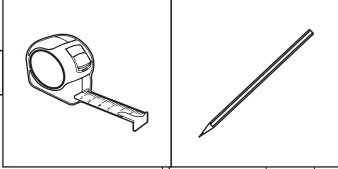


X:600mm Y:350mm

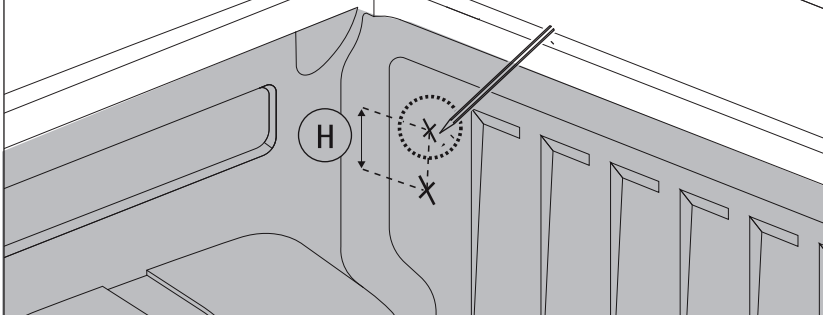
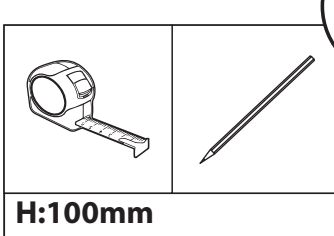


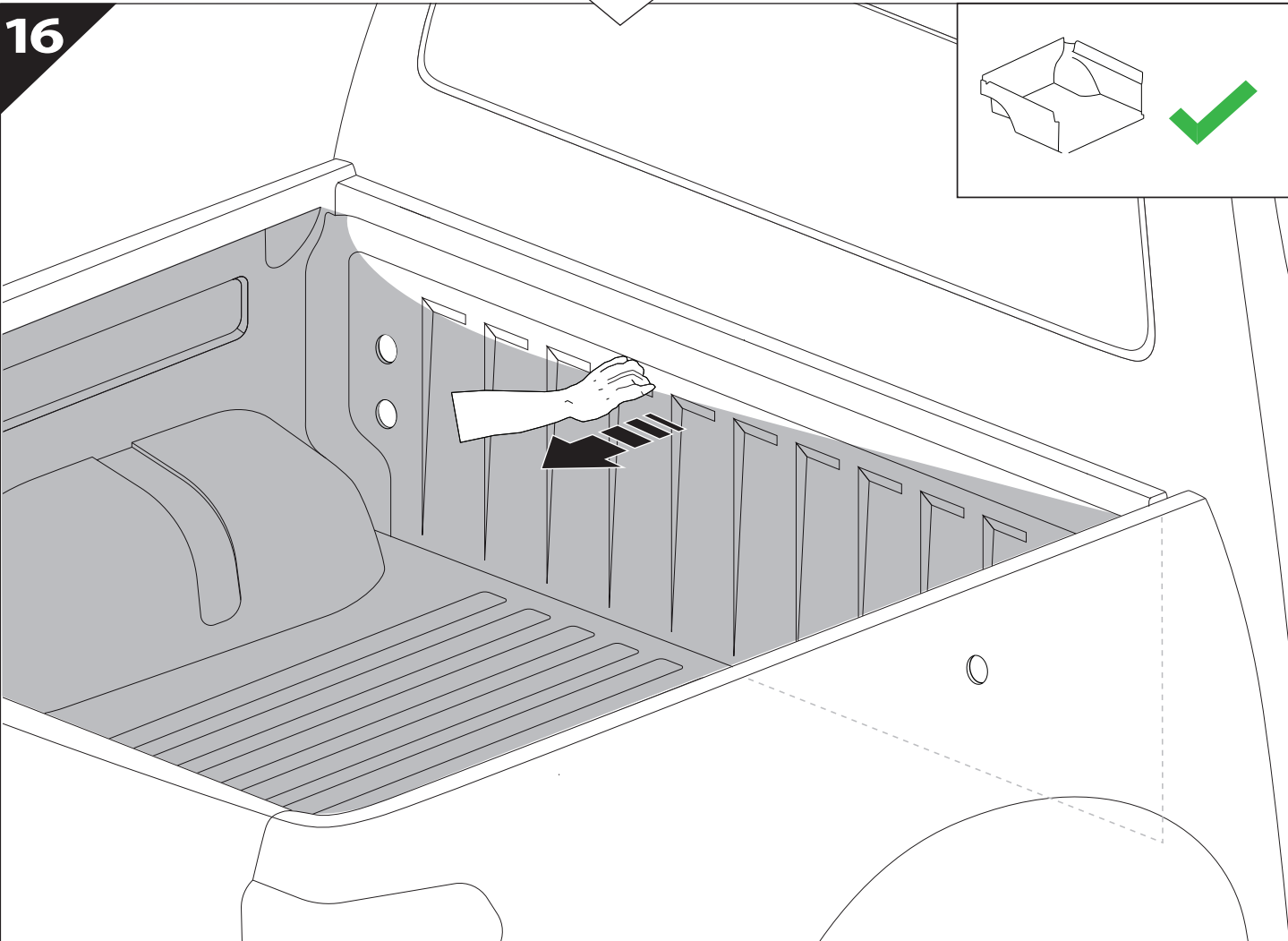
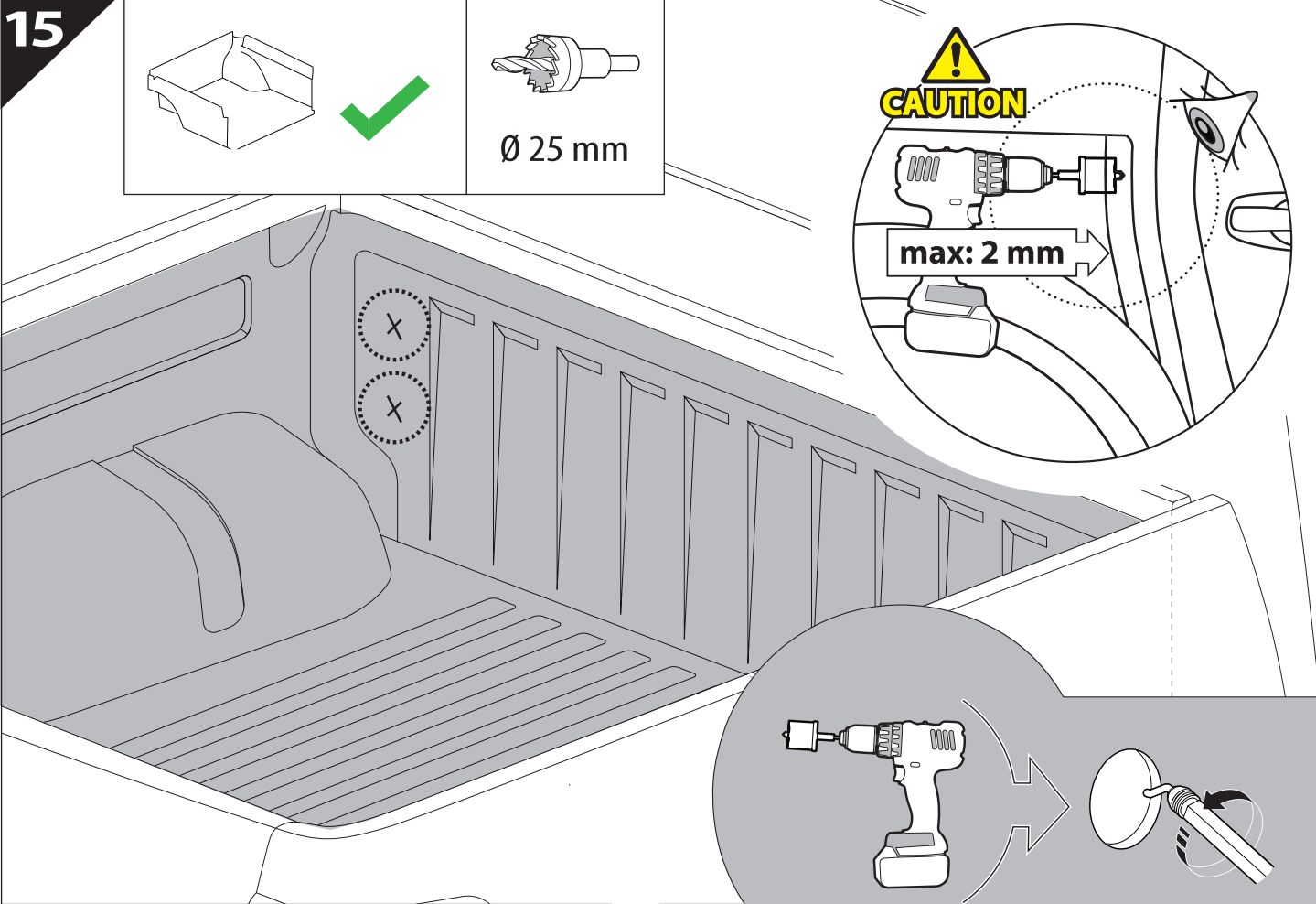
14

C:600mm D:250mm

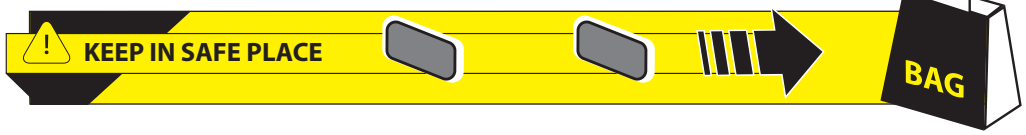
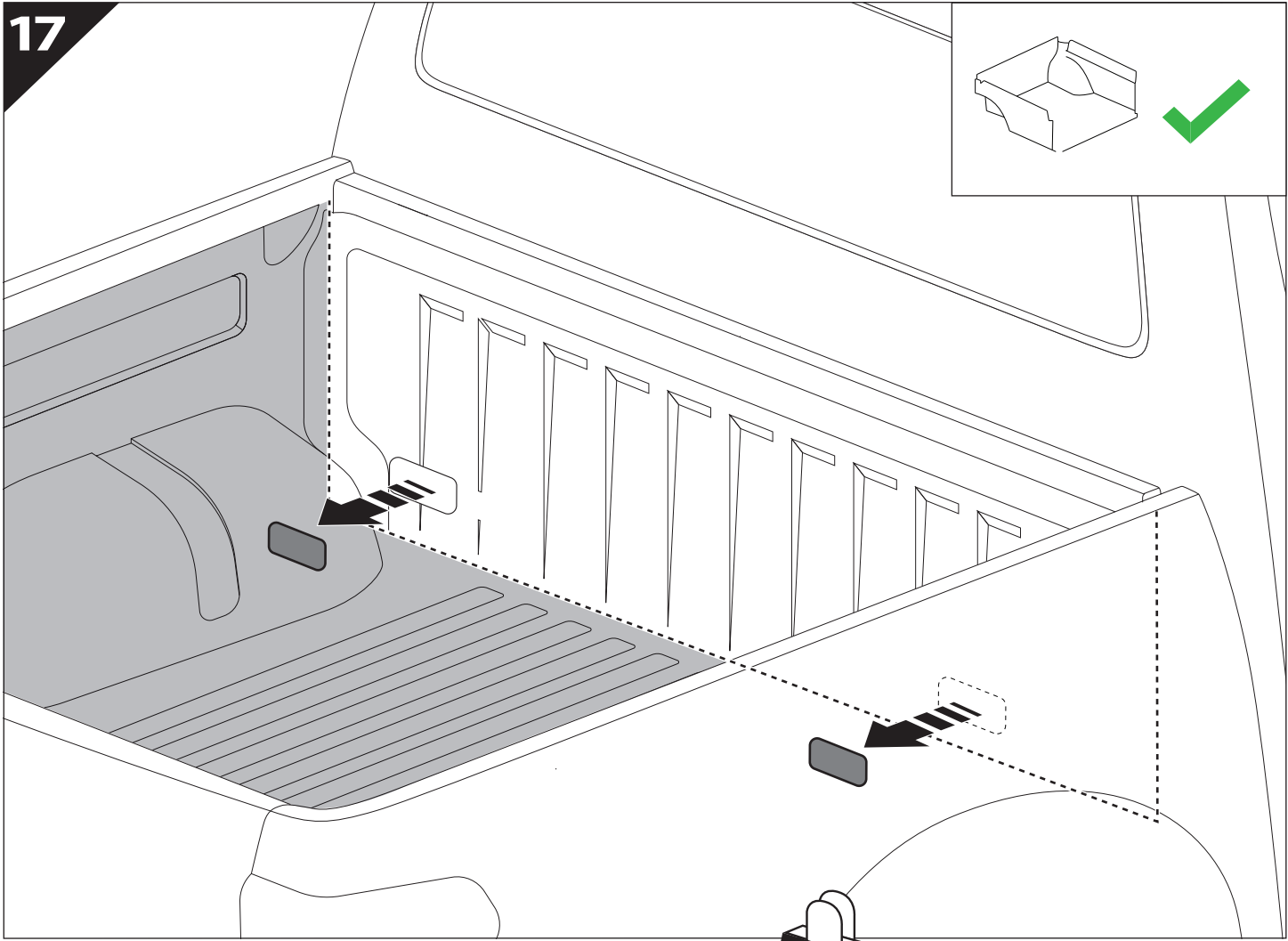
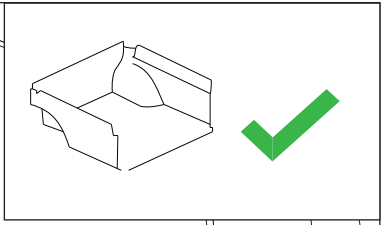


OR



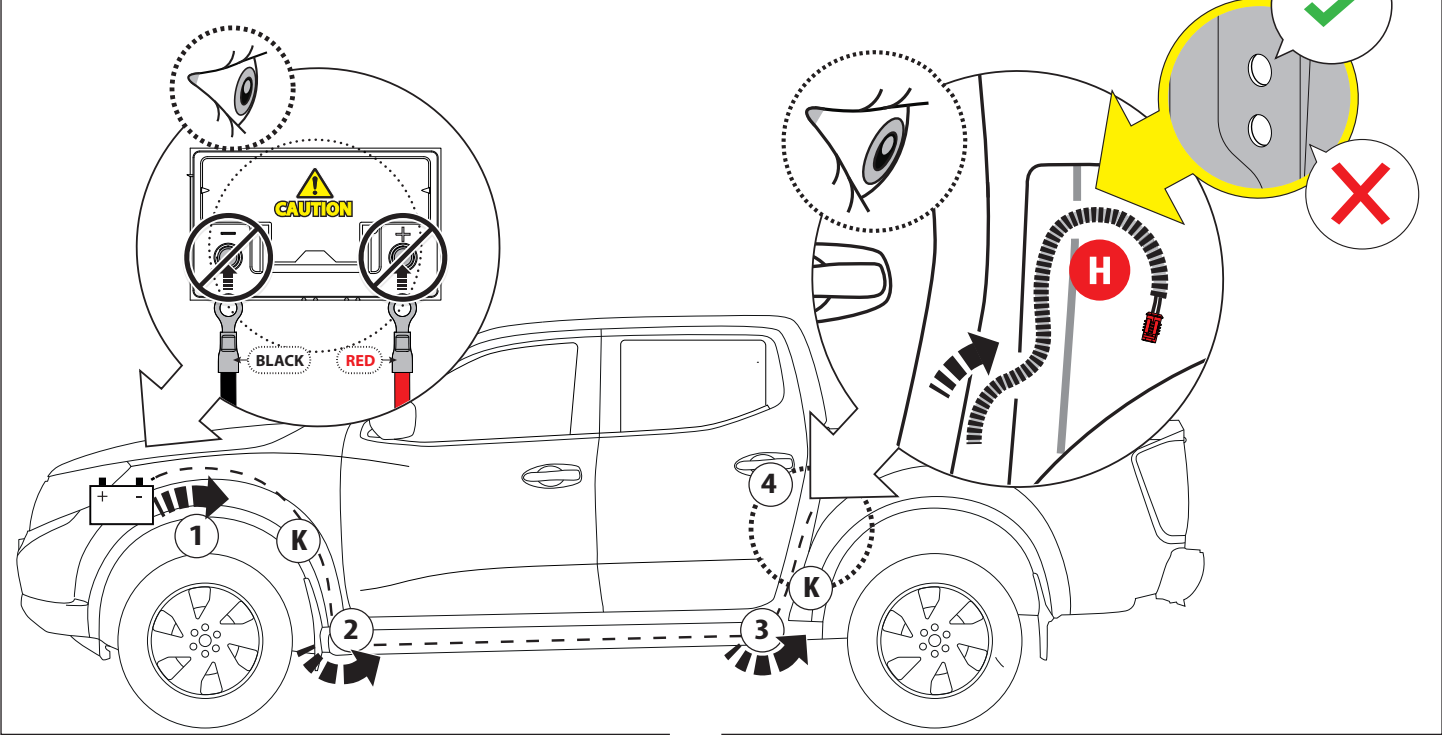
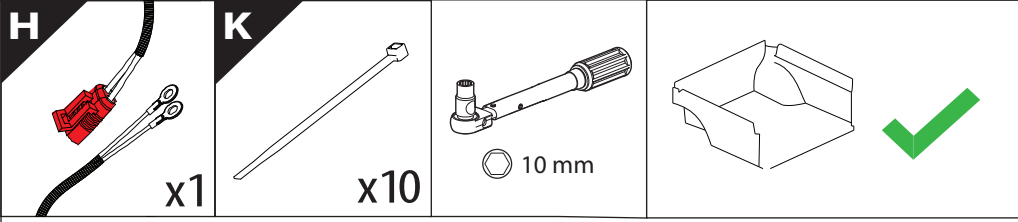


17

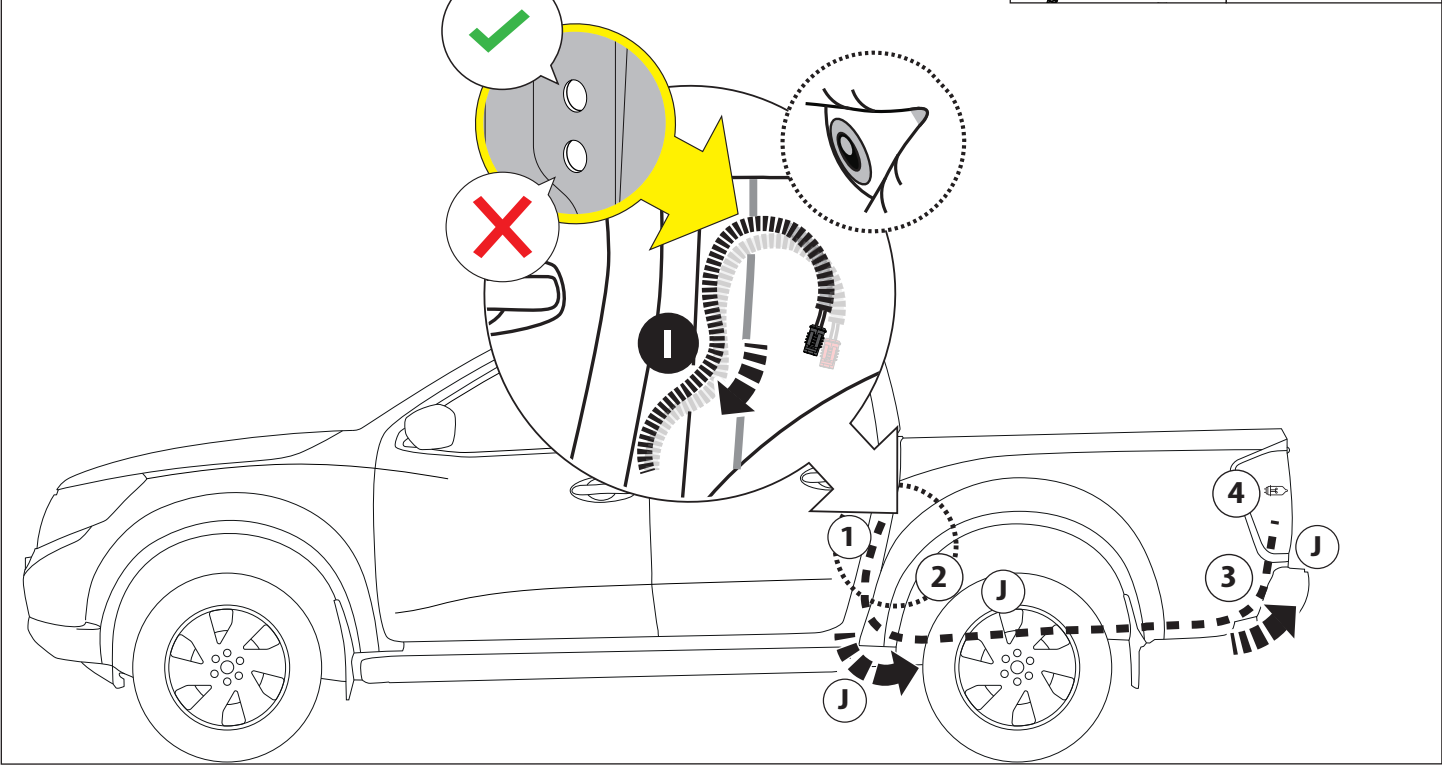
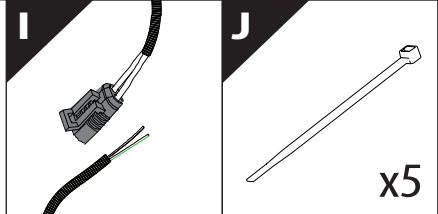


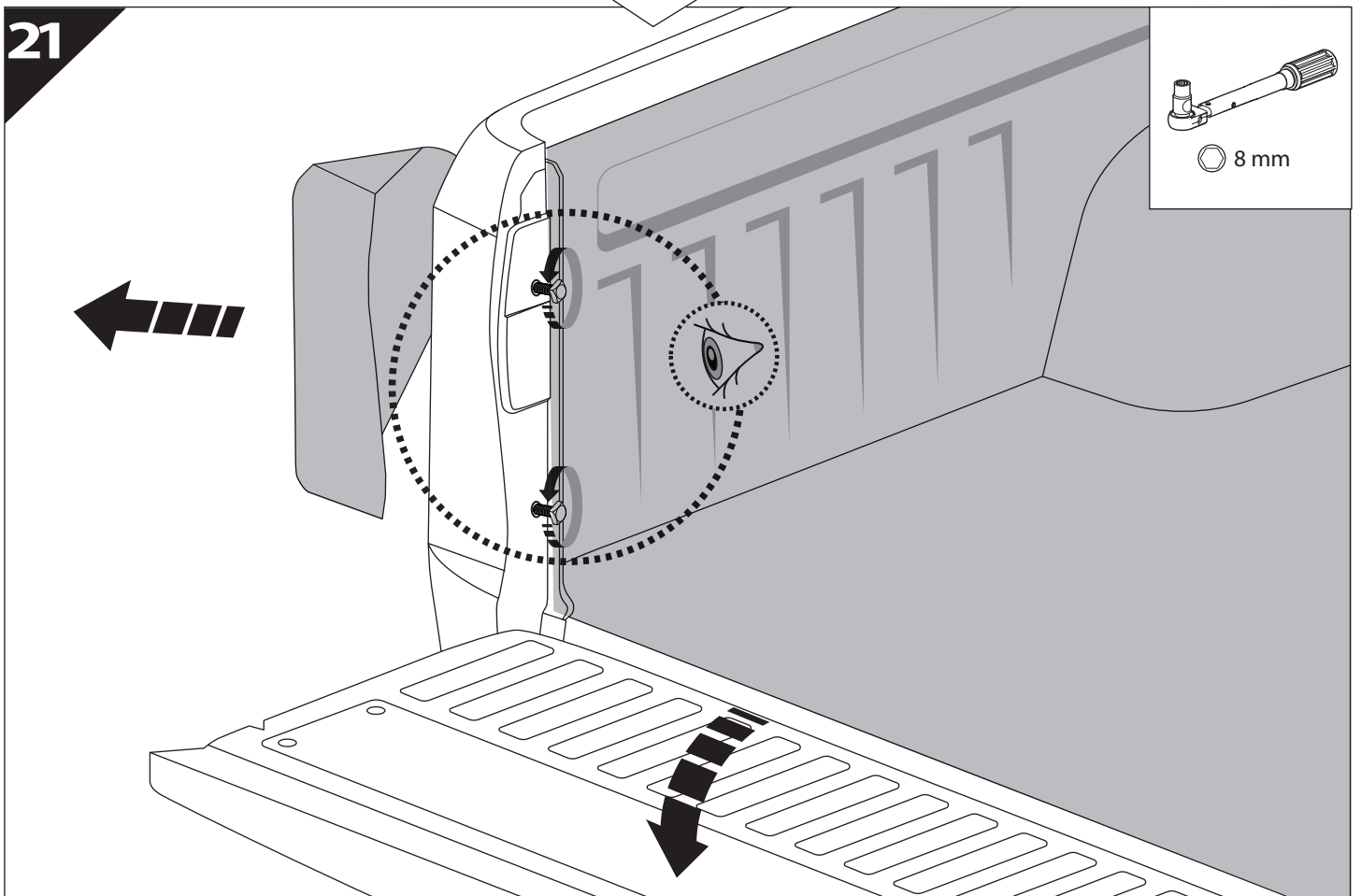
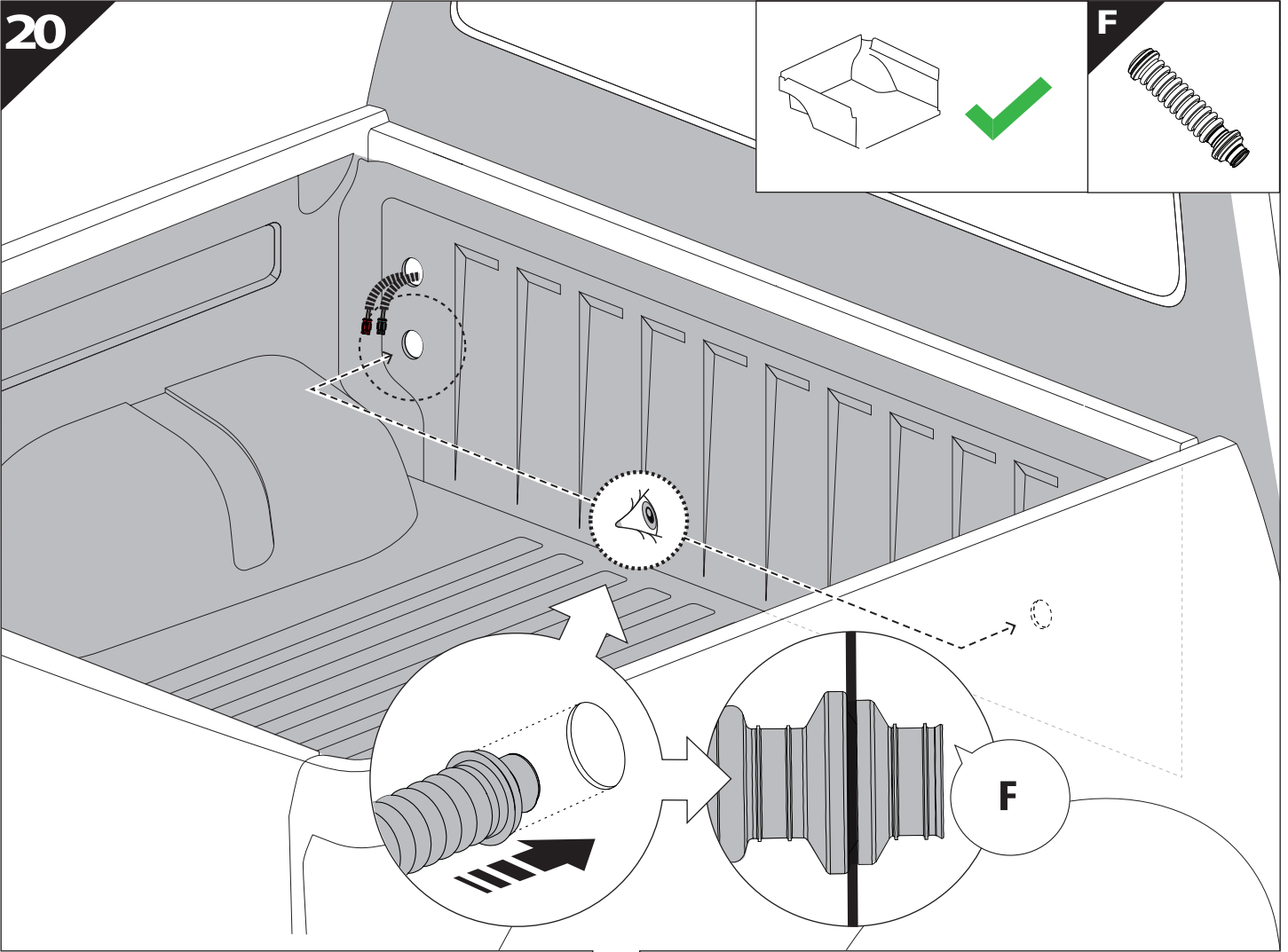
18

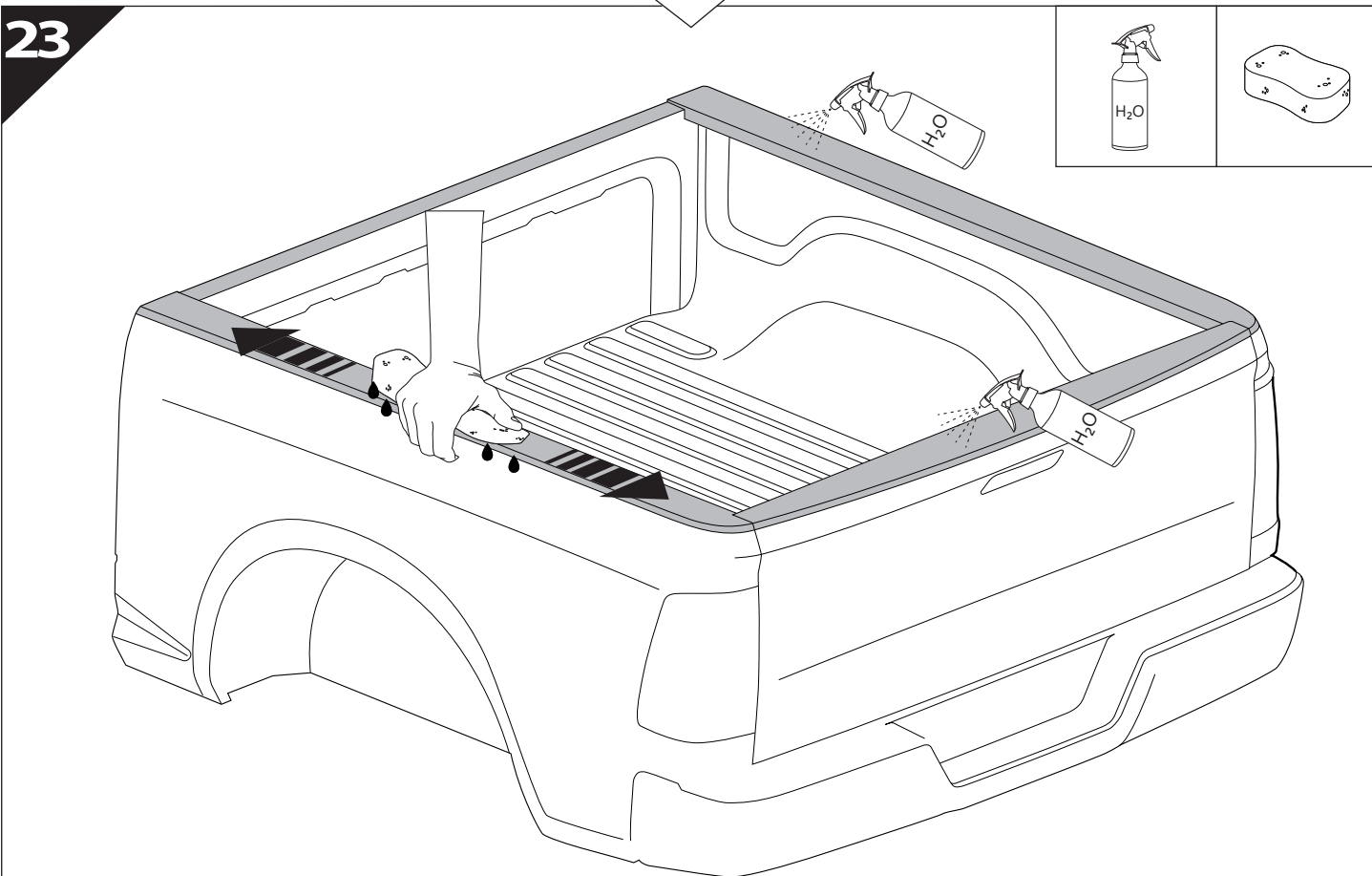
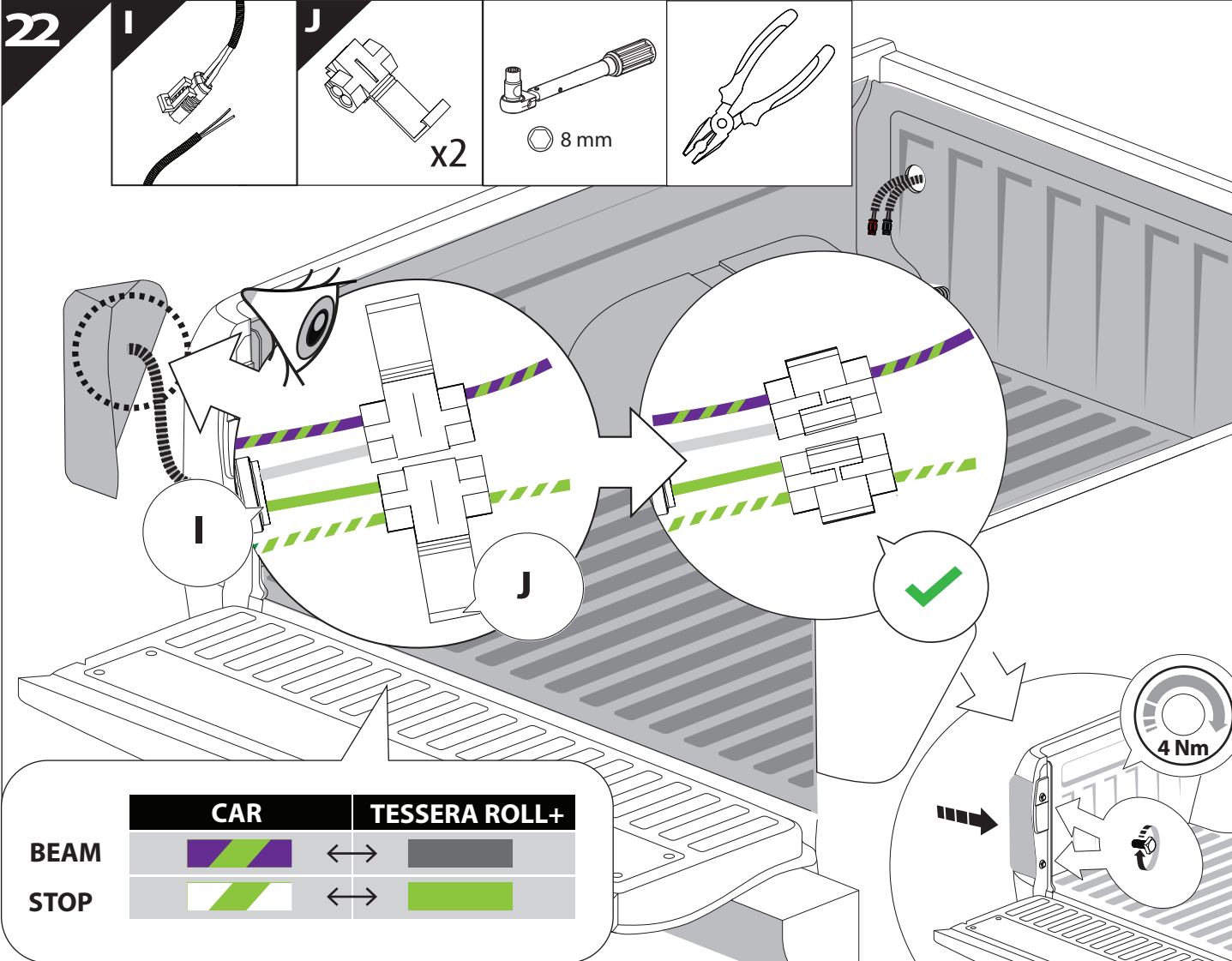
Only to be installed by authorized personnel

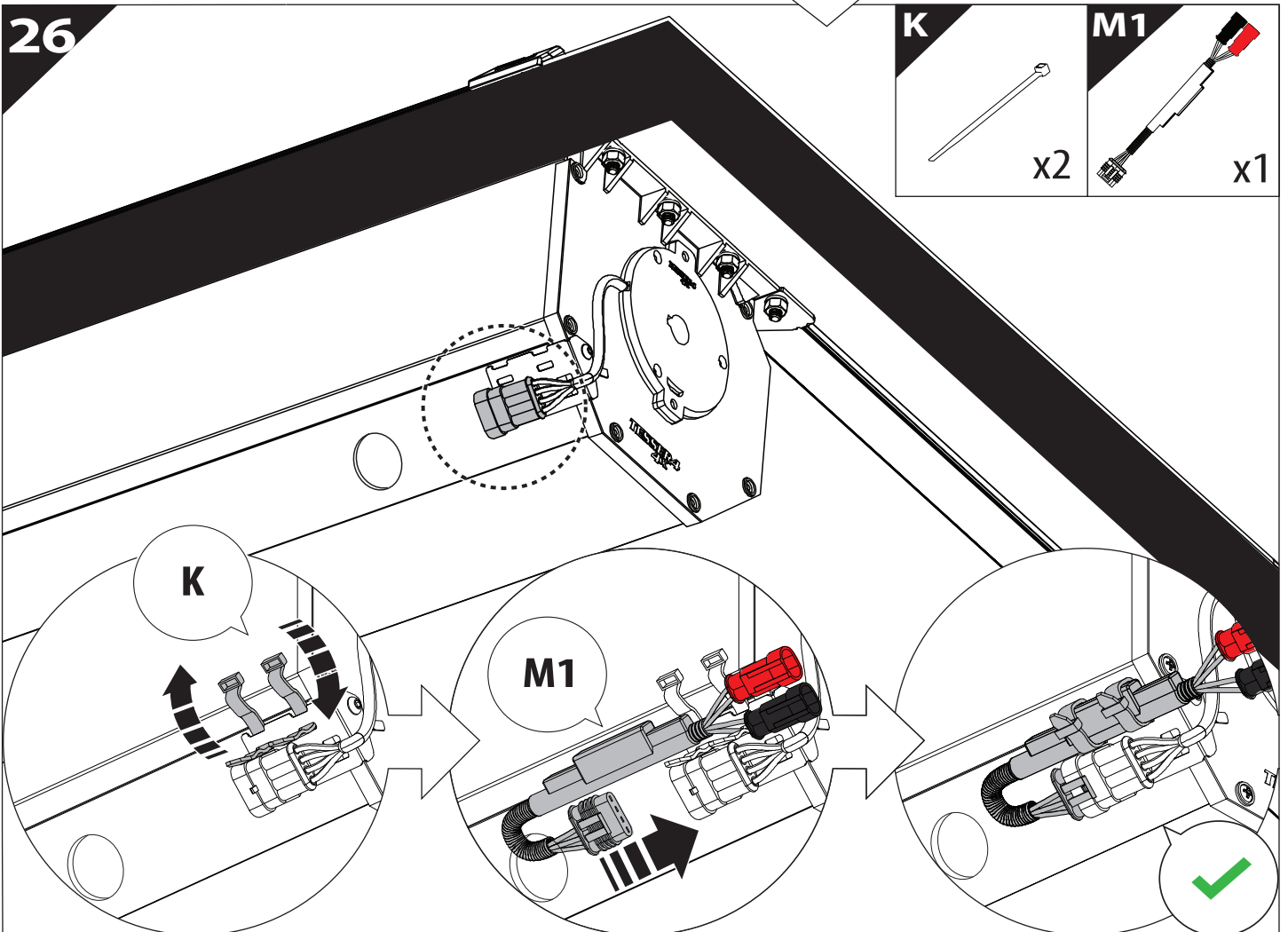
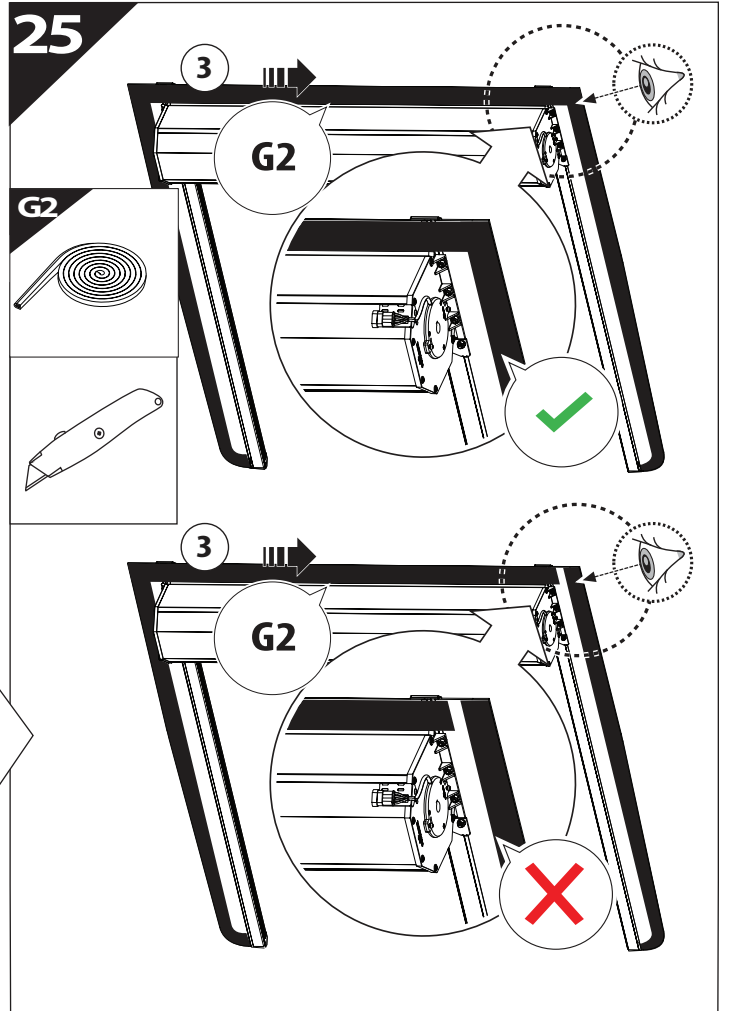
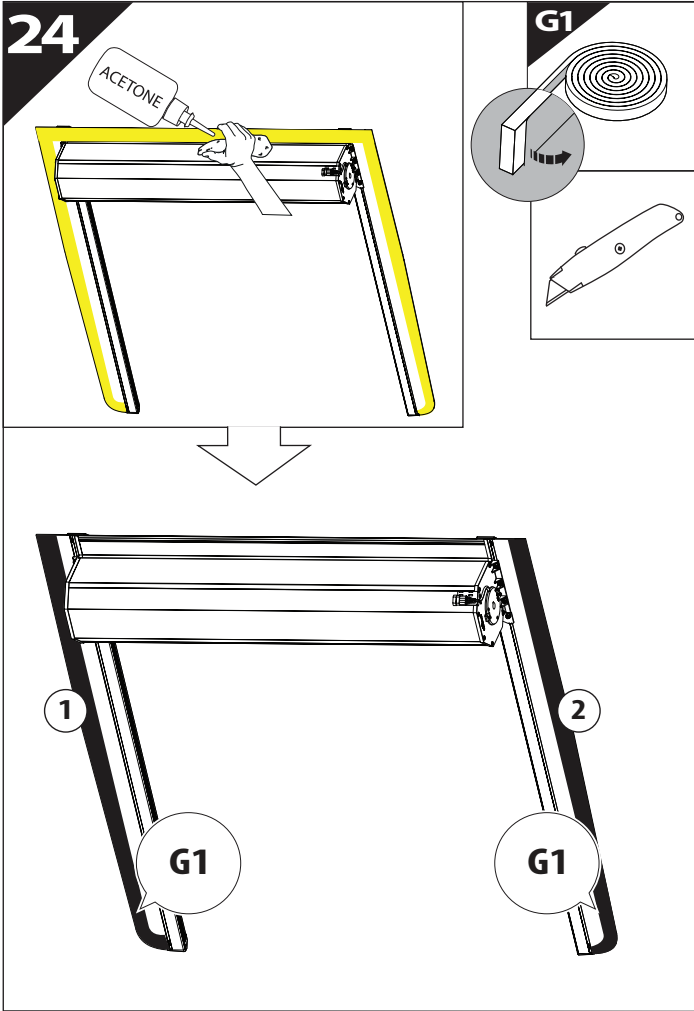


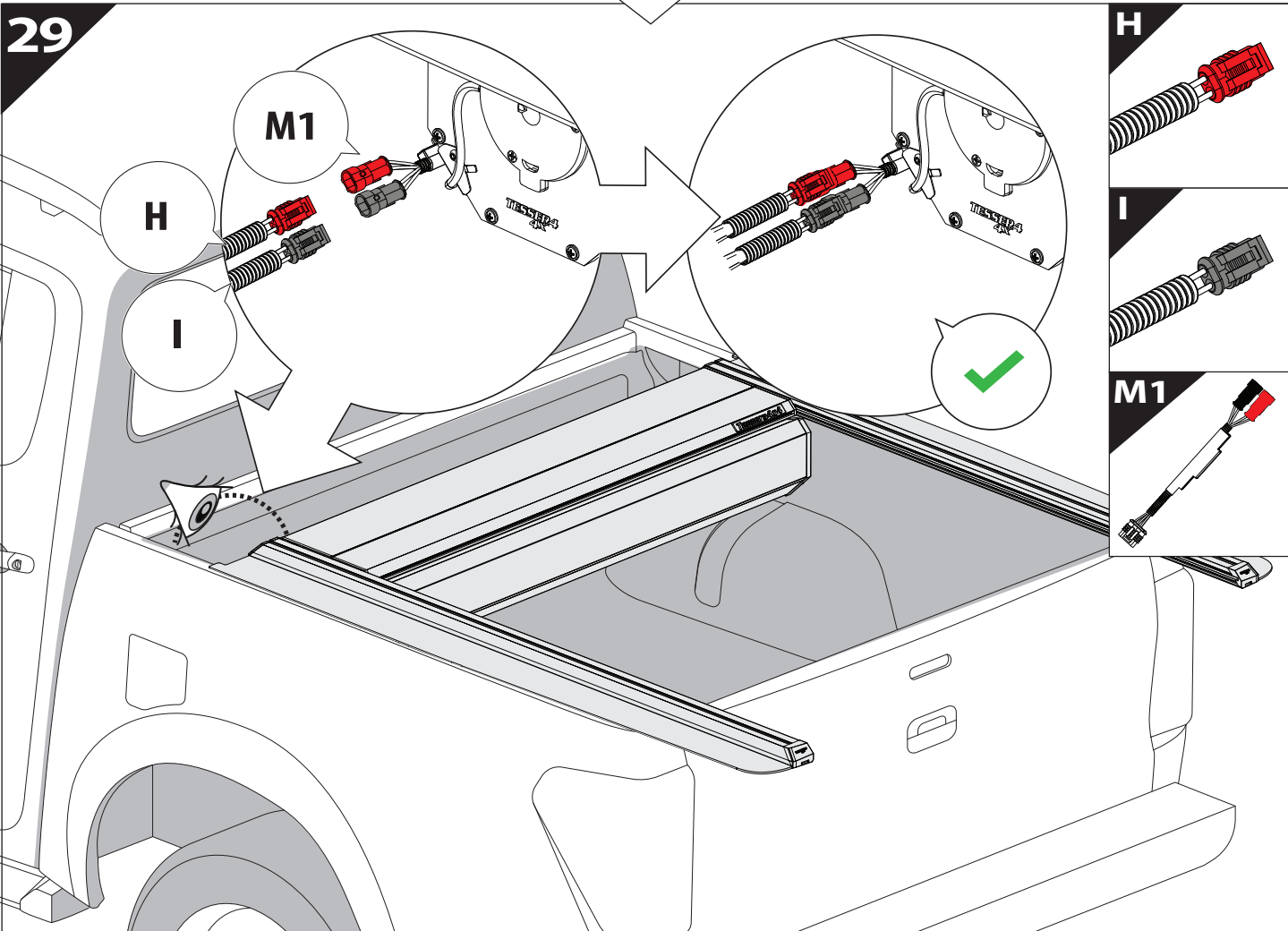
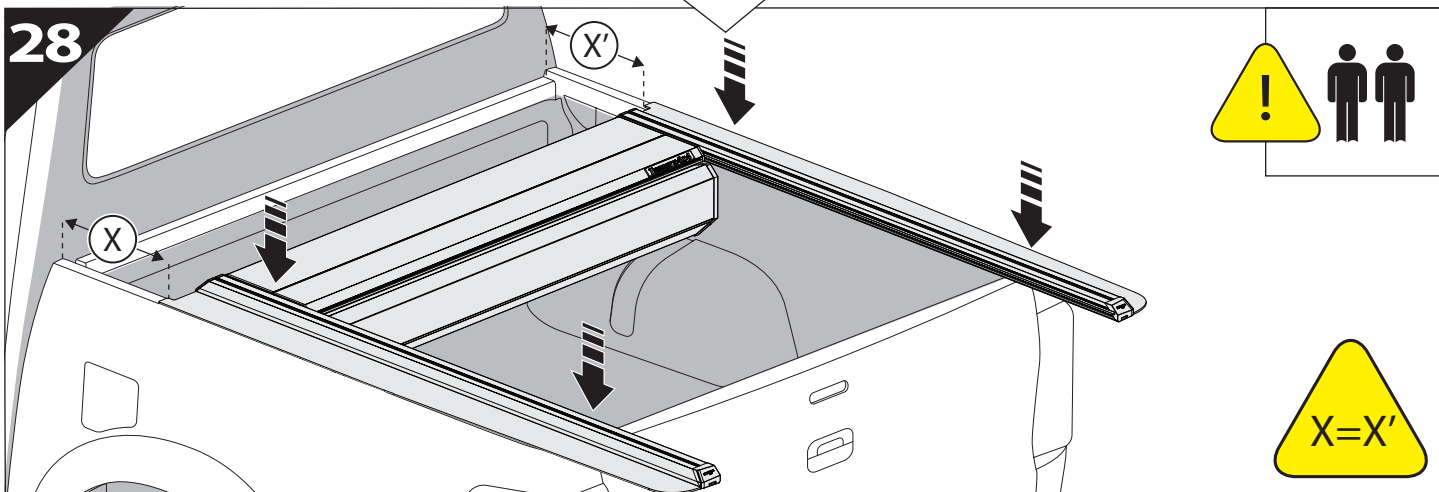
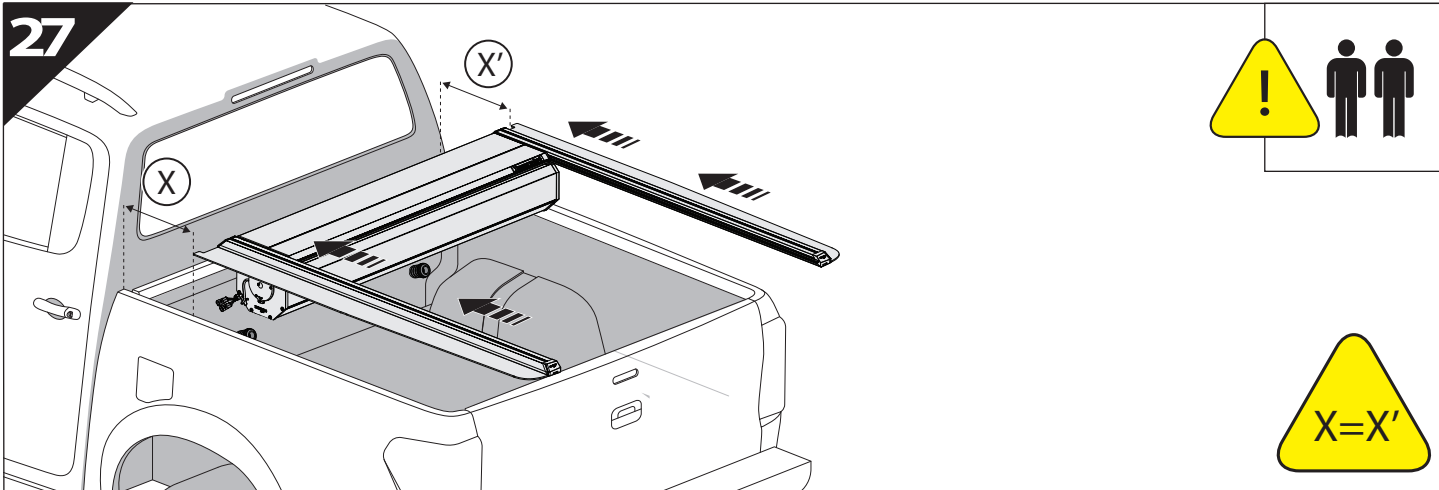
19

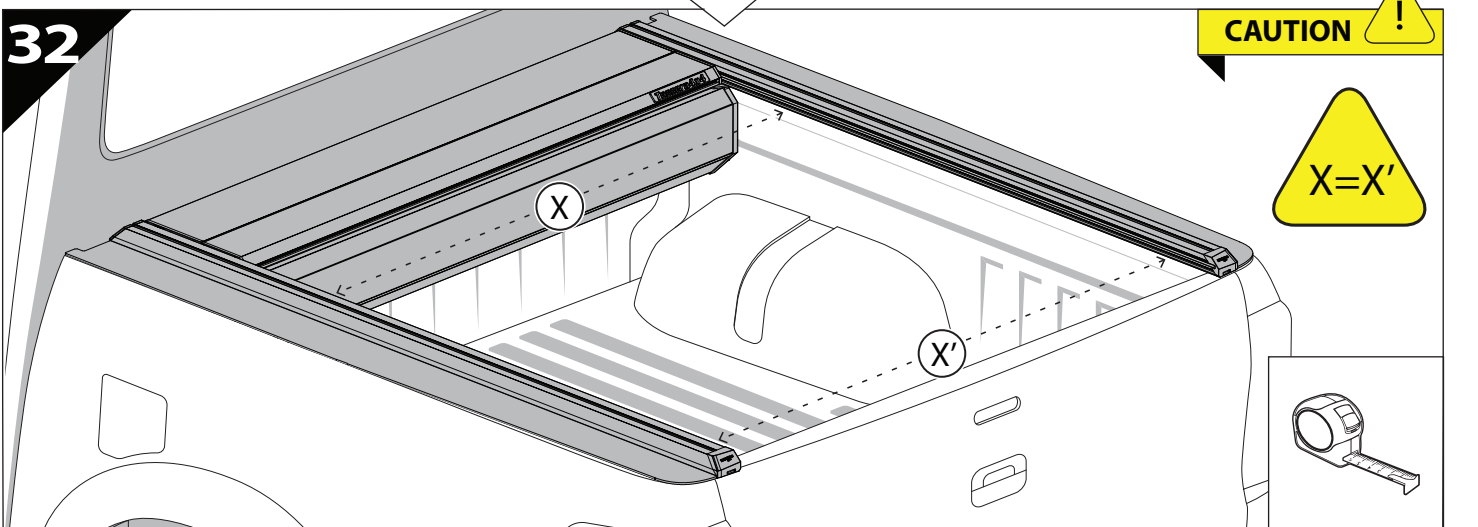
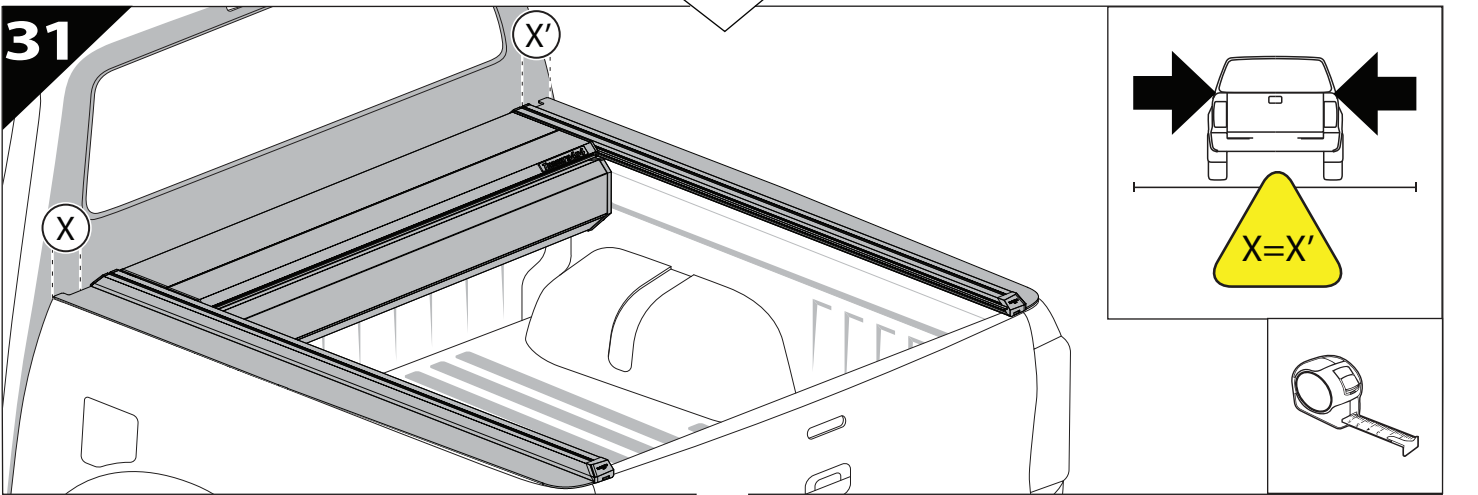
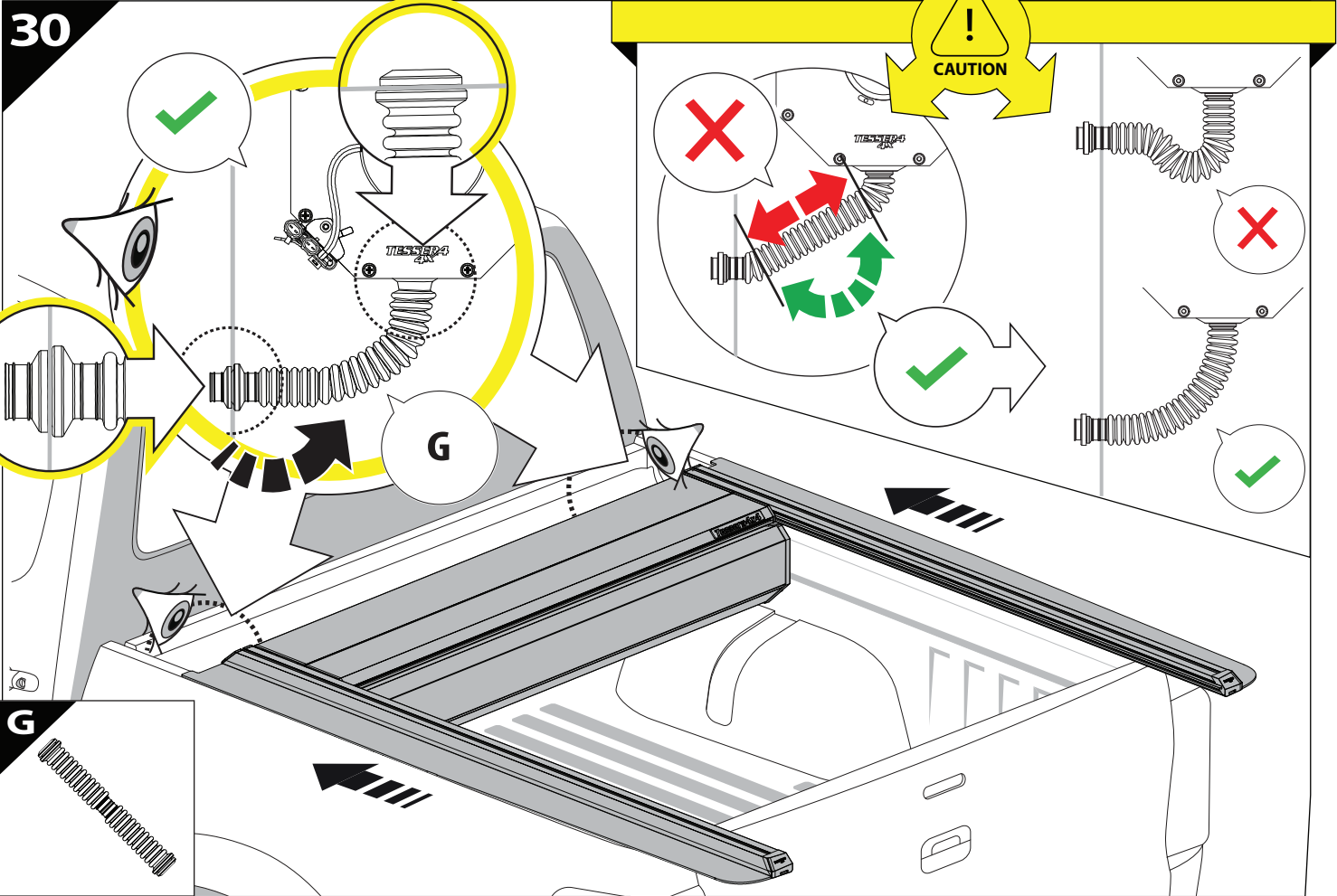


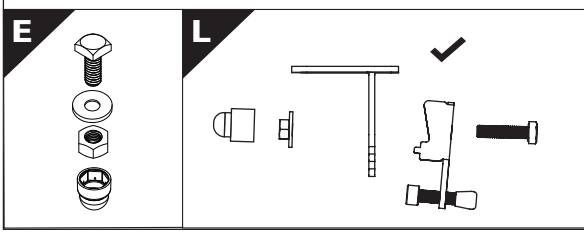
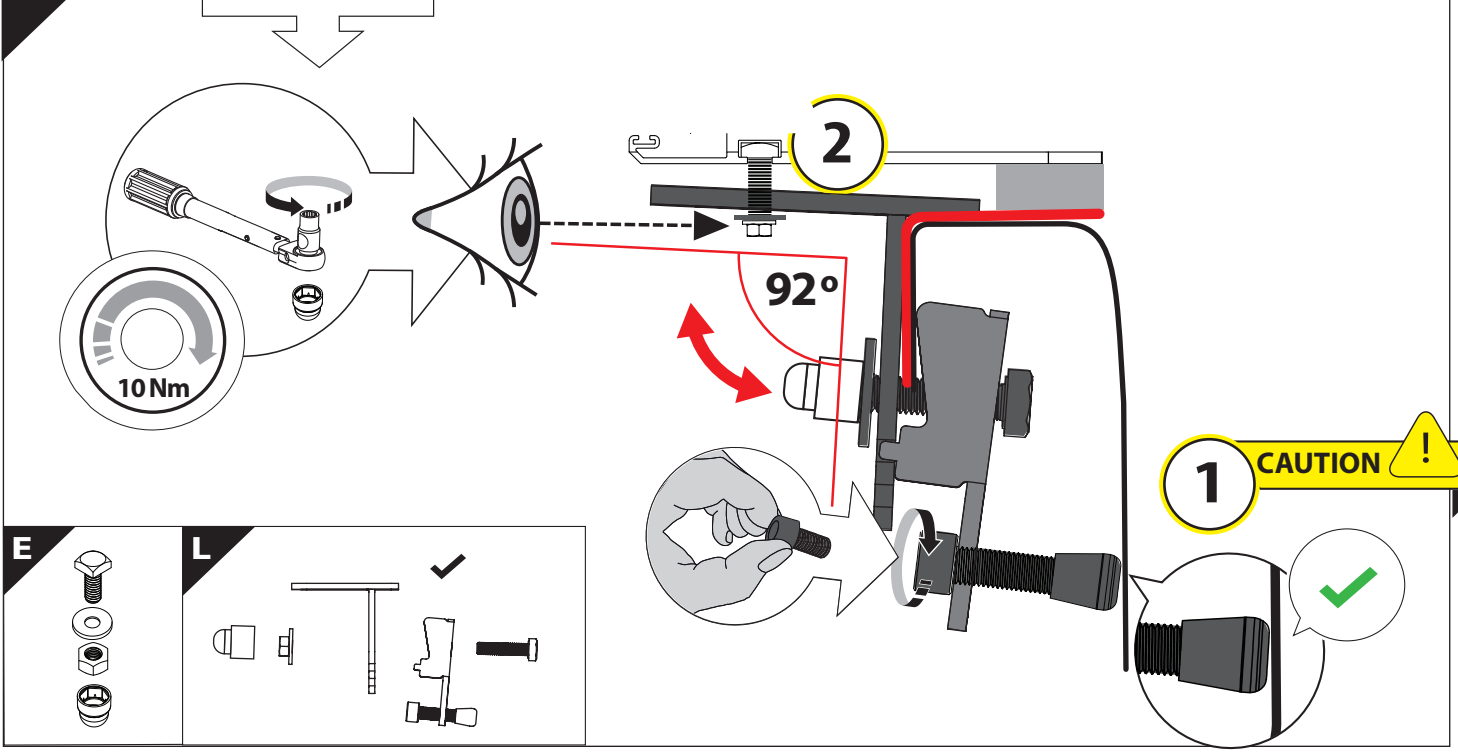
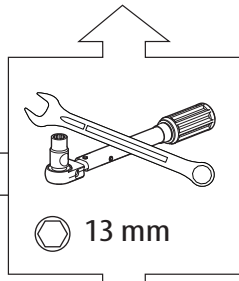
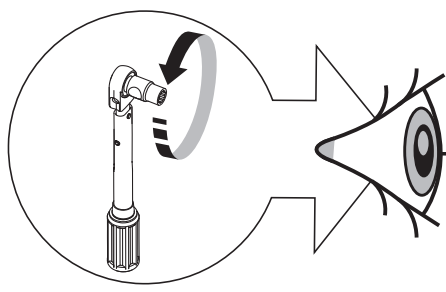
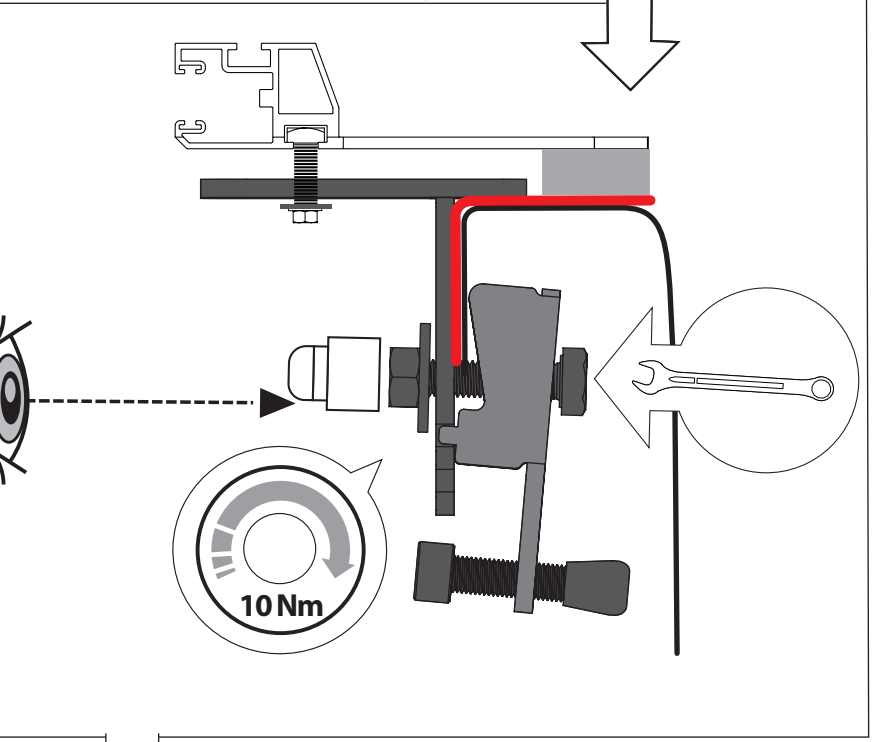
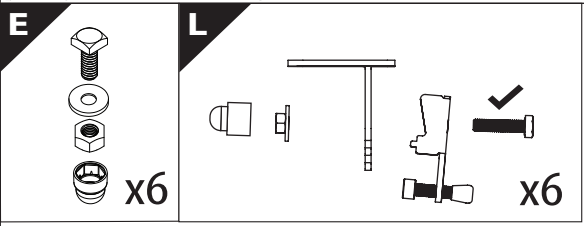
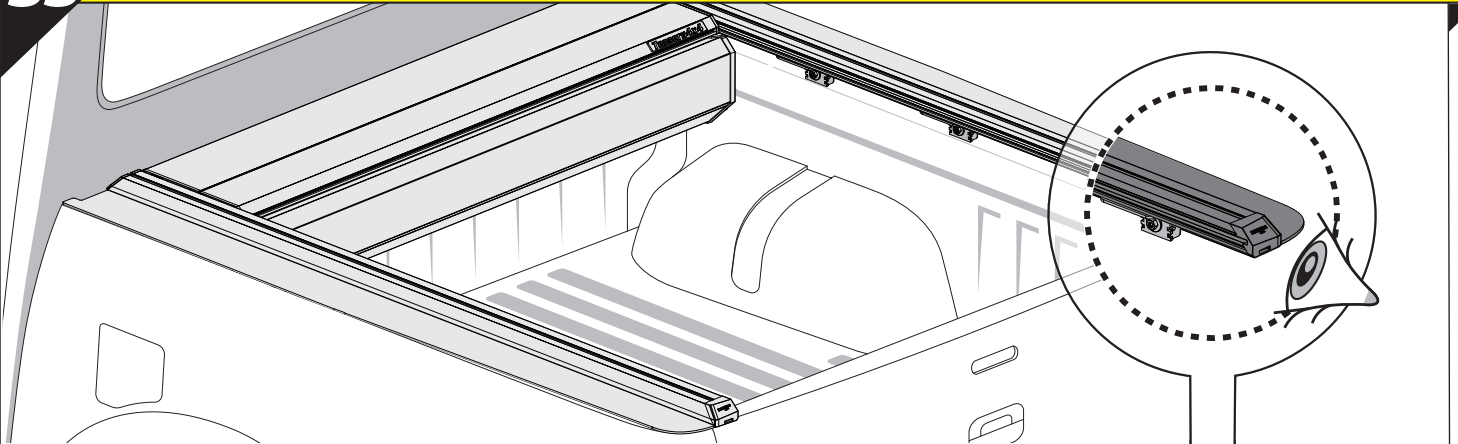


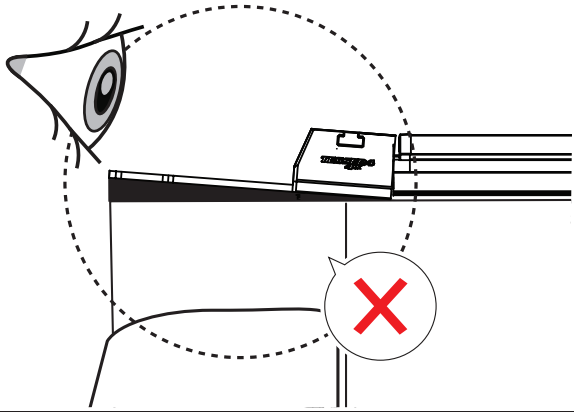
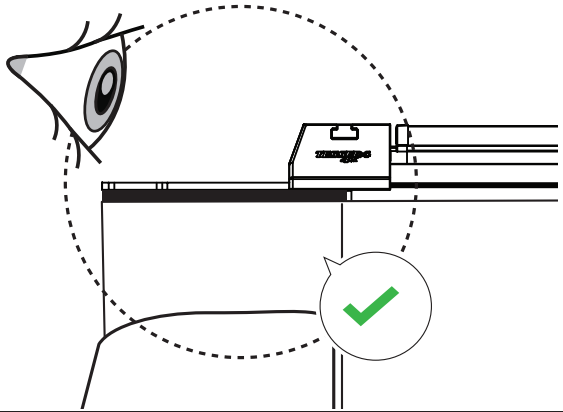
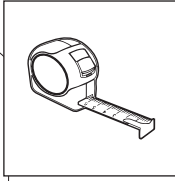
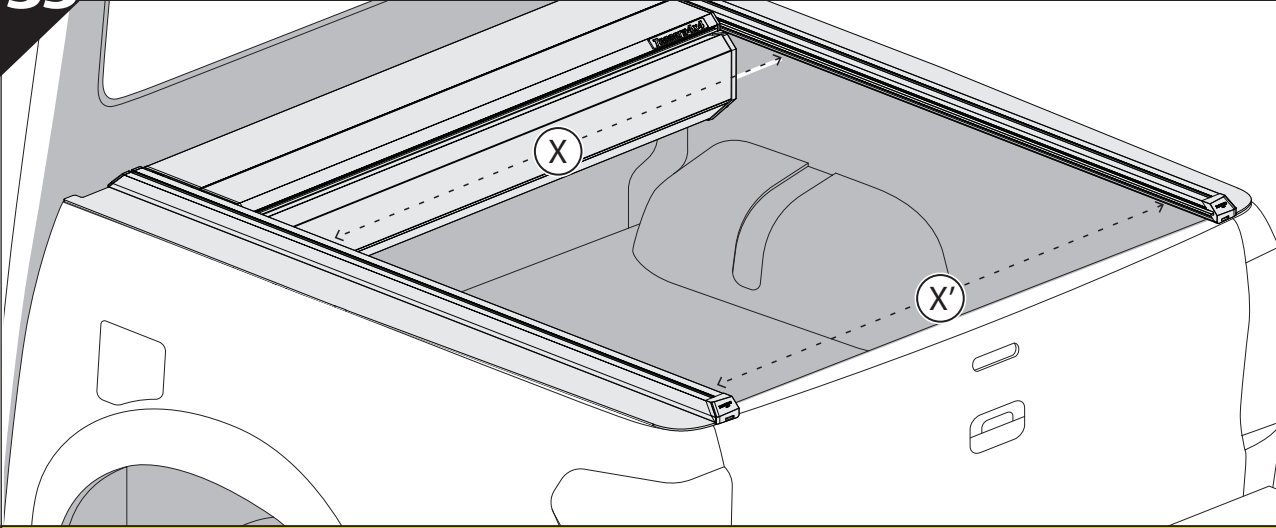




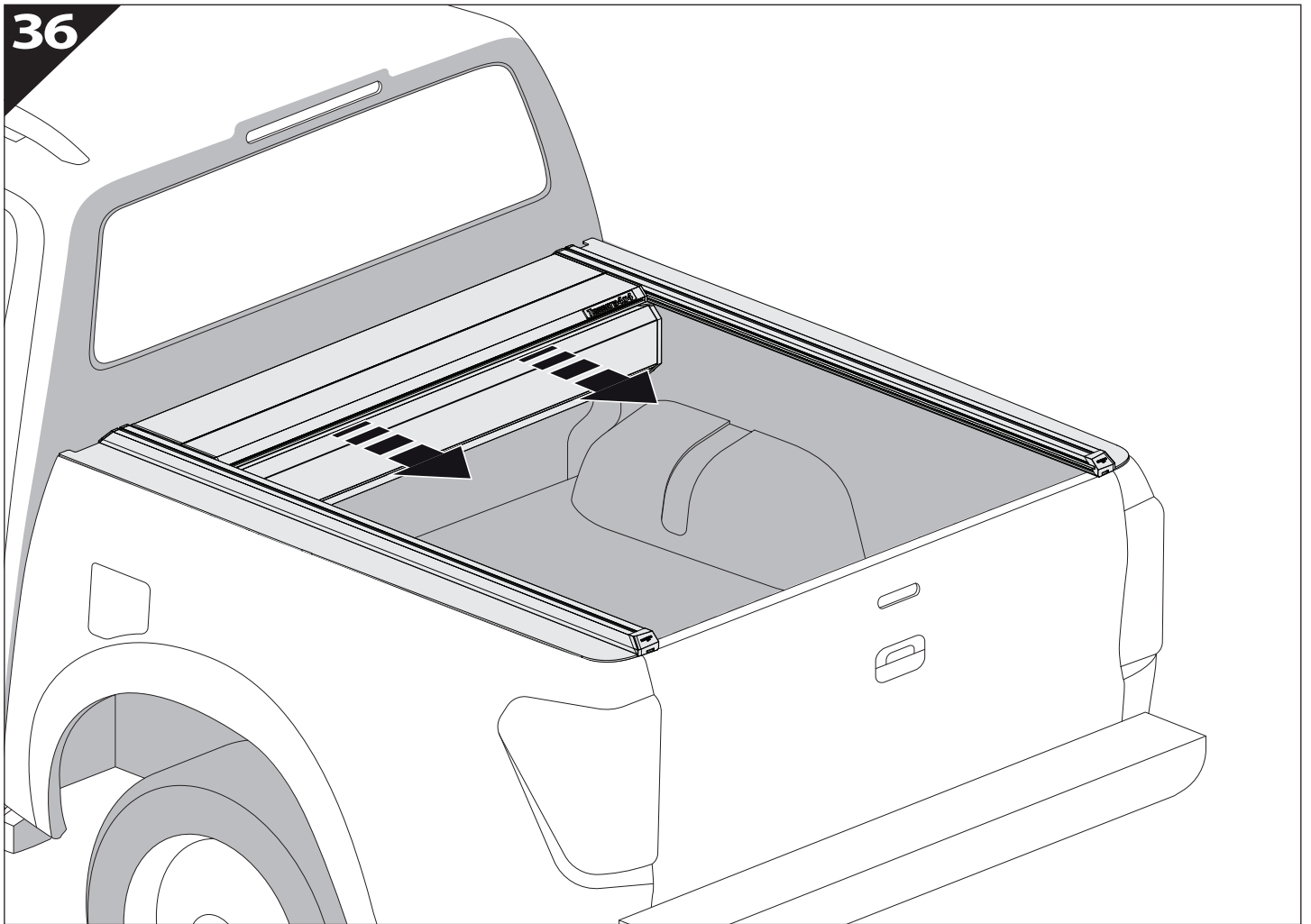




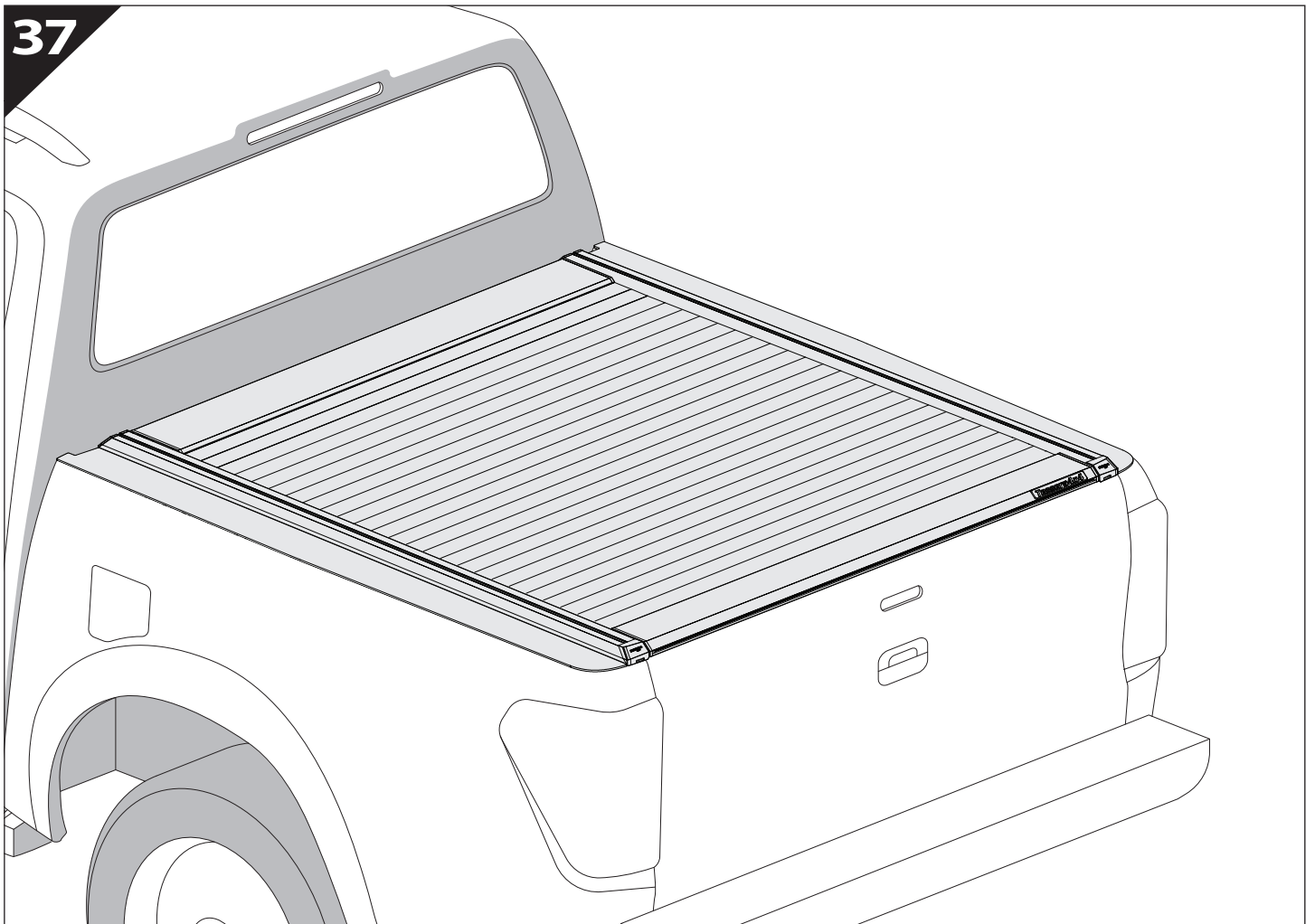




36



37





**GR:** Οδηγίες Εγκατάστασης  
**GB:** Installation manual  
**SF:** Asennusohje  
**F:** Notice de montage  
**PL:** Instrukcja montażu  
**NL:** Installatie-instructies  
**TR:** Montaj Talimatı  
**S:** Monteringsanvisning  
**E:** Instrucciones de montaje

**H:** Szerelési utasítás  
**P:** Instruções de instalação  
**RUS:** Инструкция по установке  
**N:** Monteringsveiledning  
**D:** Einbauanleitung  
**CZ:** Návod k instalaci  
**I:** Istruzioni de montaggio  
**DK:** Monteringsvejledning  
**RO:** Instructiuni de instalare

Customer Service:

+30 (210) 5541161, +30 (210) 5541154 (08:00 - 16:00 EET)

Support department:

[info@gianso.gr](mailto:info@gianso.gr)

Website:

[www.tessera4x4.com](http://www.tessera4x4.com)

Address:

19.5 km of National road Athens-Korinthos (Elefsina) Greece, P.C: 19200