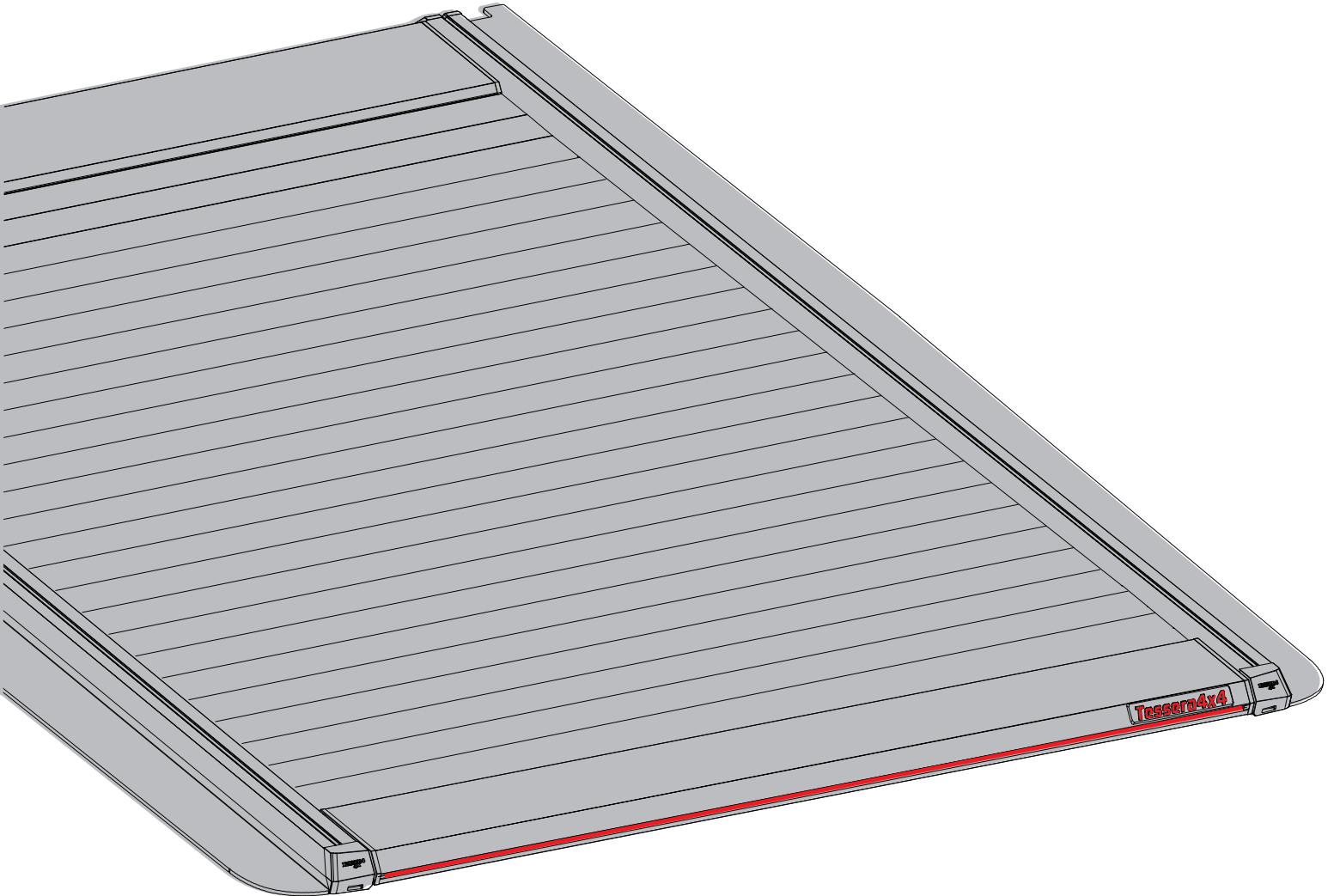


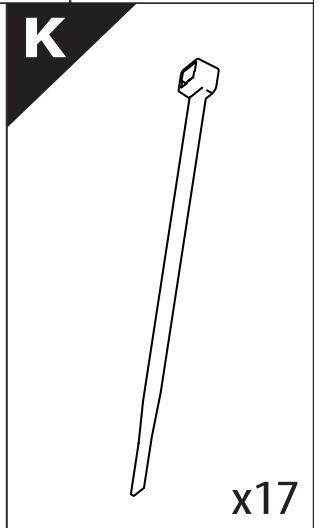
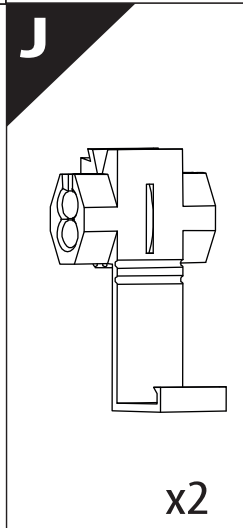
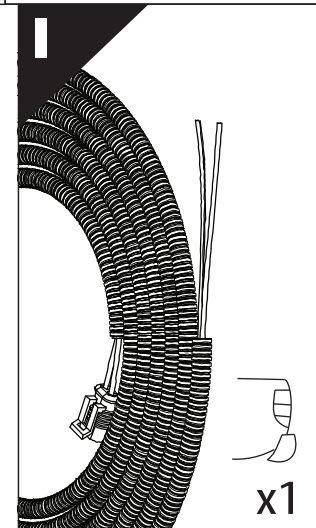
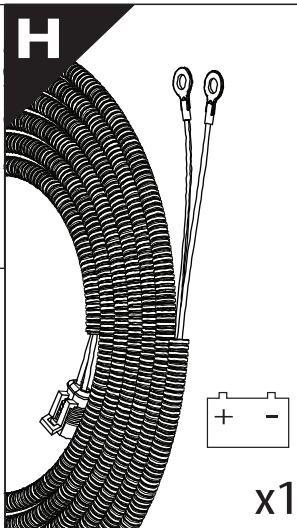
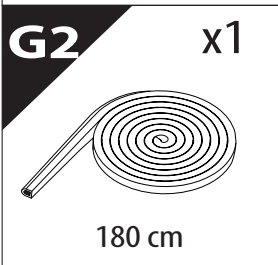
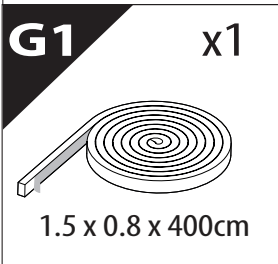
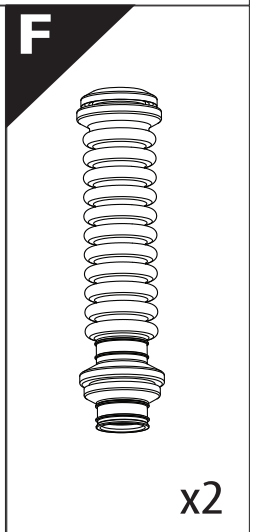
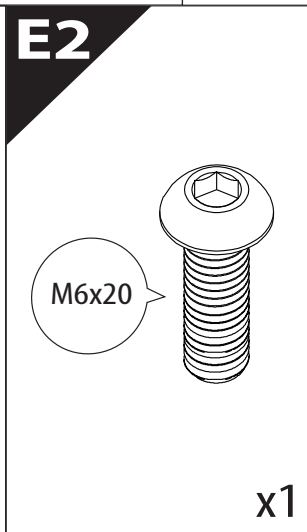
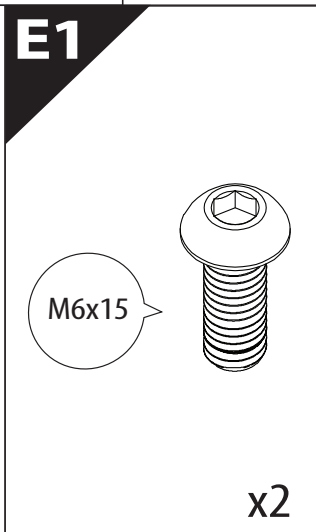
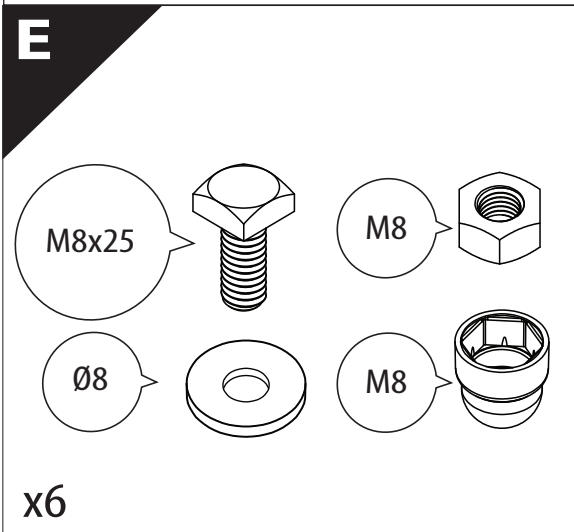
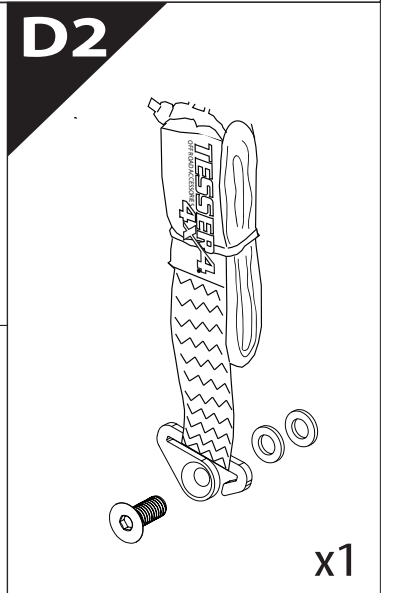
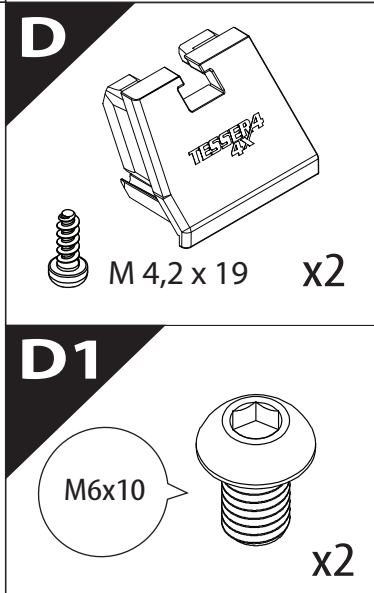
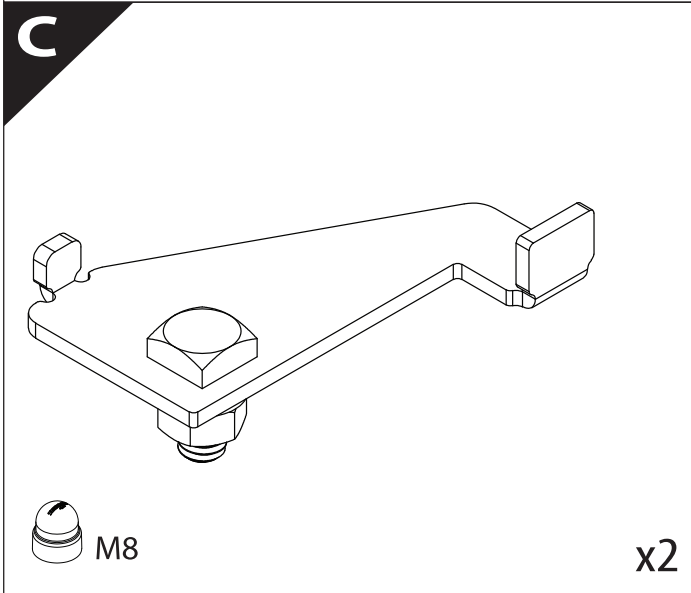
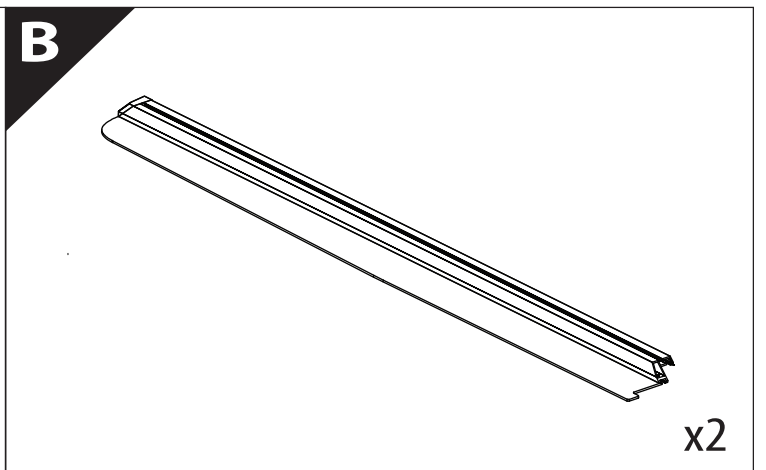
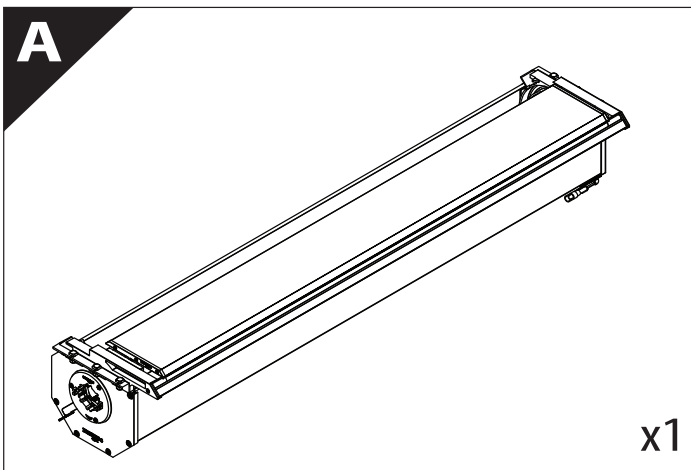
# Tessera Roll+

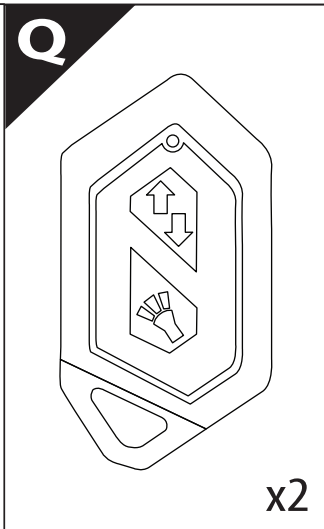
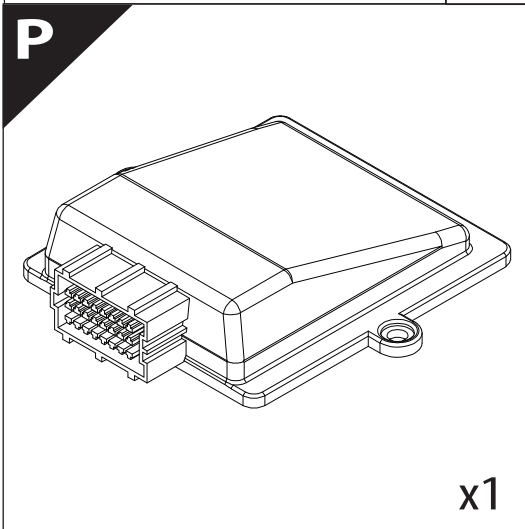
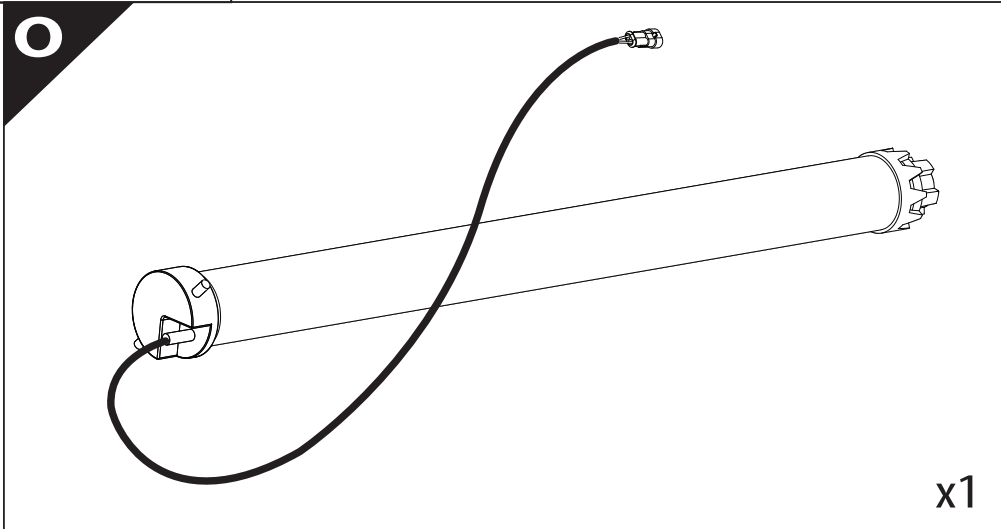
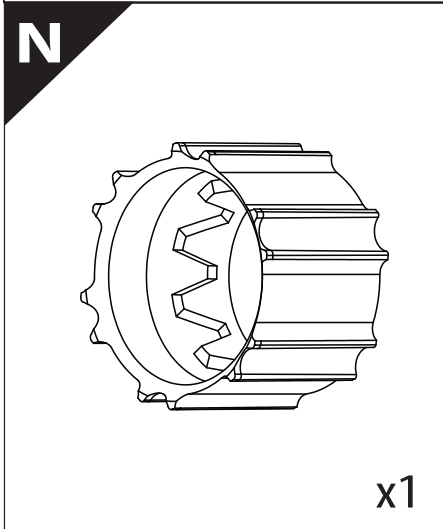
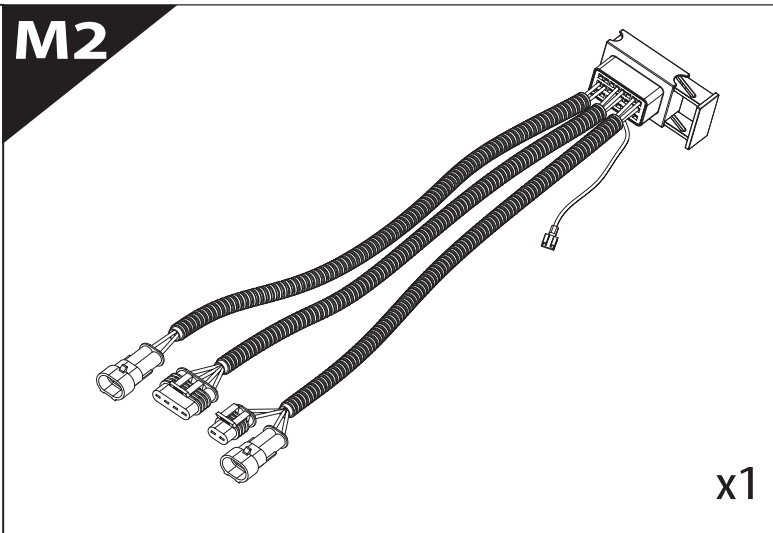
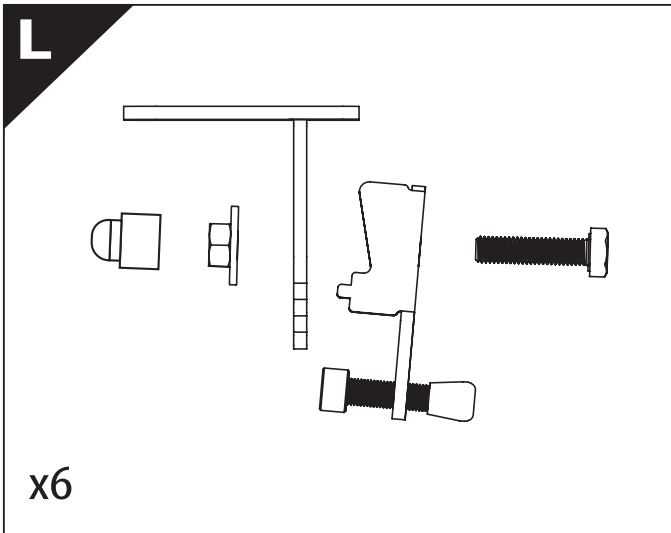
## Basic Version + ⚡ E-KIT

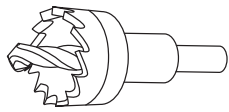


## Installation Manual

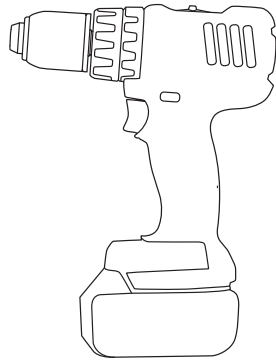
| PART NUMBER(S)        | Model Year                      |
|-----------------------|---------------------------------|
| TESS 14211 ROLL+E-KIT | Ford F-150 2015 -> 2020 & 2021+ |
| TESS 14212 ROLL+E-KIT |                                 |
| Cab(s)                | Installation Time / Weight      |
| Double Cab            | 40-60 minutes / 53-57 kg        |







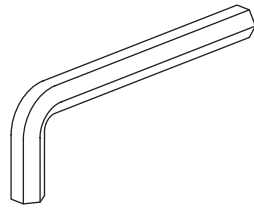
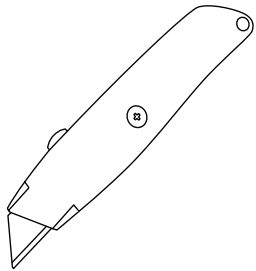
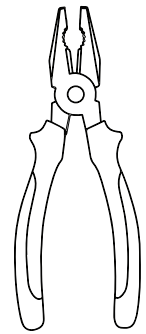
Ø 25 mm



+

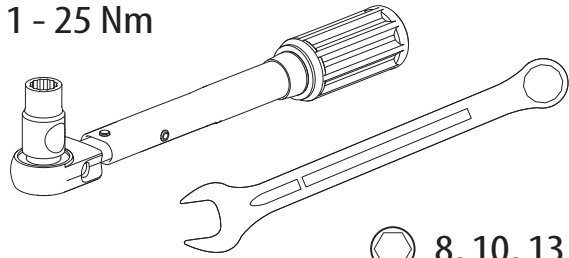


-



4 mm

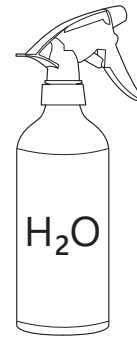
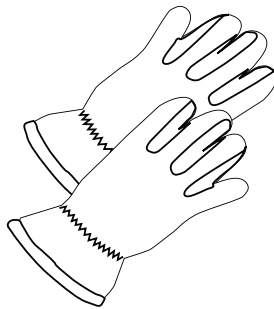
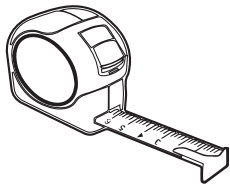
1 - 25 Nm



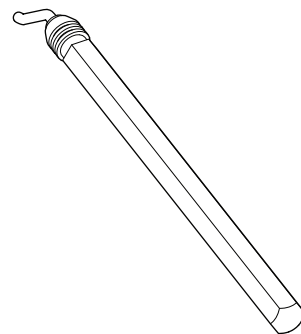
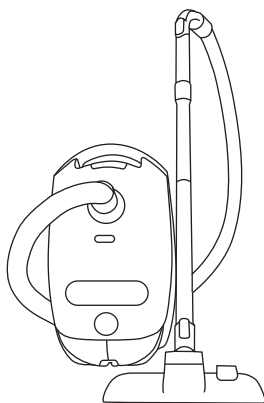
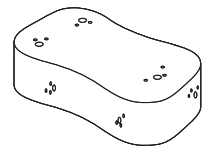
8, 10, 13 mm



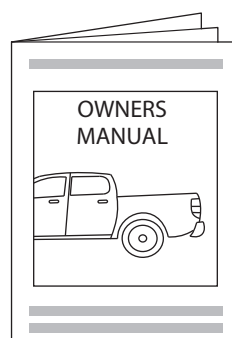
ACETONE



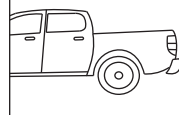
H<sub>2</sub>O



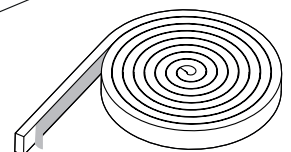
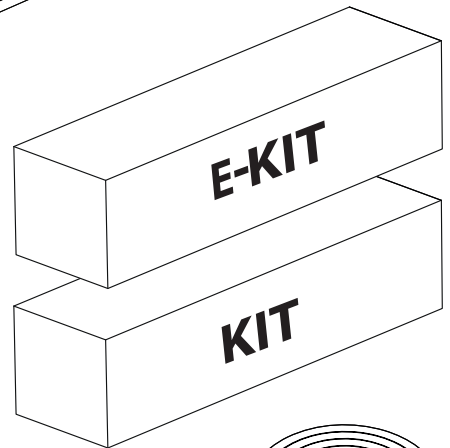
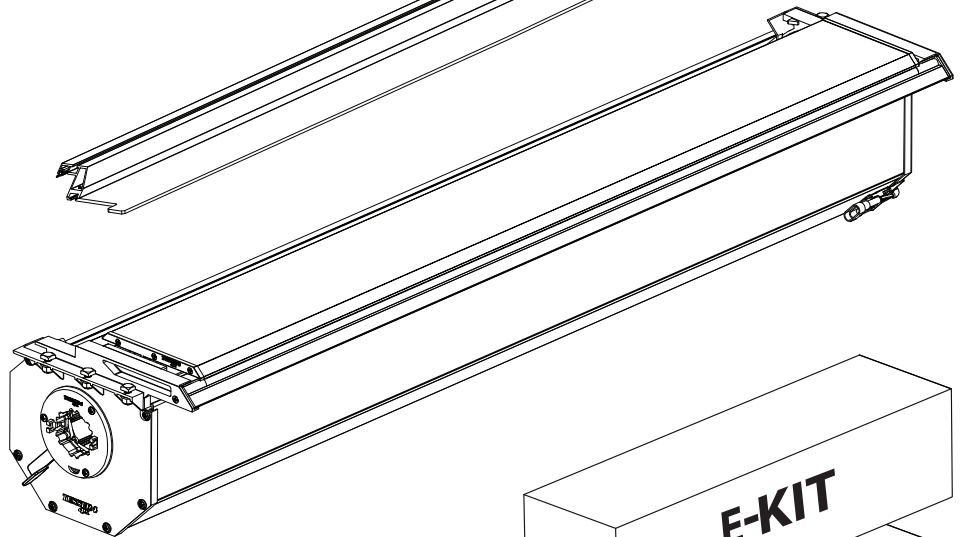
INSTALATION  
MANUAL  
+E-KIT



OWNERS  
MANUAL



x1

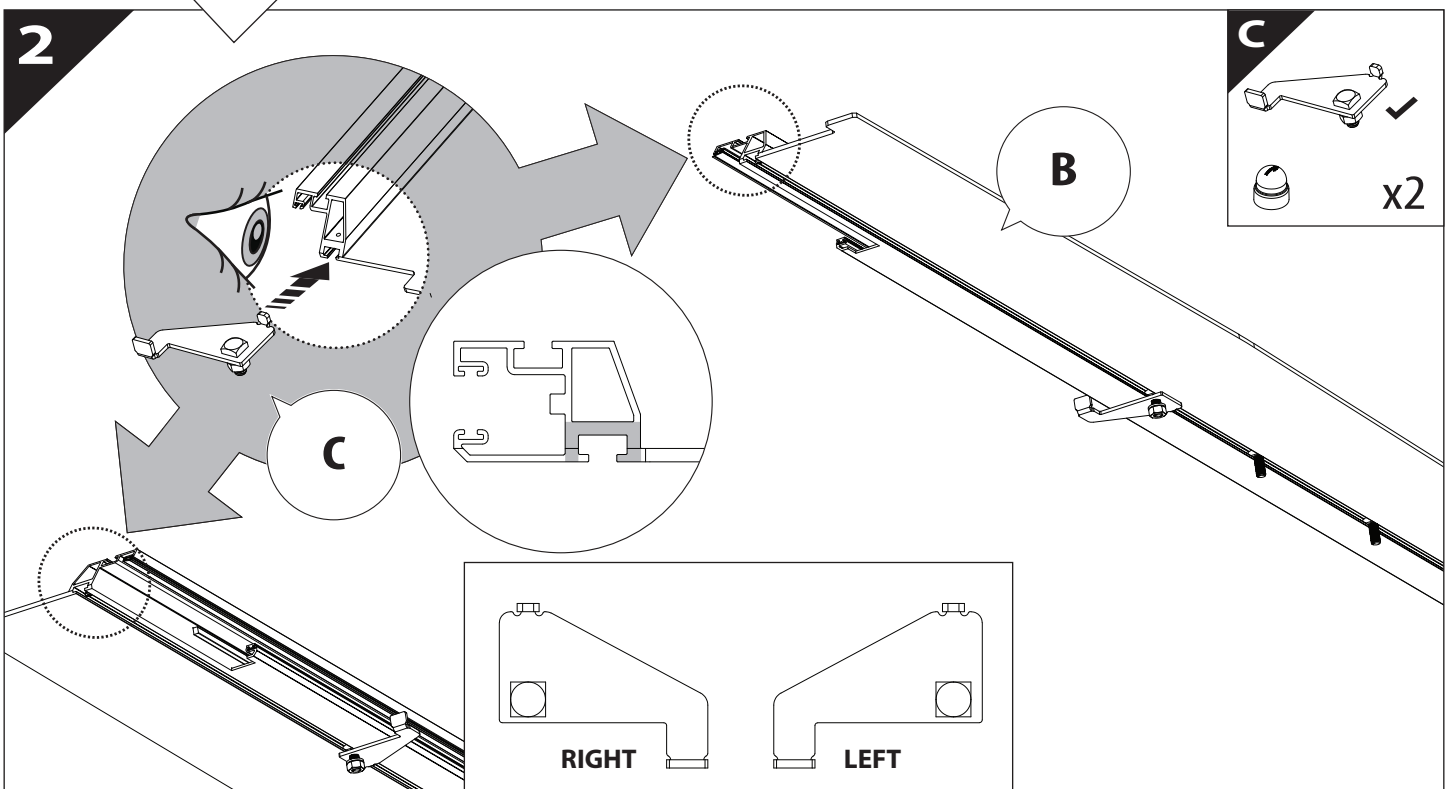
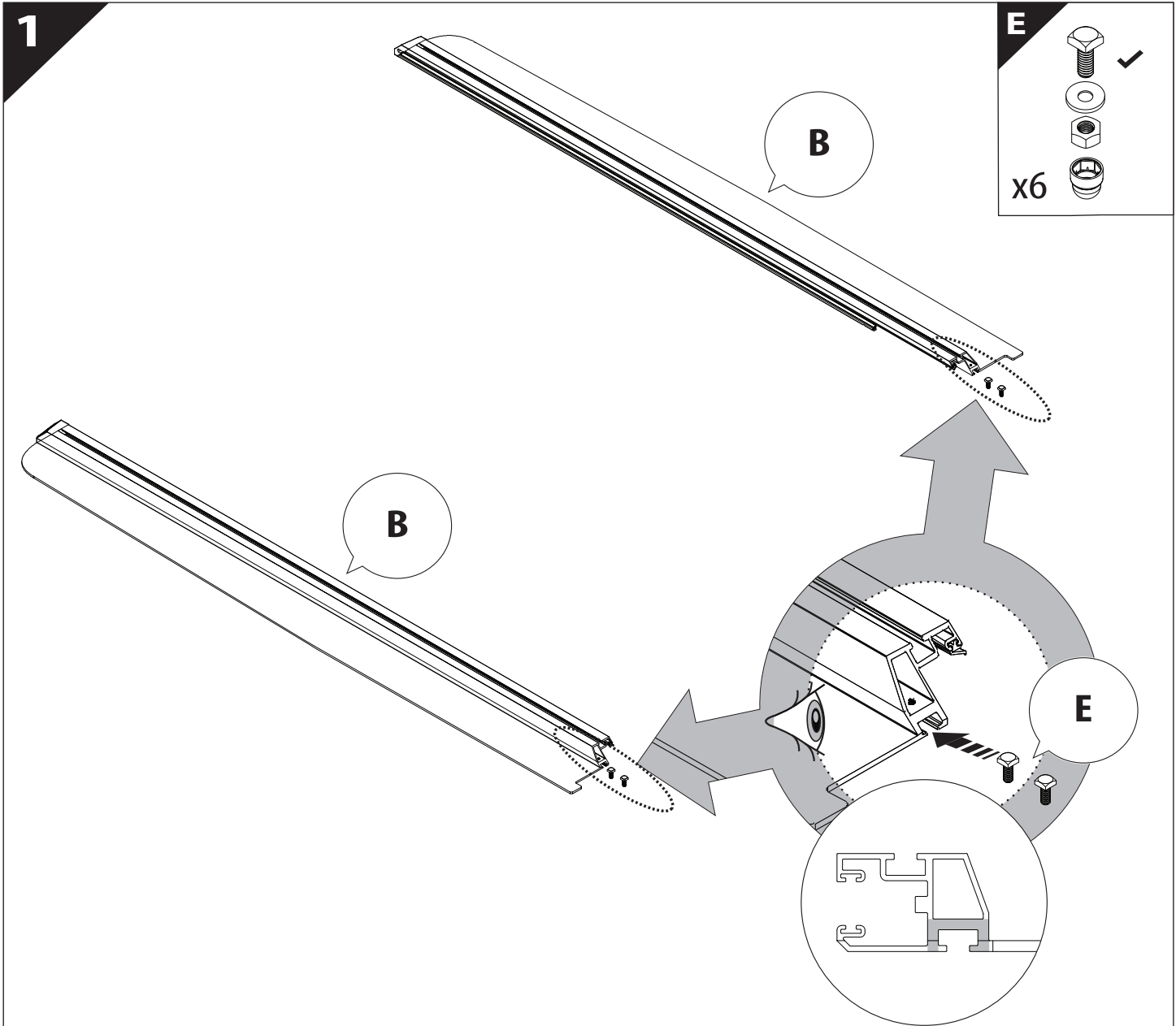


**B**

**A**

**KITS**

**G**

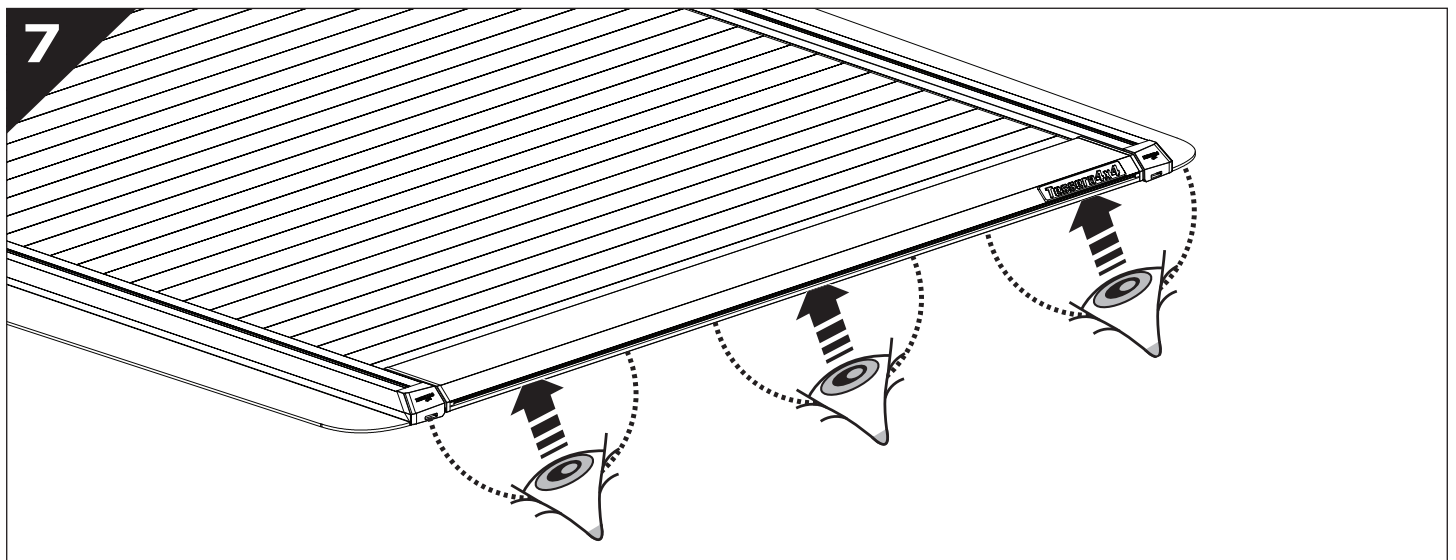
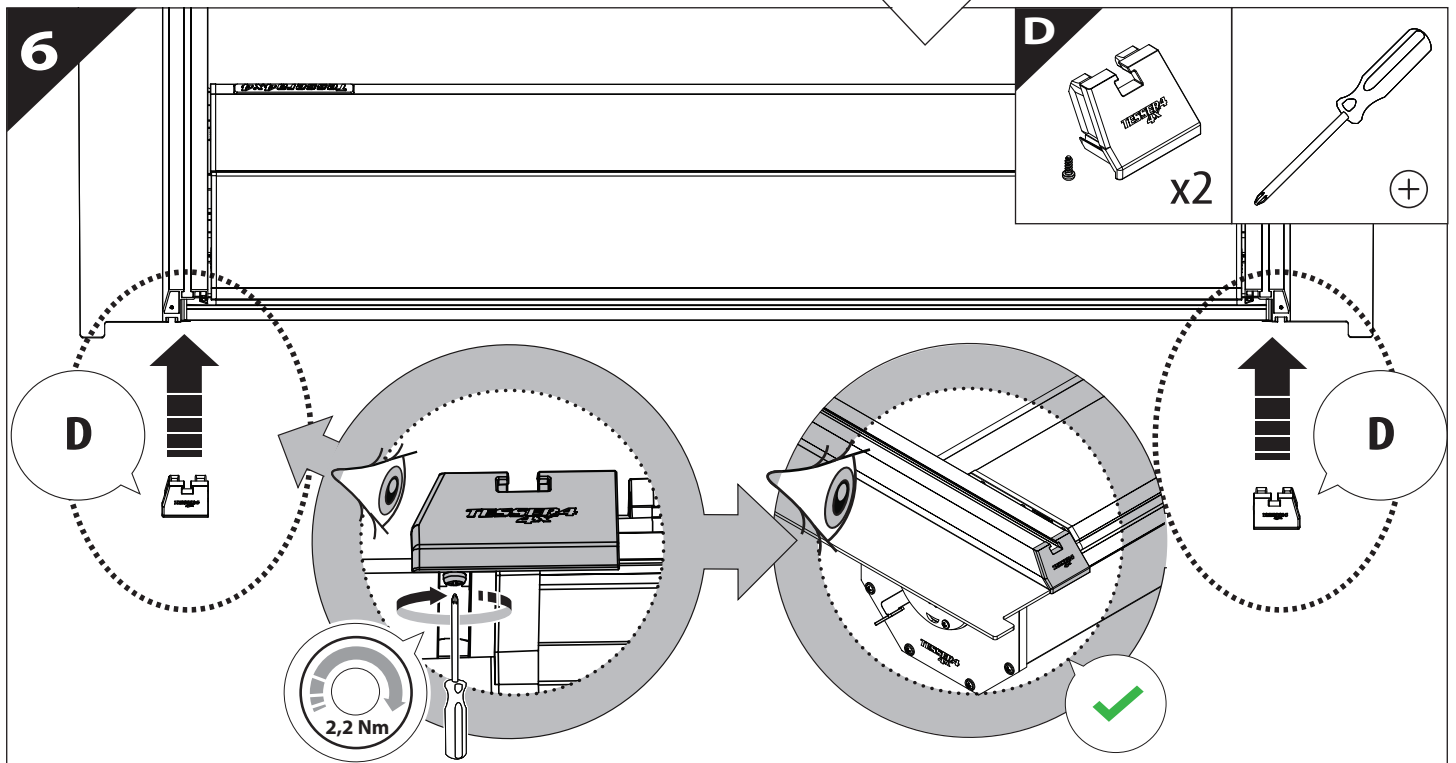
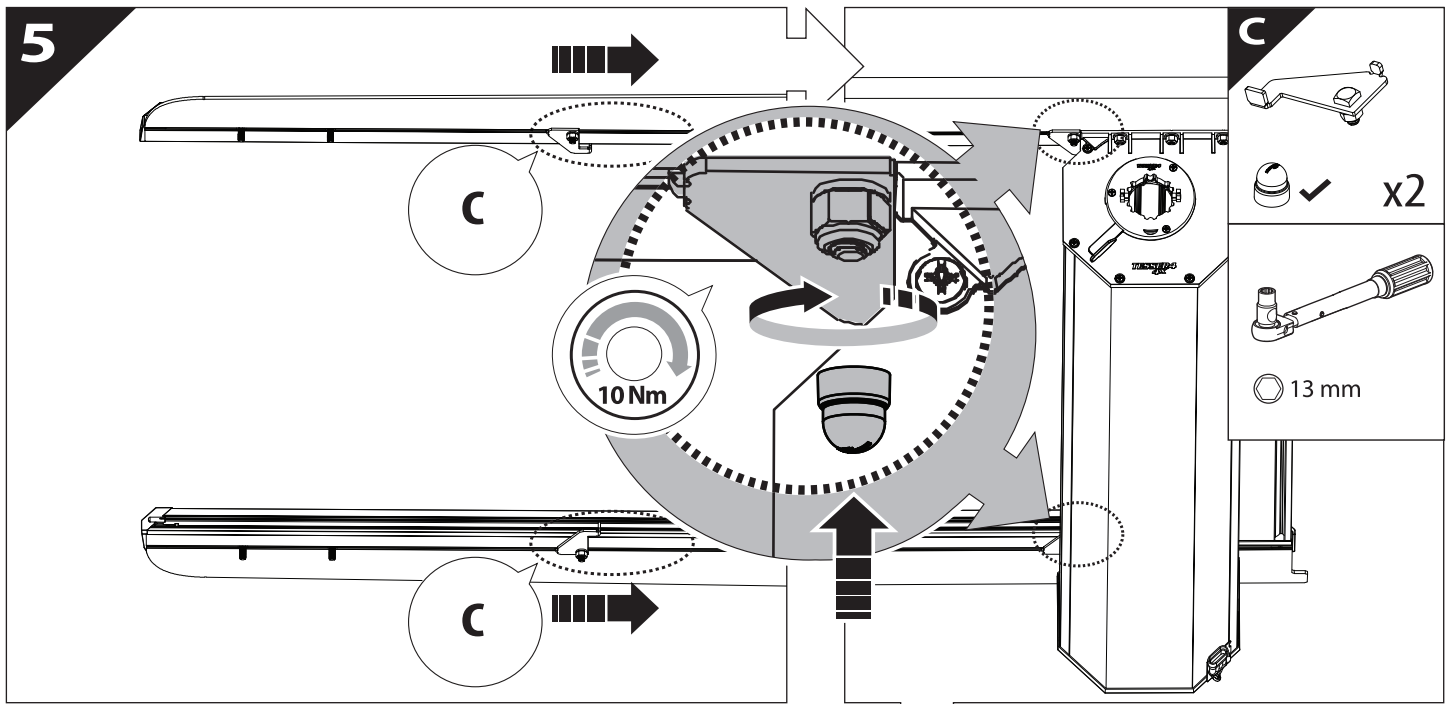


3

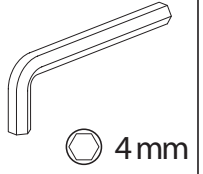
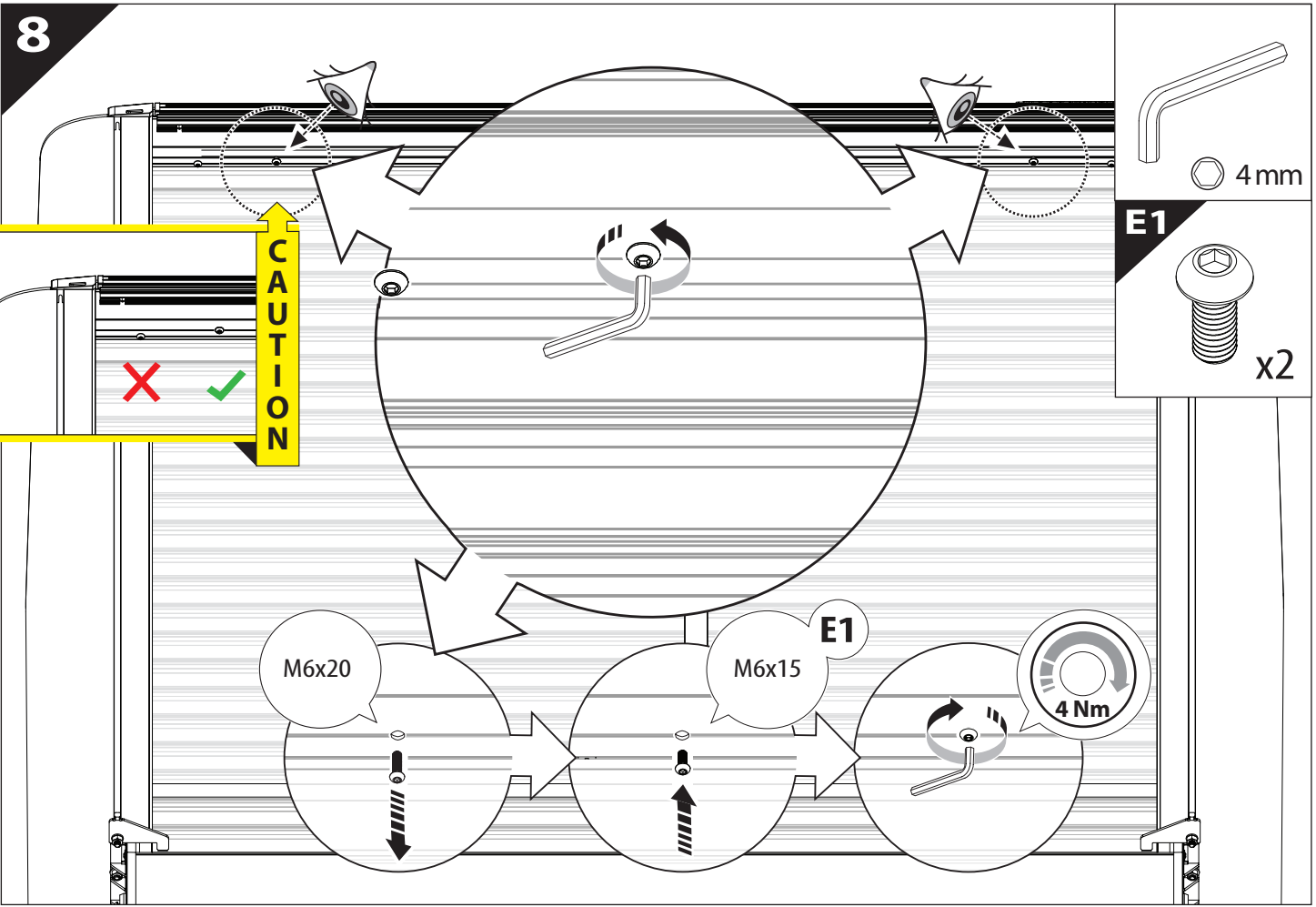
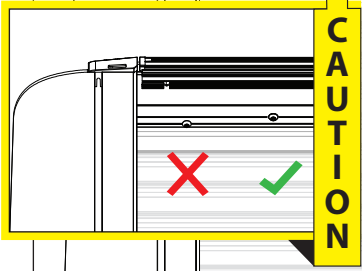


4





8



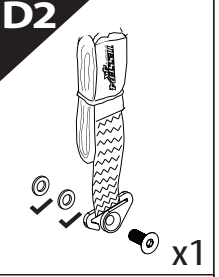
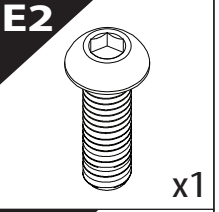
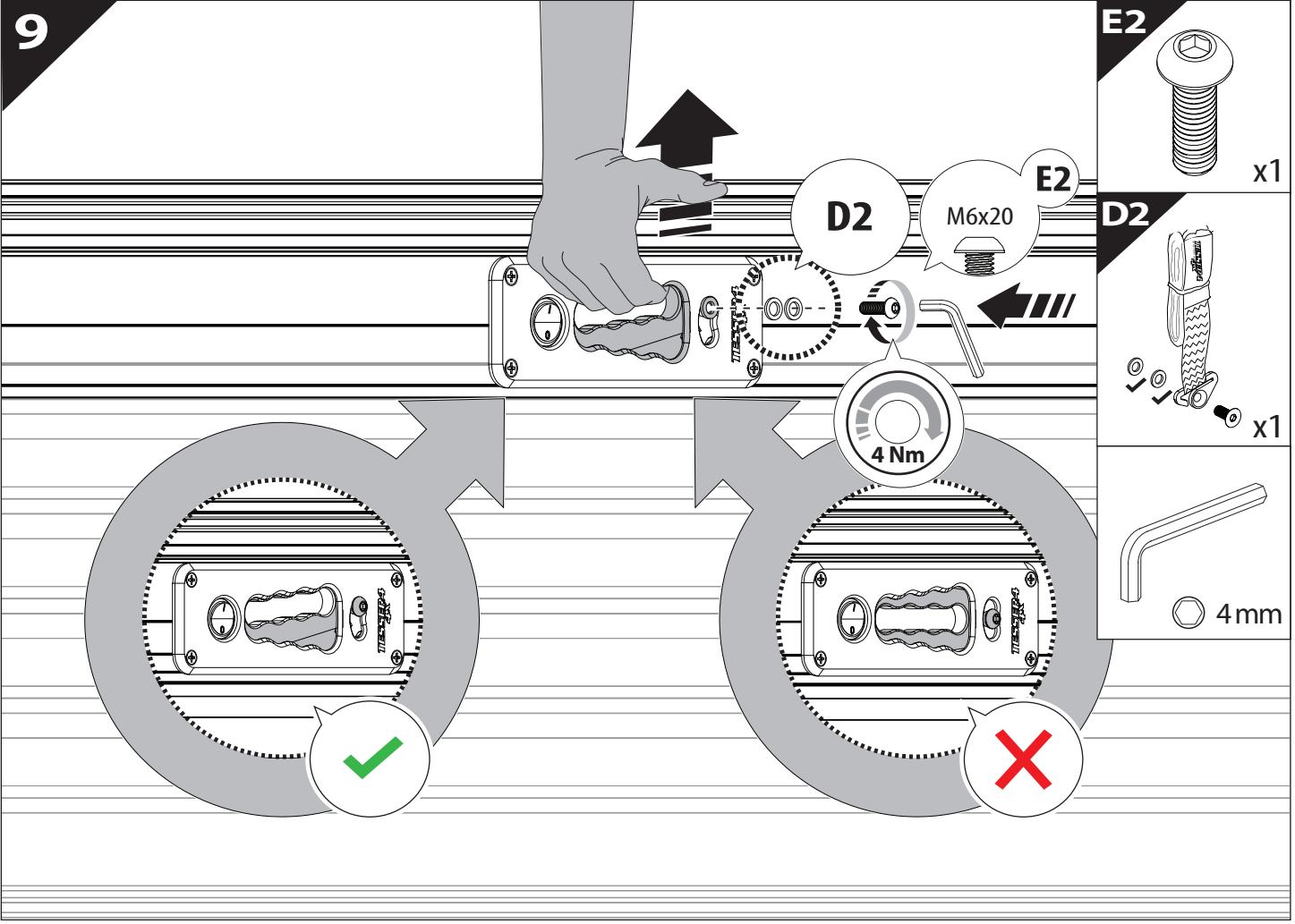
M6x20

M6x15

**E1**

4 Nm

9

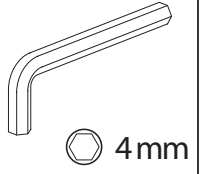


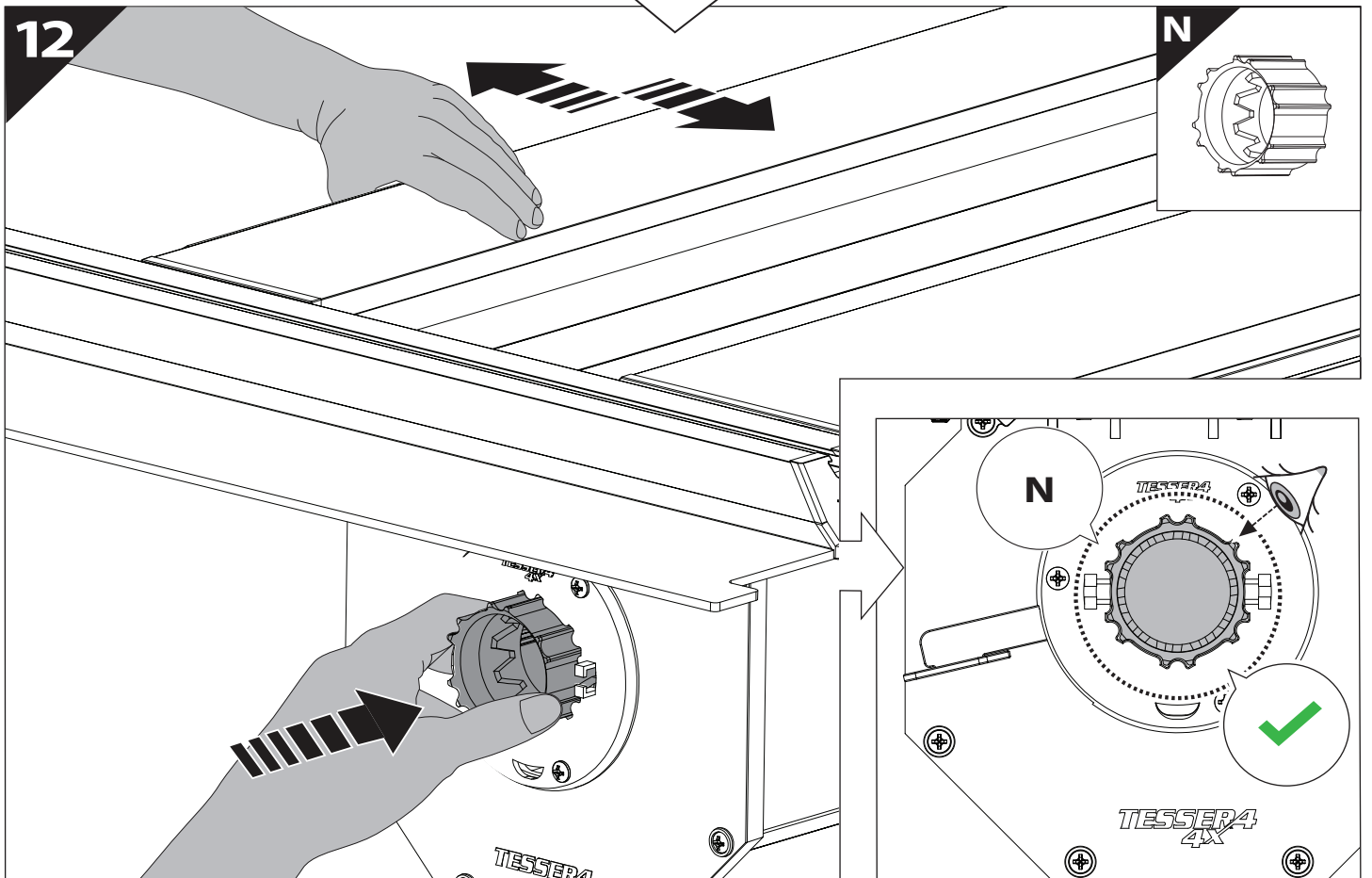
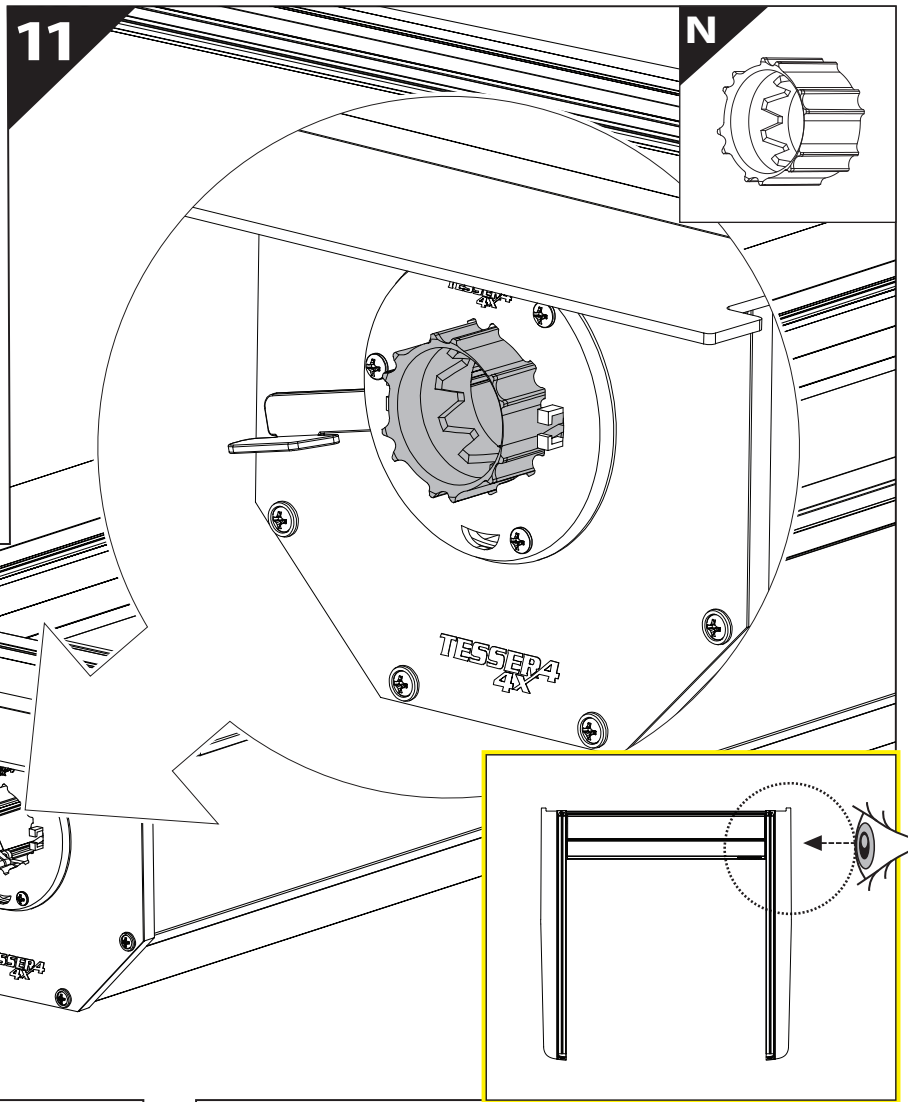
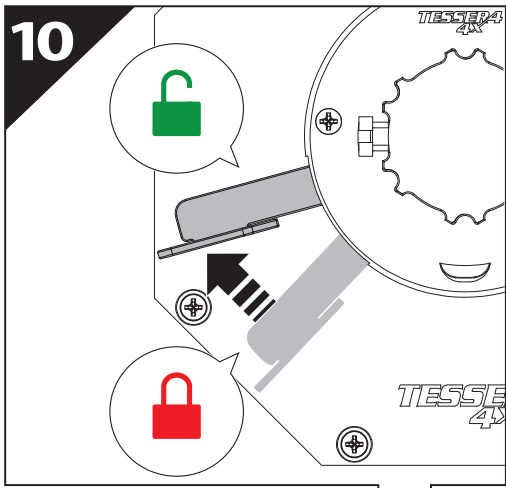
**D2**

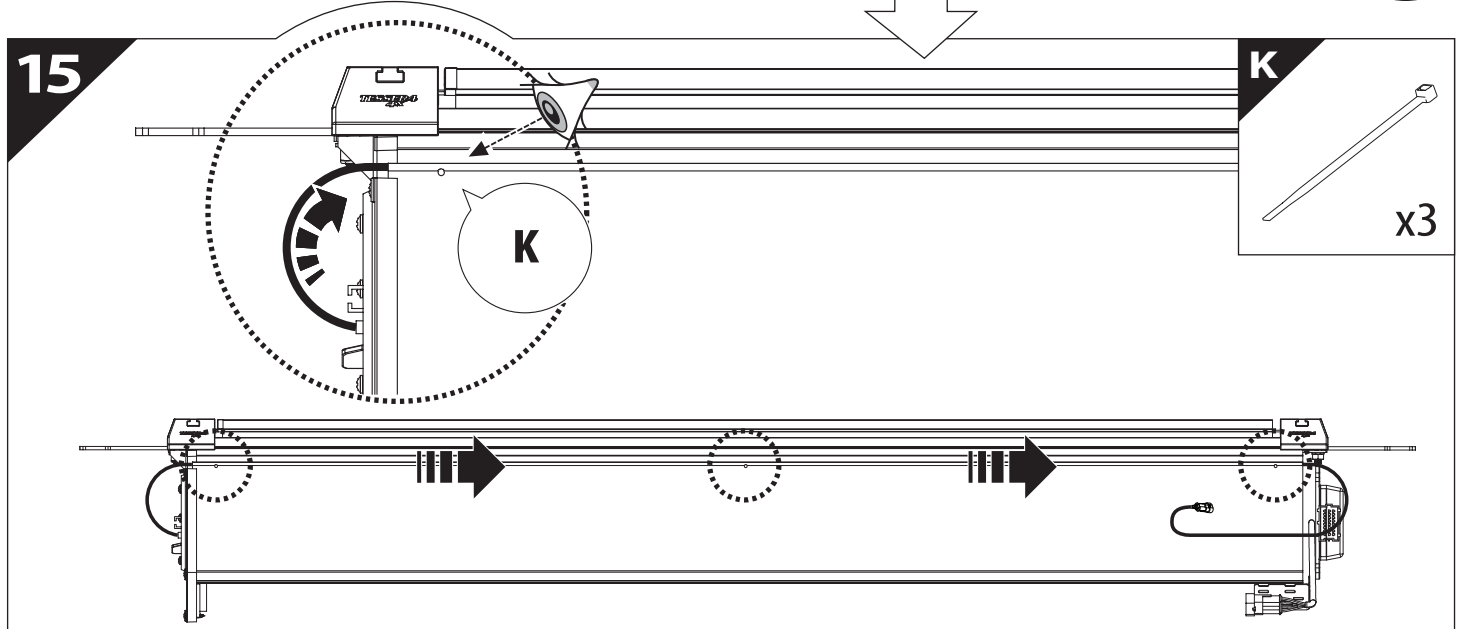
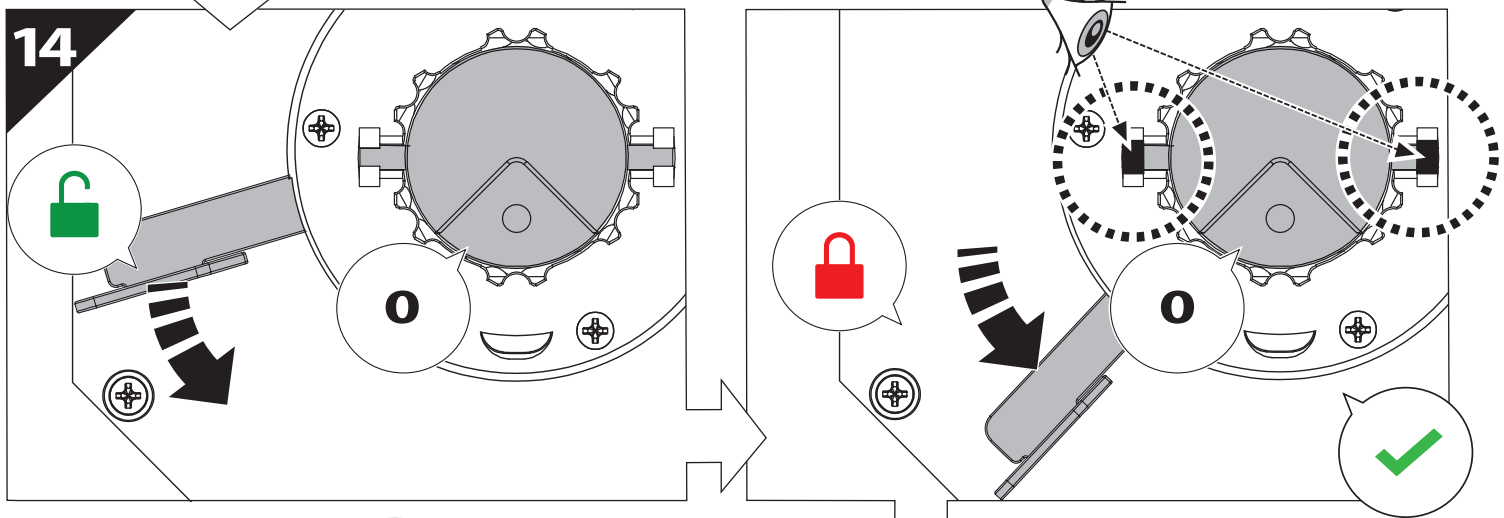
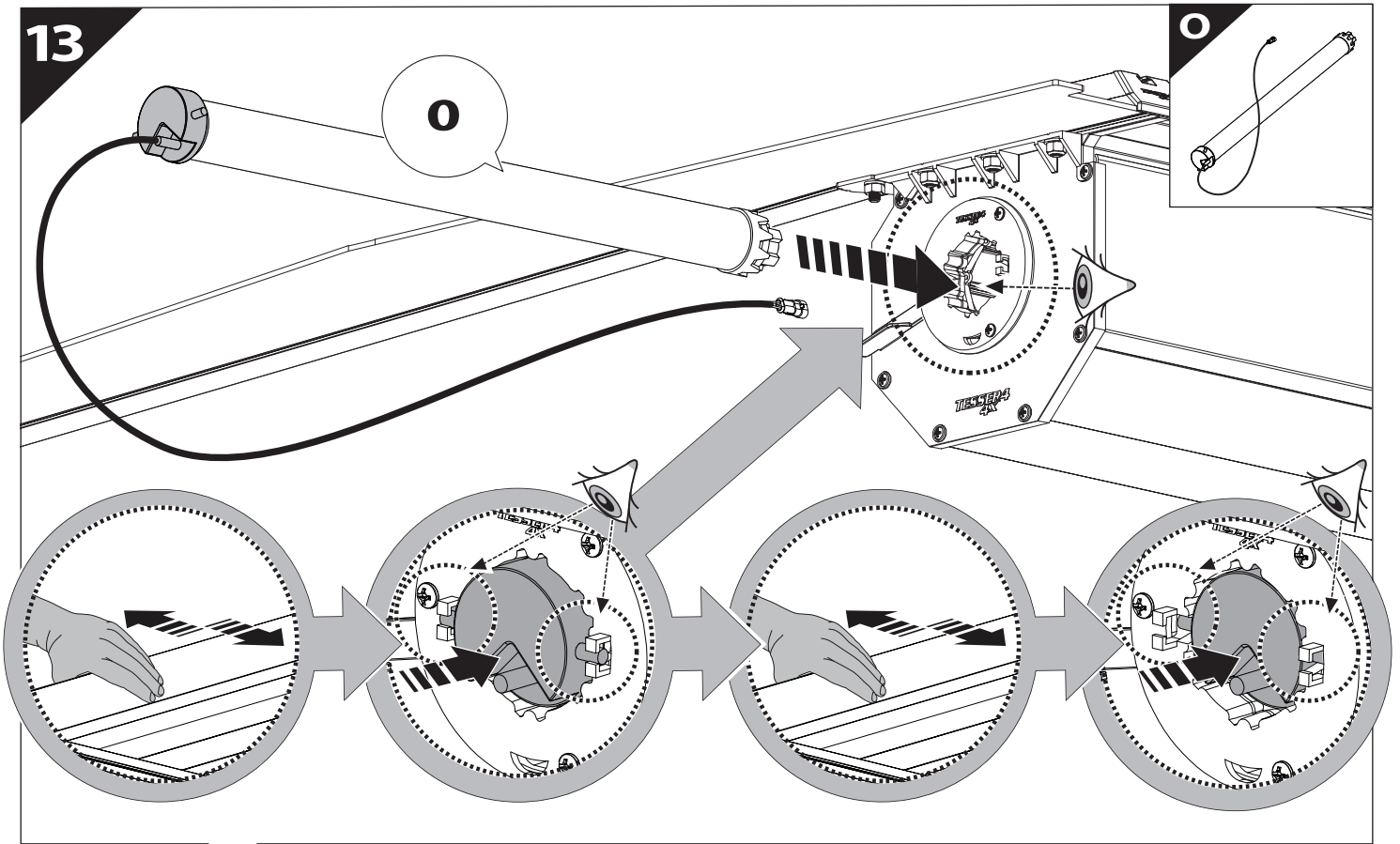
M6x20

**E2**

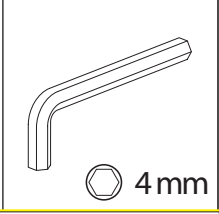
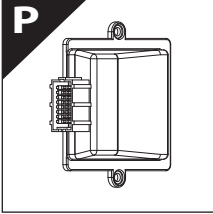
4 Nm





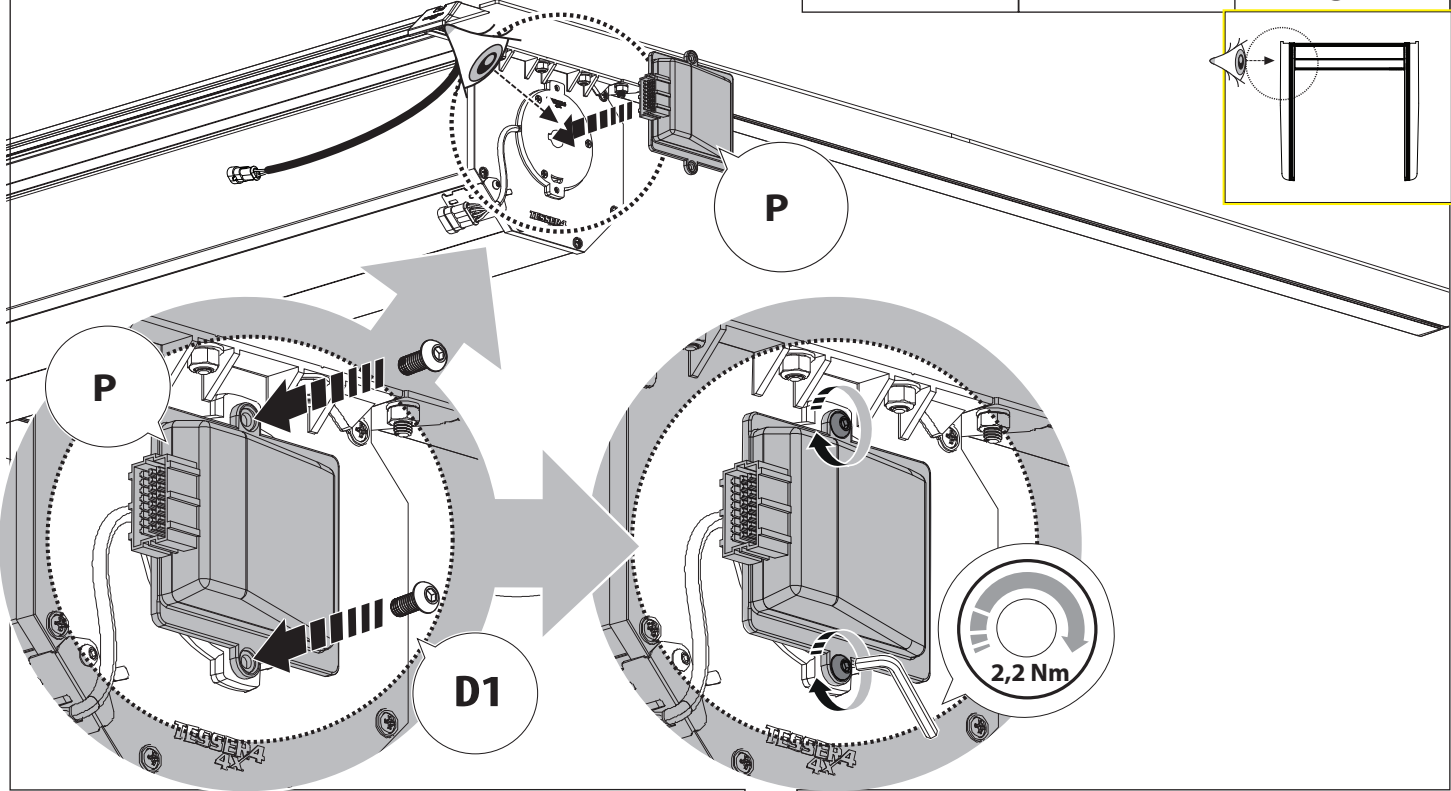
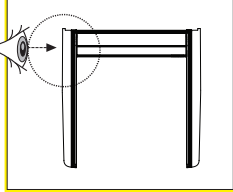


16

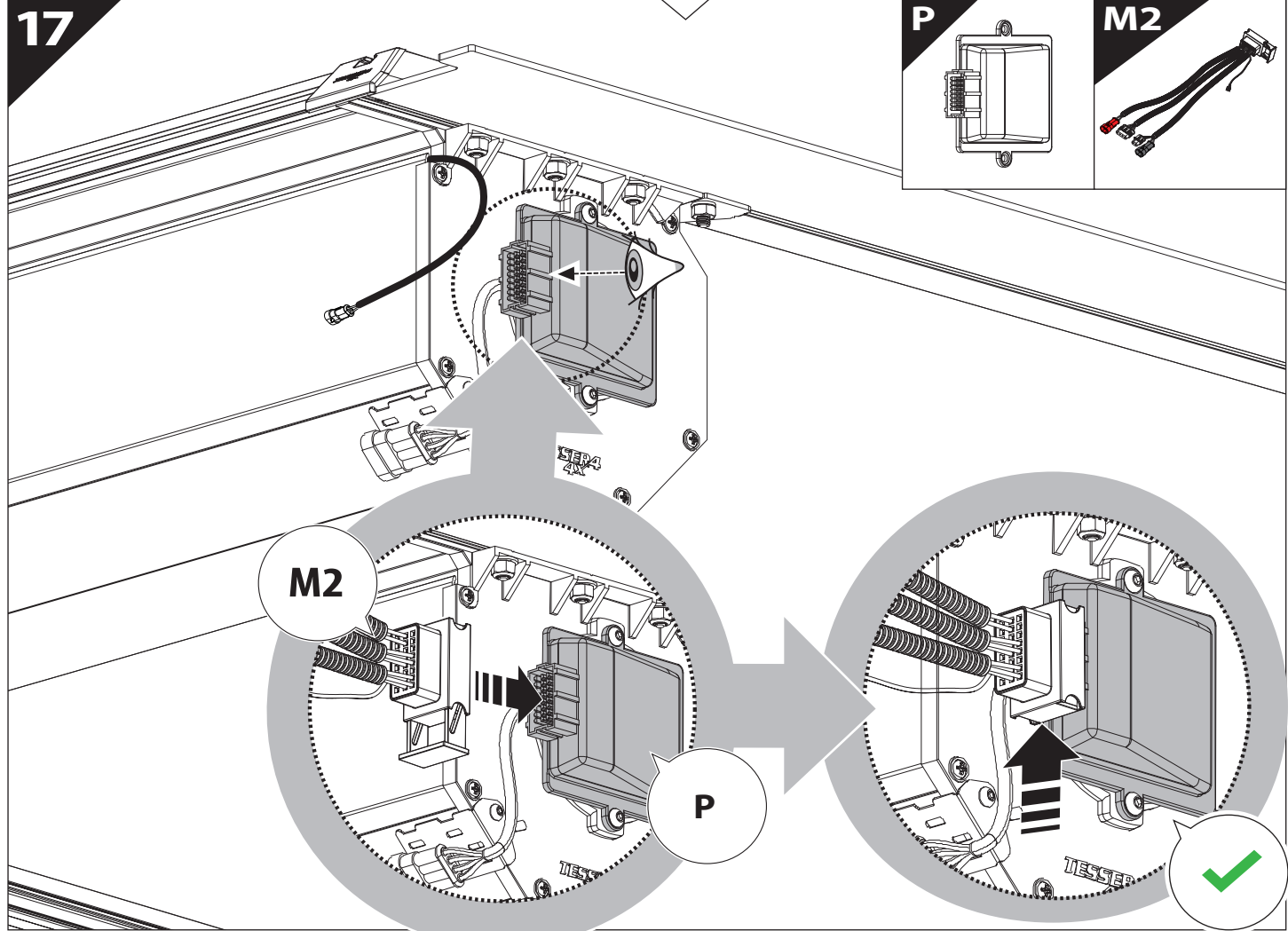
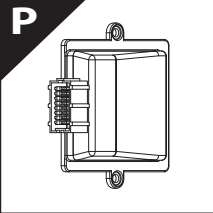


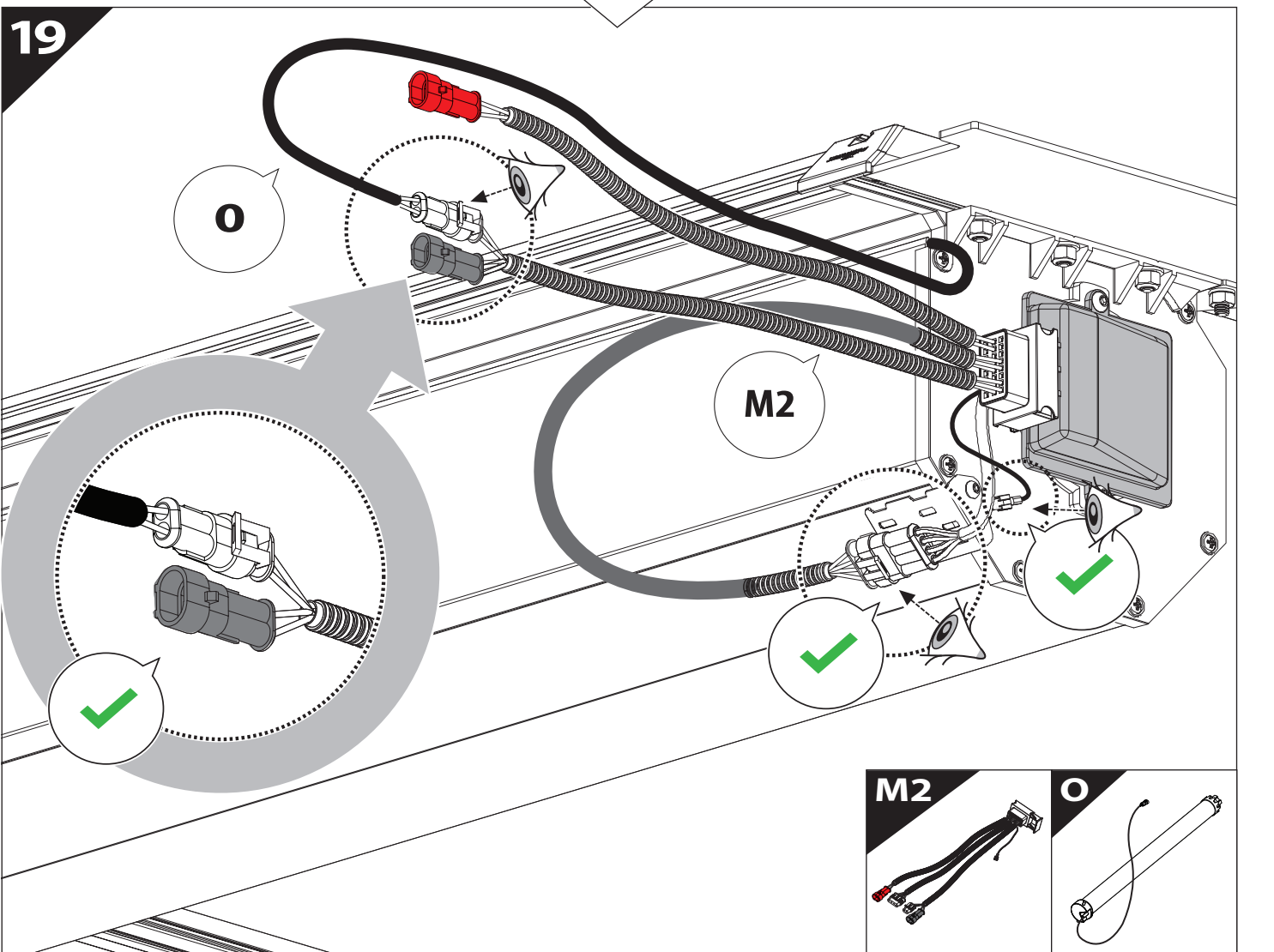
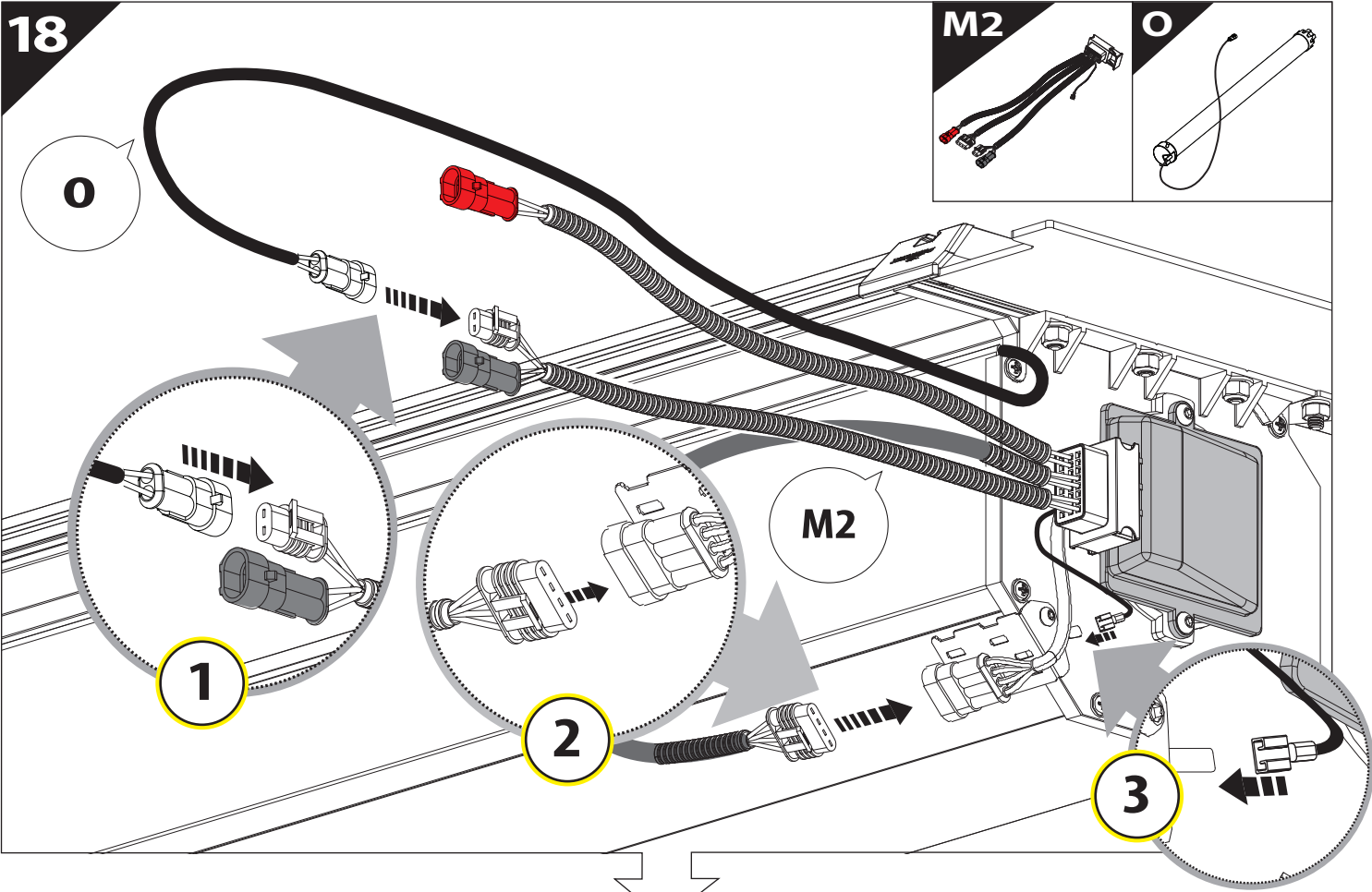
x2

4mm



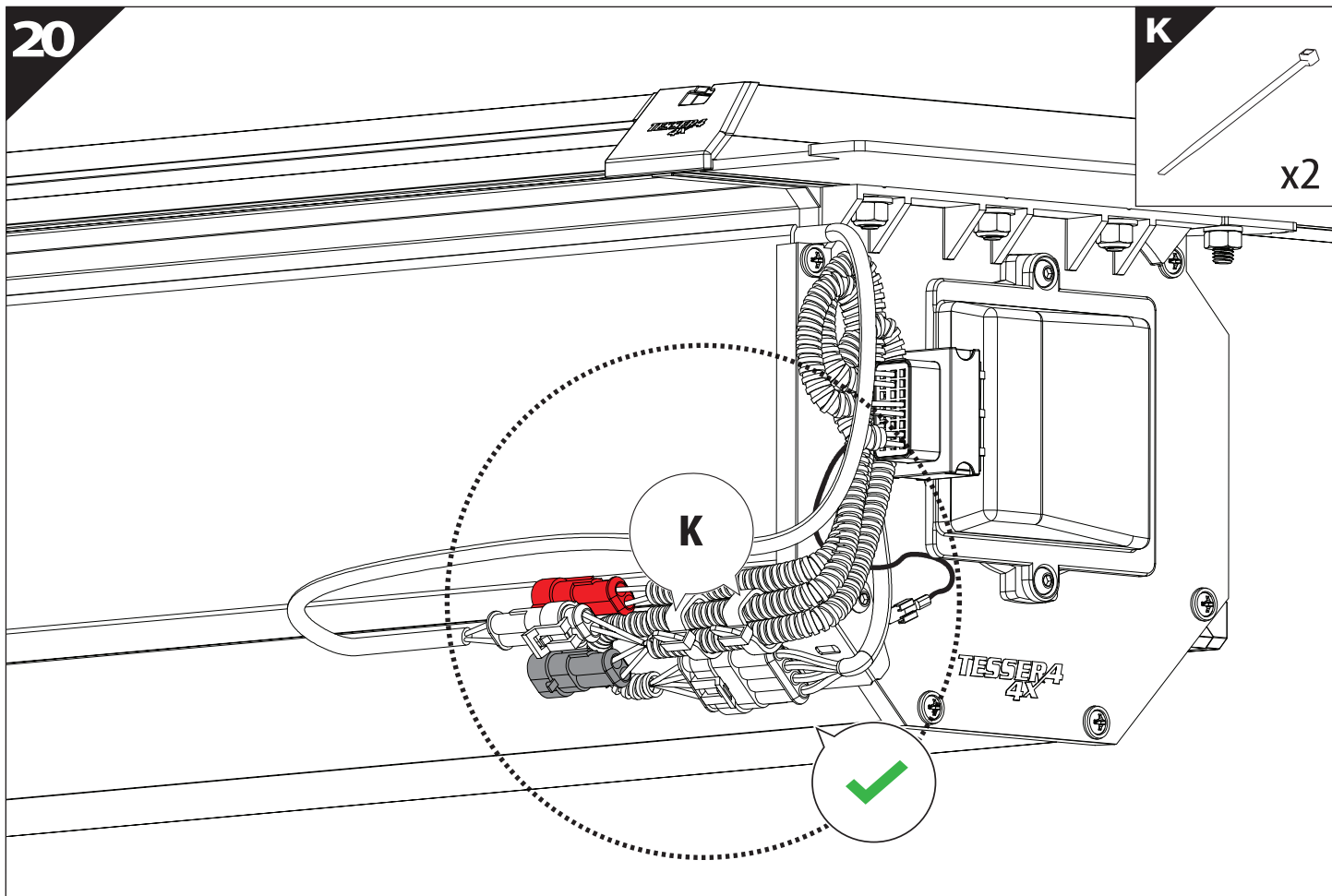
17





20

K



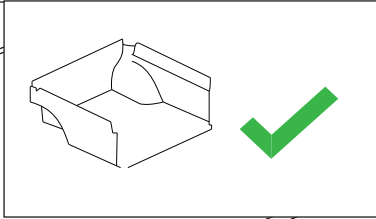
x2

K

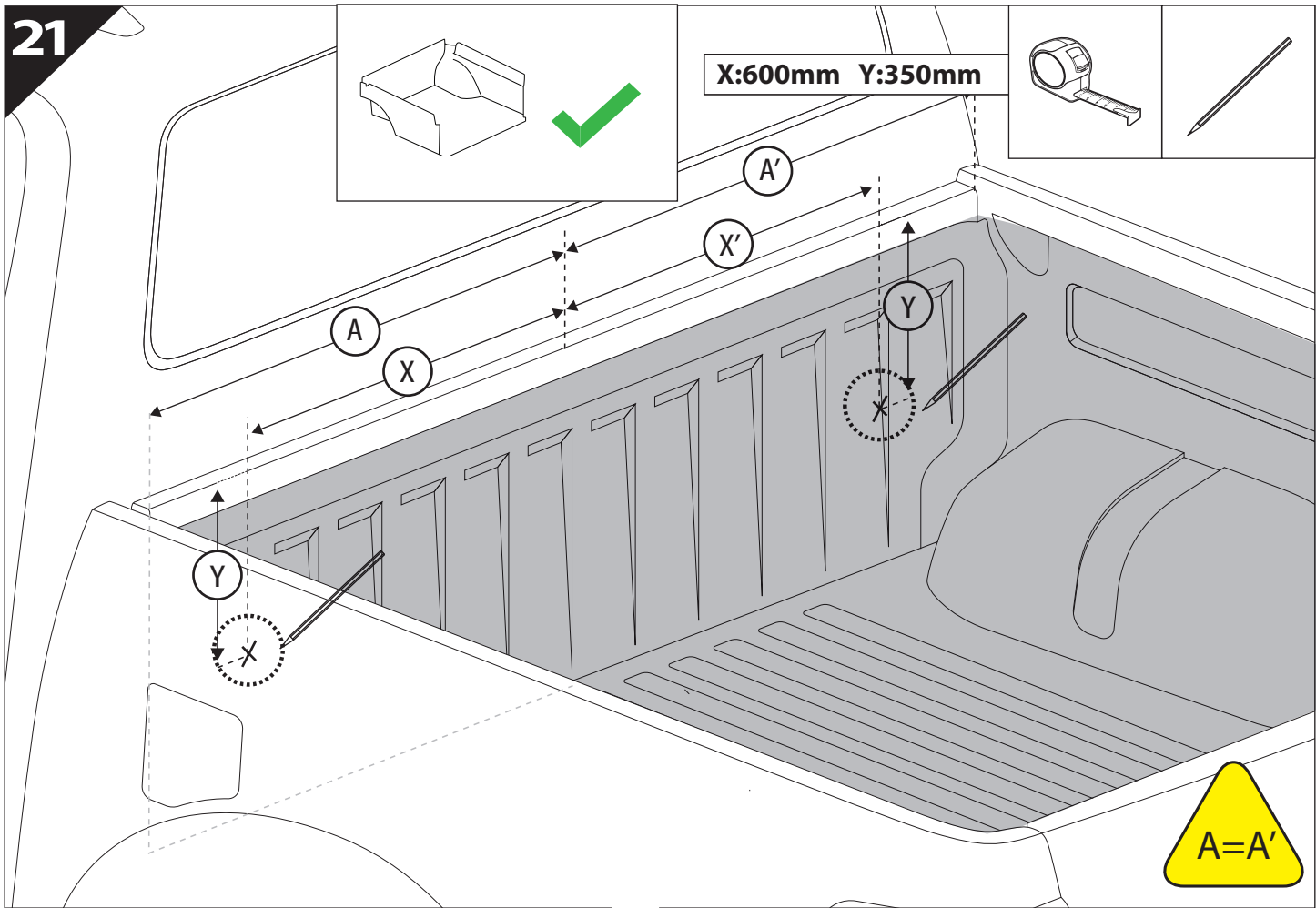
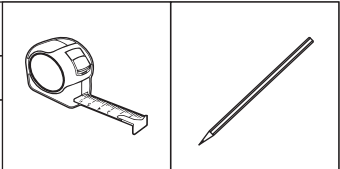


TESSERA  
4X

21

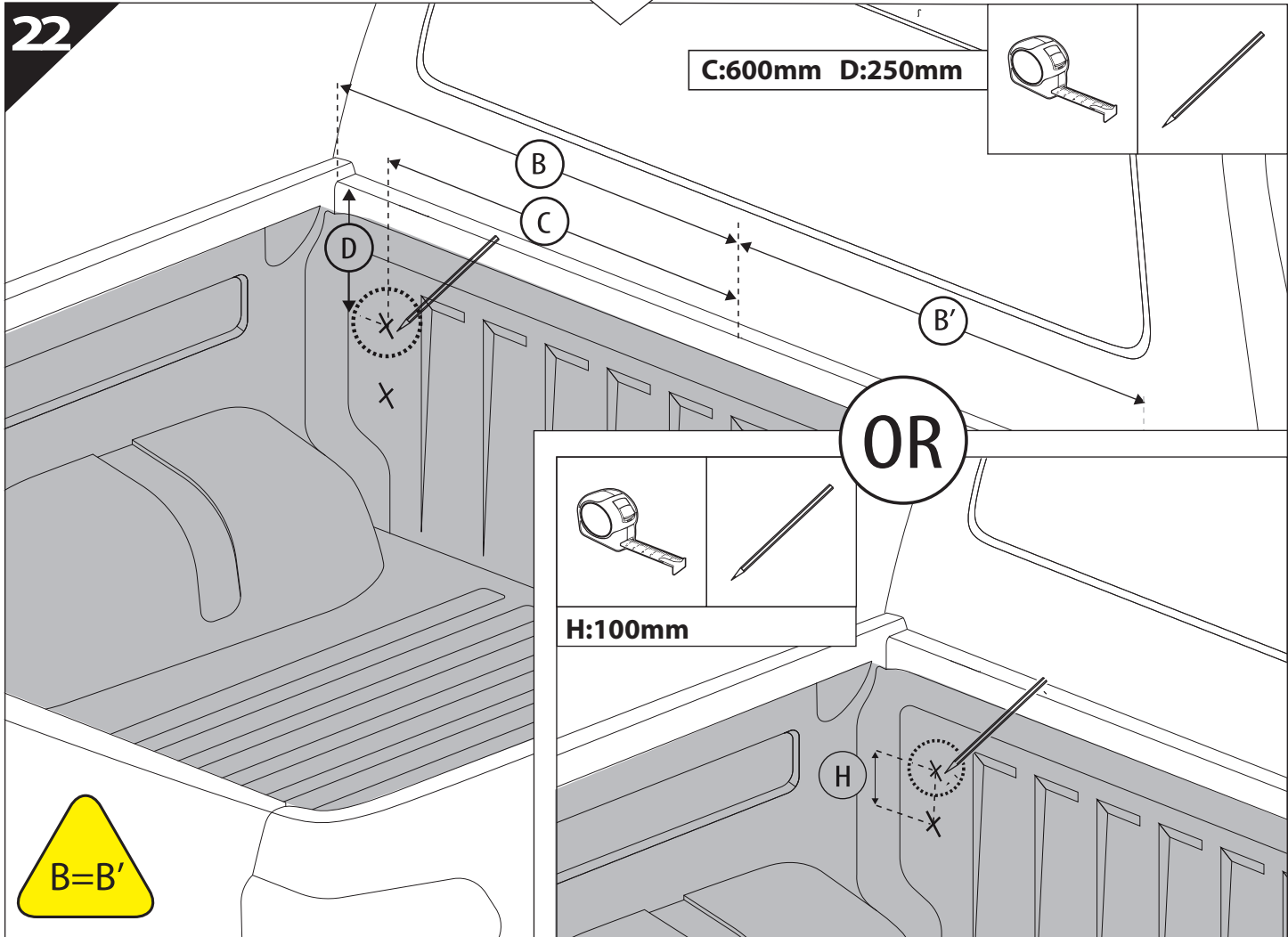
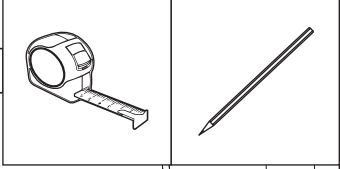


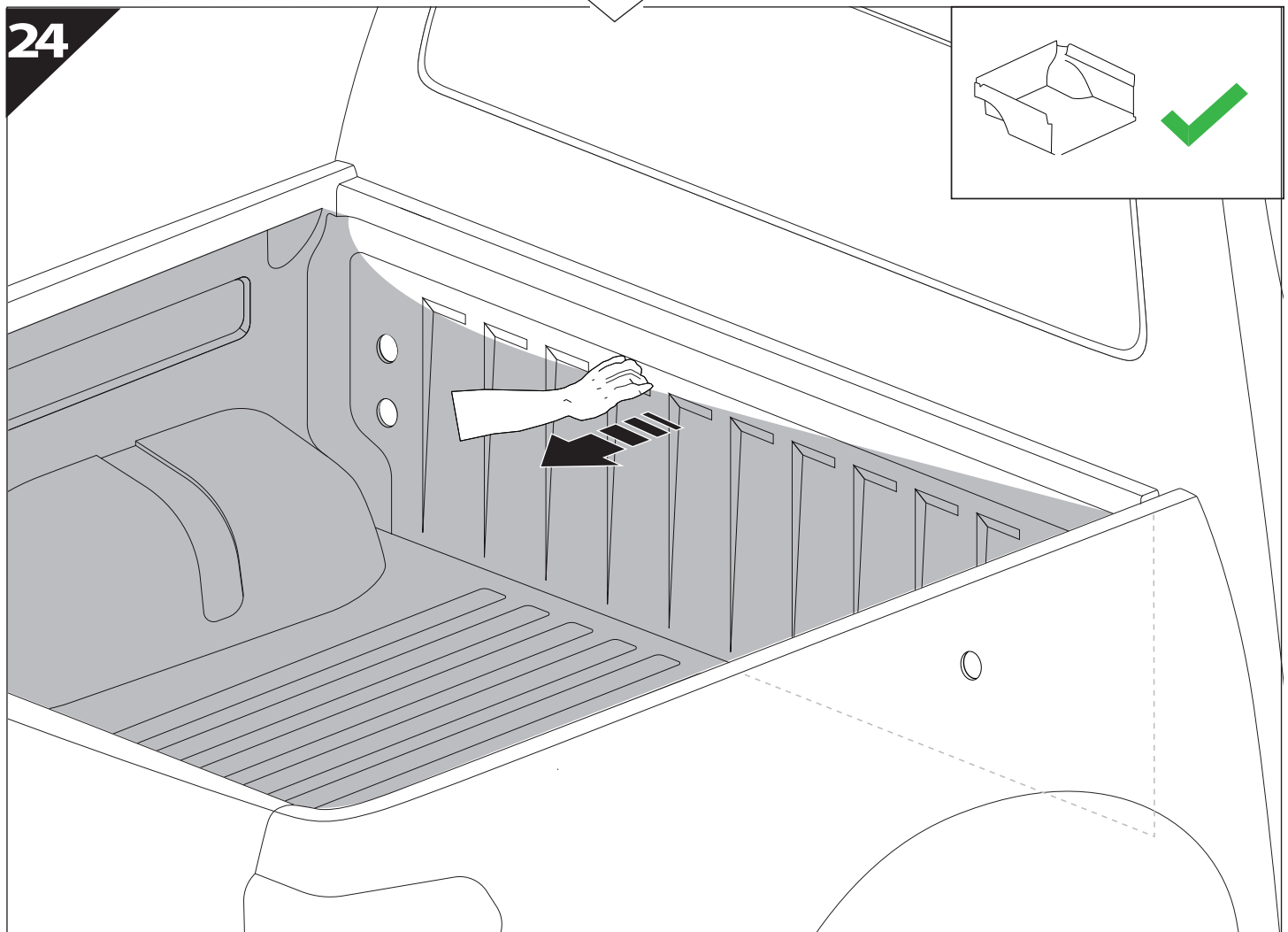
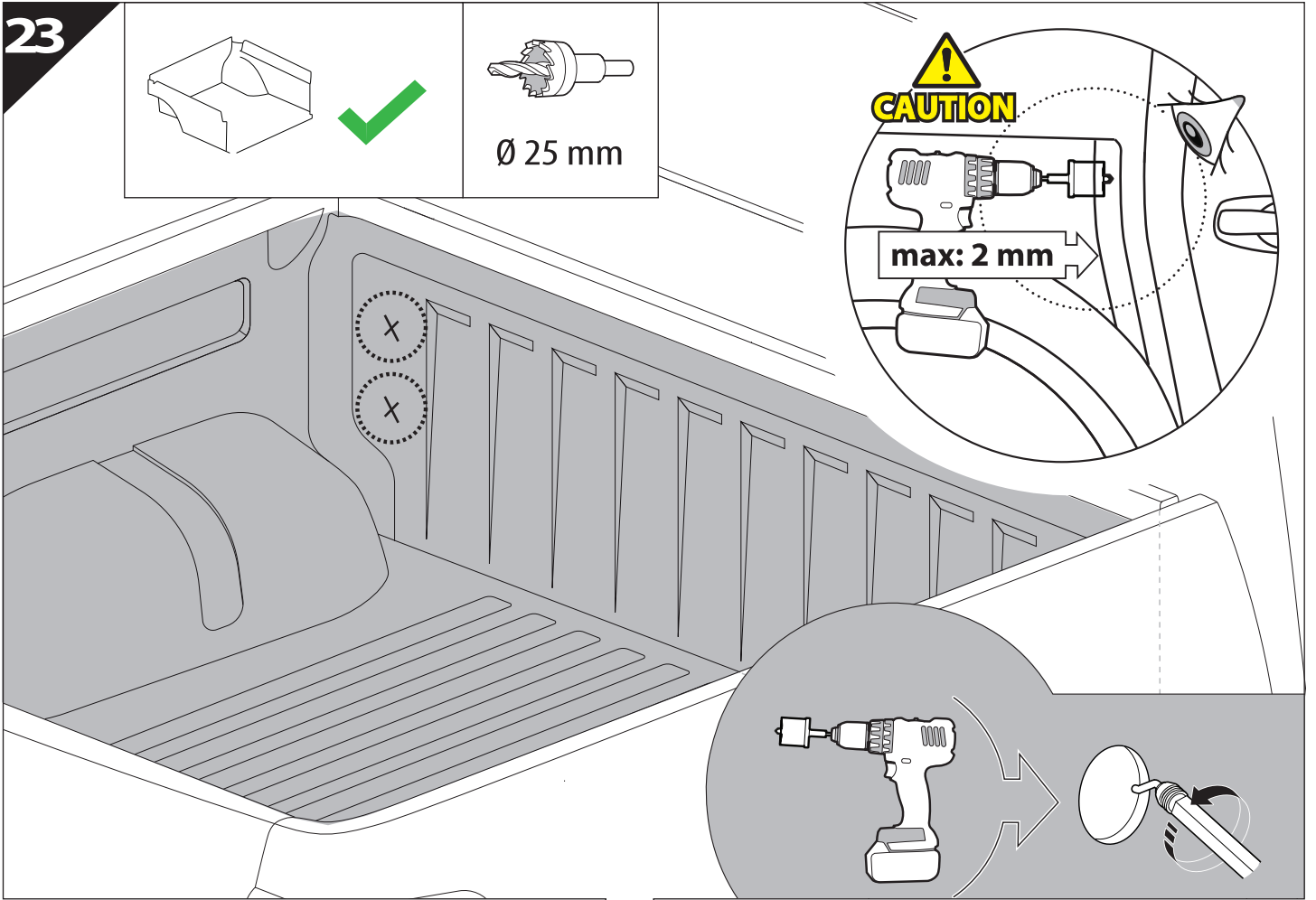
X:600mm Y:350mm



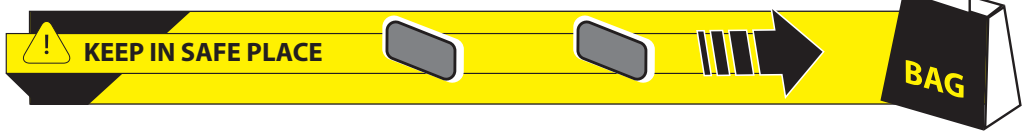
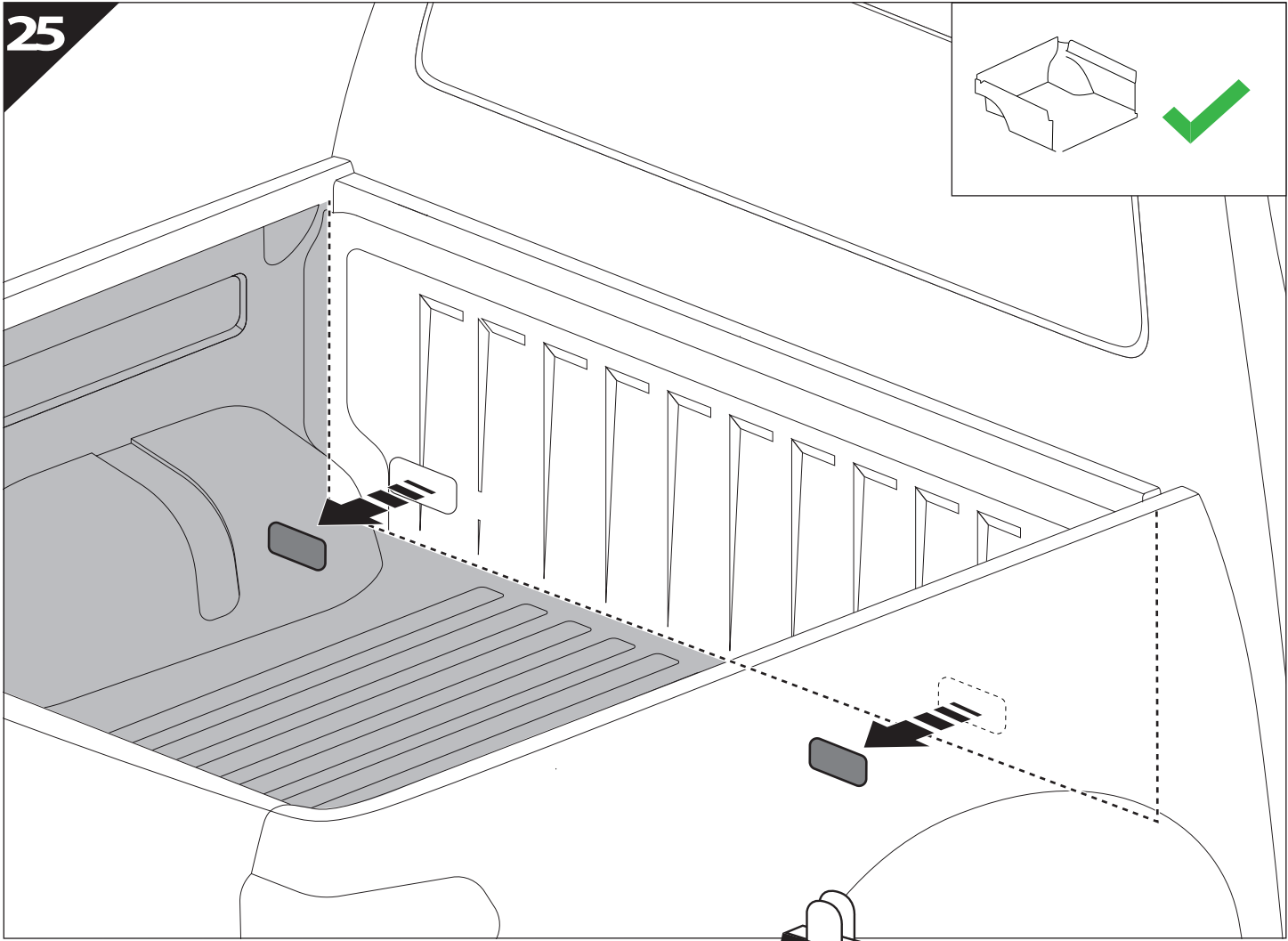
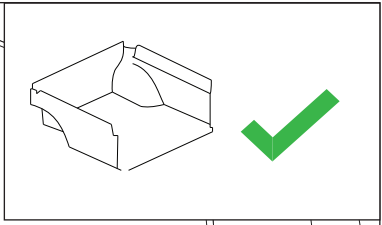
22

C:600mm D:250mm



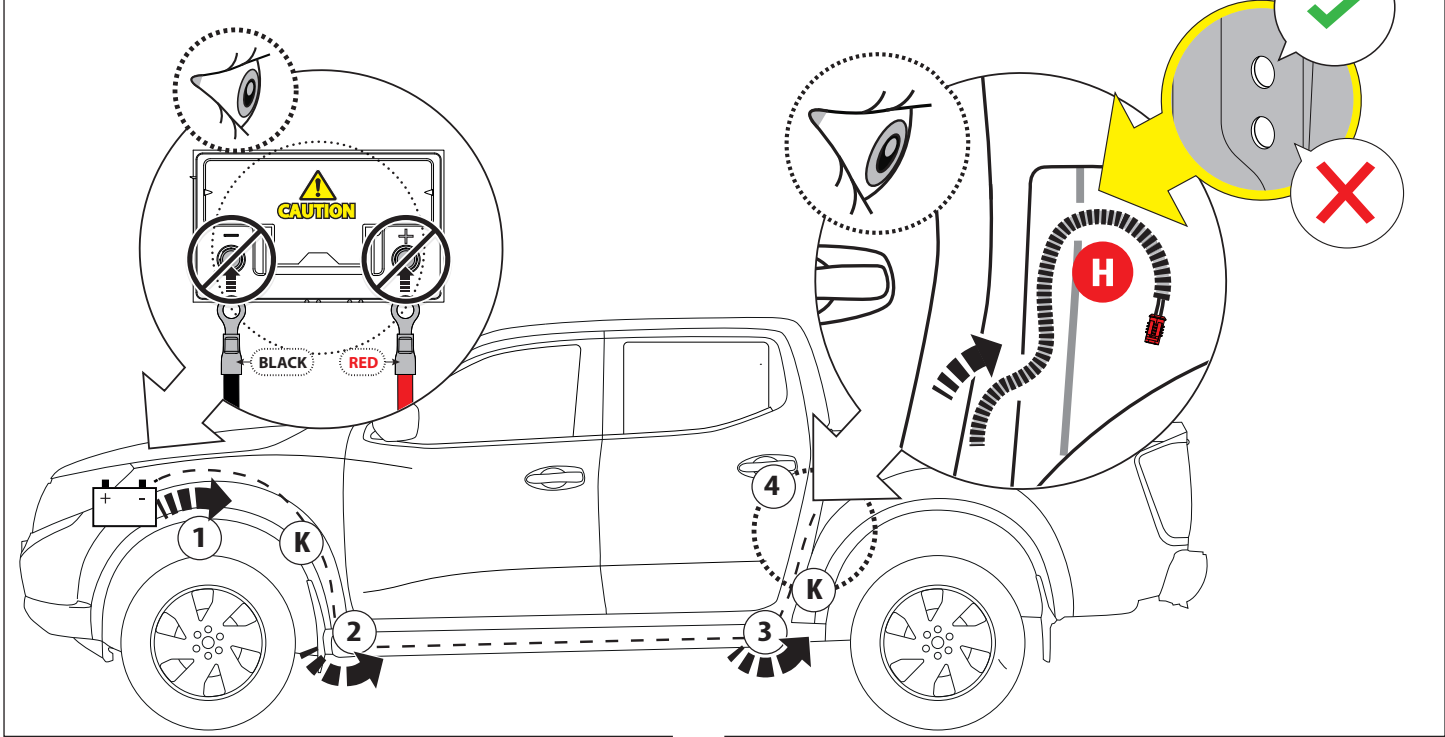
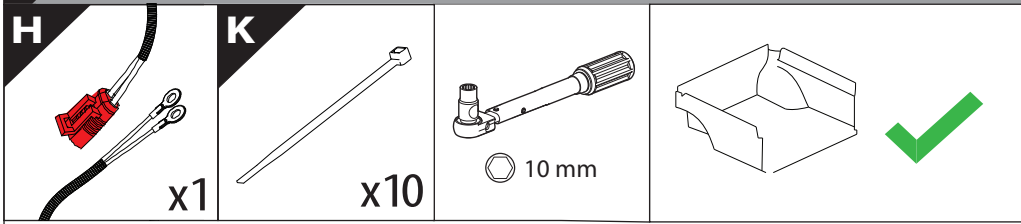


25

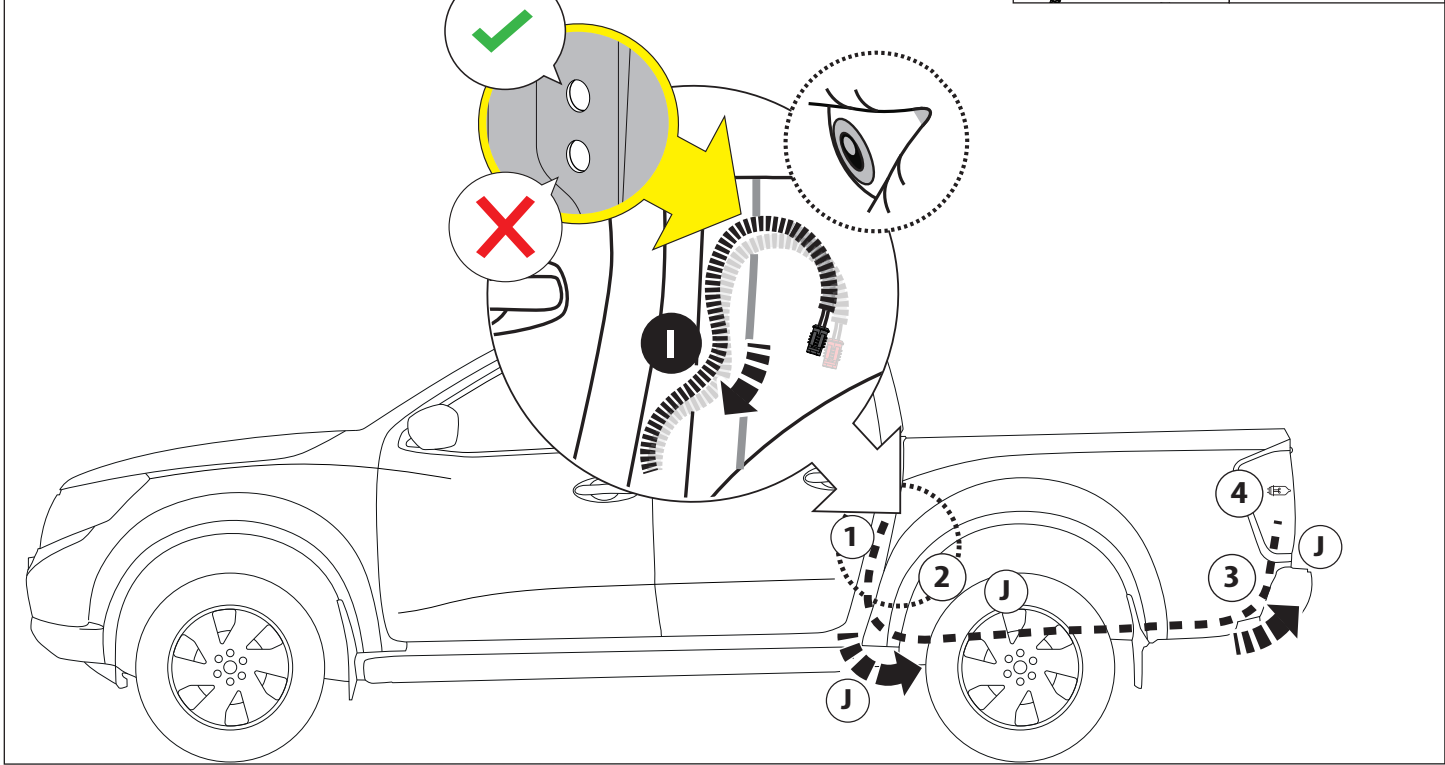
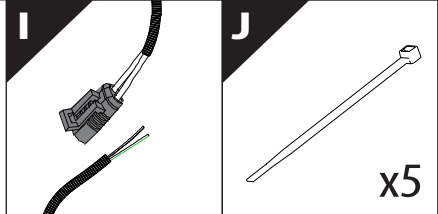


26

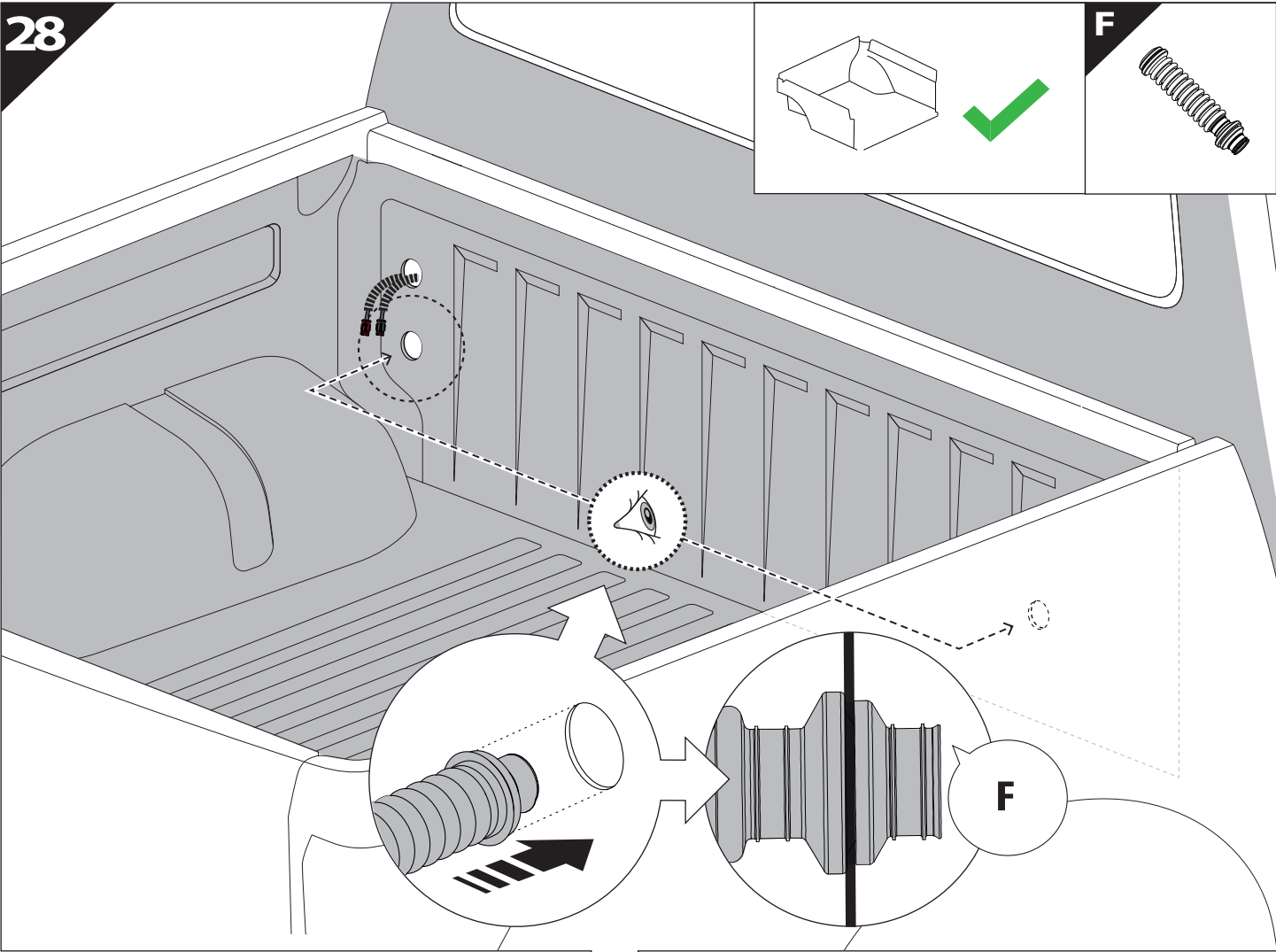
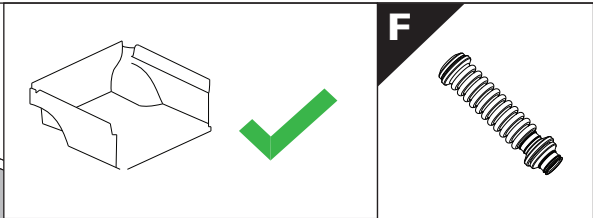
Only to be installed by authorized personnel



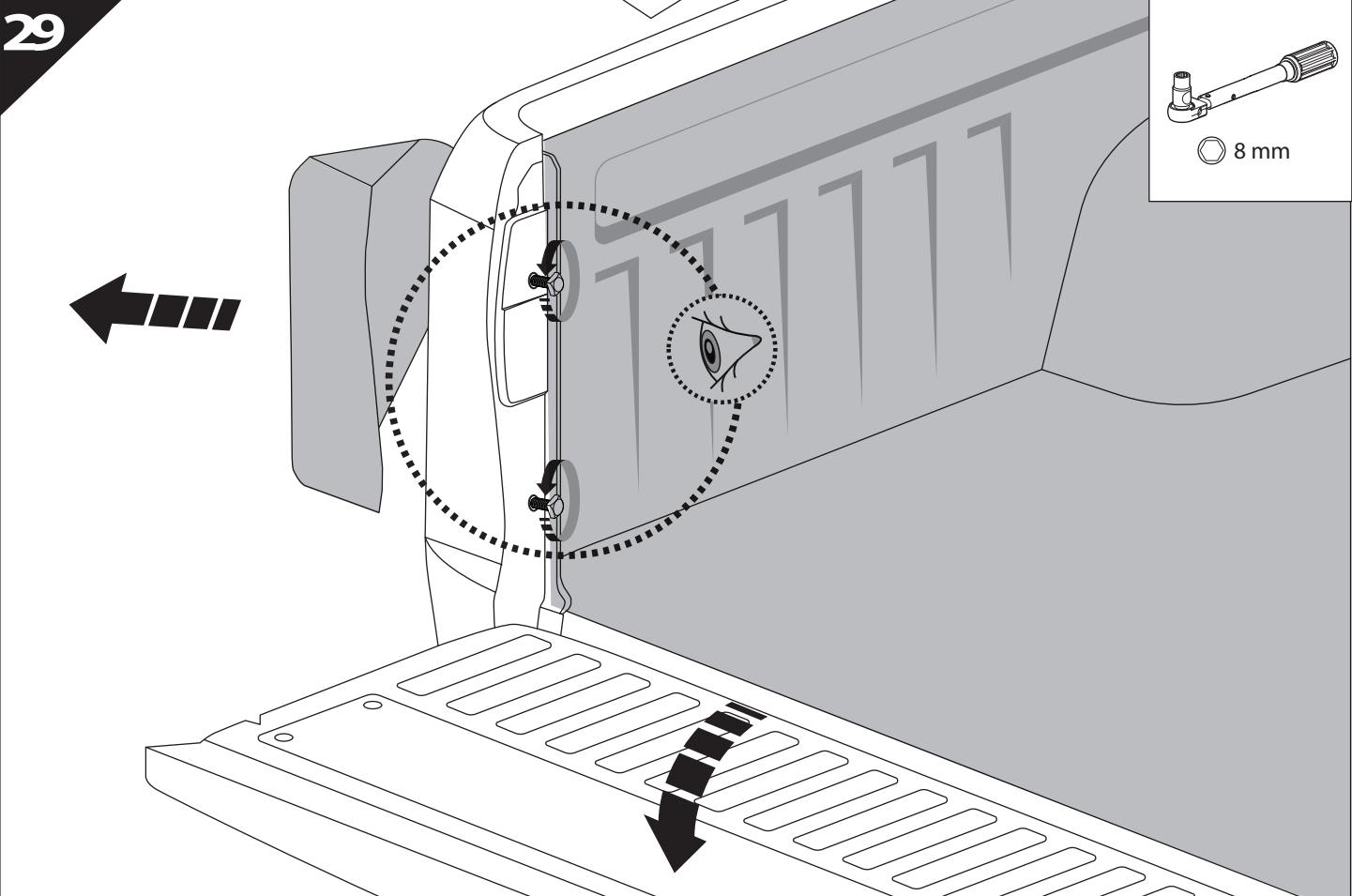
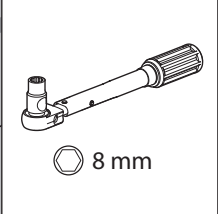
27

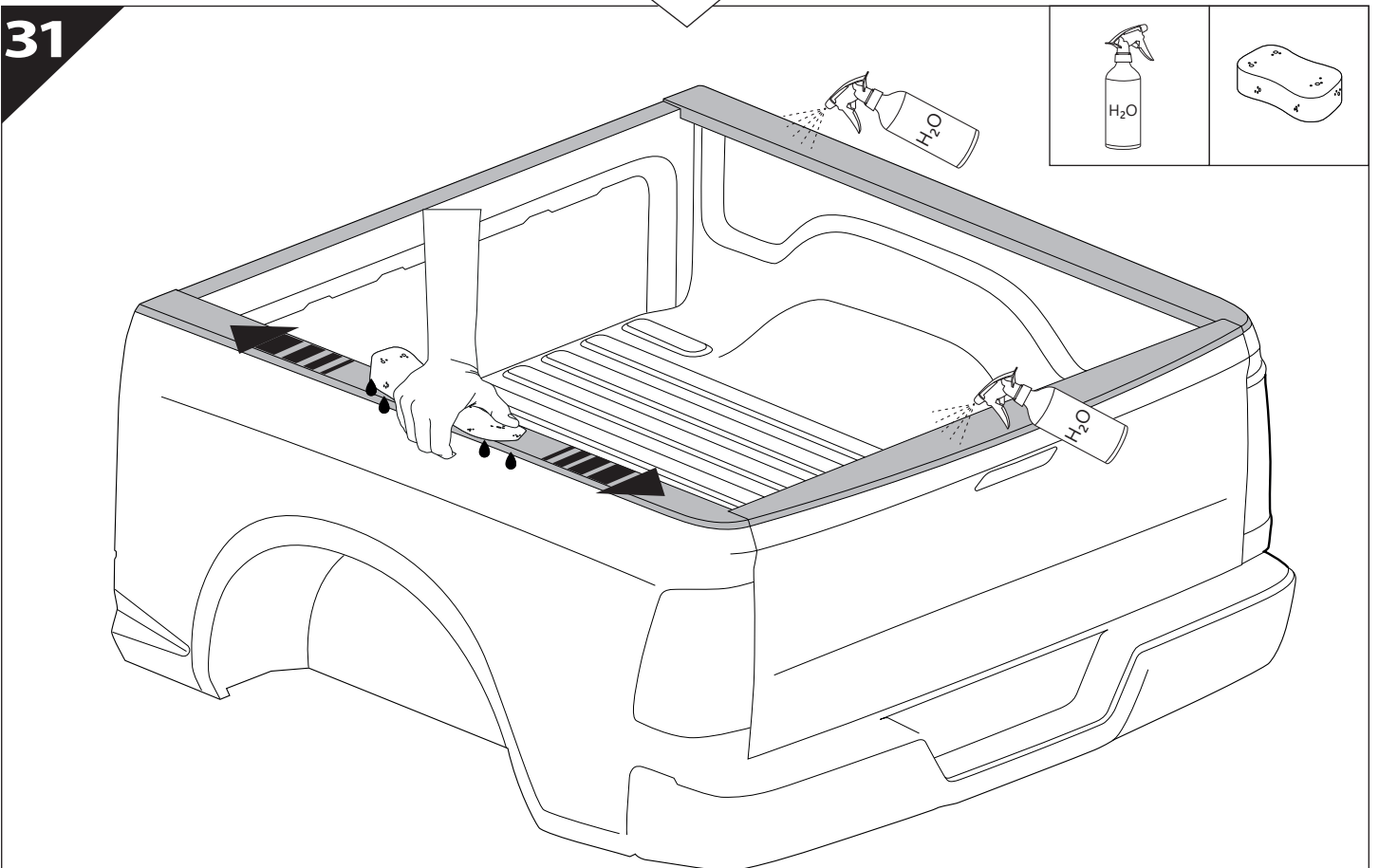
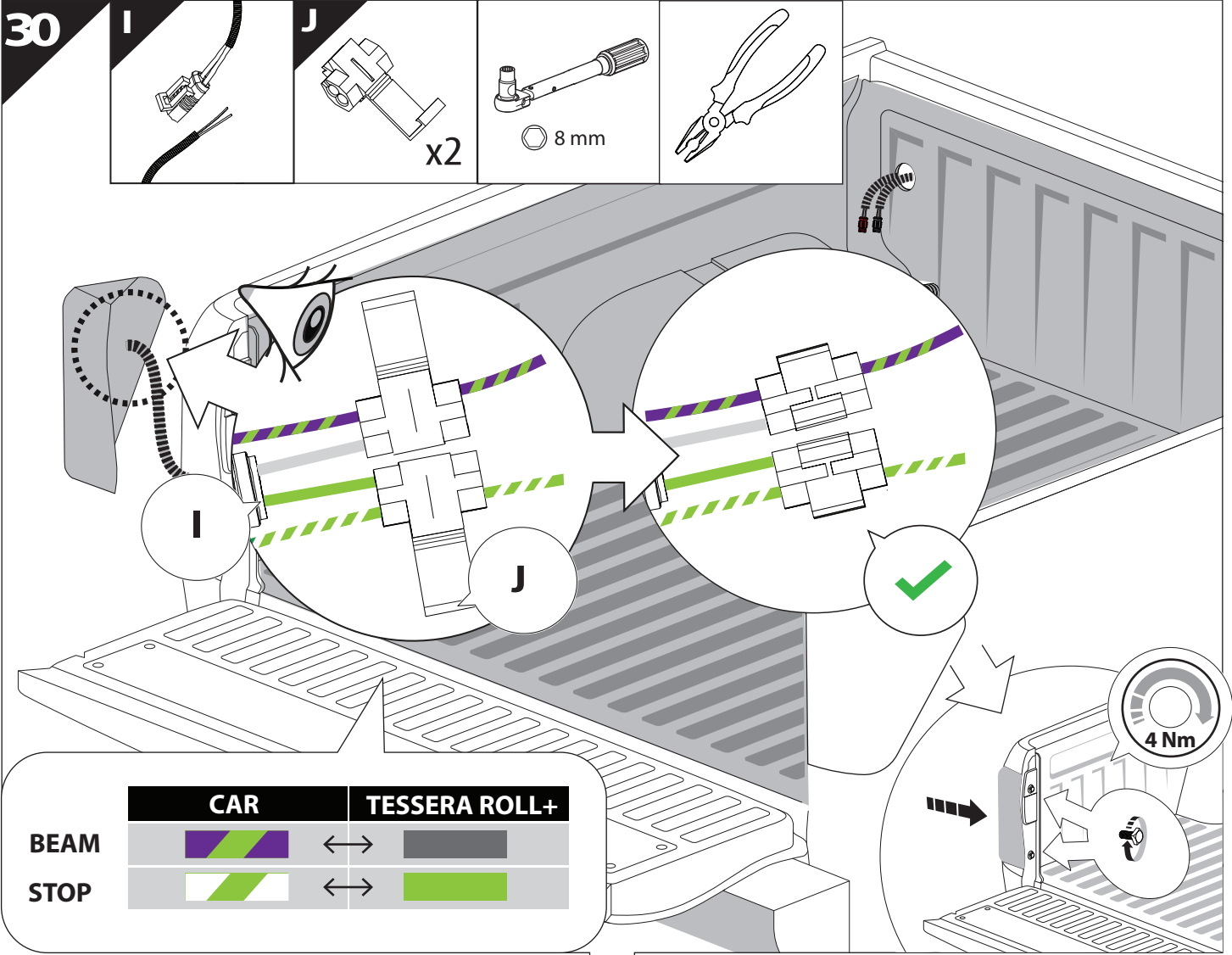


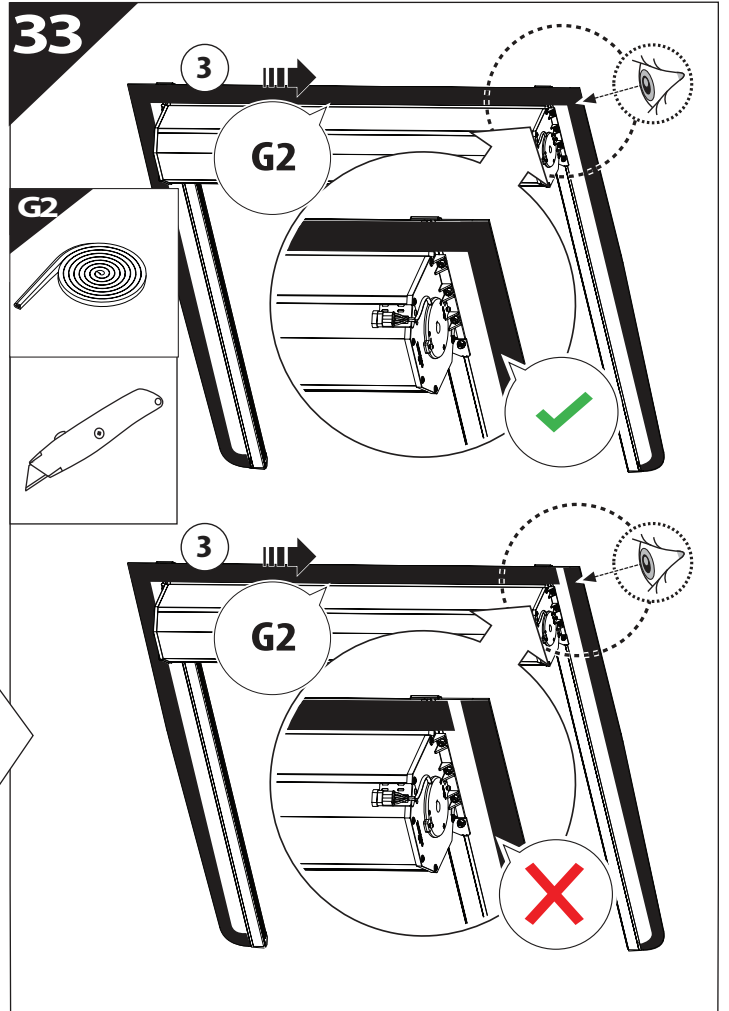
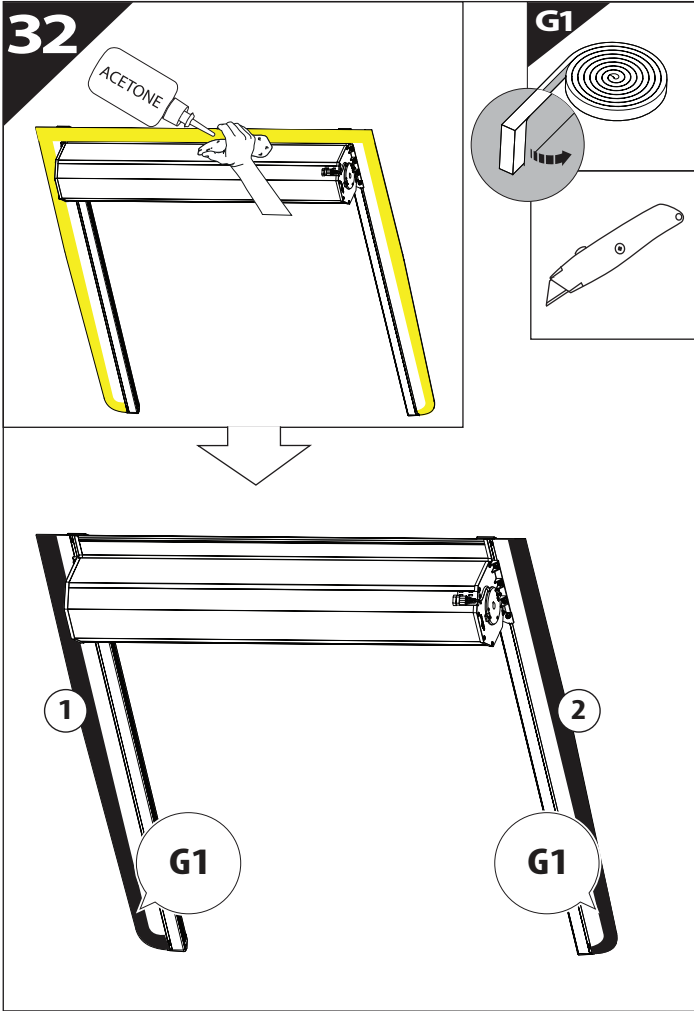
28

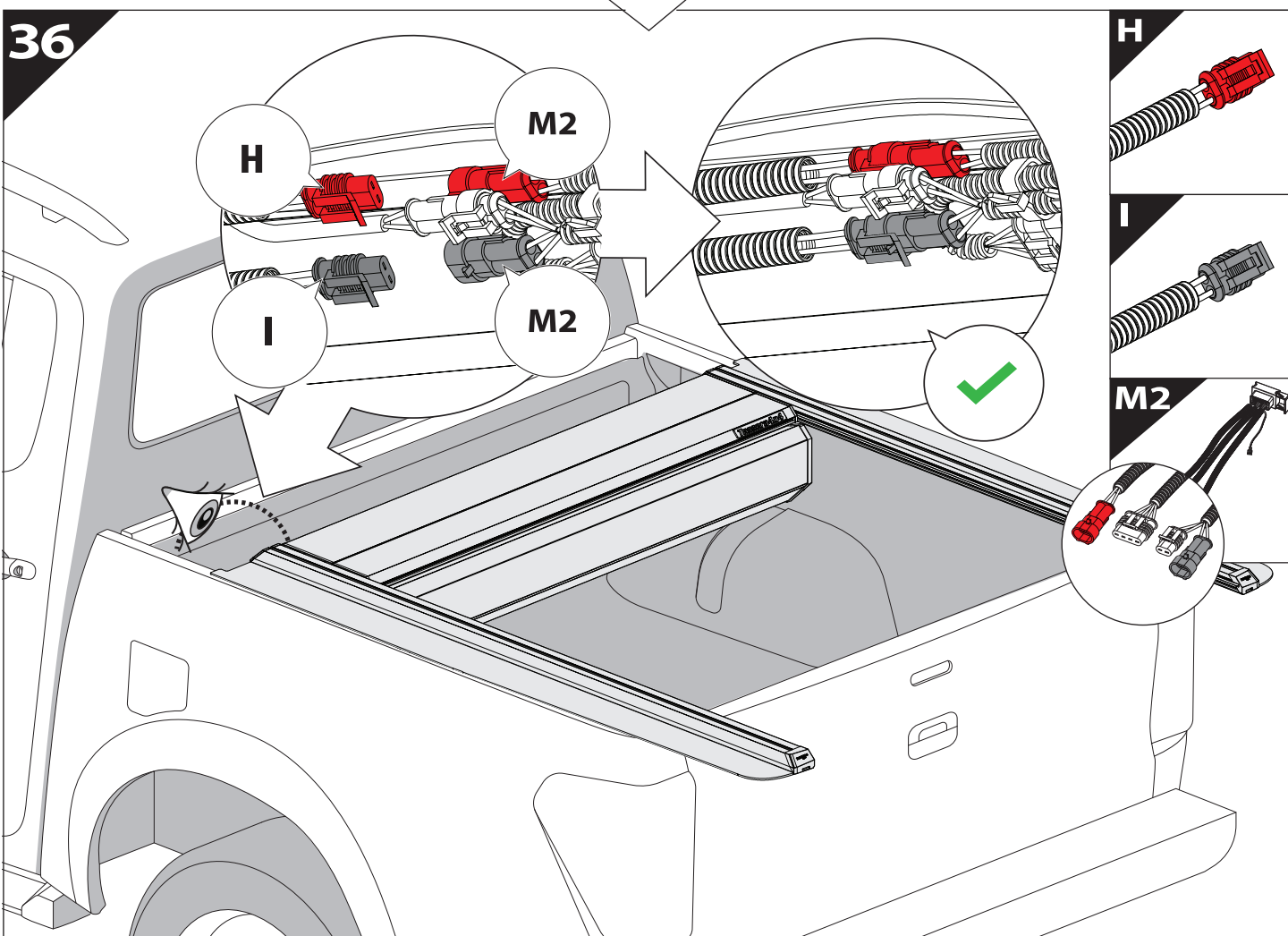
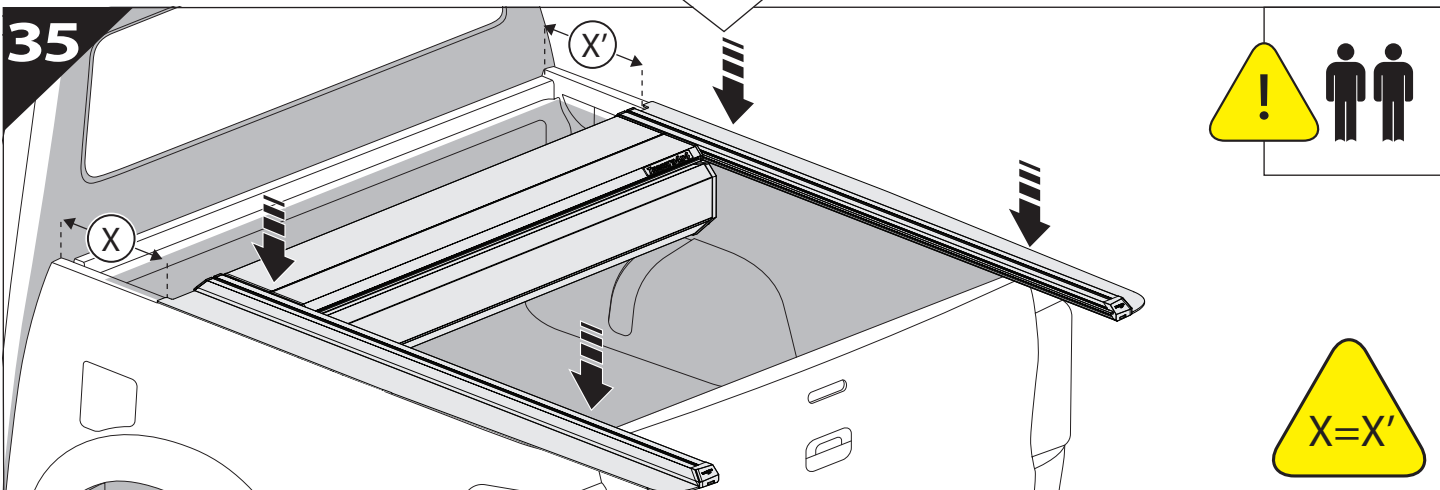
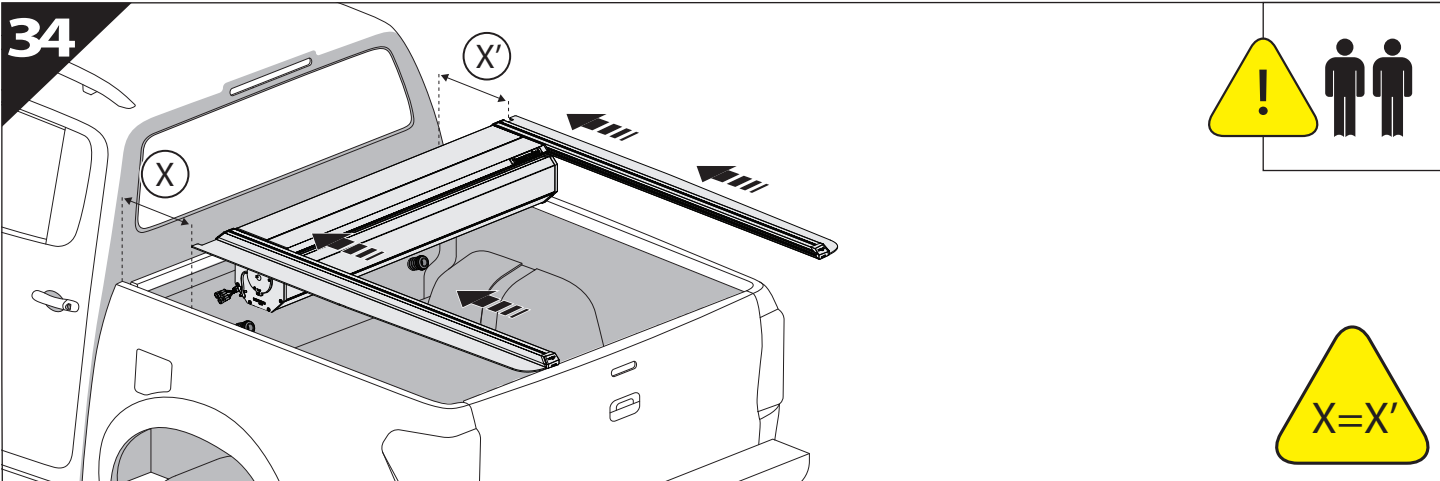


29

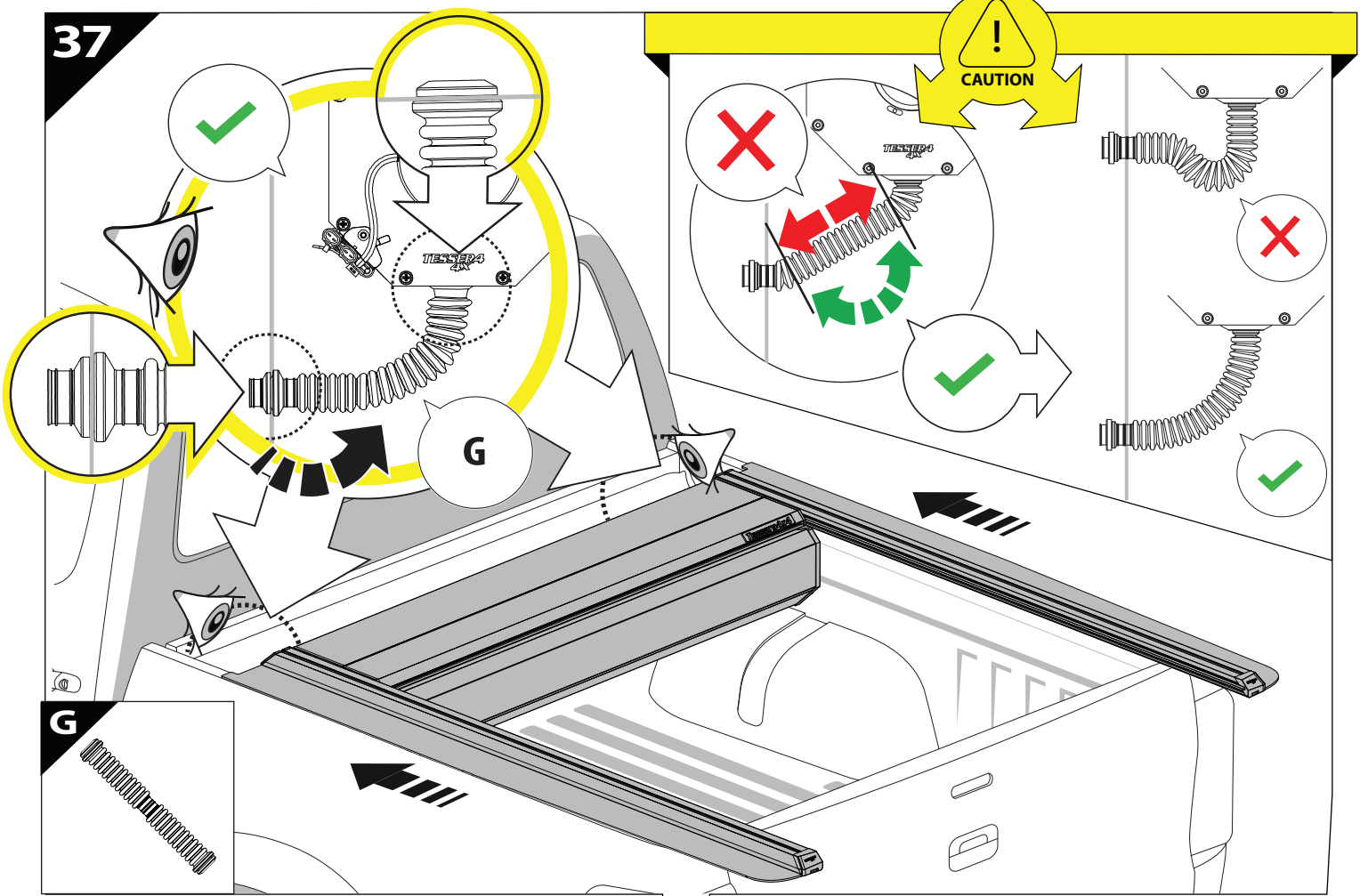




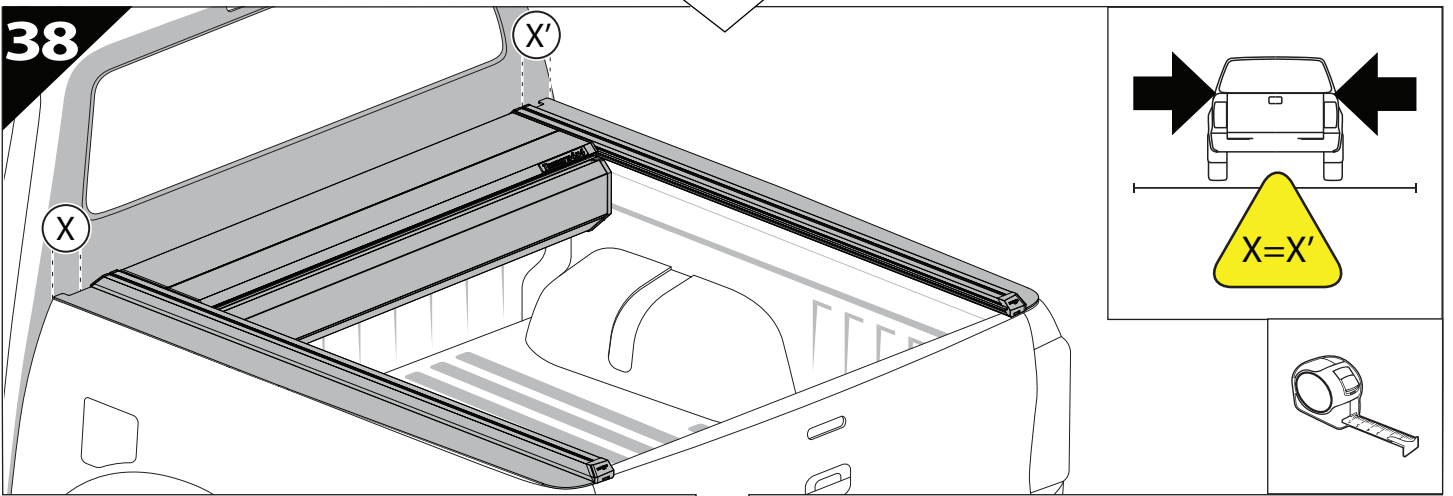




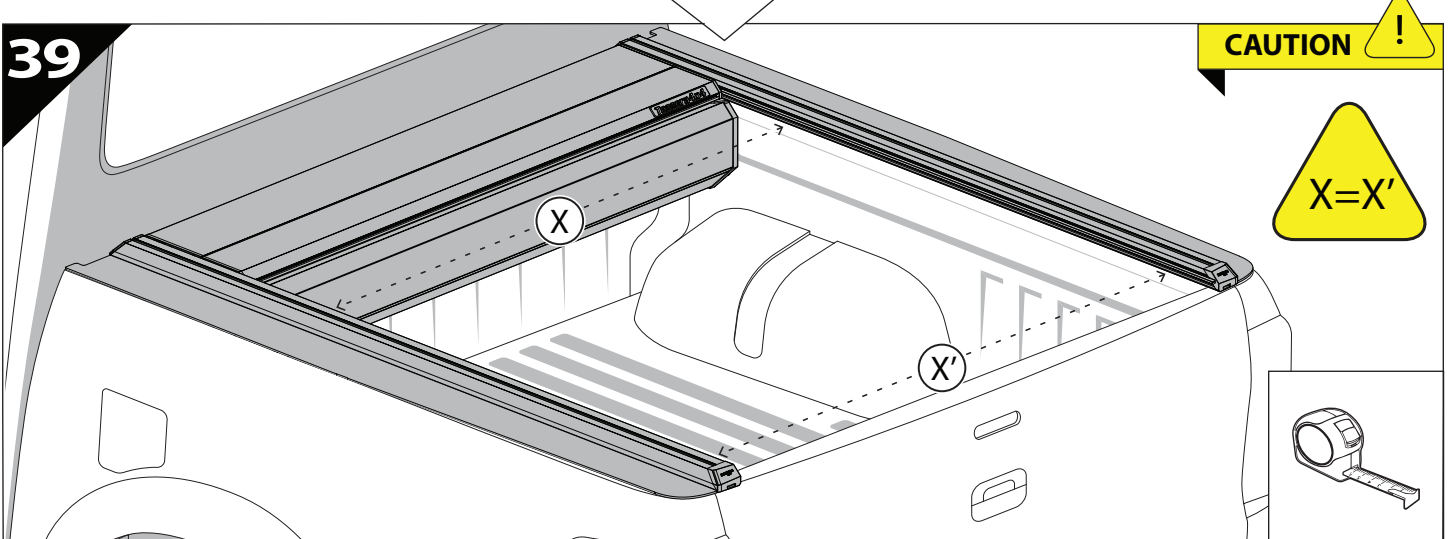
37

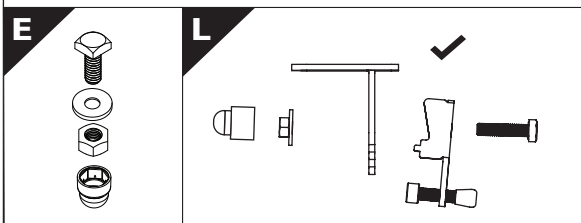
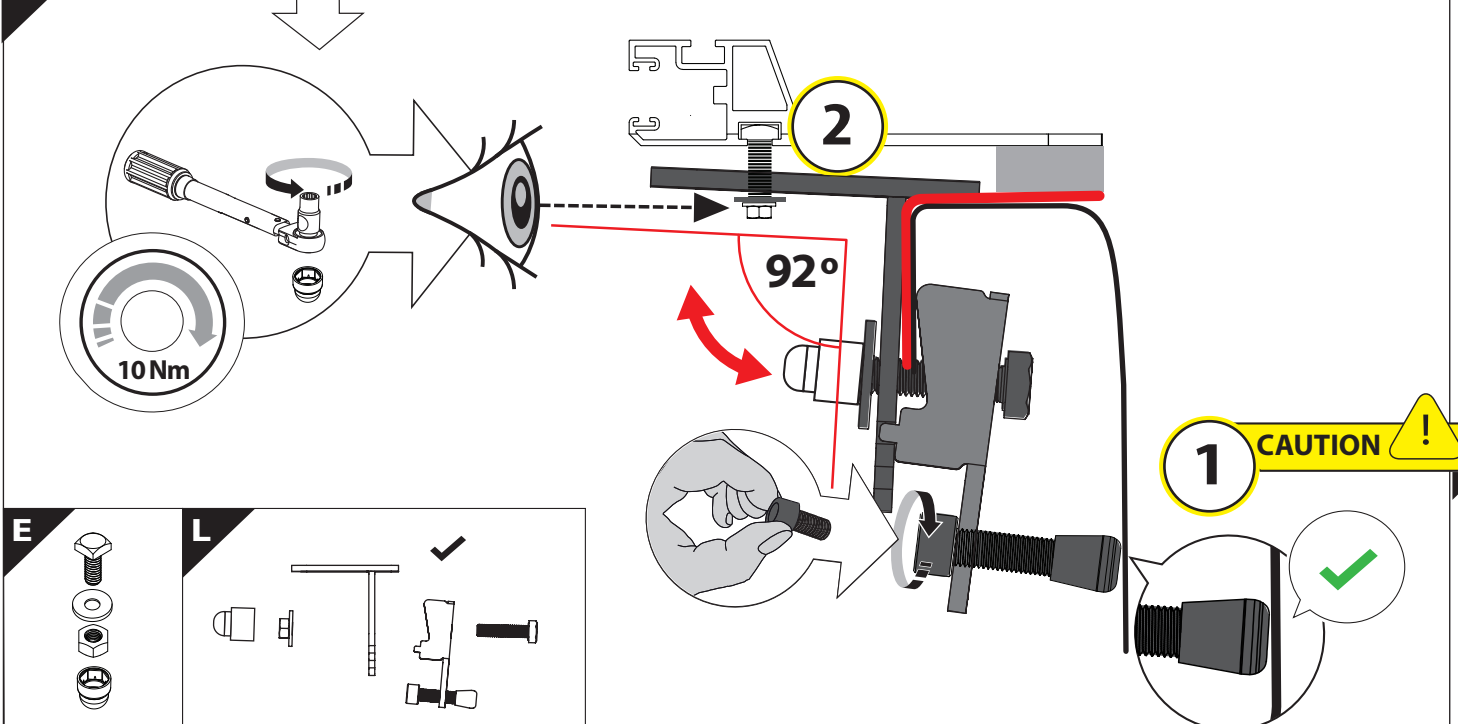
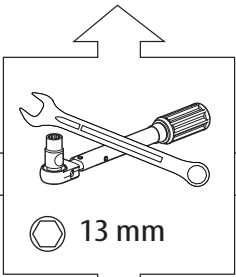
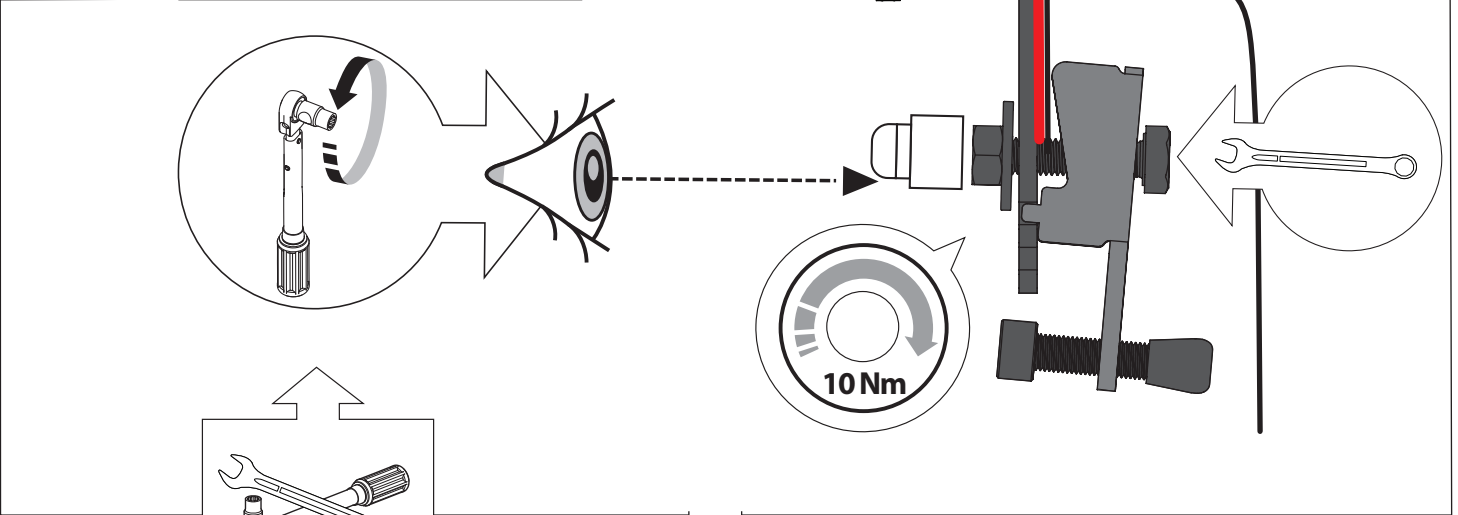
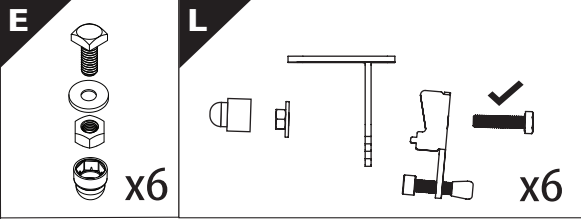
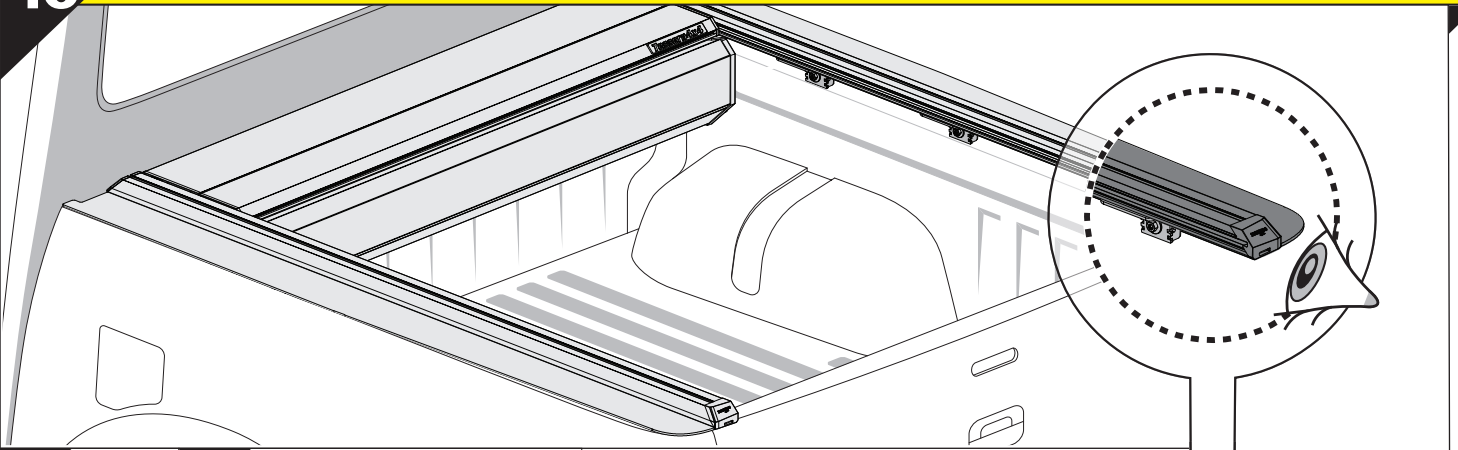


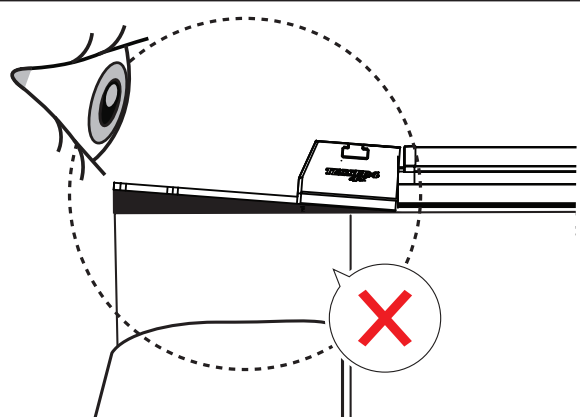
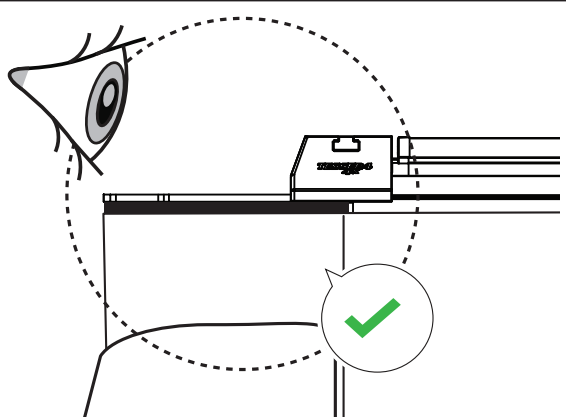
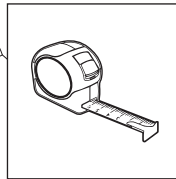
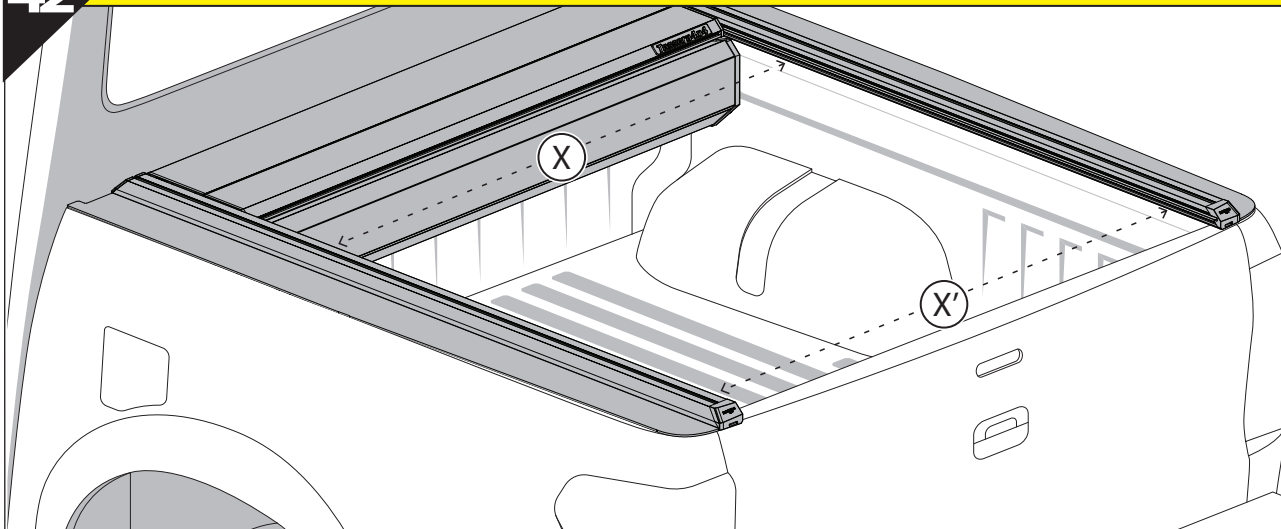
38



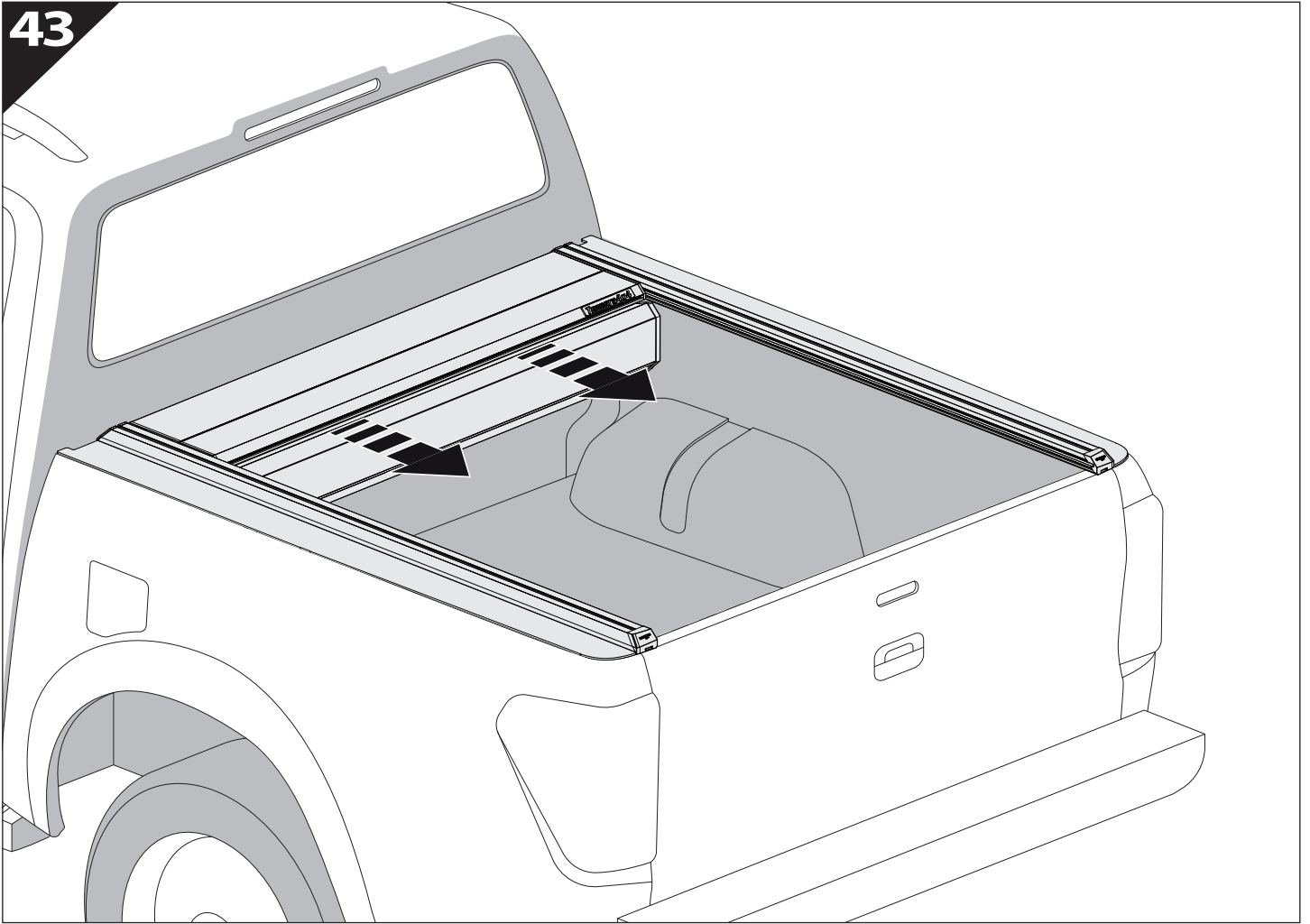
39



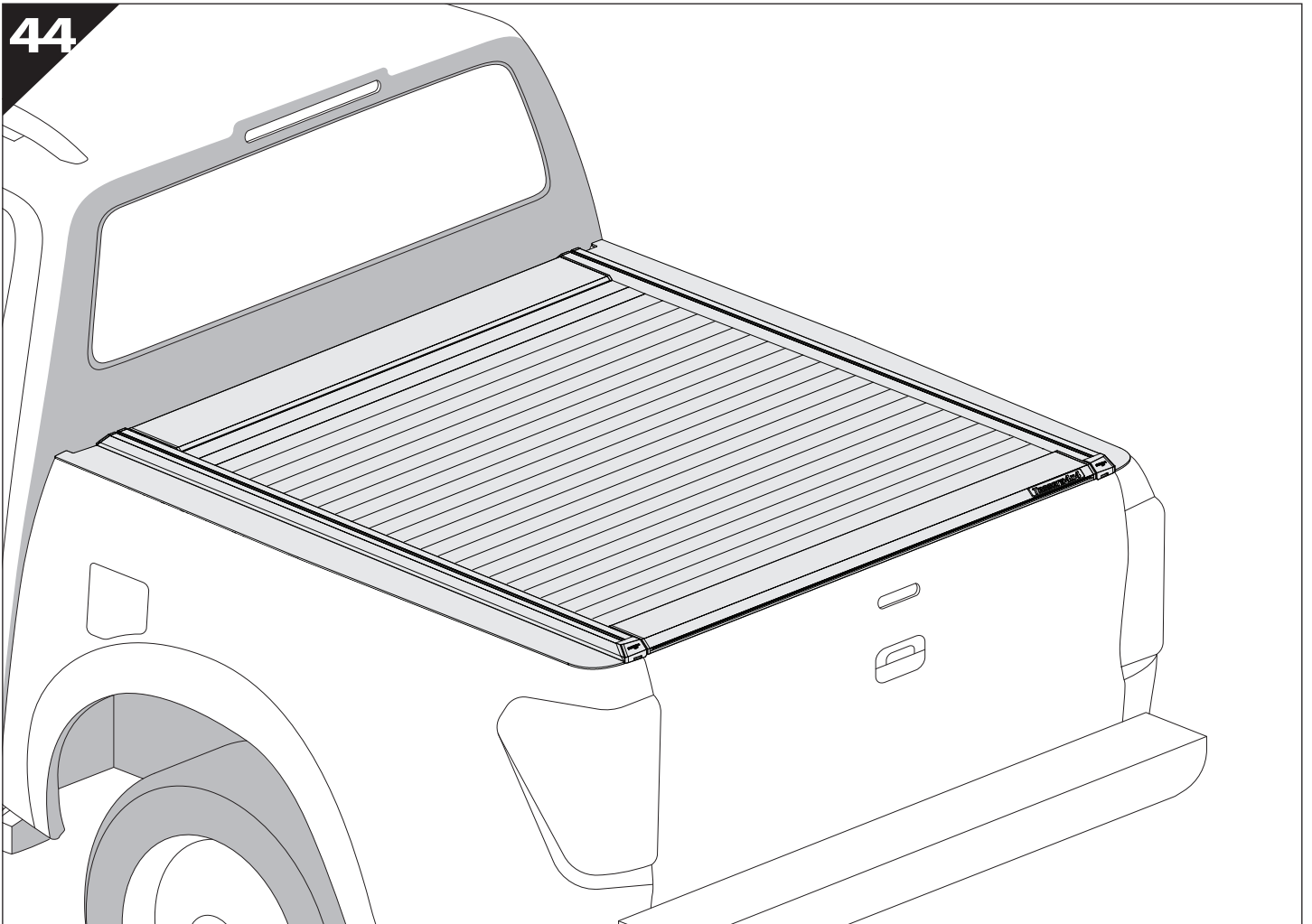




43



44







**GR:** Οδηγίες Εγκατάστασης  
**GB:** Installation manual  
**SF:** Asennusohje  
**F:** Notice de montage  
**PL:** Instrukcja montażu  
**NL:** Installatie-instructies  
**TR:** Montaj Talimatı  
**S:** Monteringsanvisning  
**E:** Instrucciones de montaje

**H:** Szerelési utasítás  
**P:** Instruções de instalação  
**RUS:** Инструкция по установке  
**N:** Monteringsveiledning  
**D:** Einbauanleitung  
**CZ:** Návod k instalaci  
**I:** Istruzioni de montaggio  
**DK:** Monteringsvejledning  
**RO:** Instructiuni de instalare

Customer Service:

+30 (210) 5541161, +30 (210) 5541154 (08:00 - 16:00 EET)

Support department:

[info@gianso.gr](mailto:info@gianso.gr)

Website:

[www.tessera4x4.com](http://www.tessera4x4.com)

Address:

19.5 km of National road Athens-Korinthos (Elefsina) Greece, P.C: 19200