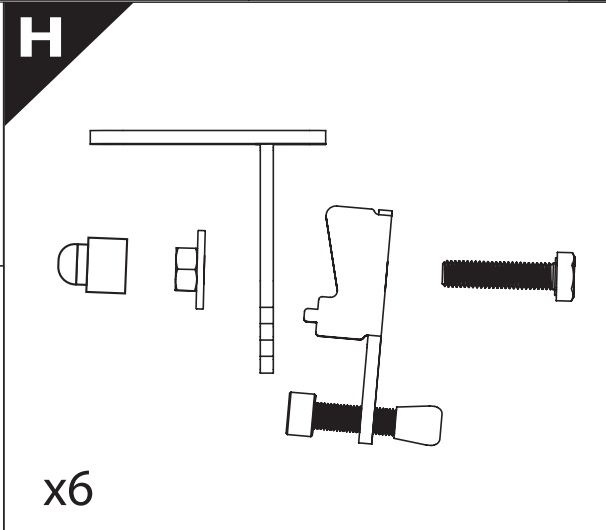
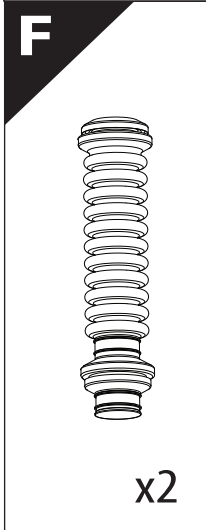
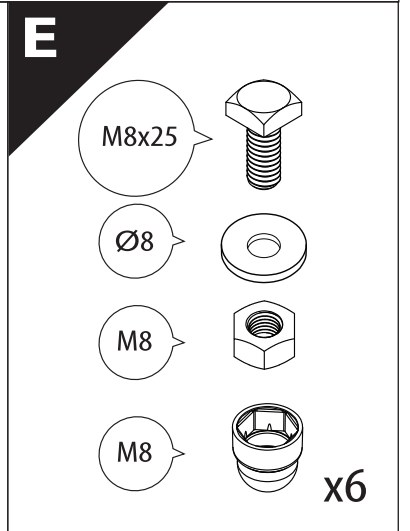
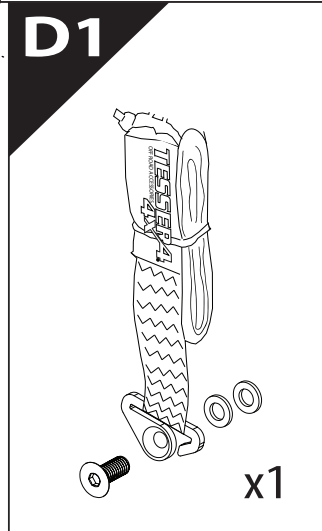
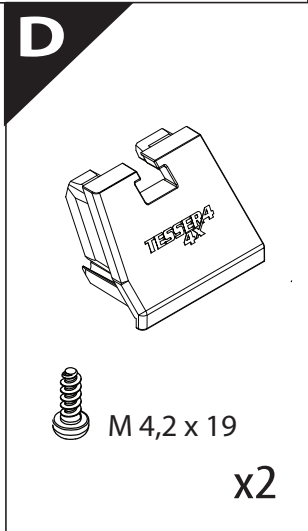
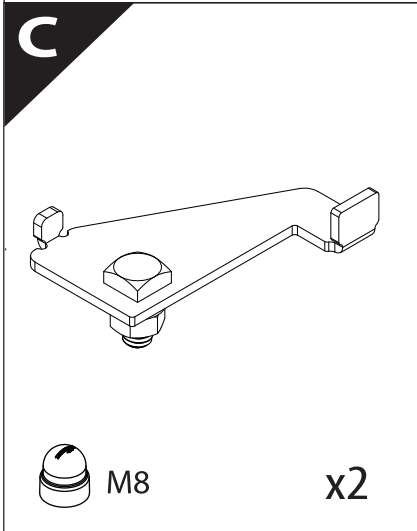
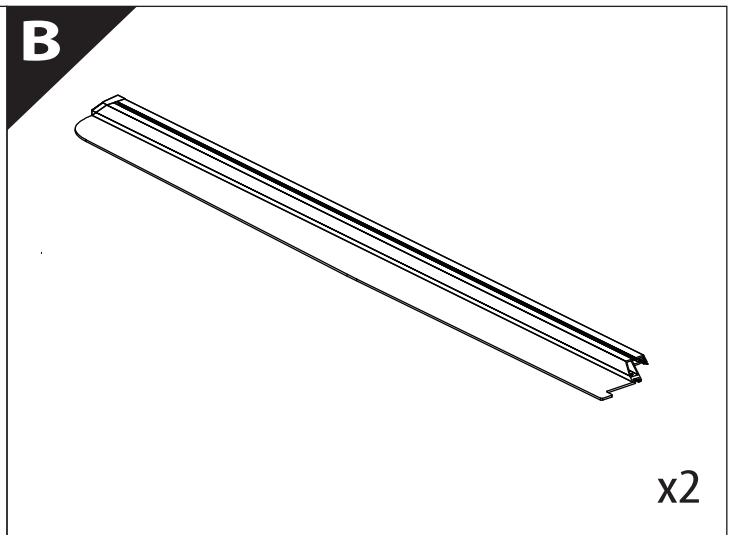
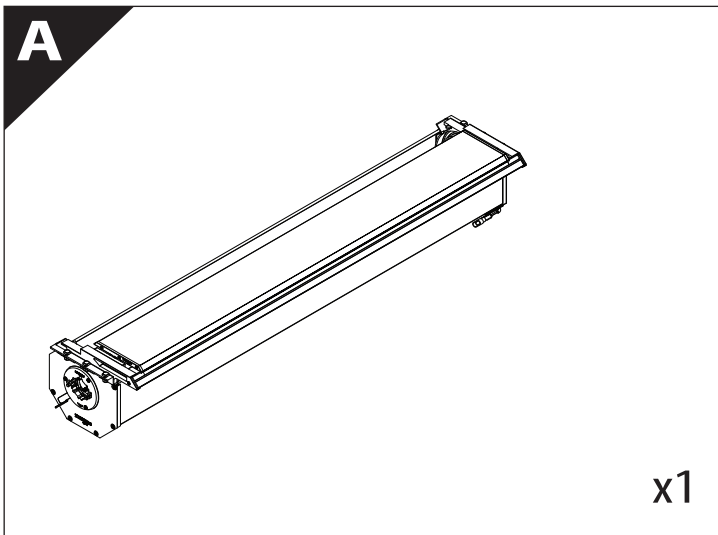
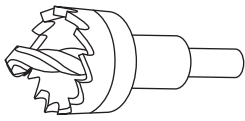




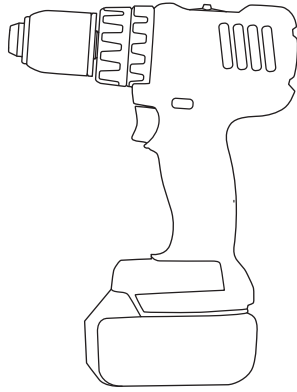
Installation Manual

PART NUMBER(S)	Model Year
TESS 15211 SE	Ford F-150 2015 -> 2020 & 2021+
TESS 15212 SE	
Cab(s)	Installation Time / Weight
Double Cab	40-60 minutes / 53-57 kg





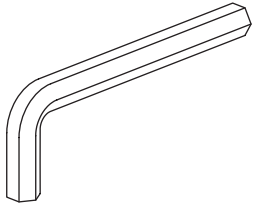
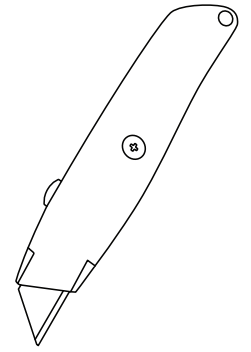
Ø 25 mm



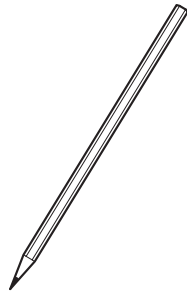
-



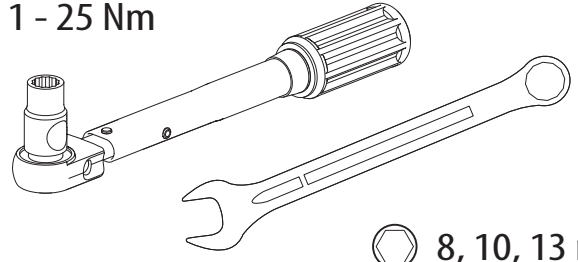
+



4 mm



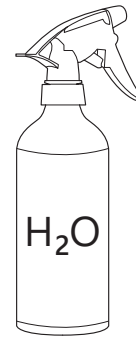
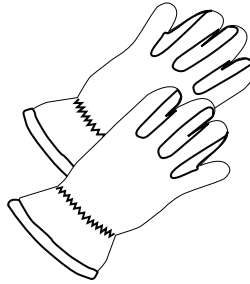
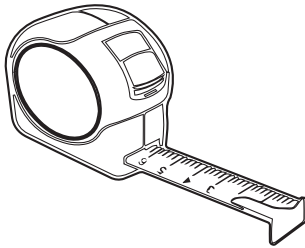
1 - 25 Nm



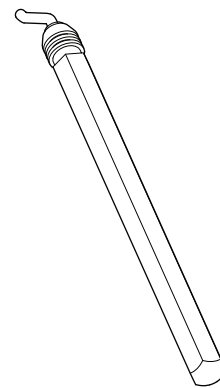
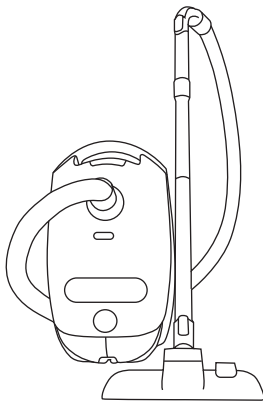
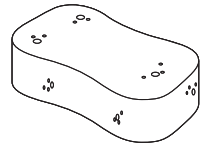
8, 10, 13 mm



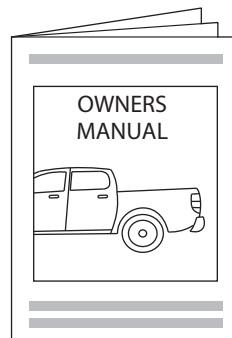
ACETONE



H₂O



INSTALLATION
MANUAL

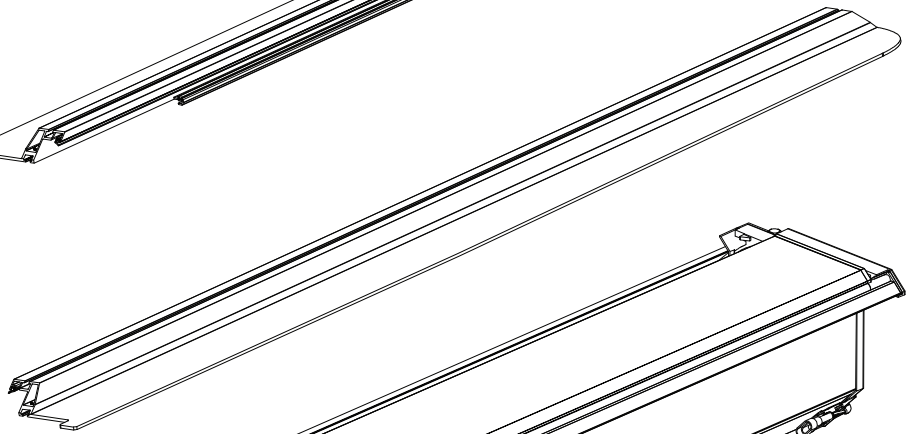


OWNERS
MANUAL

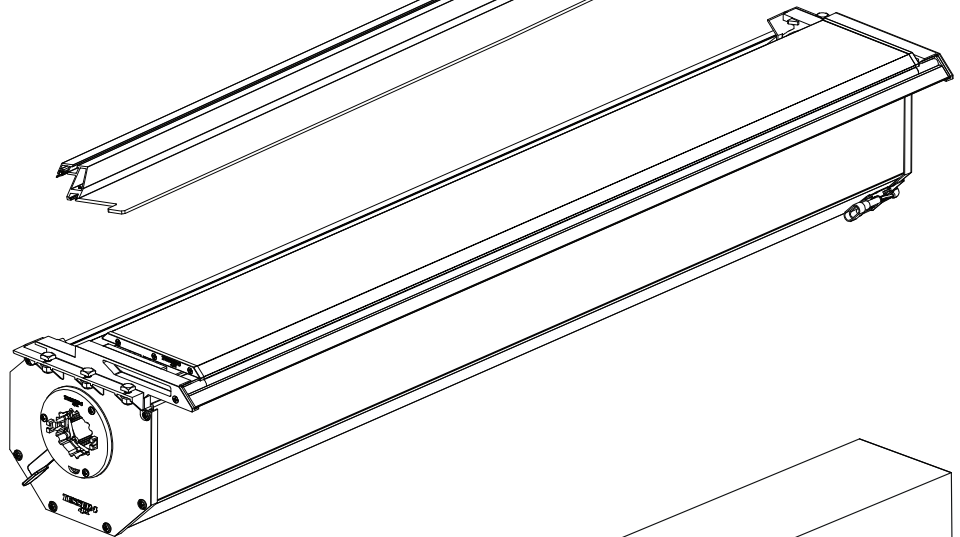
x1



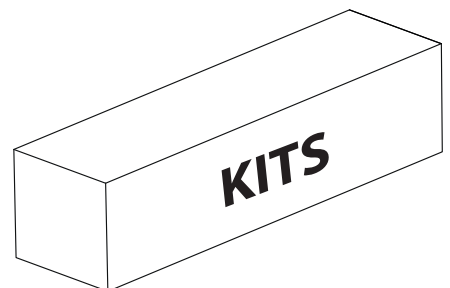
B



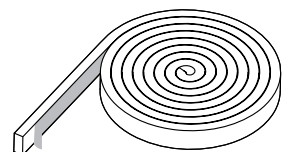
A

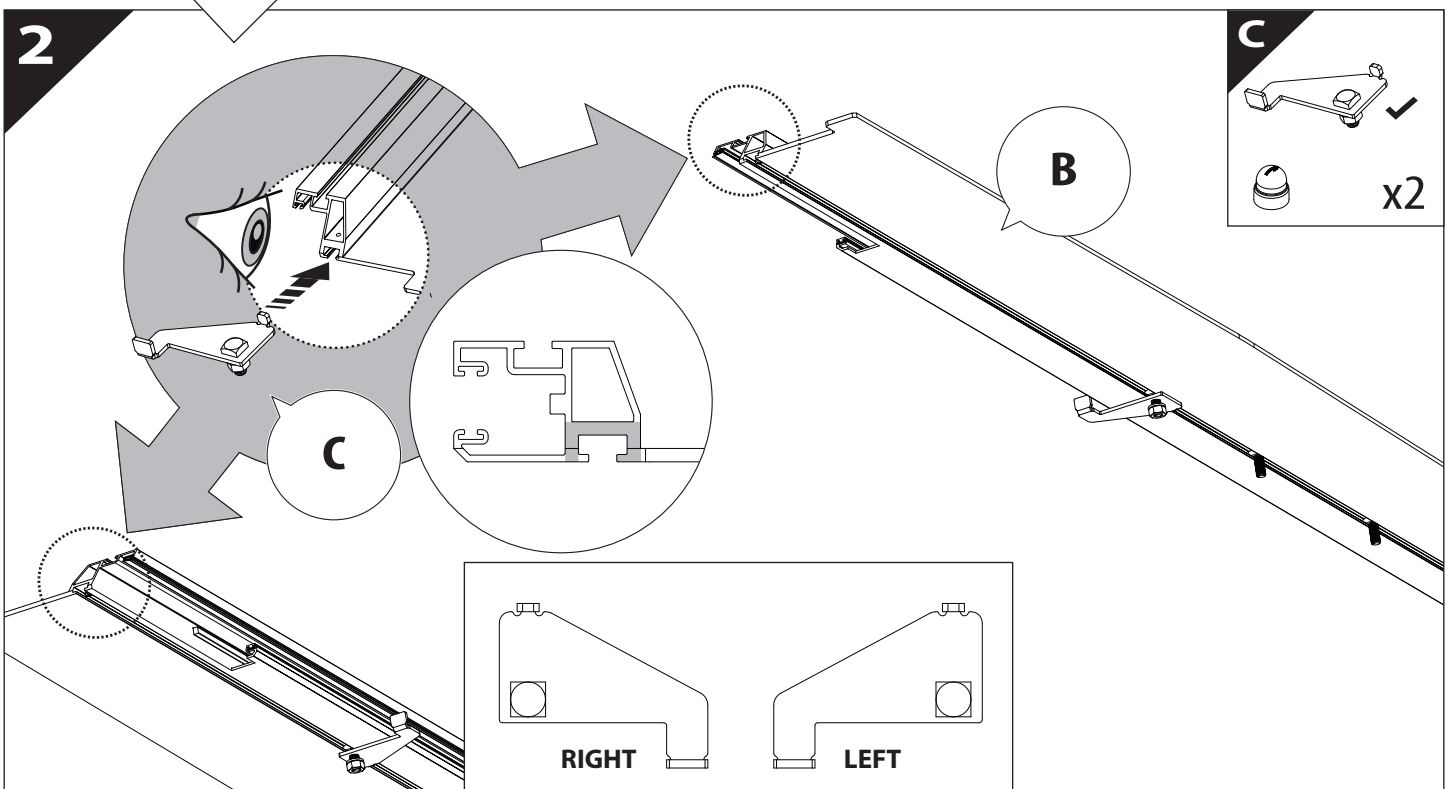
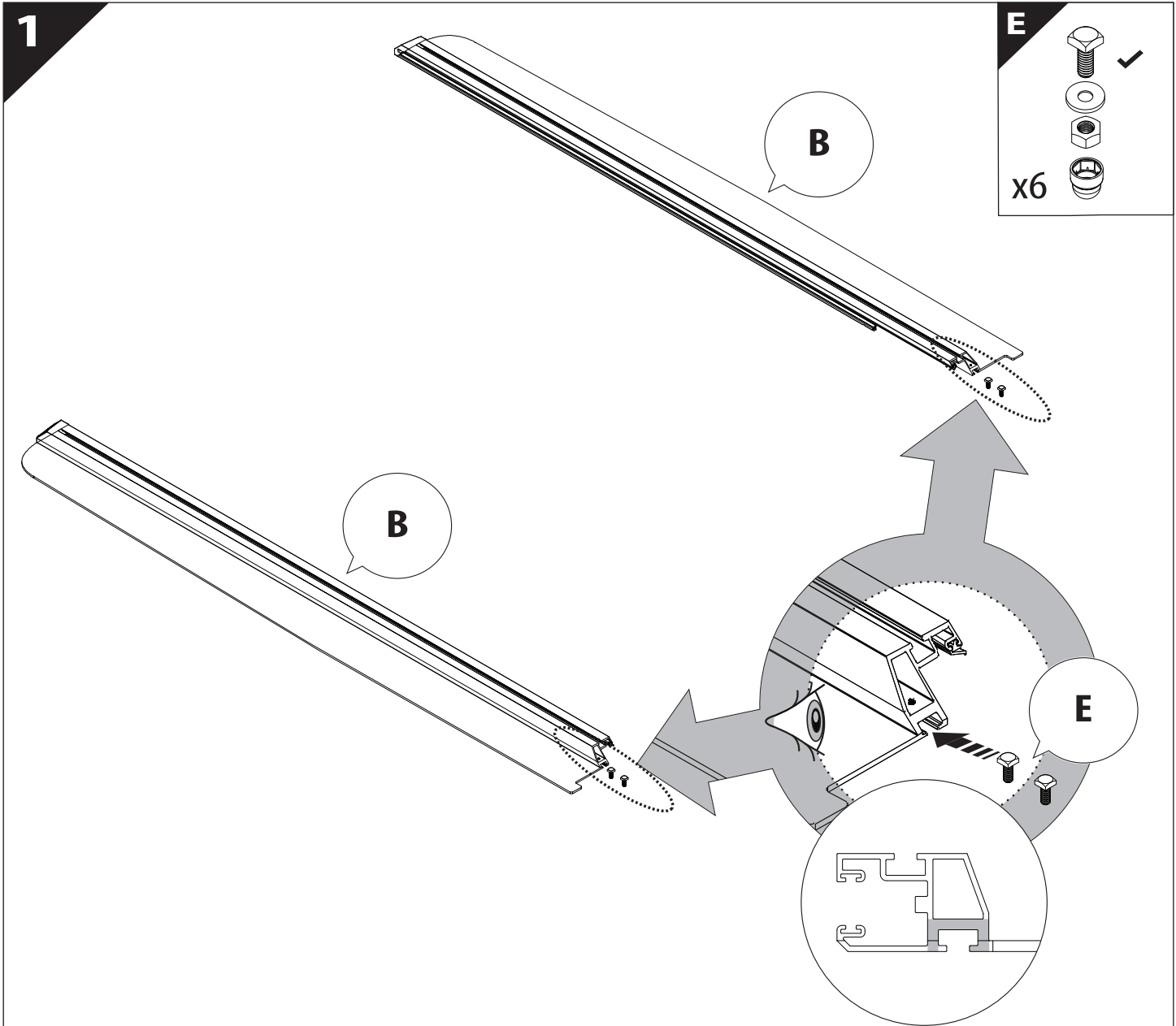


KITS

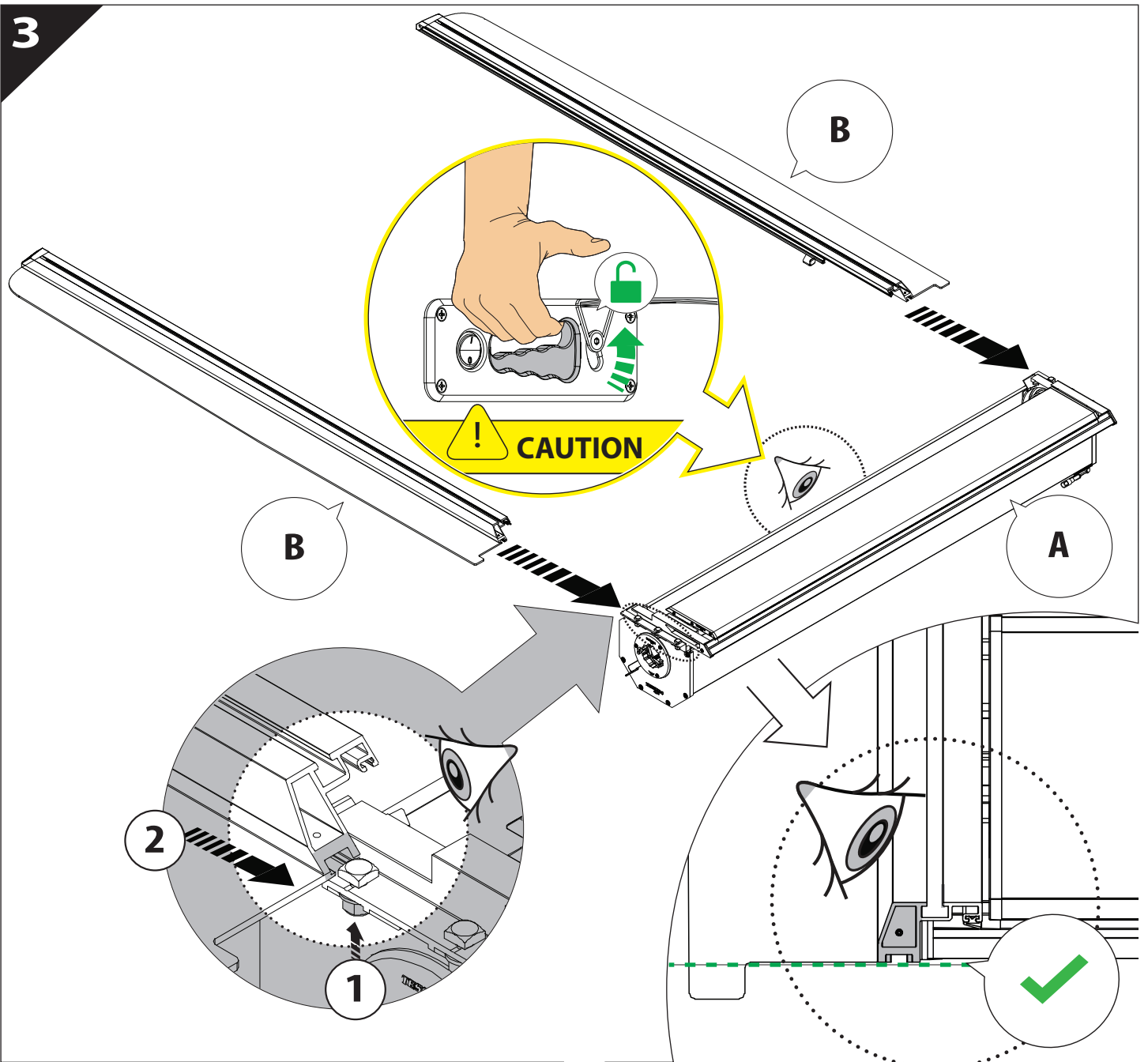


G

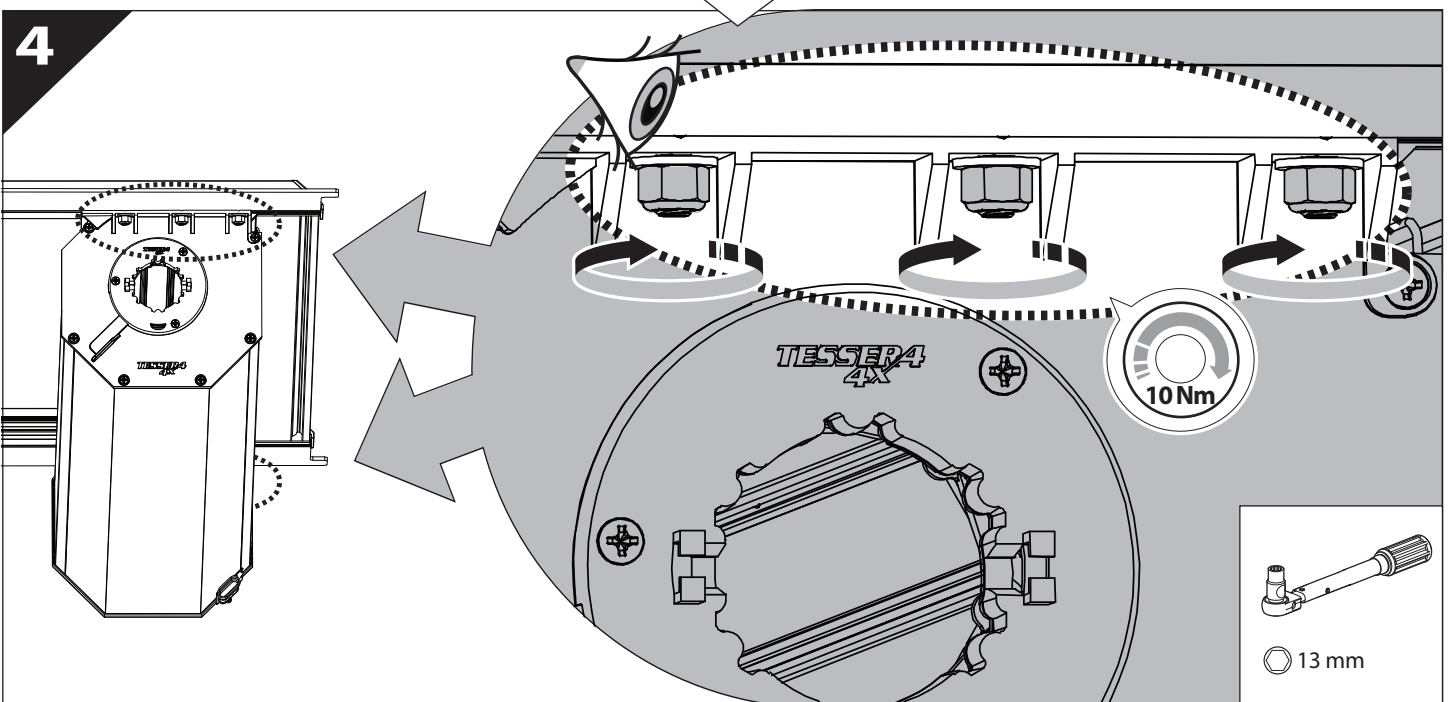


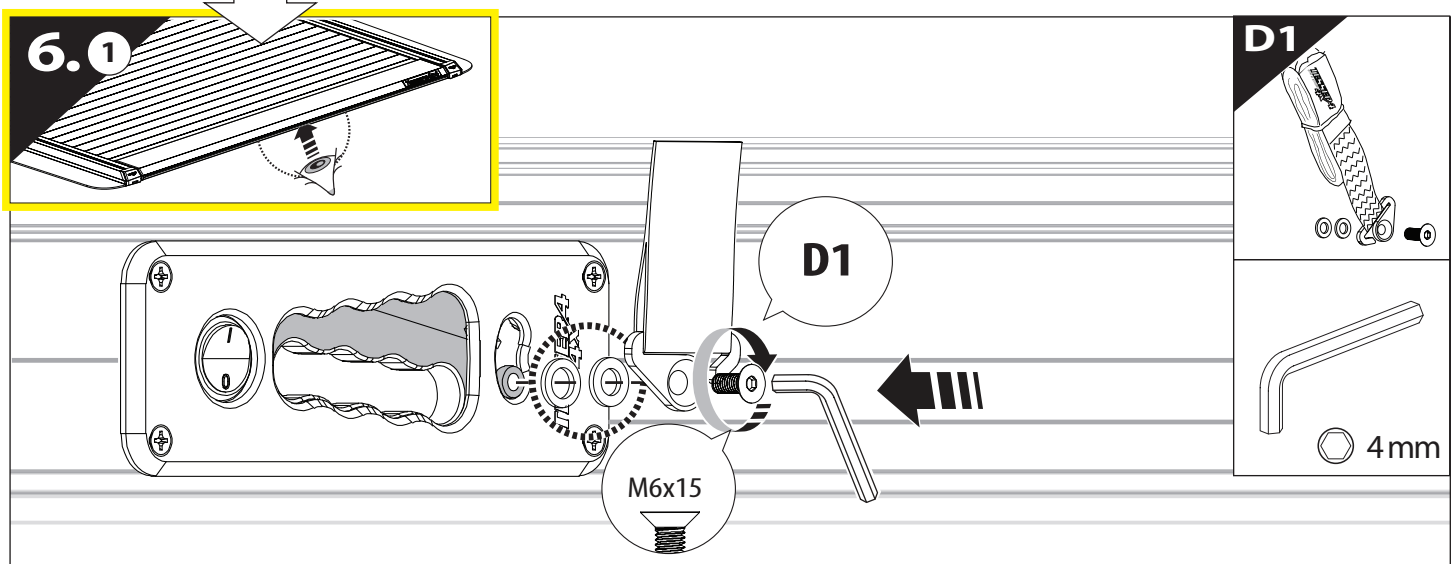
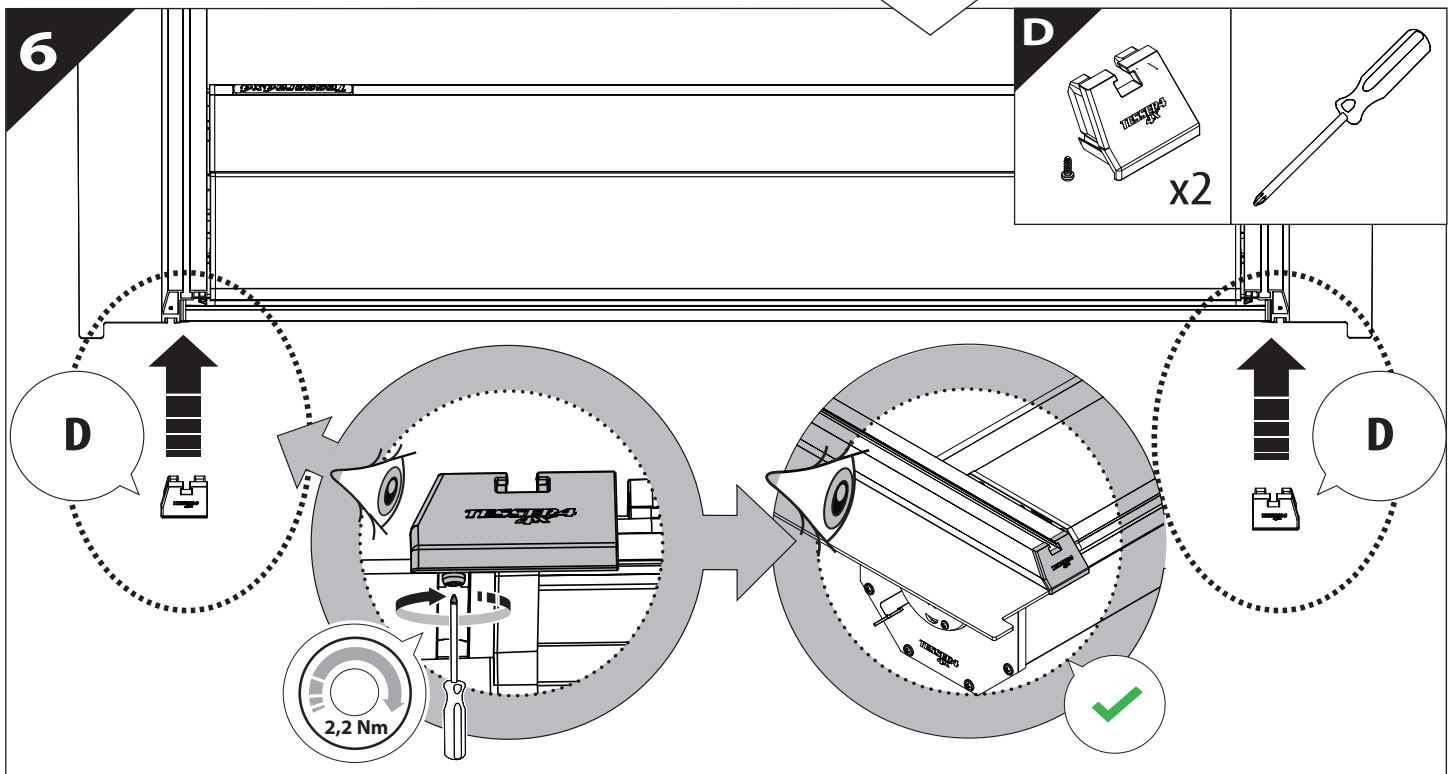
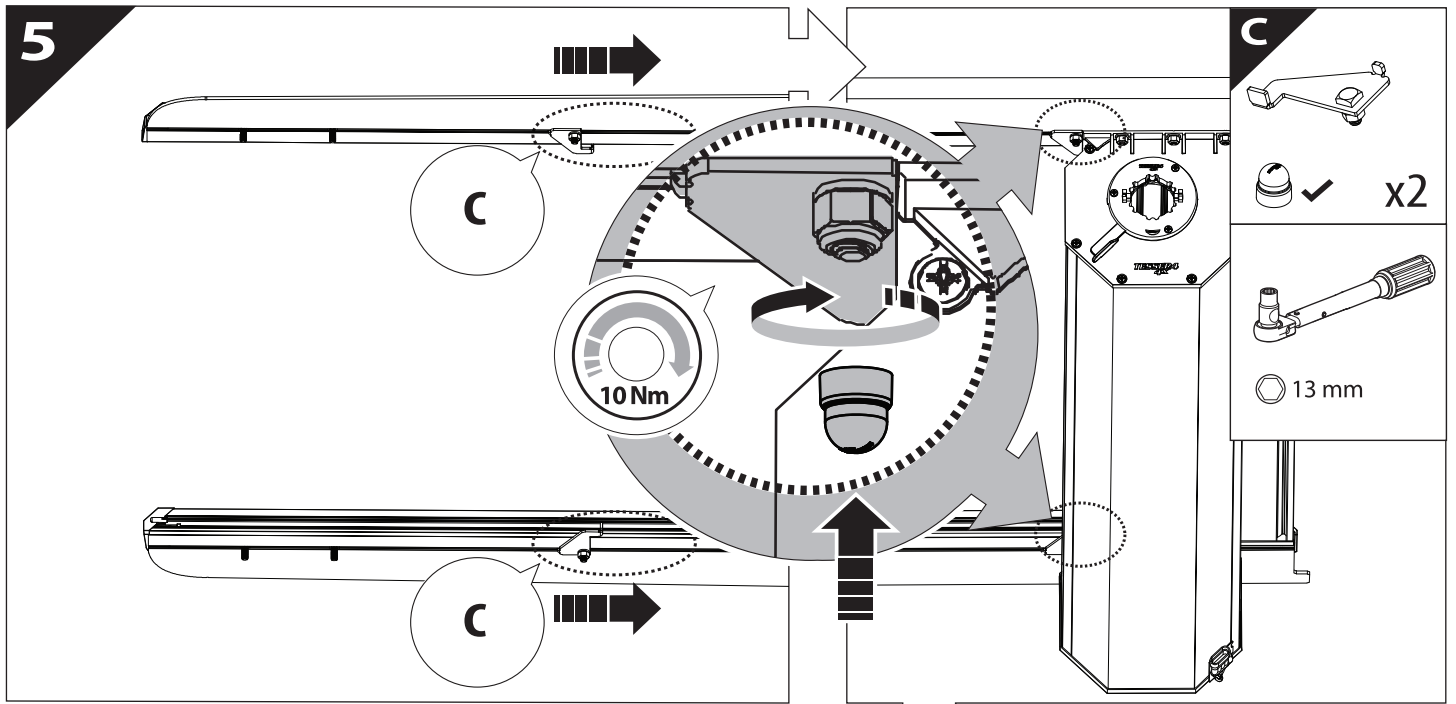


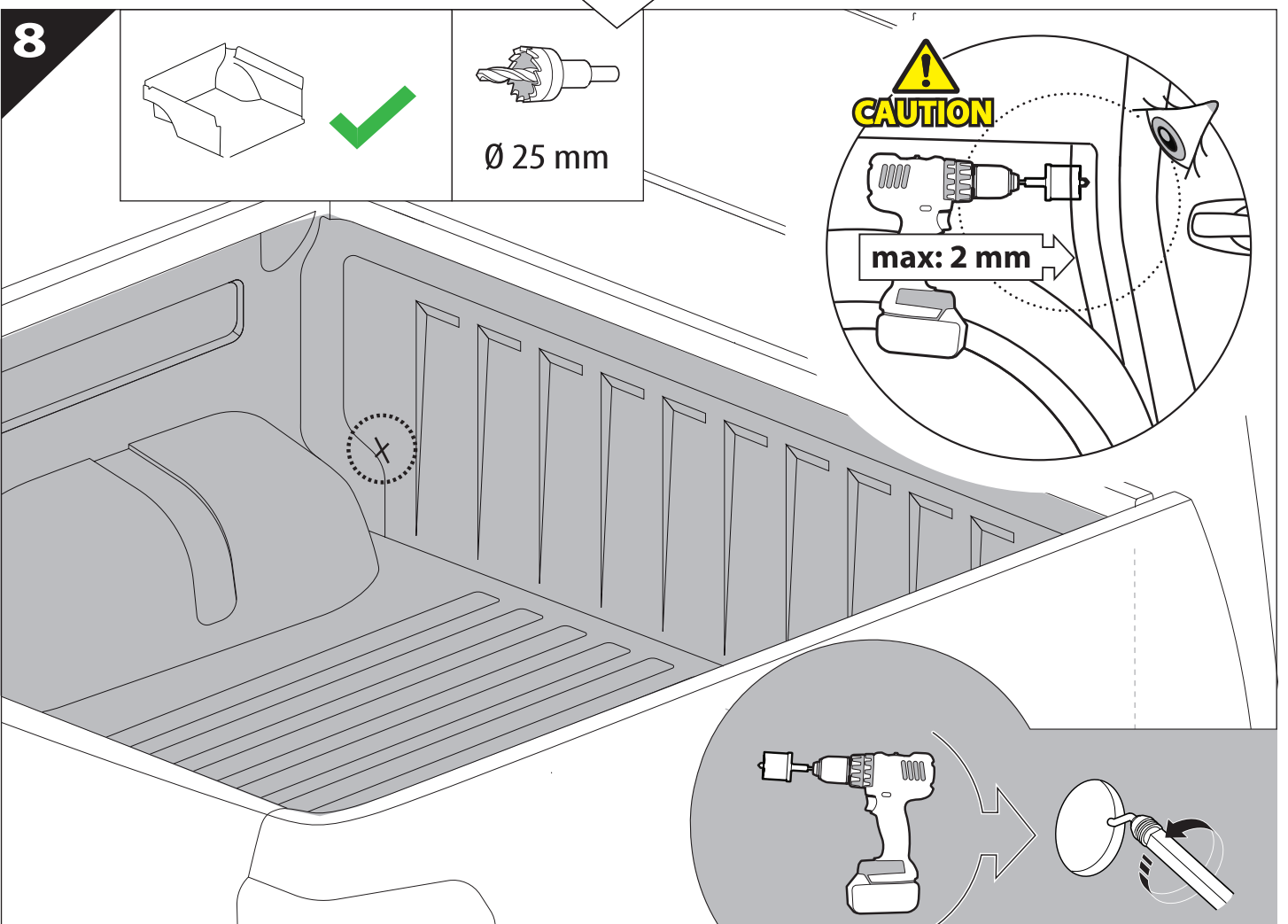
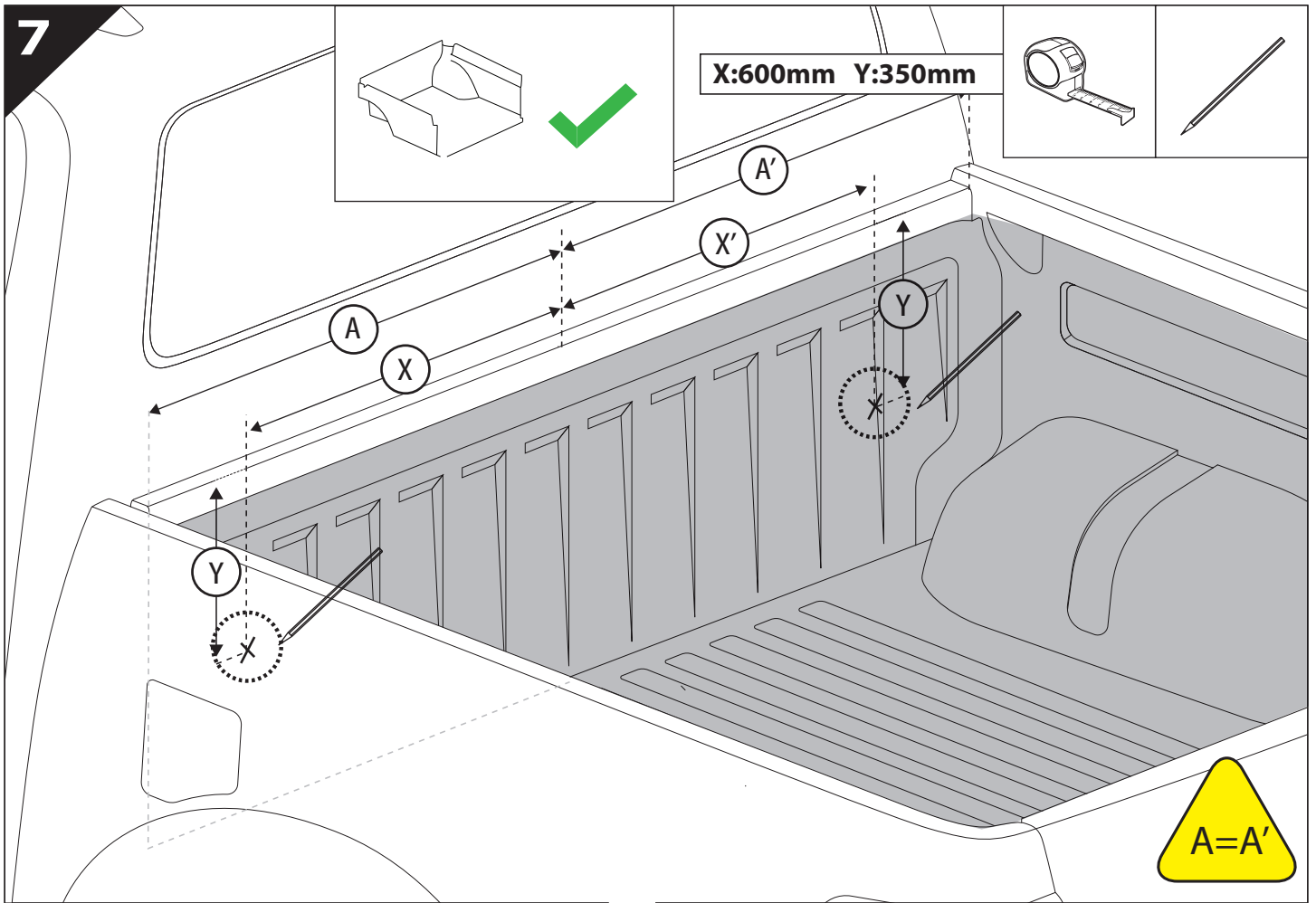
3



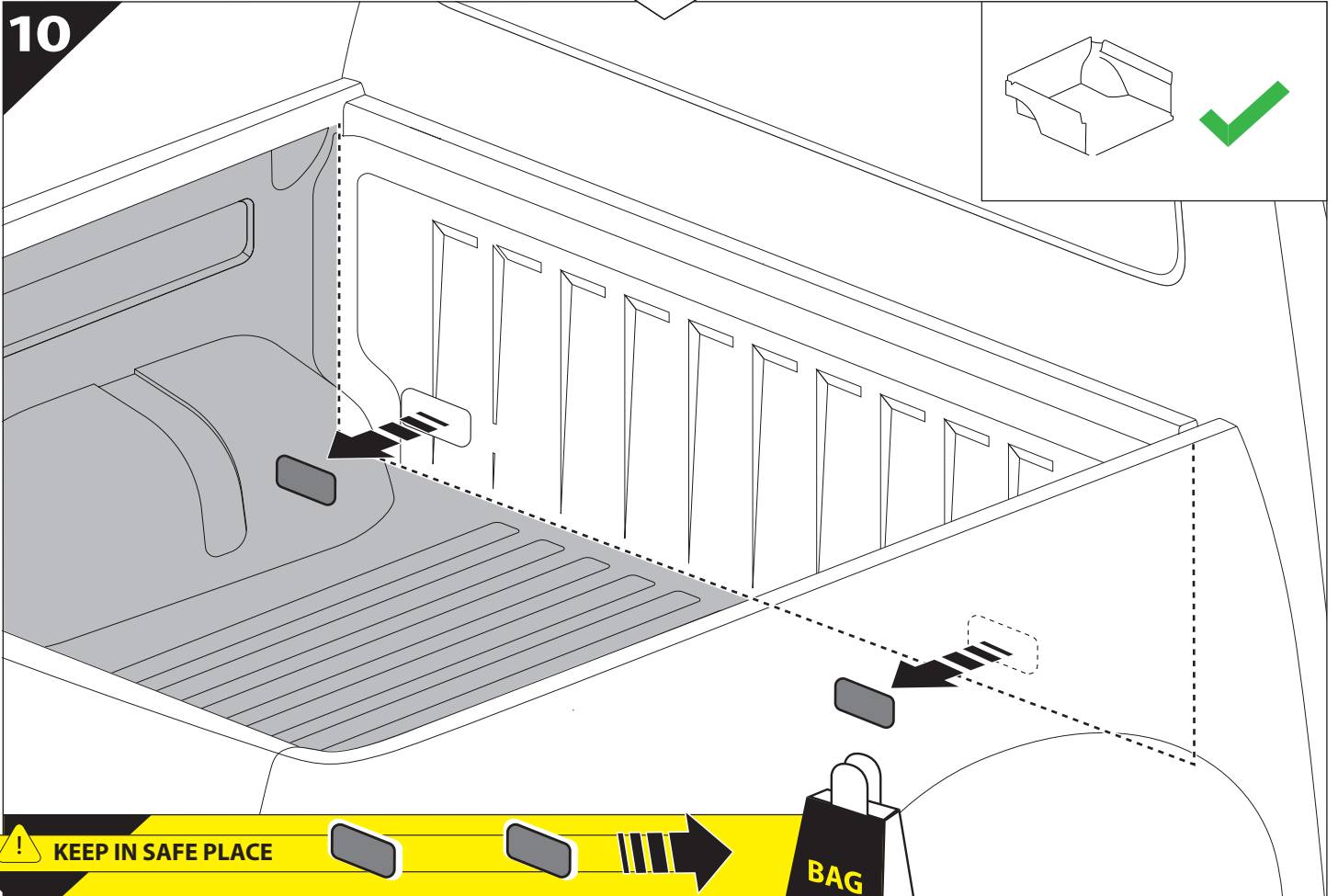
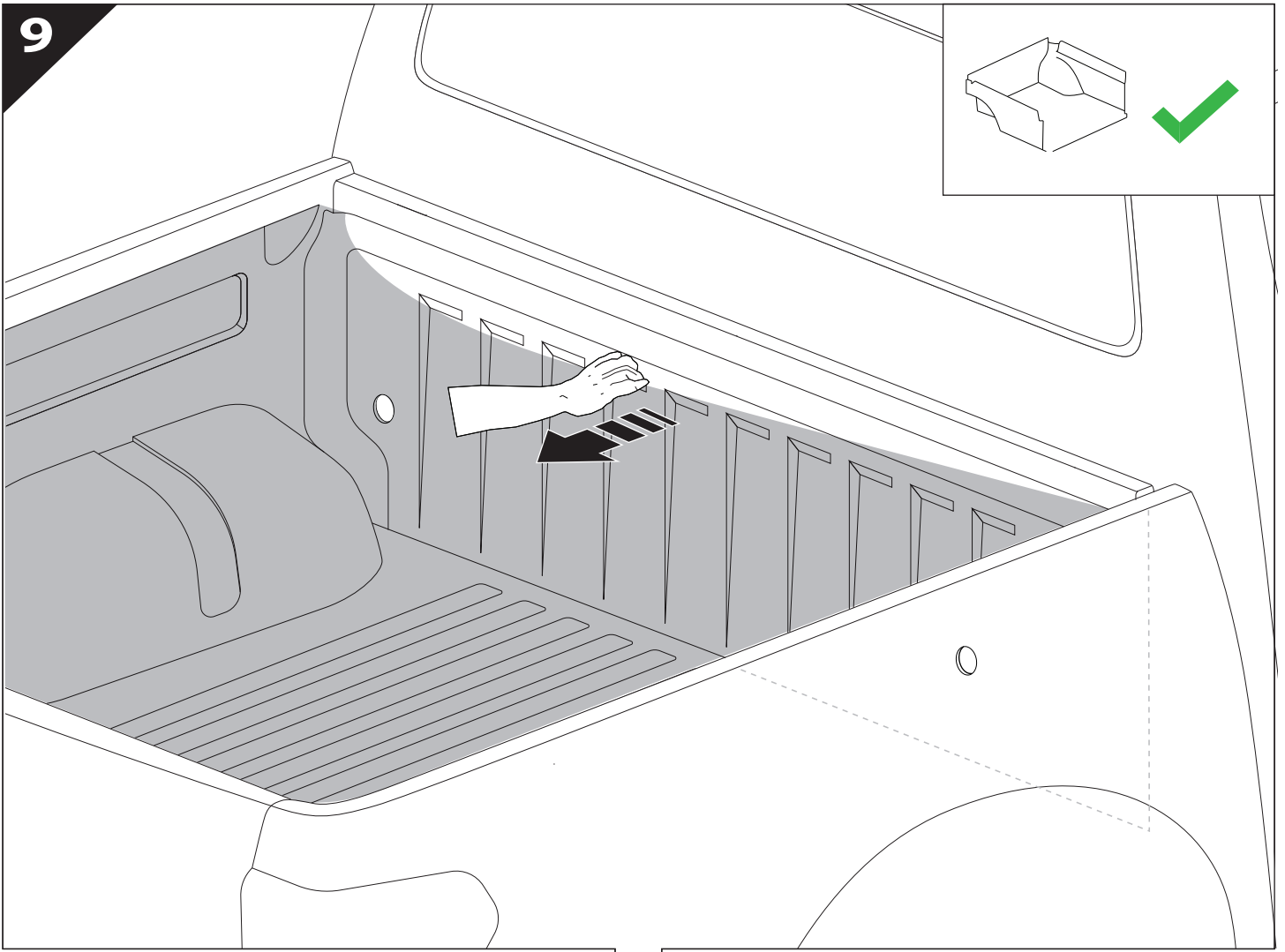
4



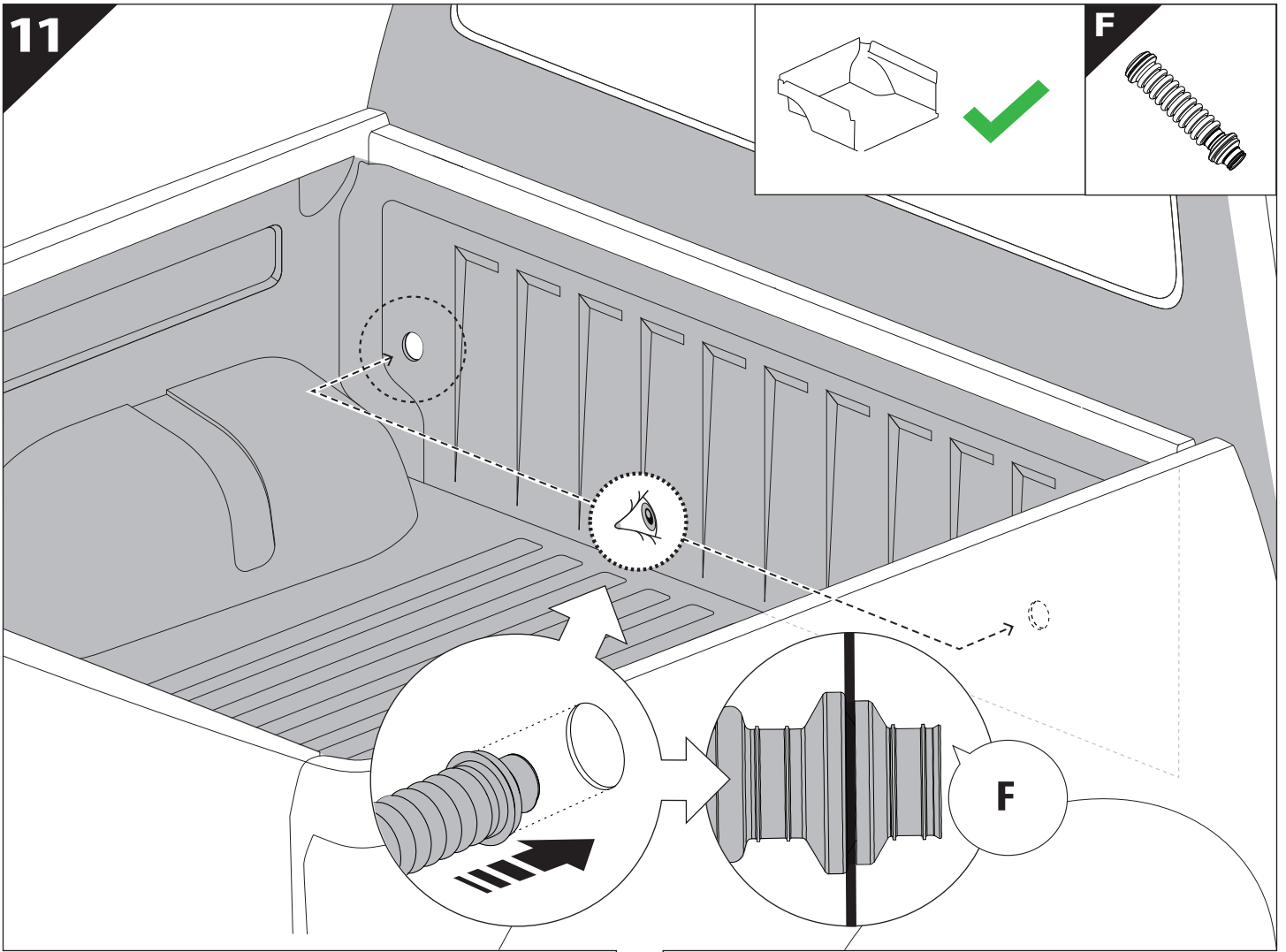




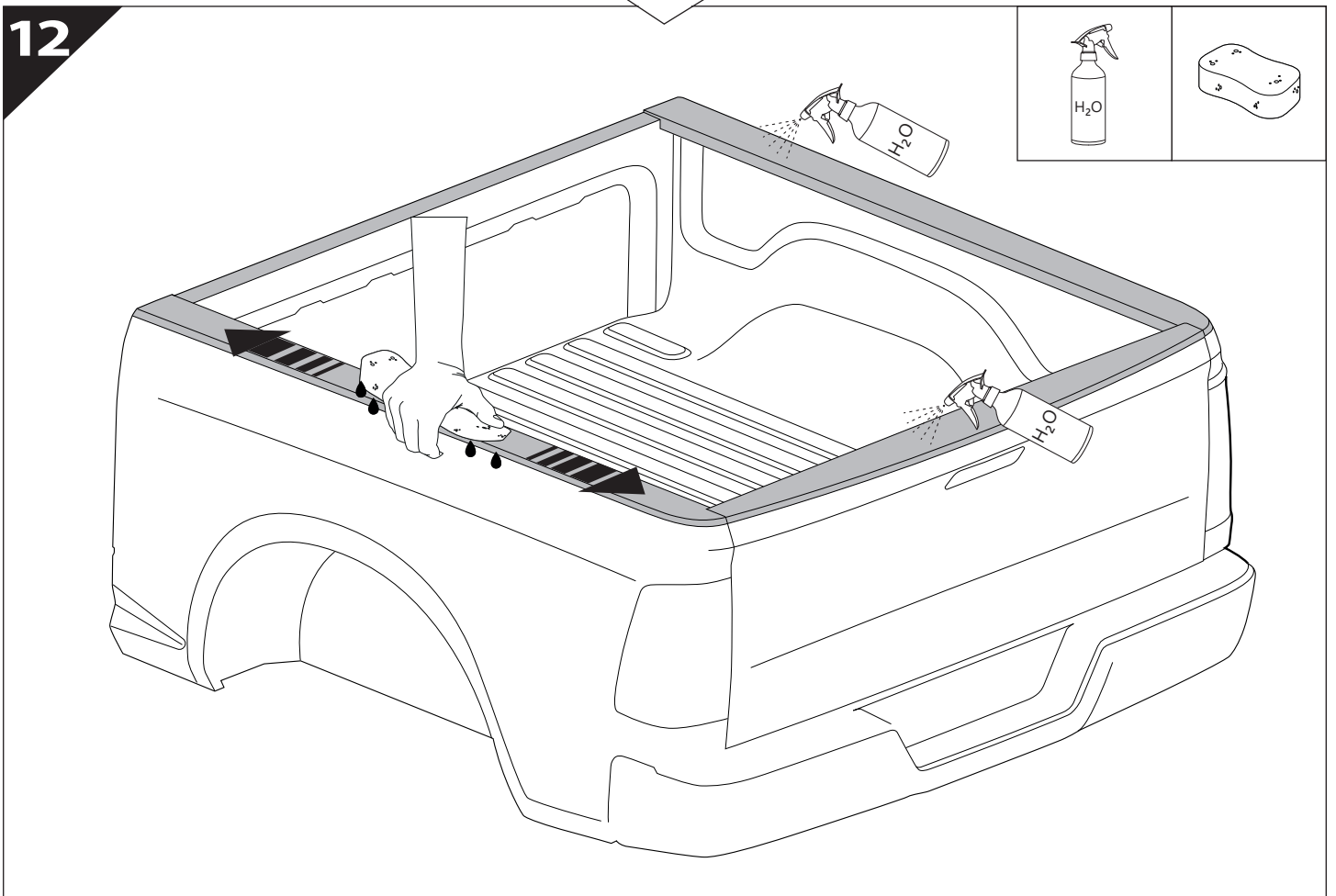
9

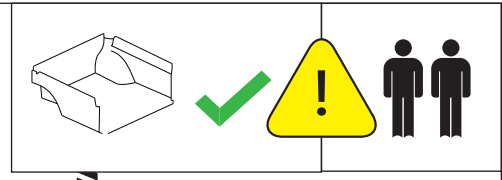
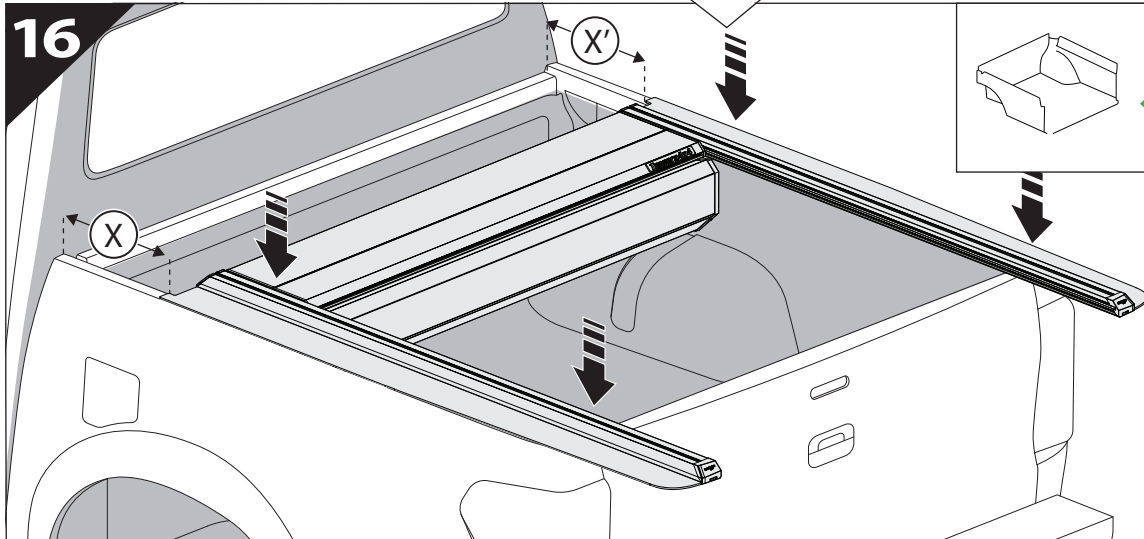
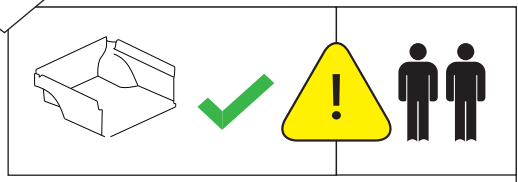
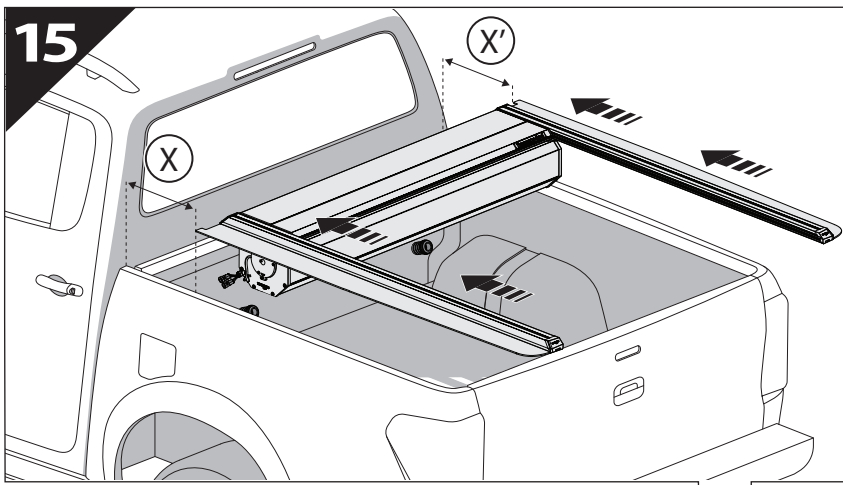
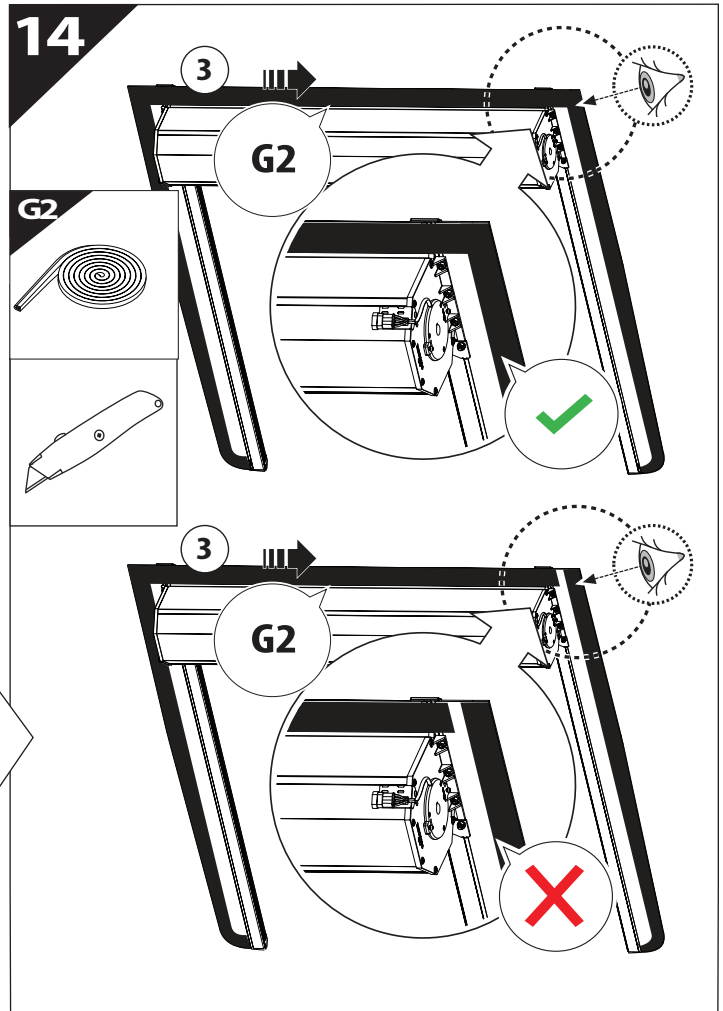
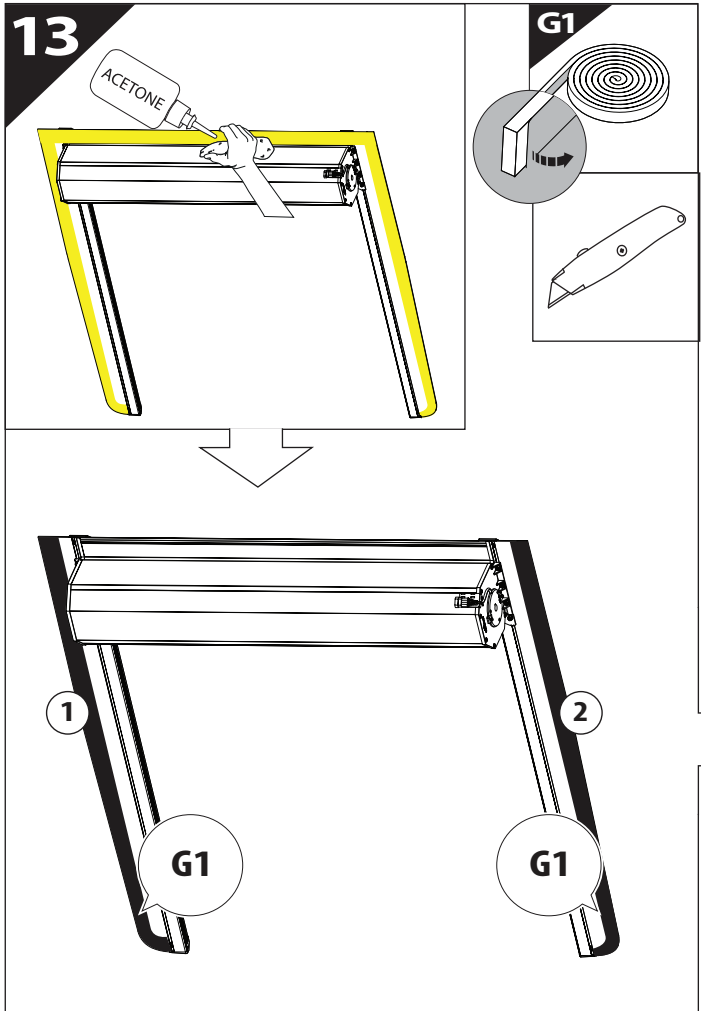


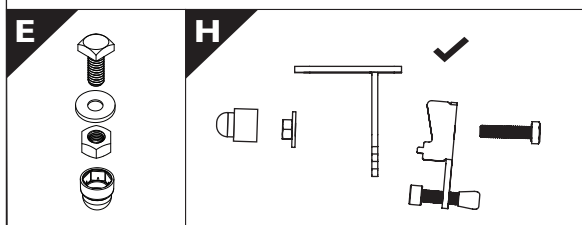
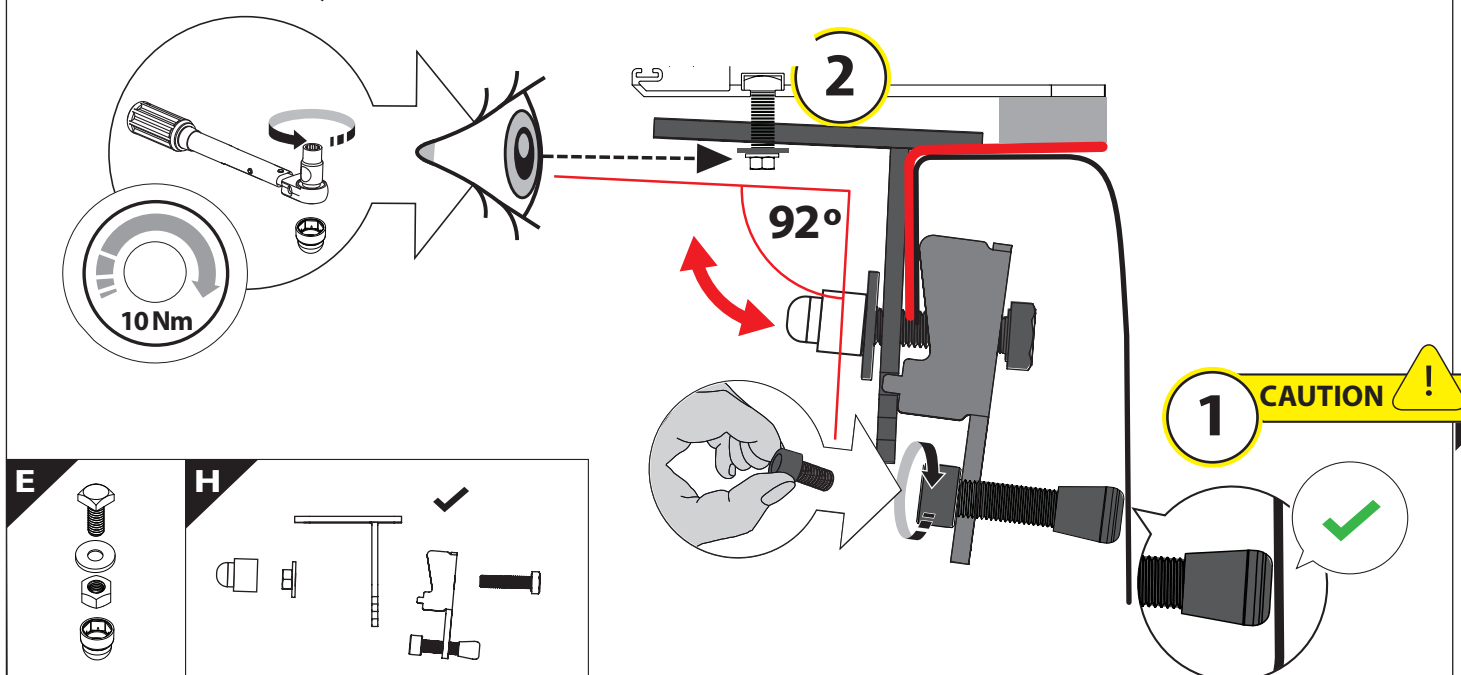
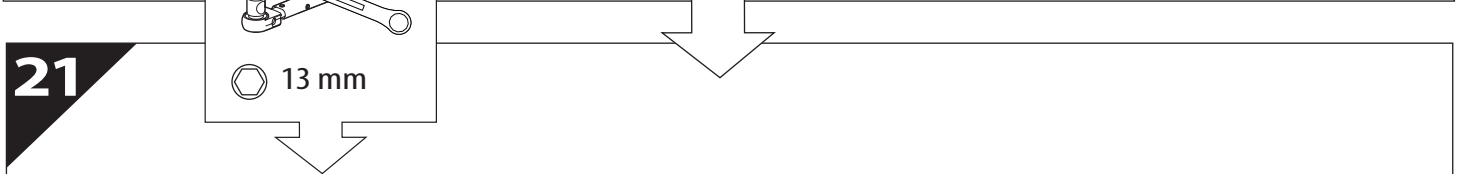
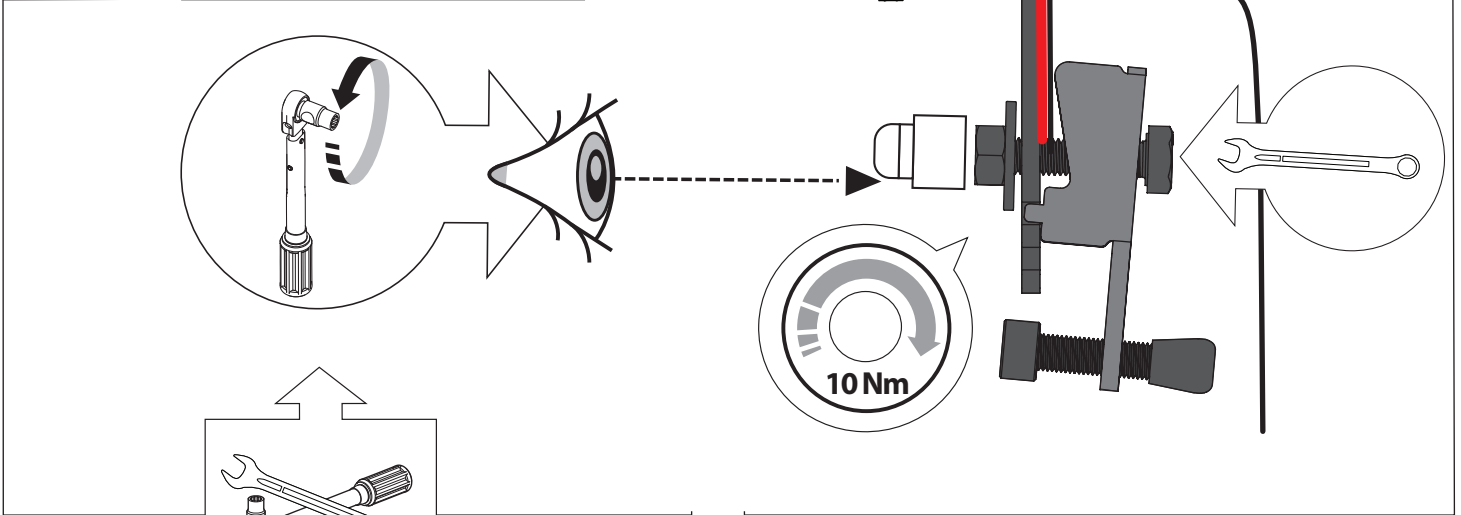
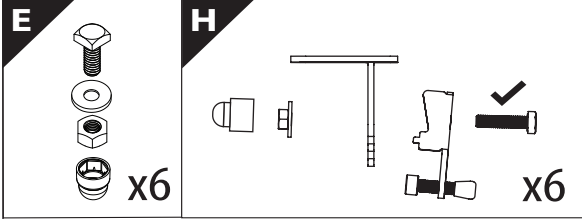
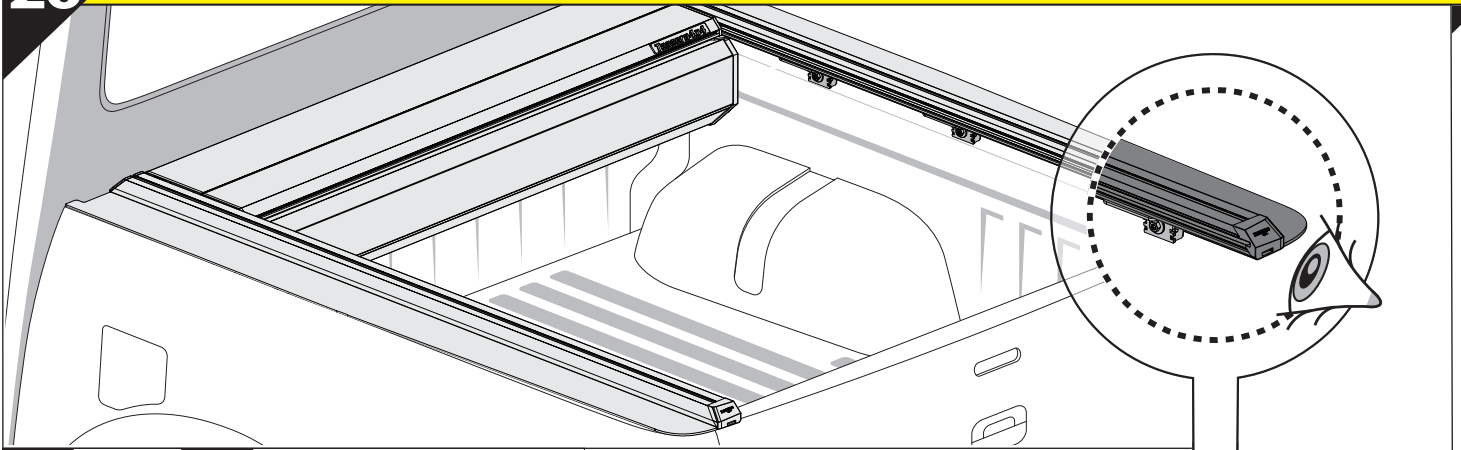
11

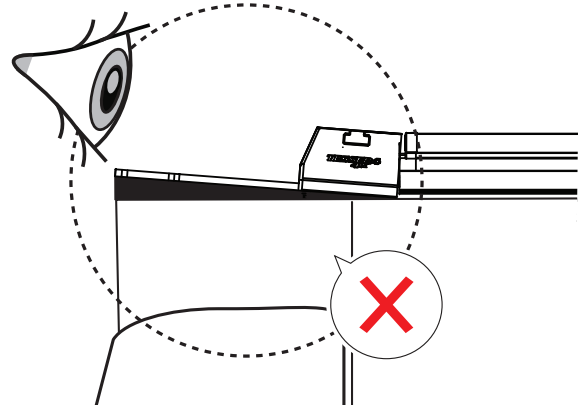
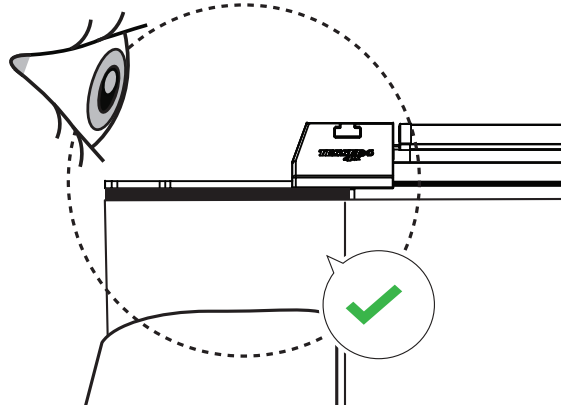
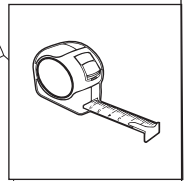
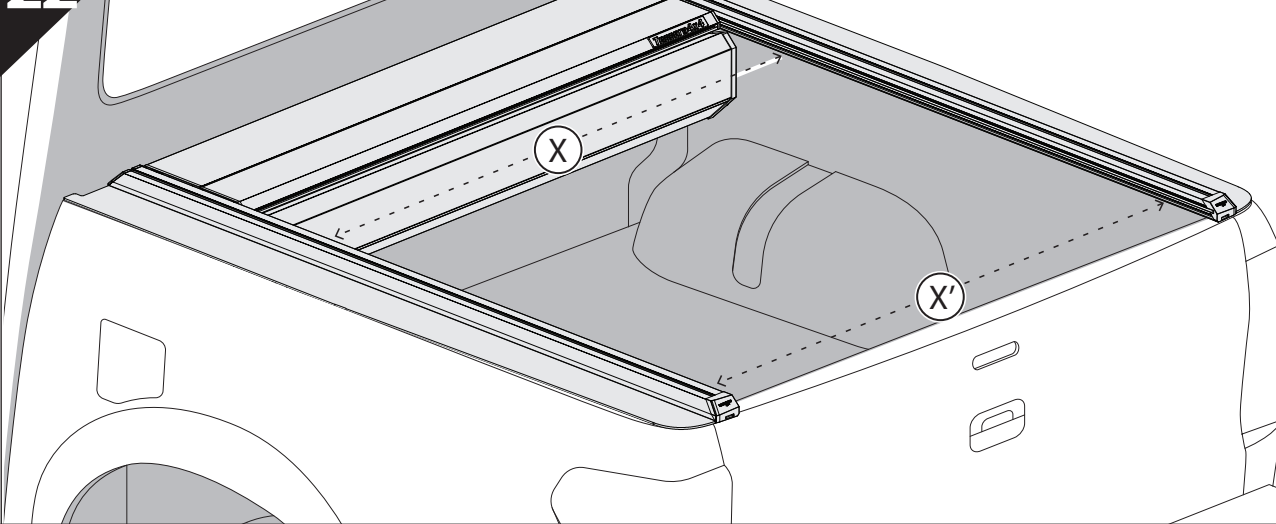


12

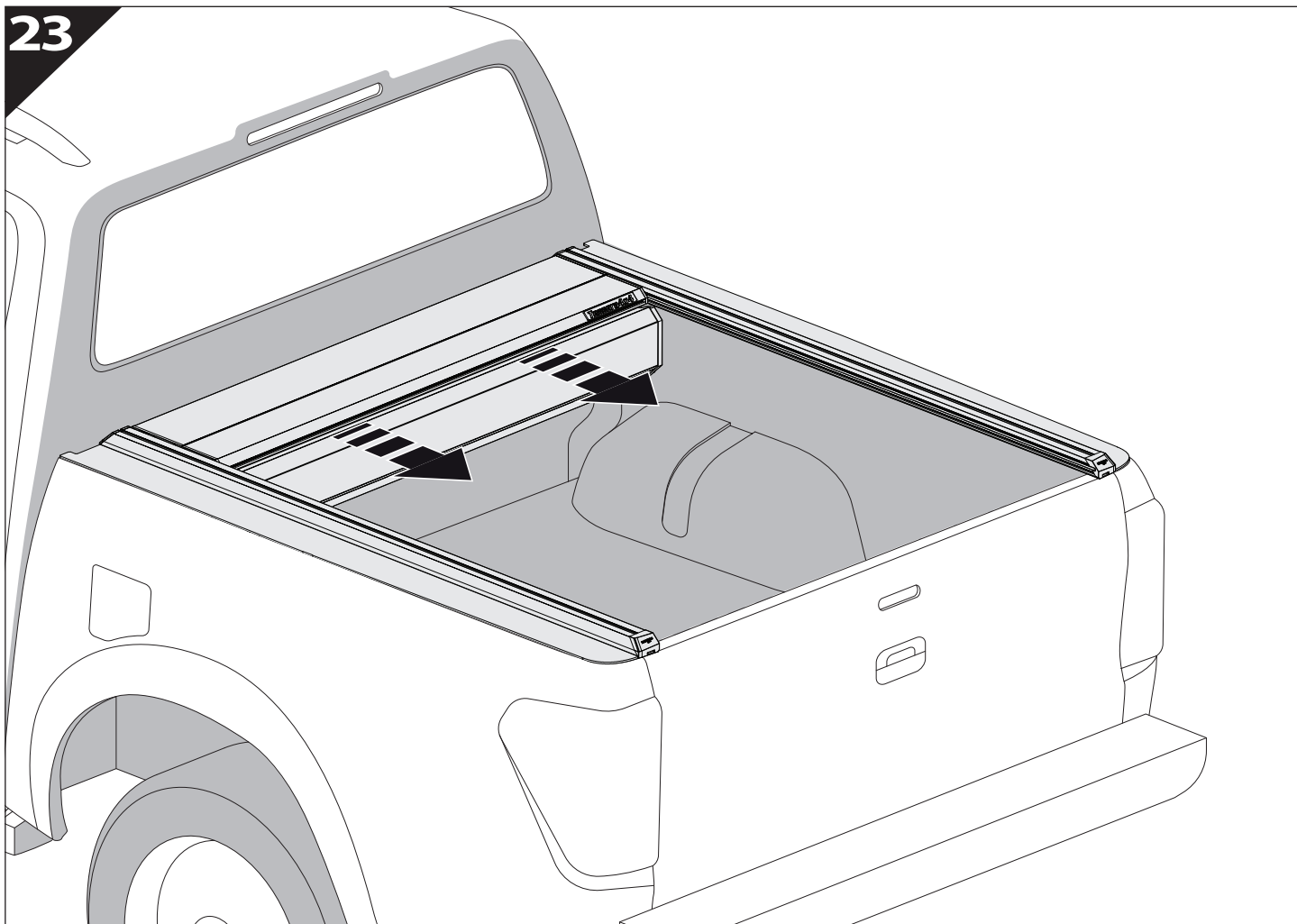




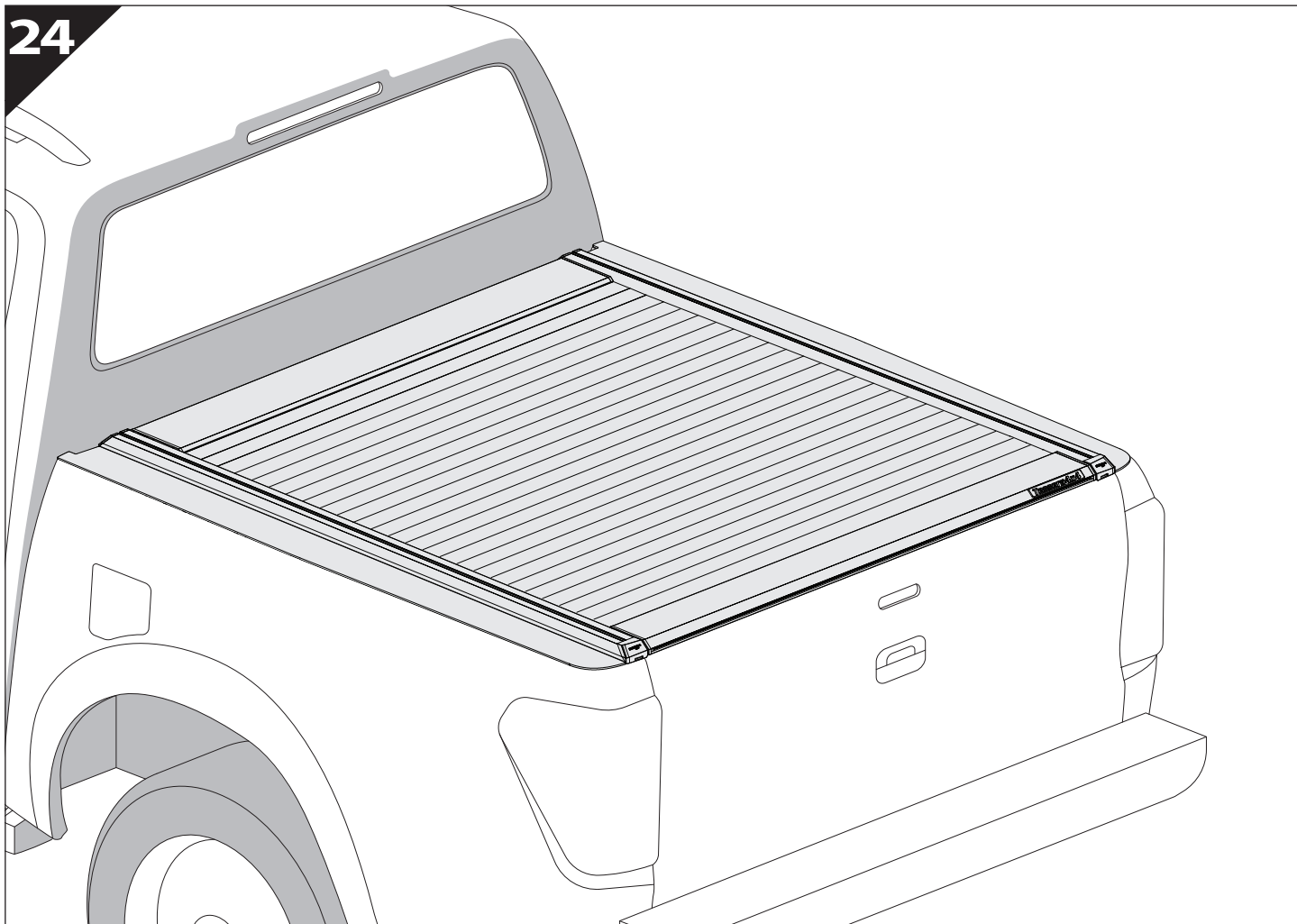




23



24





GR: Οδηγίες Εγκατάστασης
GB: Installation manual
SF: Asennusohje
F: Notice de montage
PL: Instrukcja montażu
NL: Installatie-instructies
TR: Montaj Talimatı
S: Monteringsanvisning
E: Instrucciones de montaje

H: Szerelési utasítás
P: Instruções de instalação
RUS: Инструкция по установке
N: Monteringsveiledning
D: Einbauanleitung
CZ: Návod k instalaci
I: Istruzioni de montaggio
DK: Monteringsvejledning
RO: Instructiuni de instalare

Customer Service:

+30 (210) 5541161, +30 (210) 5541154 (08:00 - 16:00 EET)

Support department:

info@gianso.gr

Website:

www.tessera4x4.com

Address:

19.5 km of National road Athens-Korinthos (Elefsina) Greece, P.C: 19200