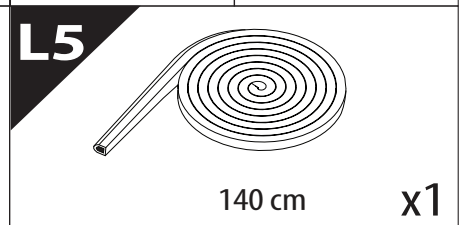
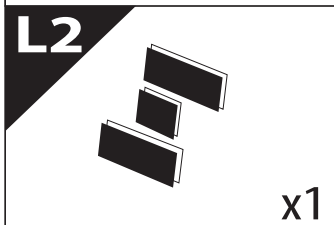
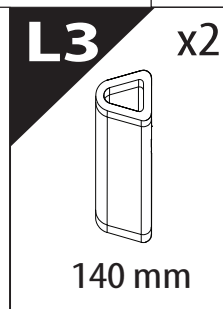
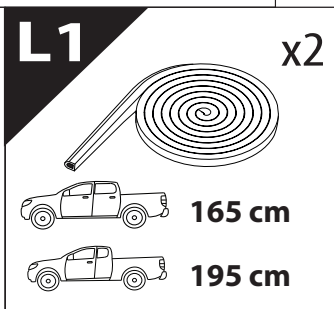
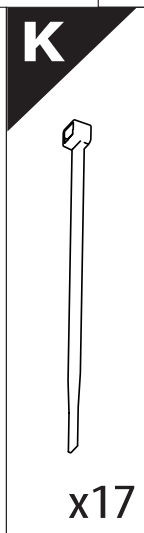
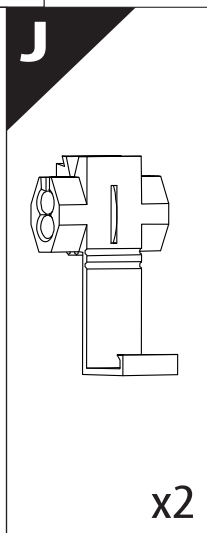
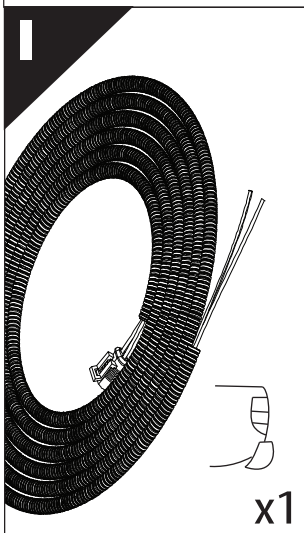
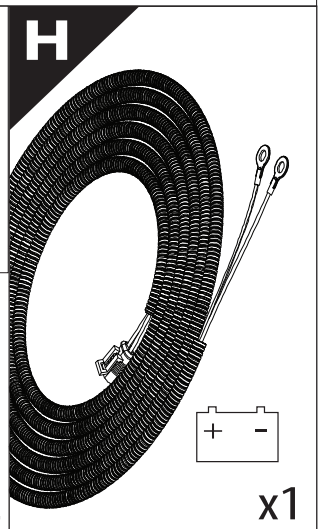
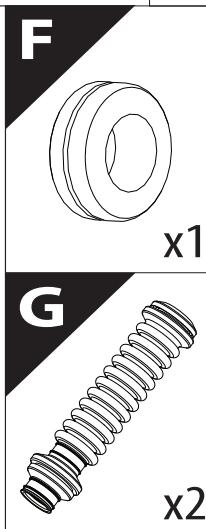
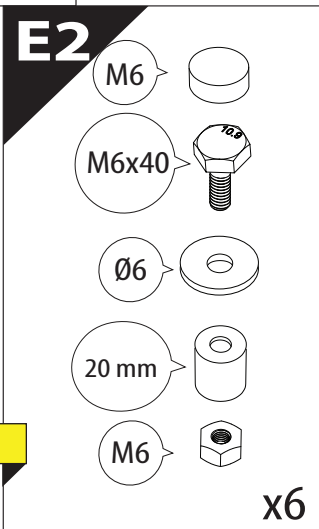
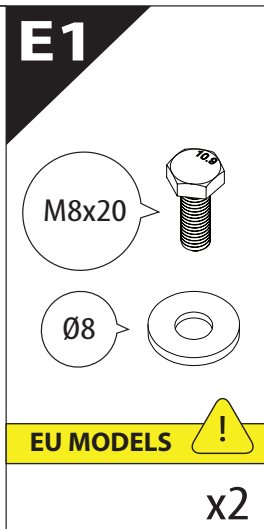
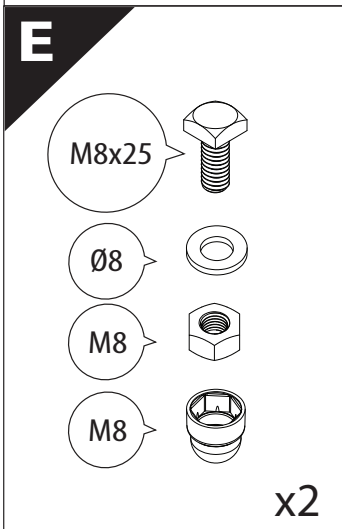
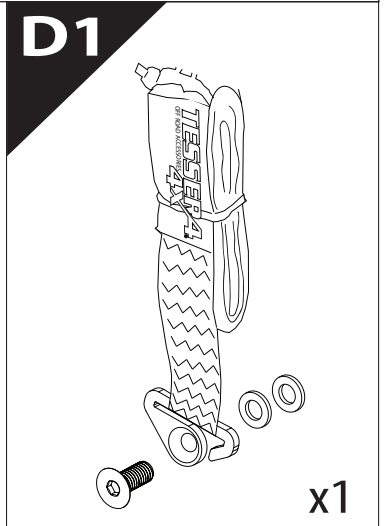
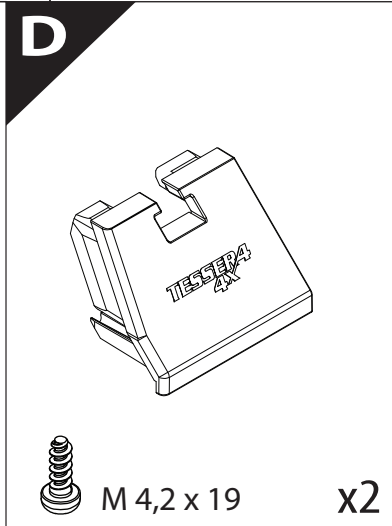
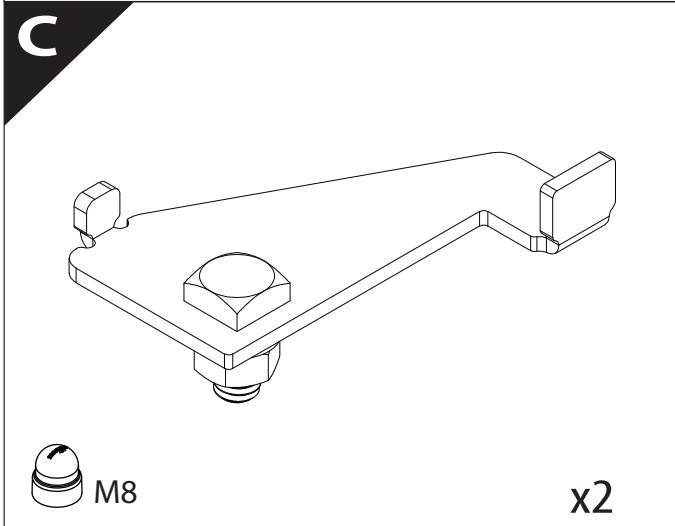
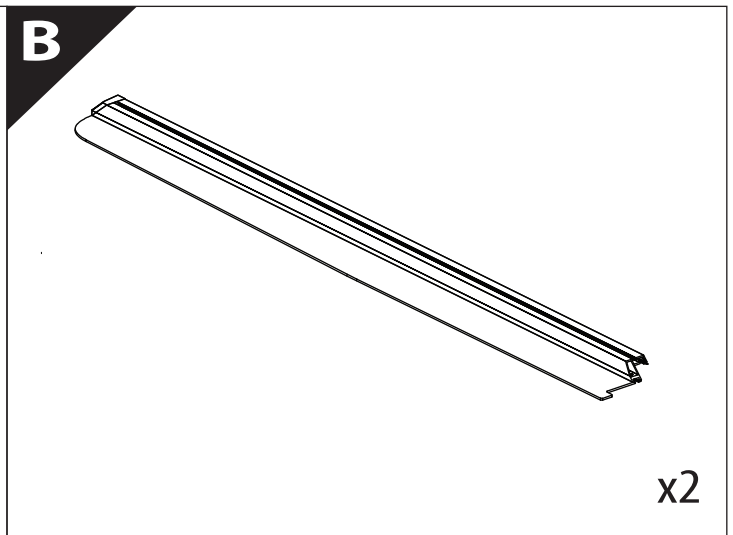
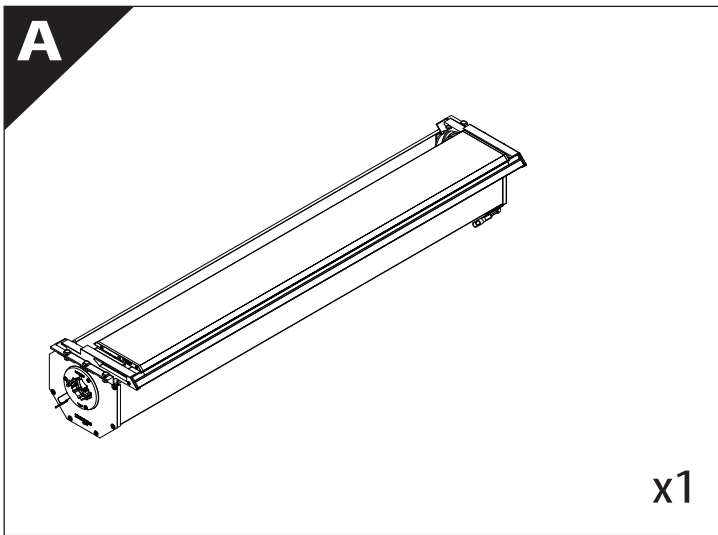
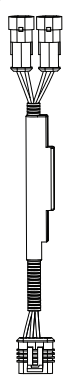
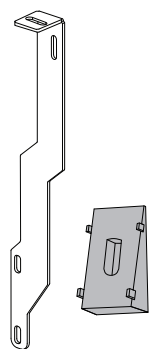

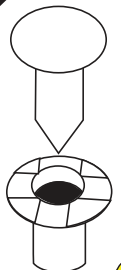

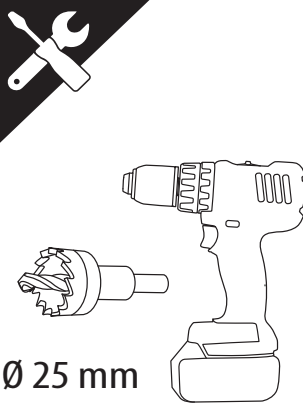
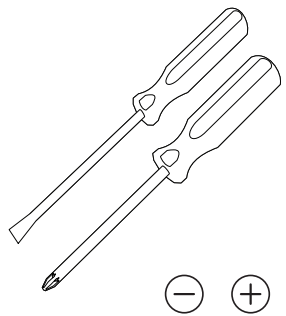
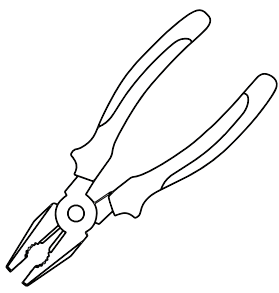
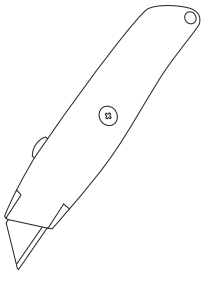
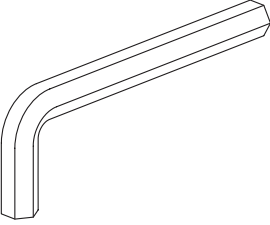
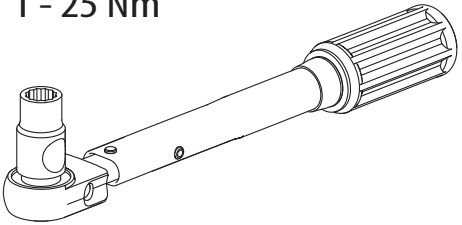
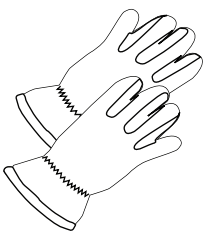
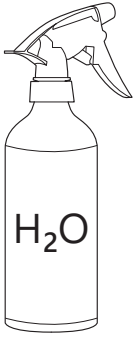
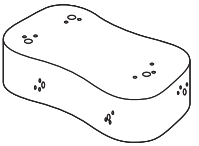

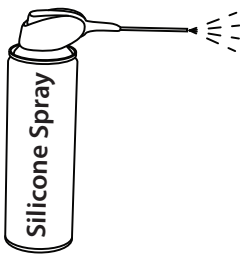
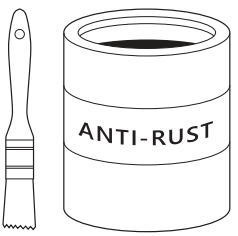
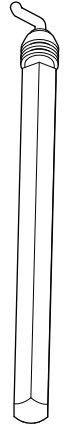
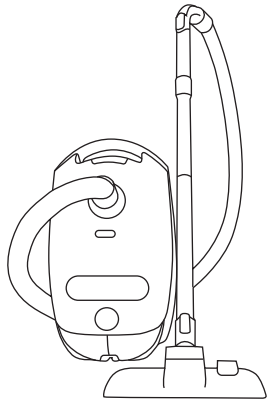
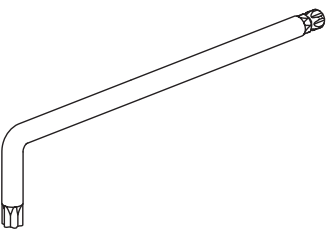
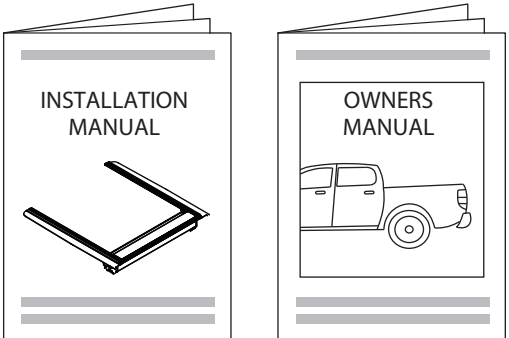
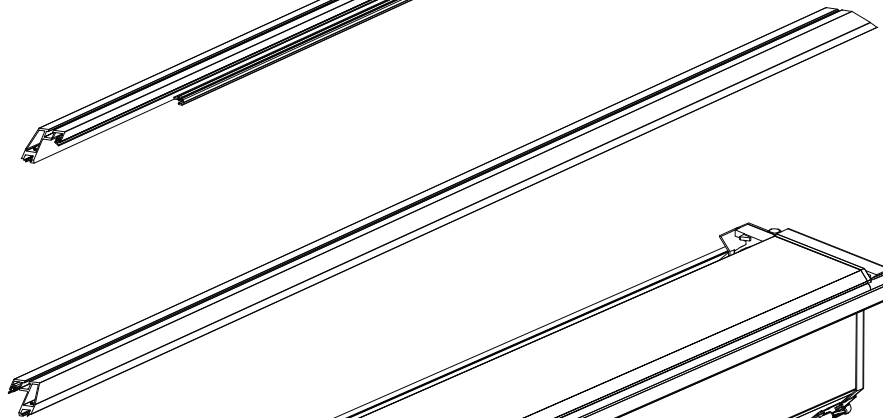
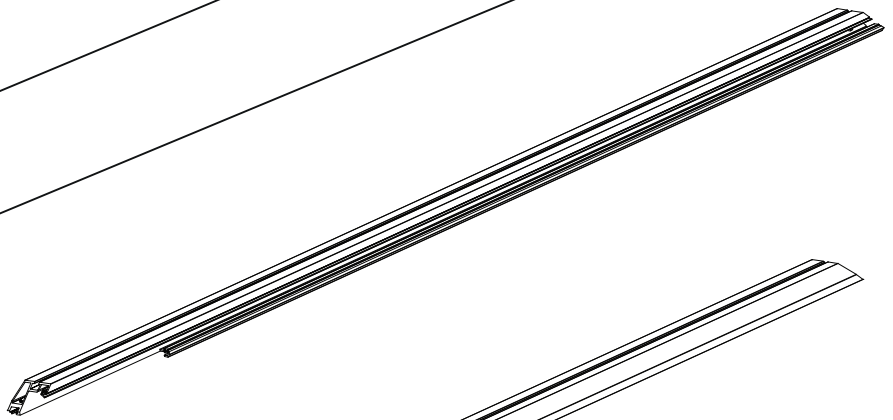
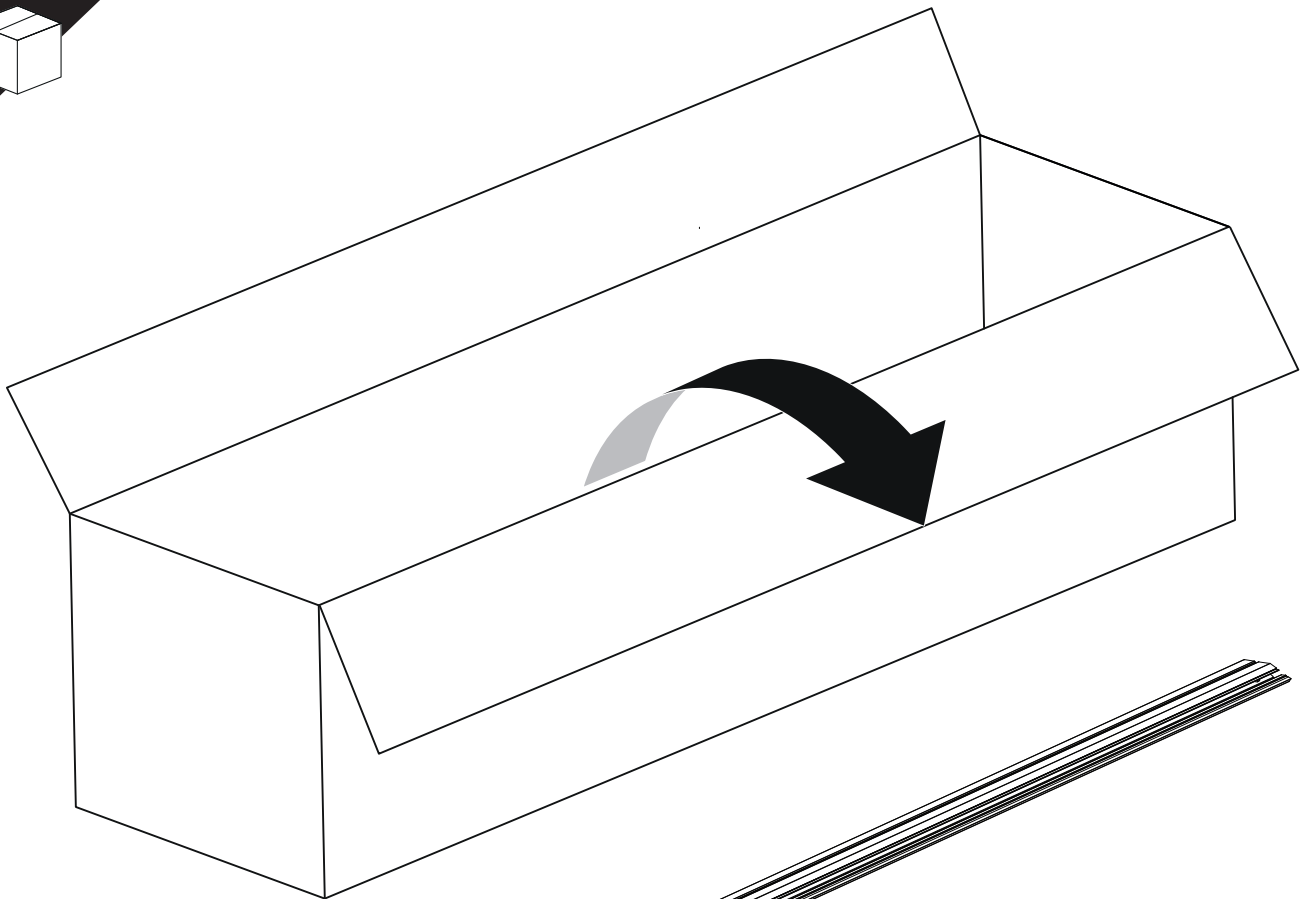


Installation Manual

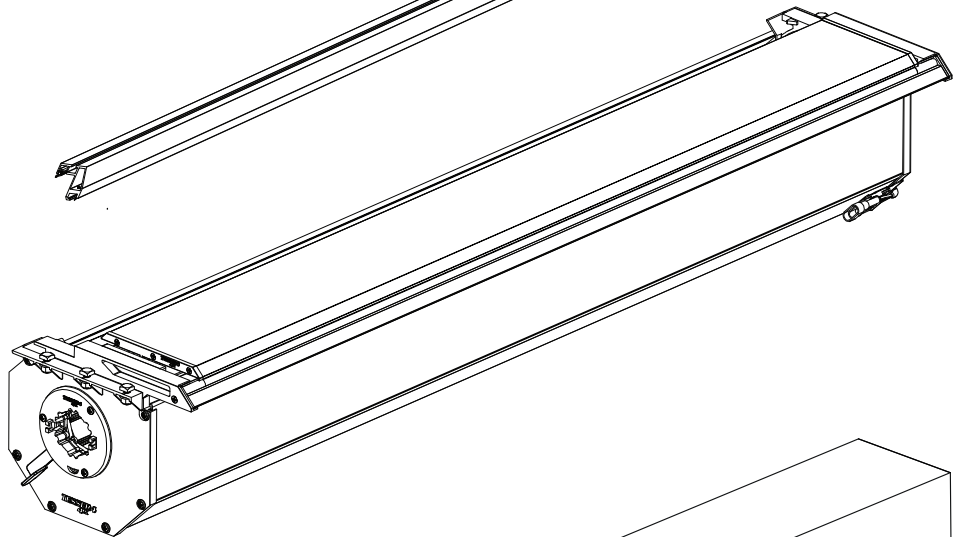
PART NUMBER(S)	Model Year
TESS 14080 ROLL	FORD RANGER WILDTRAK 2023+ OEM ROLL BAR
TESS 14090 ROLL	
Cab(s)	Installation Time / Weight
Double Cab & Space cab	40-60 minutes / 53-57 kg



<p>M1</p>  <p>x1</p>	<p>N</p>  <p>x2</p>	<p>O</p>  <p>x1</p>	<p>P</p>  <p>US MODELS !</p> <p>x2</p>	<p>Q</p> 	 <p>Ø 25 mm</p>
 <p>⊖ ⊕</p>			 <p>⊙ 4 mm</p>		
<p>1 - 25 Nm</p>  <p>⊙ 10, 12, 13, 17 mm</p>		 <p>H₂O</p>		 <p>ACETONE</p>	
 <p>Silicone Spray</p>	 <p>ANTI-RUST</p>			 <p>⊙ T30, T40</p>	
 <p>INSTALLATION MANUAL</p> <p>OWNERS MANUAL</p> <p>x1</p>					

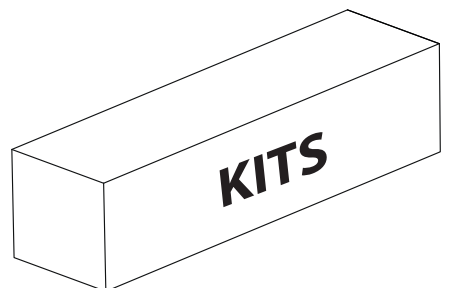


B

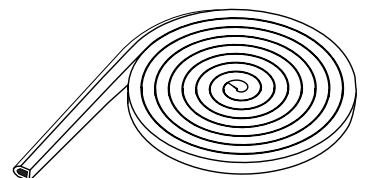


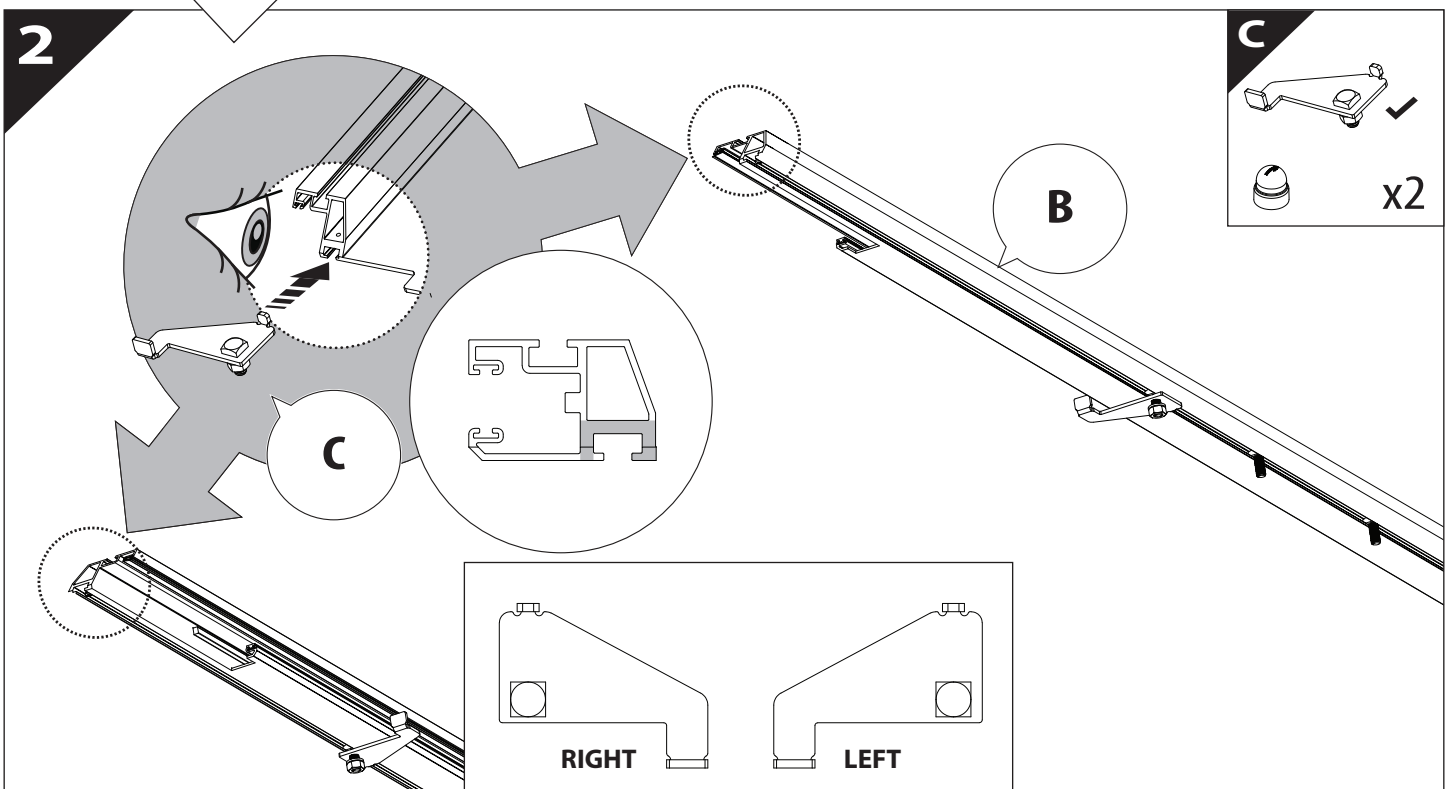
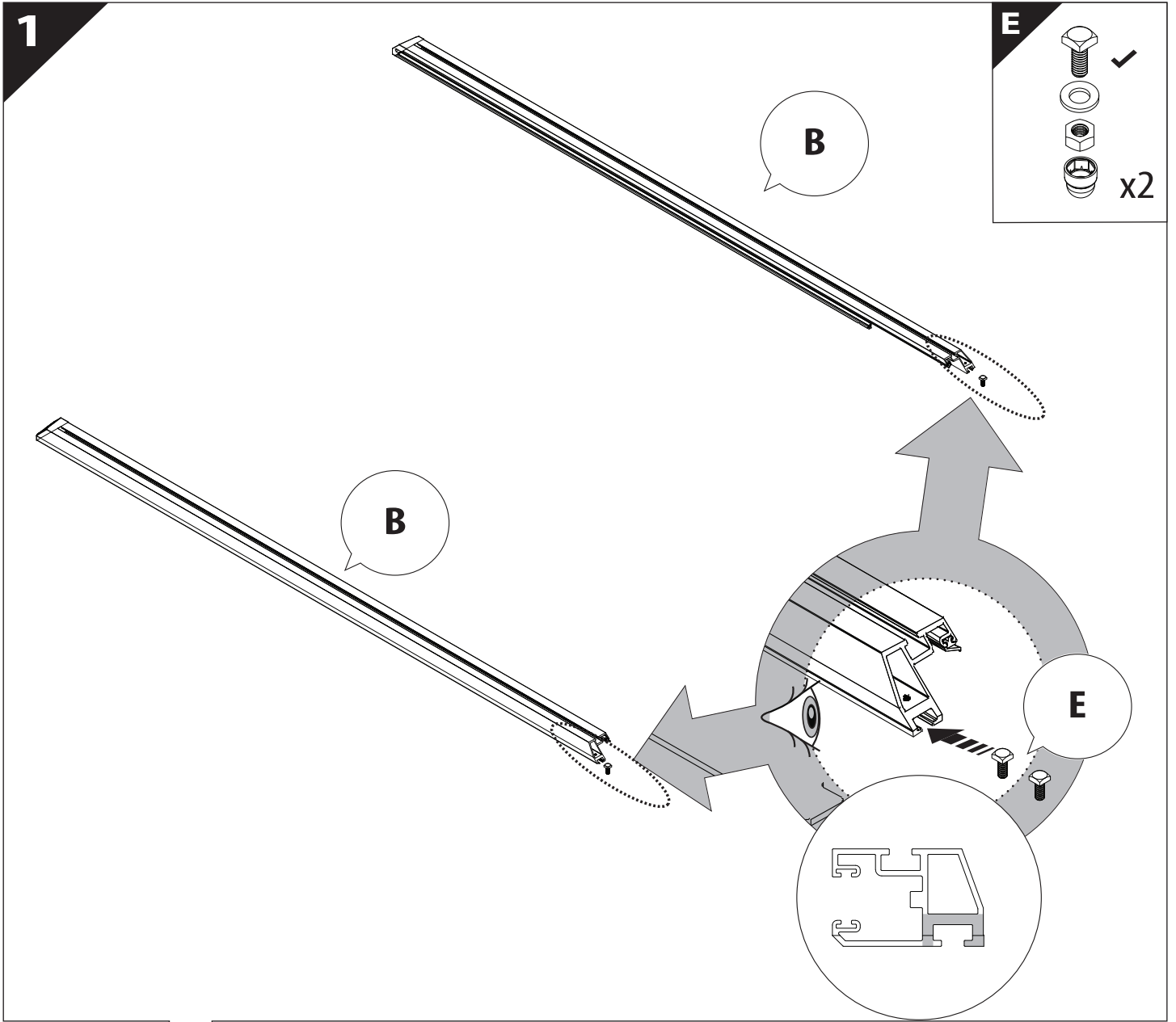
A

KITS

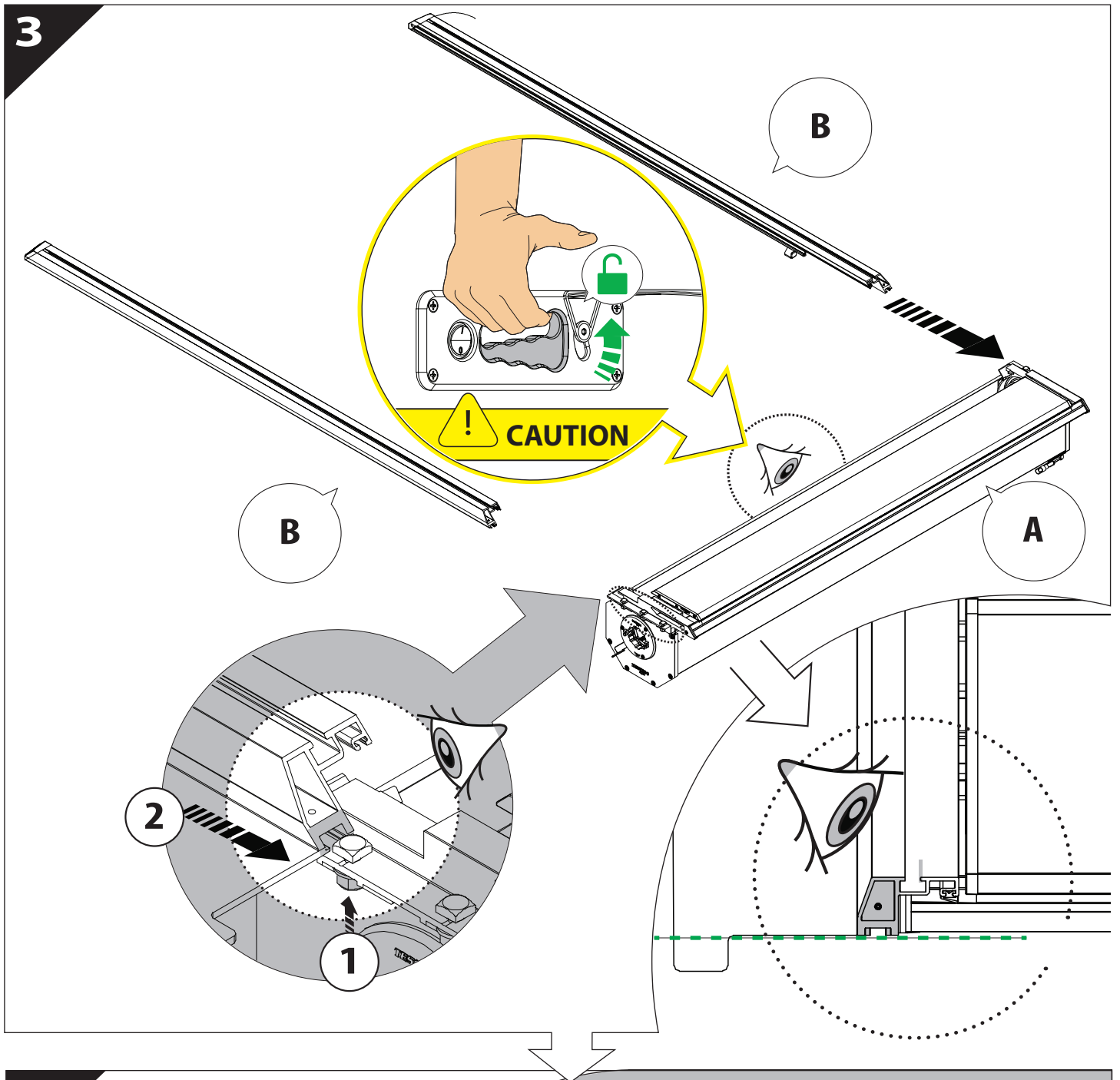


L

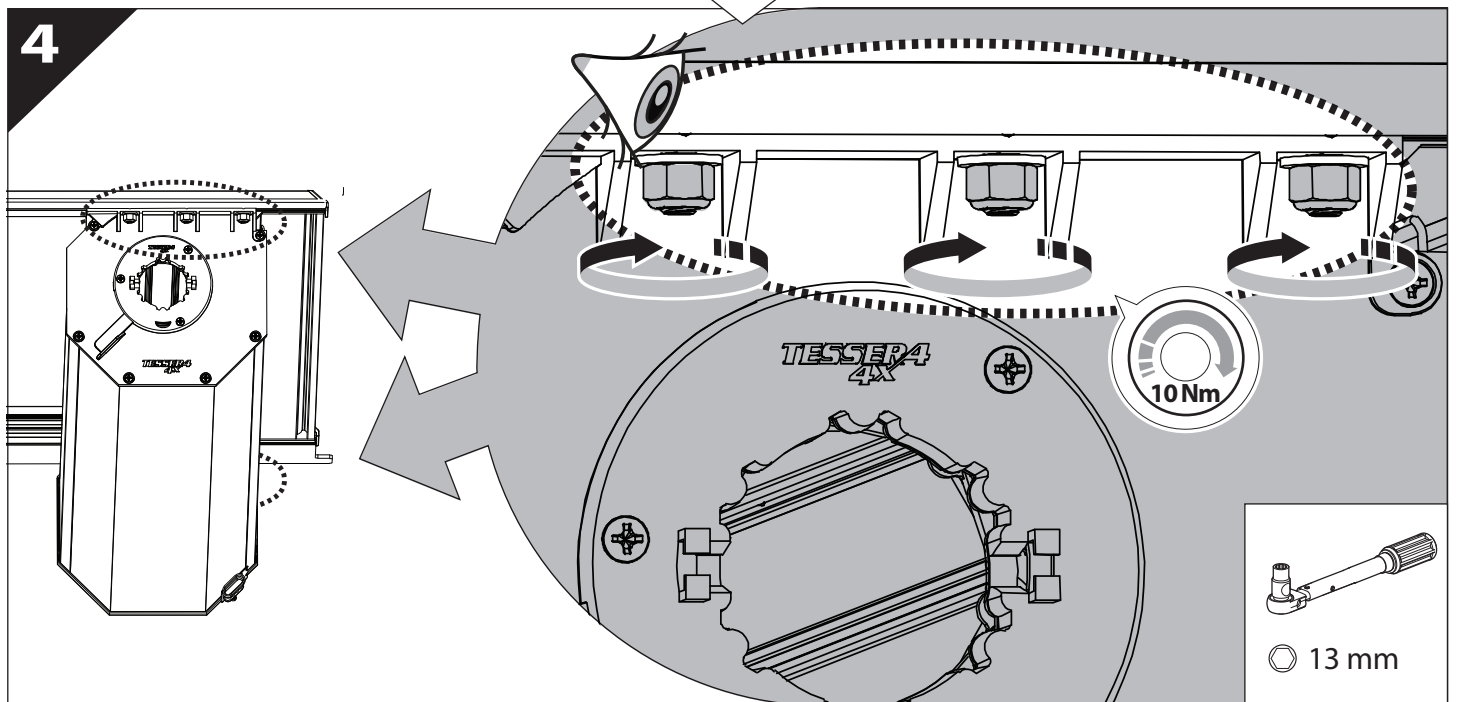


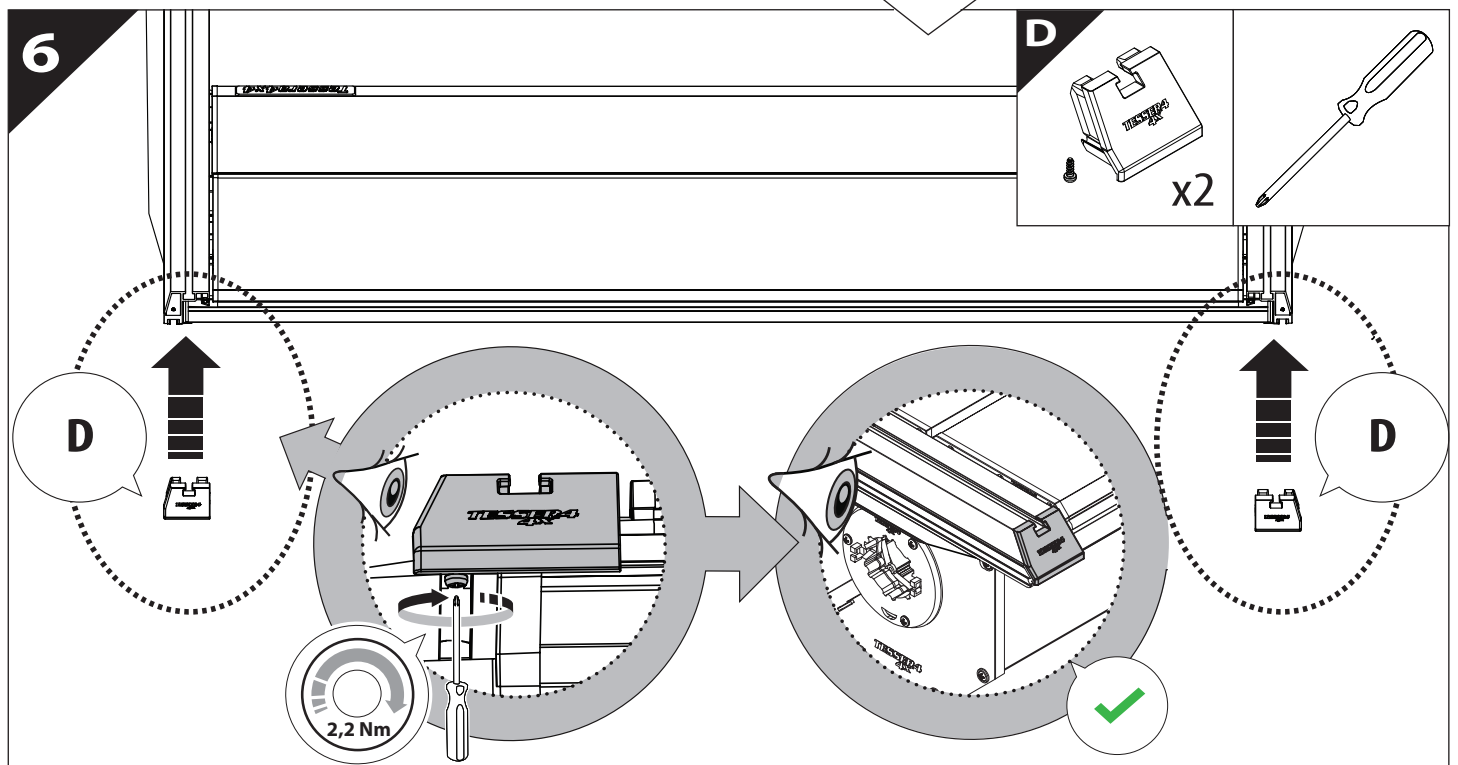
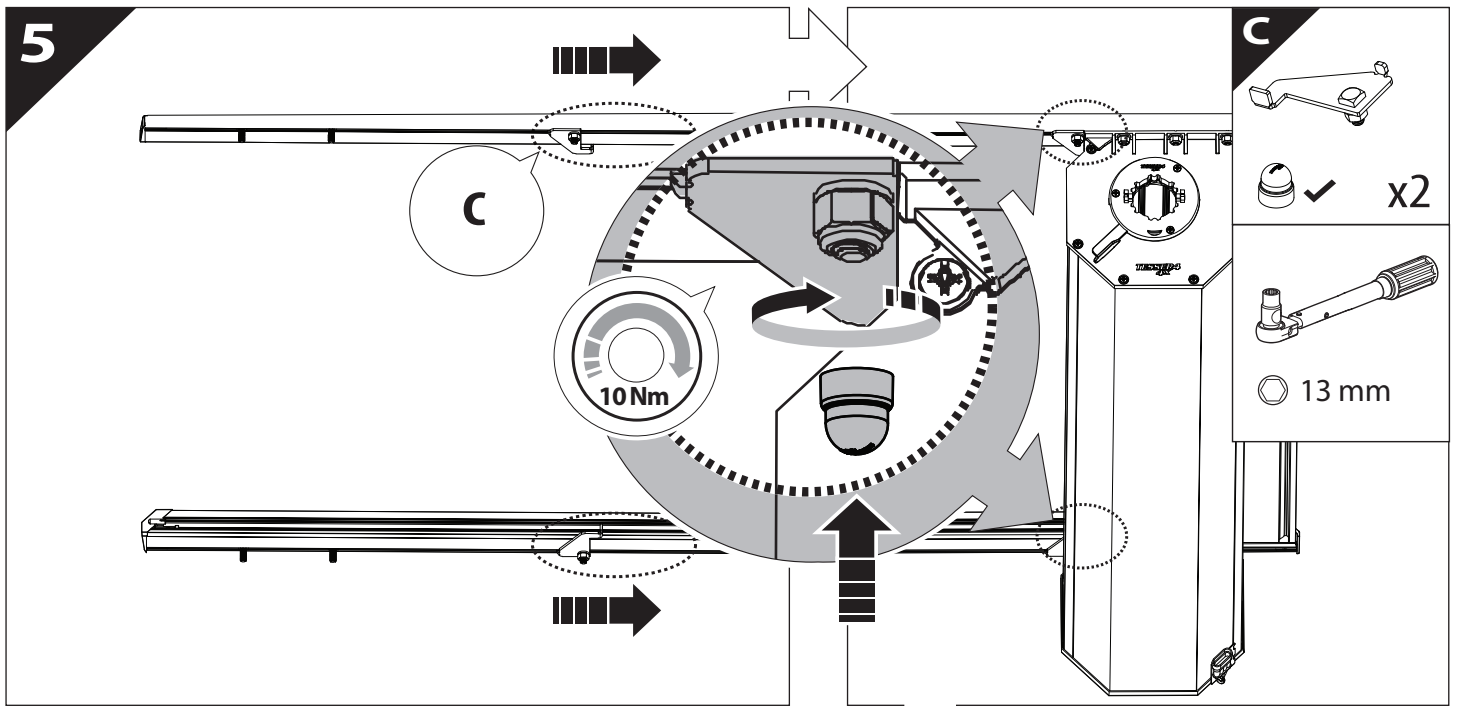


3

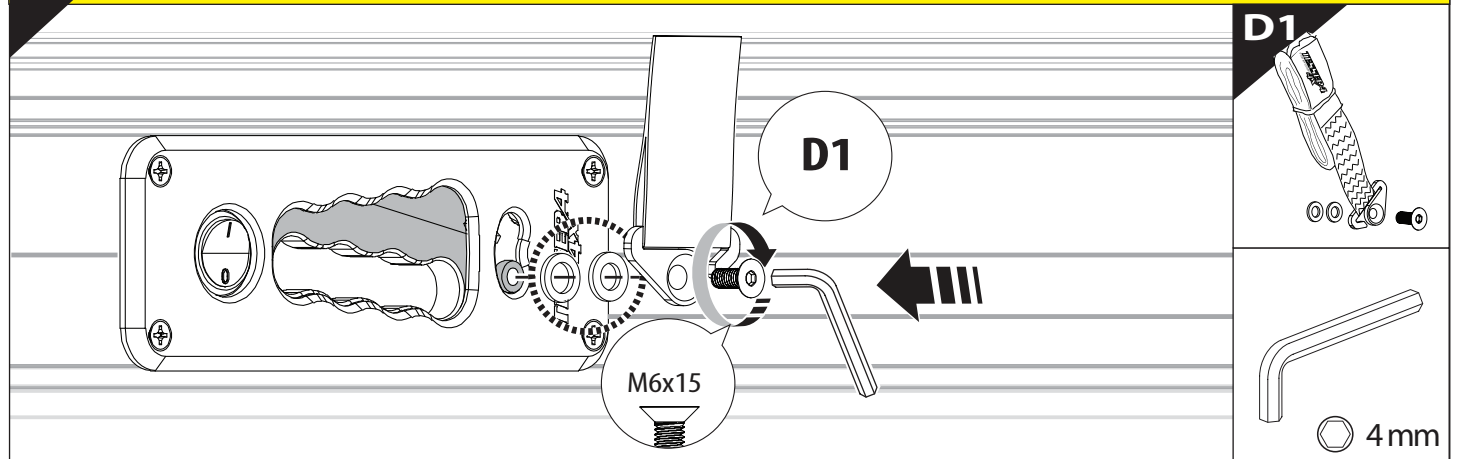


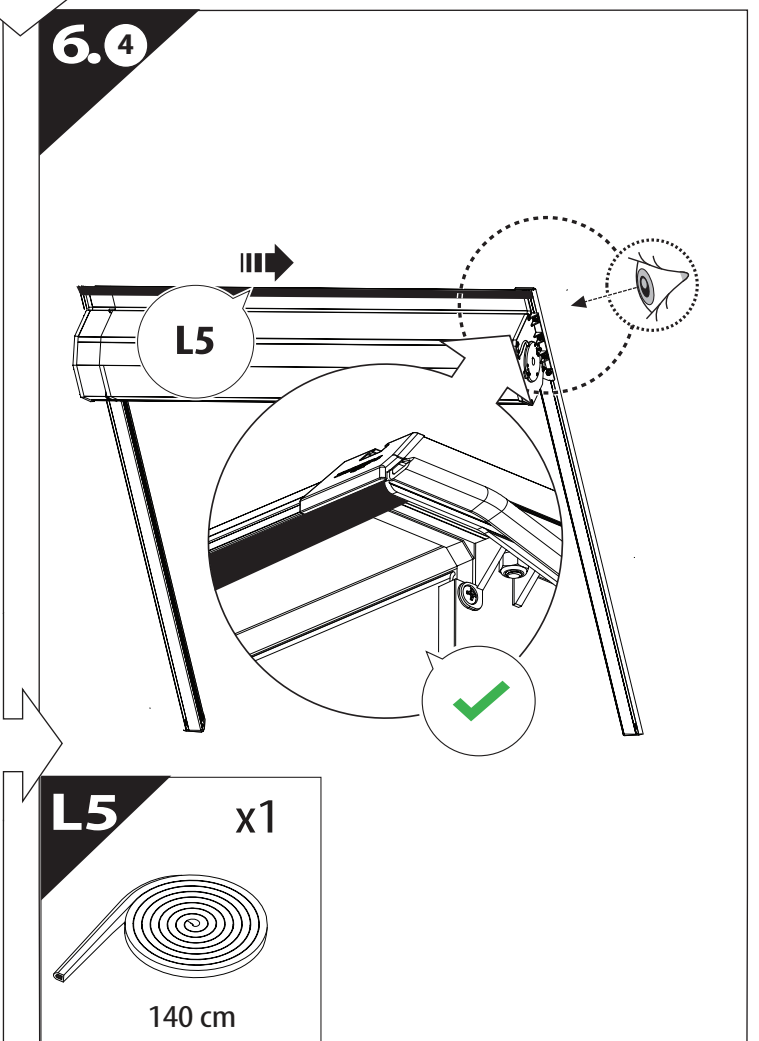
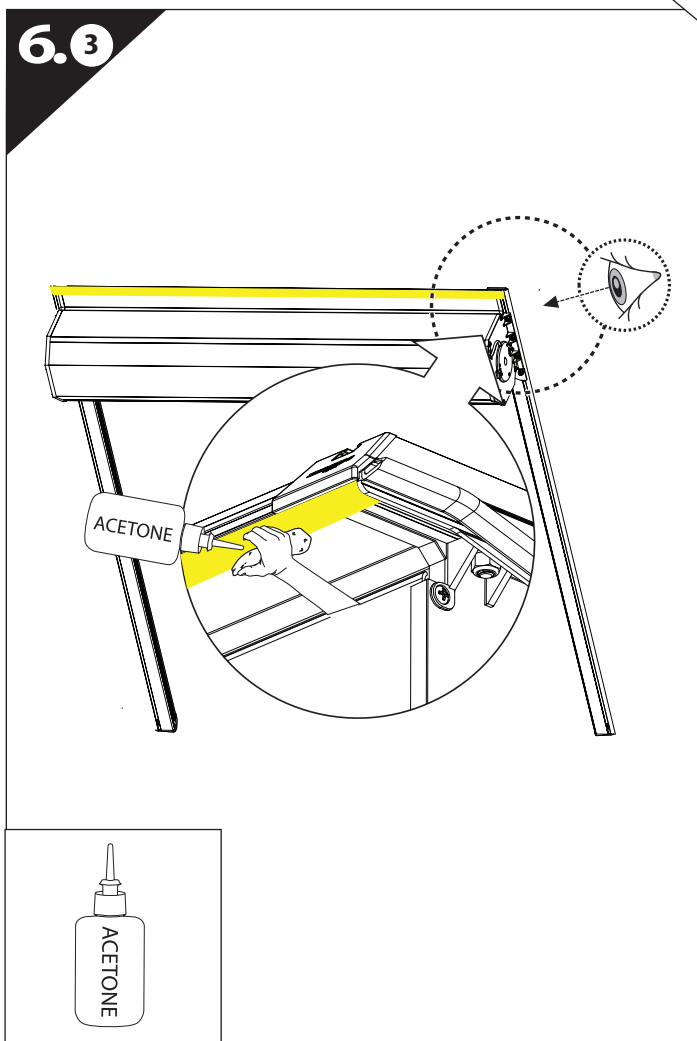
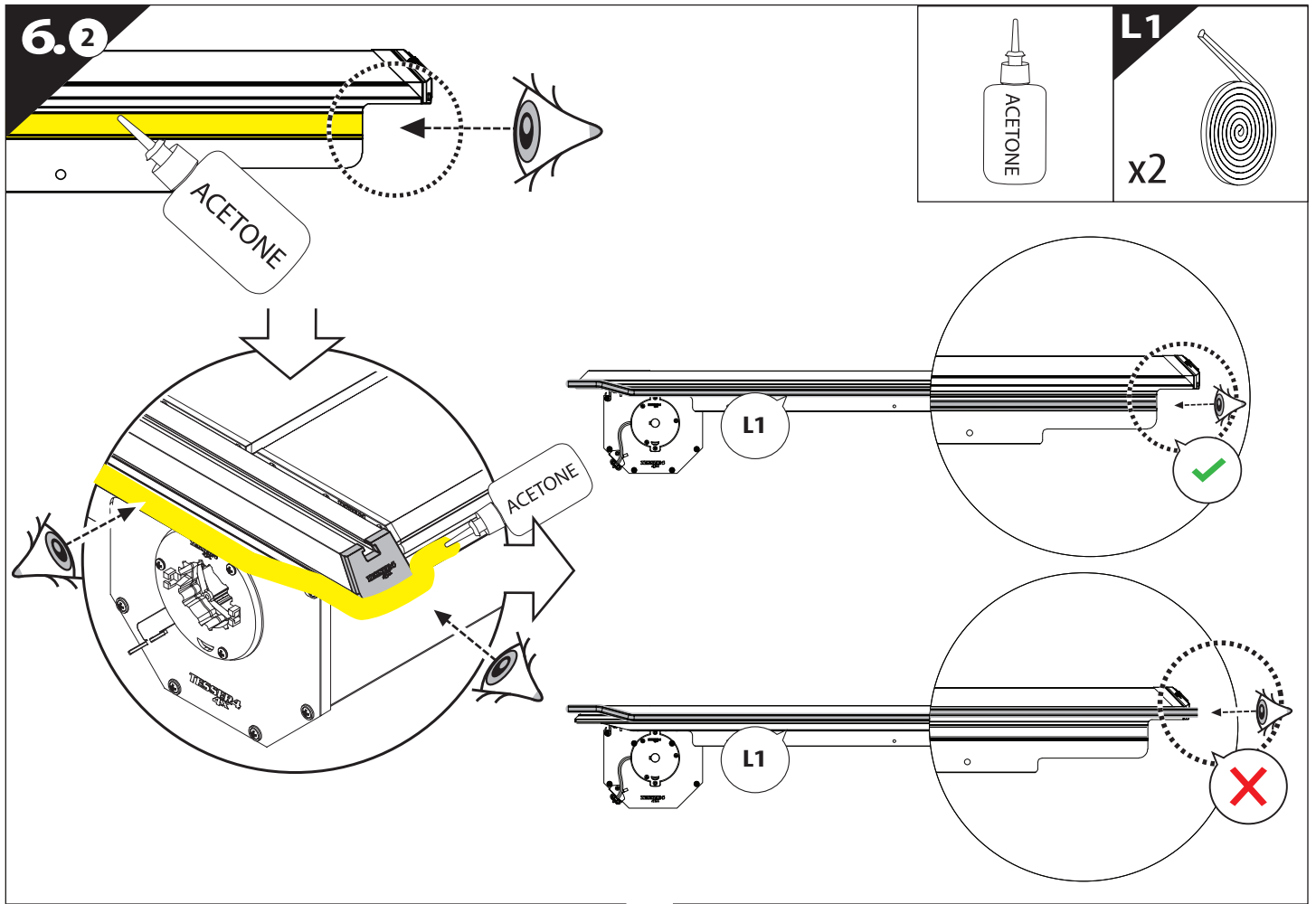
4





6.1 **CAUTION** Basic Version ✓ & Basic+S-KIT Version ✓

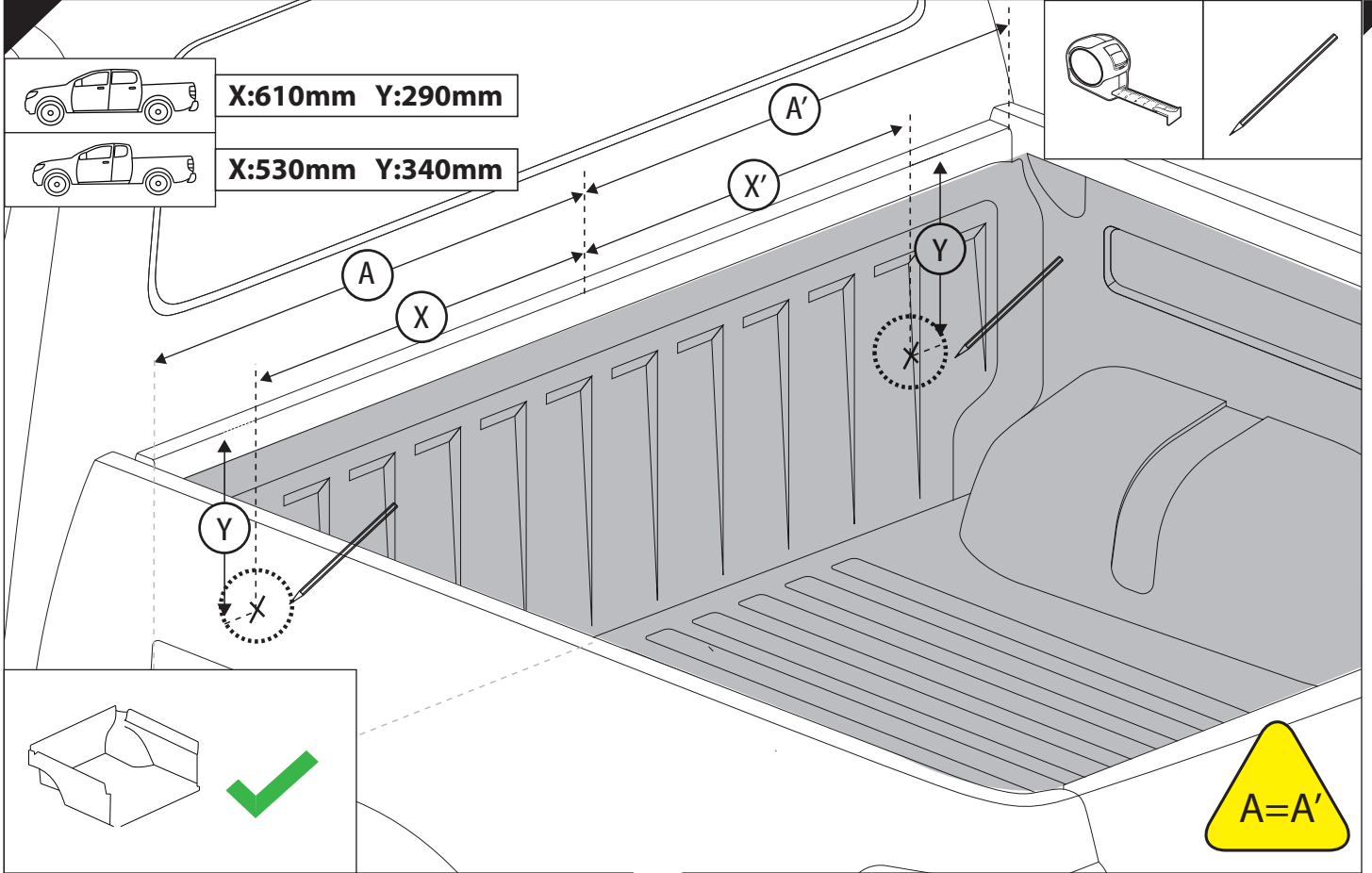




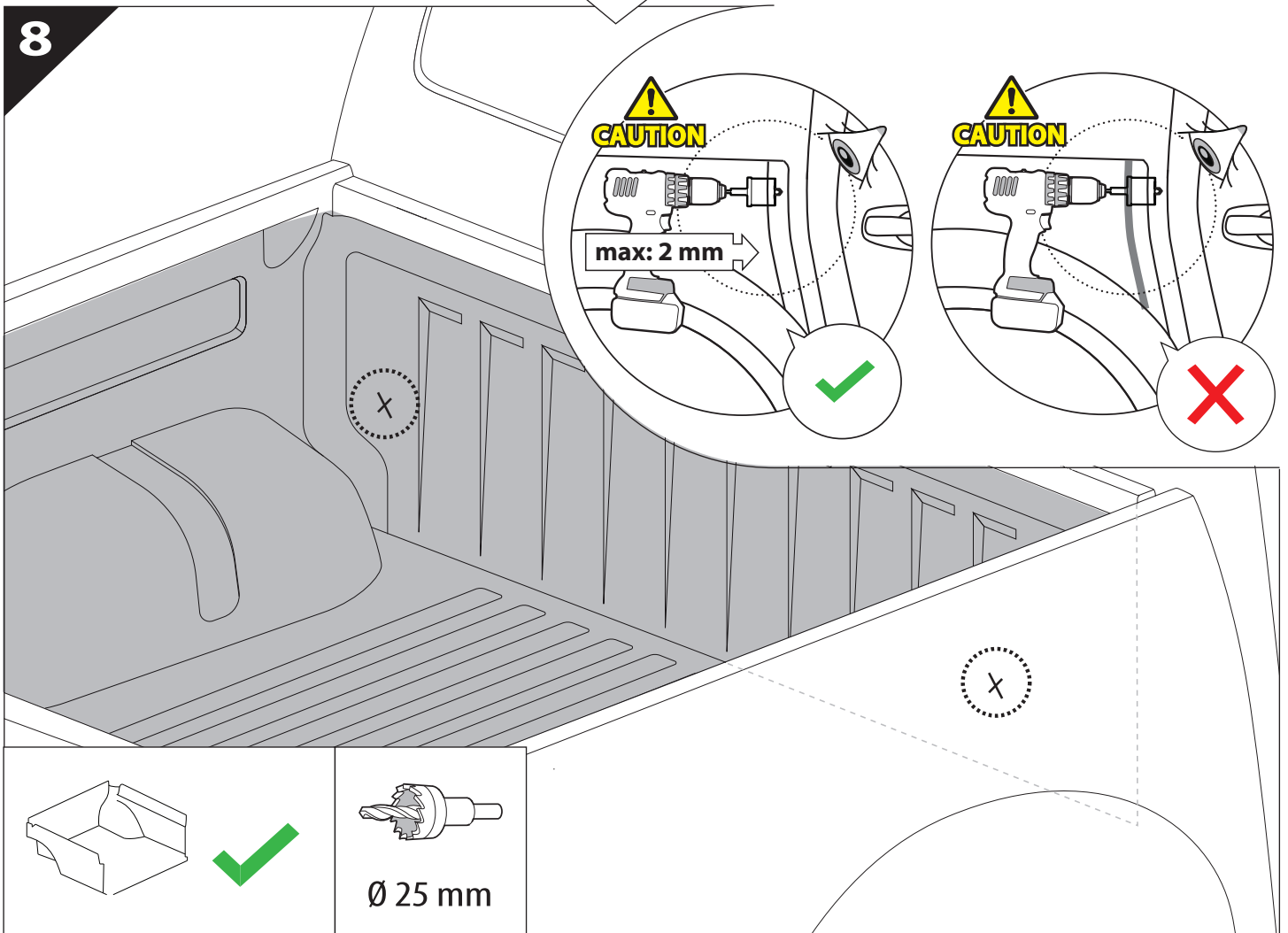
7

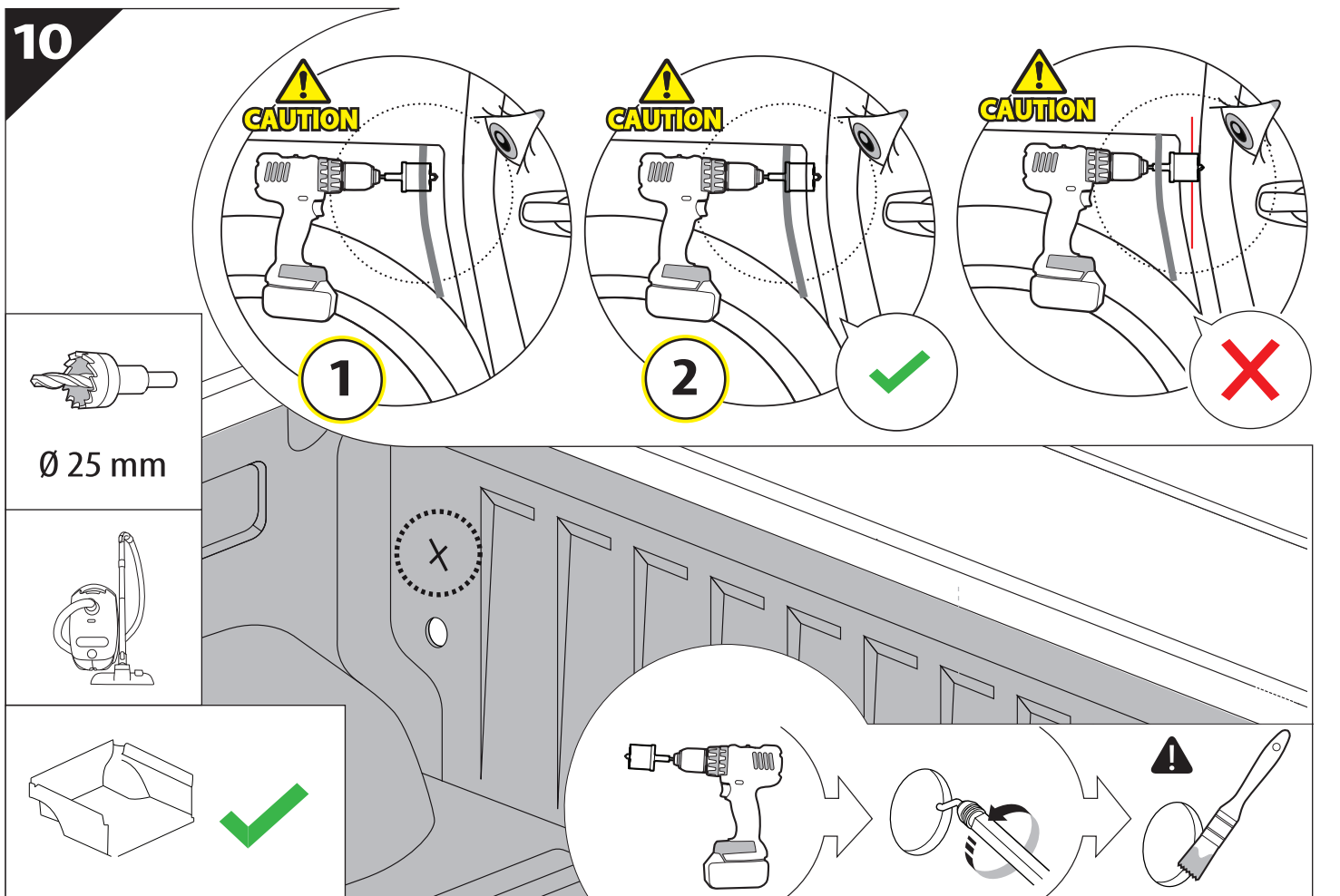
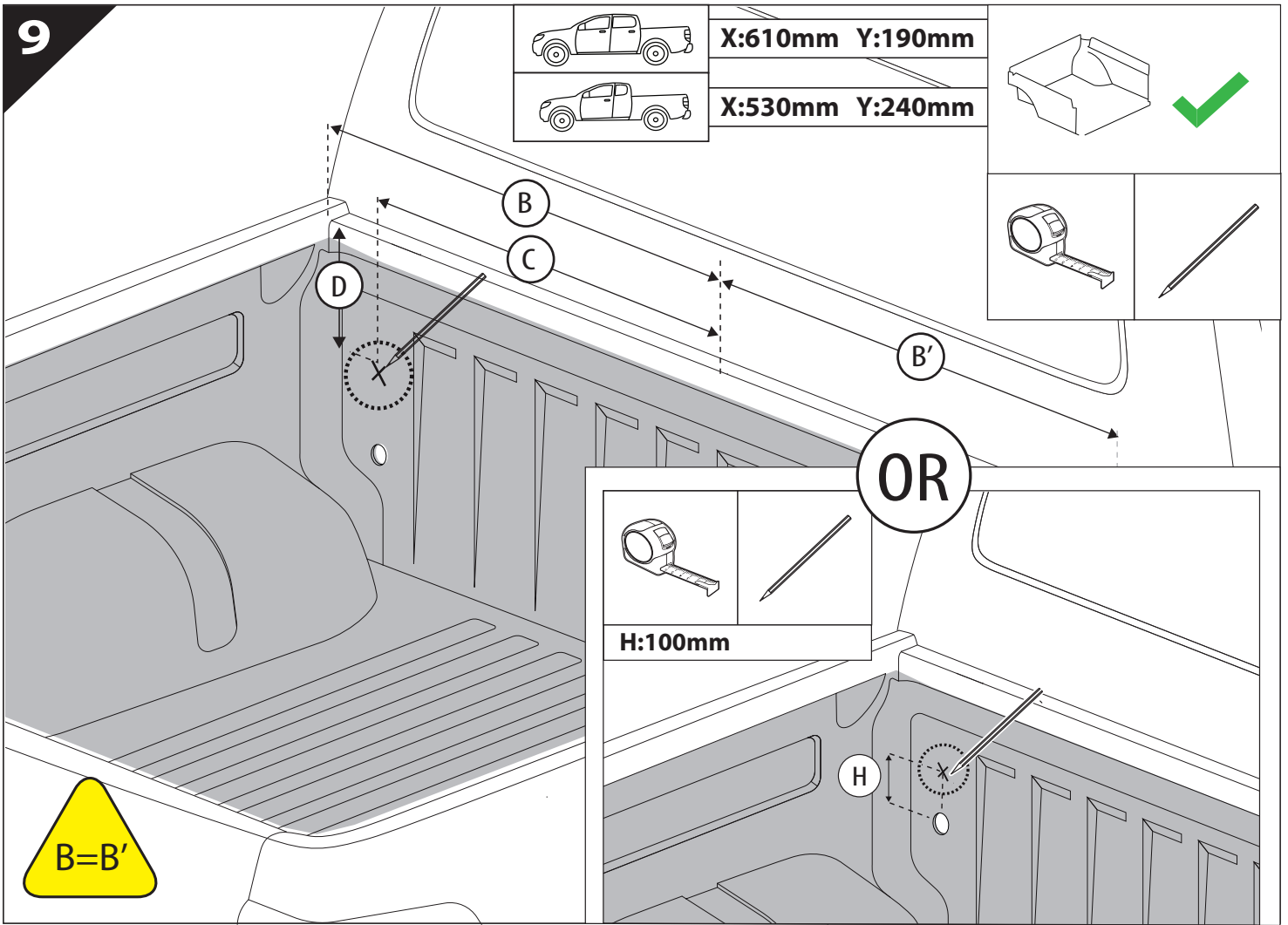


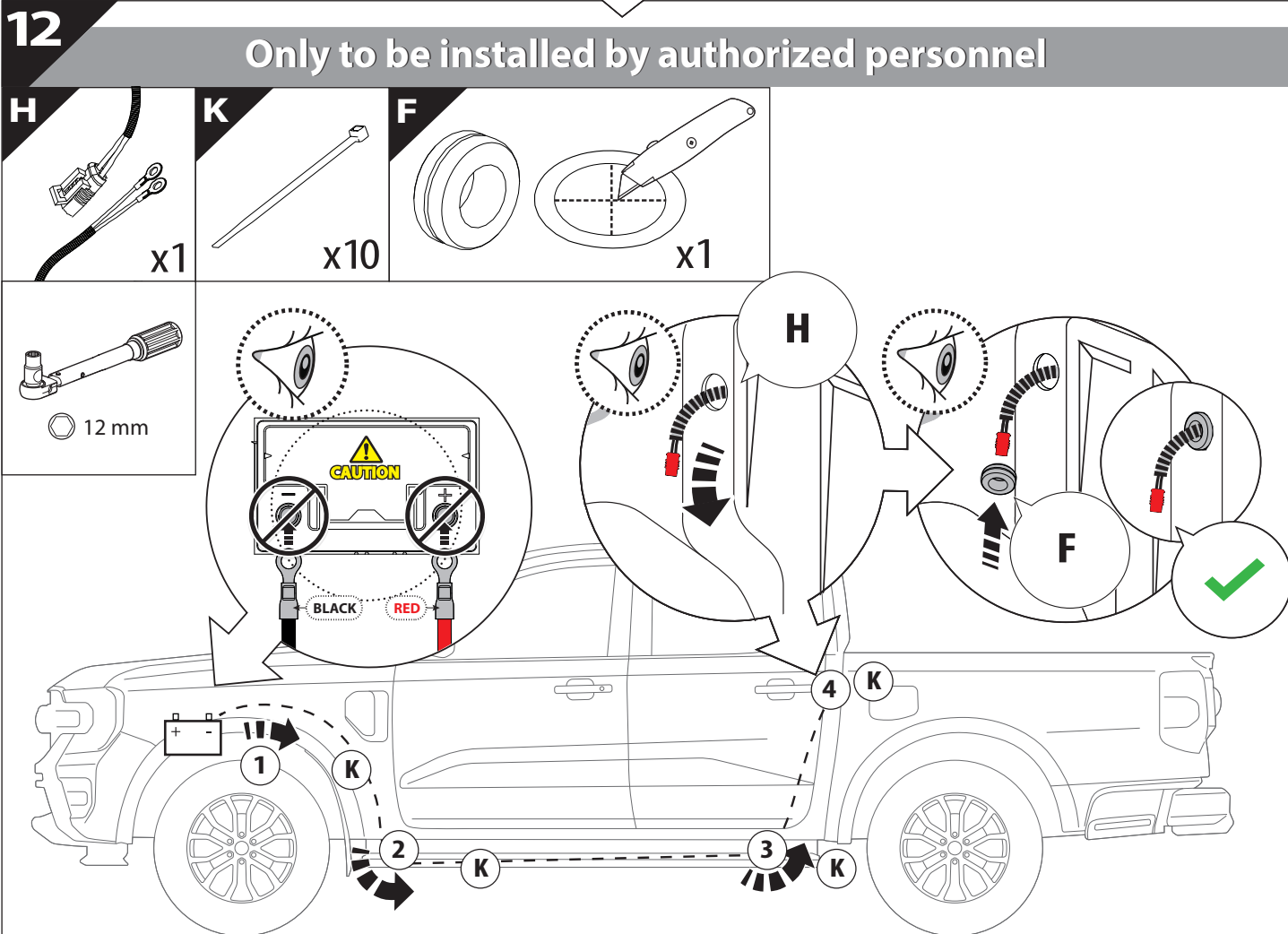
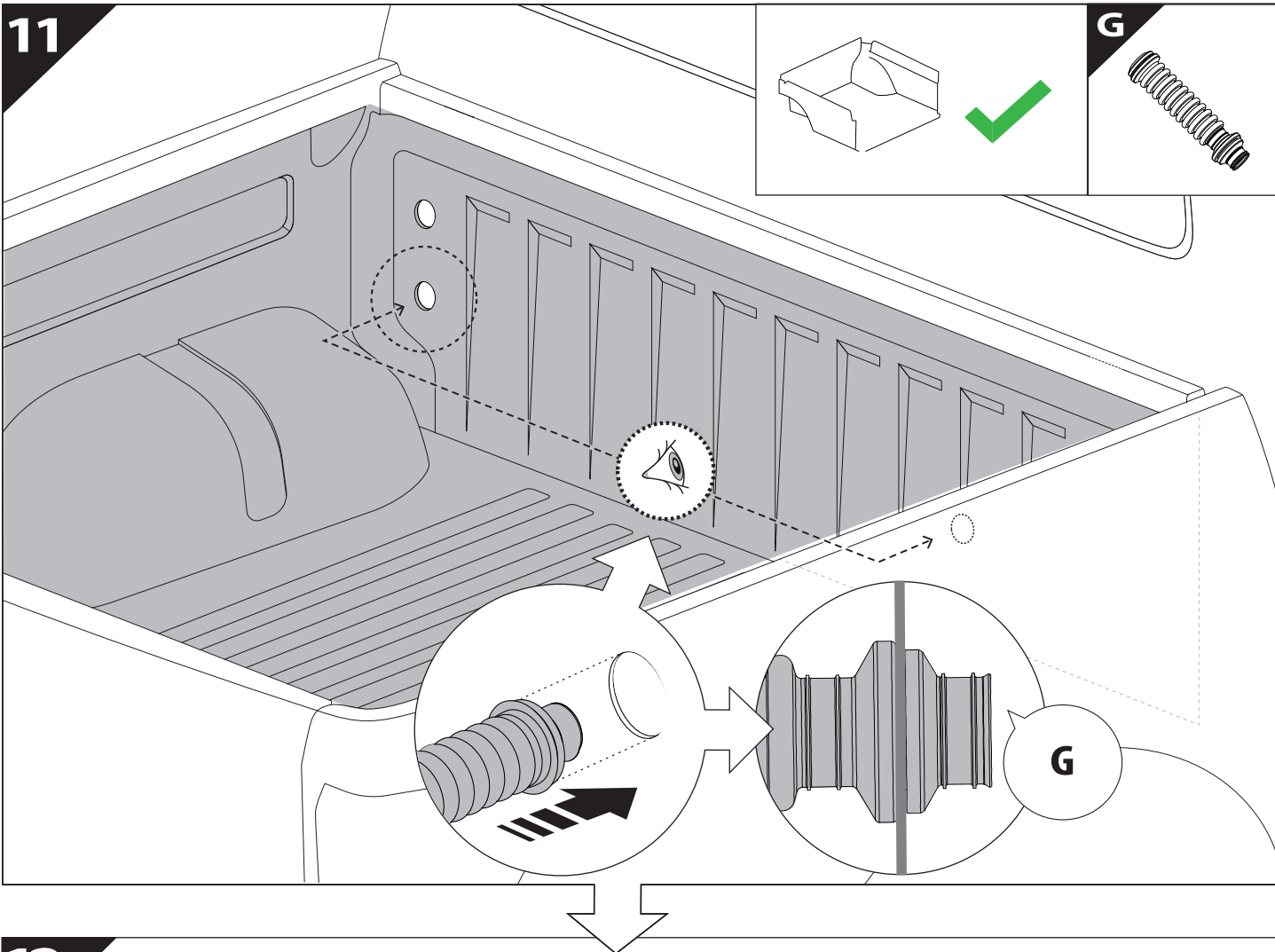
CAUTION: LIMITED, WILDTRAK, WILDTRAK X, PLATINUM



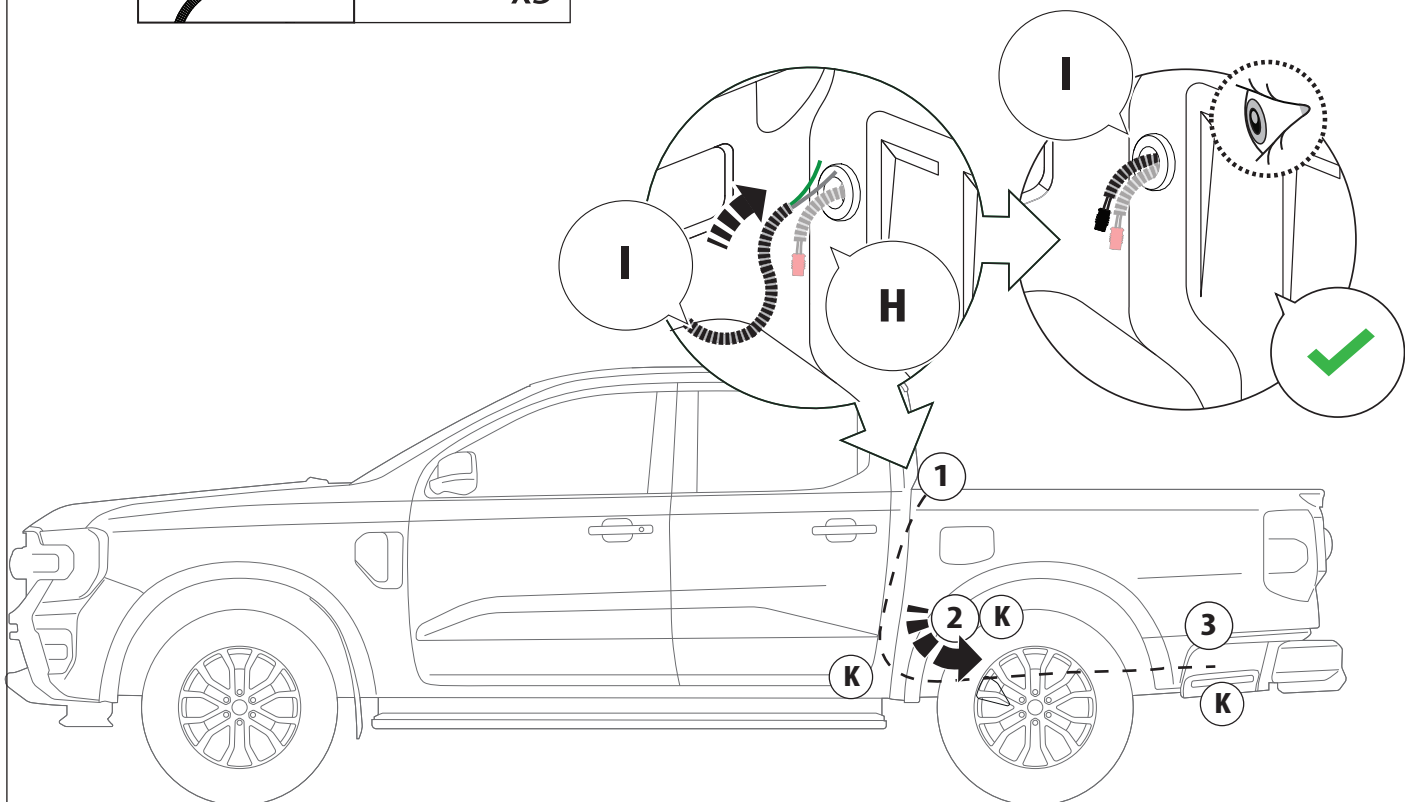
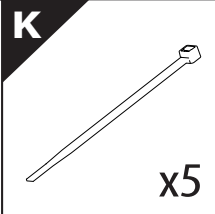
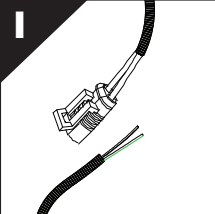
8







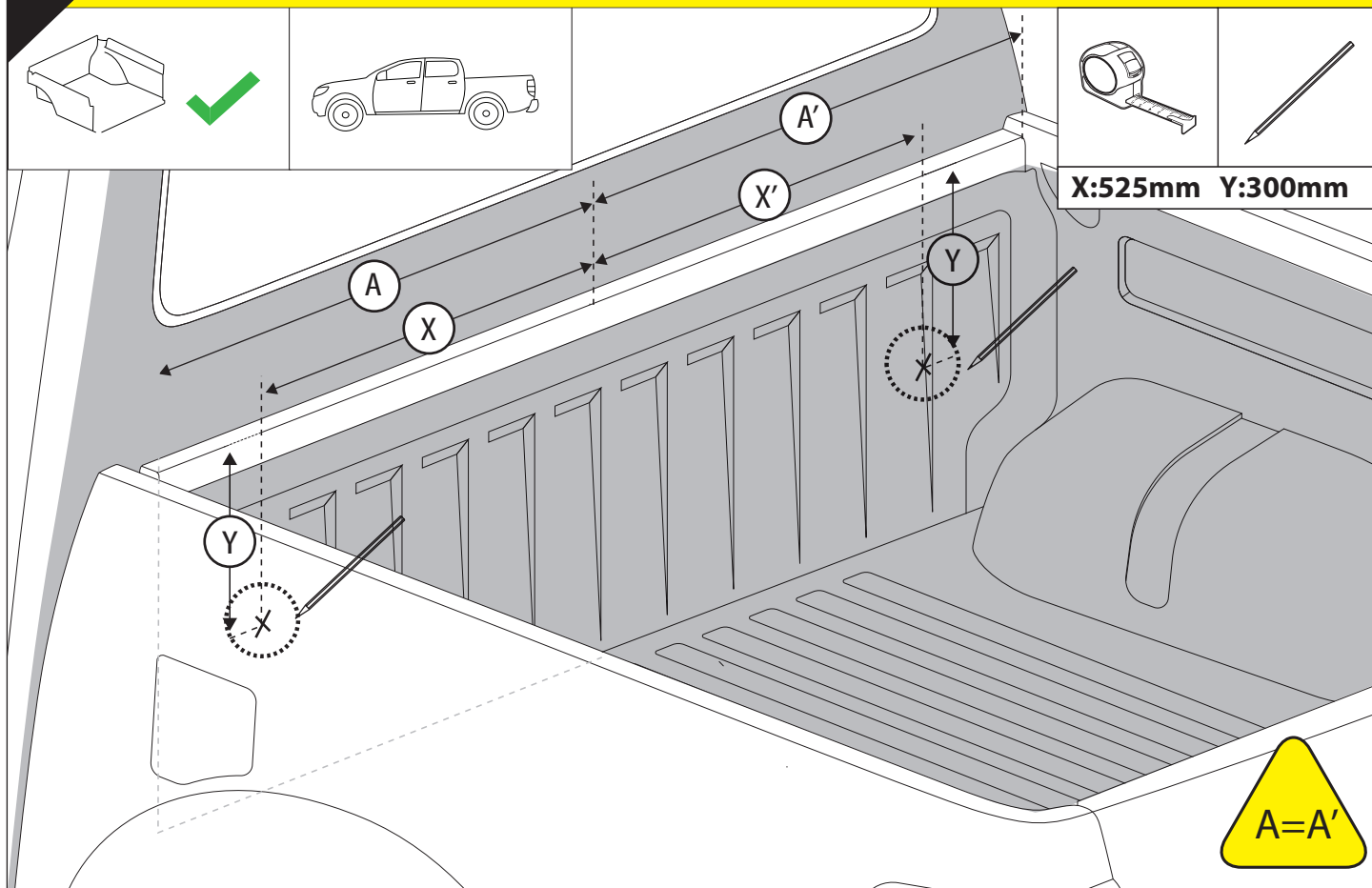
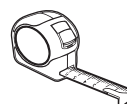
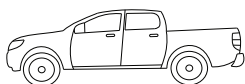
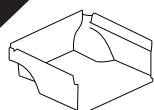
13



14



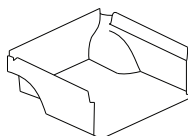
CAUTION: RAPTOR



X:525mm Y:300mm

$A=A'$

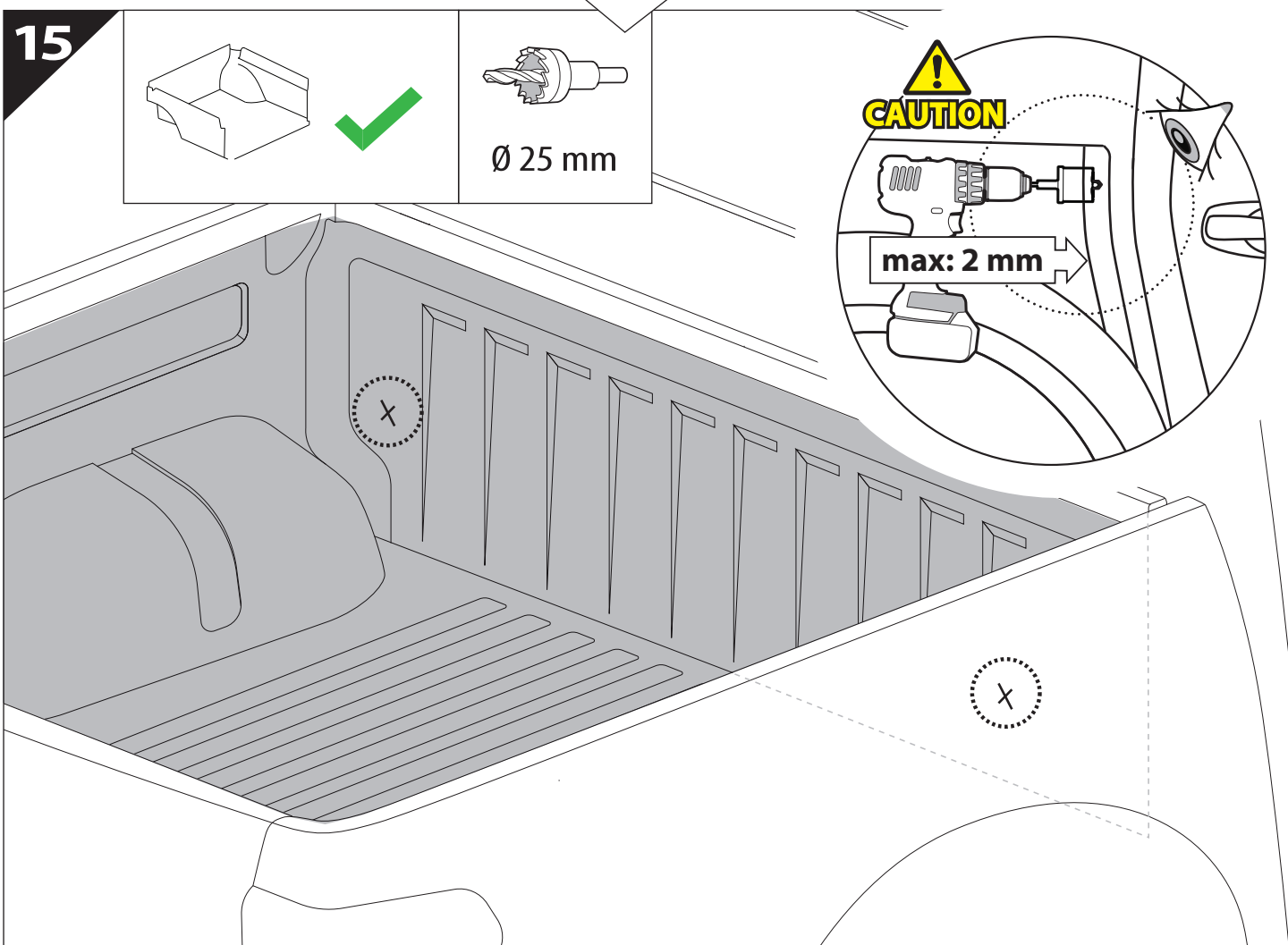
15



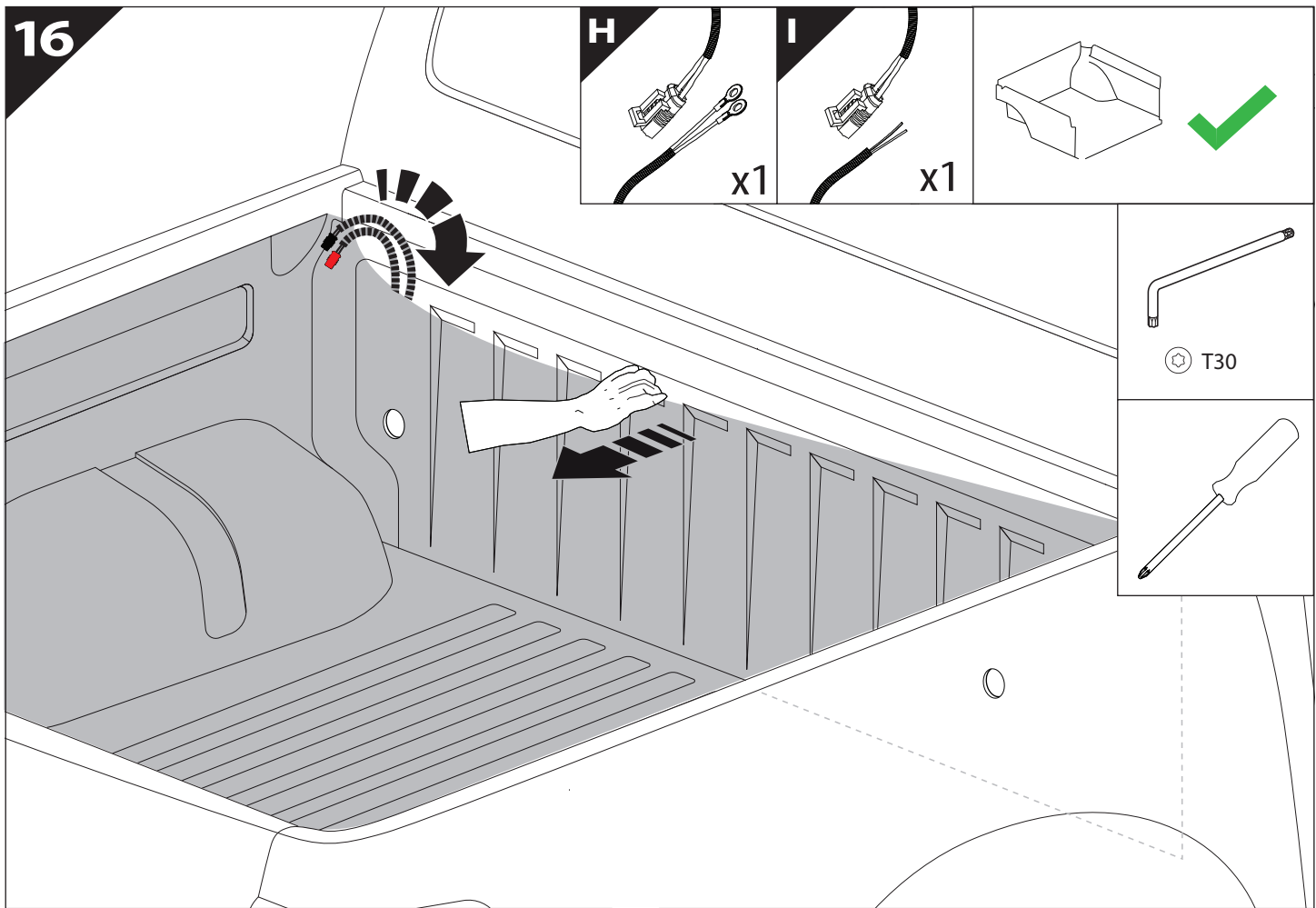
Ø 25 mm

CAUTION

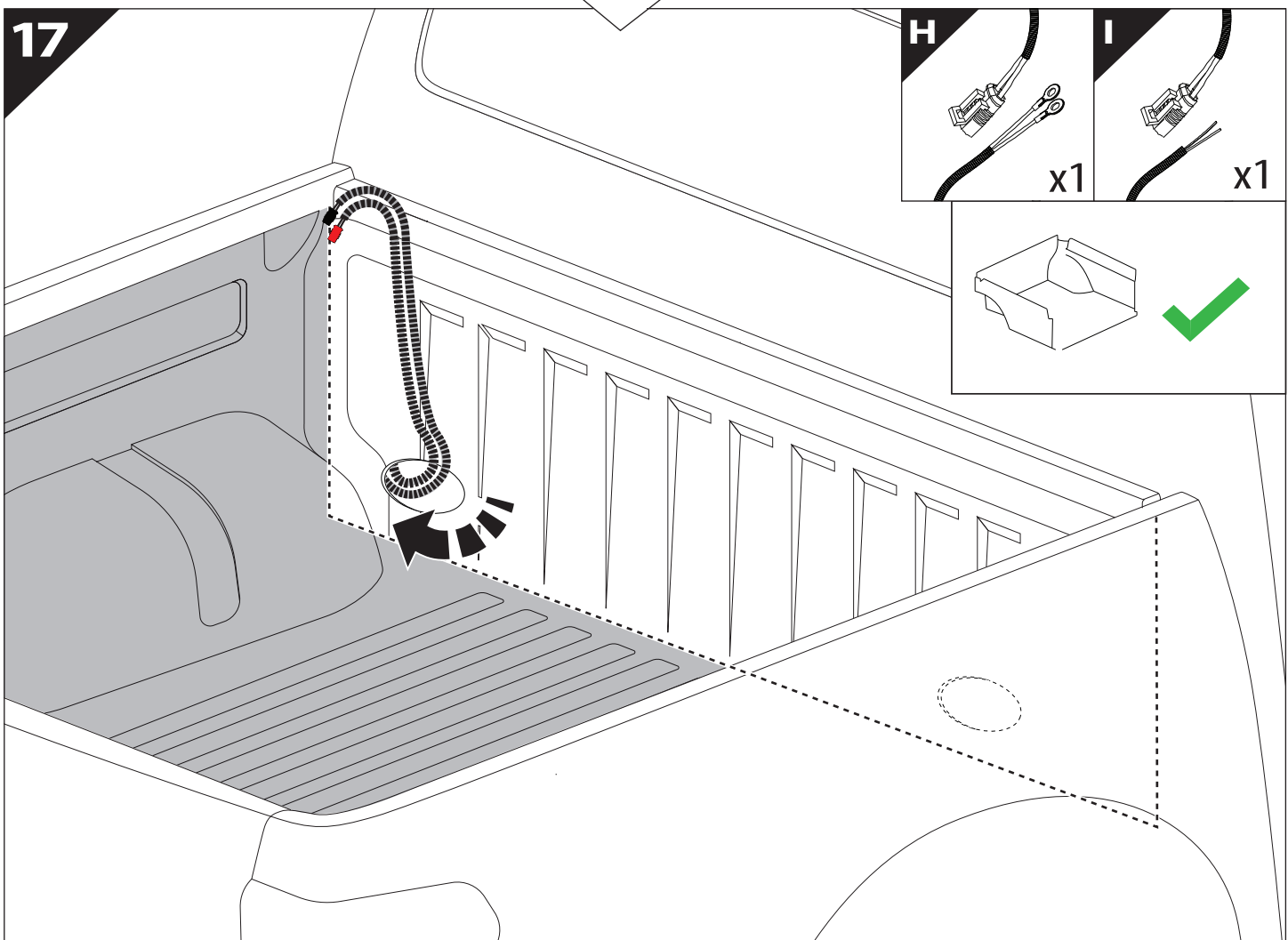
max: 2 mm



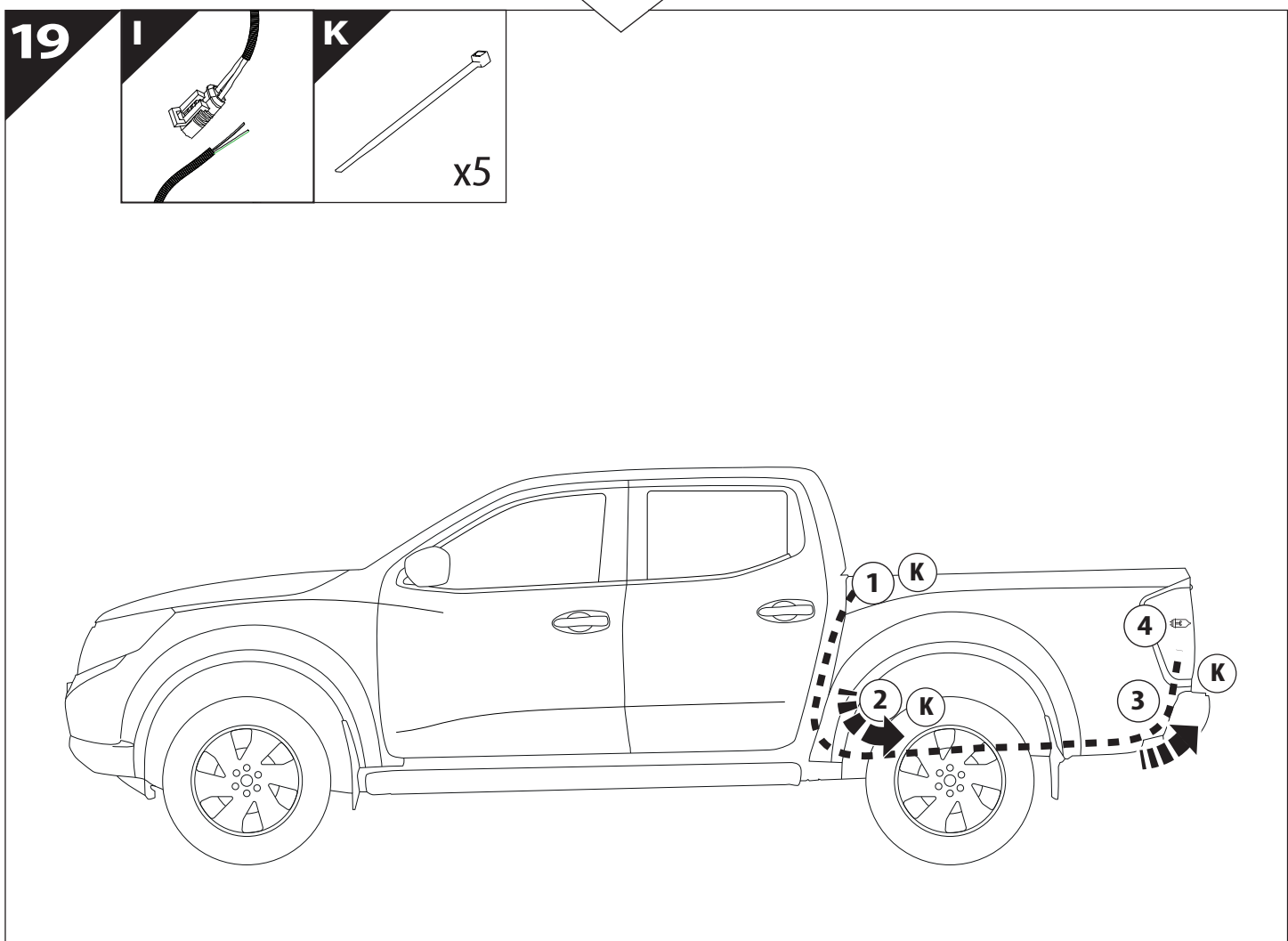
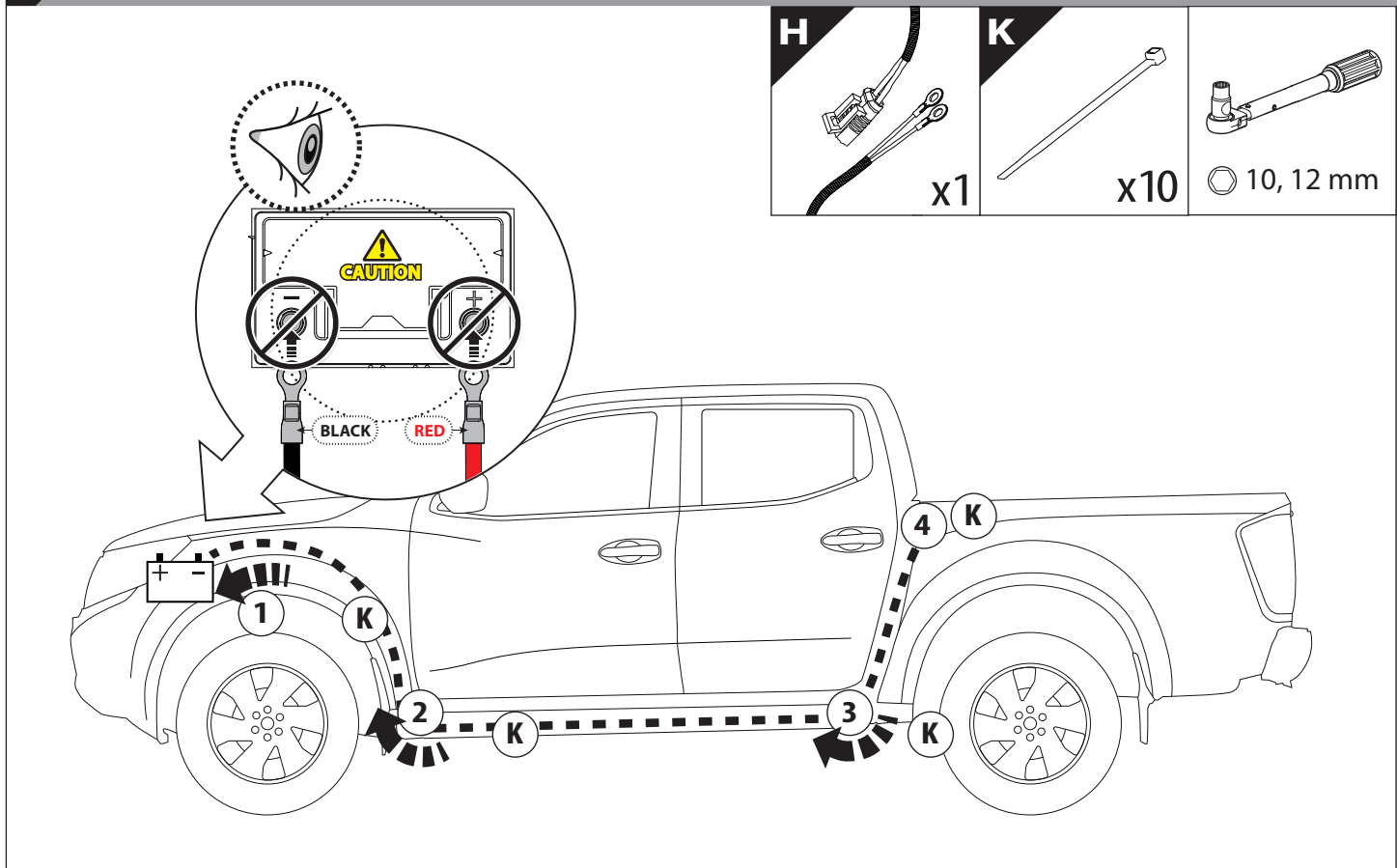
16



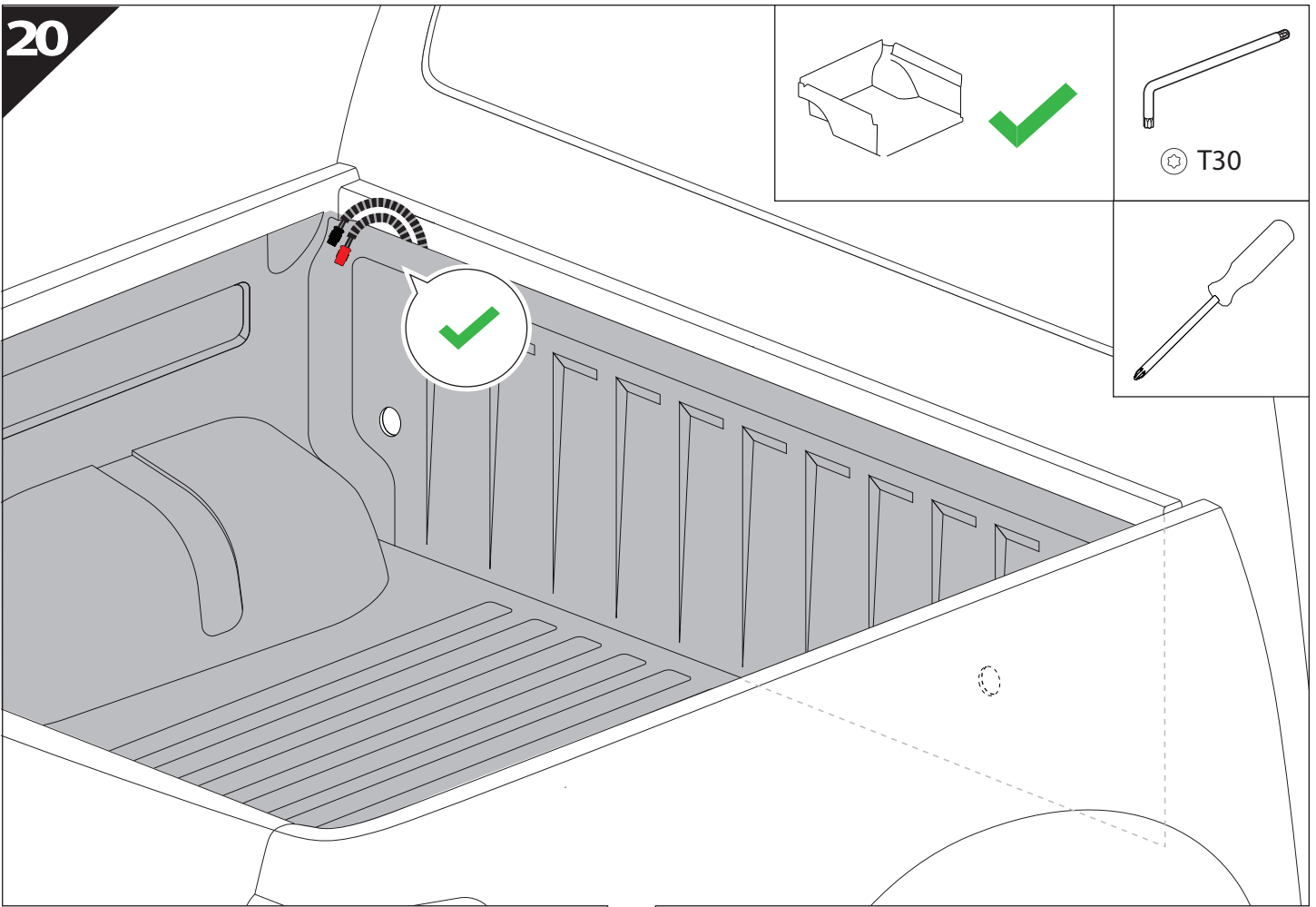
17



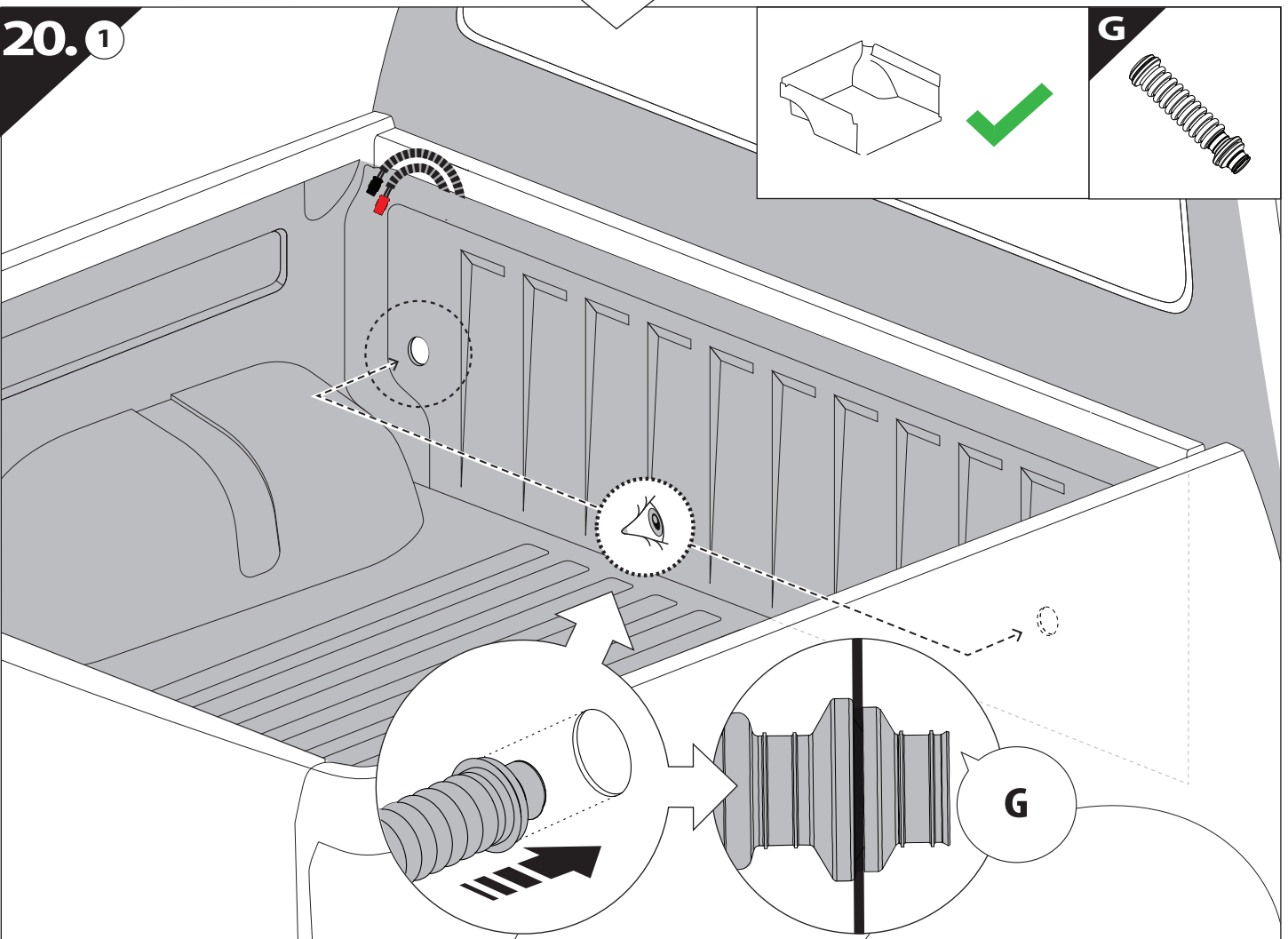
Only to be installed by authorized personnel



20

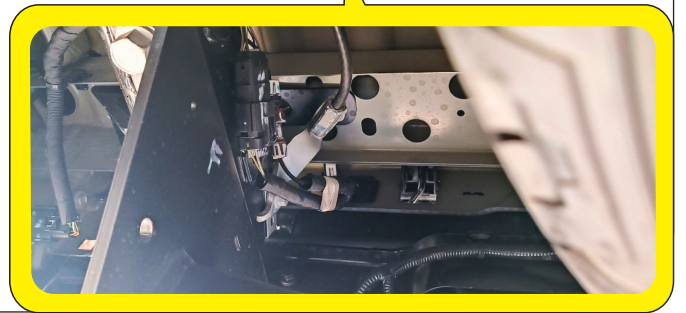
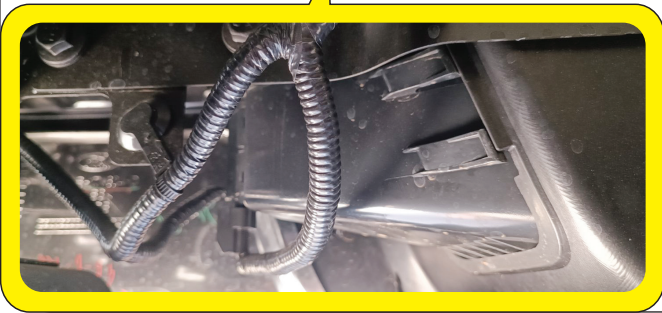
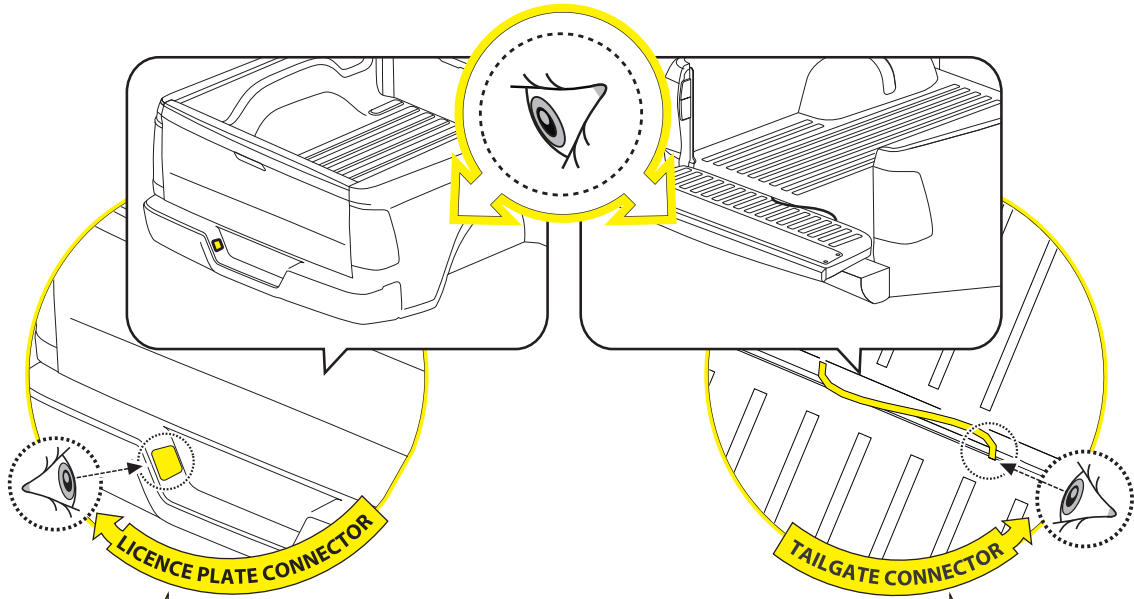


20.1

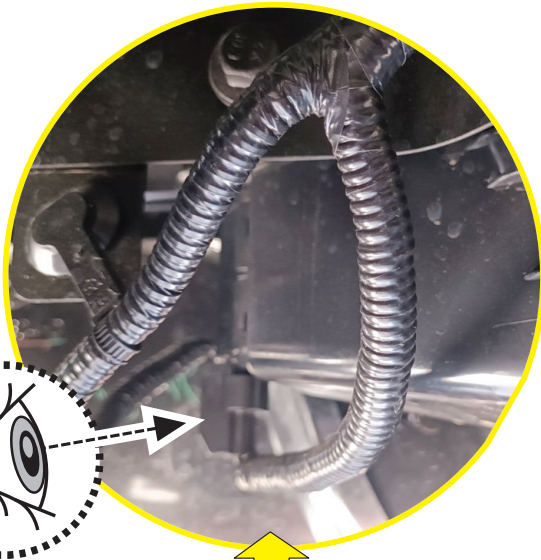




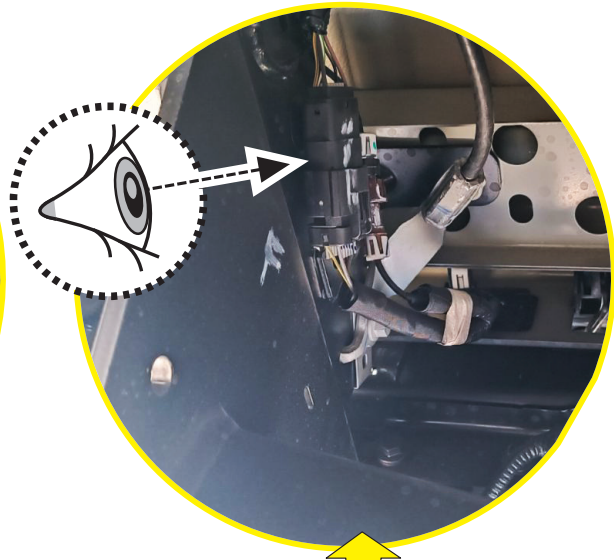
CAUTION: LIMITED, WILDTRAK, WILDTRAK X, PLATINUM



21. ①



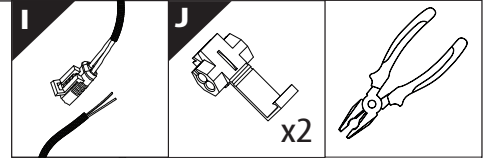
LICENCE PLATE CONNECTOR



TAILGATE CONNECTOR

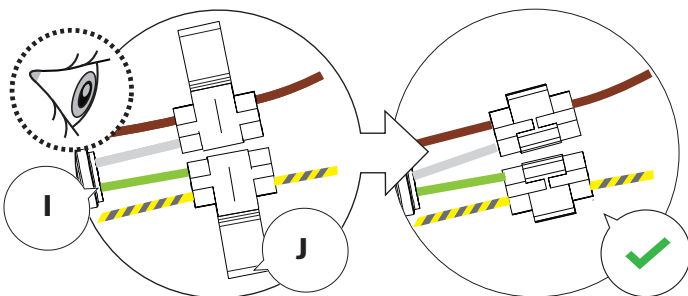
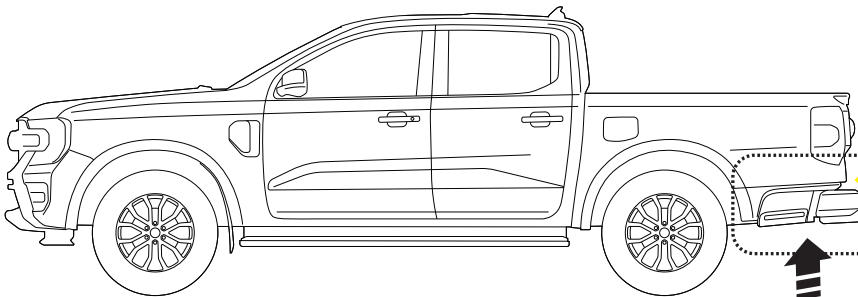
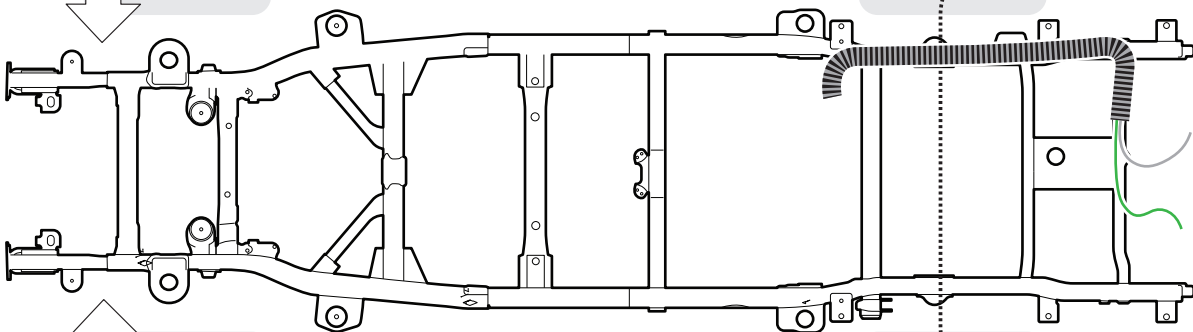
21. ②

BOTTOM VIEW

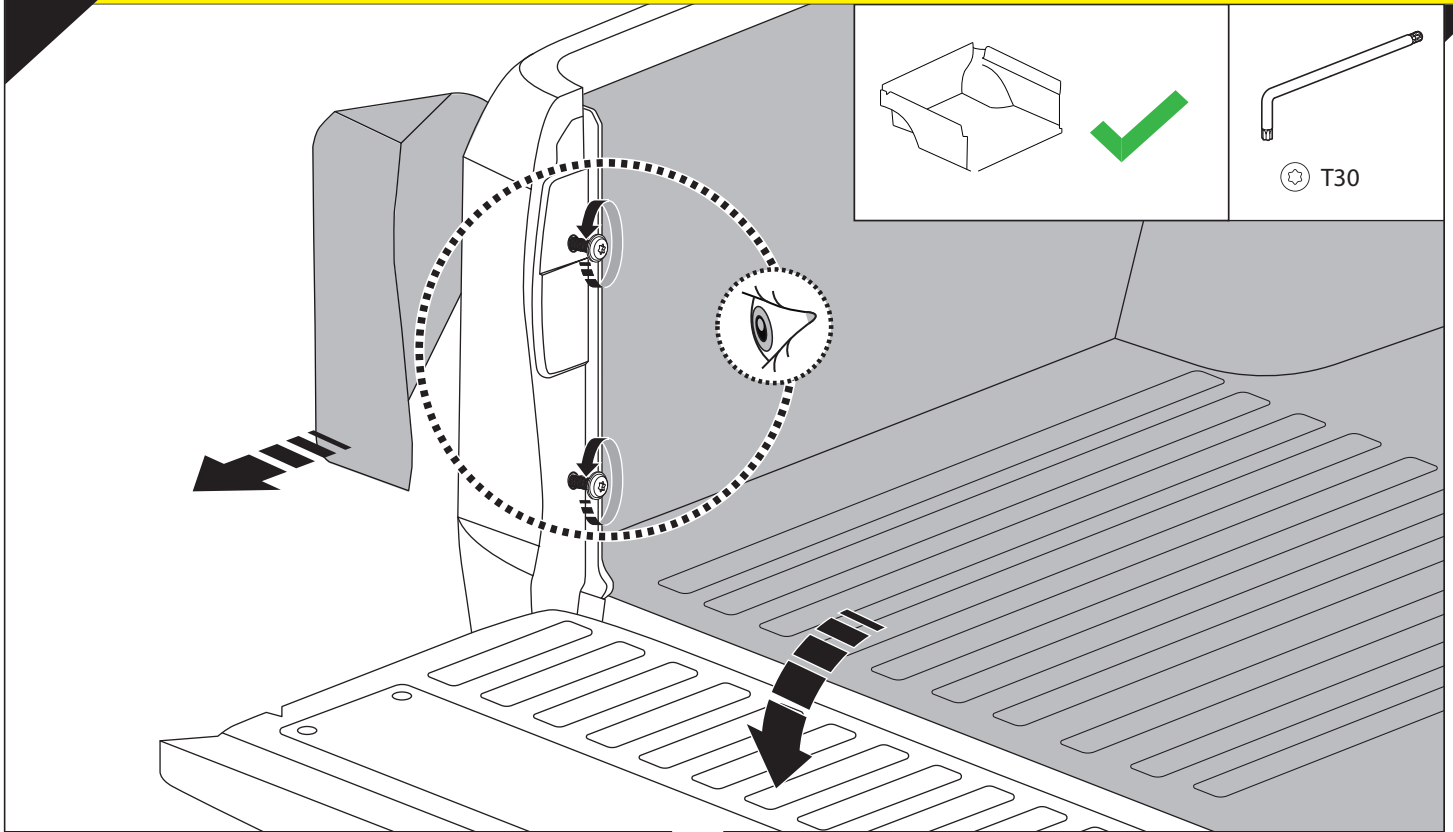


DRIVER'S LEFT SIDE

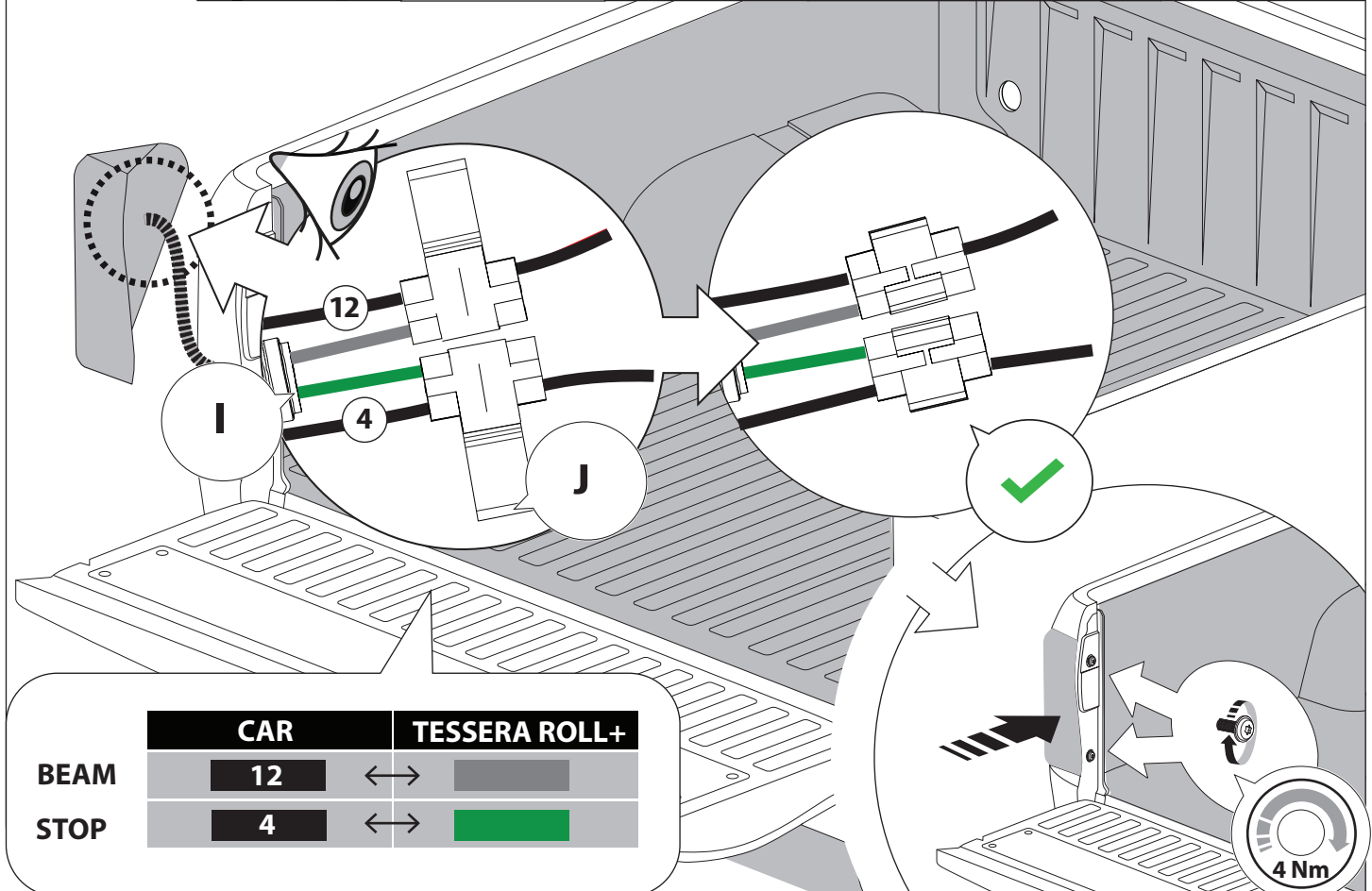
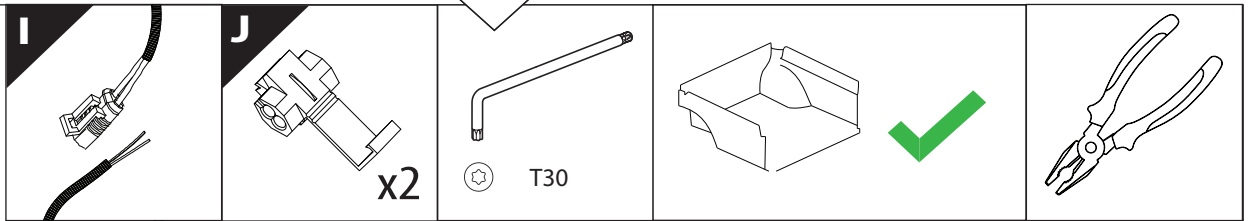
PASSENGER'S RIGHT SIDE



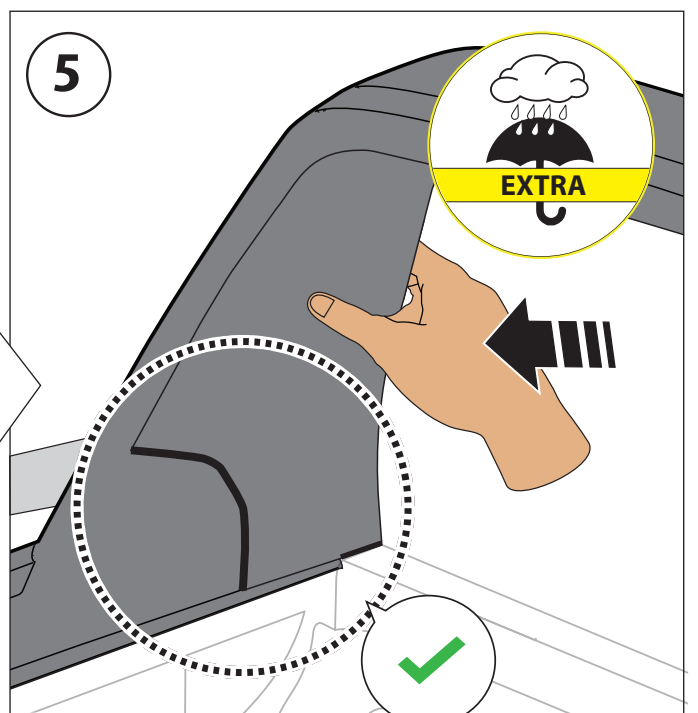
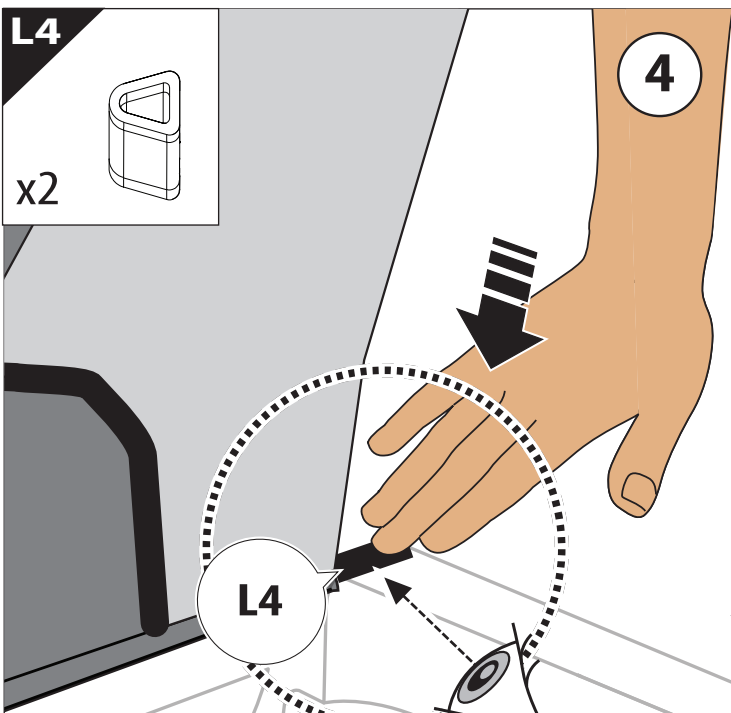
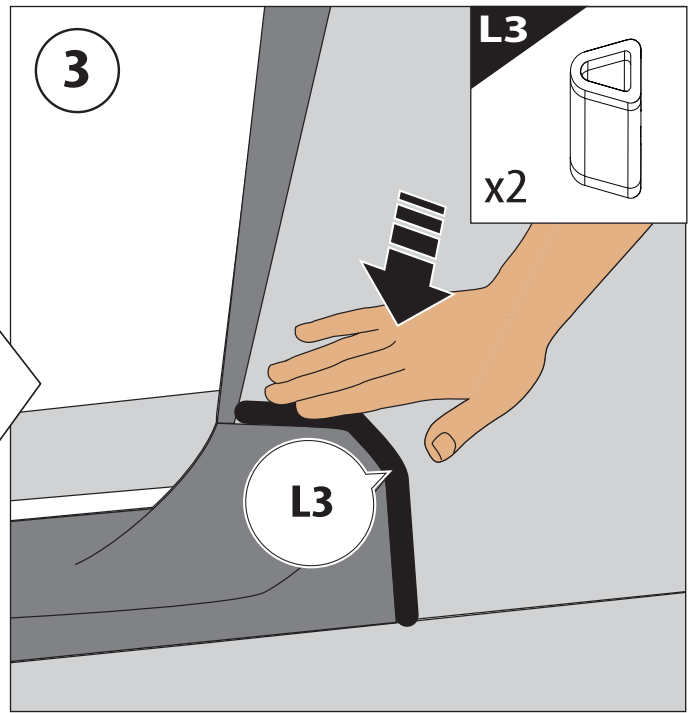
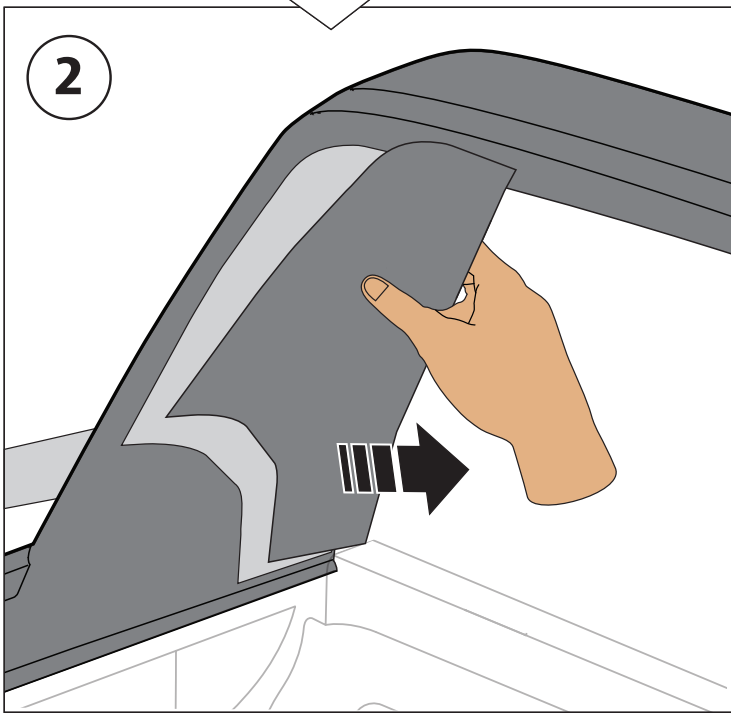
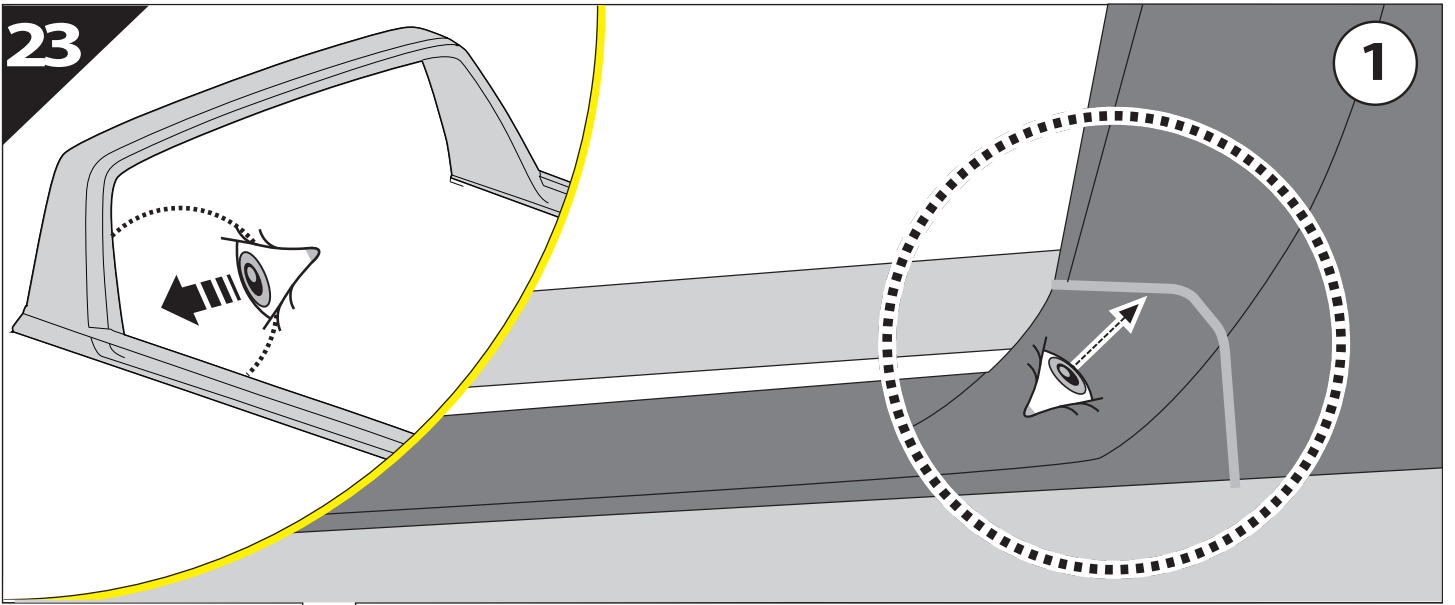
	CAR		TESSERA ROLL+
BEAM		↔	
LICENCE PLATE 2 PIN LIGHT CONNECTOR			
STOP		↔	
TAILGATE CONNECTOR			



22.1



	CAR		TESSERA ROLL+
BEAM	12	↔	
STOP	4	↔	



24

Basic Version ✓

Basic+S-KIT Version ✓

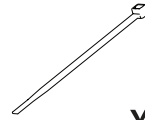
CAUTION ⚠

Basic+E-KIT Version ✓

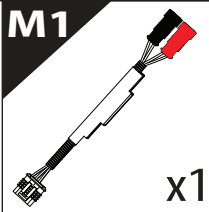


K

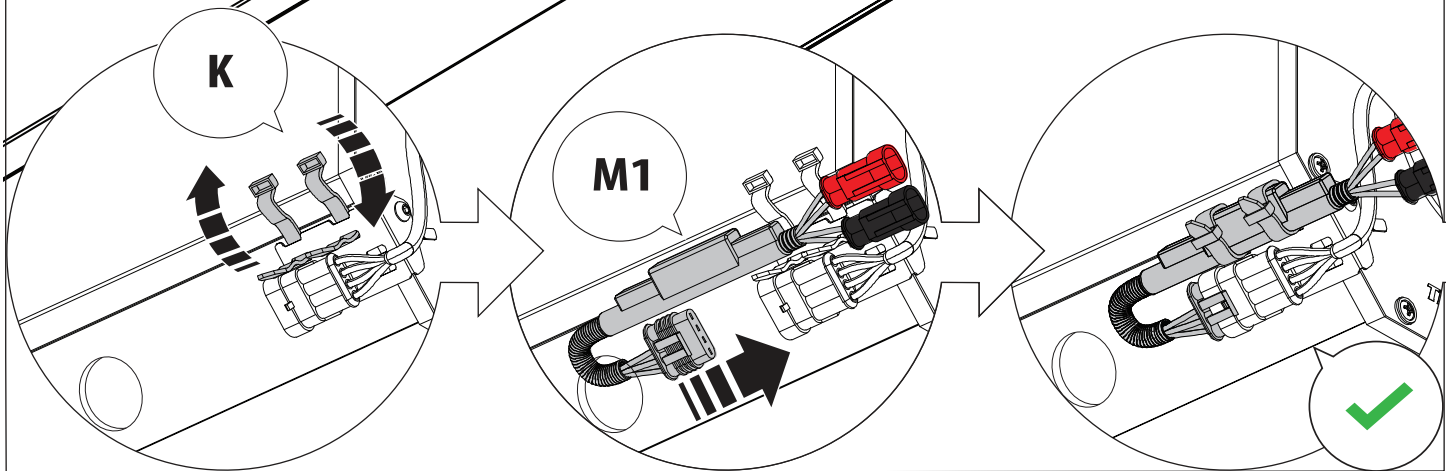
M1

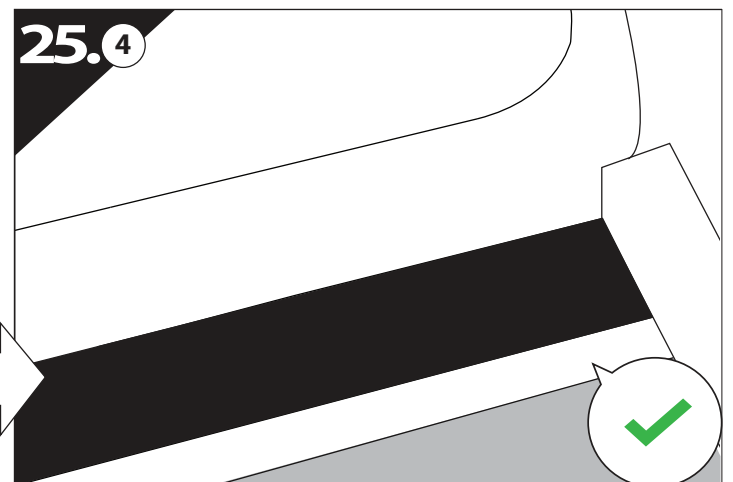
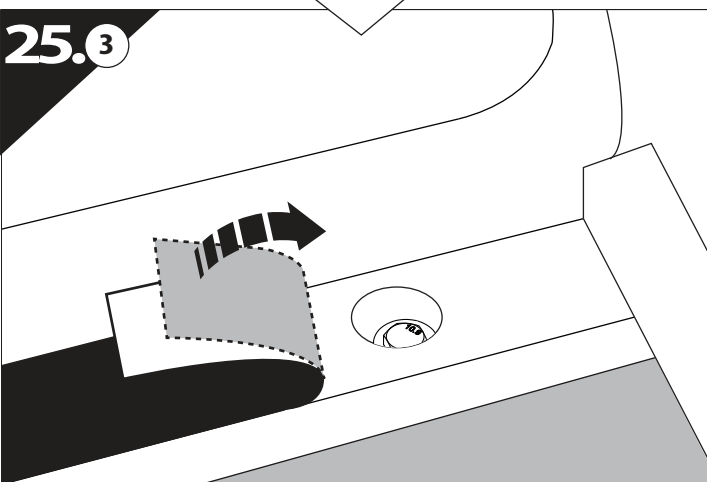
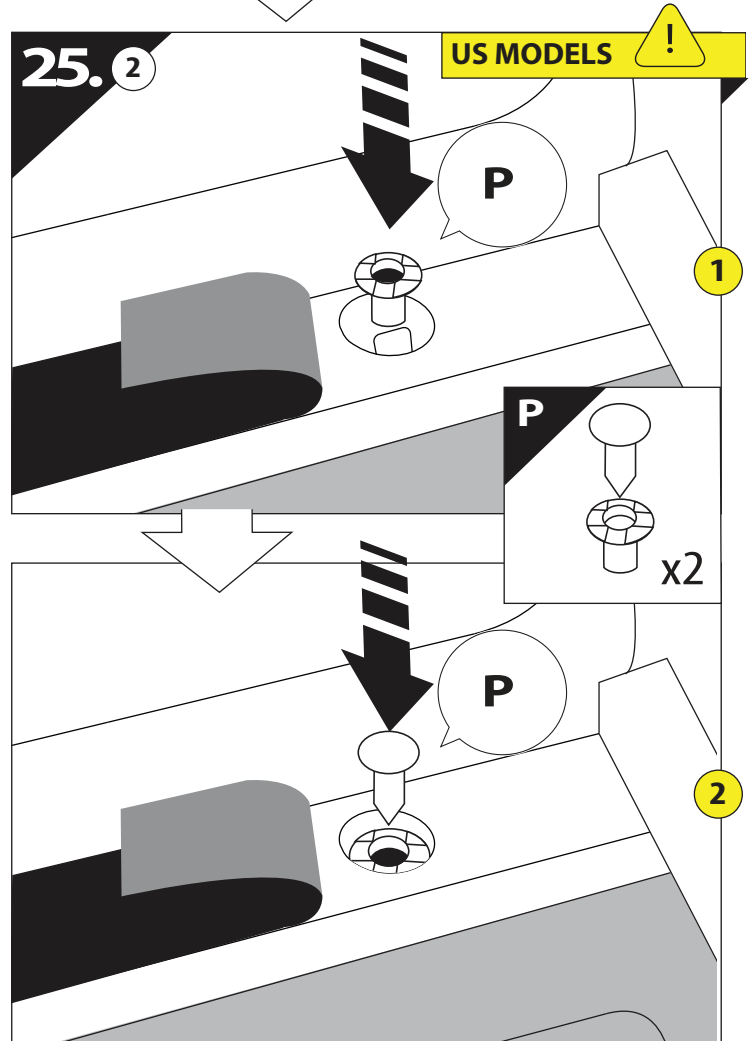
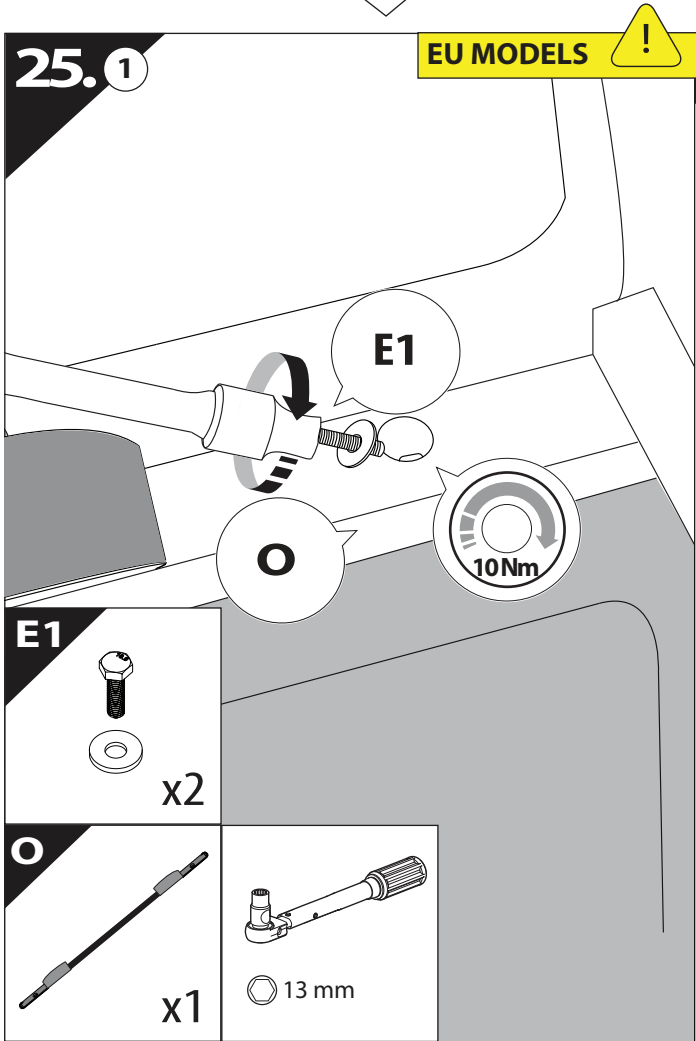
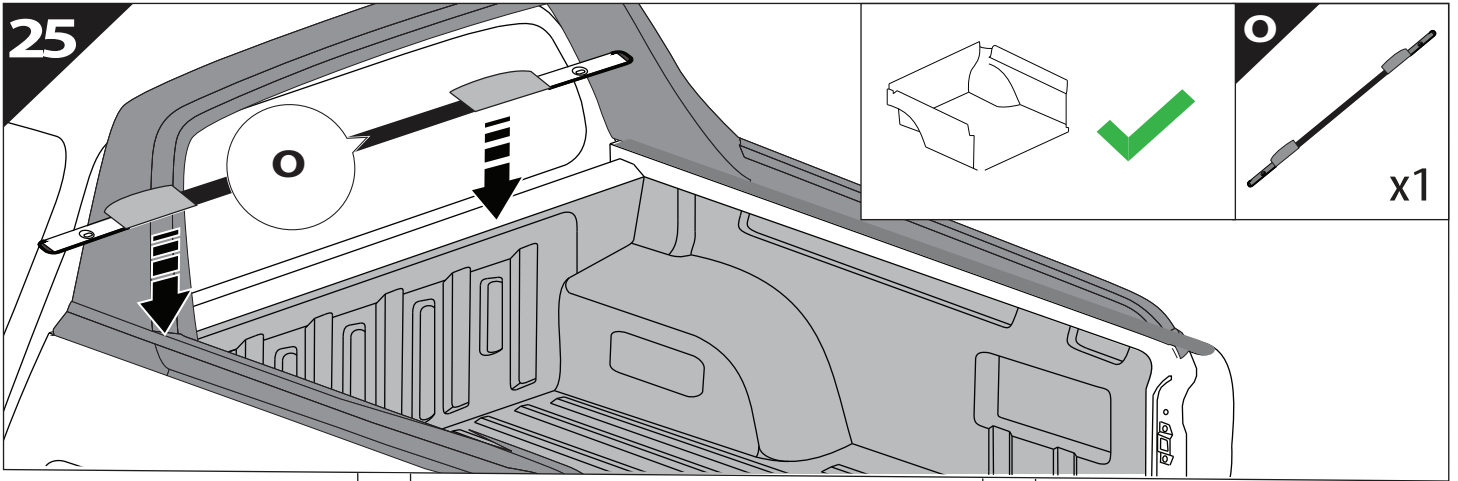


x2



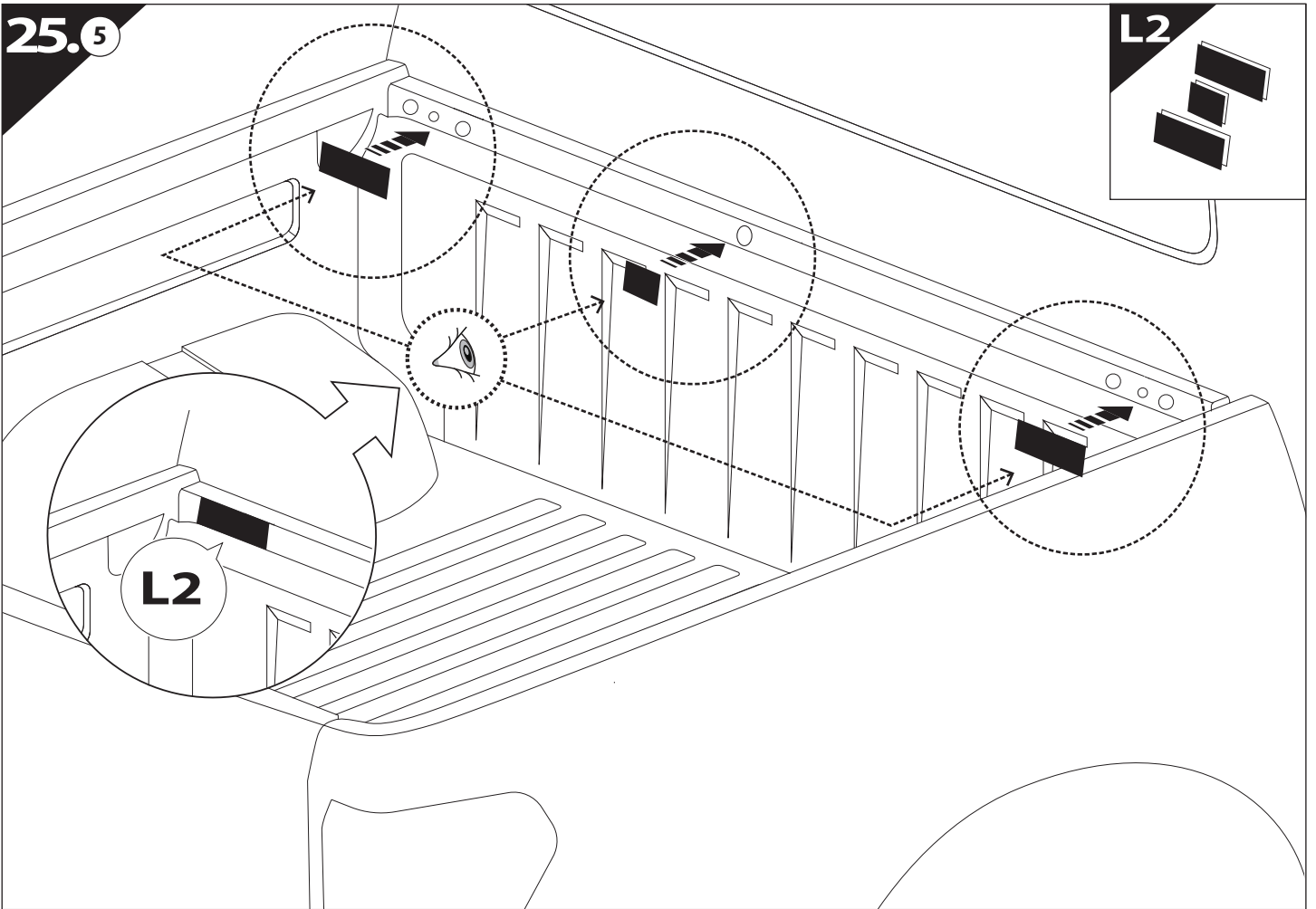
x1

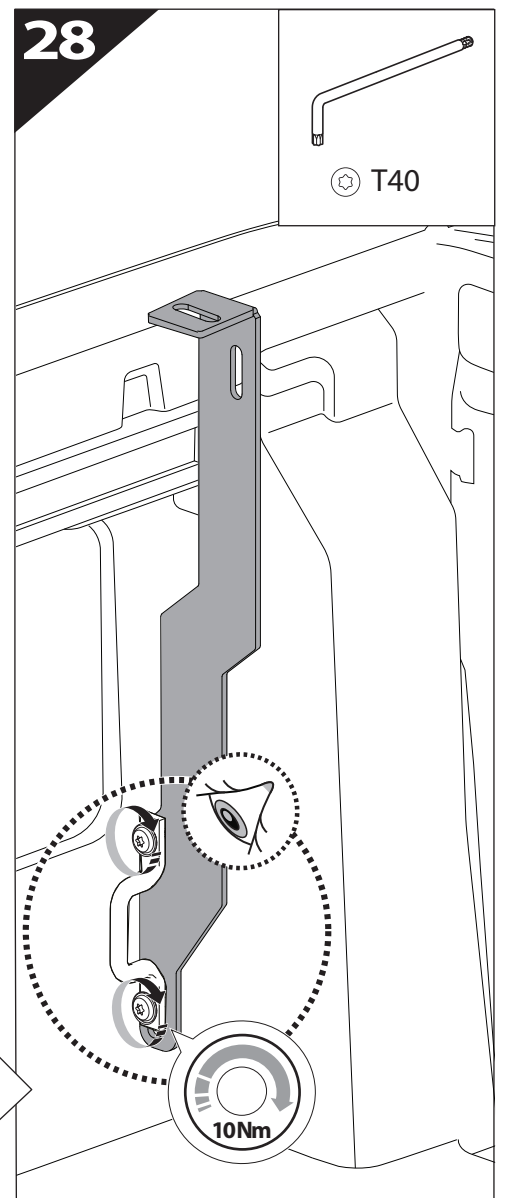
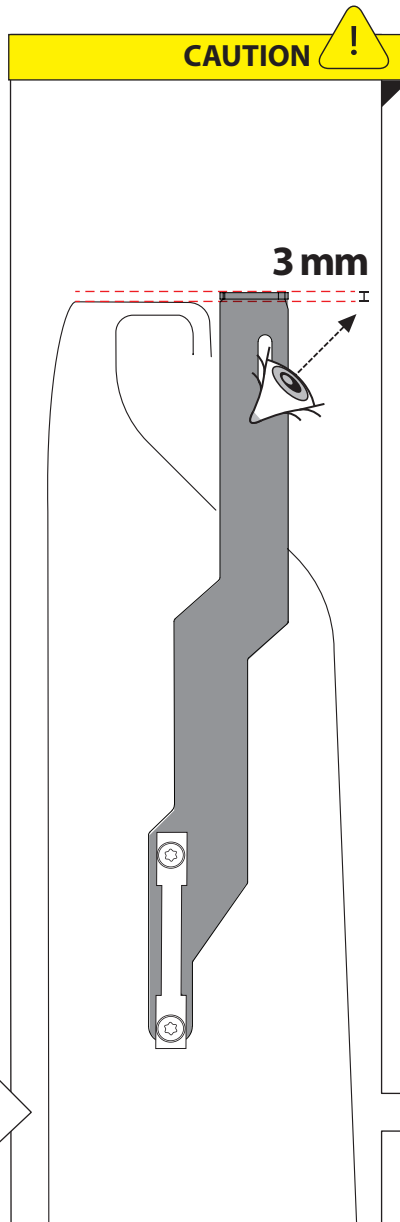
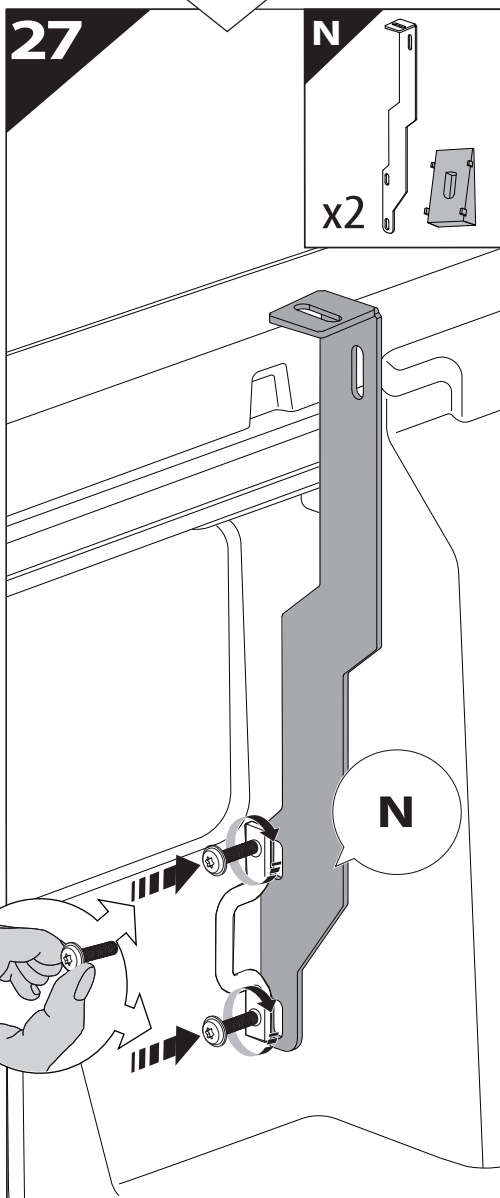
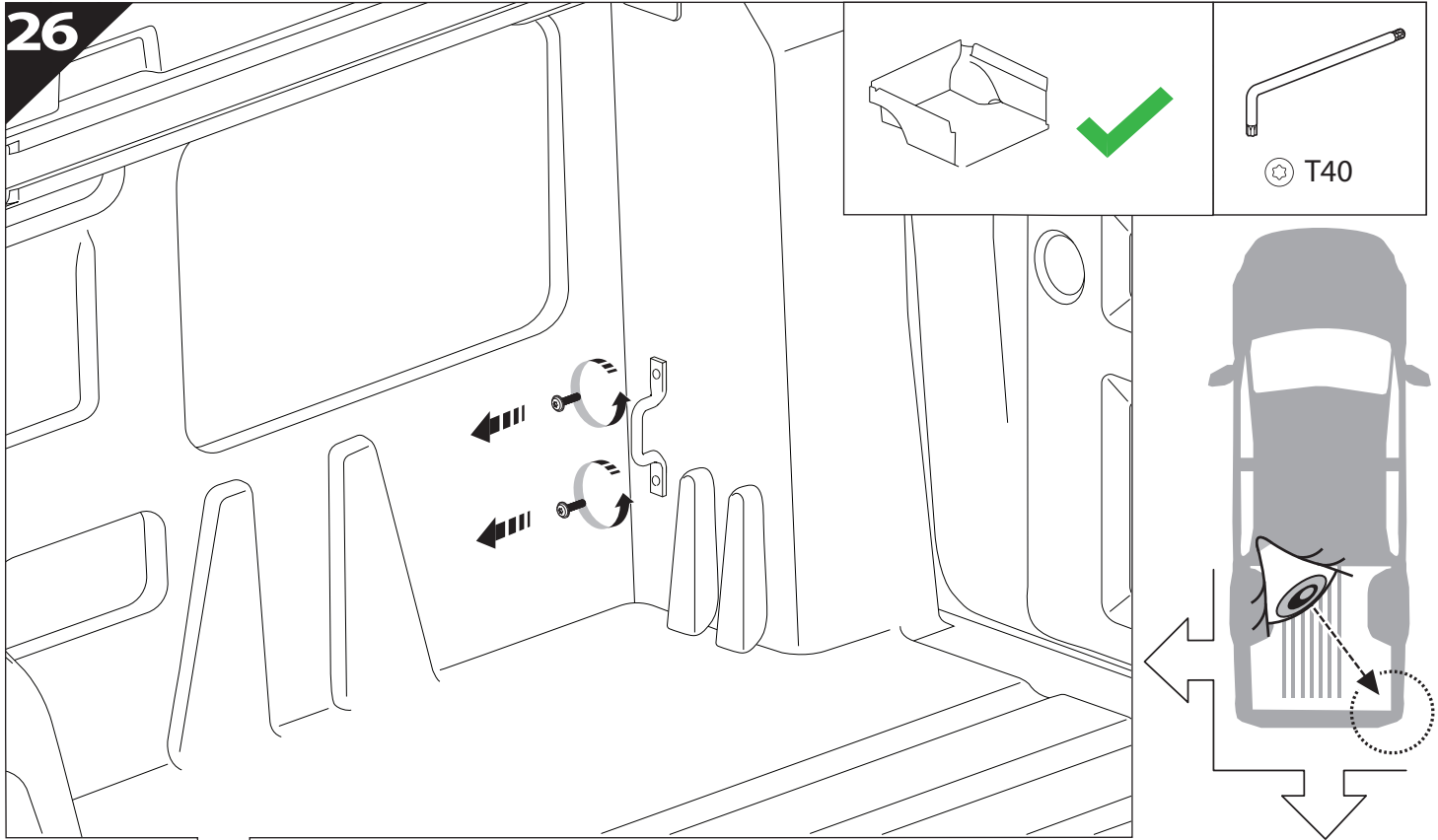




25.6

L2





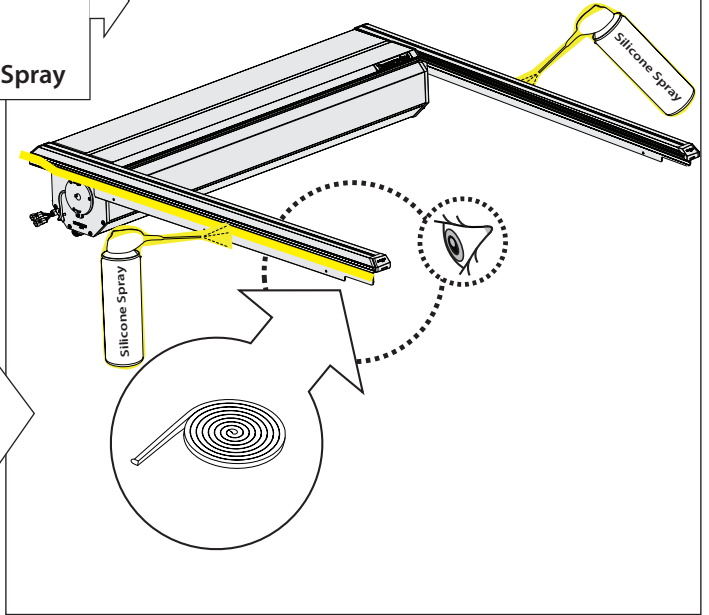
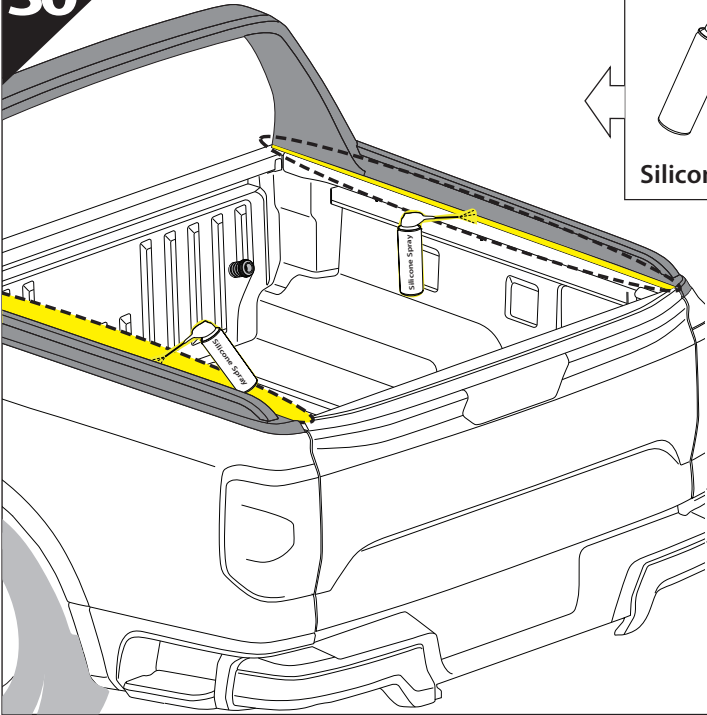
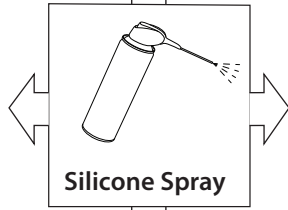
29.1

Basic+S-KIT Version

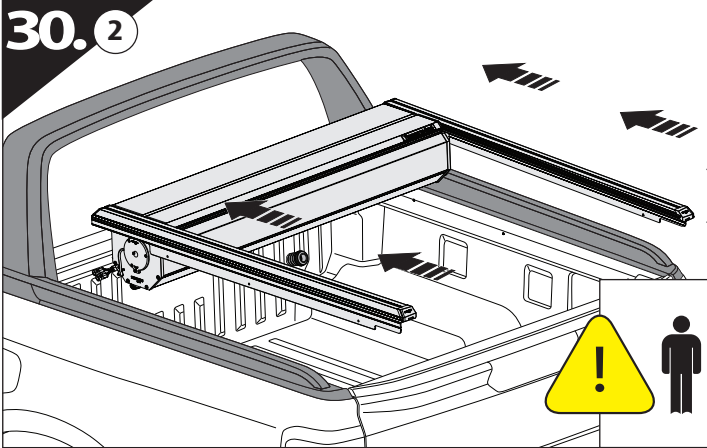
S-KIT
MANUAL

30.1

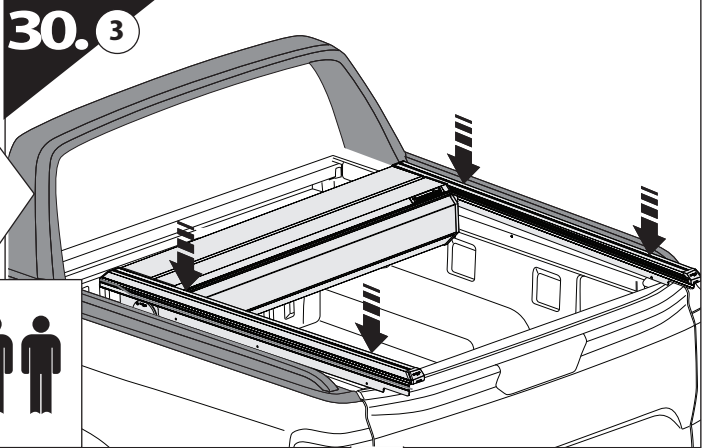
30



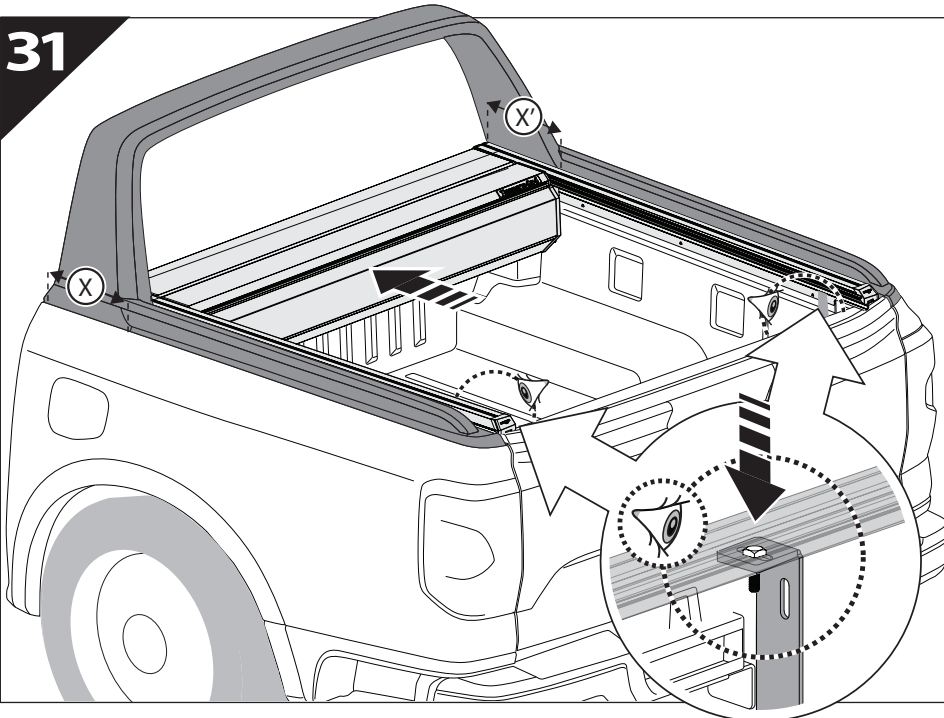
30.2

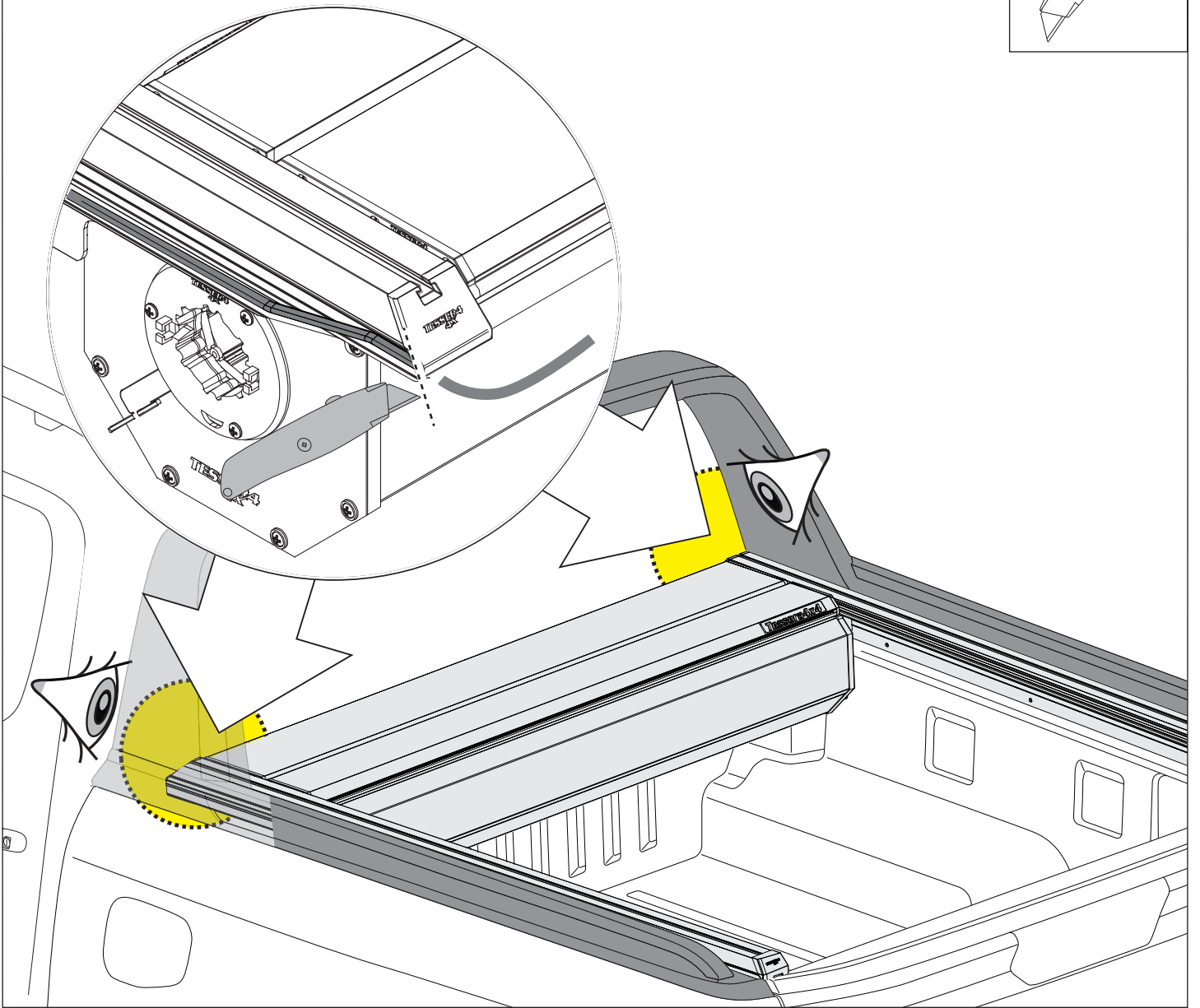
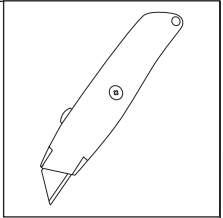


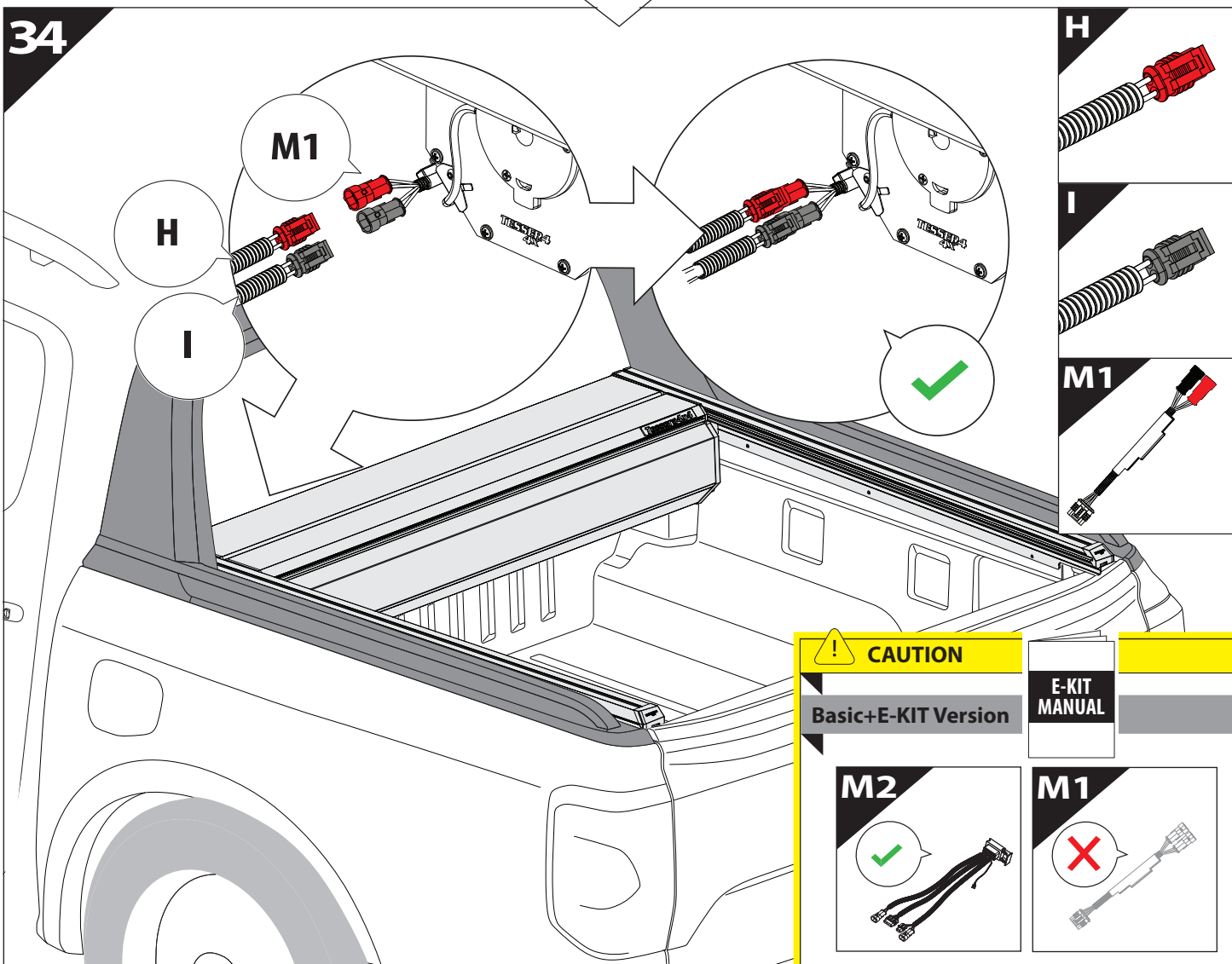
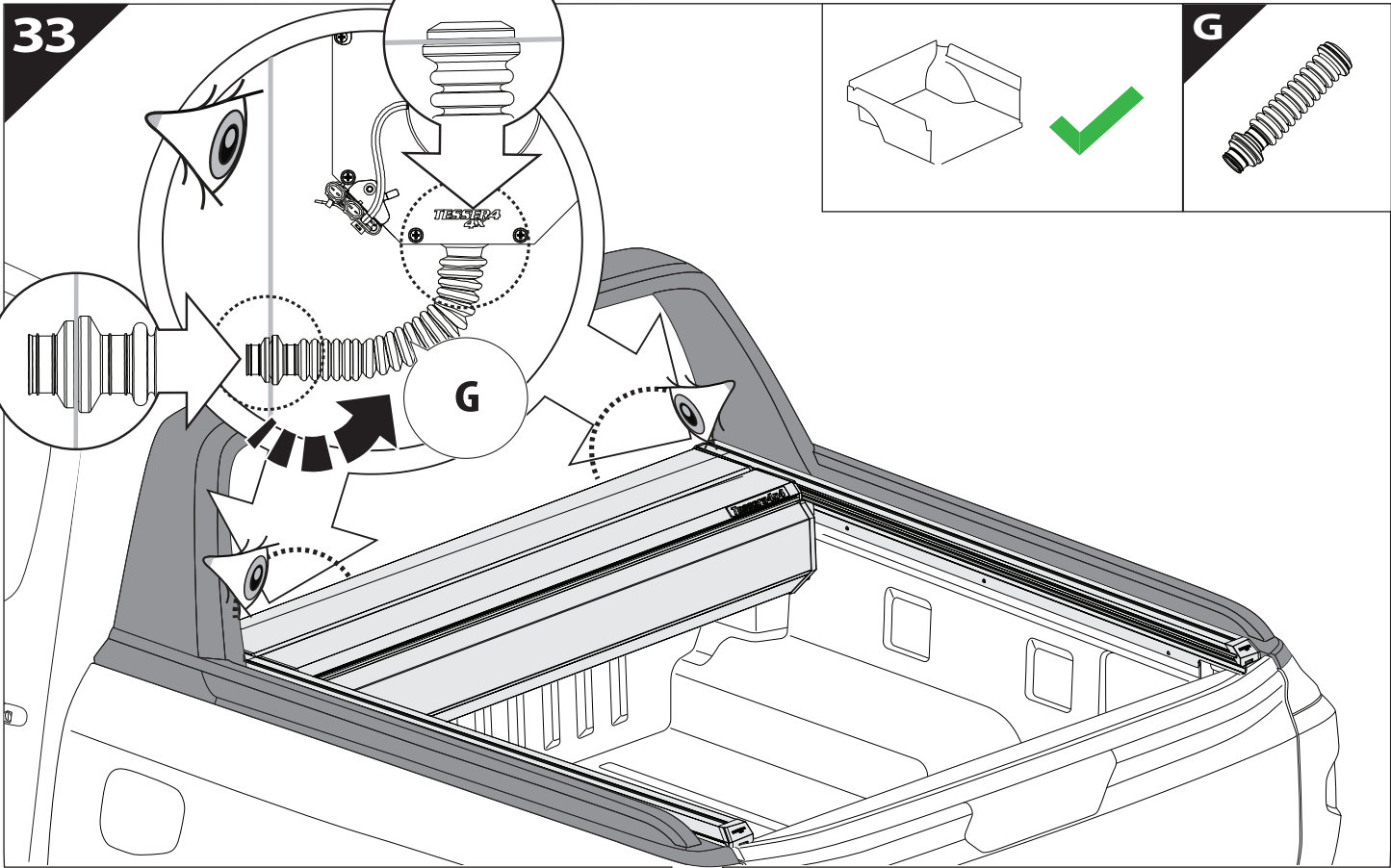
30.3



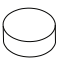

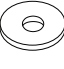
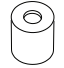


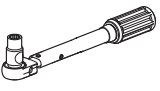

31

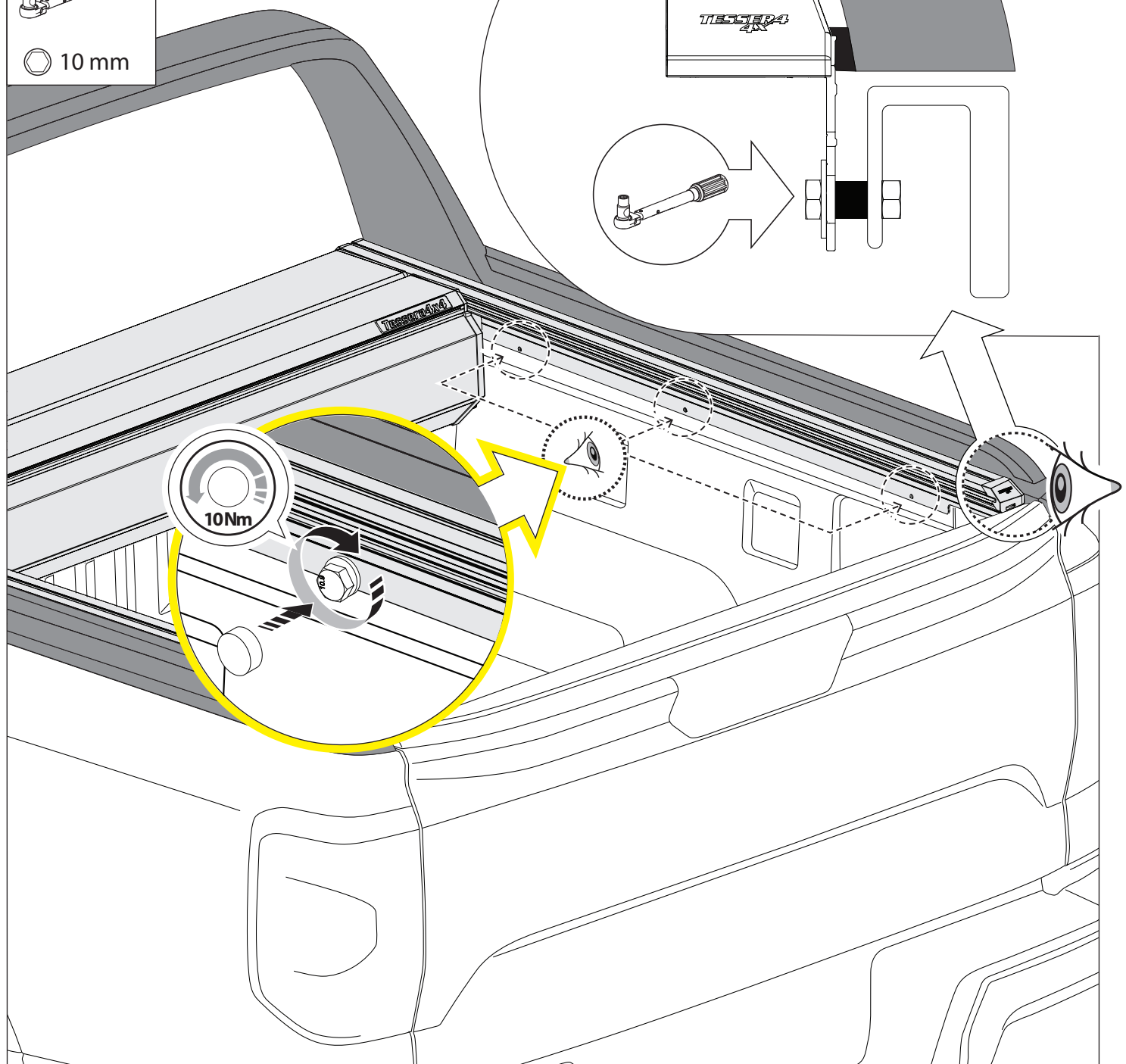
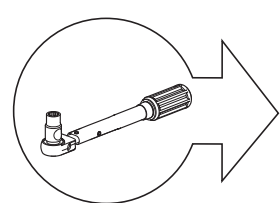
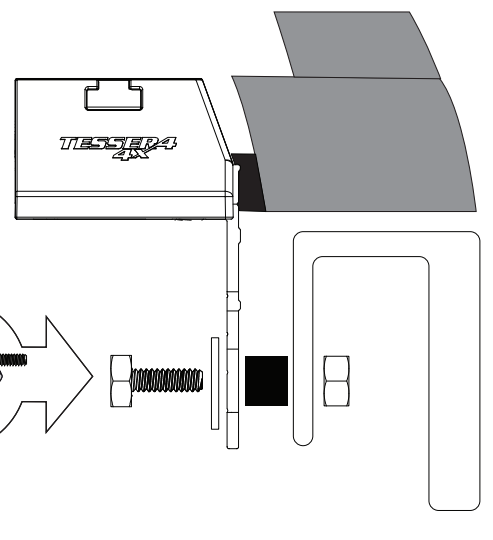
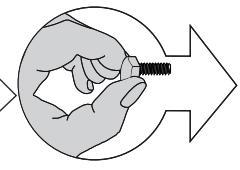
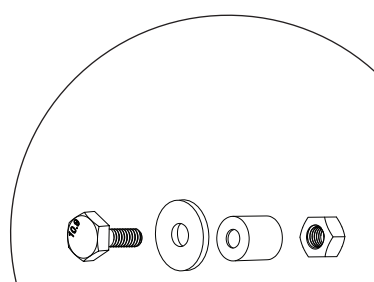


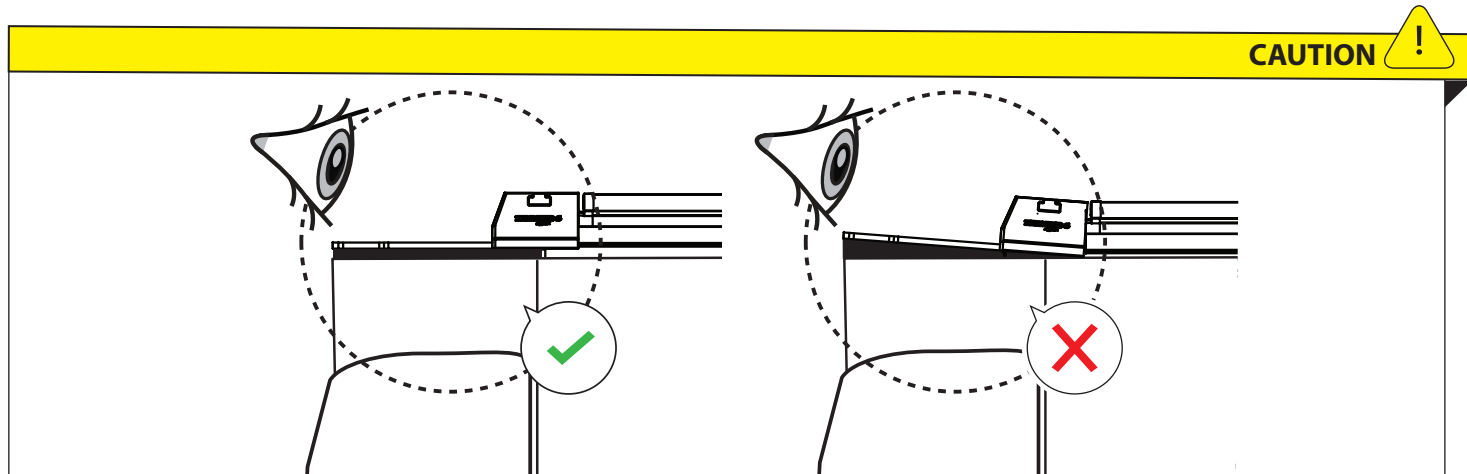
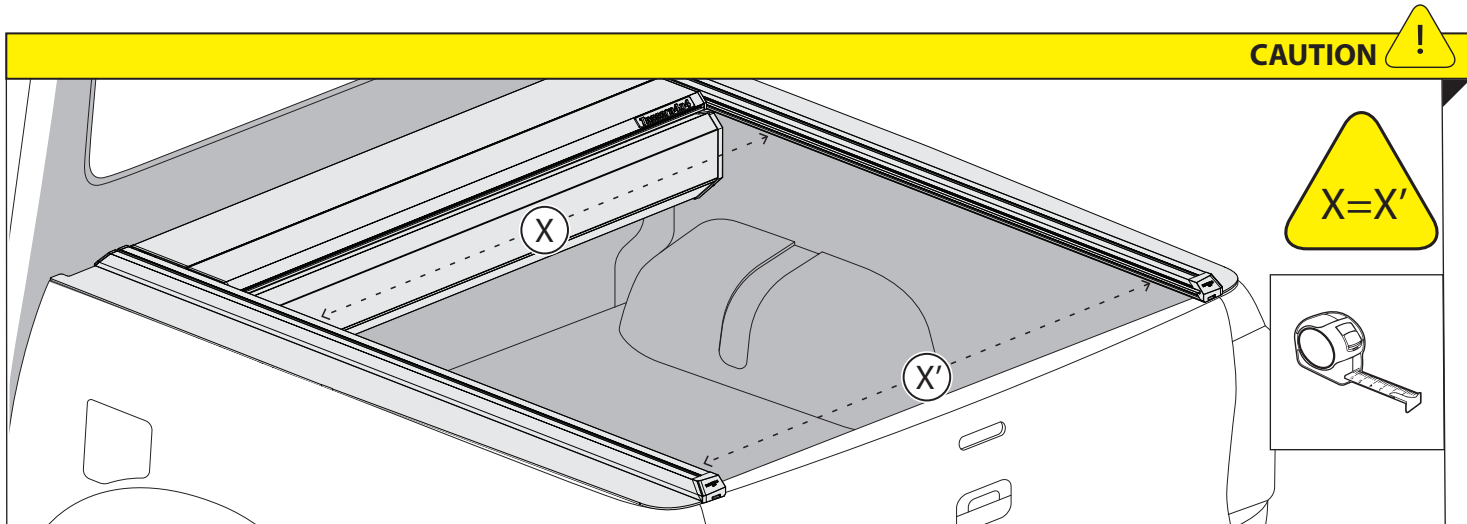
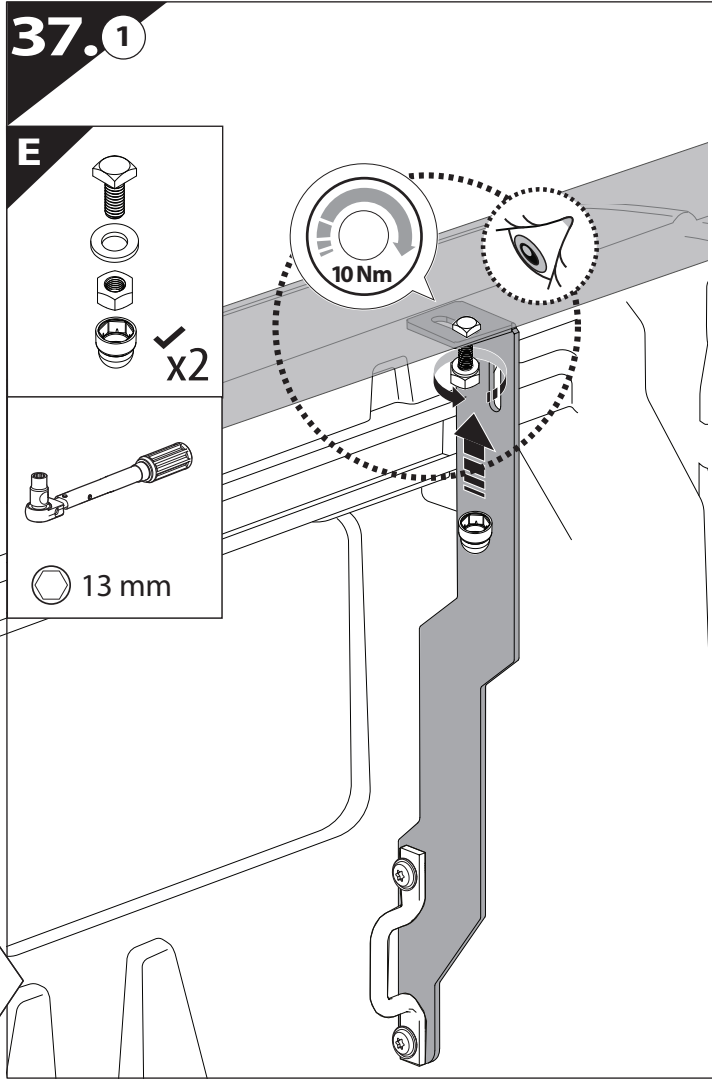
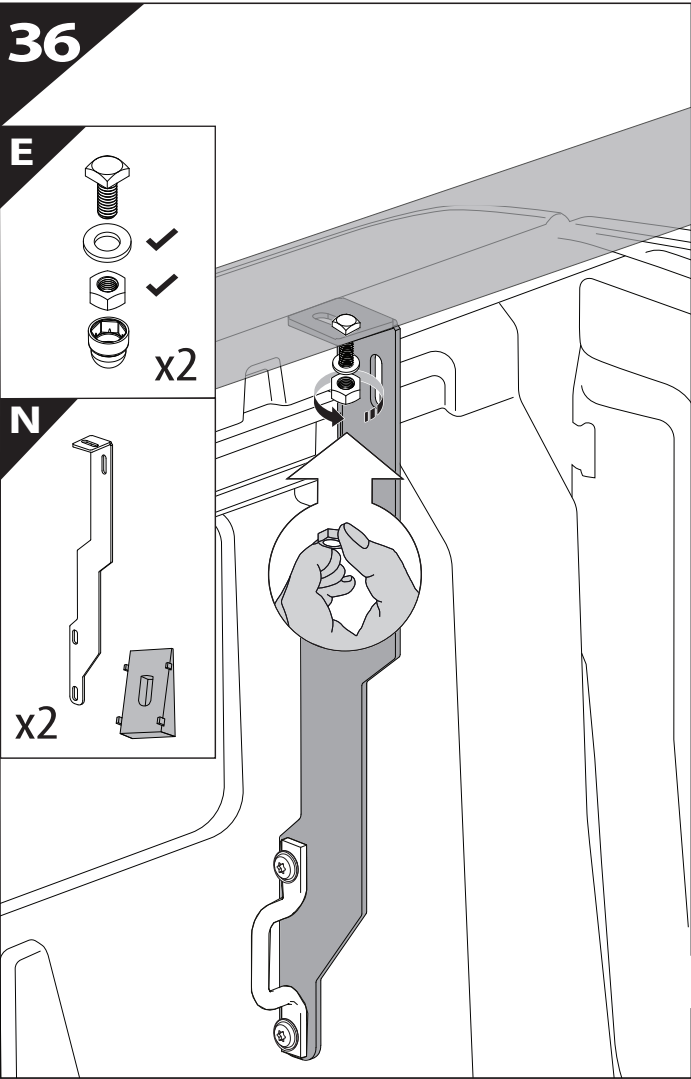


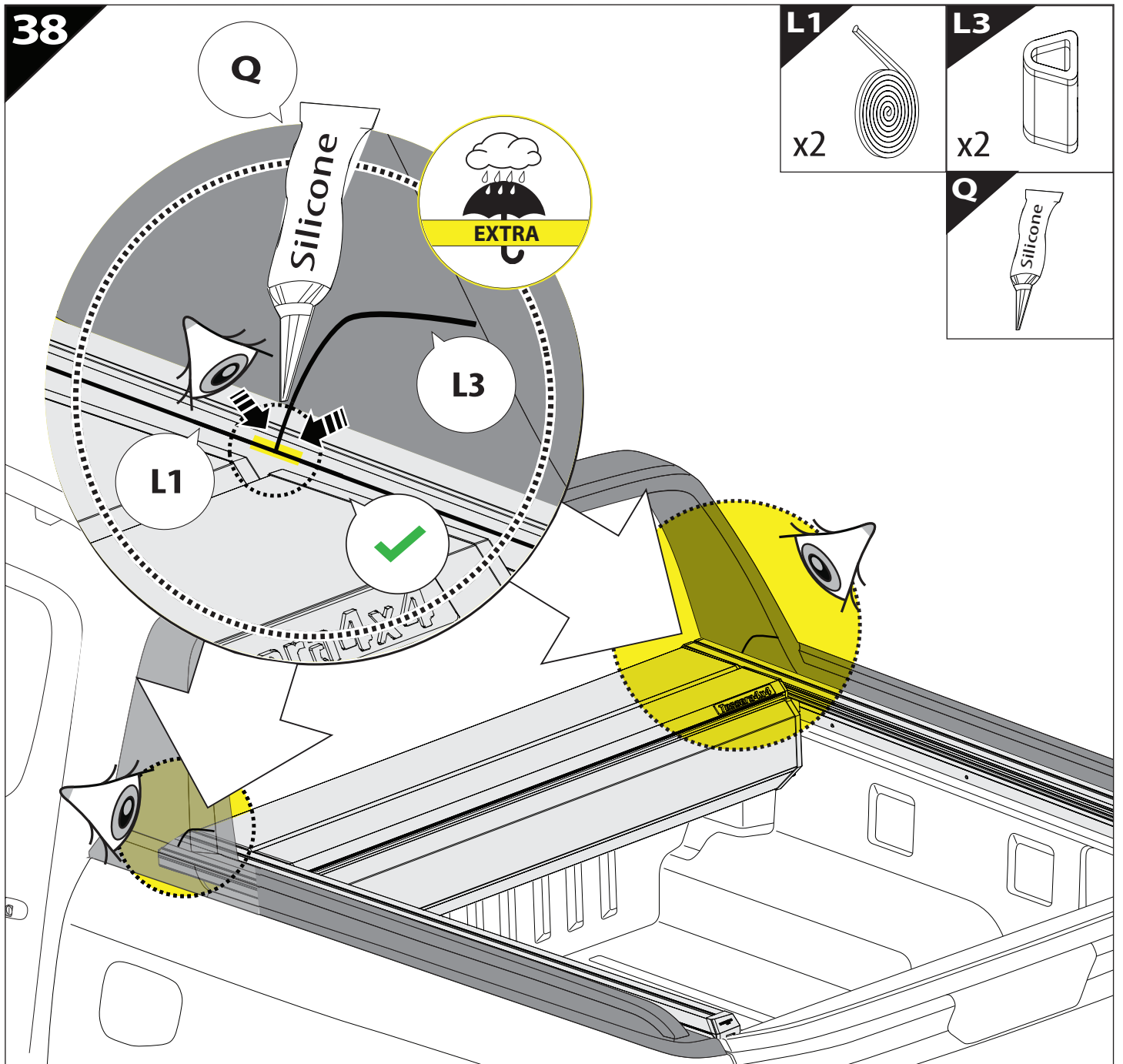


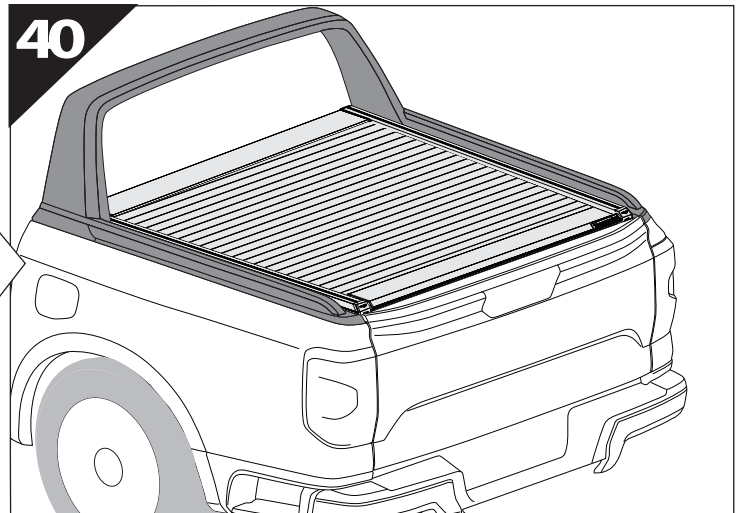
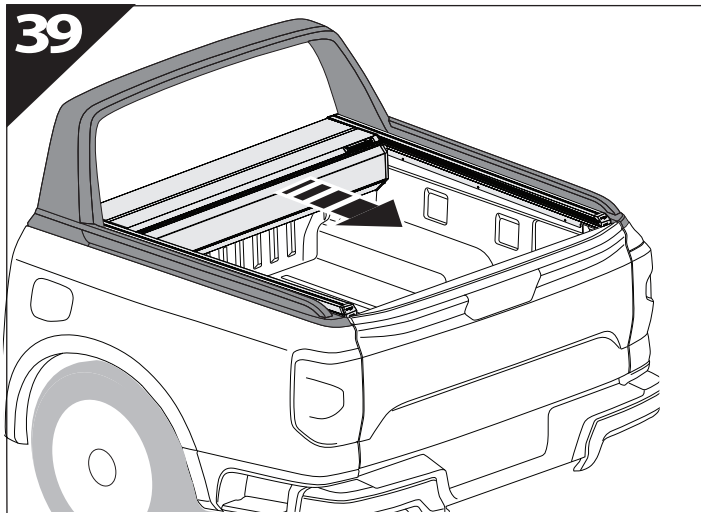
35

- E2
-  ✓
 -  ✓
 -  ✓
 -  ✓
 -  ✓
 -  ✓
- x6
- 
 -  10 mm









GR: Οδηγίες Εγκατάστασης
GB: Installation manual
SF: Asennusohje
F: Notice de montage
PL: Instrukcja montażu
NL: Installatie-instructies
TR: Montaj Talimatı
S: Monteringsanvisning
E: Instrucciones de montaje

H: Szerelési utasítás
P: Instruções de instalação
RUS: Инструкция по установке
N: Monteringsveiledning
D: Einbauanleitung
CZ: Návod k instalaci
I: Istruzioni de montaggio
DK: Monteringsvejledning
RO: Instructiuni de instalare

Customer Service:

+30 (210) 5541161, +30 (210) 5541154 (08:00 - 16:00 EET)

Support department:

info@gianso.gr

Website:

www.tessera4x4.com

Address:

19.5 km of National road Athens-Korinthos (Elefsina) Greece, P.C: 19200