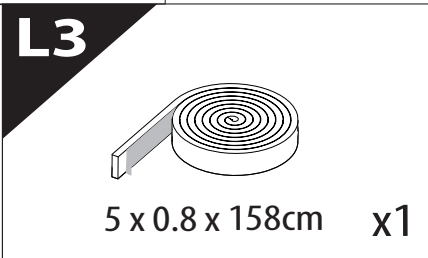
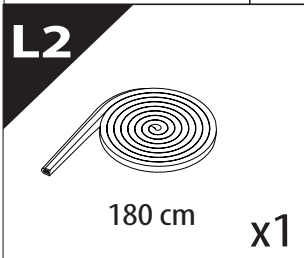
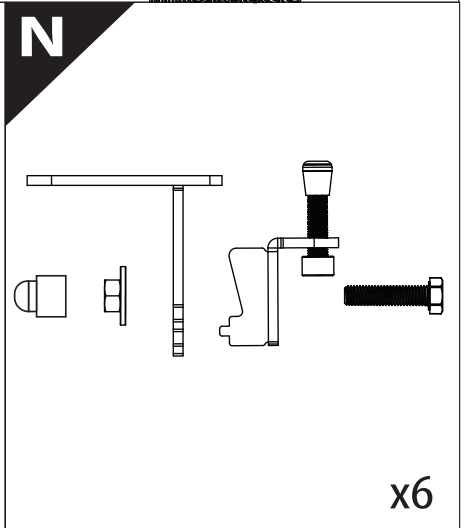
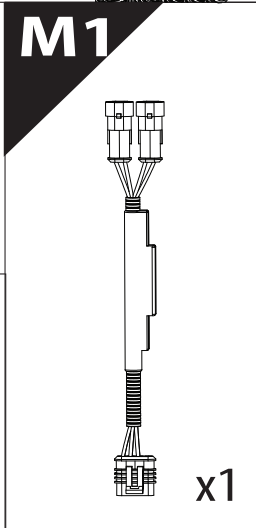
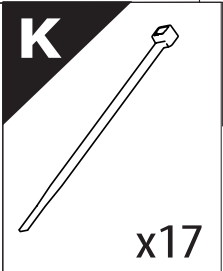
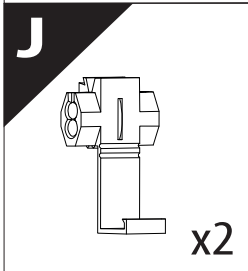
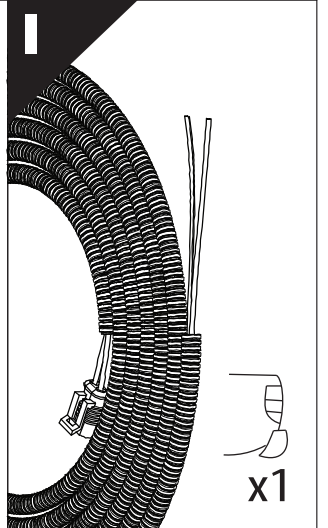
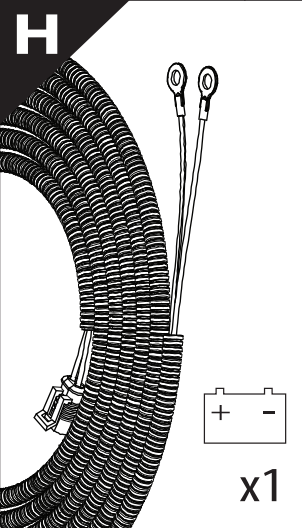
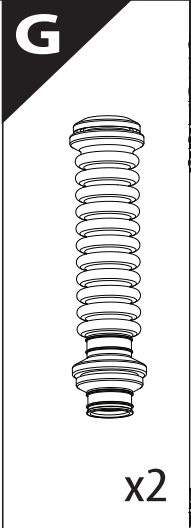
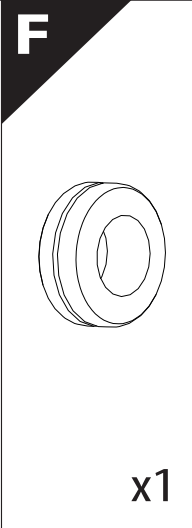
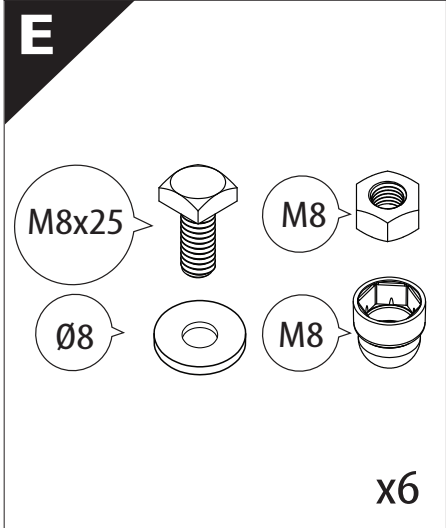
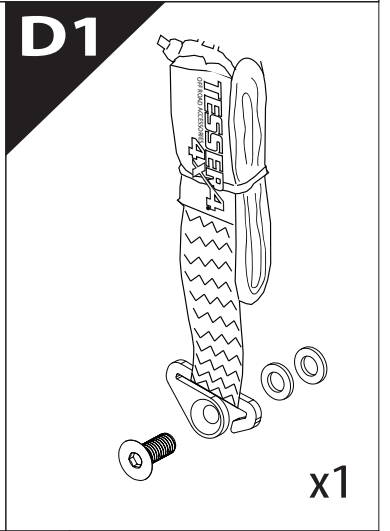
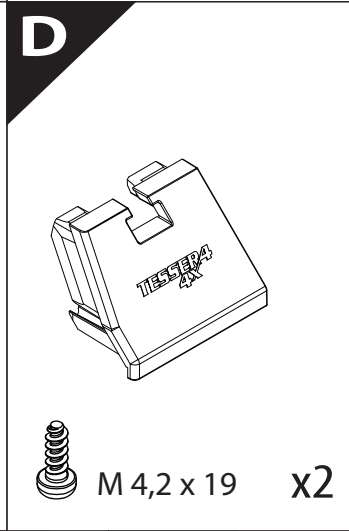
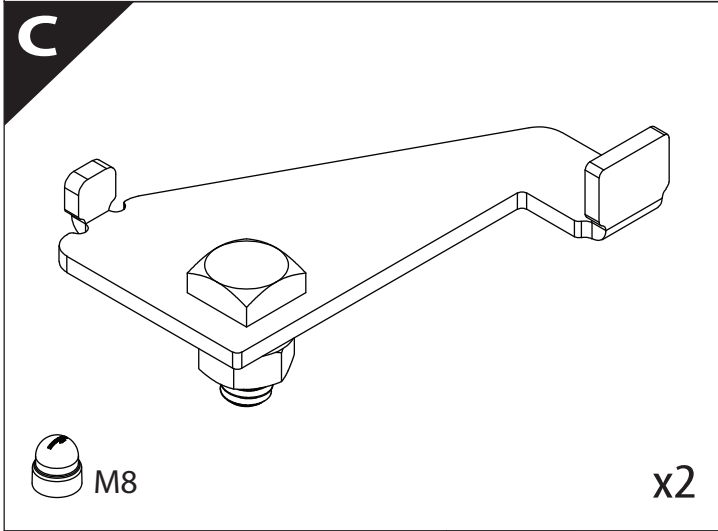
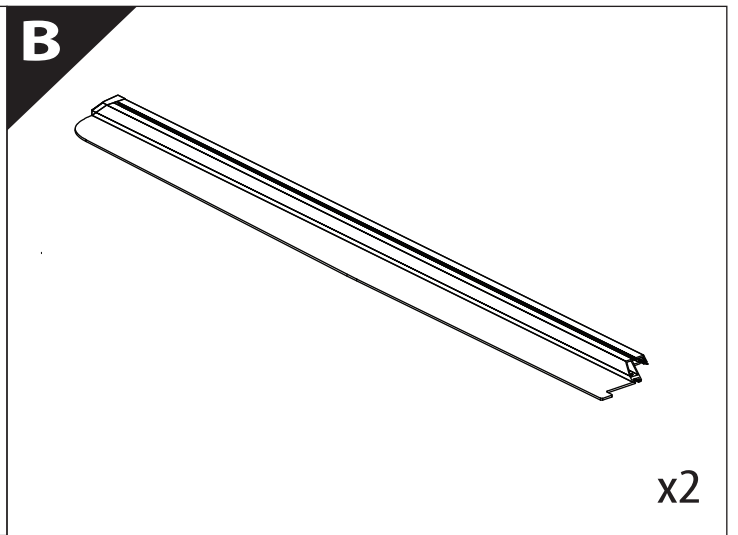
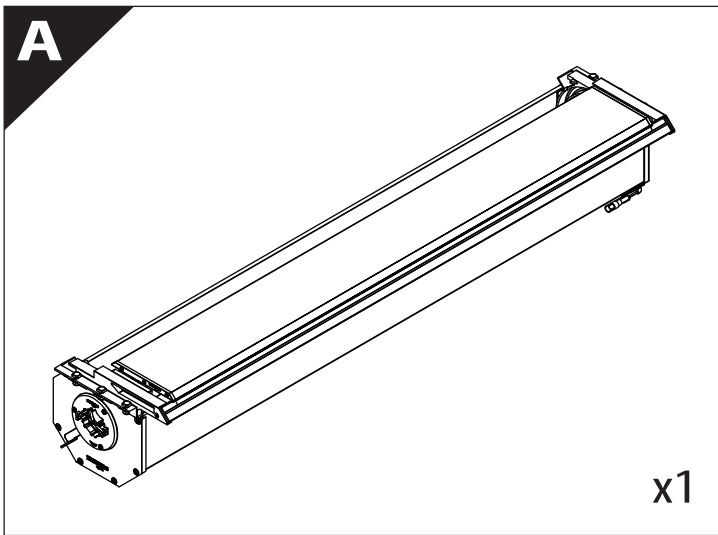
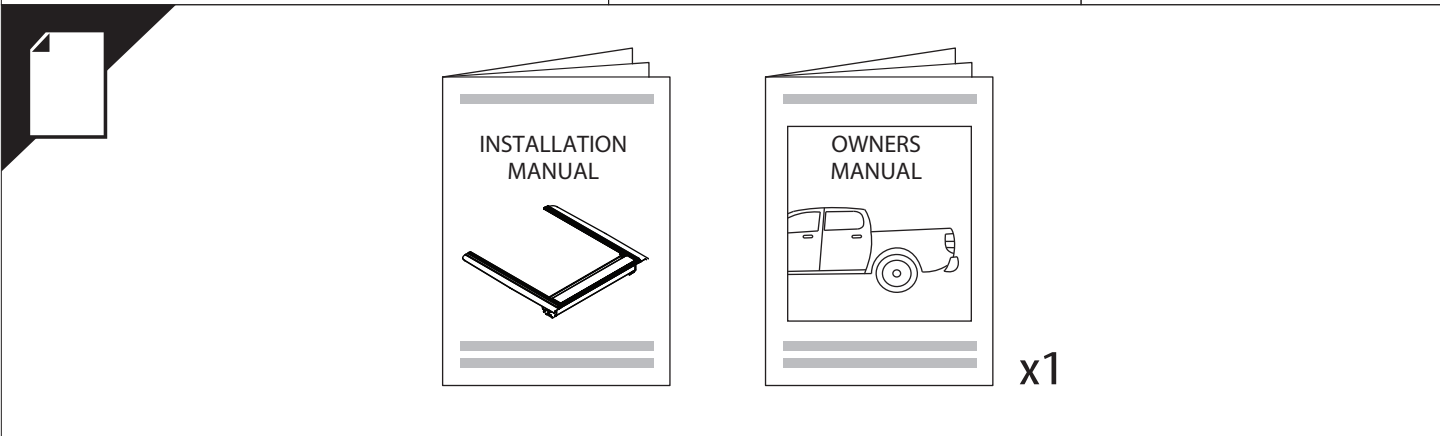
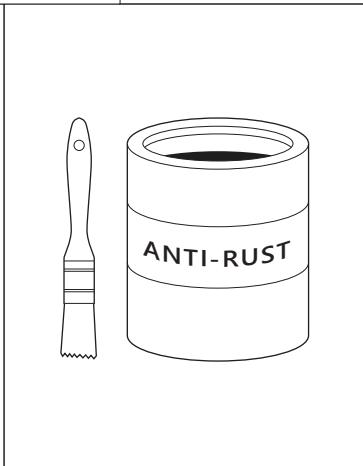
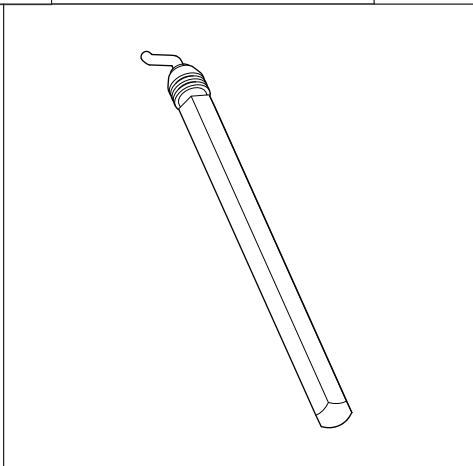
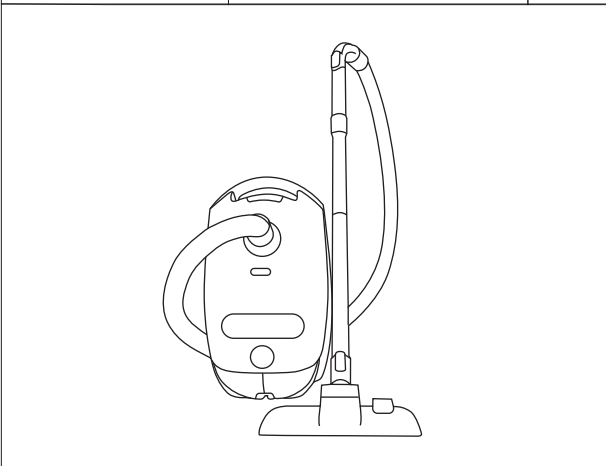
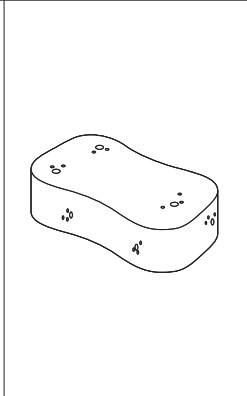
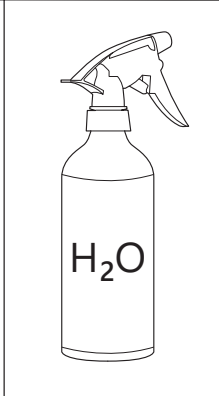
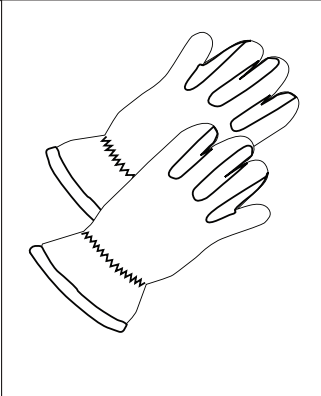
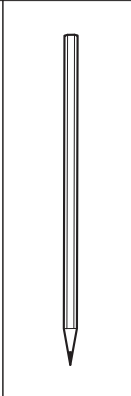
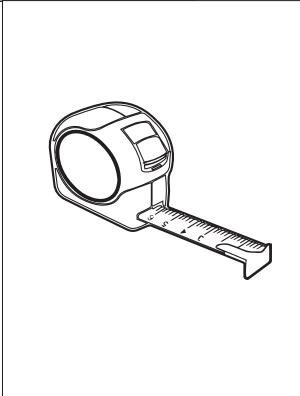
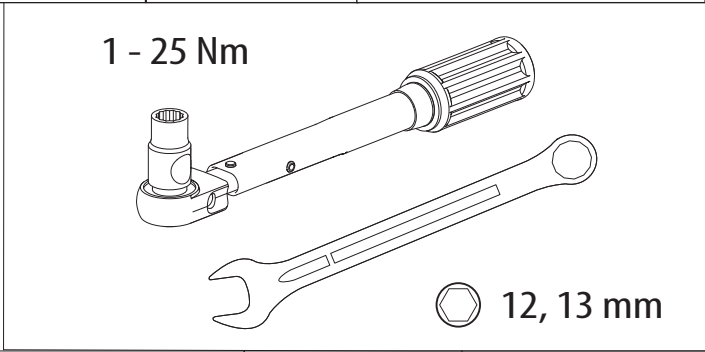
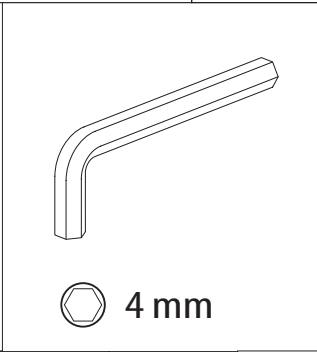
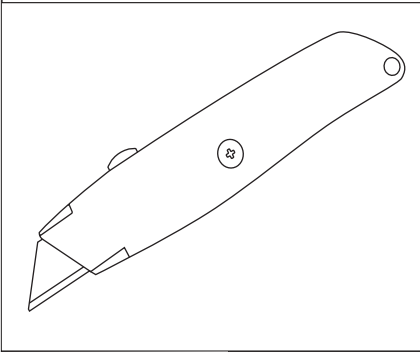
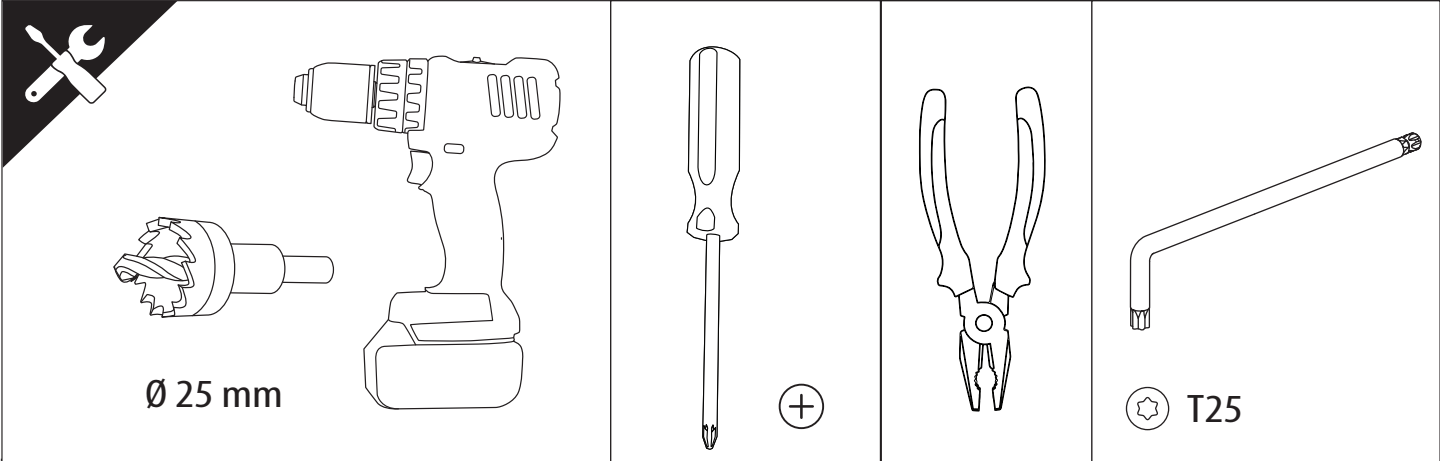




Installation Manual

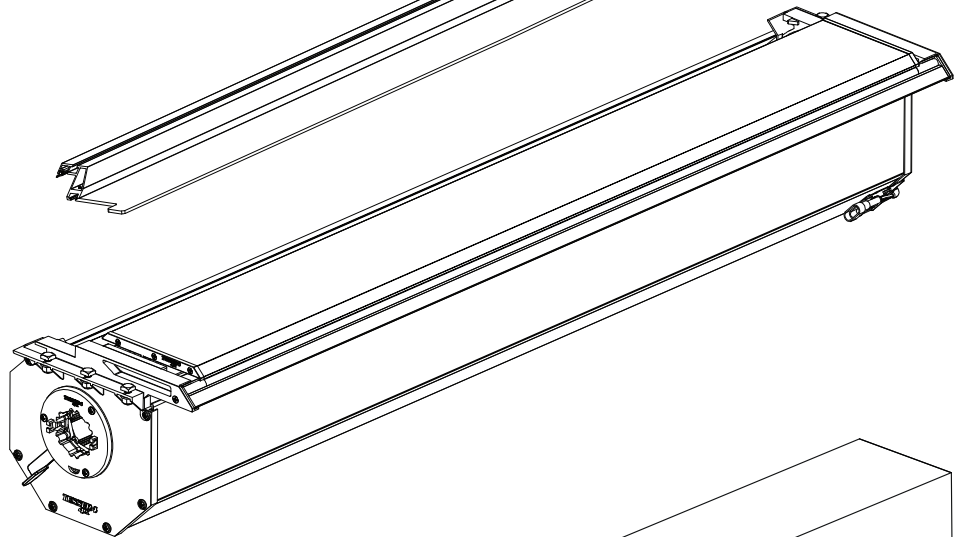
| PART NUMBER(S) | Model Year |
|---|---|
| TESS 1424 ROLL | Dodge Ram 1500 2009 -> 2018 & 2019+ |
| TESS 14241 ROLL | Dodge Ram 1500 2002 -> 2008 & 2009 -> 2018 & 2019+ |
| Cab(s) | Installation Time / Weight |
| Short Bed 5.7" & Standard Bed 6.4" | 40-60 minutes / 53-57 kg |







B



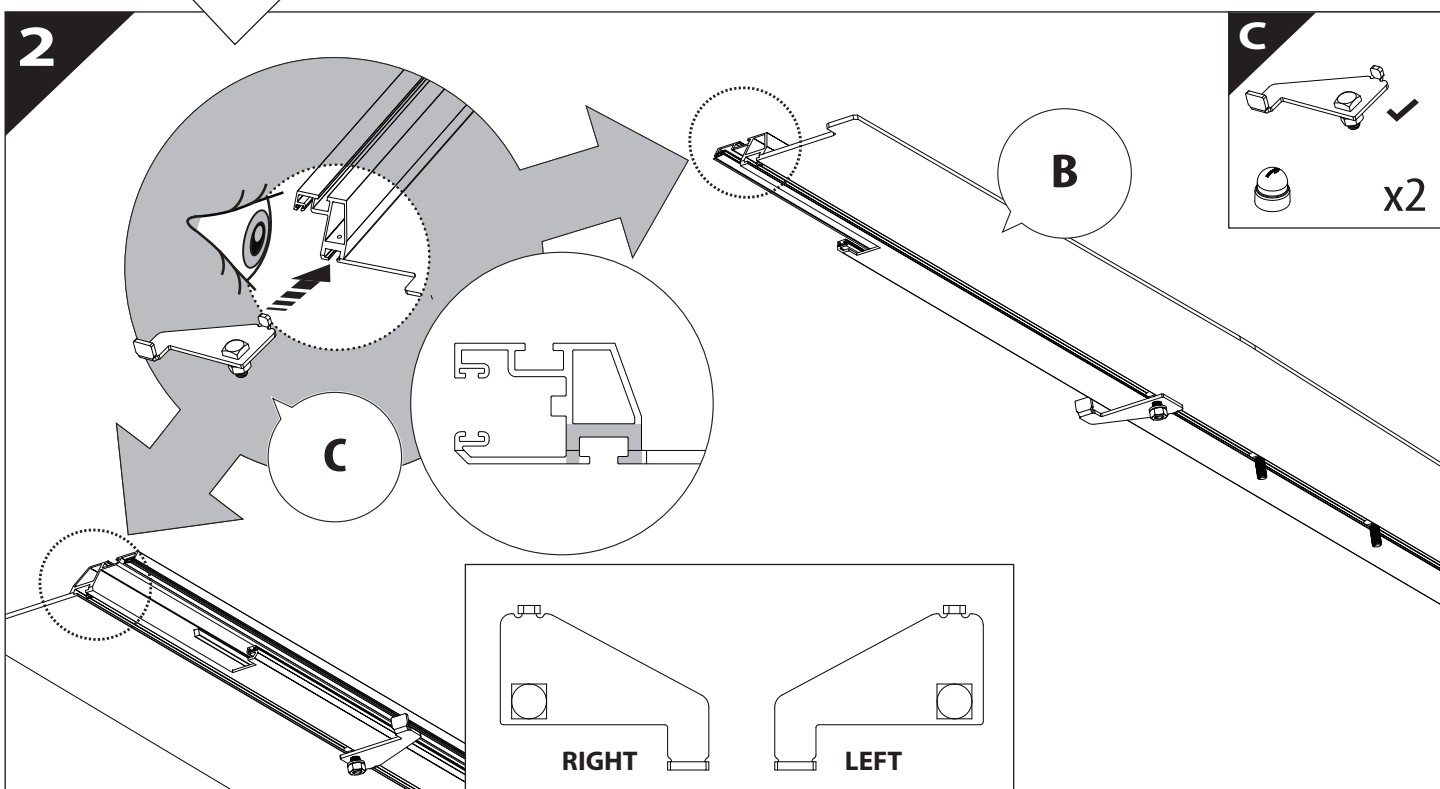
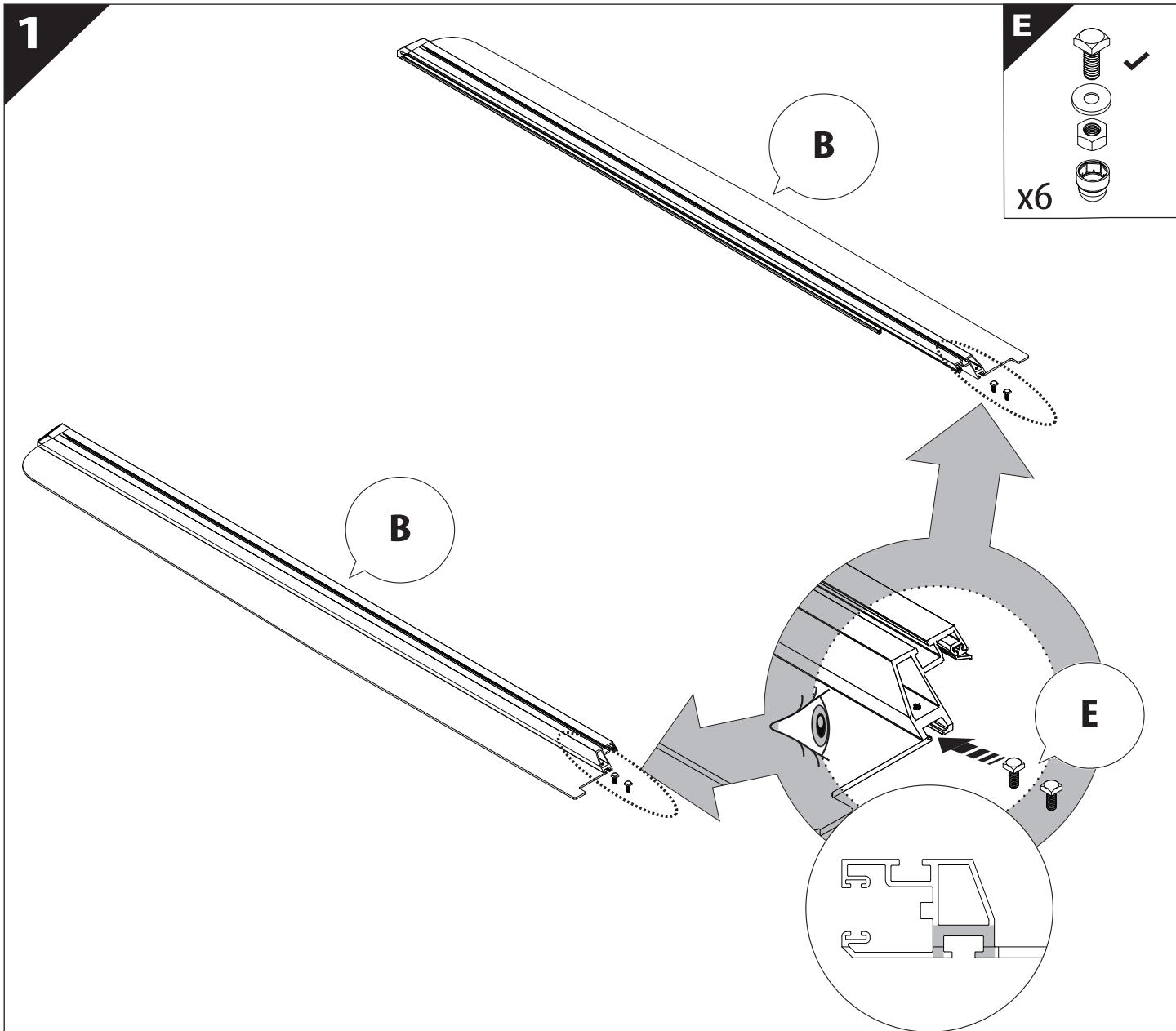
A

KITS



L



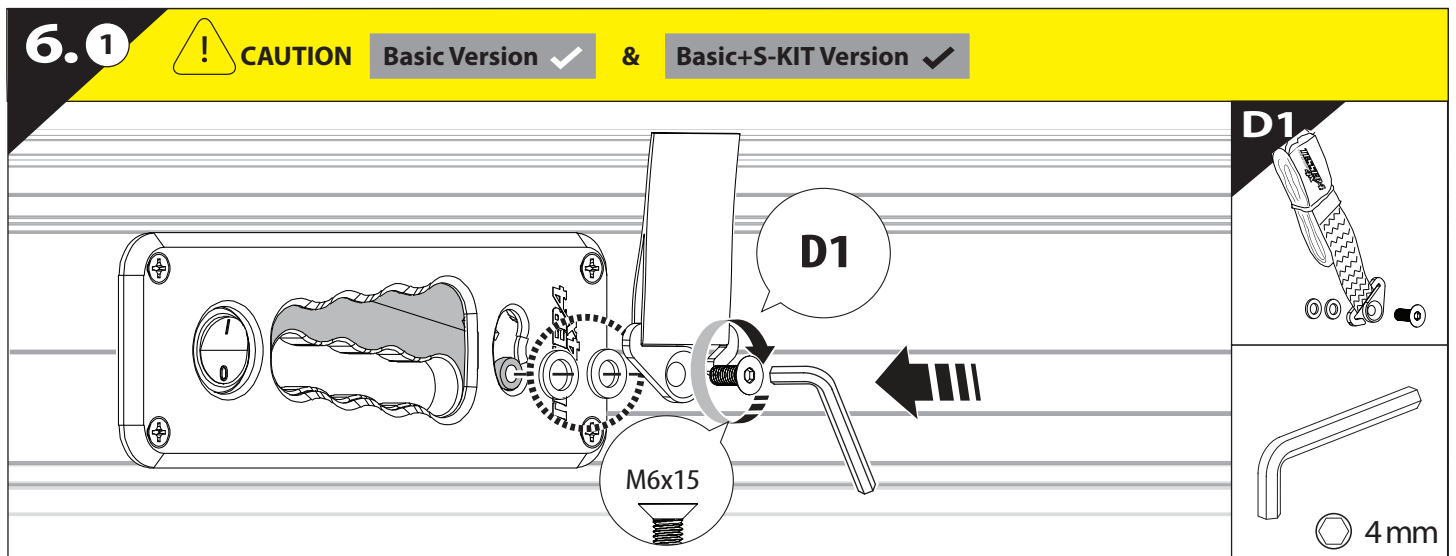
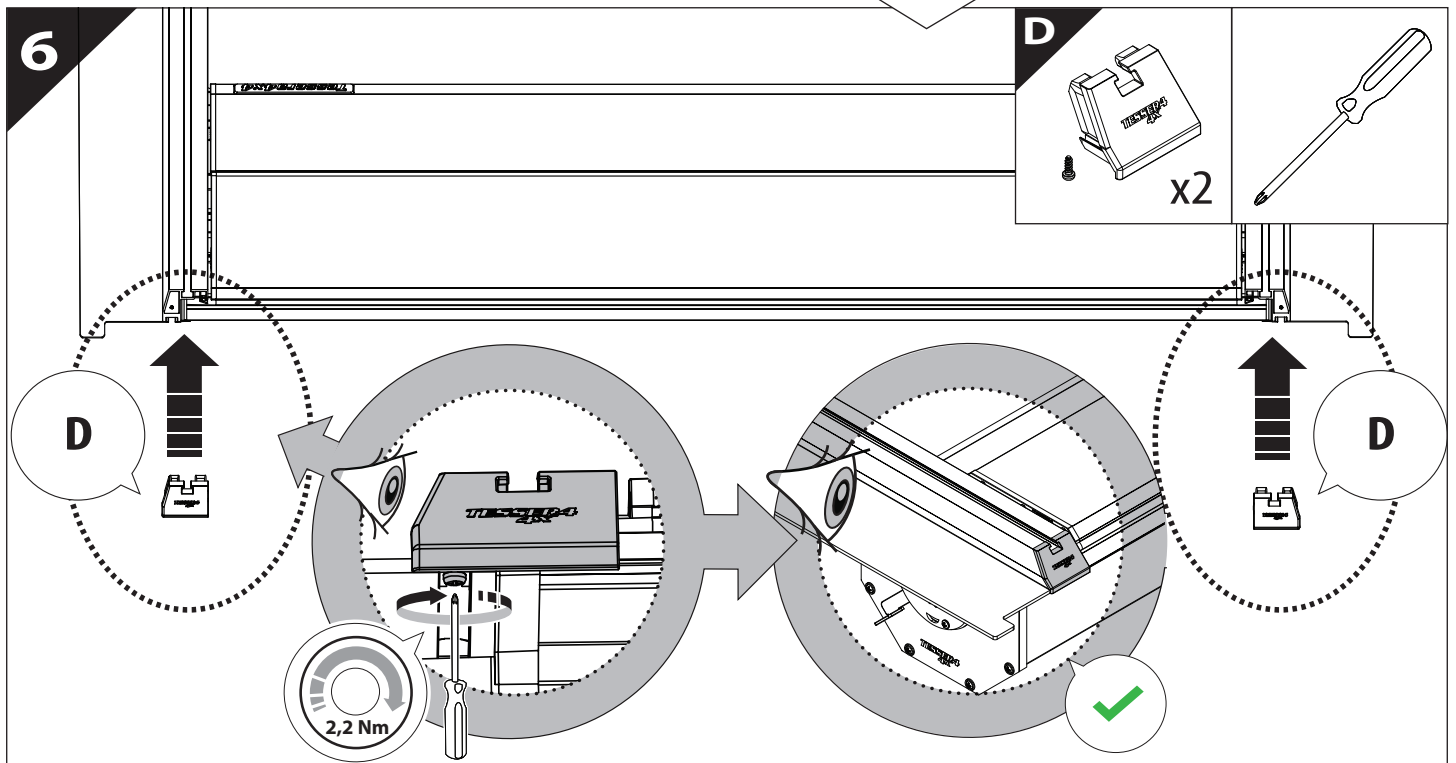
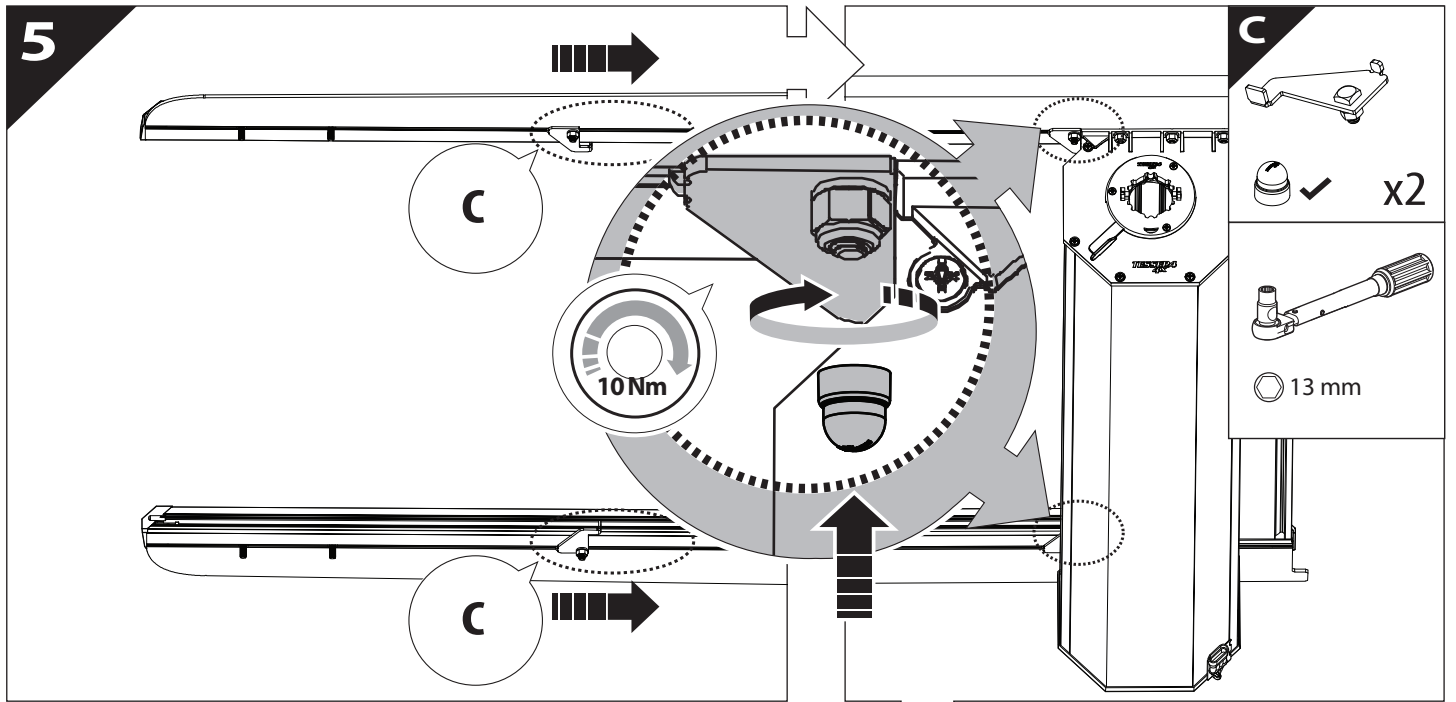


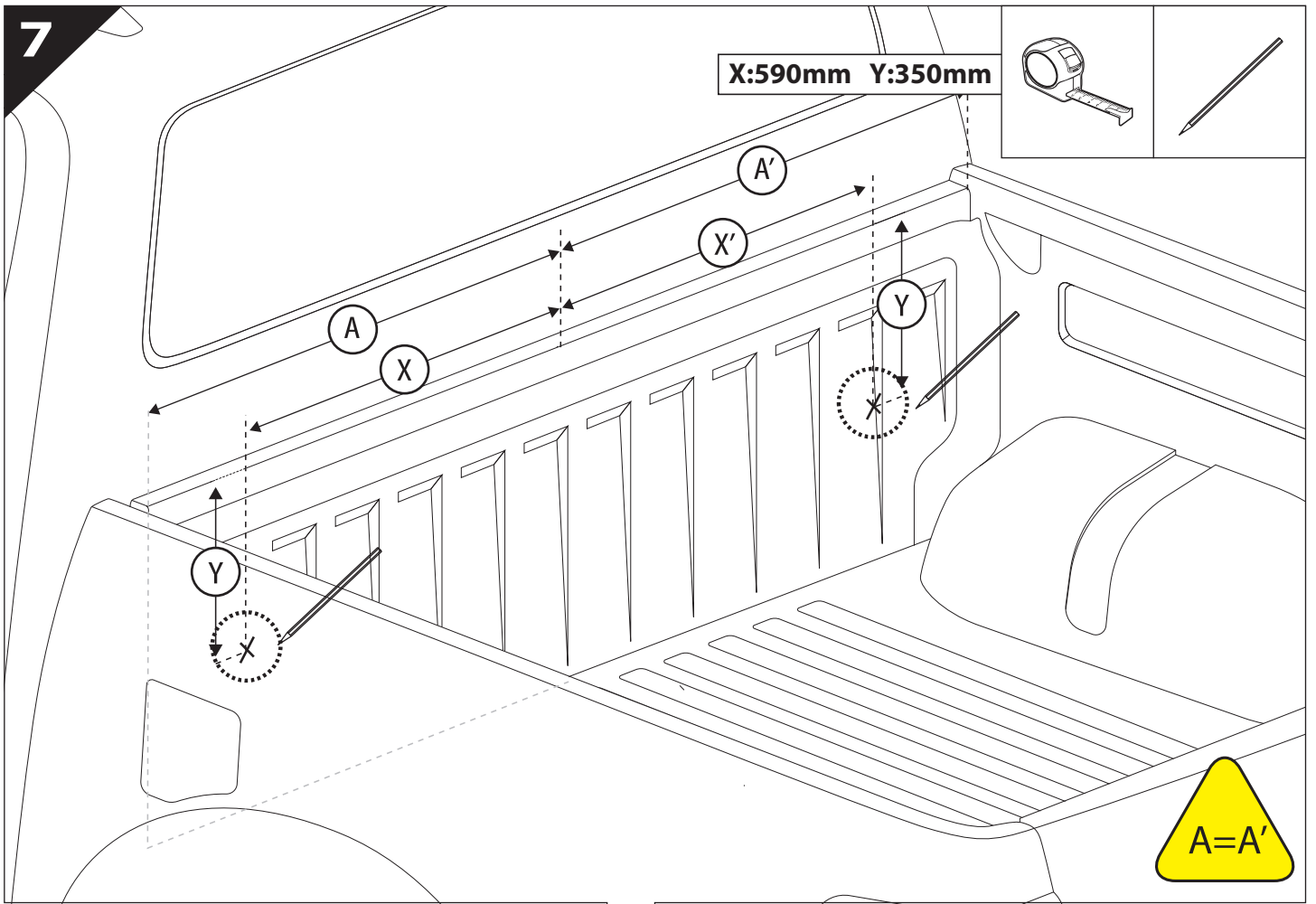
3



4



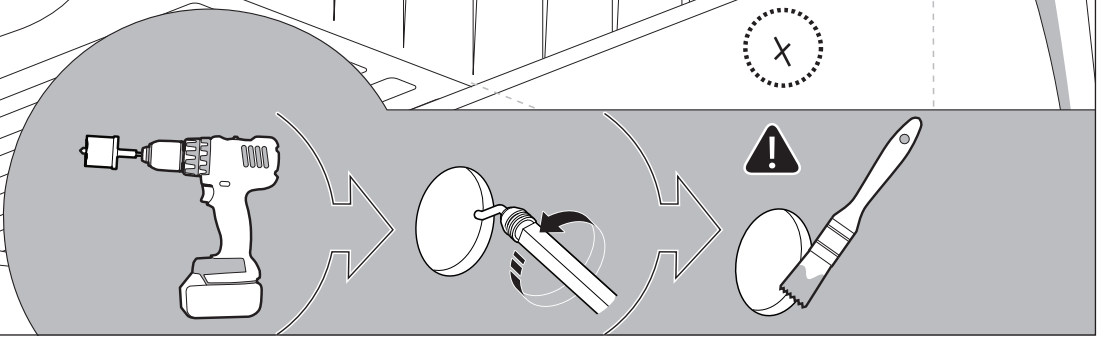
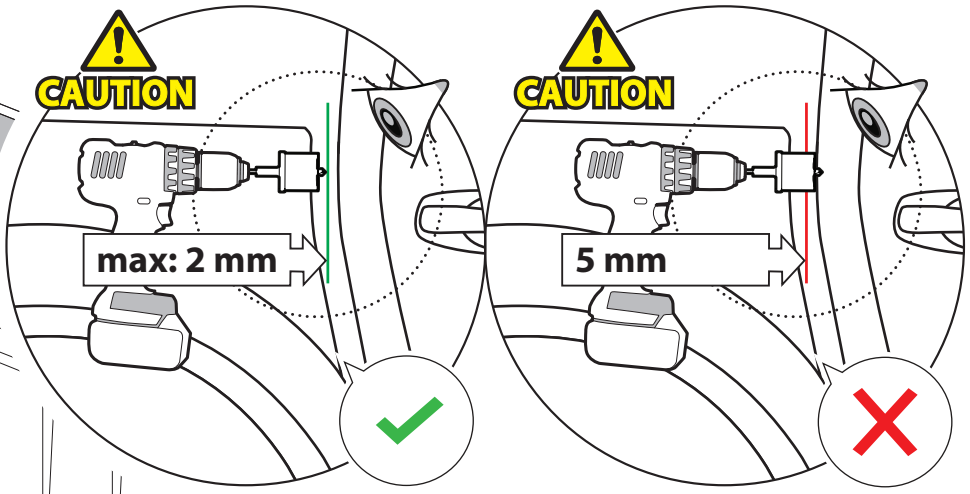




9

Ø 25 mm

Rust Protection



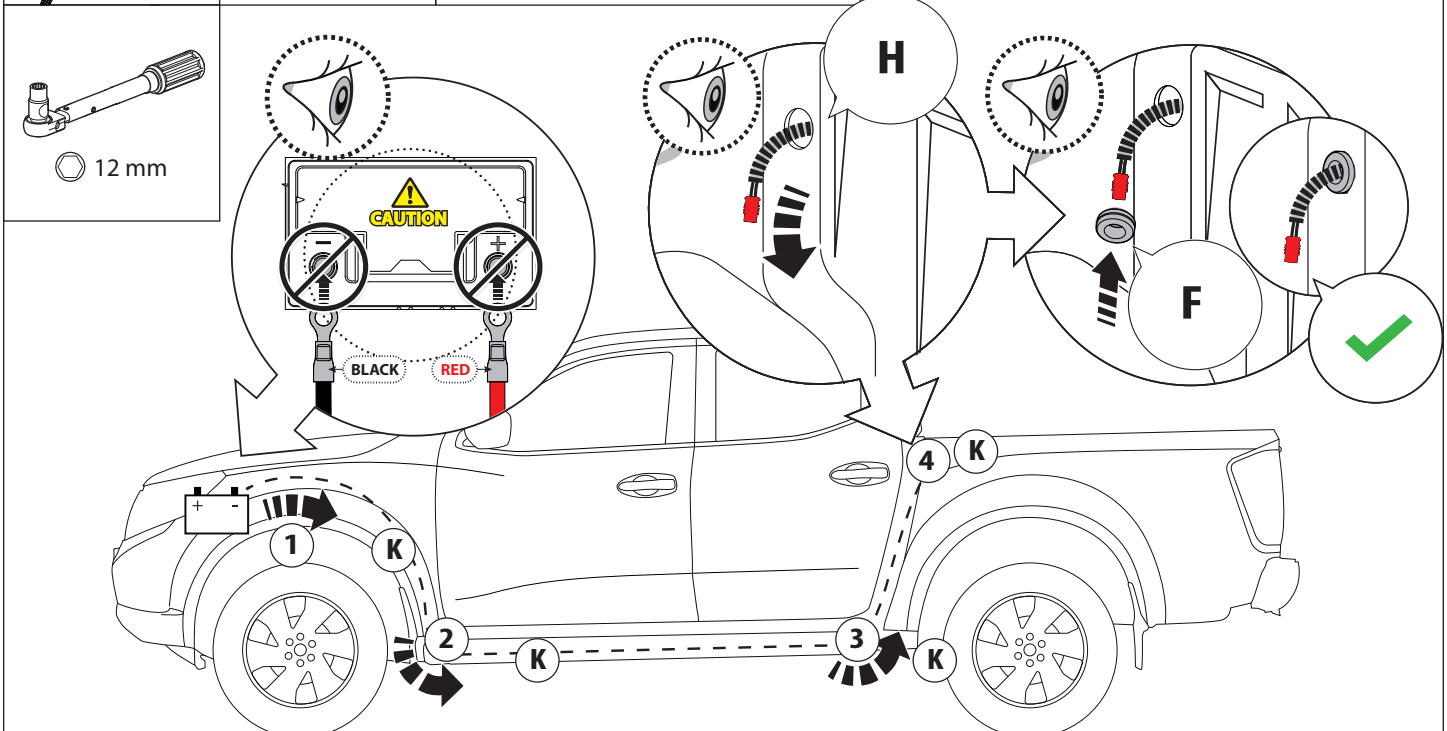
10

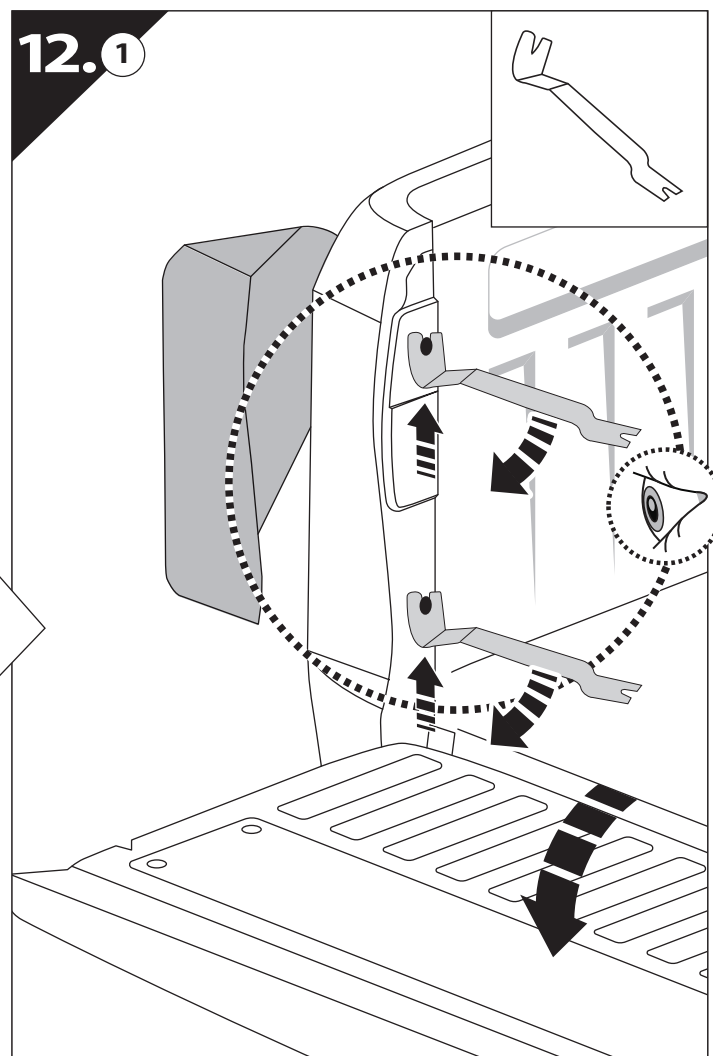
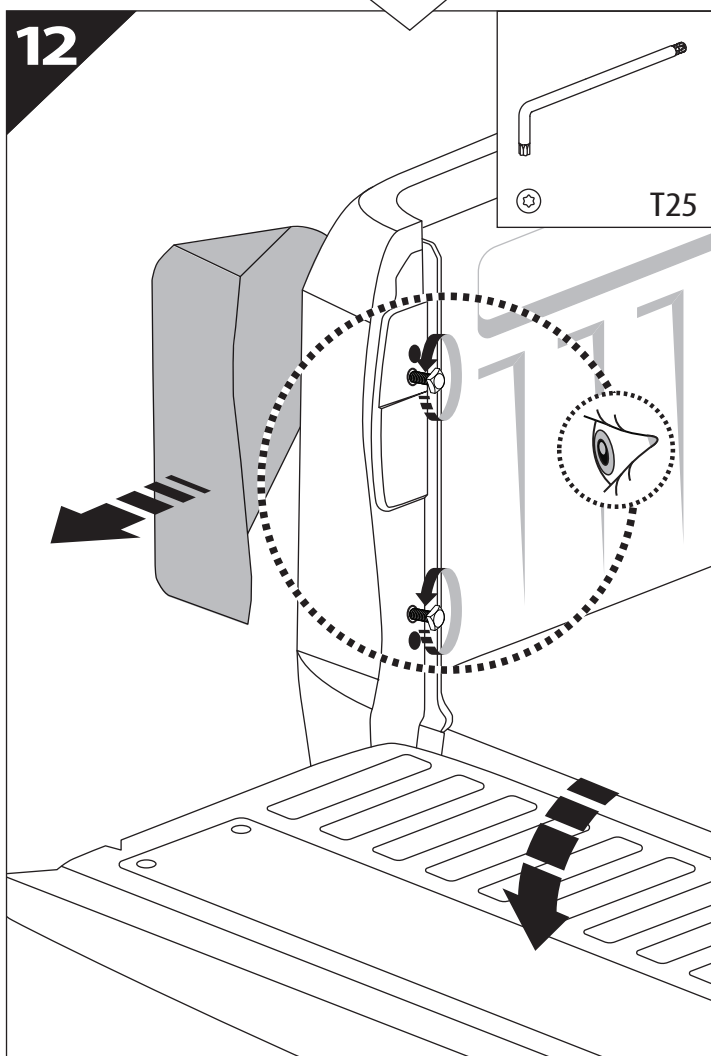
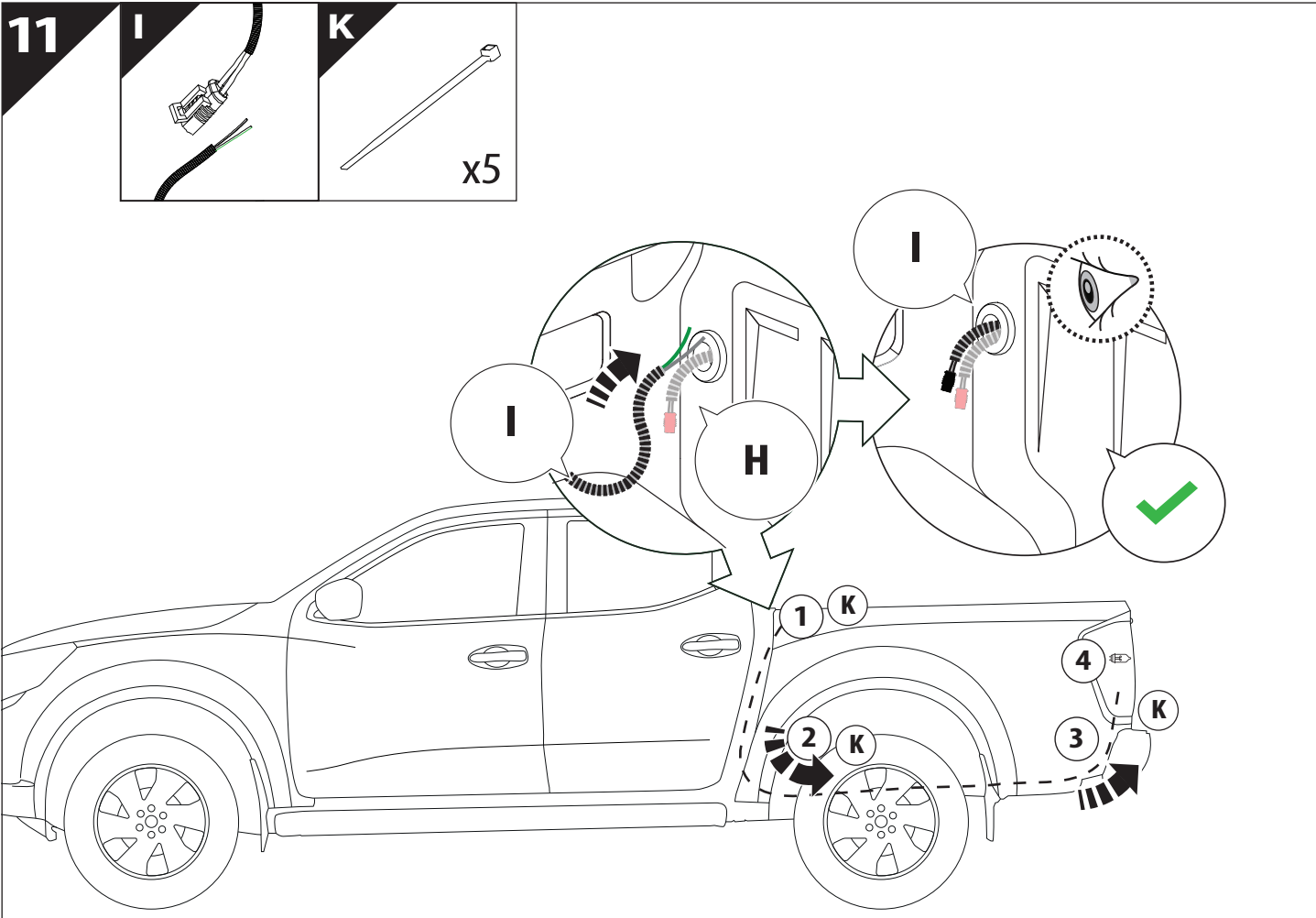
Only to be installed by authorized personnel

H x1

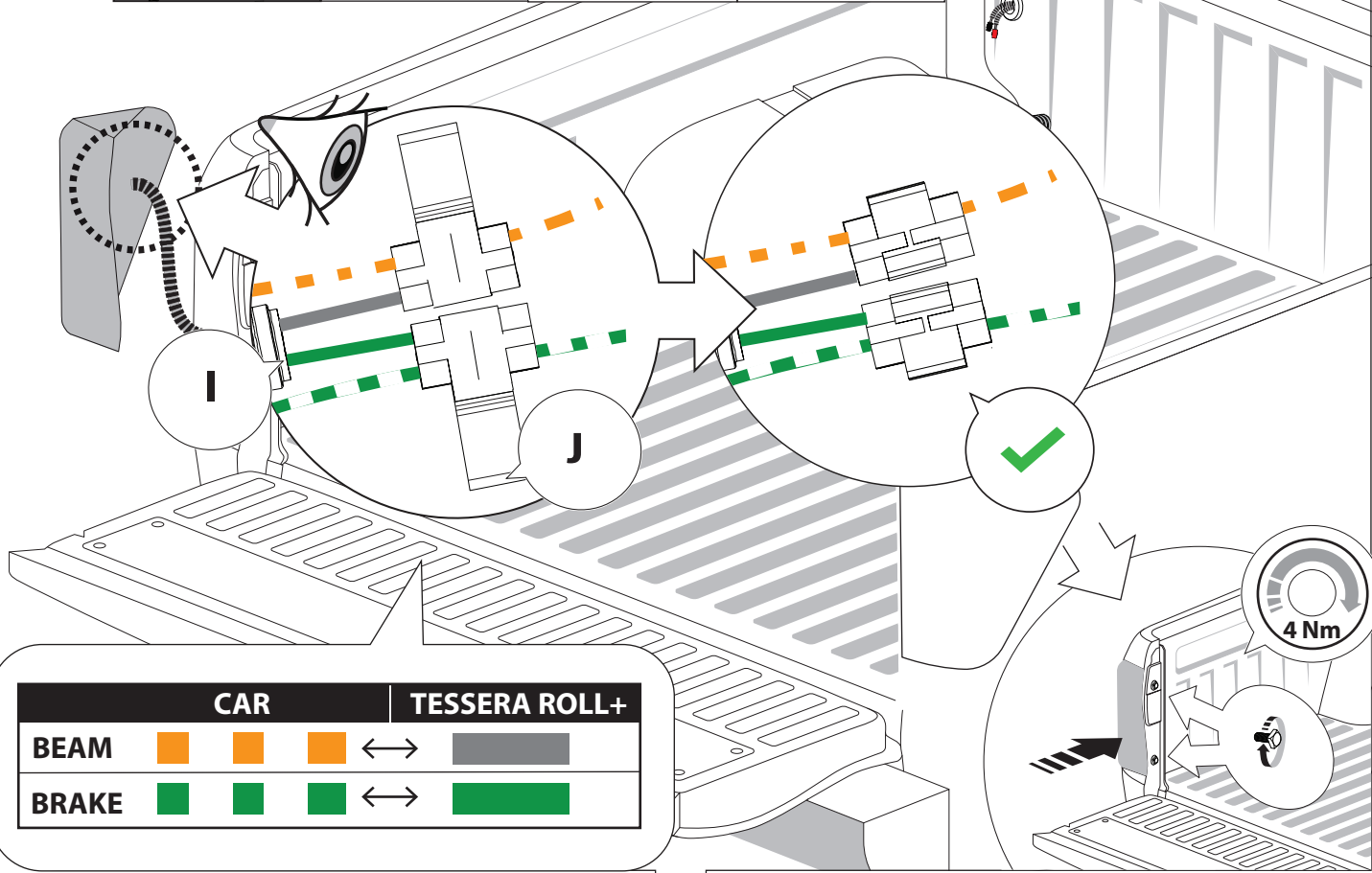
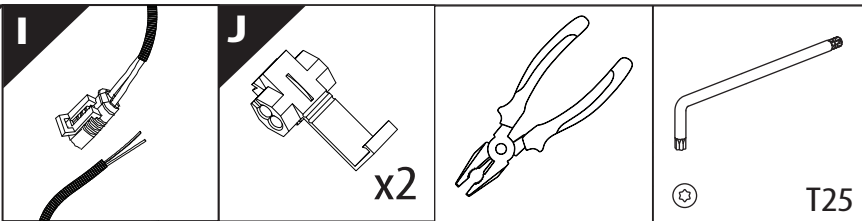
K x10

F x1

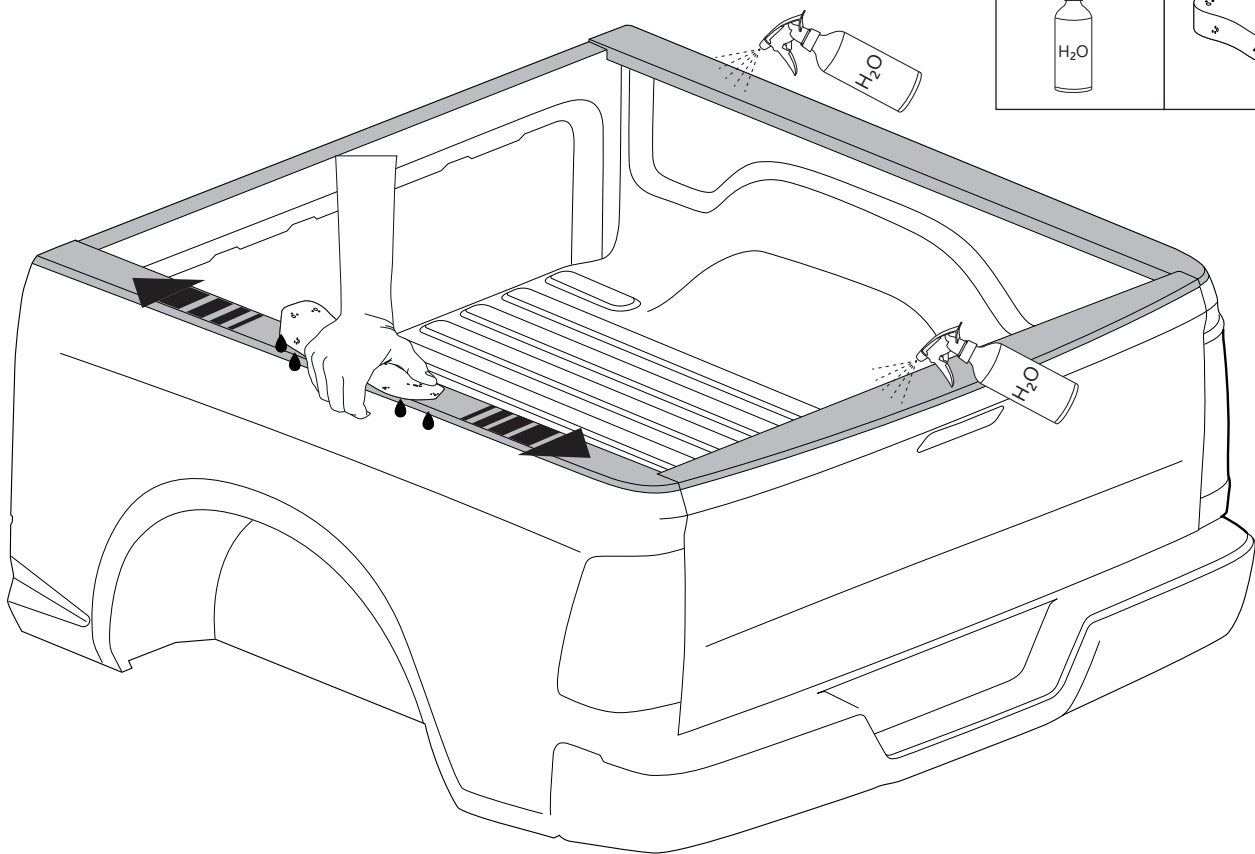
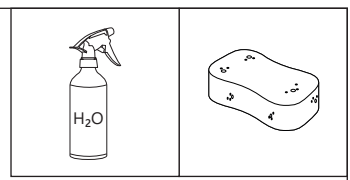


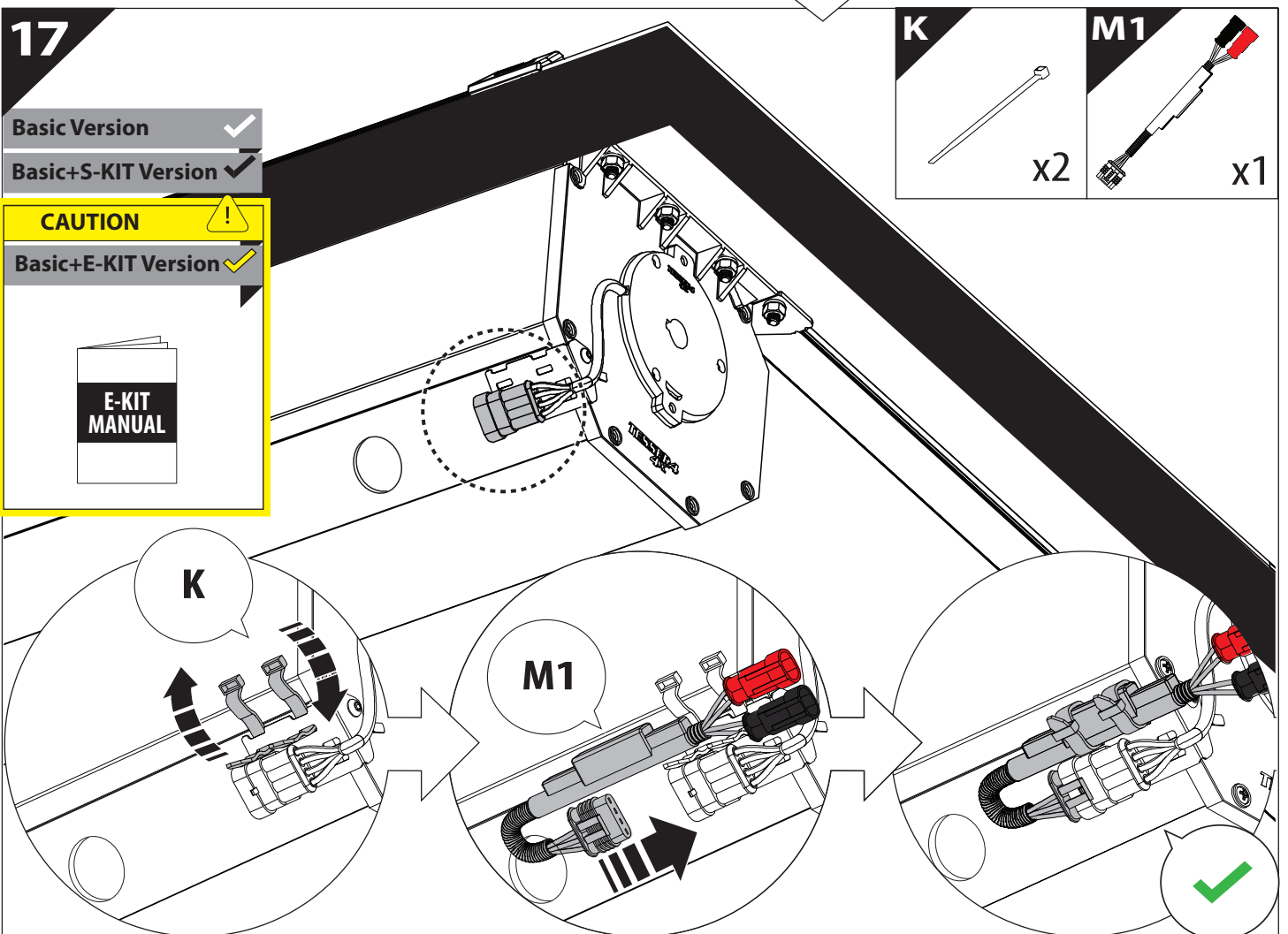
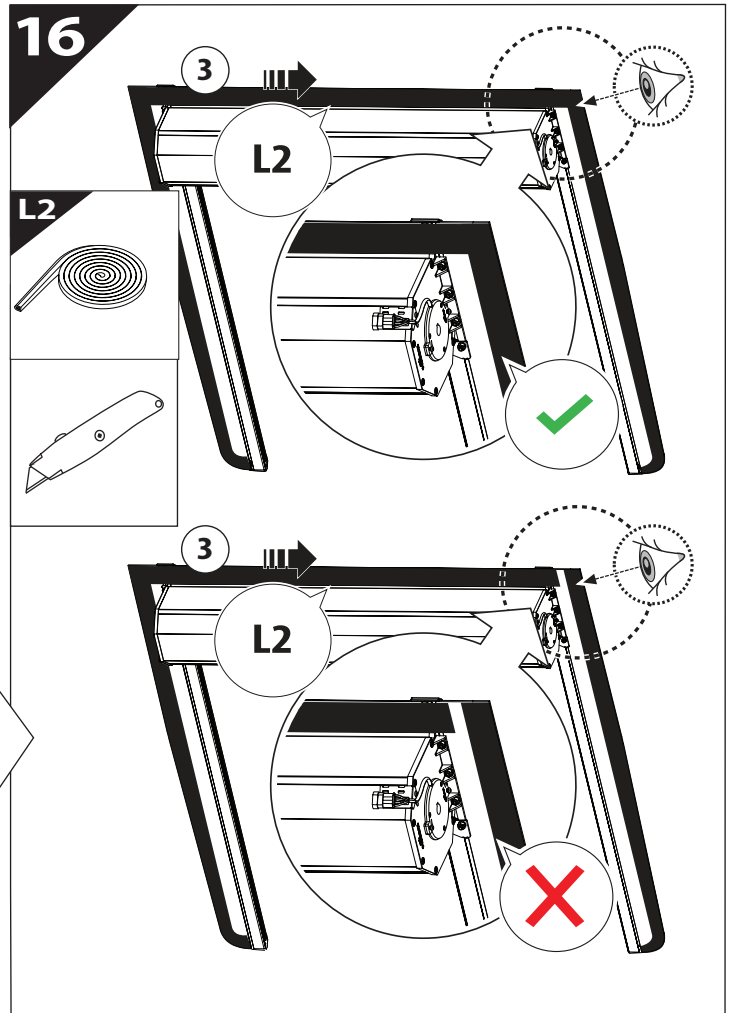
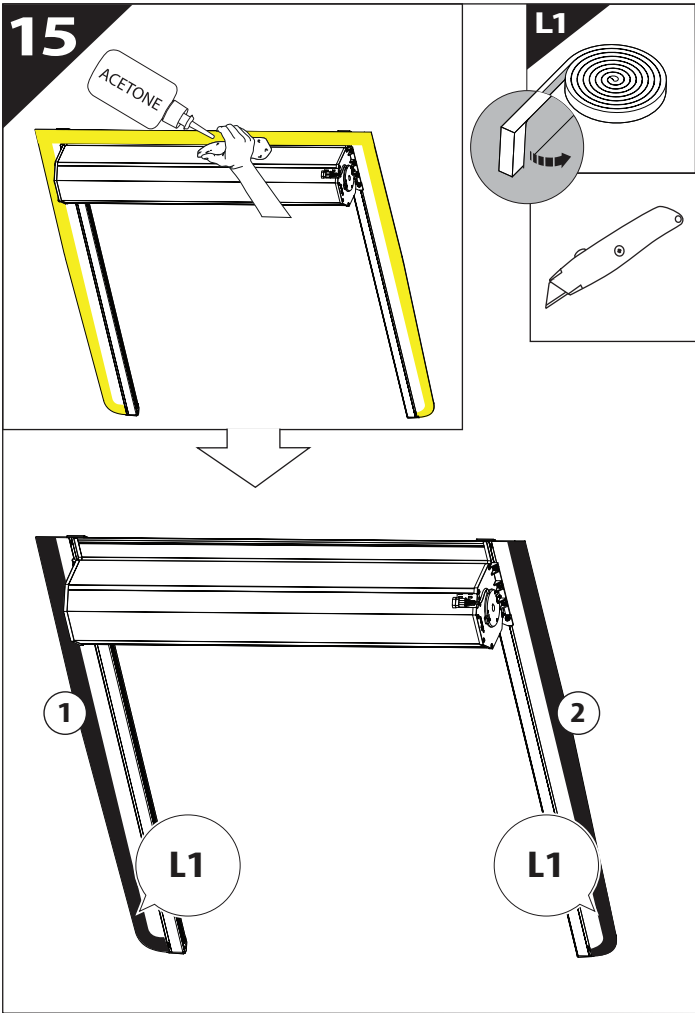


13



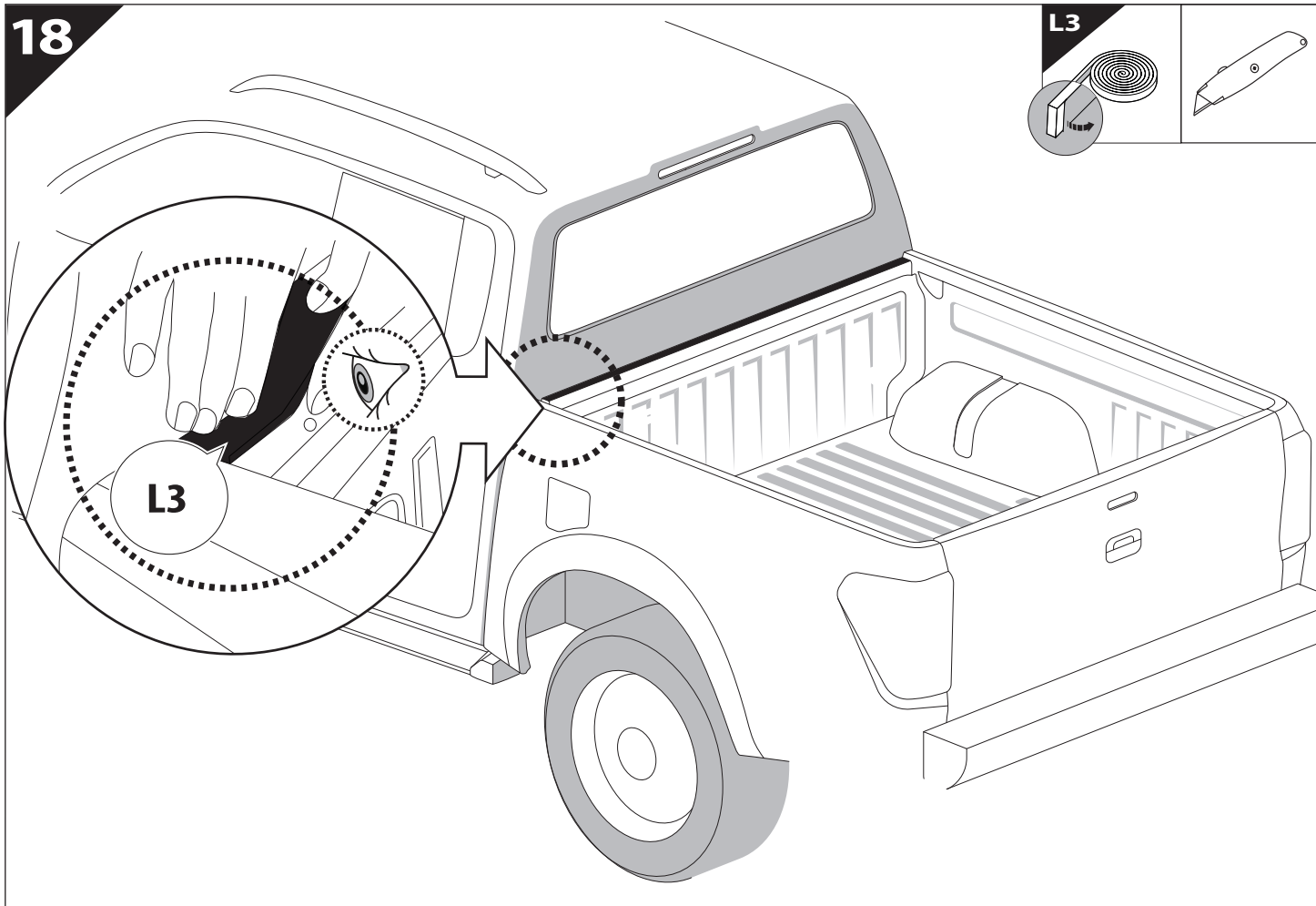
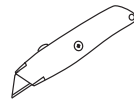
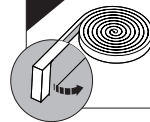
14

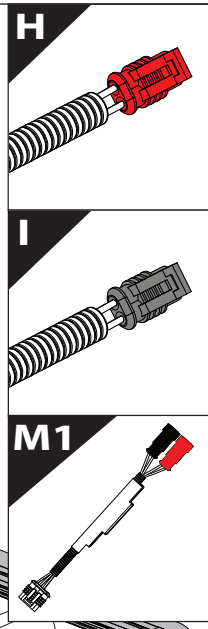
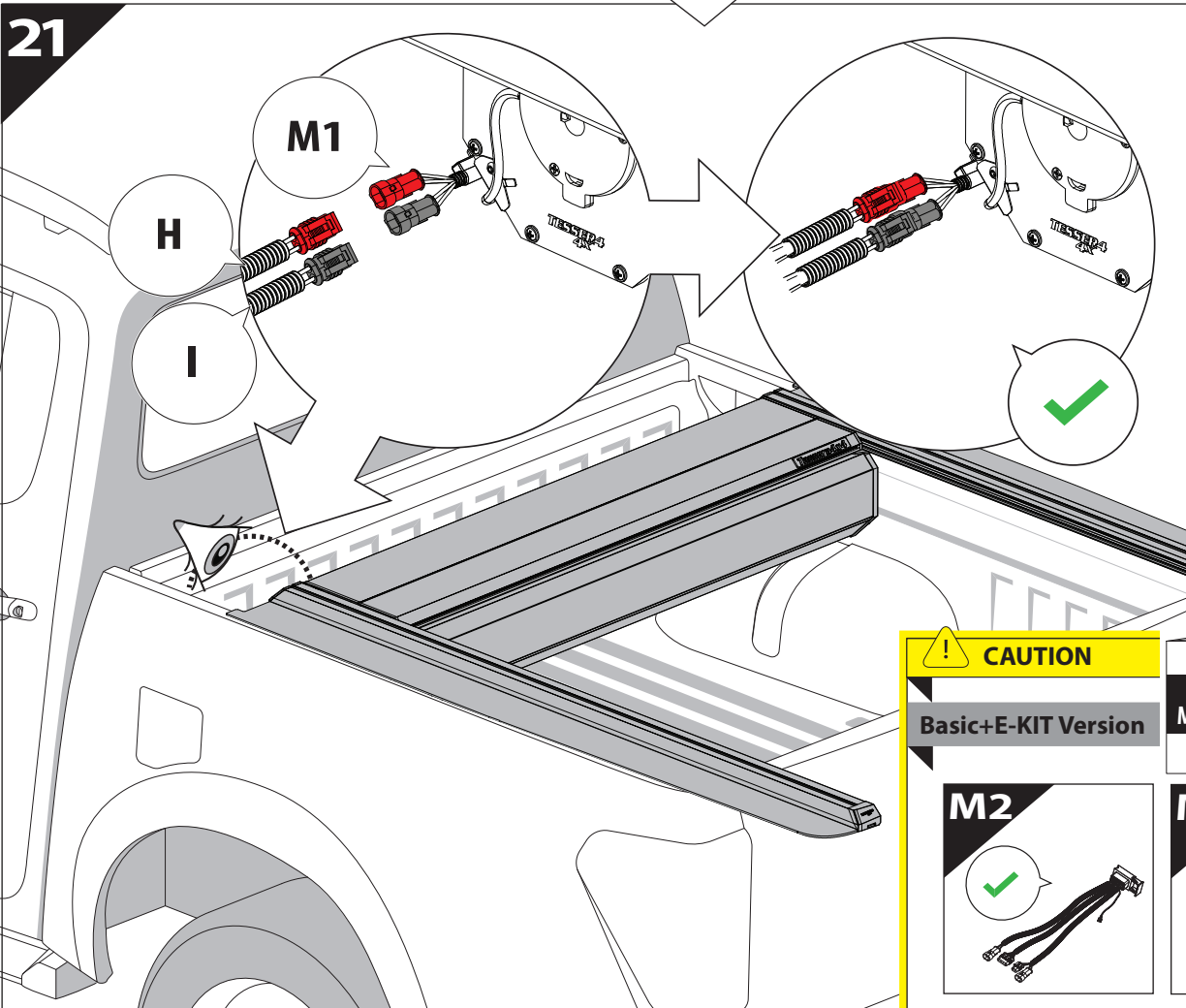
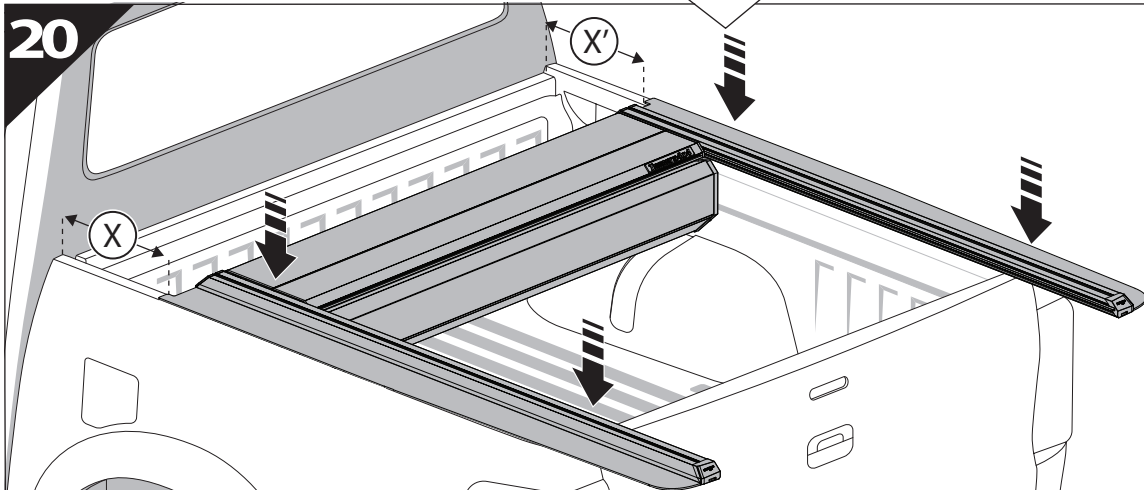
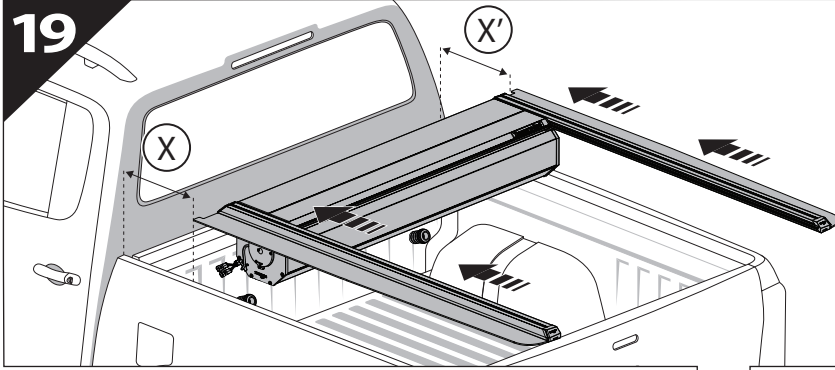




18

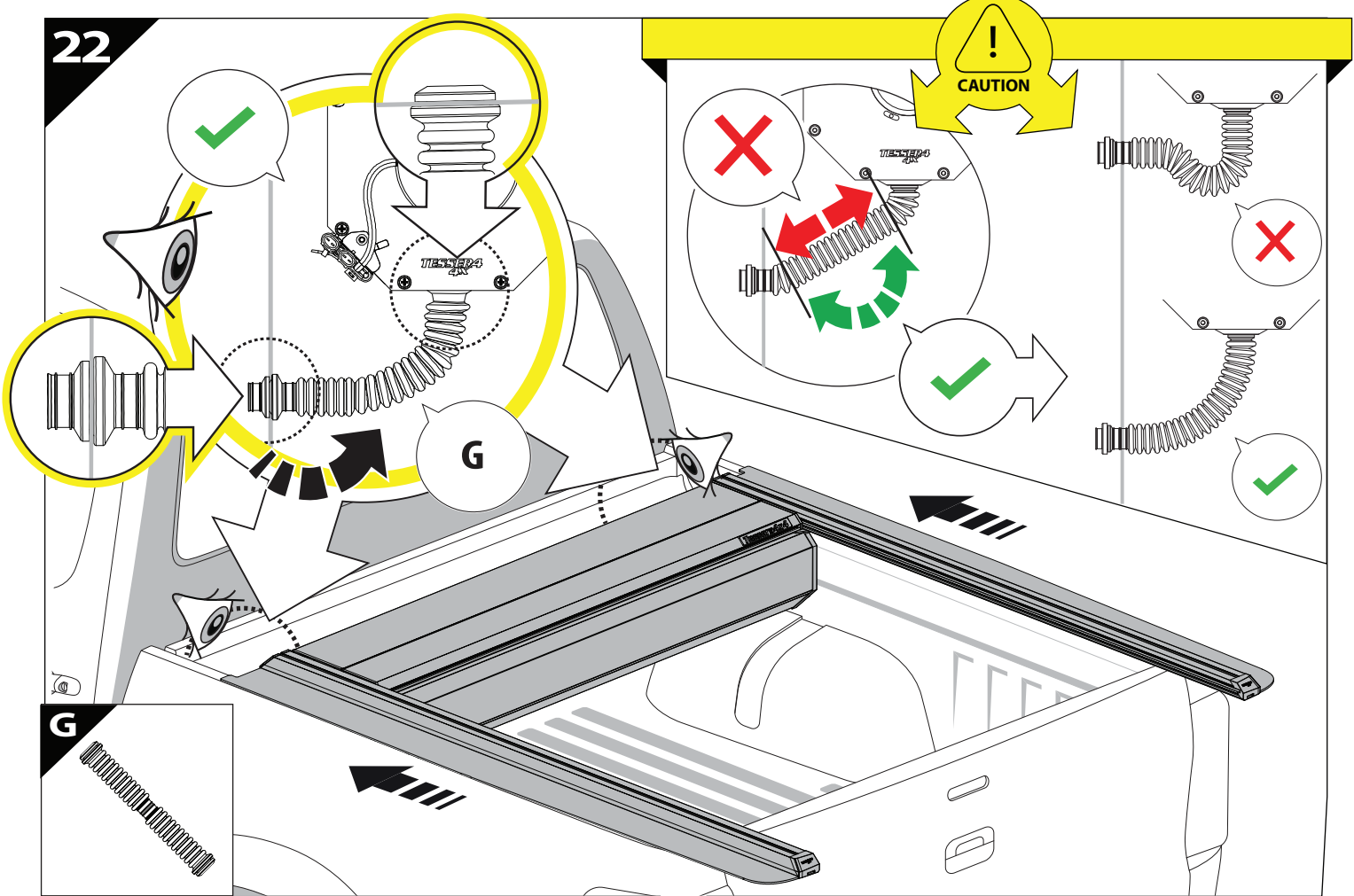
L3





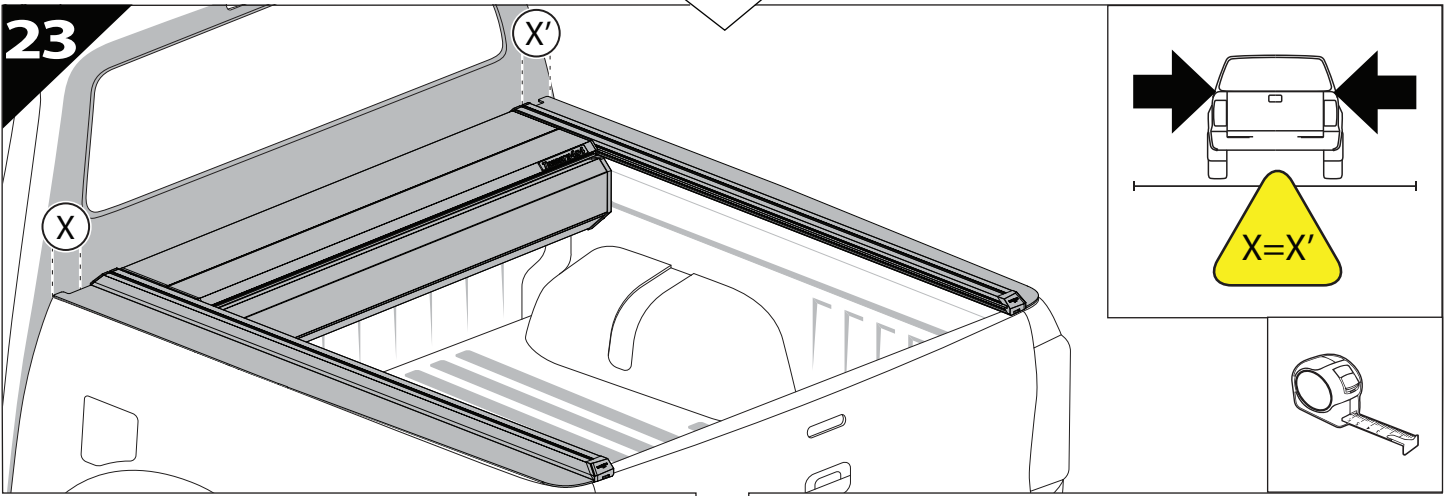
| | |
|---------------------|-------------|
| CAUTION | |
| Basic+E-KIT Version | |
| E-KIT MANUAL | |
| M2 ✓ | M1 ✗ |

22

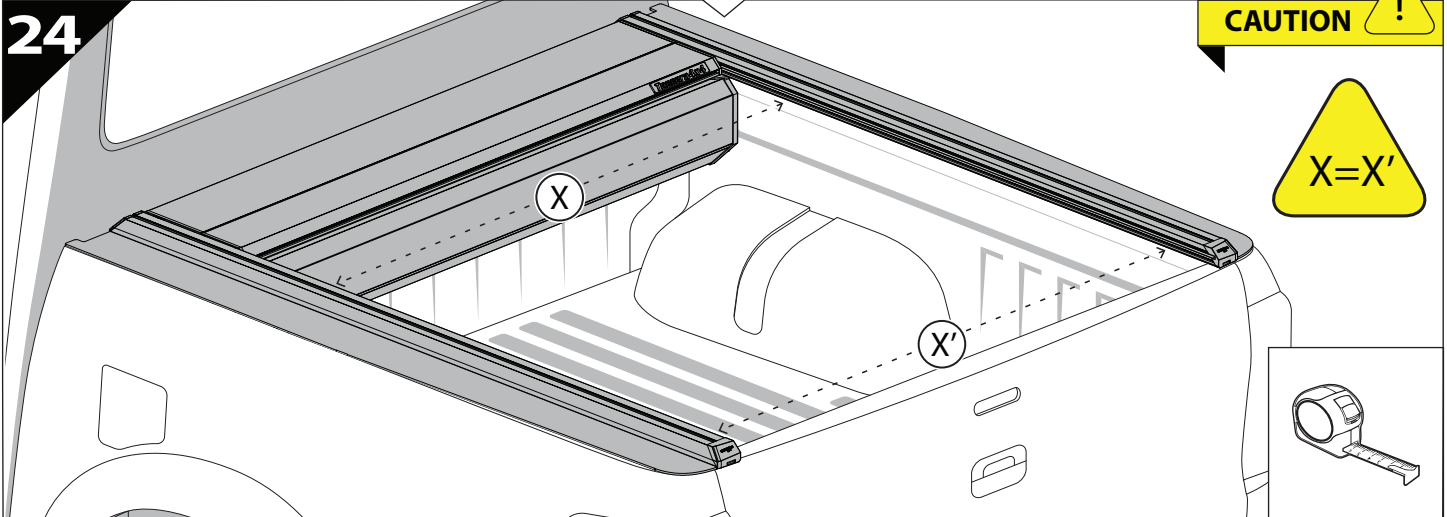


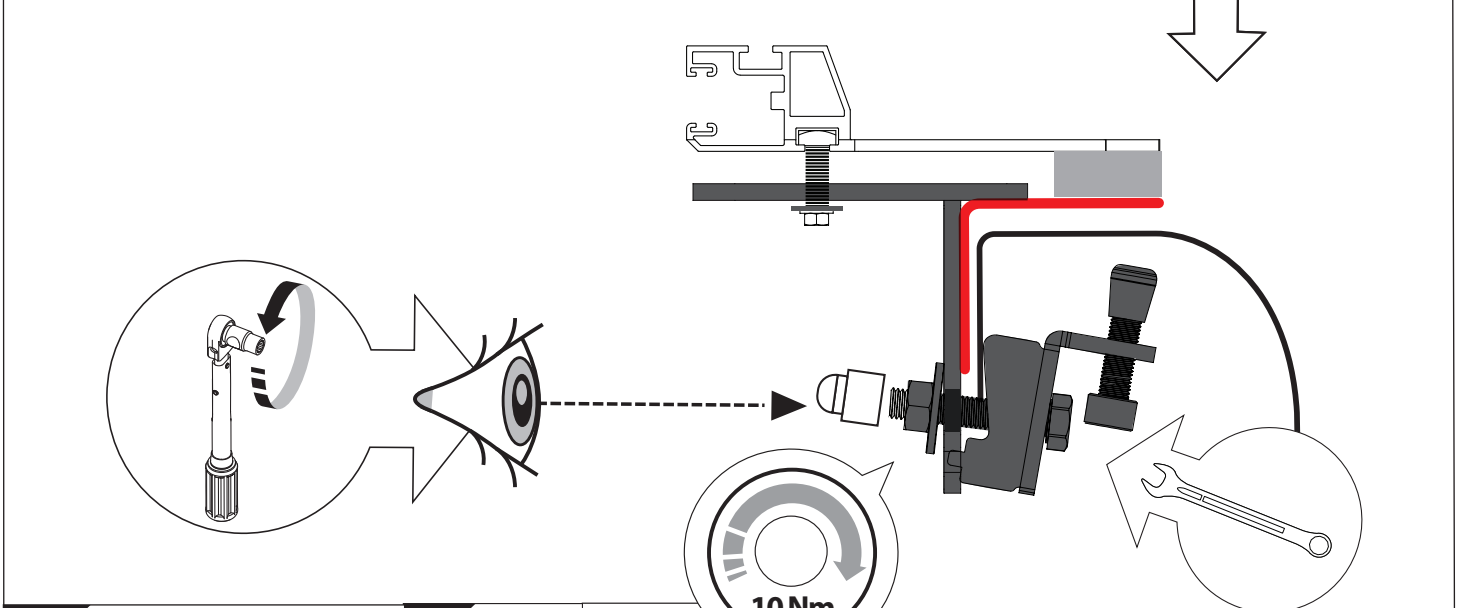
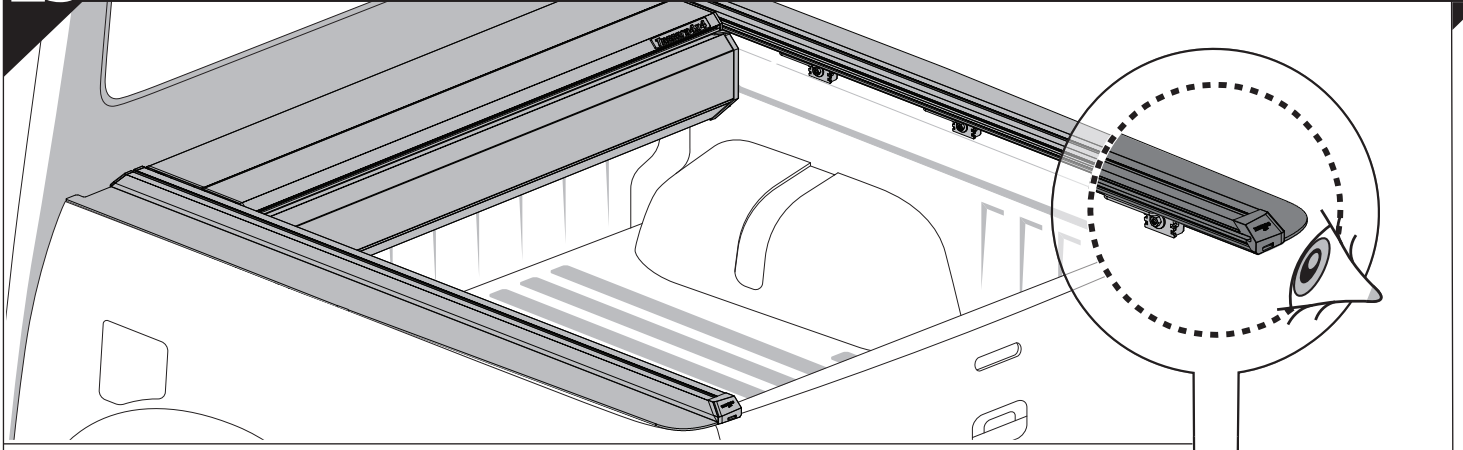
G

23



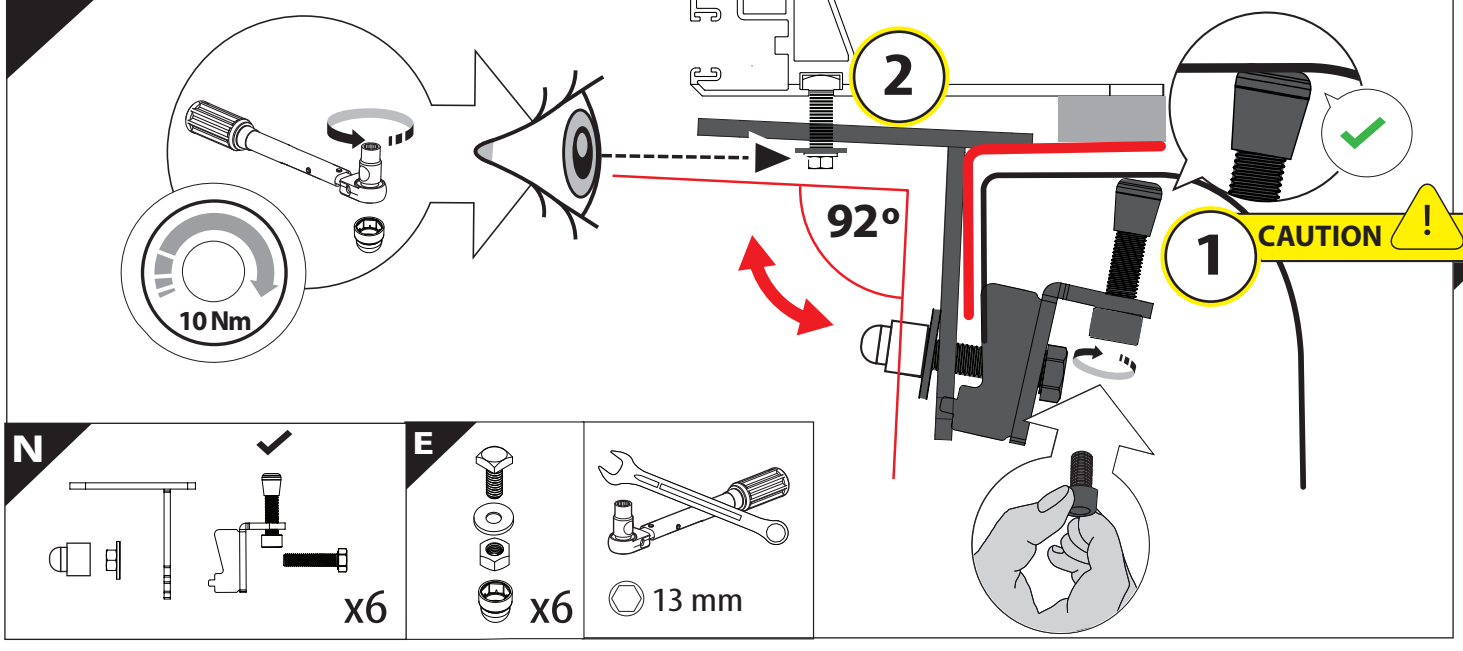
24



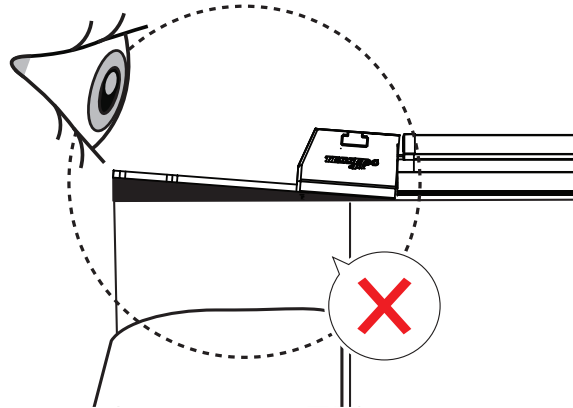
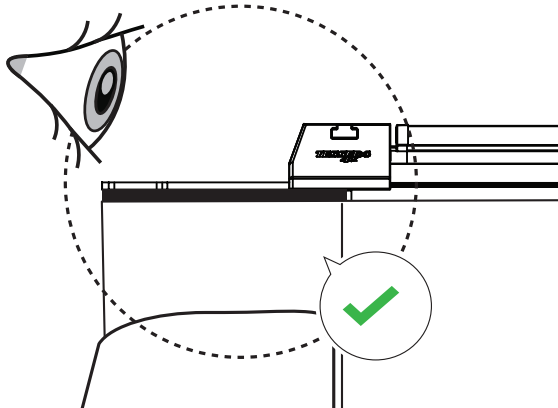
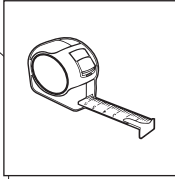
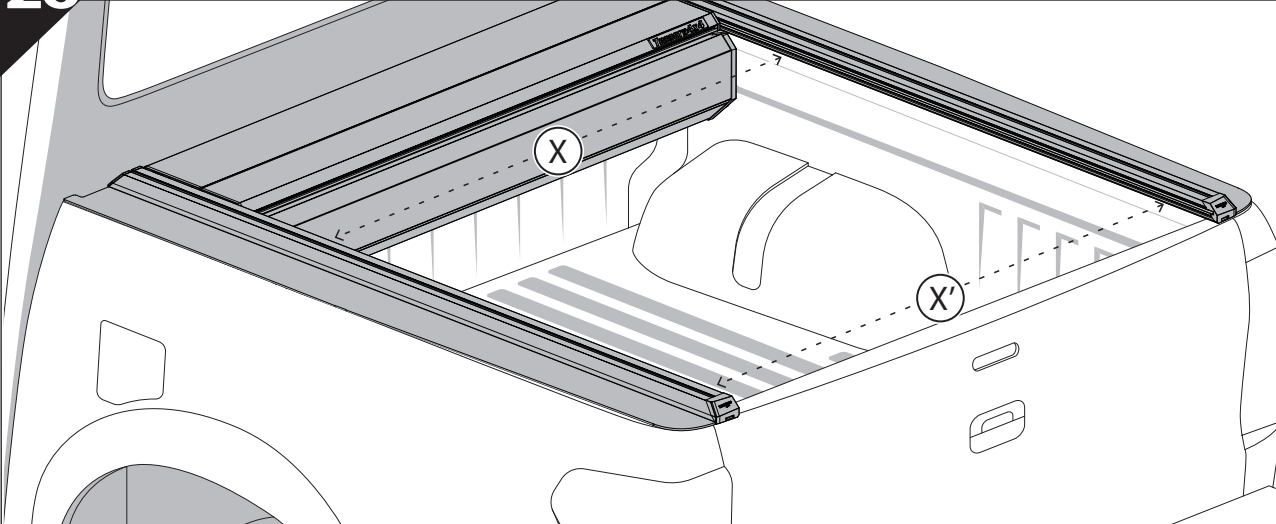


| | | |
|---------------------------|---------------------------|--------------|
| <p>N</p> <p>x6</p> | <p>E</p> <p>x6</p> | <p>13 mm</p> |
|---------------------------|---------------------------|--------------|

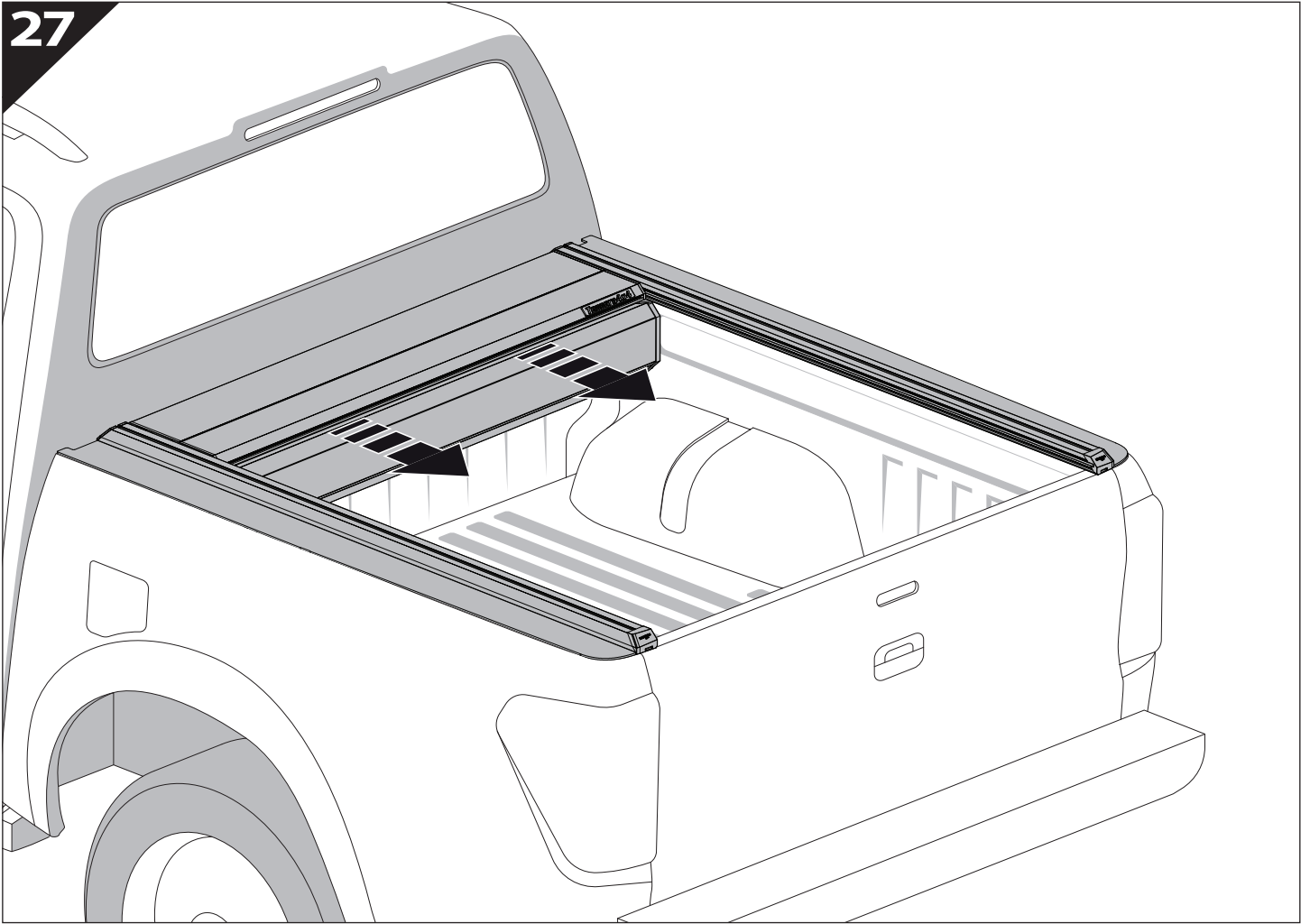
25.1



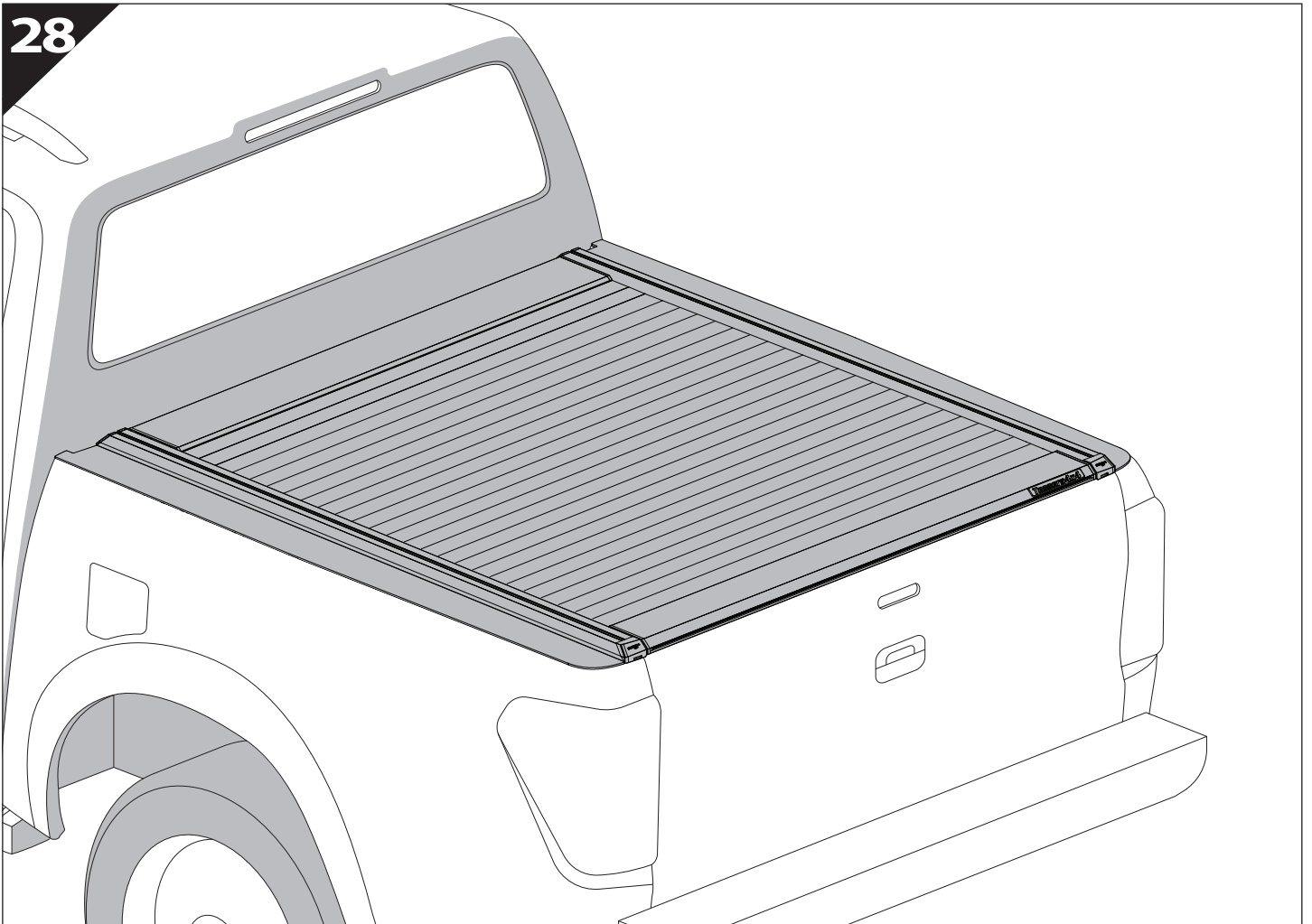
| | | |
|---------------------------|---------------------------|--------------|
| <p>N</p> <p>x6</p> | <p>E</p> <p>x6</p> | <p>13 mm</p> |
|---------------------------|---------------------------|--------------|



27



28





GR: Οδηγίες Εγκατάστασης
GB: Installation manual
SF: Asennusohje
F: Notice de montage
PL: Instrukcja montażu
NL: Installatie-instructies
TR: Montaj Talimatı
S: Monteringsanvisning
E: Instrucciones de montaje

H: Szerelési utasítás
P: Instruções de instalação
RUS: Инструкция по установке
N: Monteringsveiledning
D: Einbauanleitung
CZ: Návod k instalaci
I: Istruzioni de montaggio
DK: Monteringsvejledning
RO: Instructiuni de instalare

Customer Service:

+30 (210) 5541161, +30 (210) 5541154 (08:00 - 16:00 EET)

Support department:

info@gianso.gr

Website:

www.tessera4x4.com

Address:

19.5 km of National road Athens-Korinthos (Elefsina) Greece, P.C: 19200