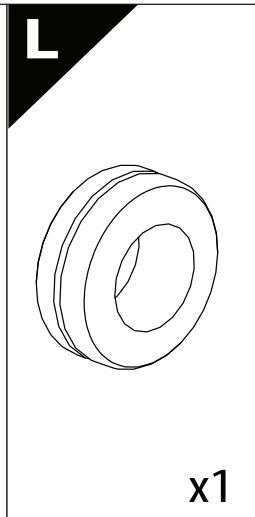
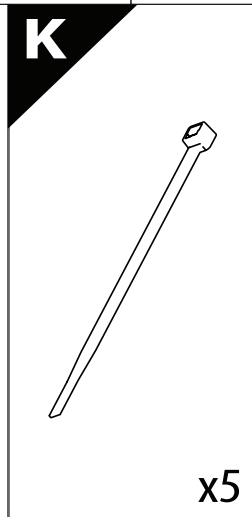
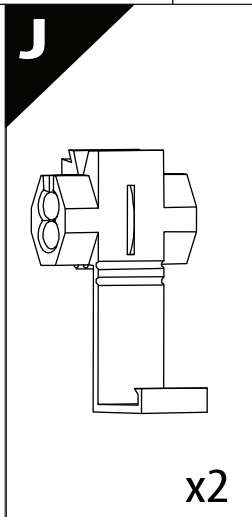
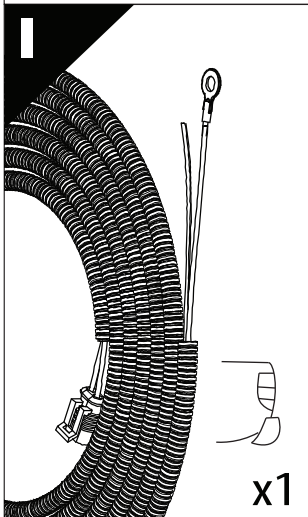
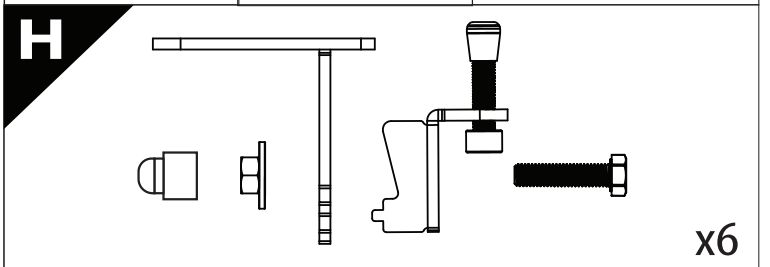
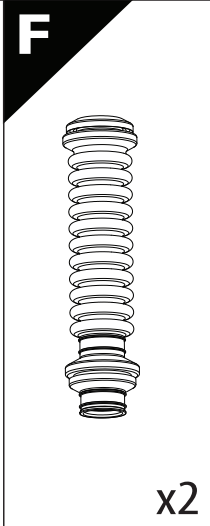
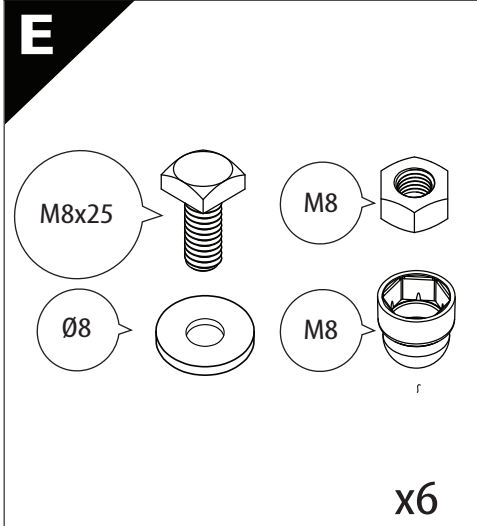
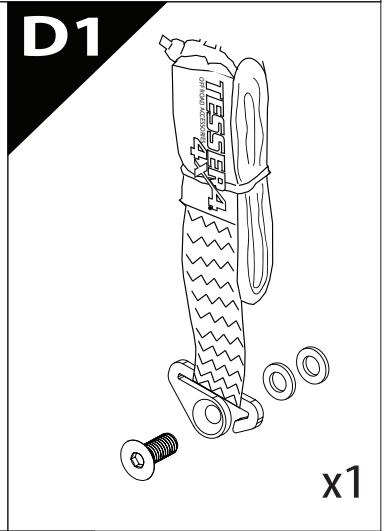
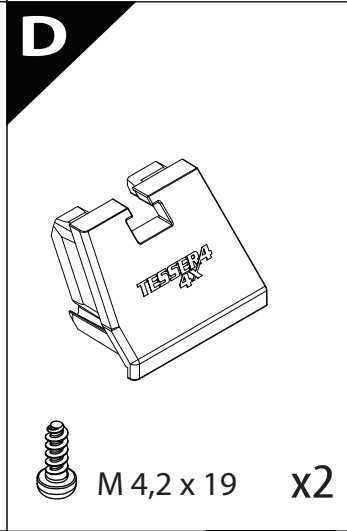
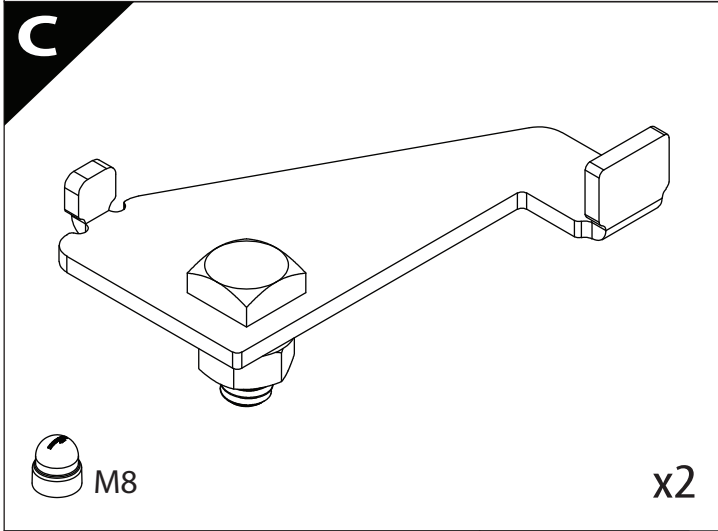
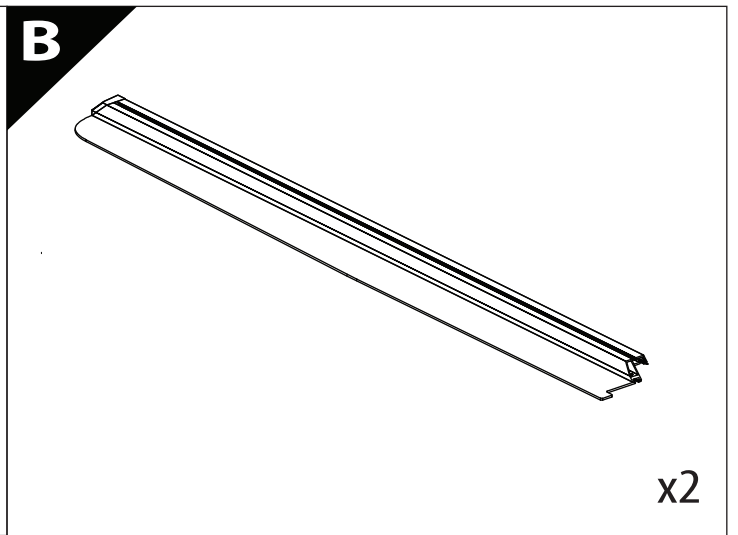
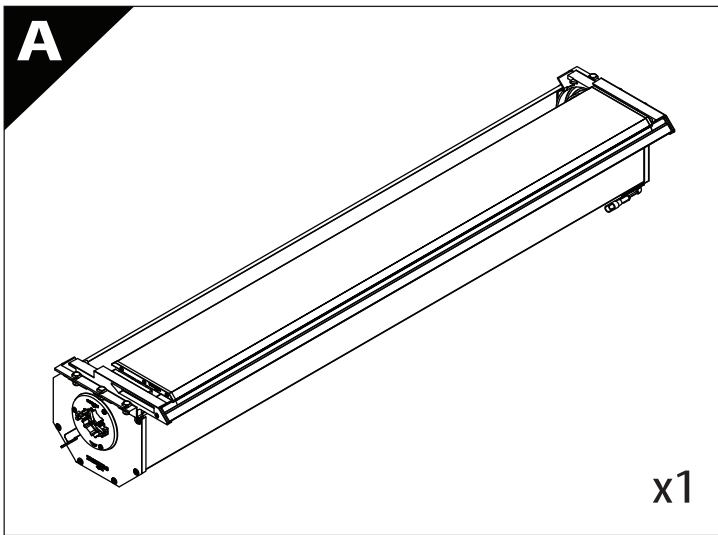
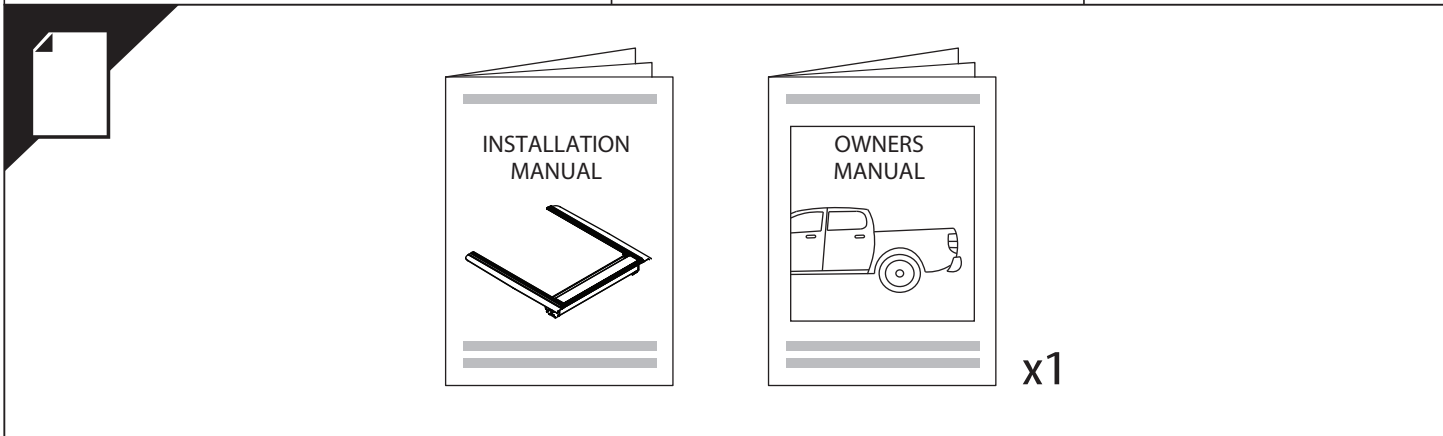
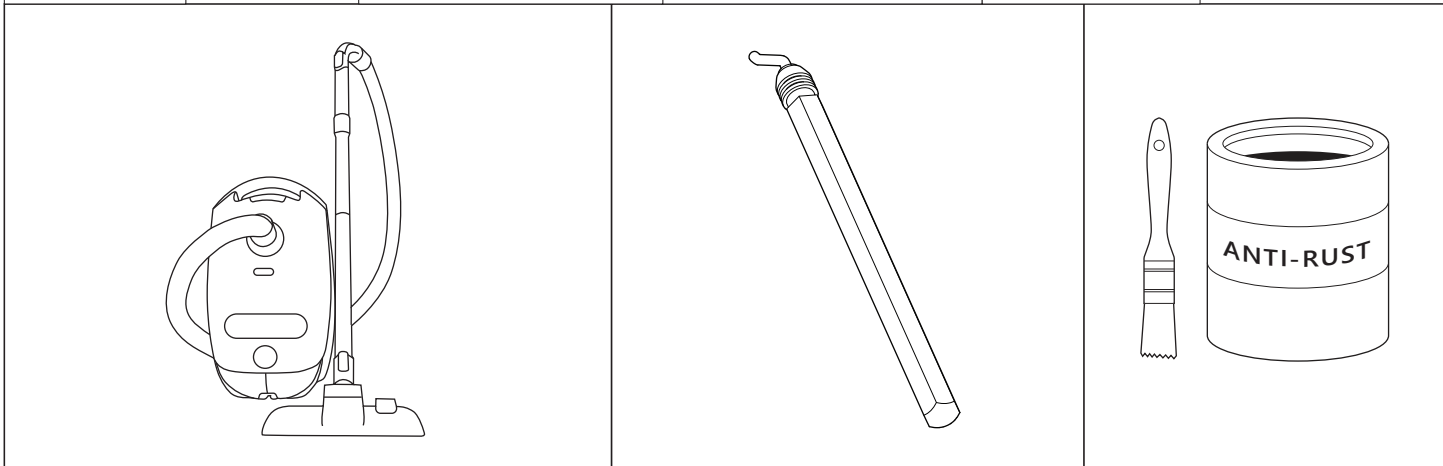
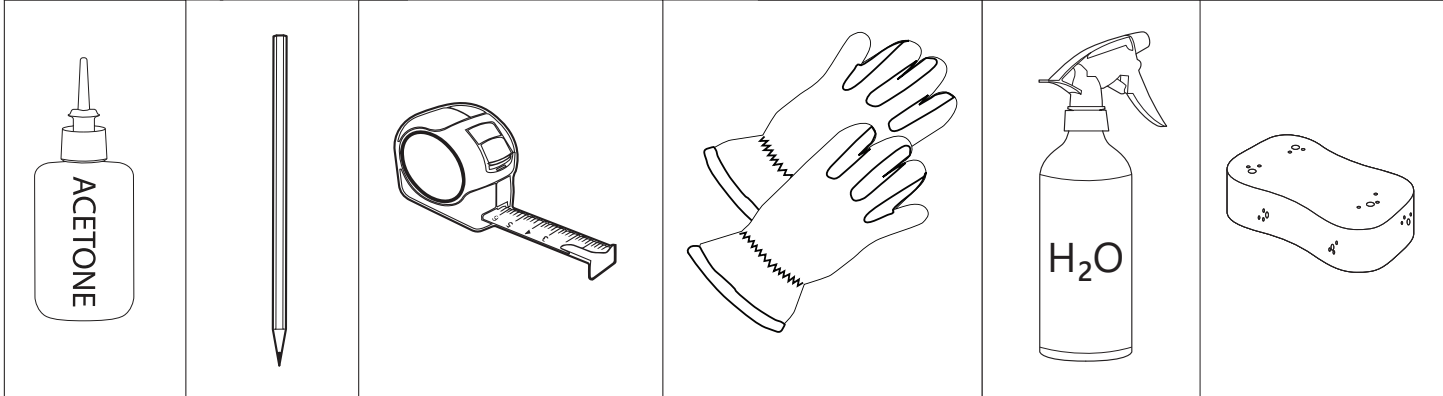
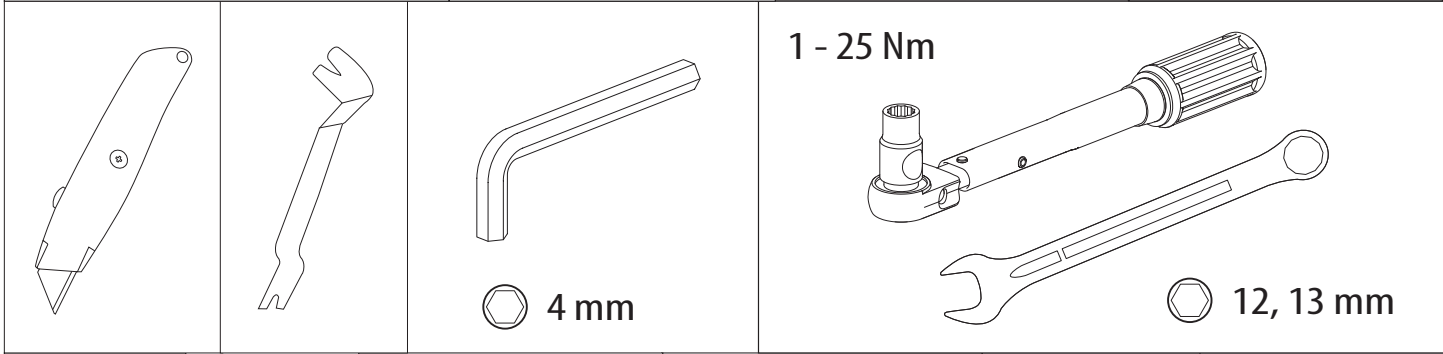
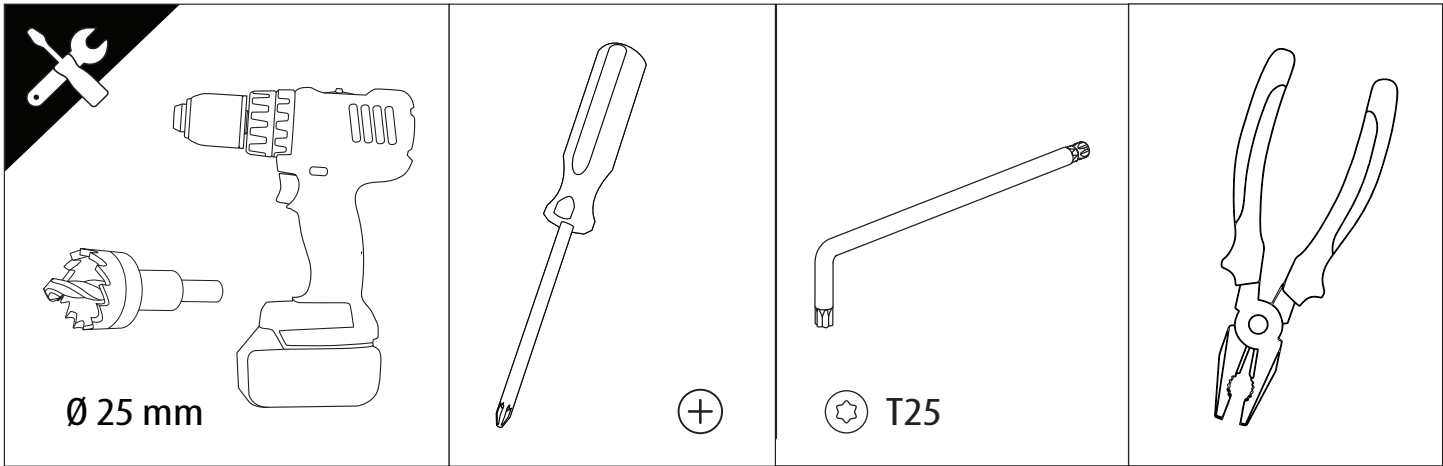
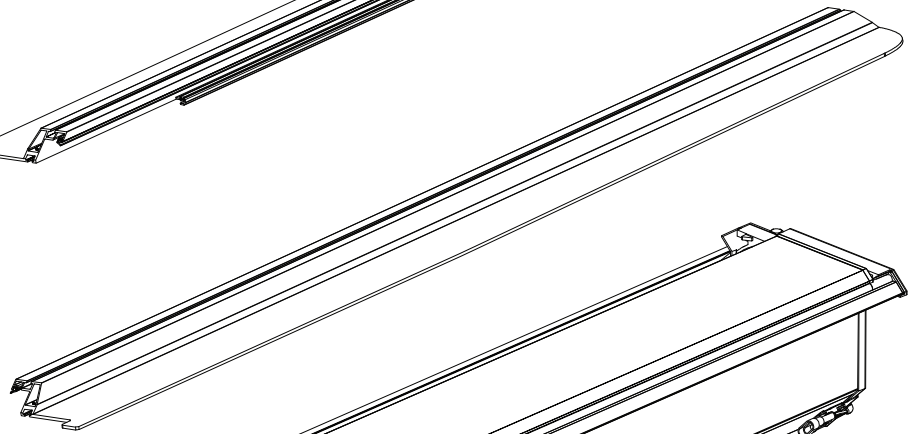
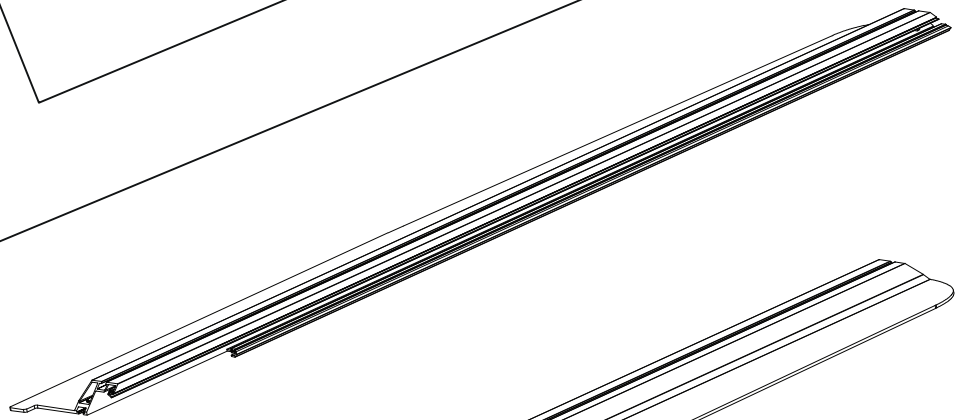
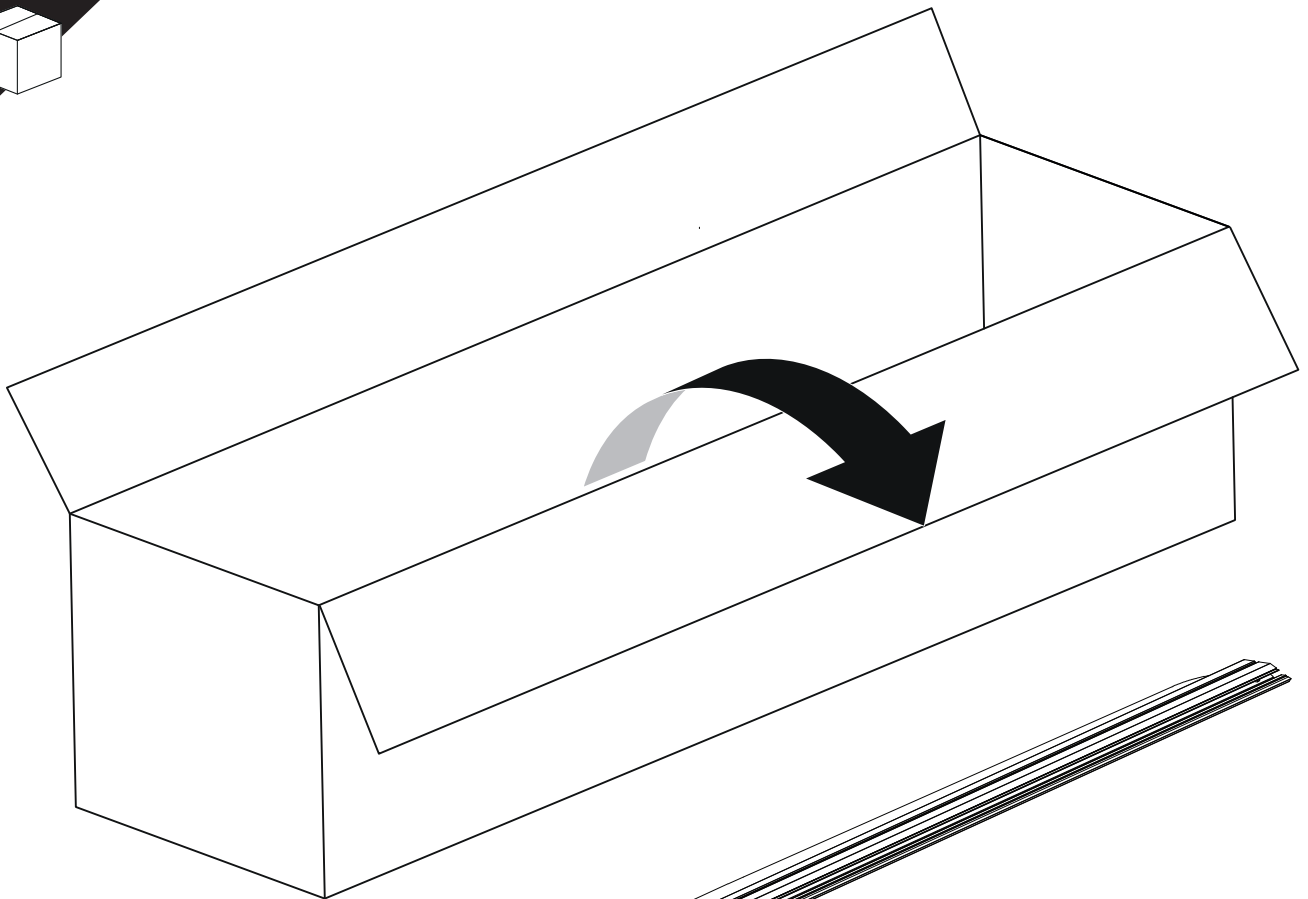


Installation Manual

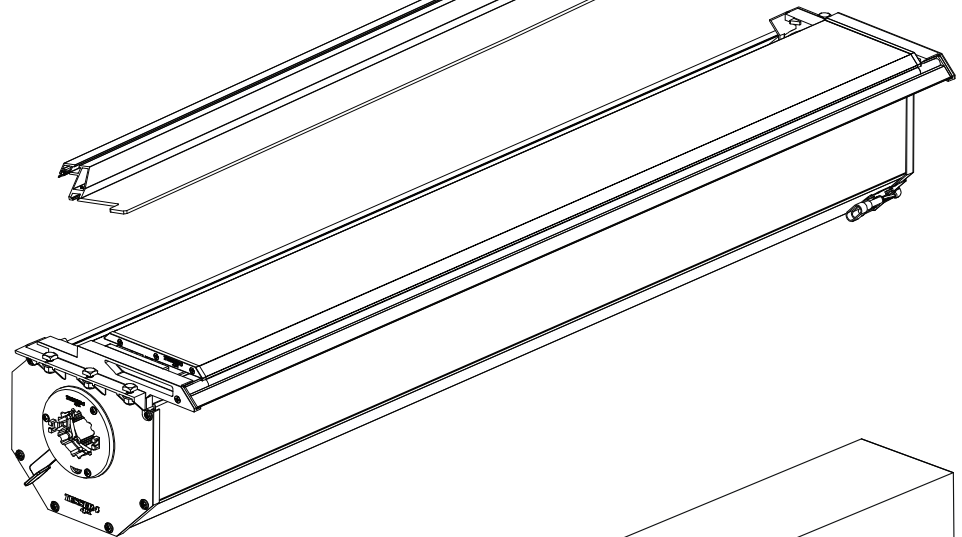
PART NUMBER(S)		Model Year
TESS 1524 SE	TESS 1624 SE+	Dodge Ram 1500 2009 -> 2018 & 2019+
TESS 15241 SE	TESS 16241 SE+	Dodge Ram 1500 2002 -> 2008 & 2009 -> 2018 & 2019+
Cab(s)		Installation Time / Weight
Short Bed 5.7" & Standard Bed 6.4"		40-60 minutes / 53-57 kg





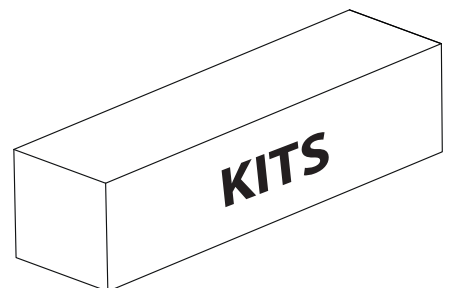


B

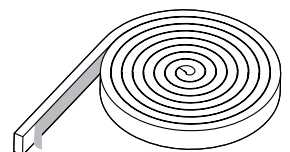


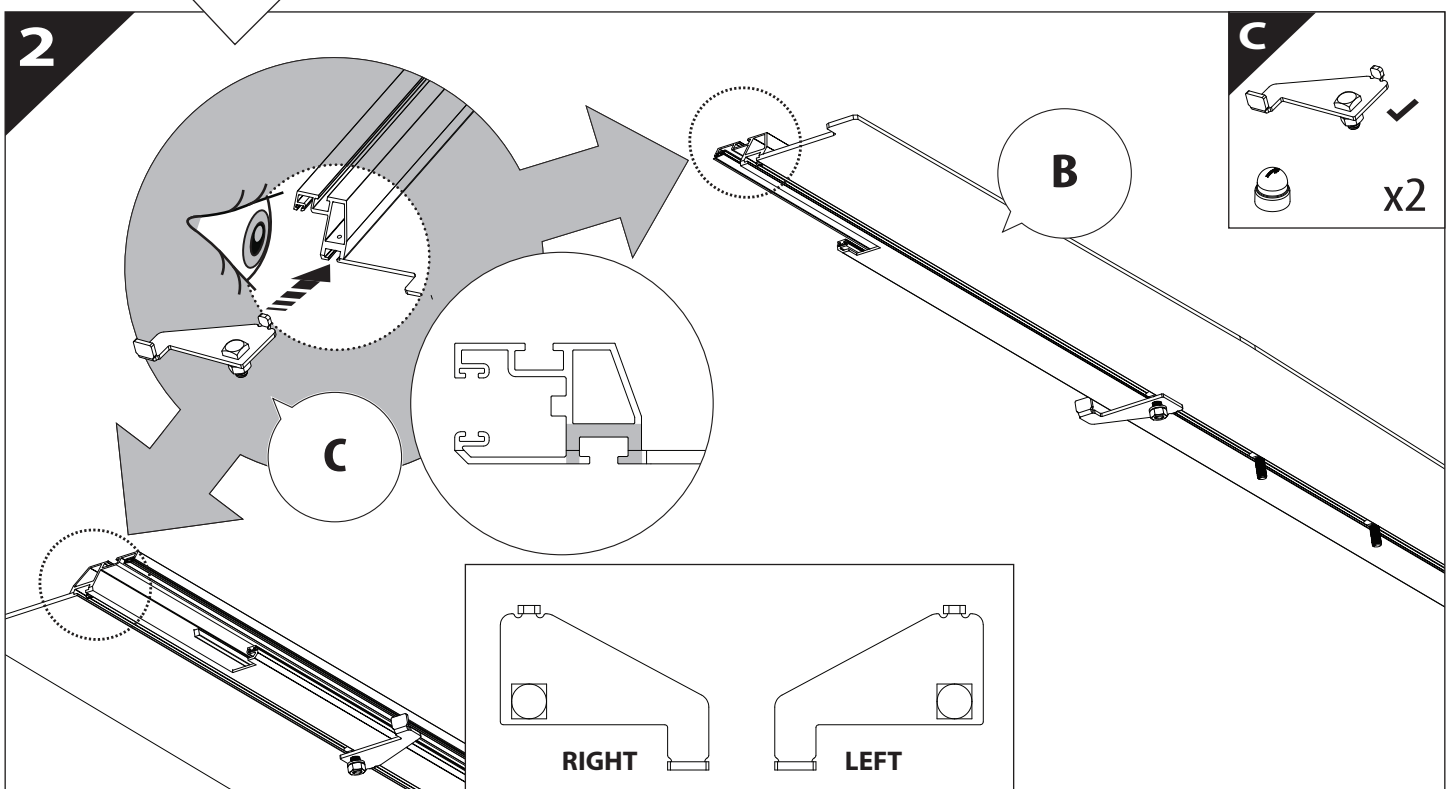
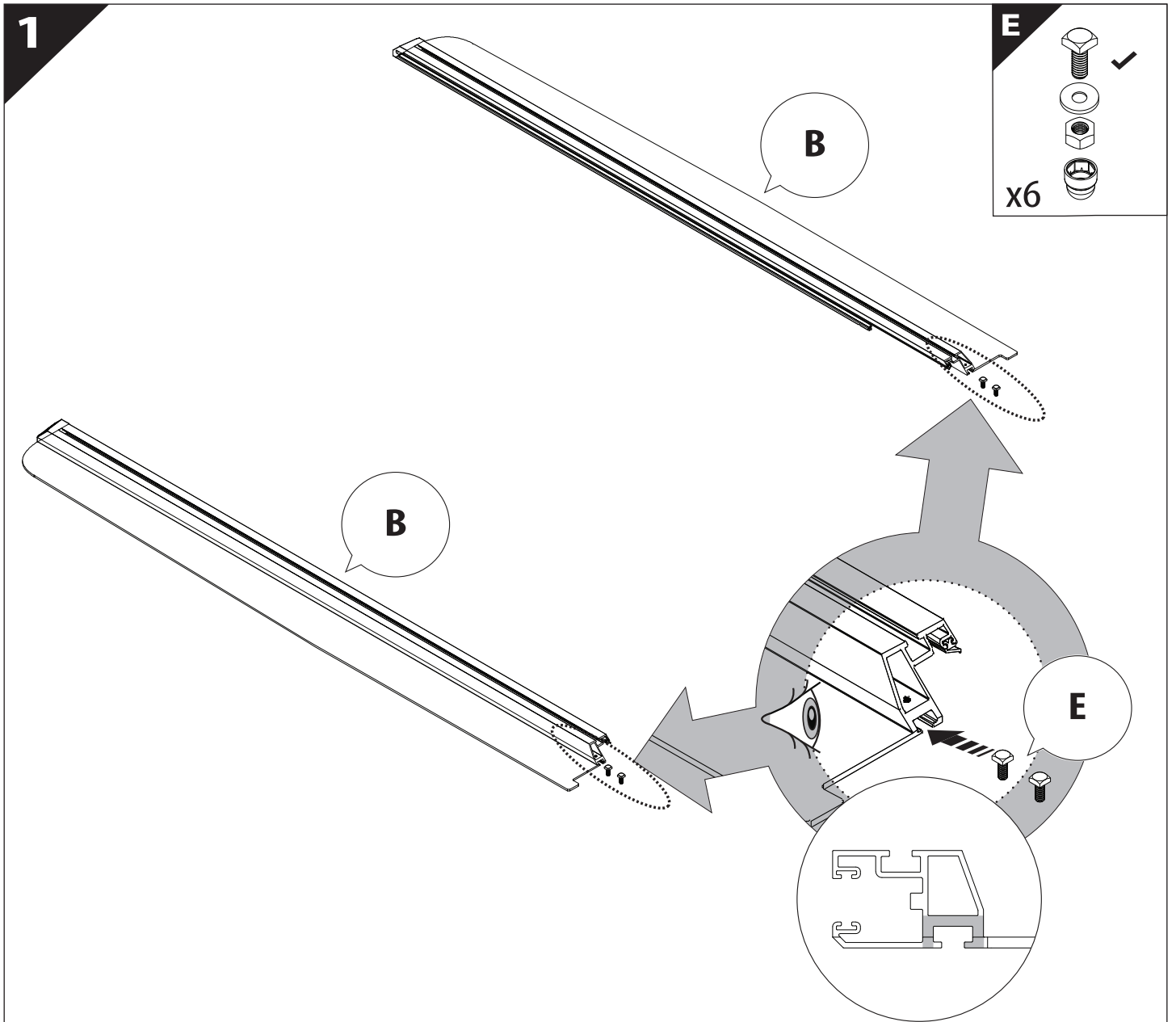
A

KITS

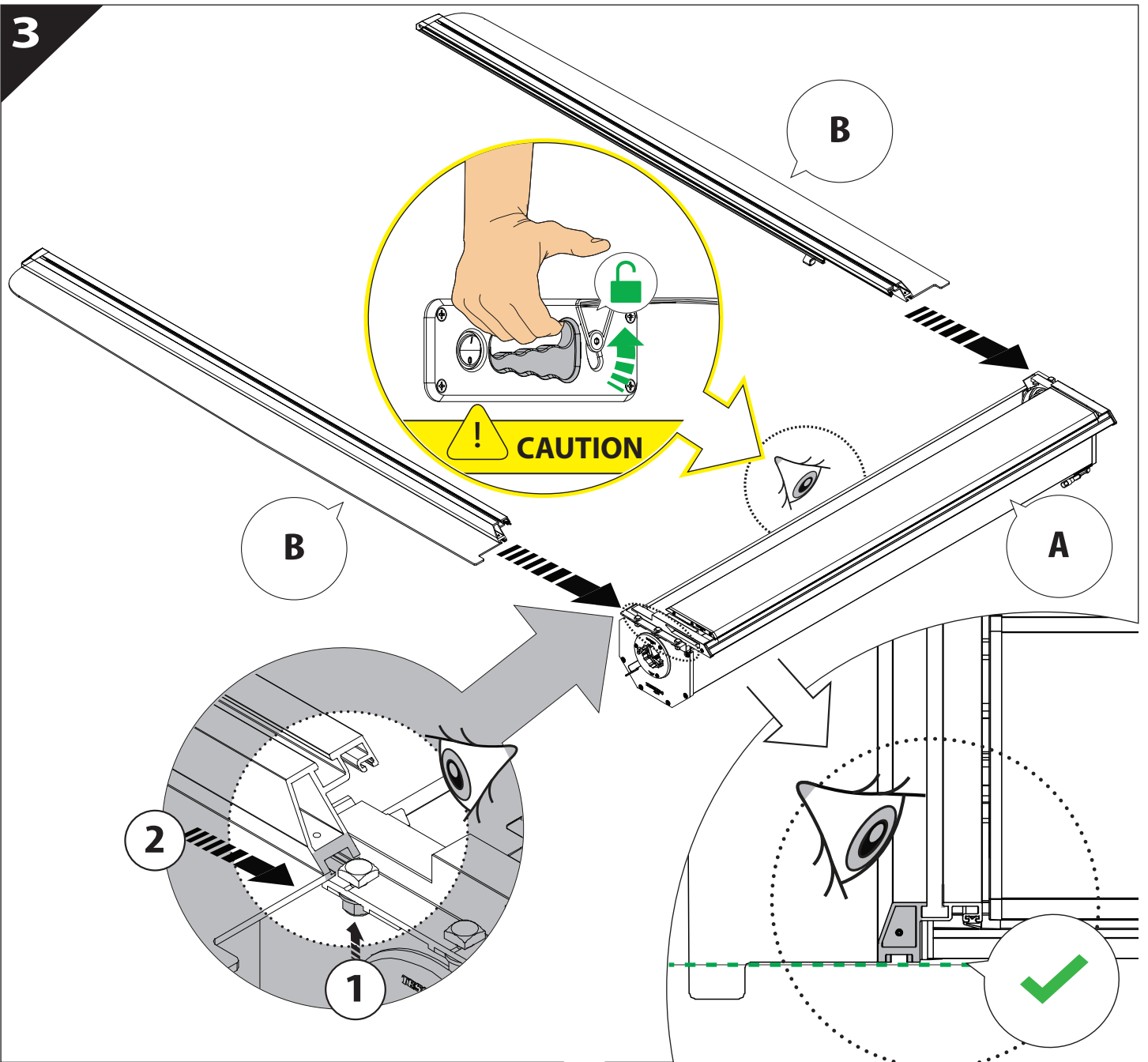


G

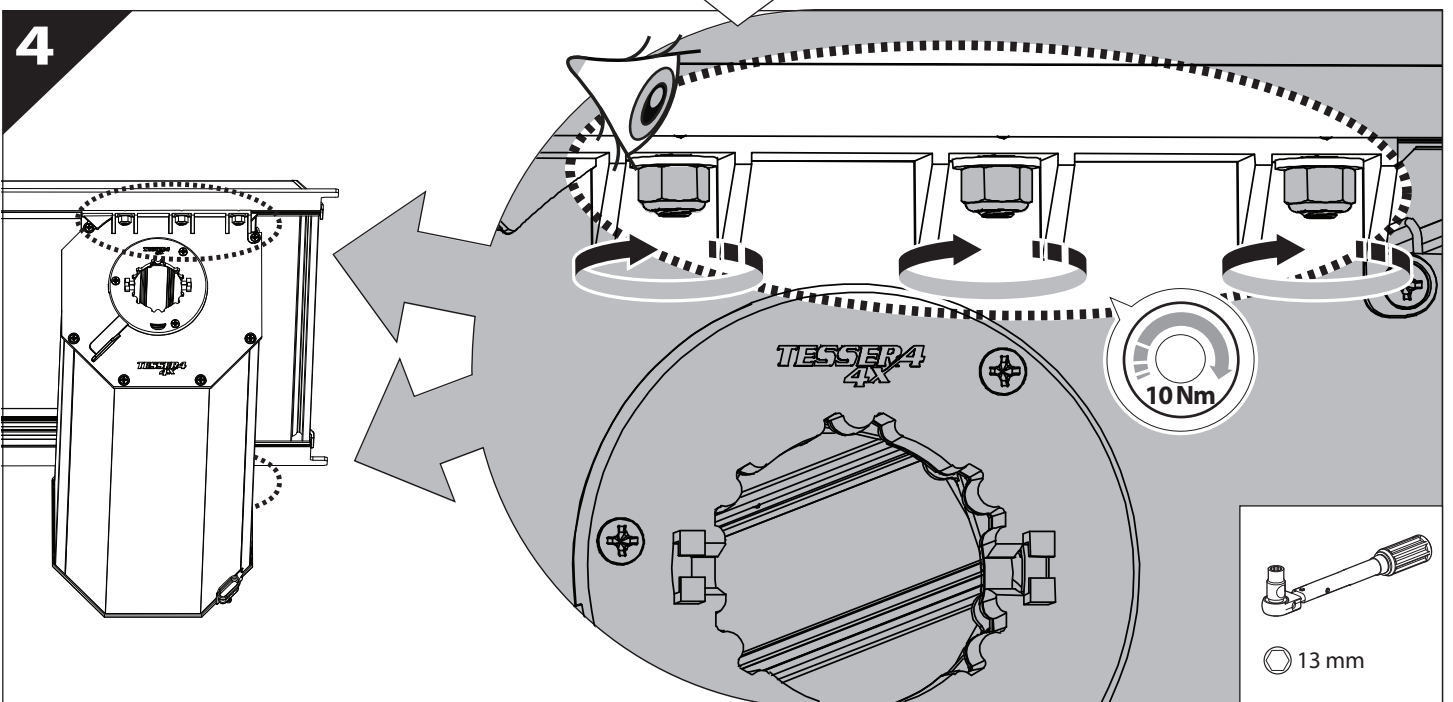


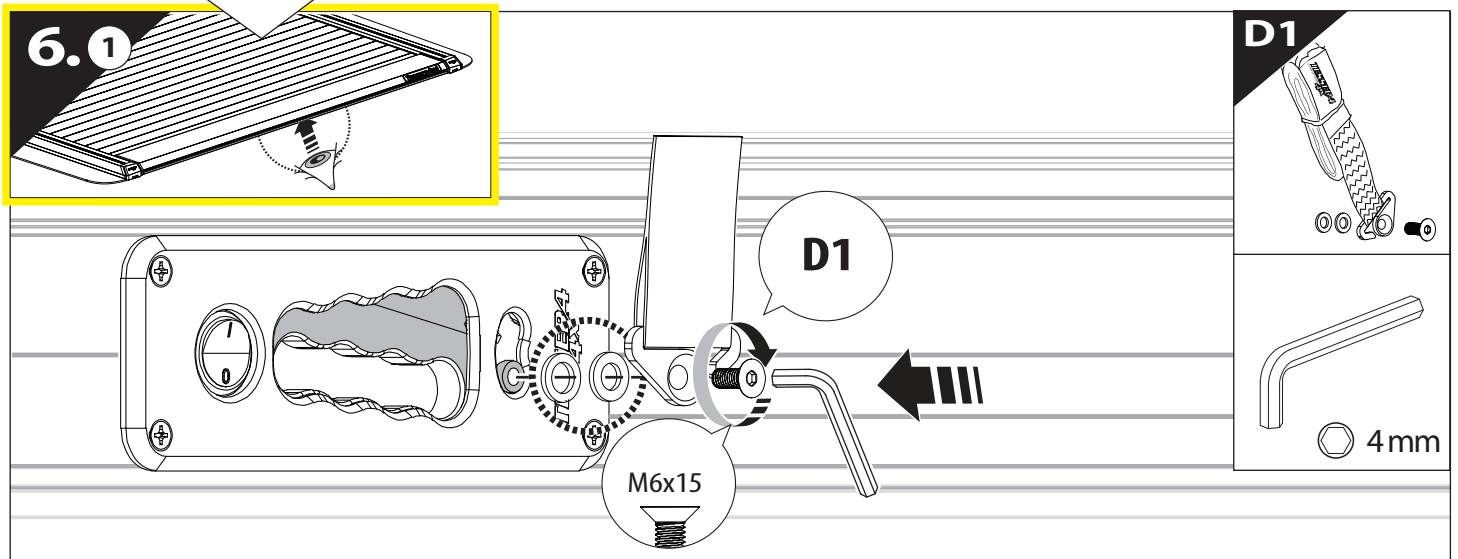
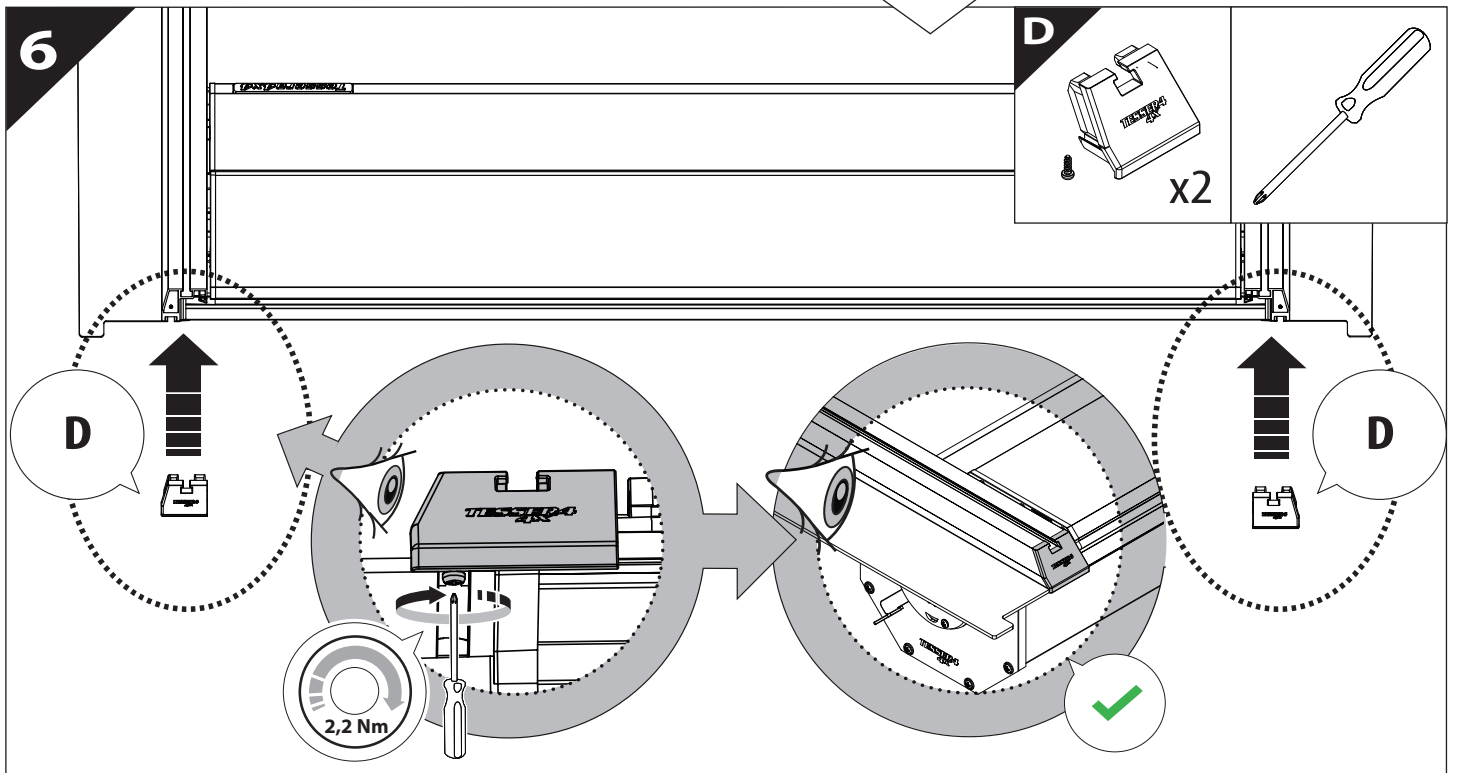
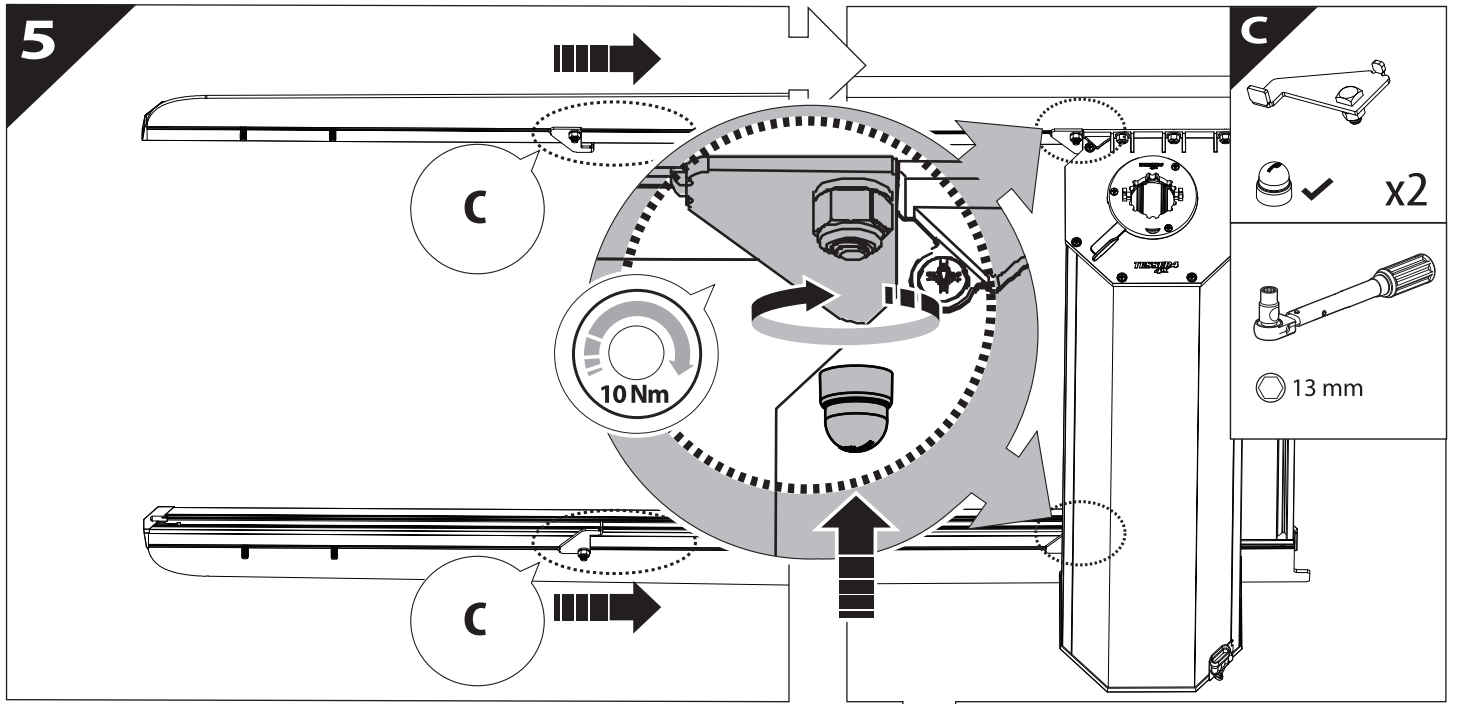


3



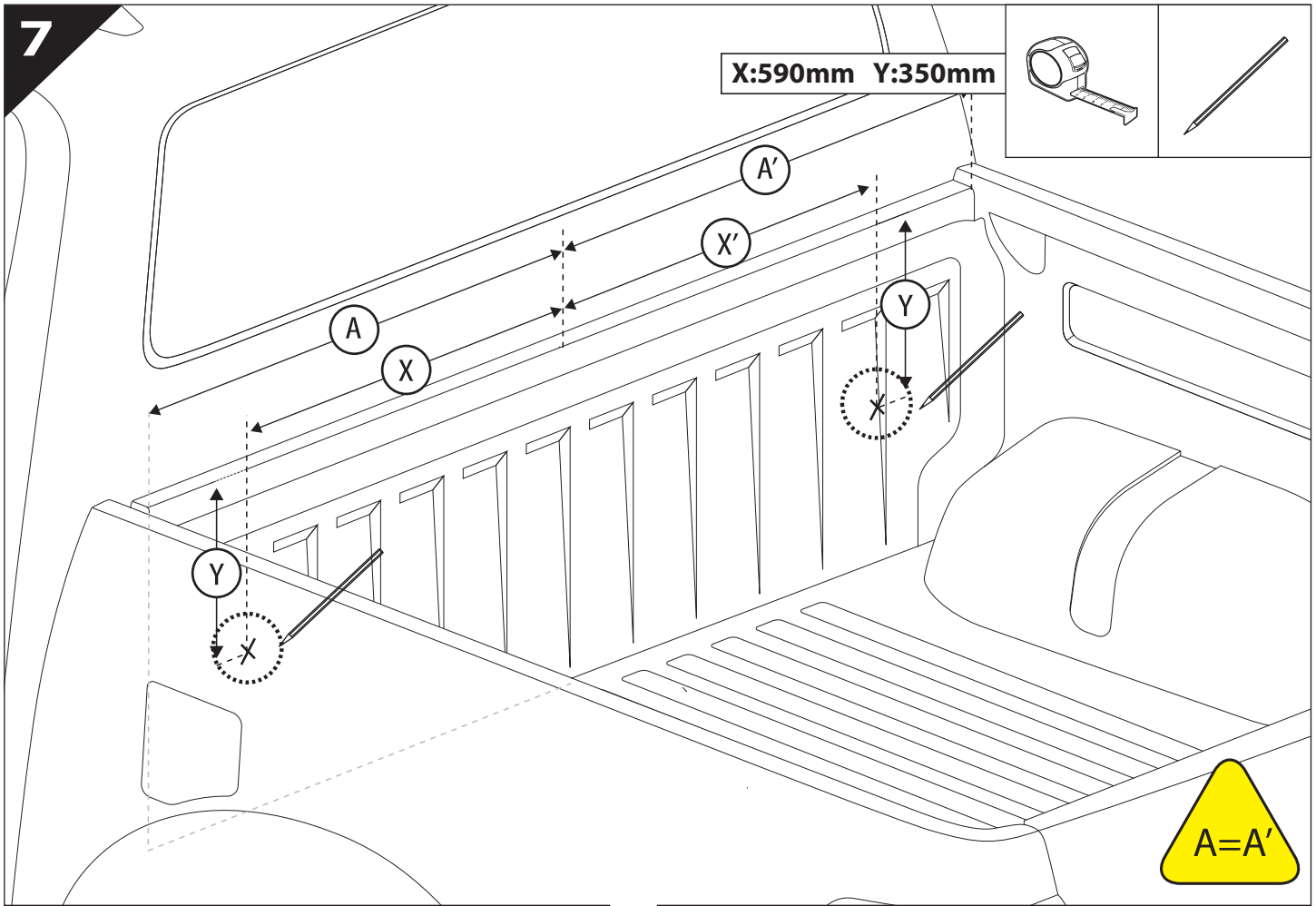
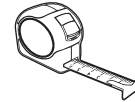
4





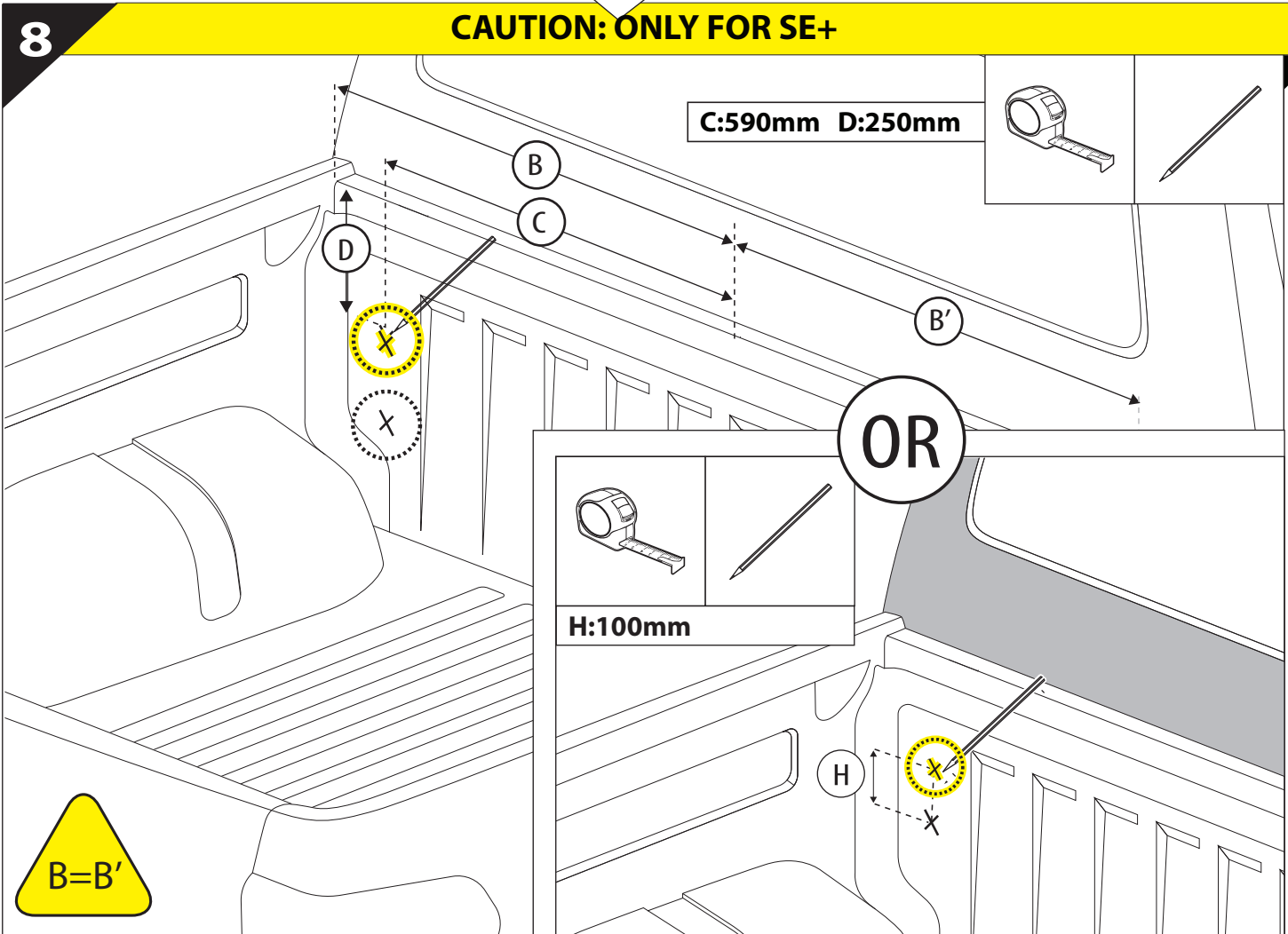
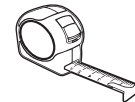
7

X:590mm Y:350mm



CAUTION: ONLY FOR SE+

C:590mm D:250mm



9

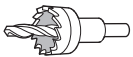
CAUTION

CAUTION

max: 2 mm

5 mm

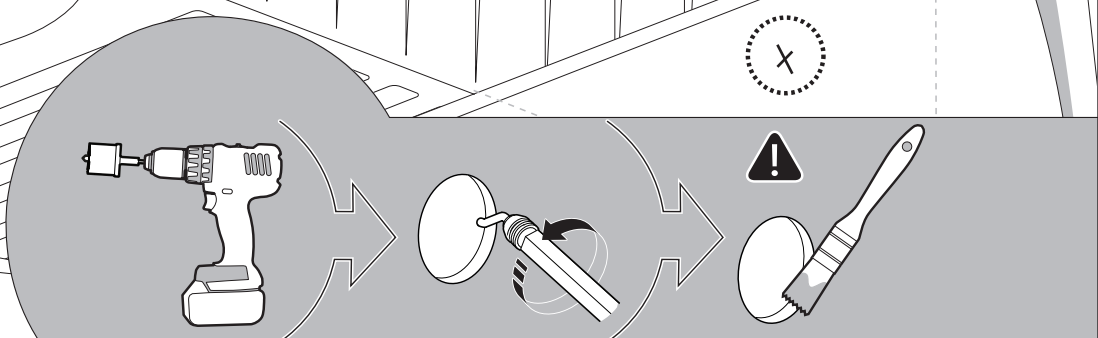
CAUTION: ONLY FOR SE+



Ø 25 mm



Rust Protection

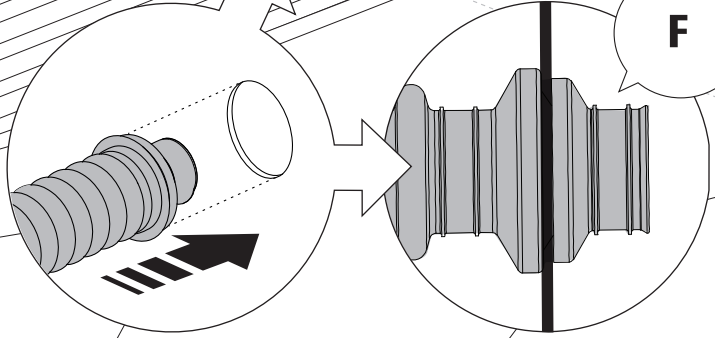


9.1

F

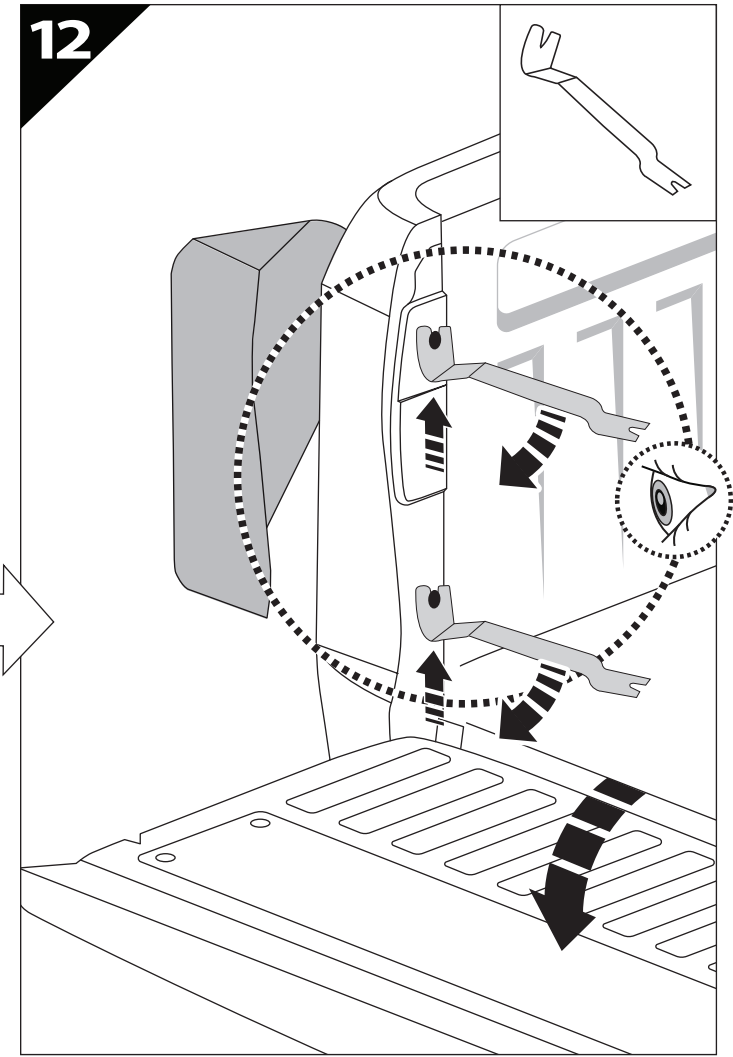
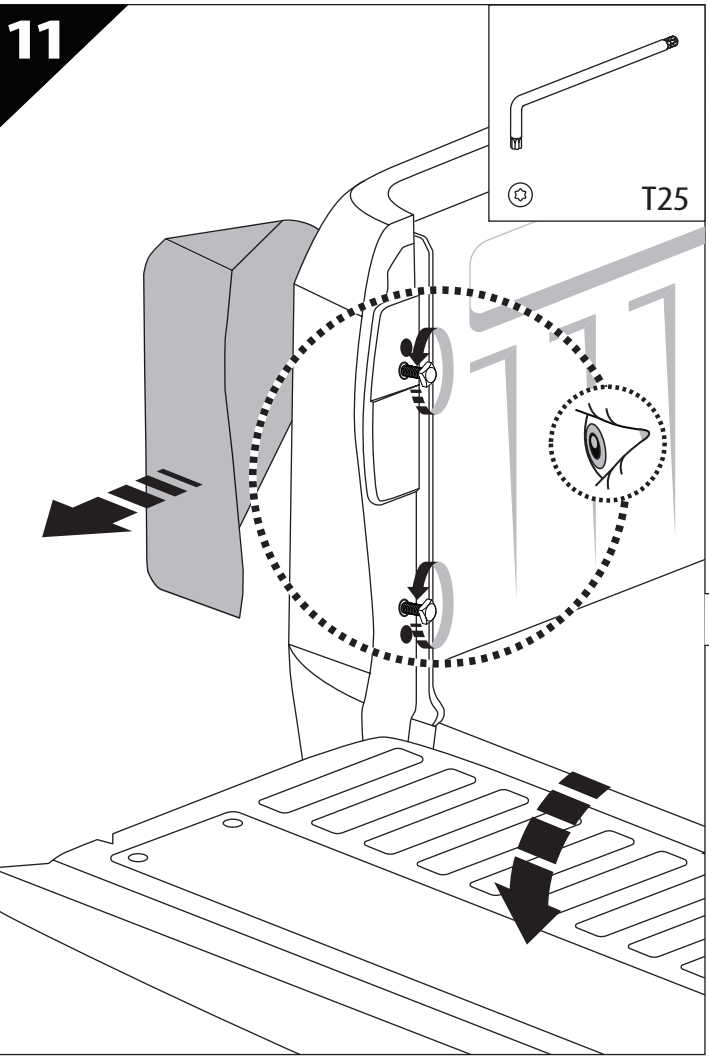
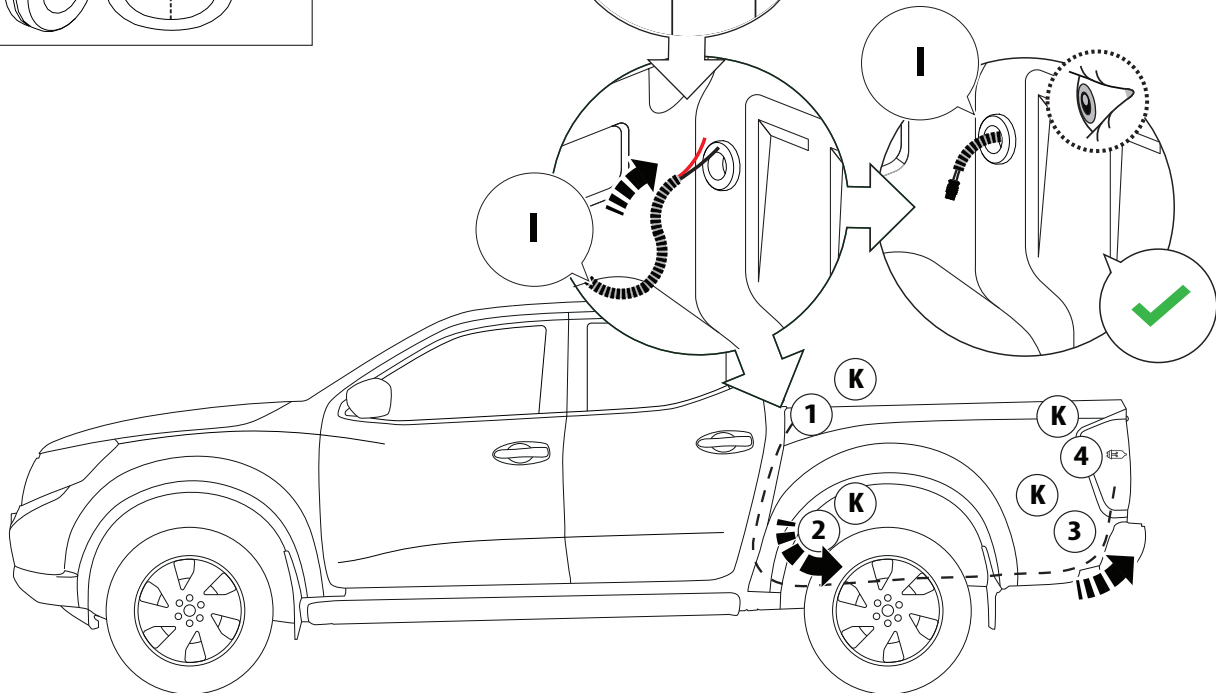
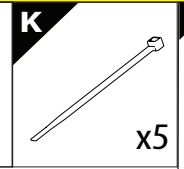
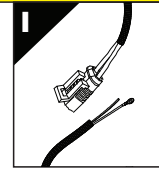
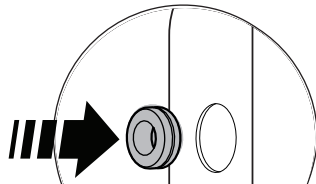
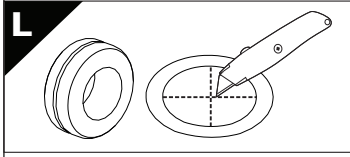


F

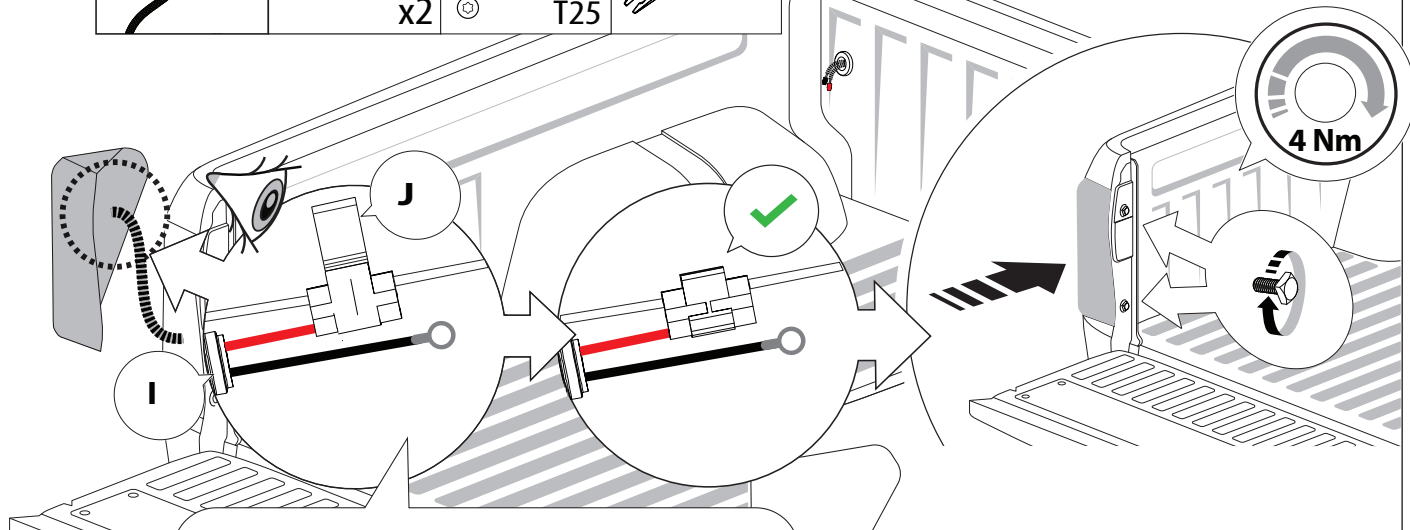
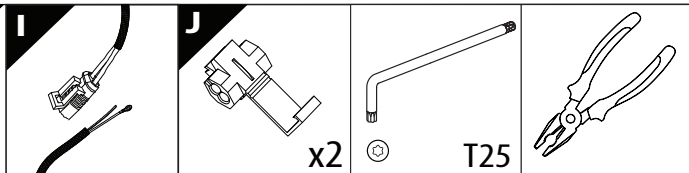


10

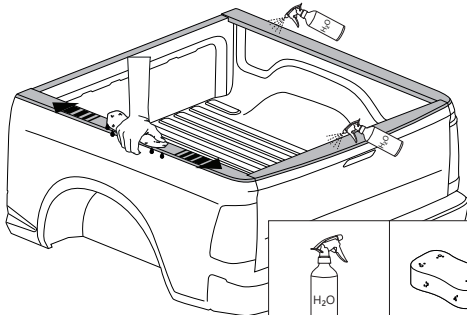
! CAUTION: ONLY FOR SE+



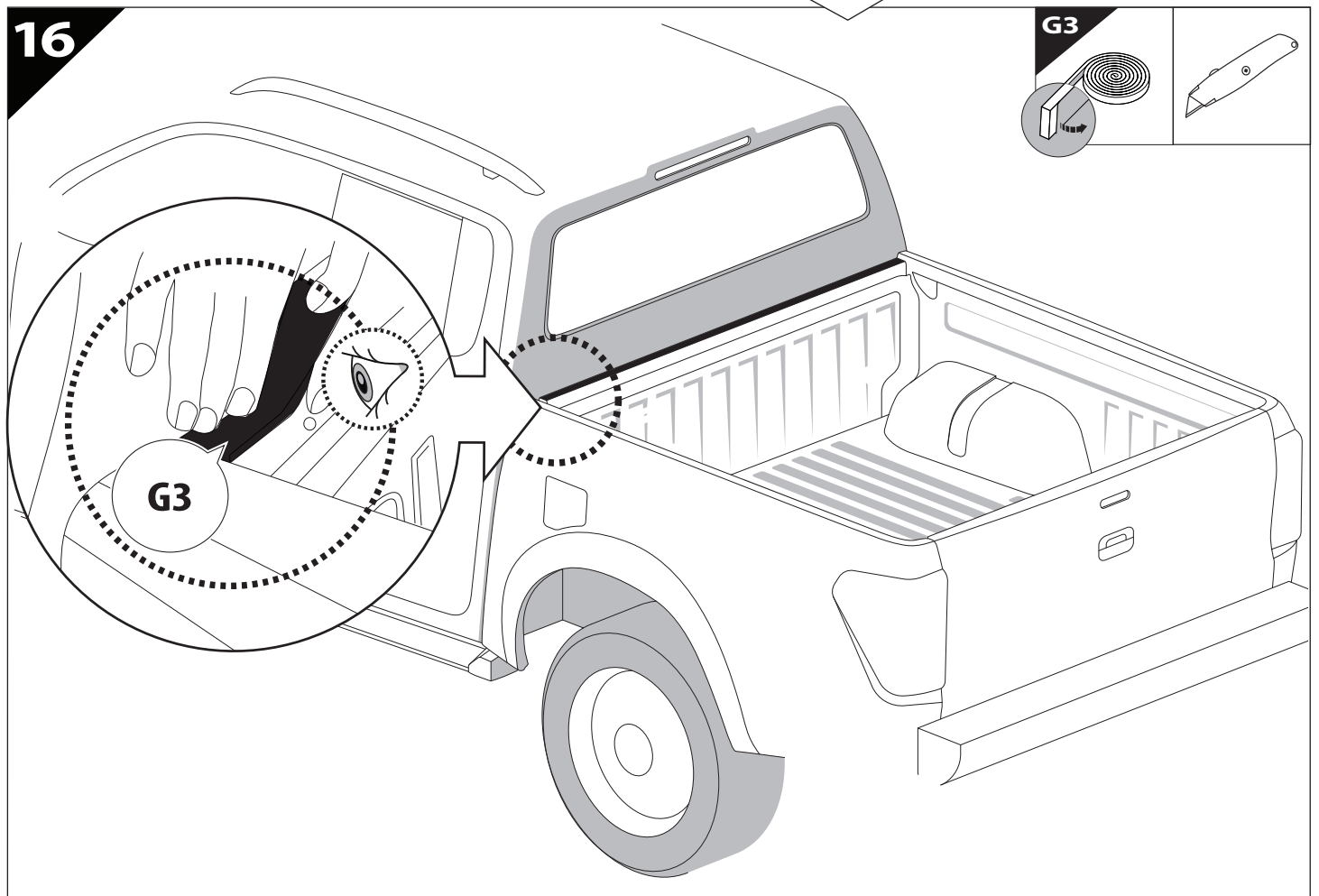
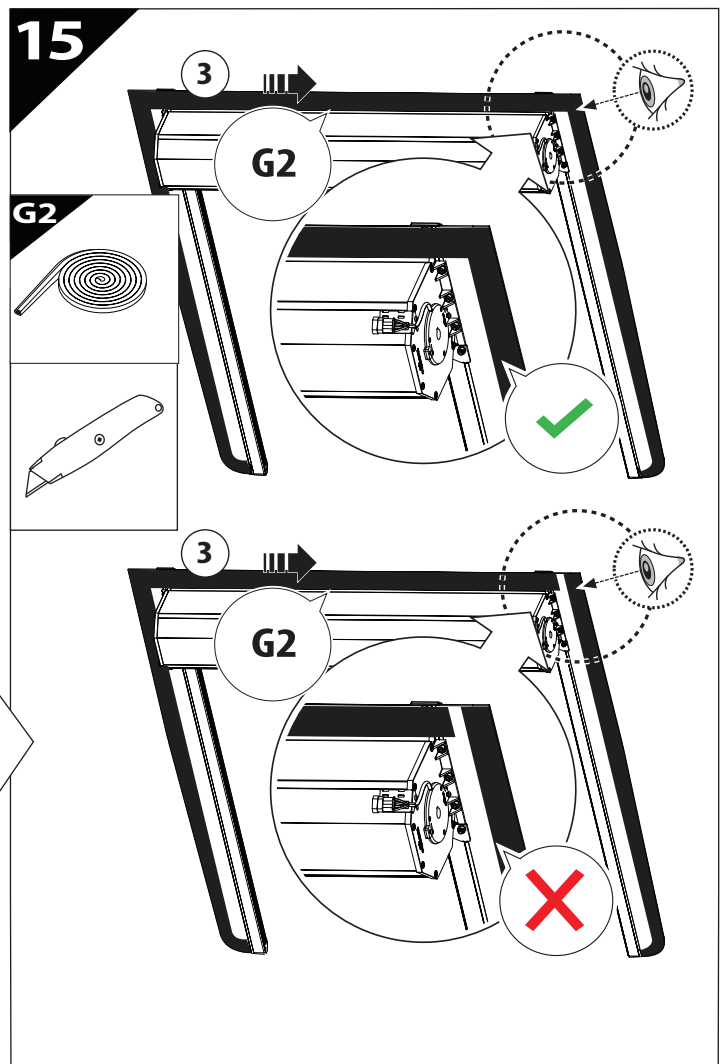
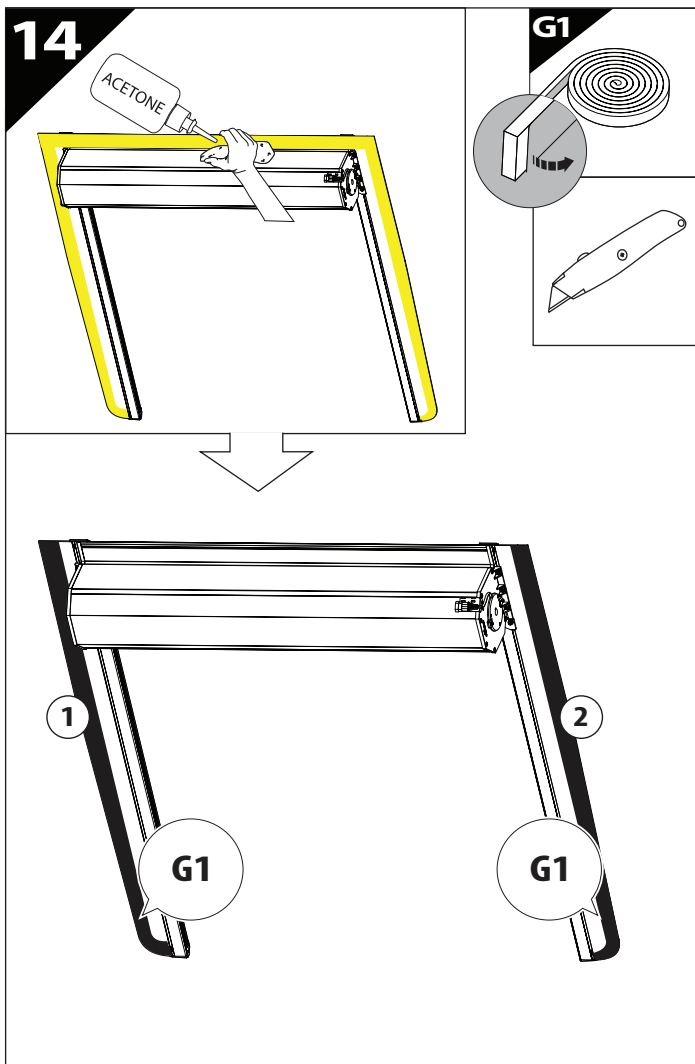
13

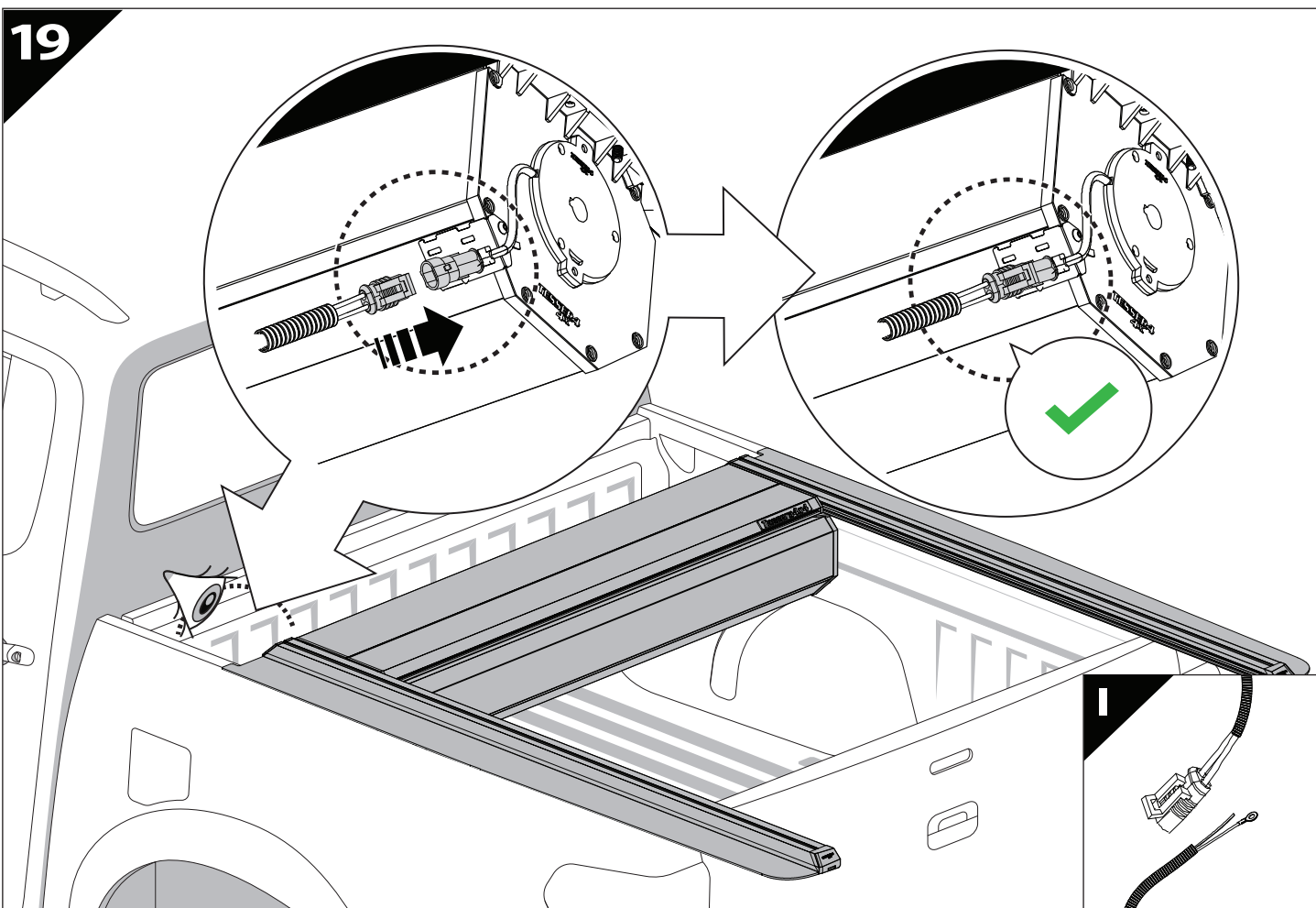
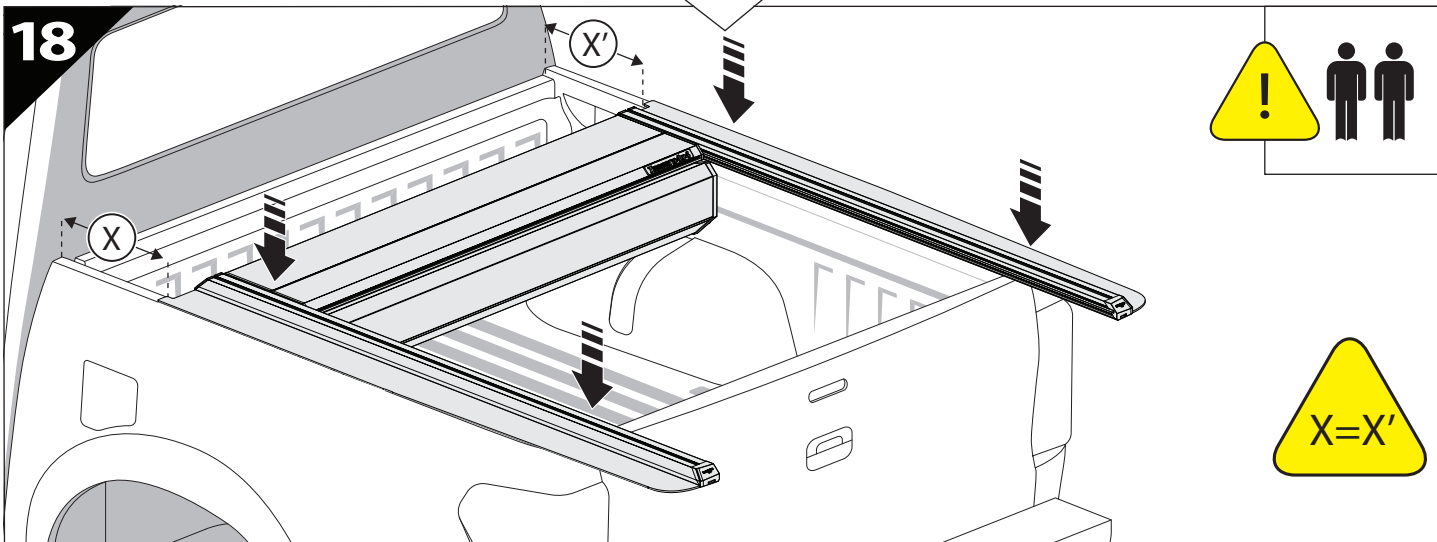
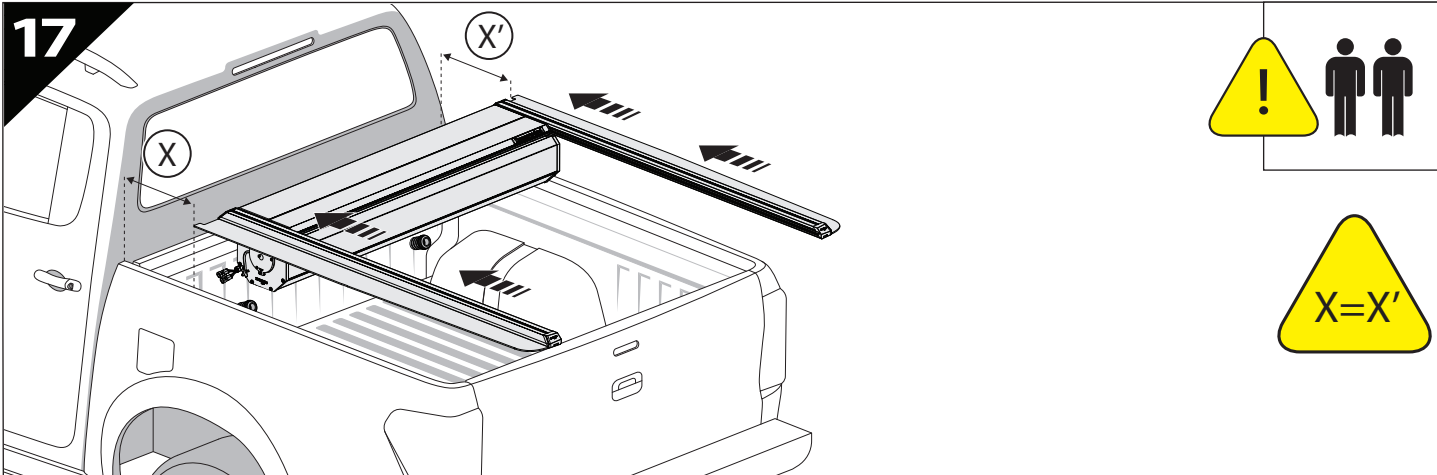


	CAR	TESSERA SE+
BEAM:		
OR		
BRAKE:		

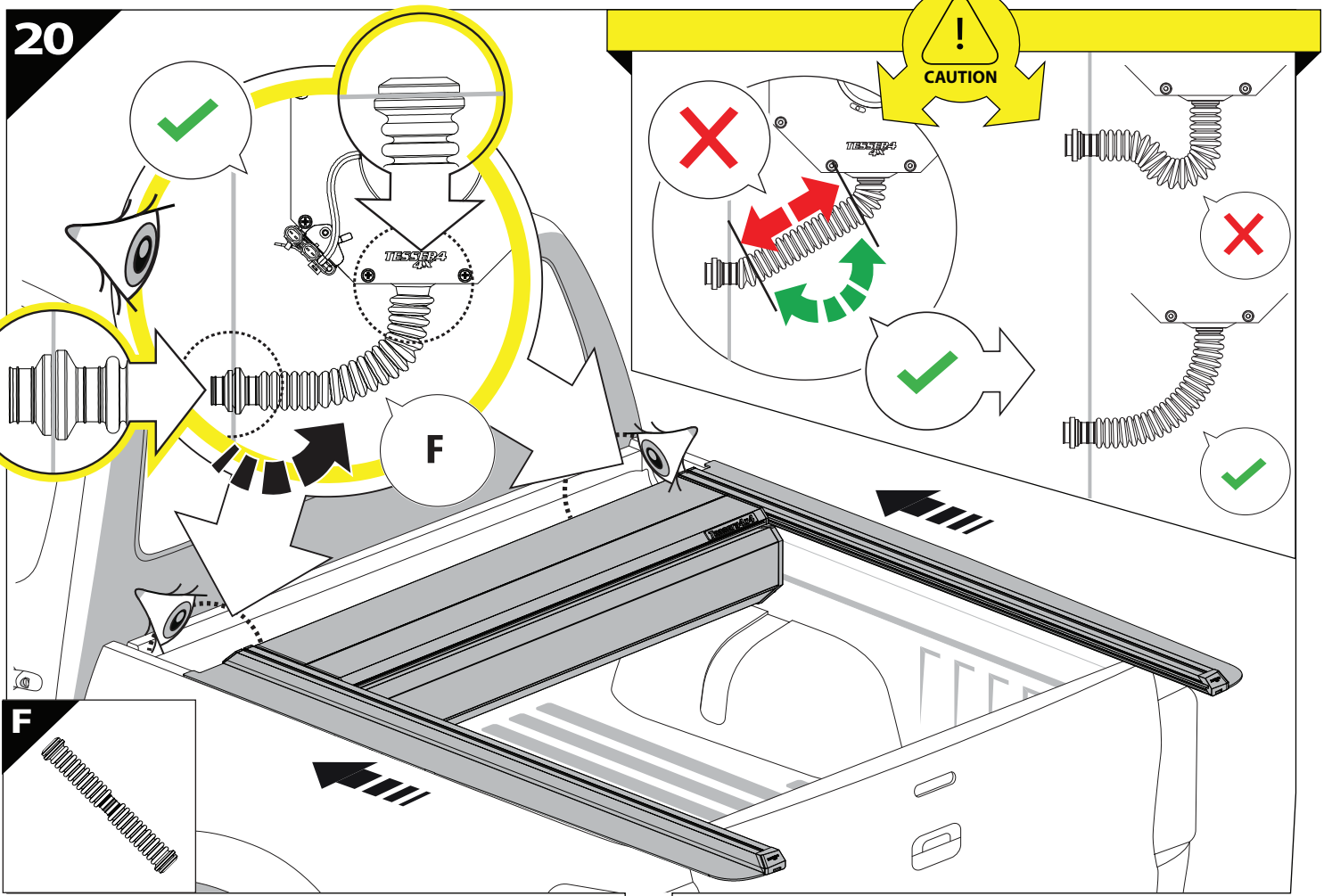


CONSULT YOUR VEHICLE ENGINEER OR A QUALIFIED ELECTRICIAN TO LOCATE AND CONNECT THE GROUND WIRE.

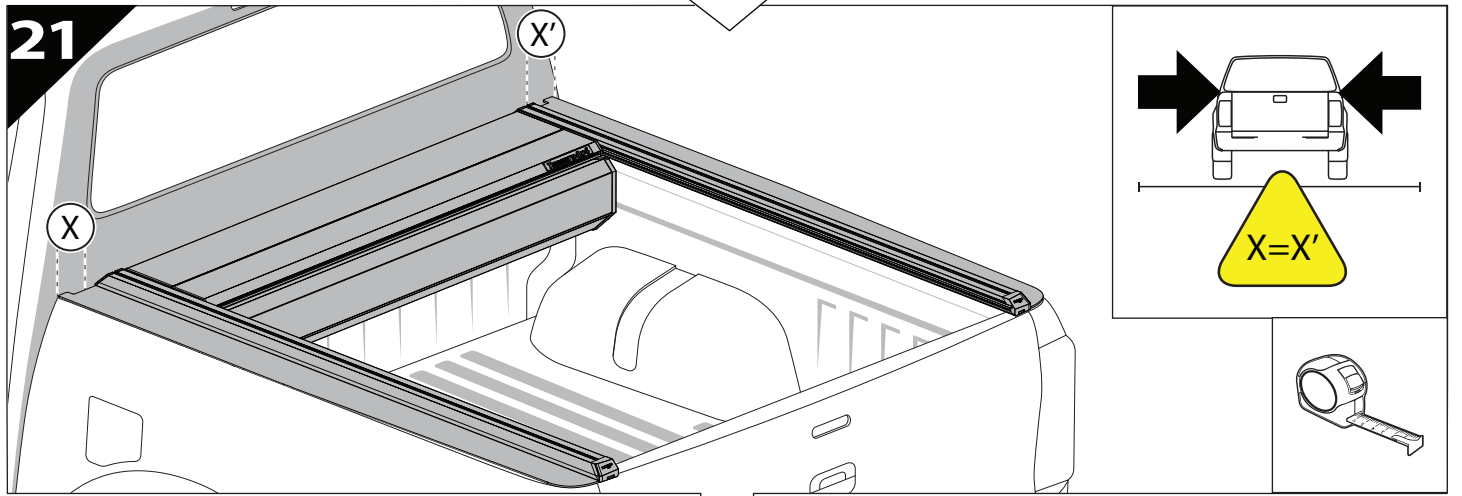




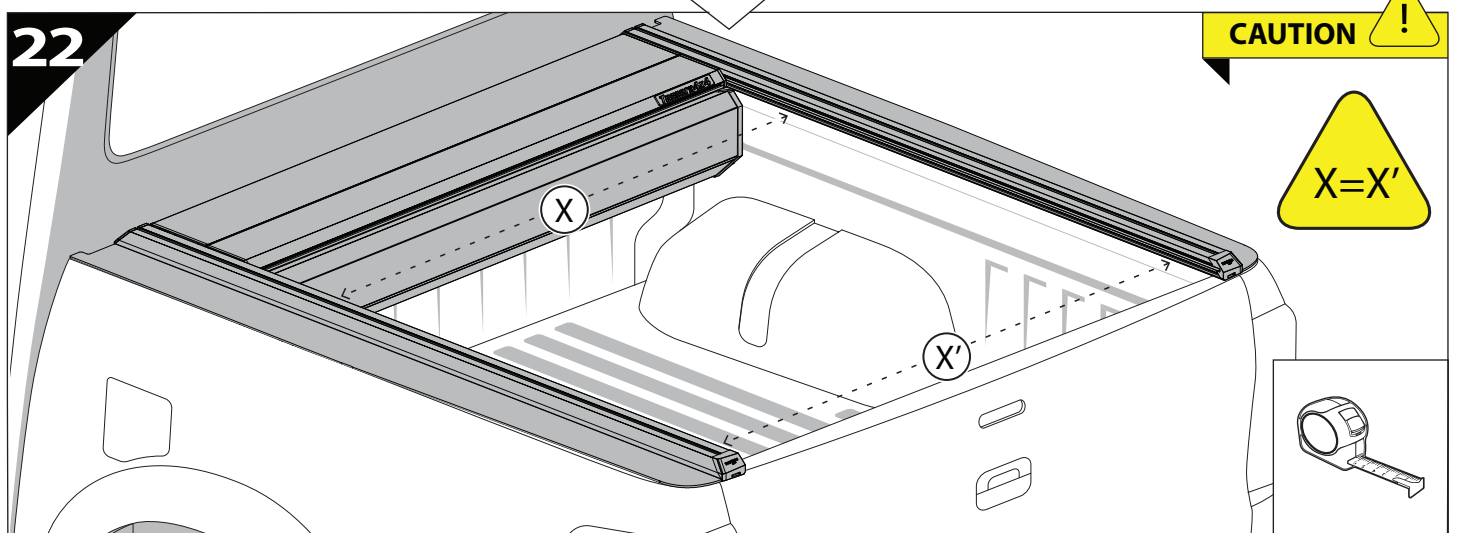
20

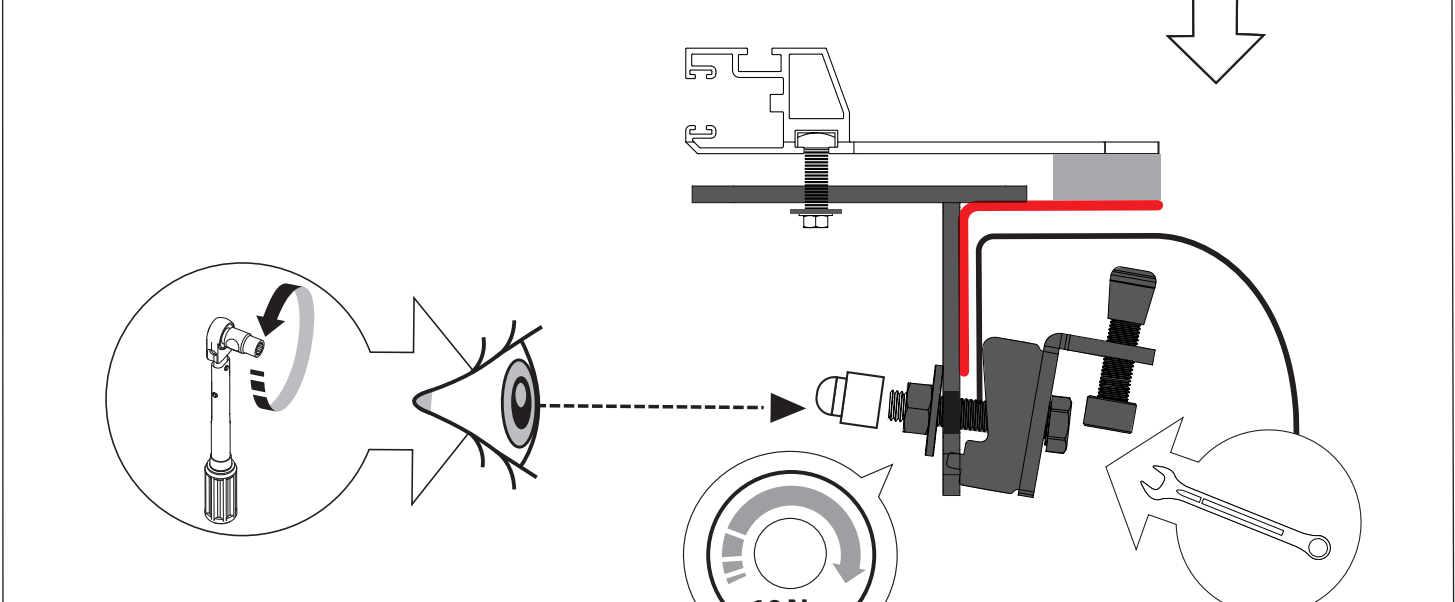
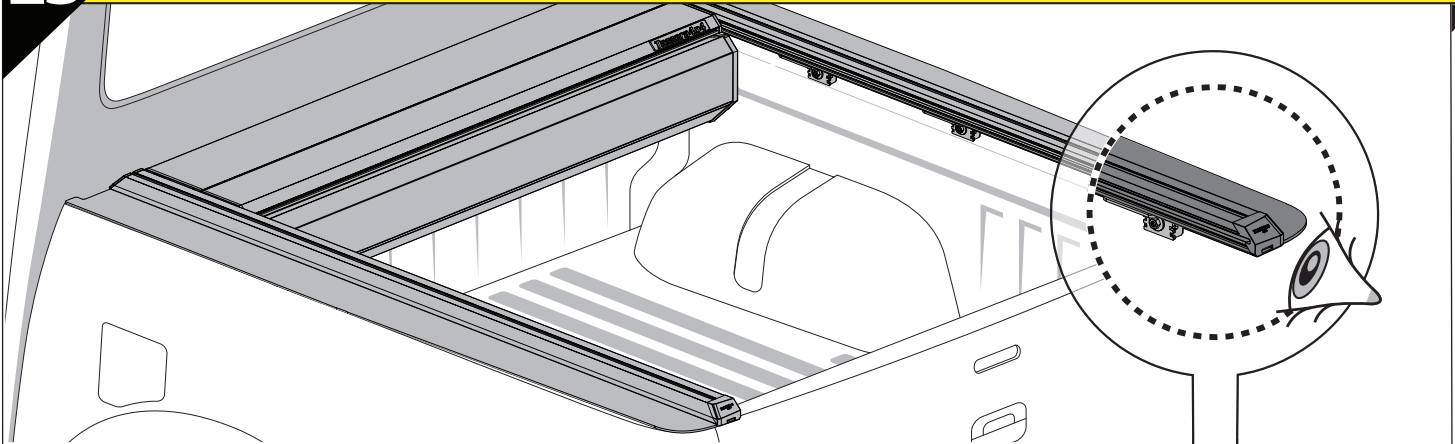


21

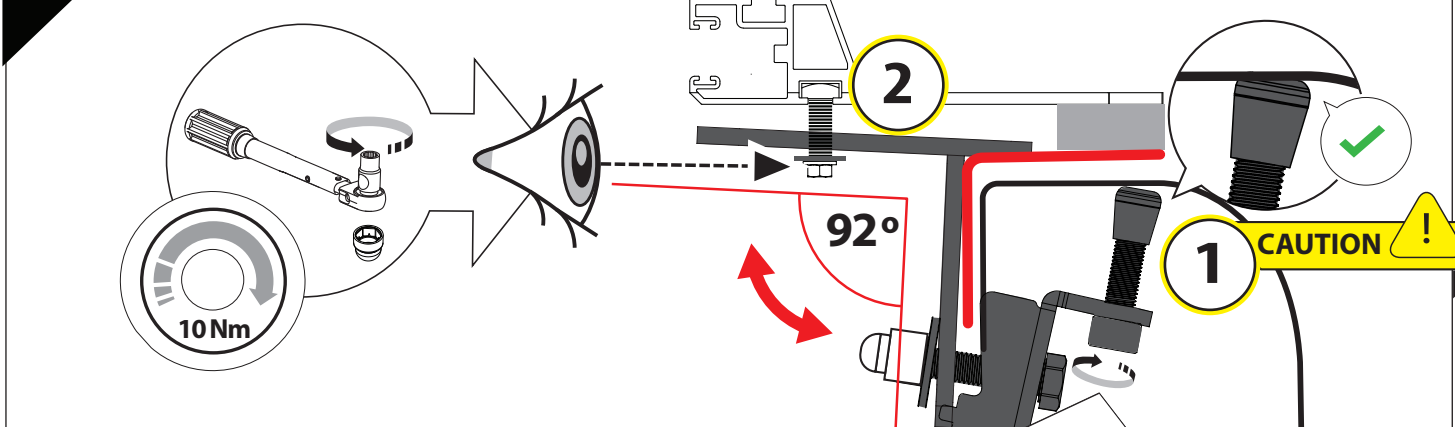


22

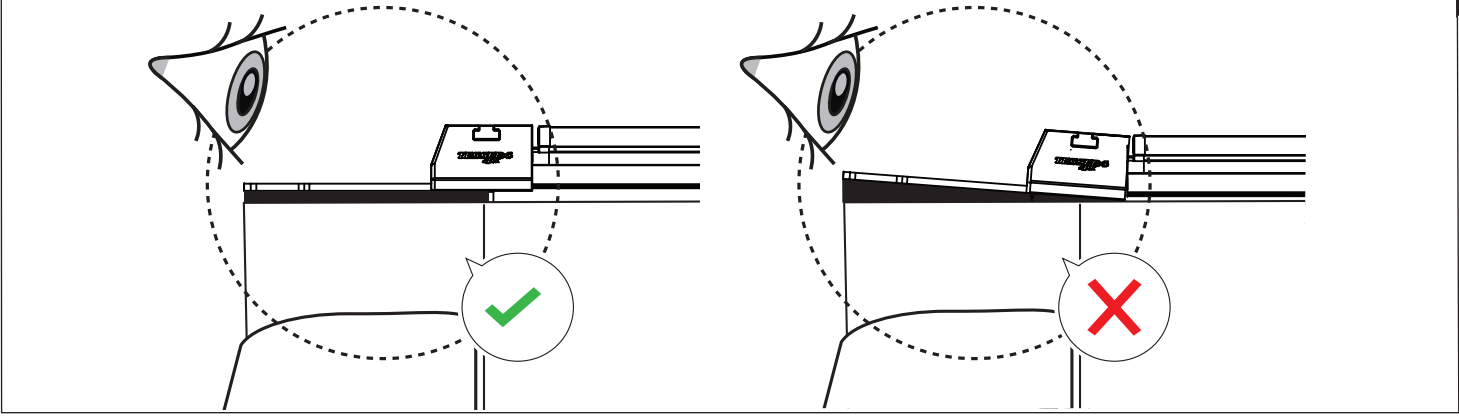
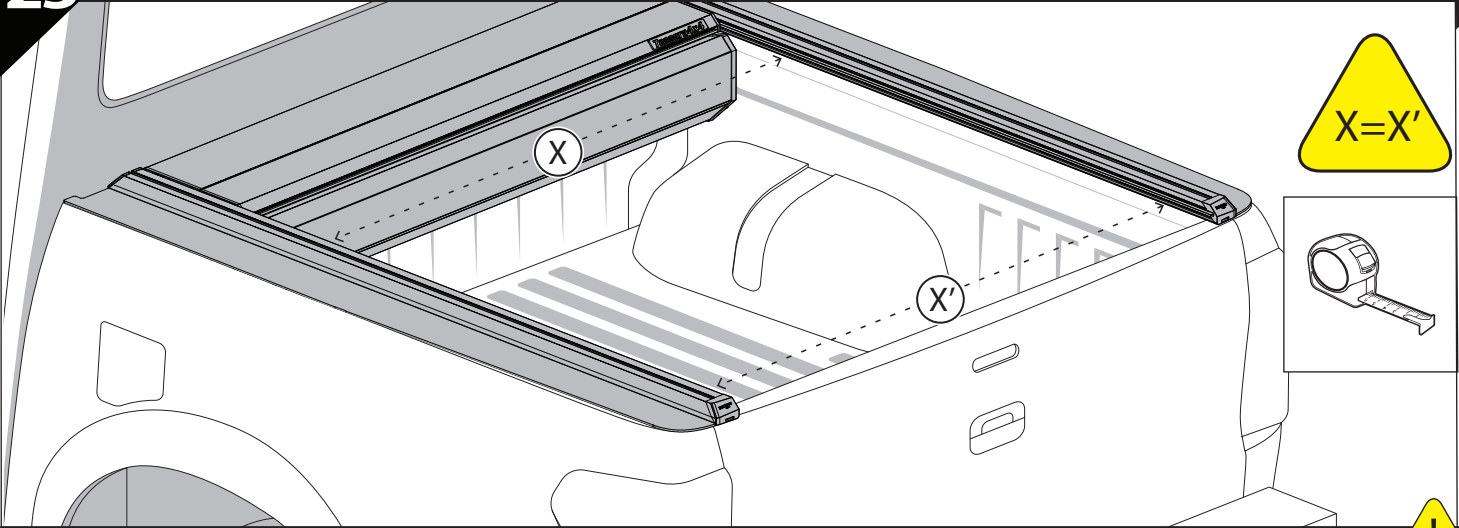




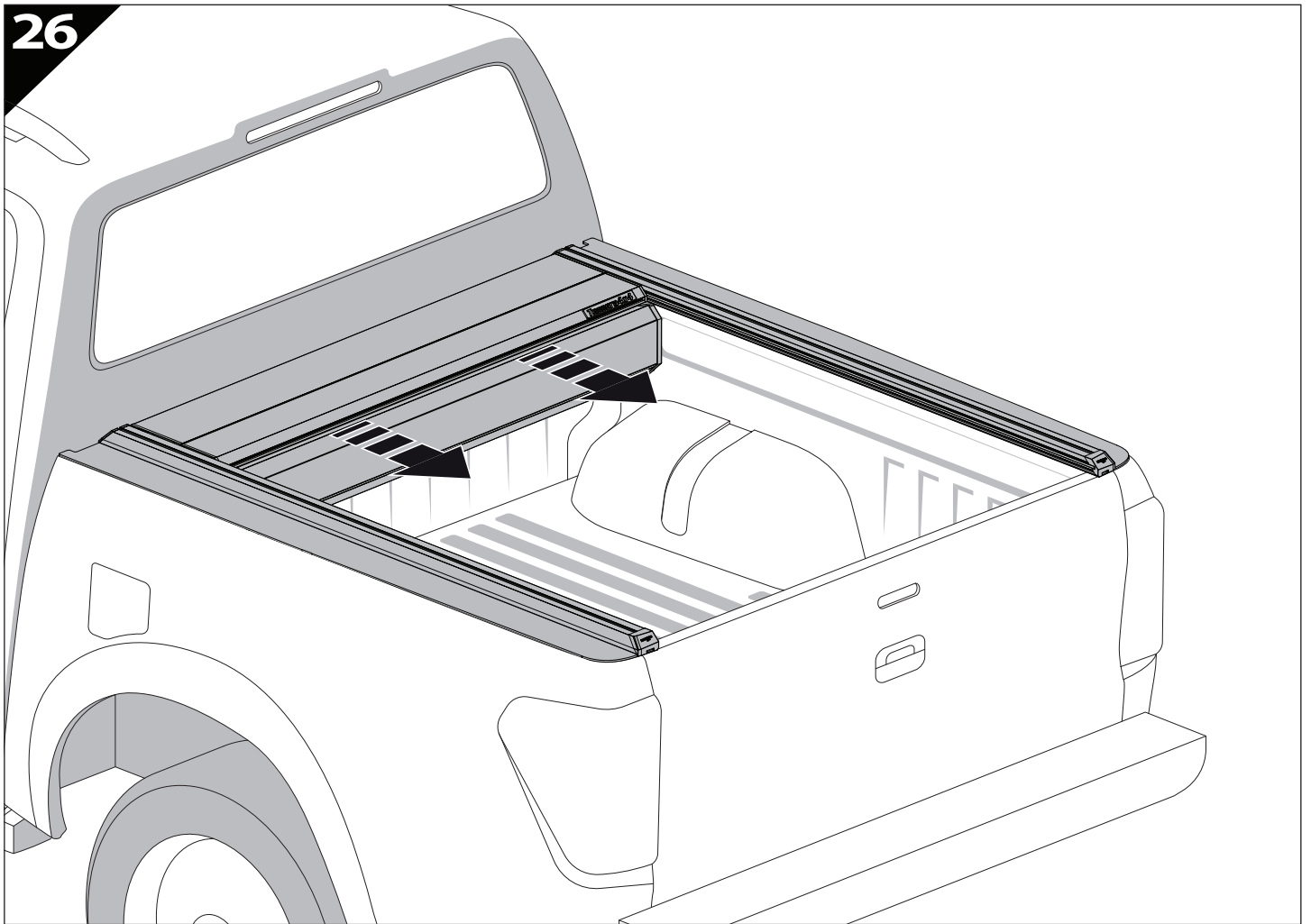
<p>H</p> <p>x6</p>	<p>E</p> <p>x6</p>	<p>13 mm</p>
---------------------------	---------------------------	--------------



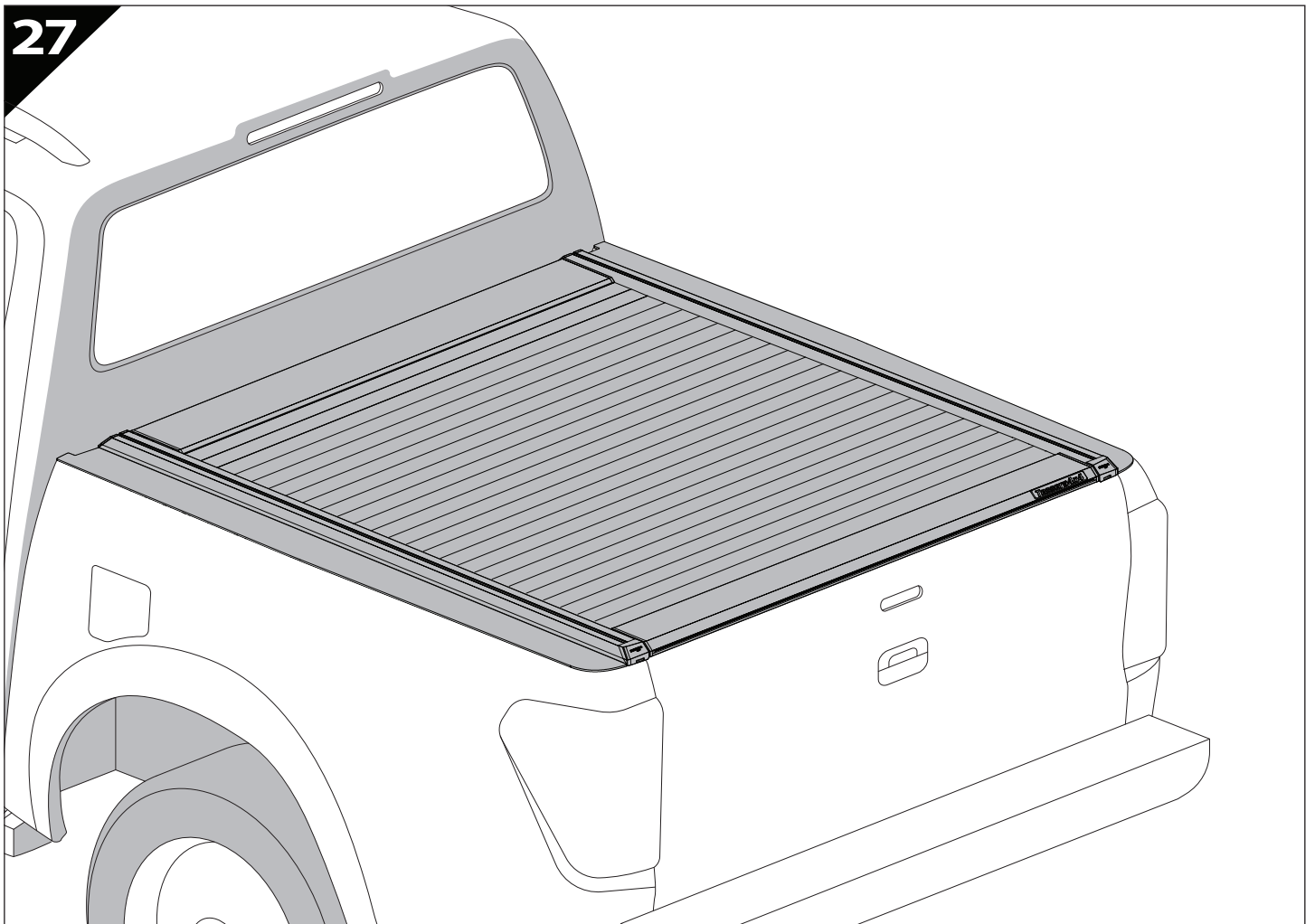
<p>H</p> <p>x6</p>	<p>E</p> <p>x6</p>	<p>13 mm</p>
---------------------------	---------------------------	--------------



26



27





GR: Οδηγίες Εγκατάστασης
GB: Installation manual
SF: Asennusohje
F: Notice de montage
PL: Instrukcja montażu
NL: Installatie-instructies
TR: Montaj Talimatı
S: Monteringsanvisning
E: Instrucciones de montaje

H: Szerelési utasítás
P: Instruções de instalação
RUS: Инструкция по установке
N: Monteringsveiledning
D: Einbauanleitung
CZ: Návod k instalaci
I: Istruzioni de montaggio
DK: Monteringsvejledning
RO: Instructiuni de instalare

Customer Service:

+30 (210) 5541161, +30 (210) 5541154 (08:00 - 16:00 EET)

Support department:

info@gianso.gr

Website:

www.tessera4x4.com

Address:

19.5 km of National road Athens-Korinthos (Elefsina) Greece, P.C: 19200