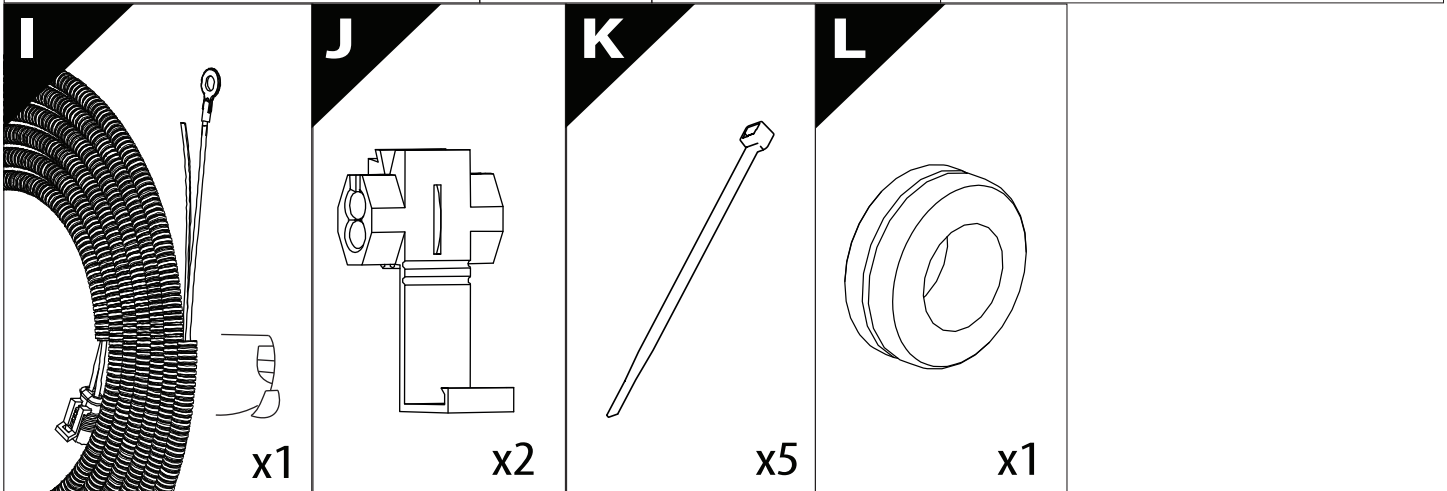
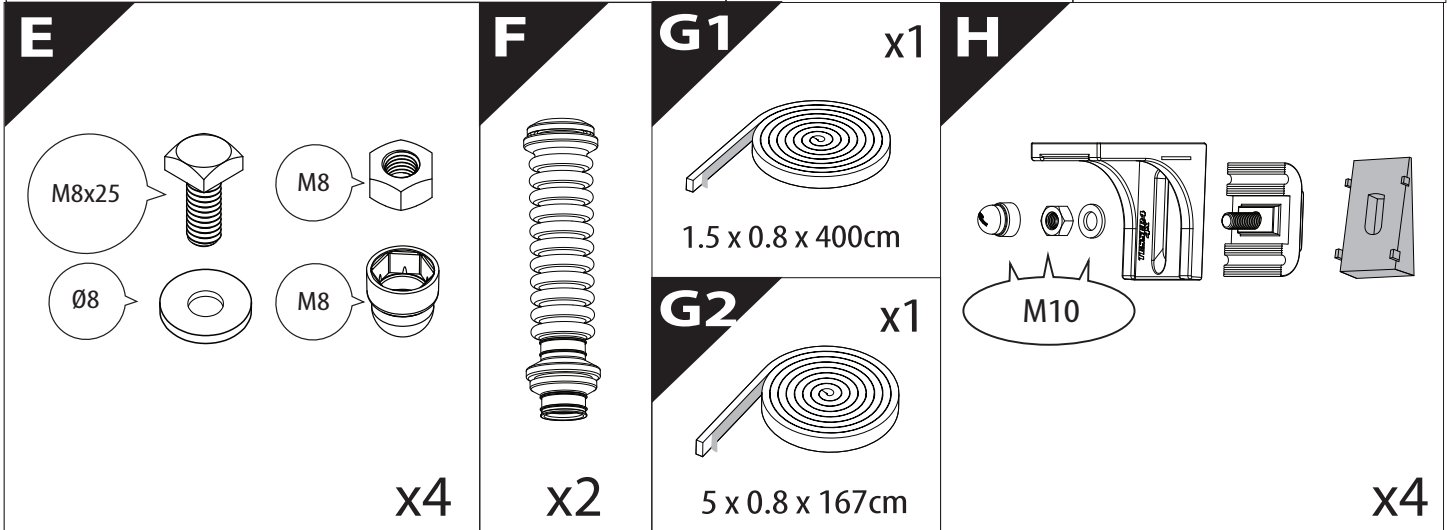
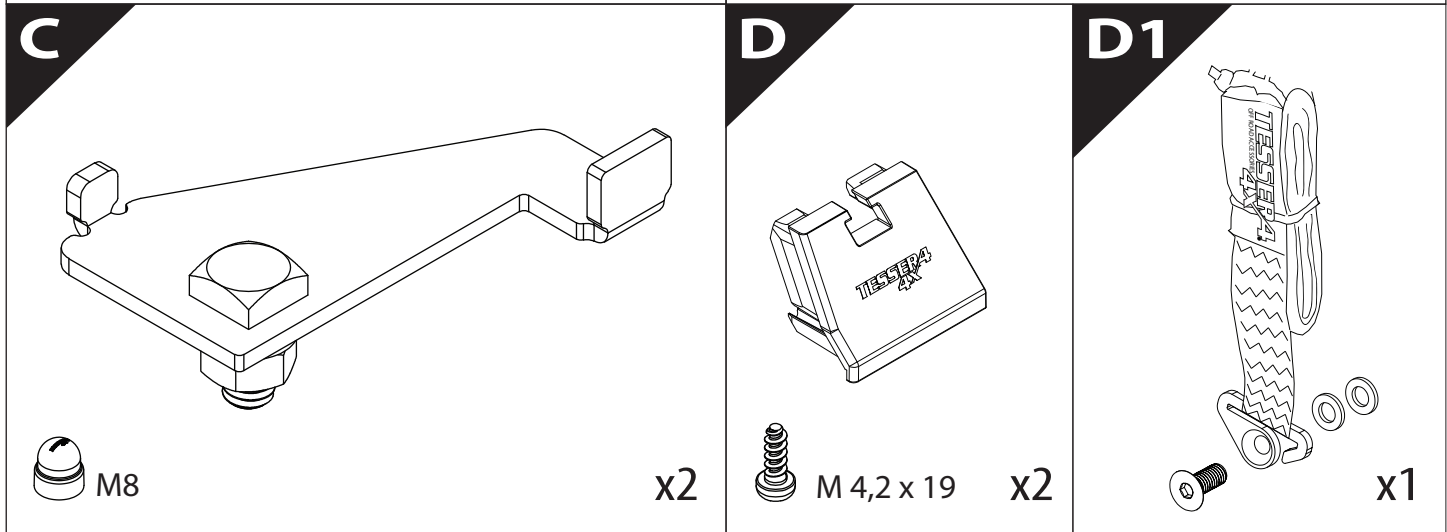
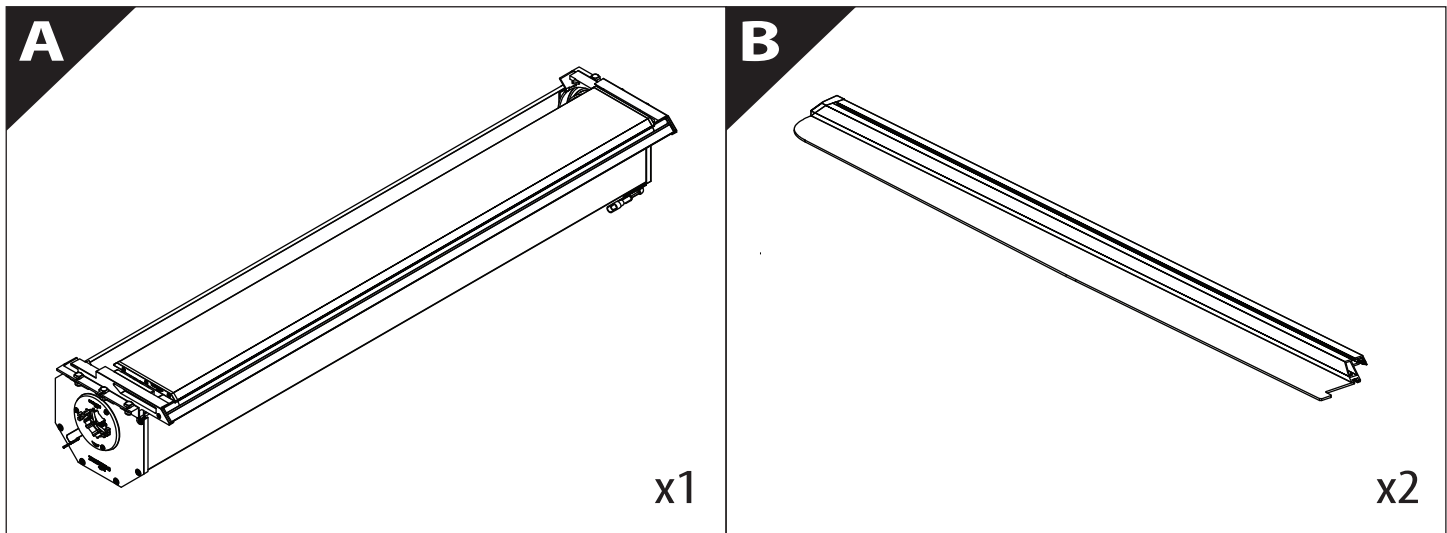
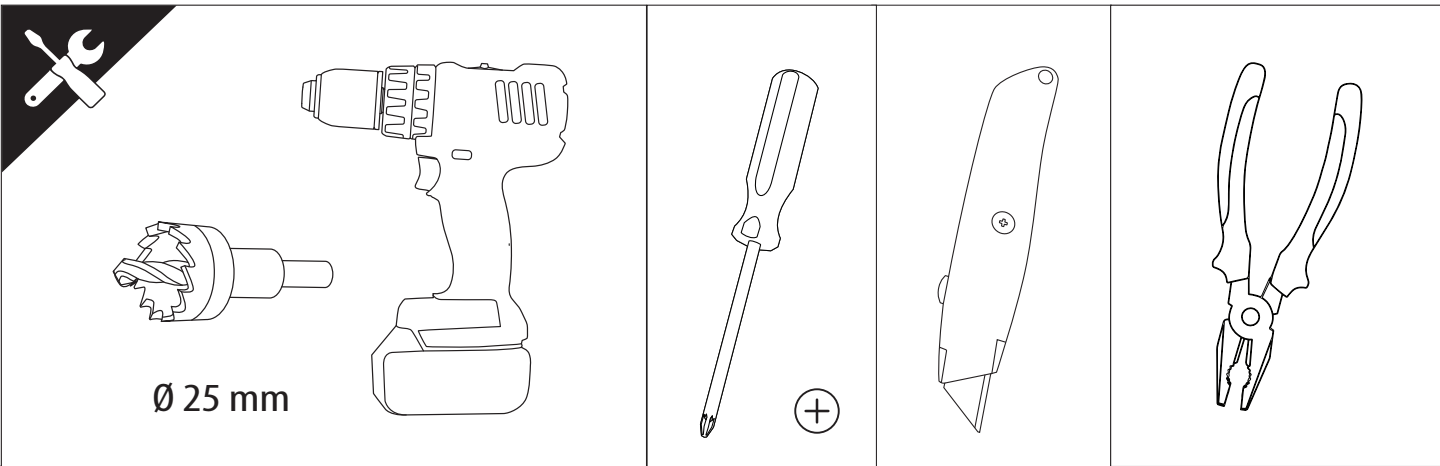


# Installation Manual

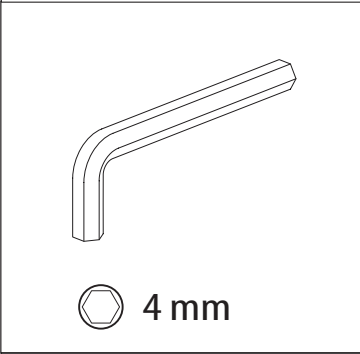
PART NUMBER(S)		Model Year
TESS 1523 SE	TESS 1623 SE+	EVO Cross 4 / Jac T8 Pro / Dr PK 8
Cab(s)		Installation Time / Weight
Double Cab		40-60 minutes / 53-57 kg



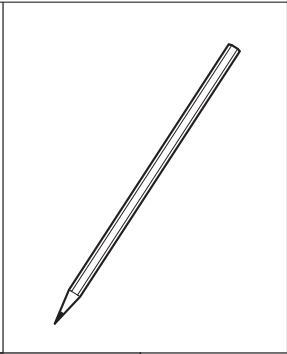


Ø 25 mm

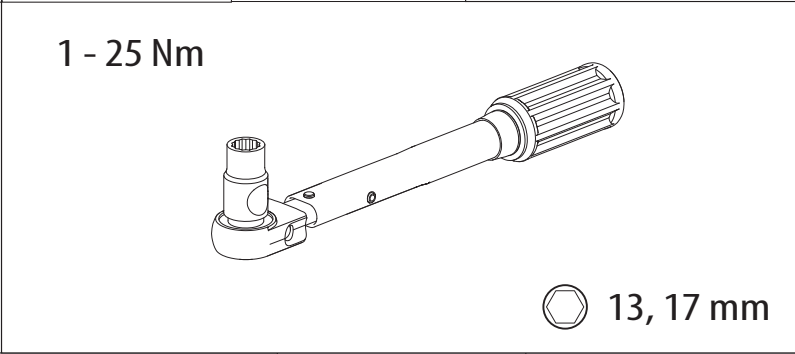
+



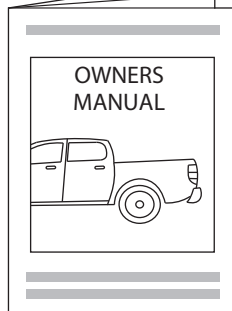
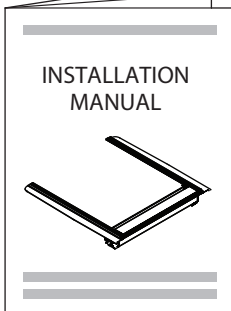
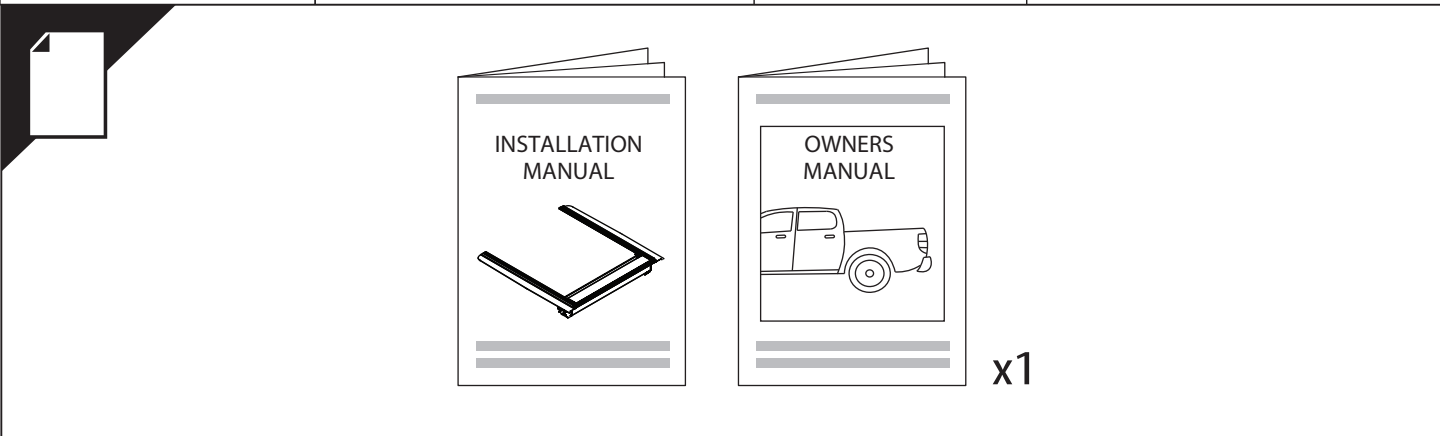
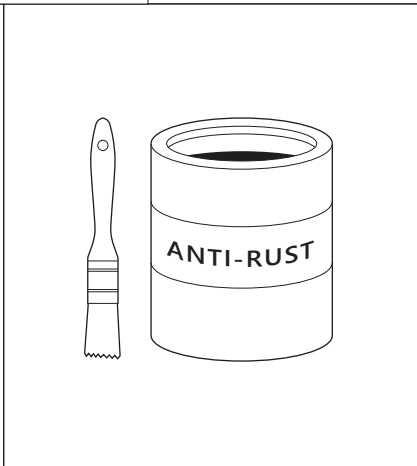
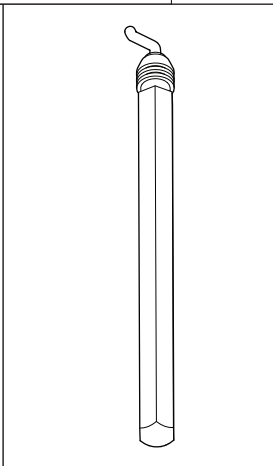
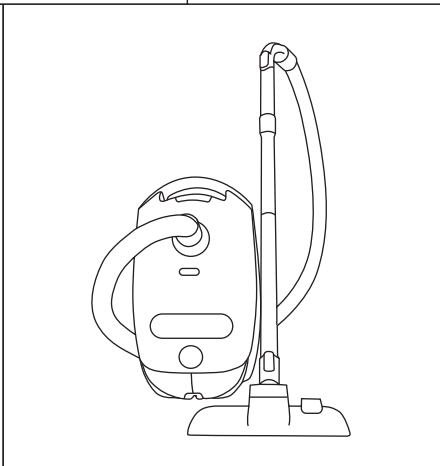
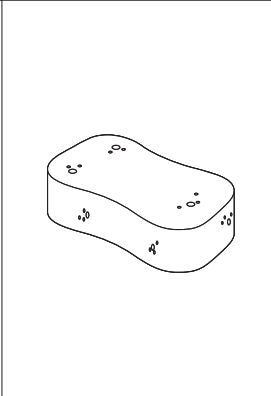
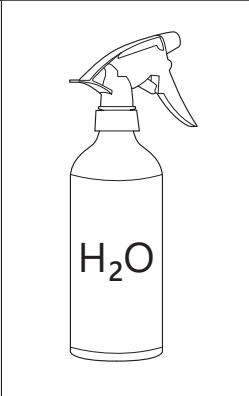
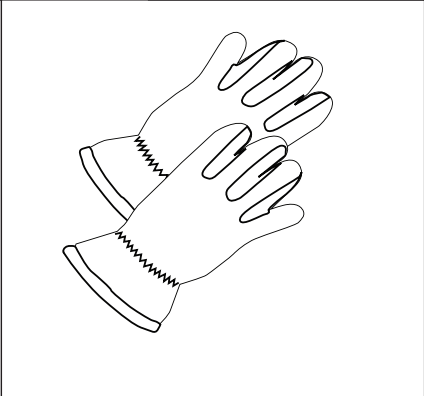
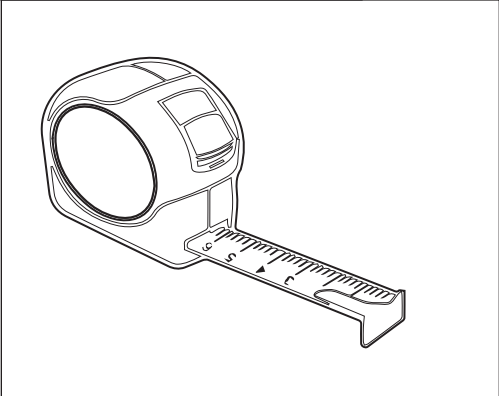
4 mm



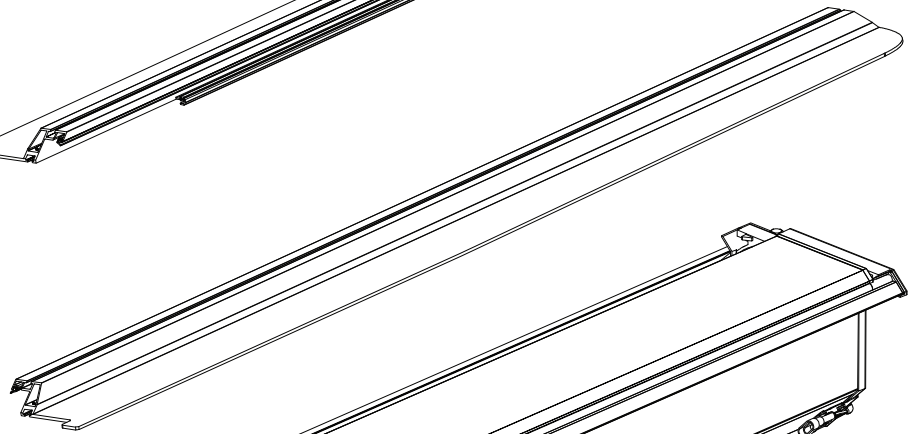
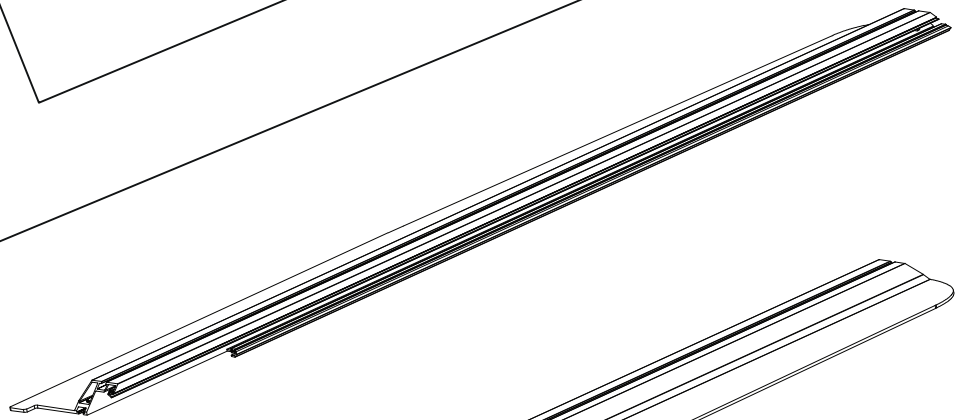
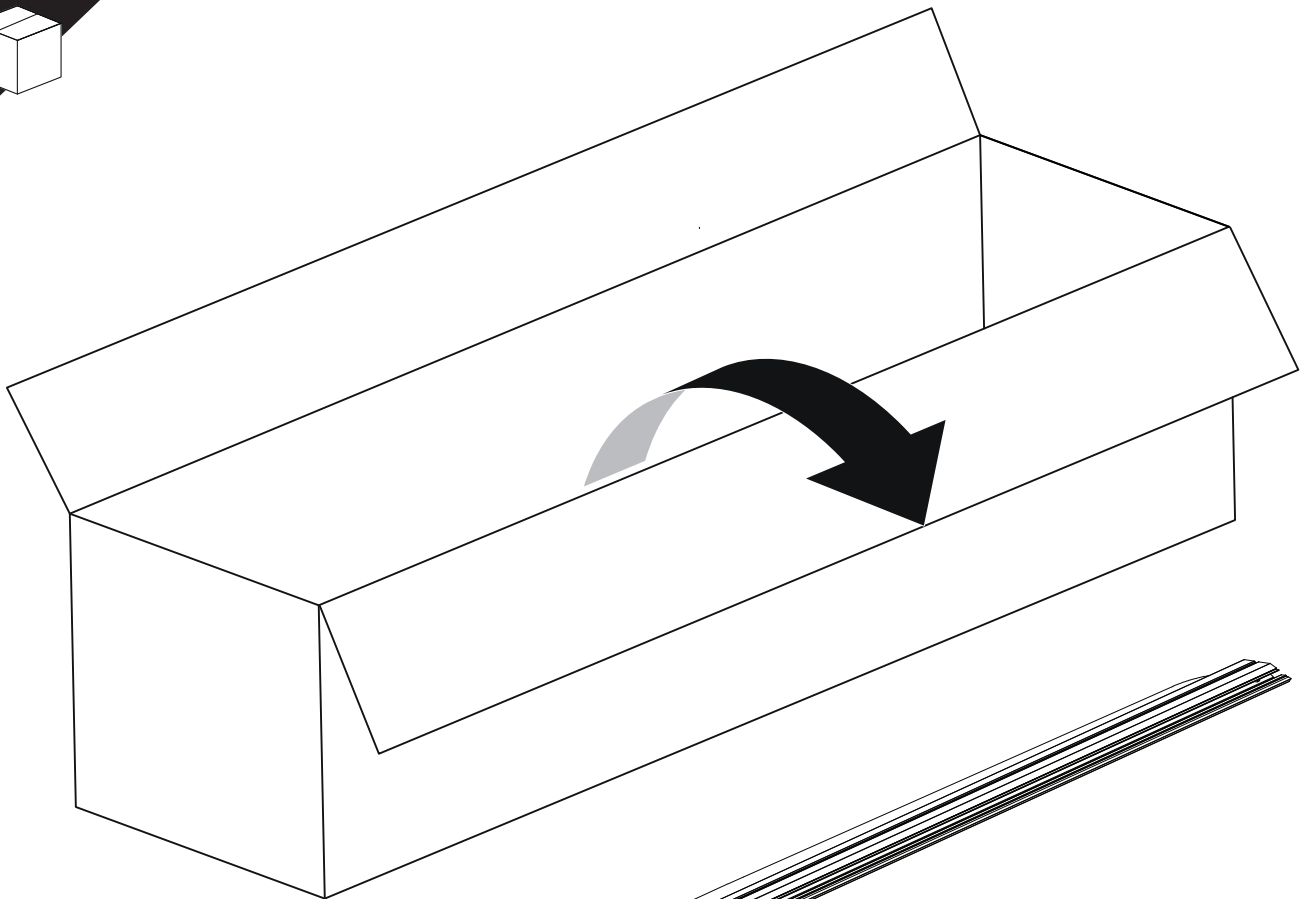
1 - 25 Nm



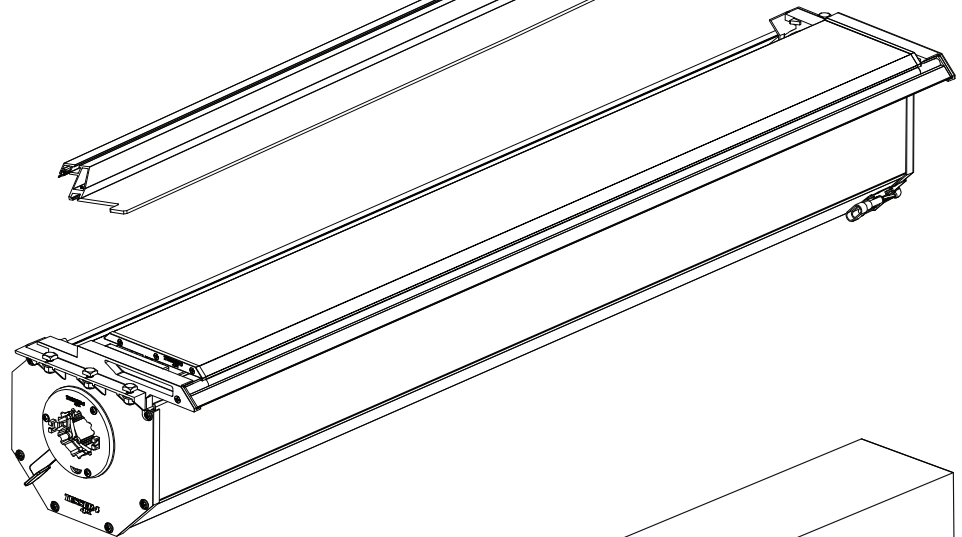
13, 17 mm



x1

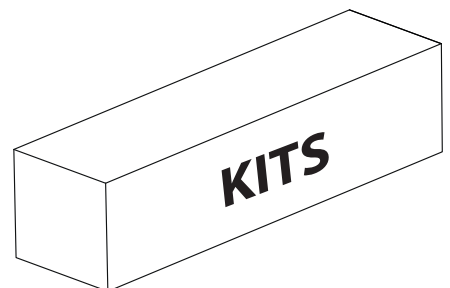


**B**

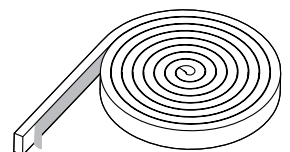


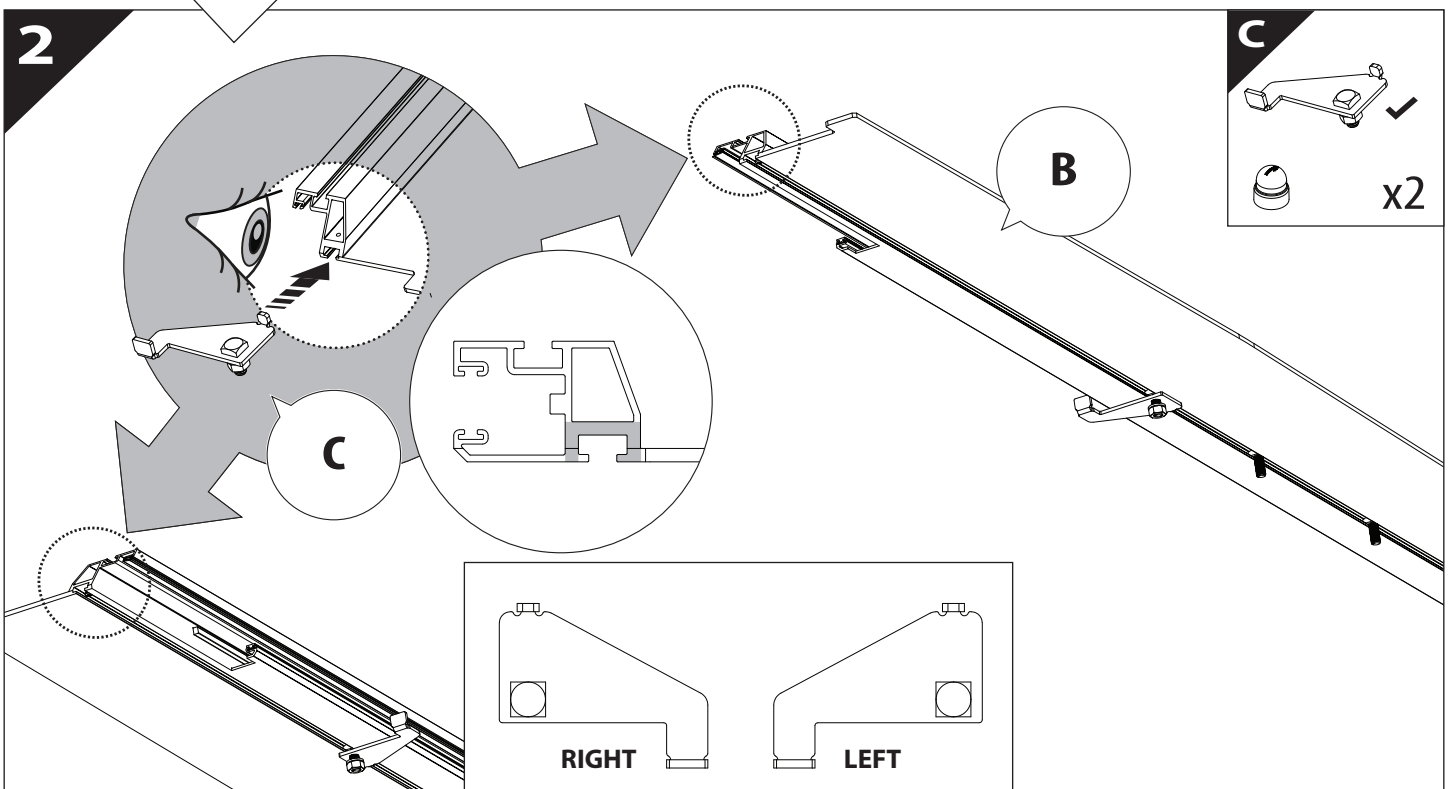
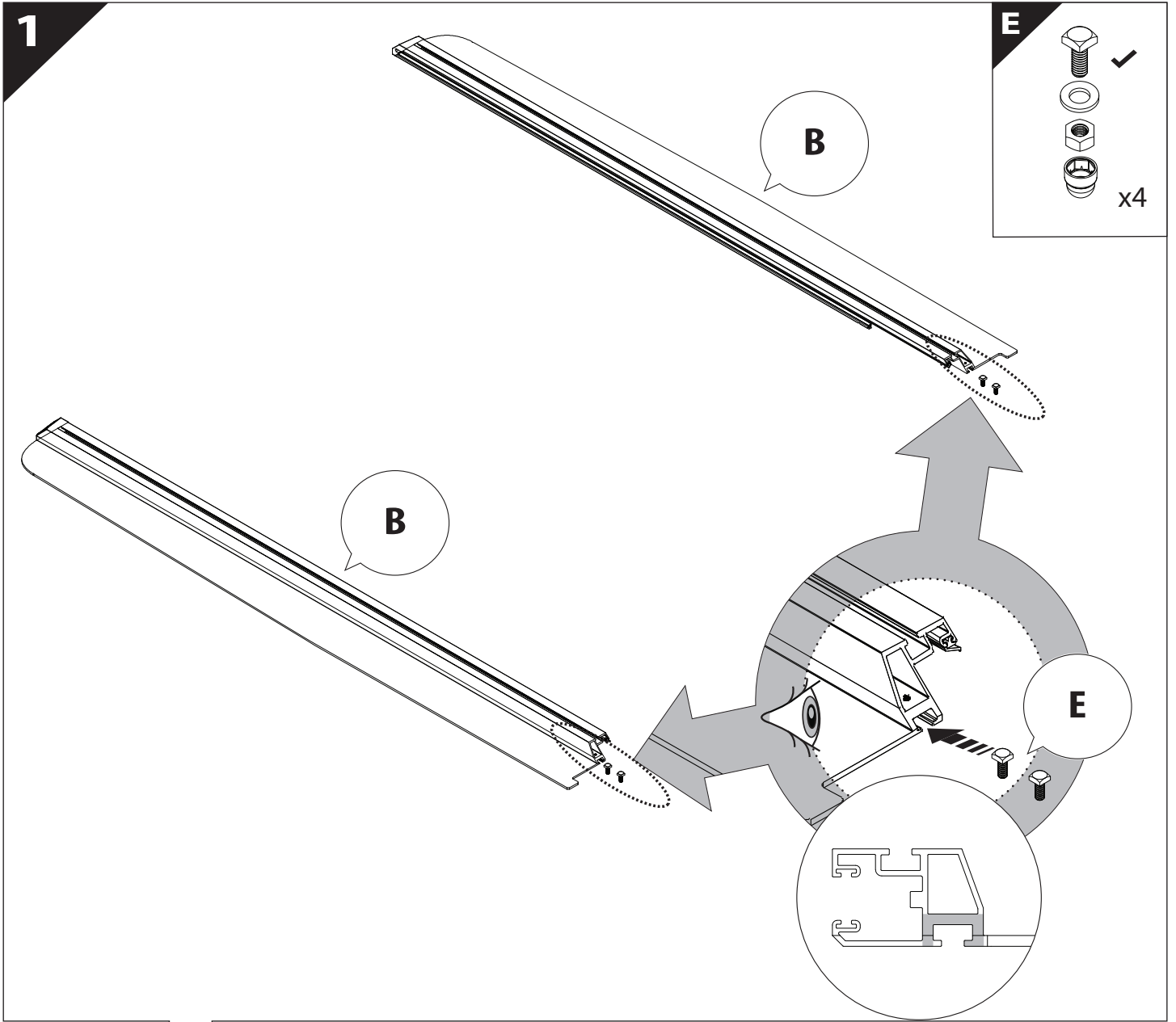
**A**

**KITS**

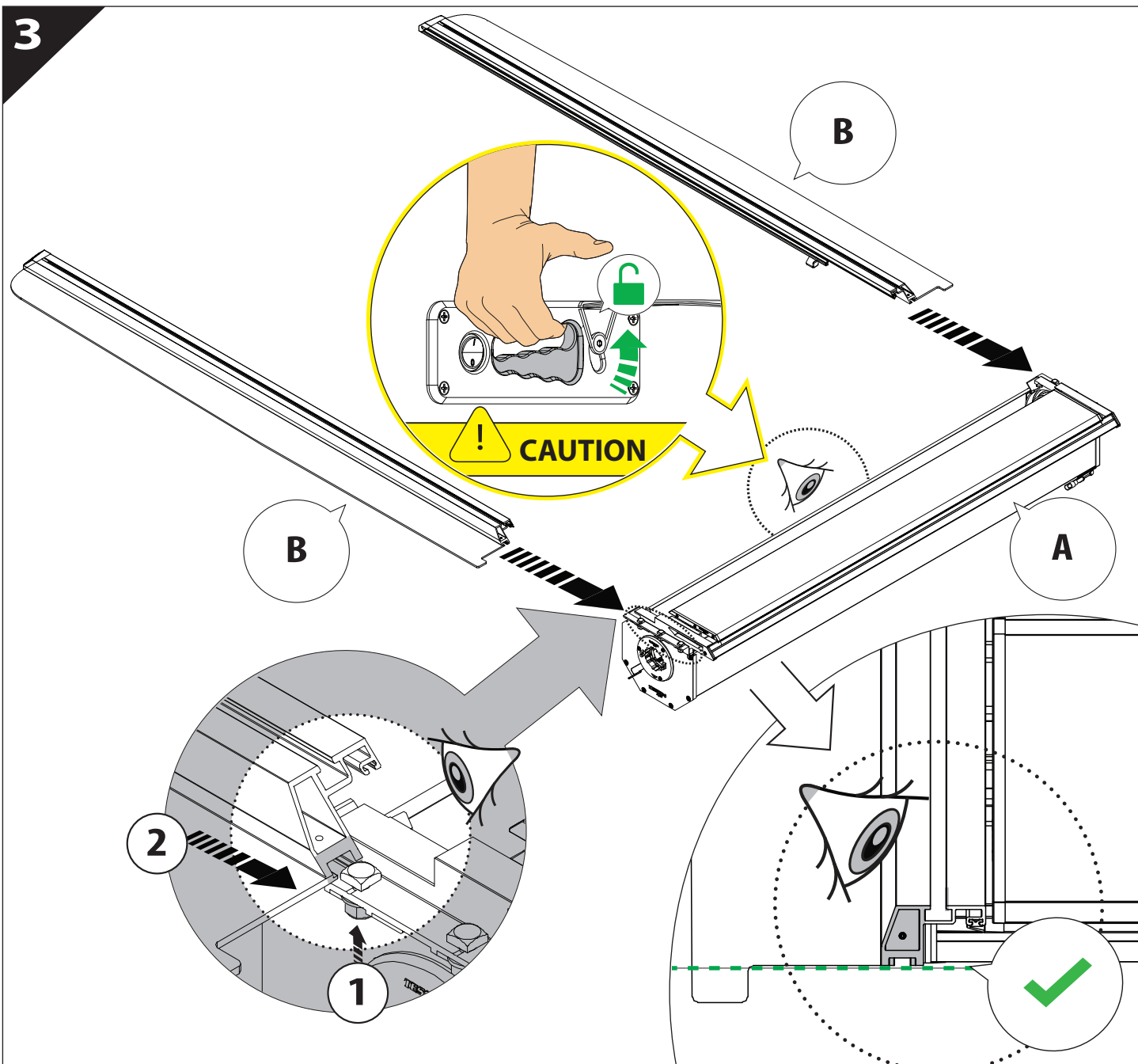


**G**

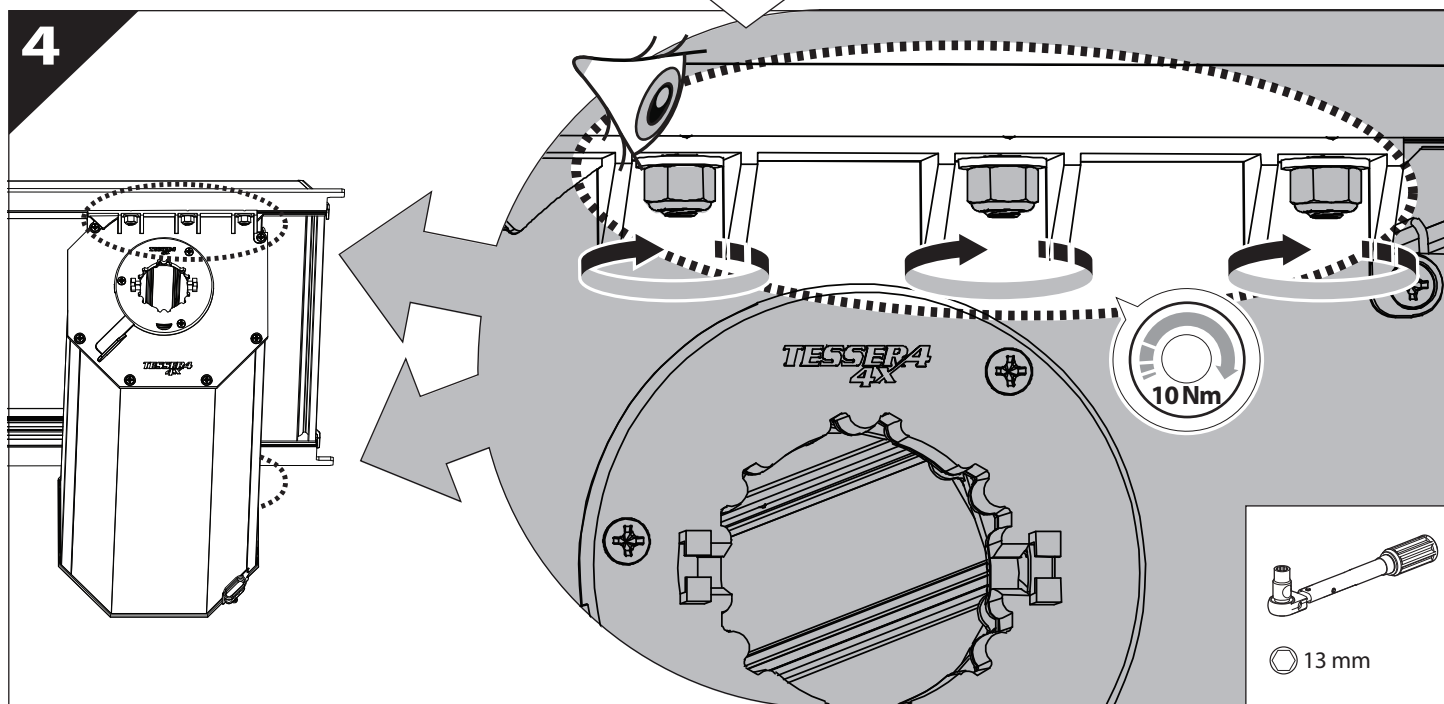


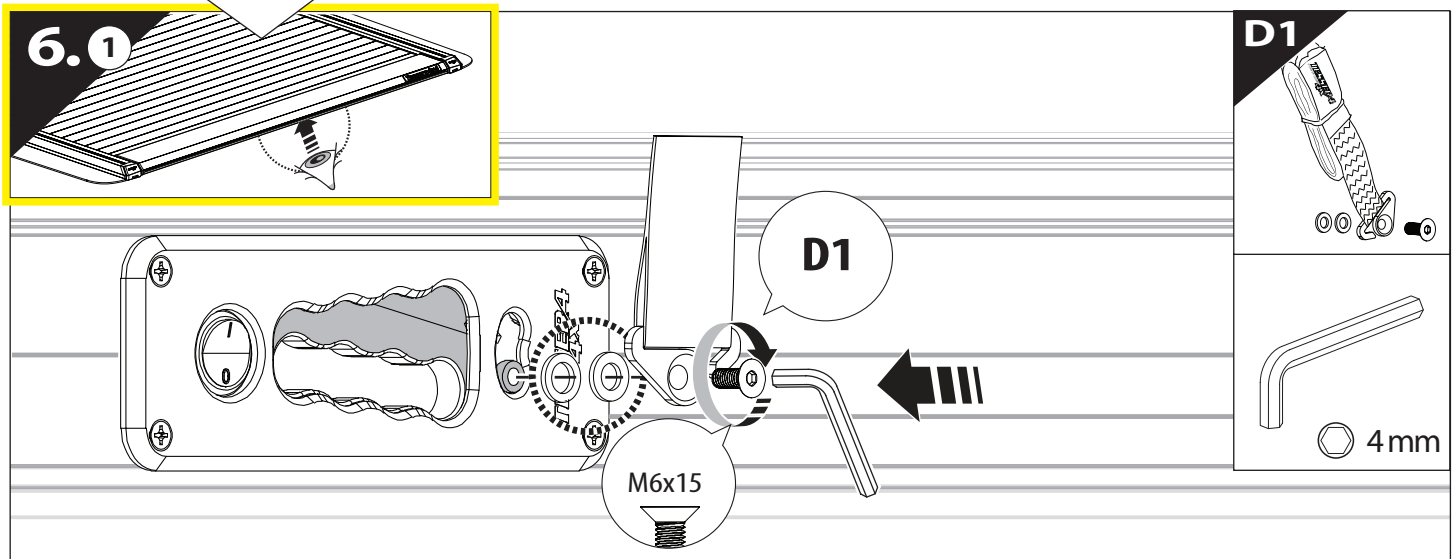
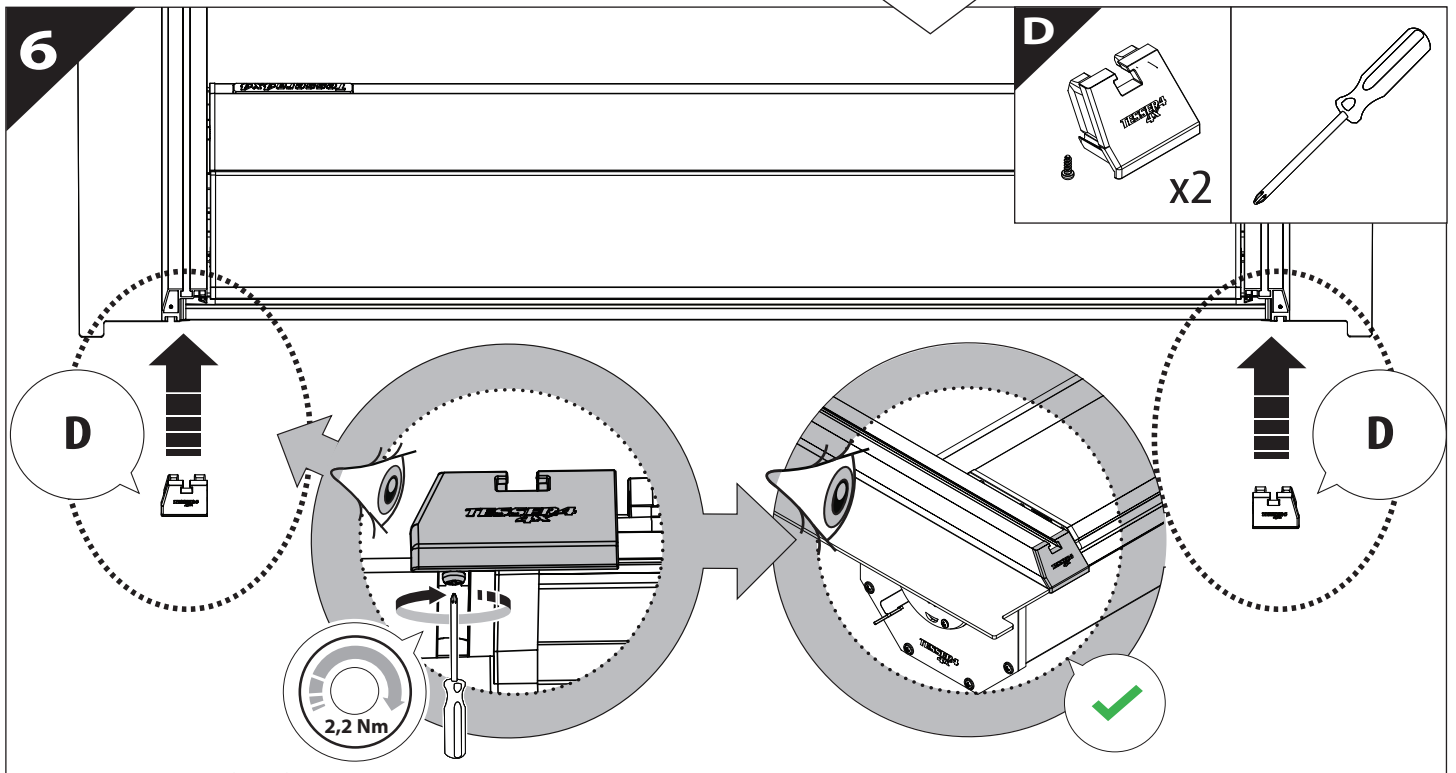
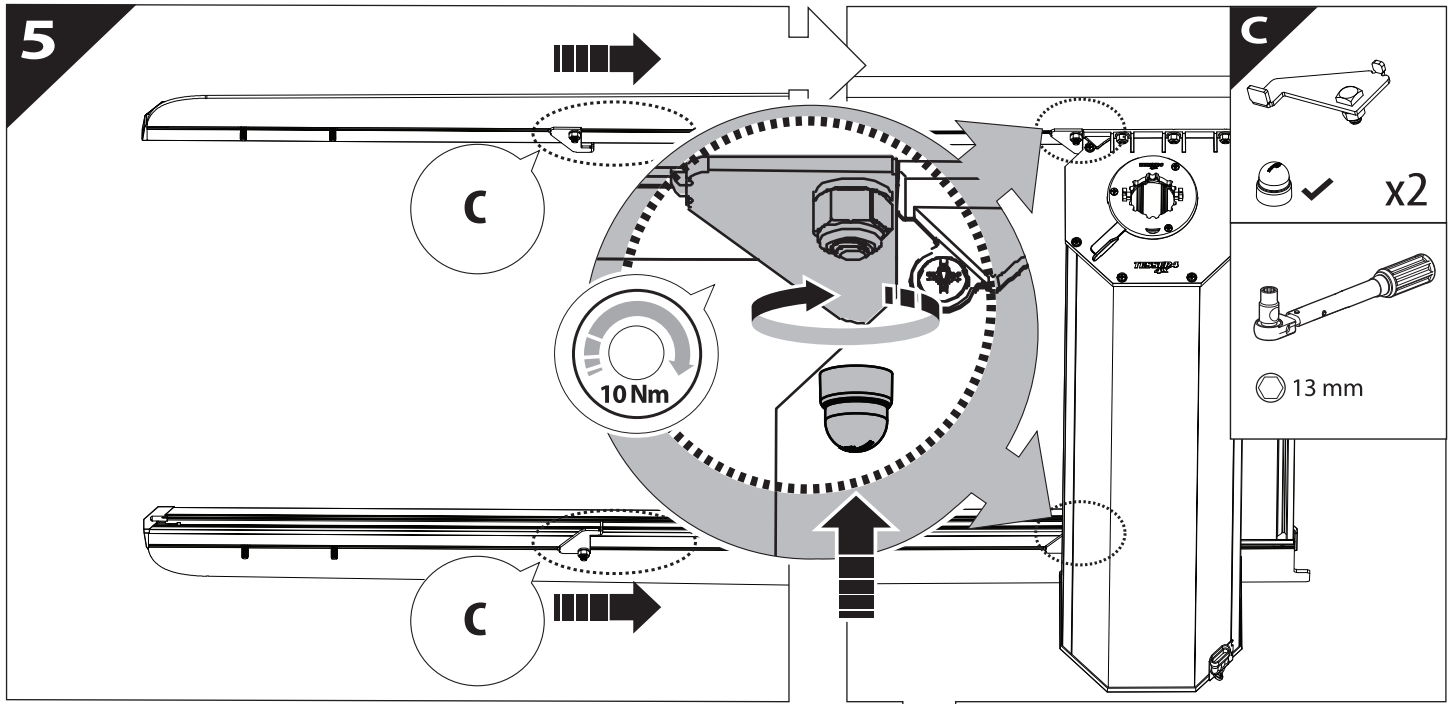


3

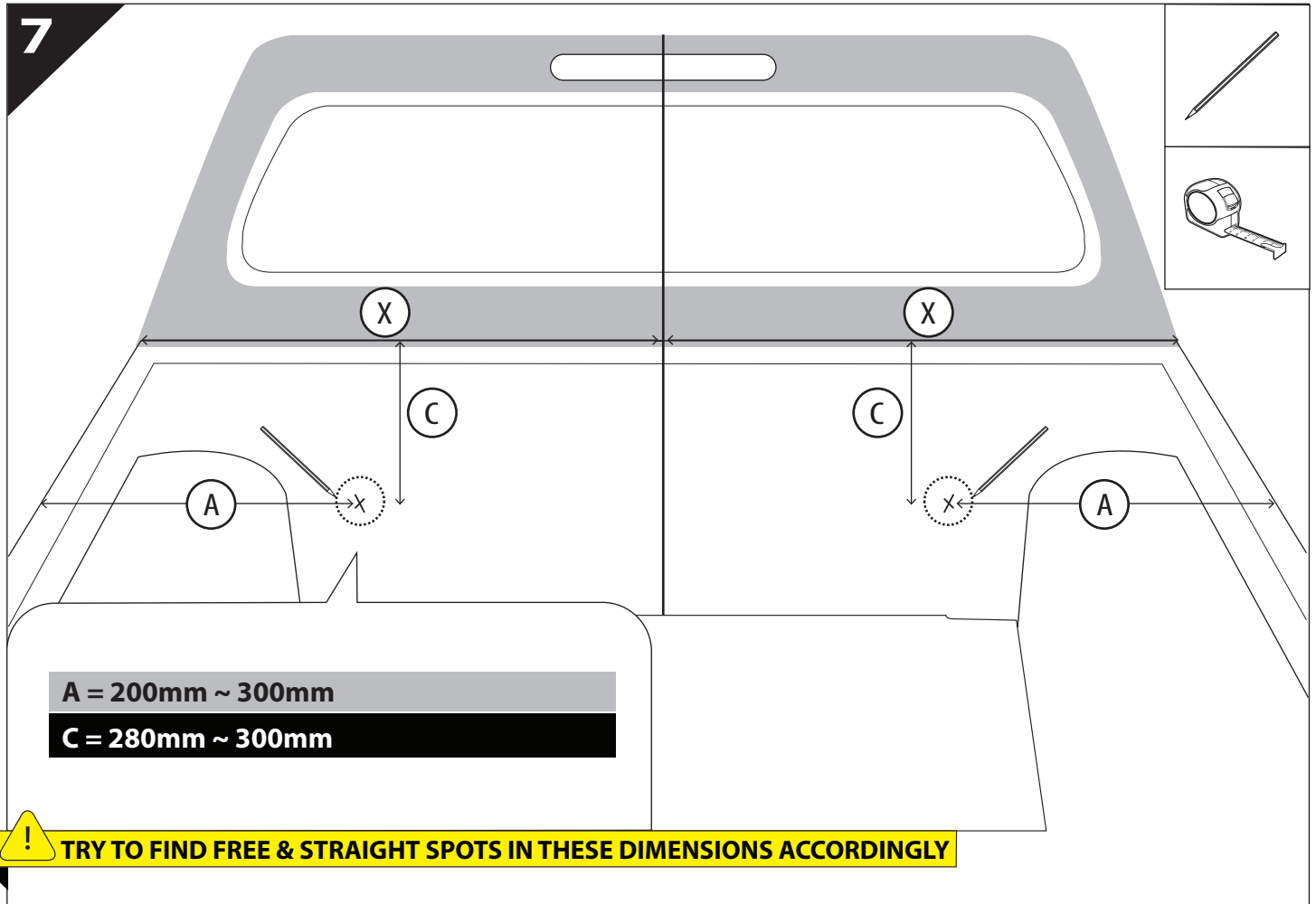


4





7



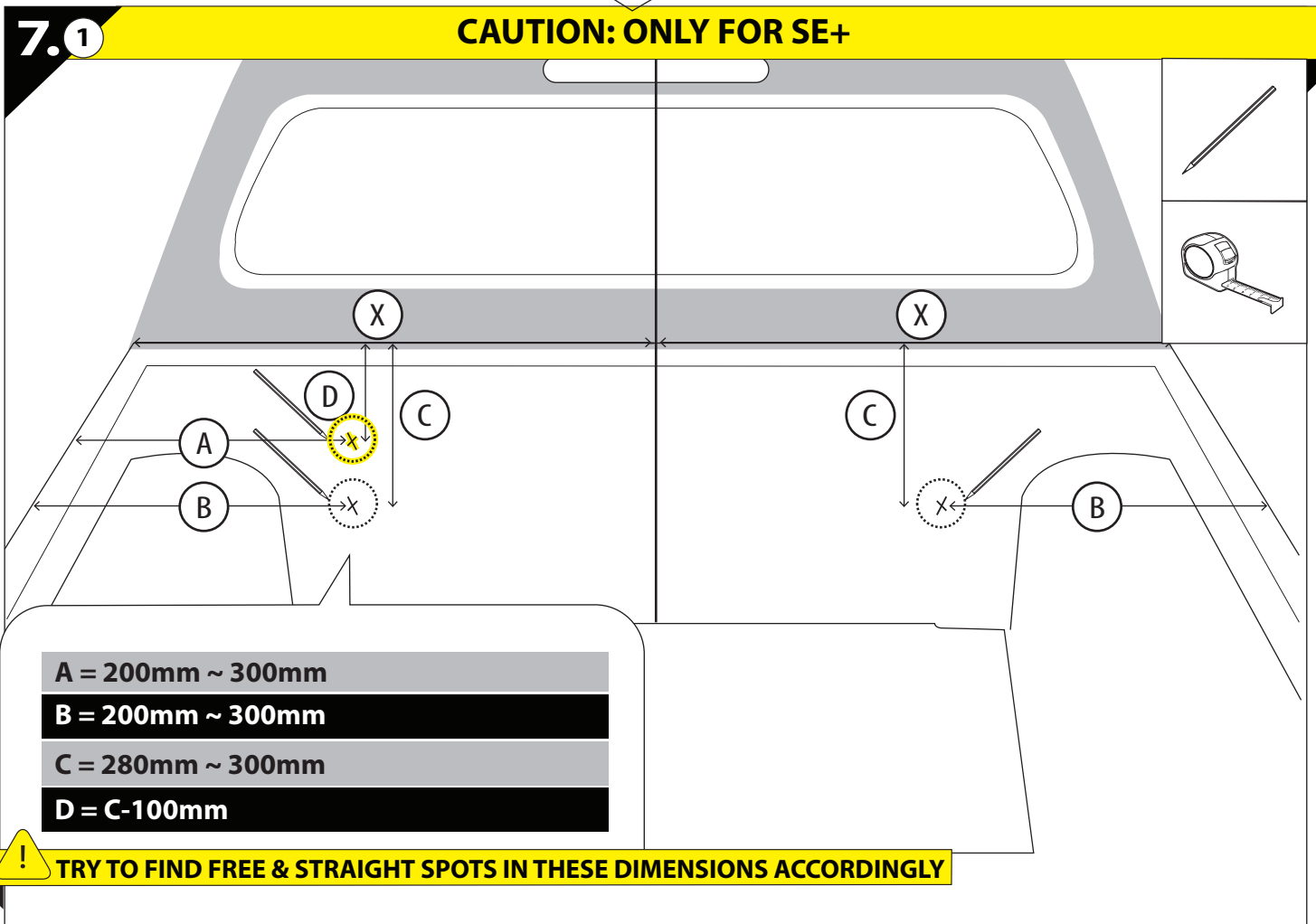
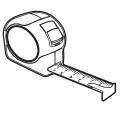
A = 200mm ~ 300mm

C = 280mm ~ 300mm

**! TRY TO FIND FREE & STRAIGHT SPOTS IN THESE DIMENSIONS ACCORDINGLY**

7.1

**CAUTION: ONLY FOR SE+**



A = 200mm ~ 300mm

B = 200mm ~ 300mm

C = 280mm ~ 300mm

D = C-100mm

**! TRY TO FIND FREE & STRAIGHT SPOTS IN THESE DIMENSIONS ACCORDINGLY**

8

CAUTION

CAUTION

max: 2 mm

5 mm

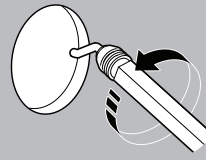
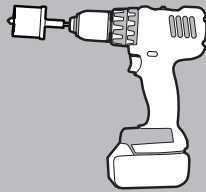
CAUTION: ONLY FOR SE+



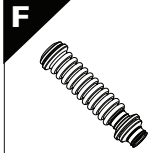
Ø 25 mm



Rust Protection

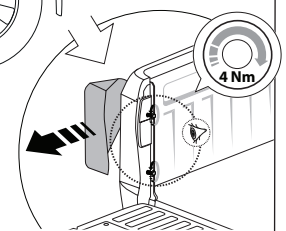
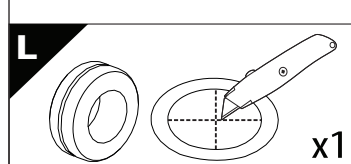
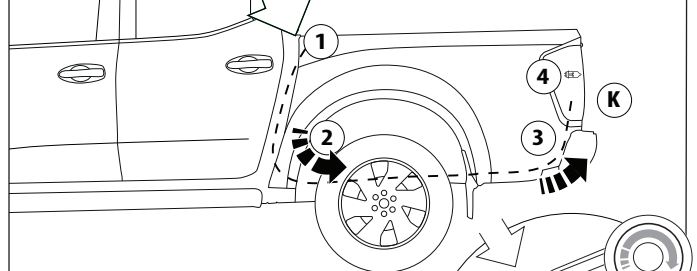
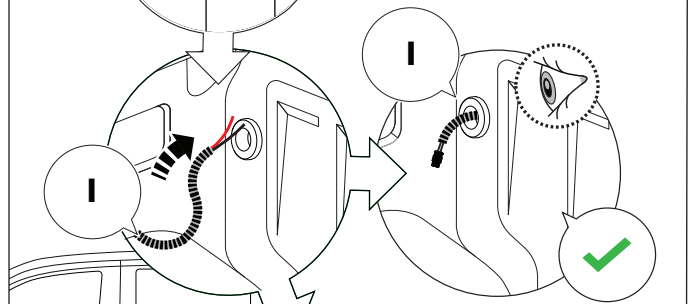
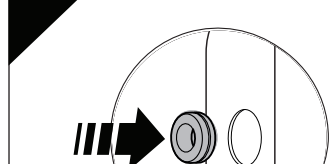
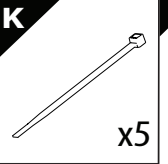
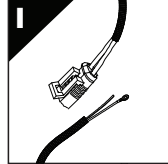


9



10

CAUTION: ONLY FOR SE+



# 11

	CAR	TESSERA SE+
BEAM:	LIGHT SIGNAL ↔	
		OR
BRAKE:	LIGHT SIGNAL ↔	

**CONSULT YOUR VEHICLE ENGINEER OR A QUALIFIED ELECTRICIAN TO LOCATE AND CONNECT THE GROUND WIRE.**

# 12

ACETONE

G1

1

2

G1

# 13

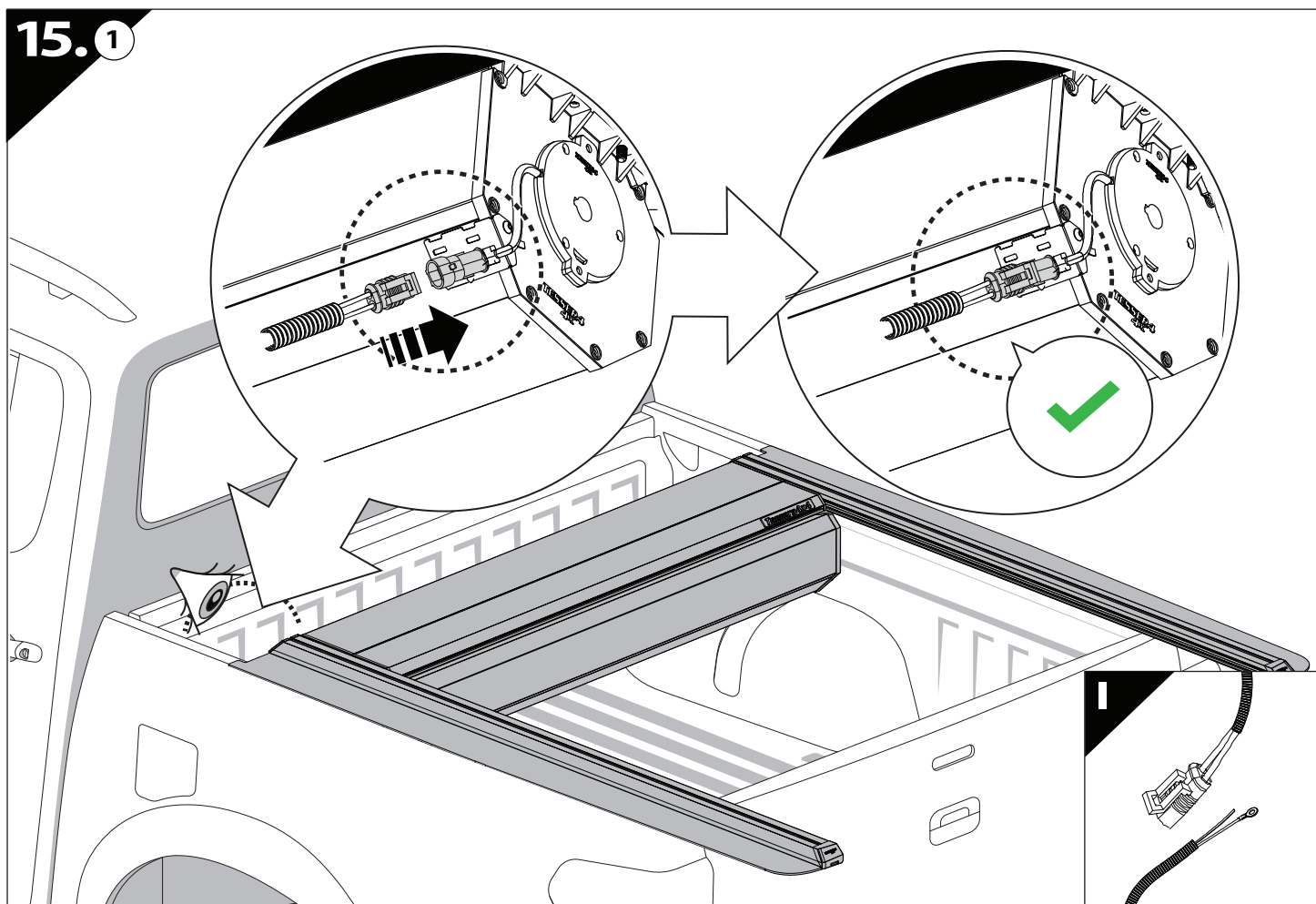
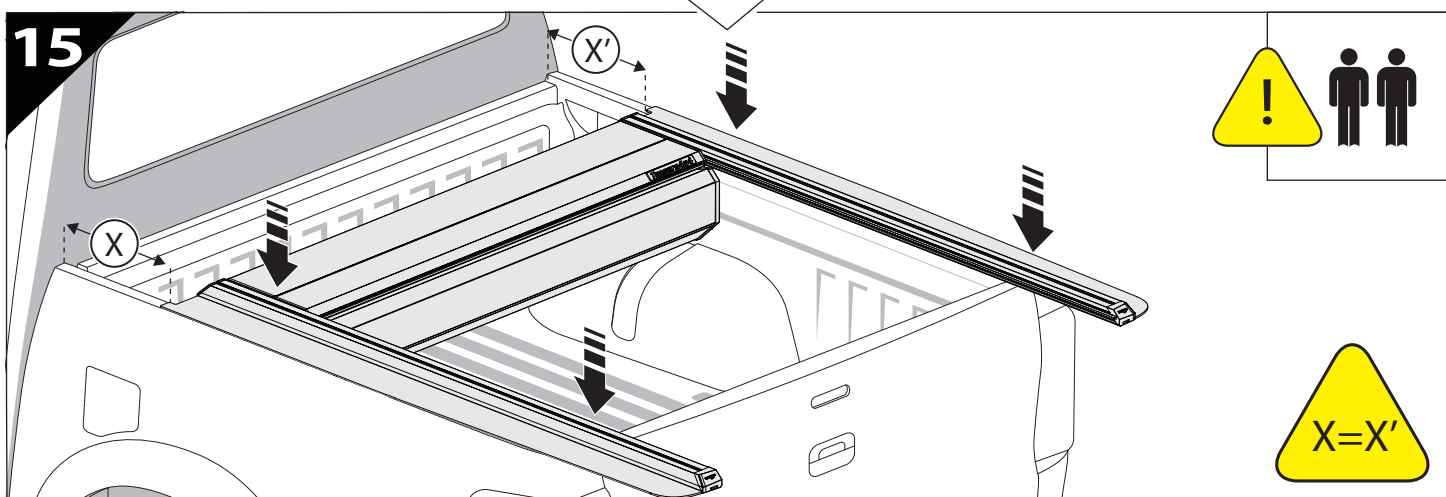
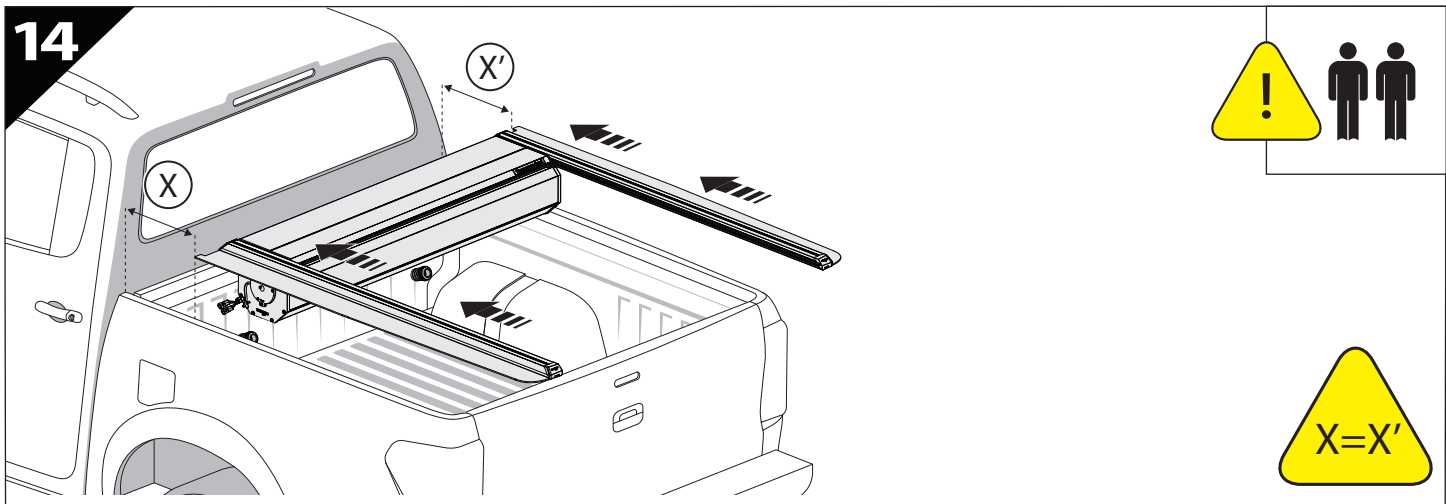
3

G2

G2

3

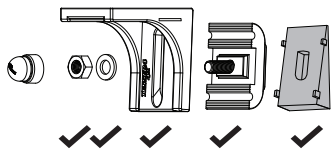
G2





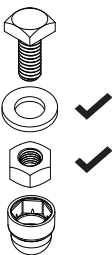
19

H



x4

E



3 mm

CAUTION !

8 mm

85 mm

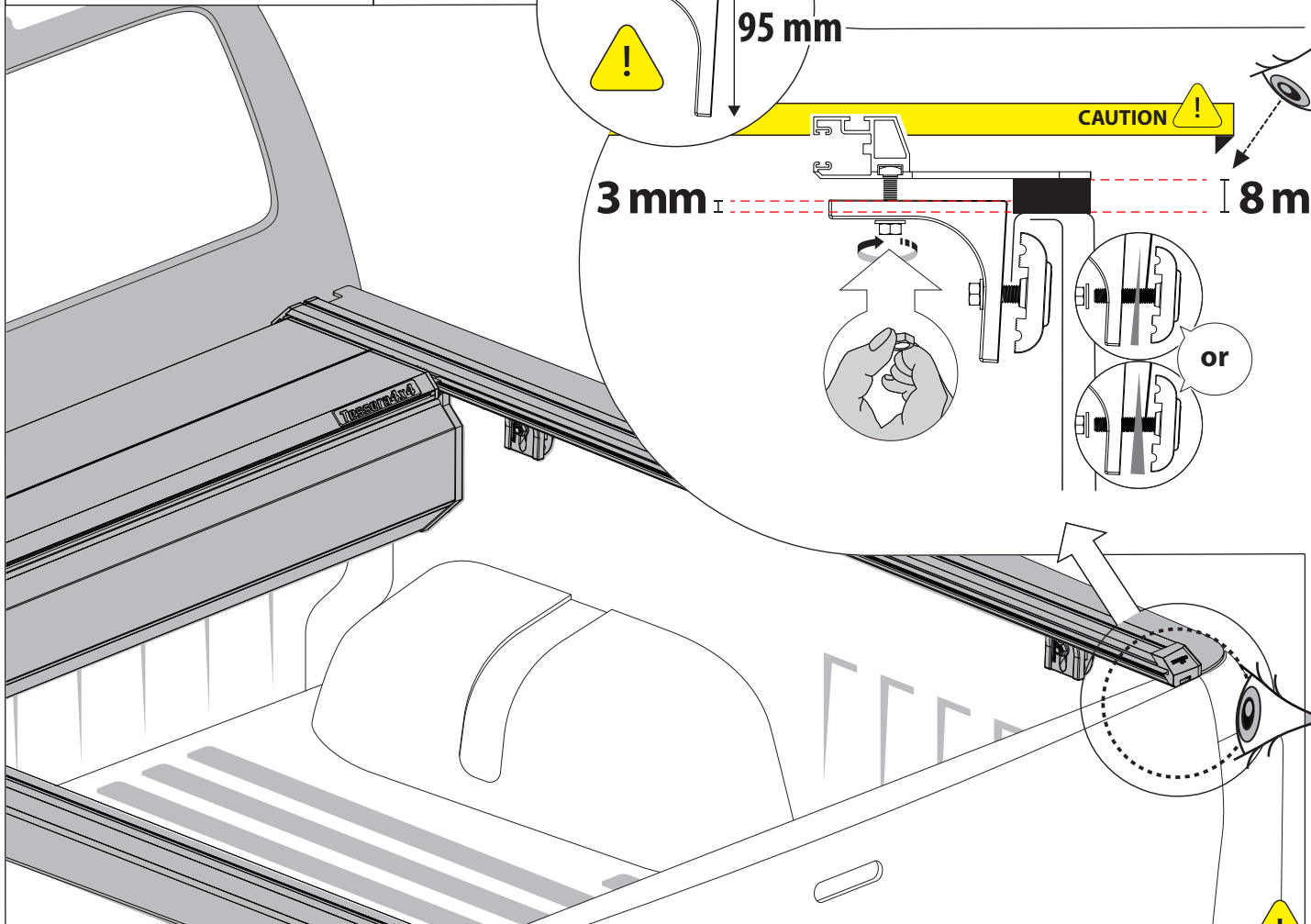
95 mm



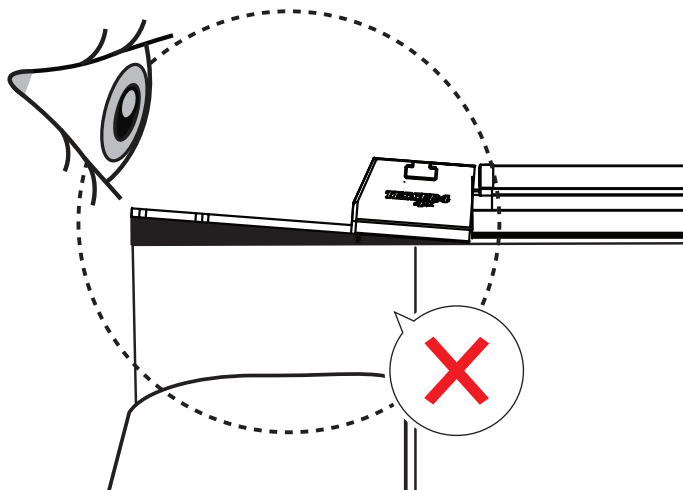
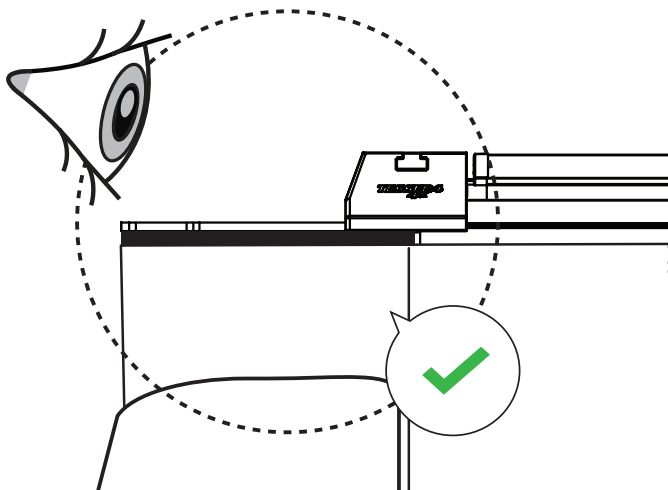
CAUTION !

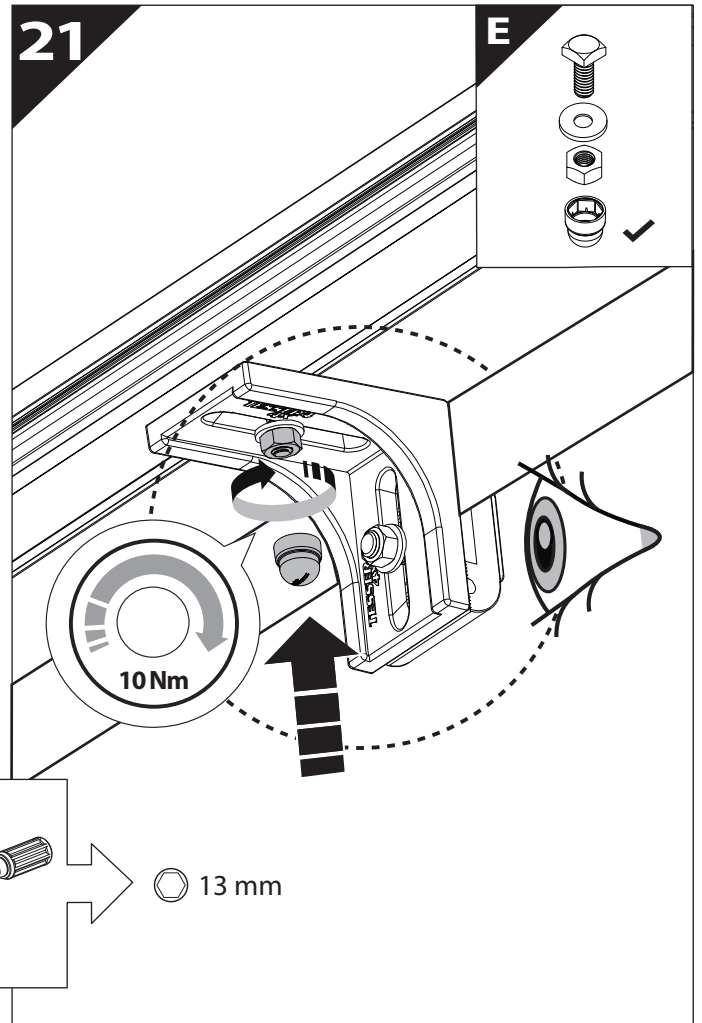
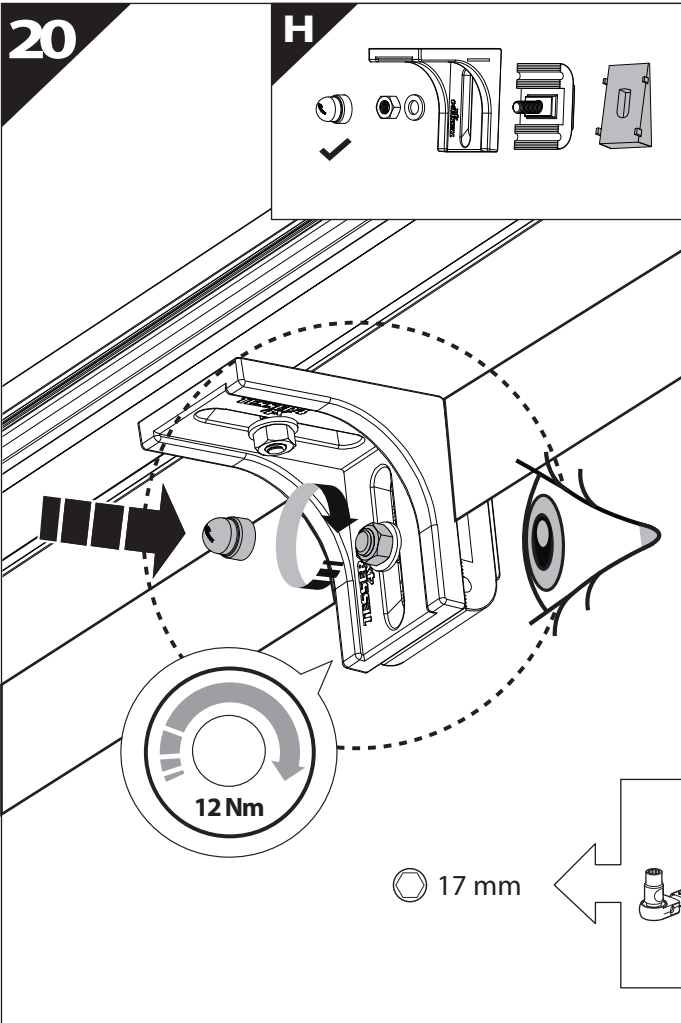
3 mm

8 mm

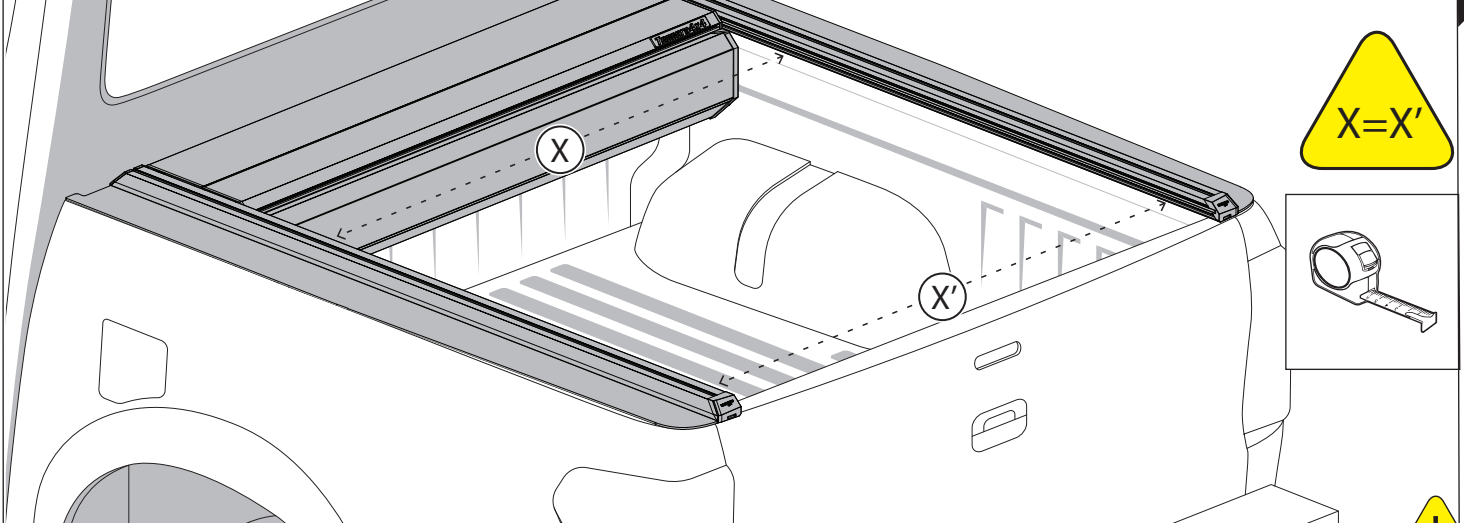


CAUTION !

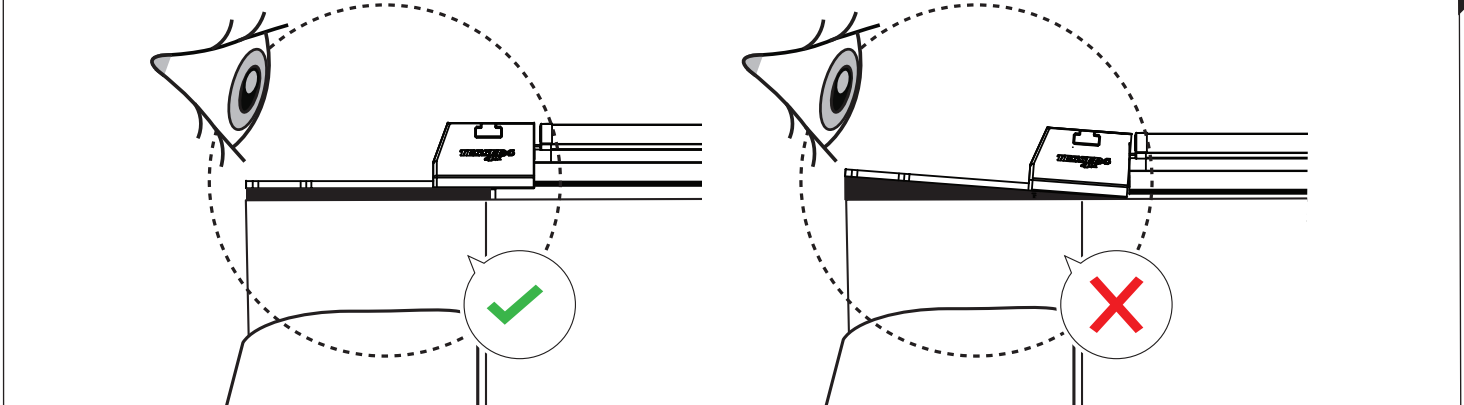




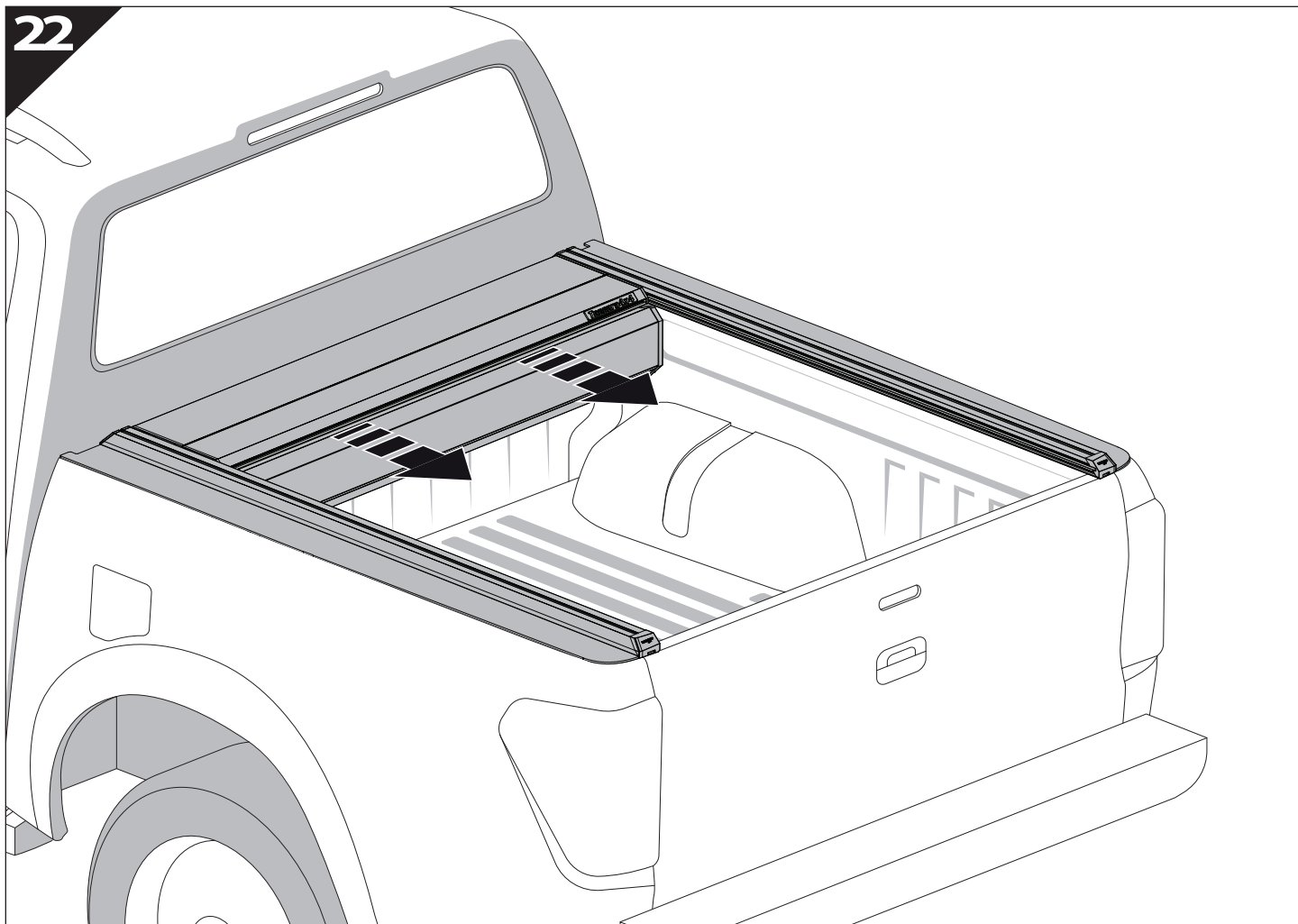
**CAUTION** !



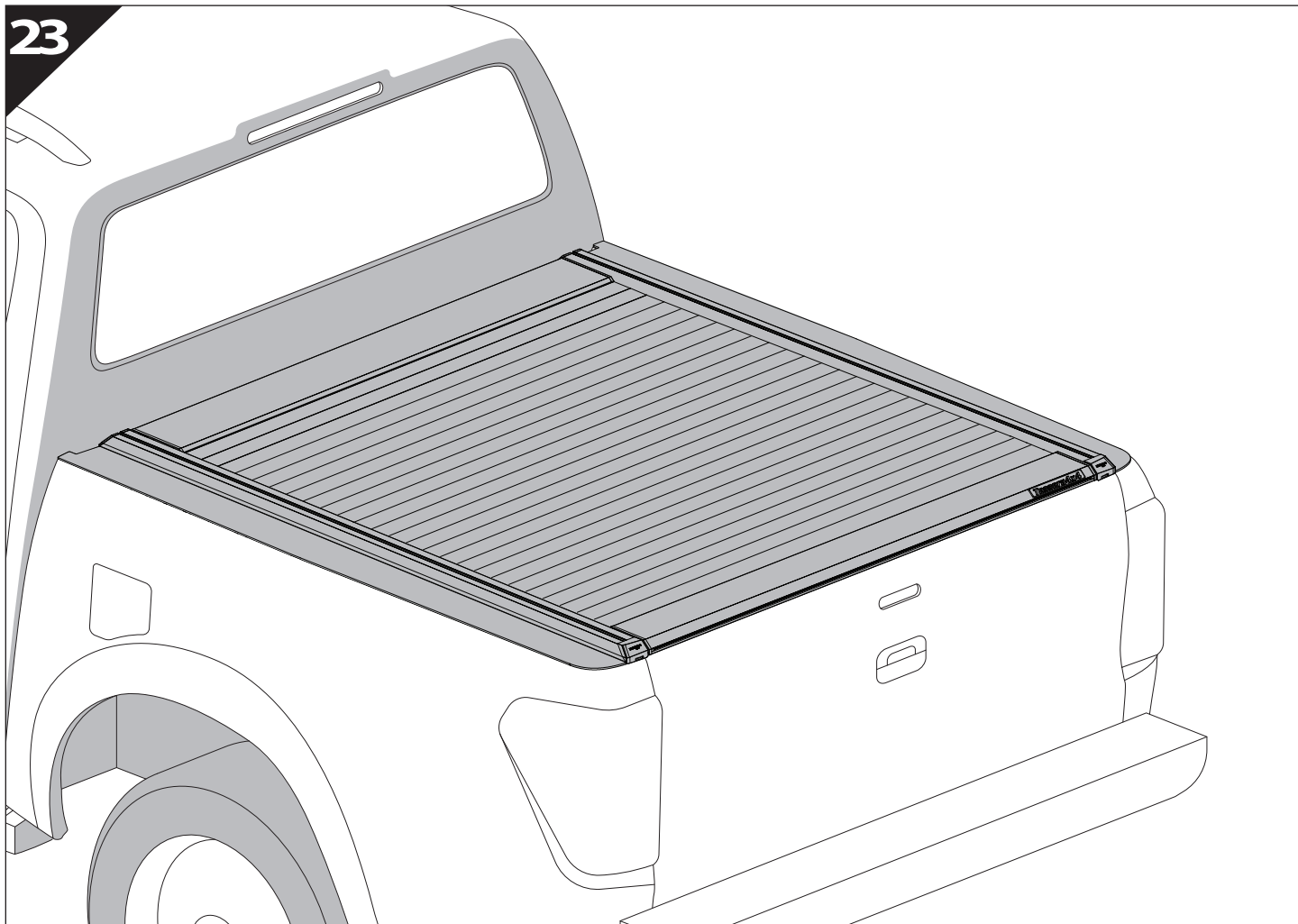
**CAUTION** !



22



23





**GR:** Οδηγίες Εγκατάστασης  
**GB:** Installation manual  
**SF:** Asennusohje  
**F:** Notice de montage  
**PL:** Instrukcja montażu  
**NL:** Installatie-instructies  
**TR:** Montaj Talimatı  
**S:** Monteringsanvisning  
**E:** Instrucciones de montaje

**H:** Szerelési utasítás  
**P:** Instruções de instalação  
**RUS:** Инструкция по установке  
**N:** Monteringsveiledning  
**D:** Einbauanleitung  
**CZ:** Návod k instalaci  
**I:** Istruzioni de montaggio  
**DK:** Monteringsvejledning  
**RO:** Instructiuni de instalare

Customer Service:

+30 (210) 5541161, +30 (210) 5541154 (08:00 - 16:00 EET)

Support department:

[info@gianso.gr](mailto:info@gianso.gr)

Website:

[www.tessera4x4.com](http://www.tessera4x4.com)

Address:

19.5 km of National road Athens-Korinthos (Elefsina) Greece, P.C: 19200