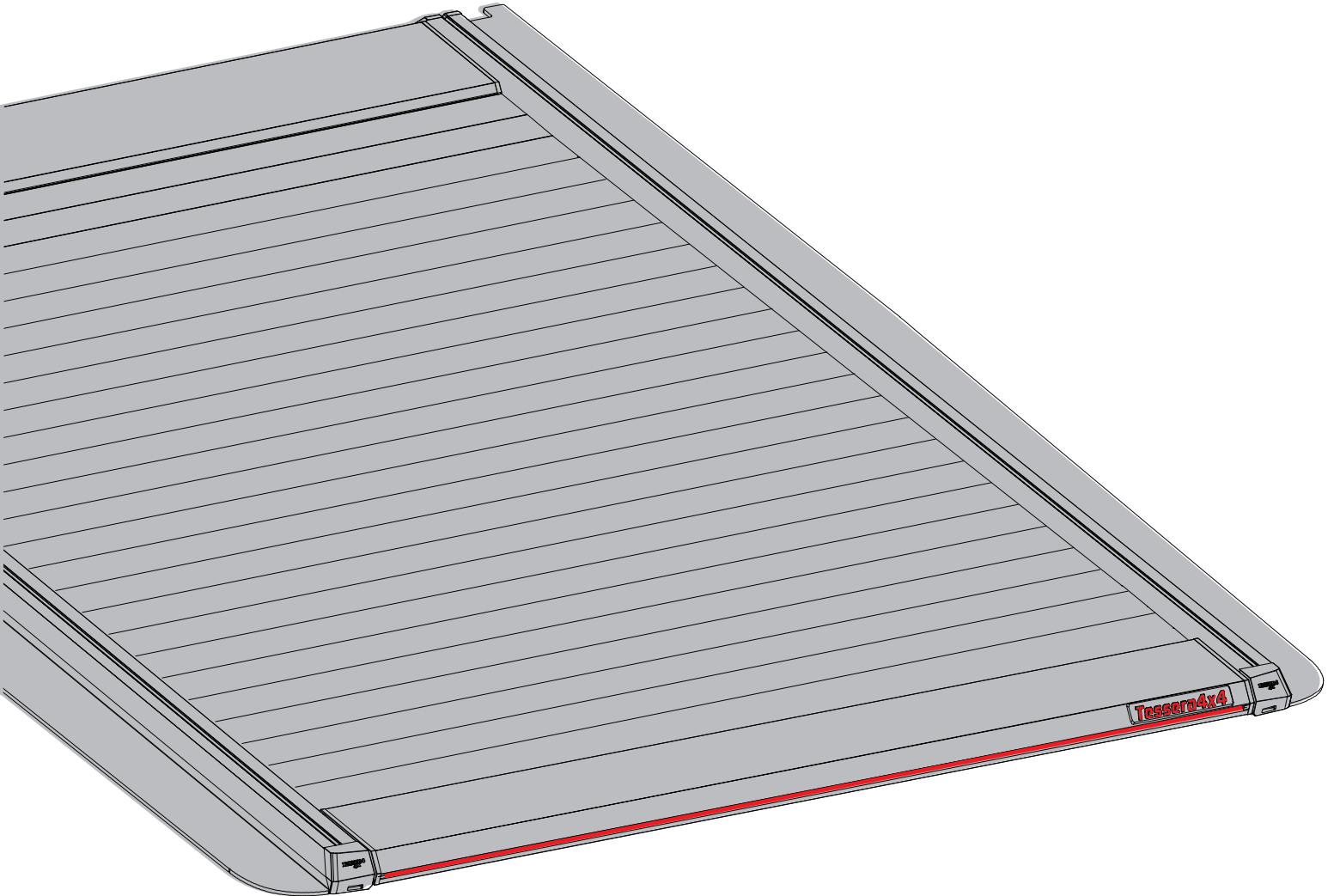


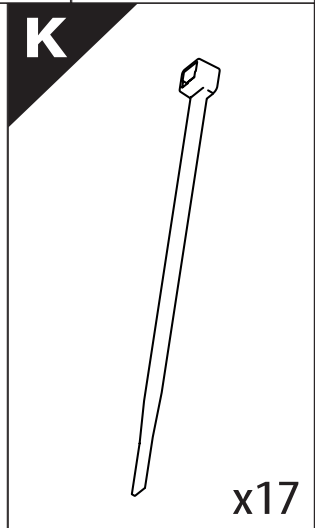
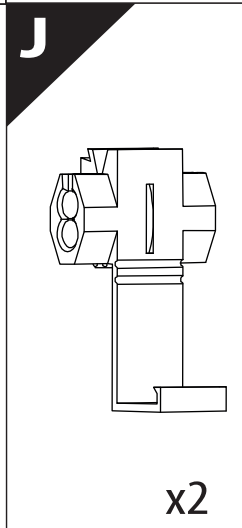
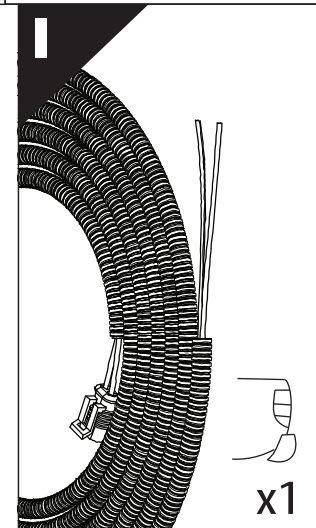
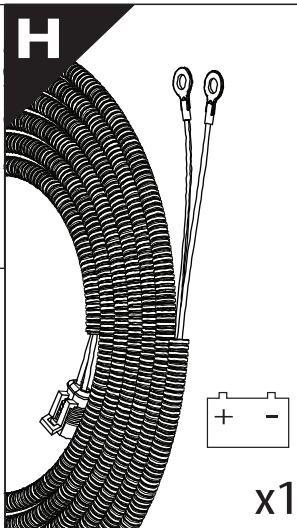
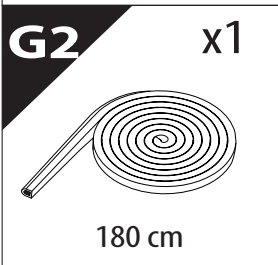
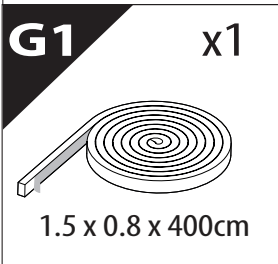
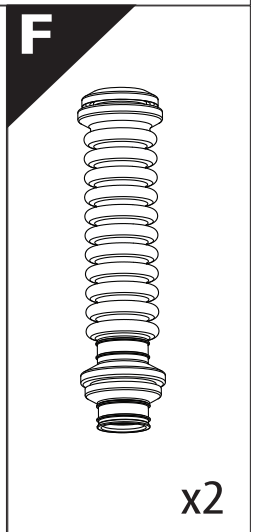
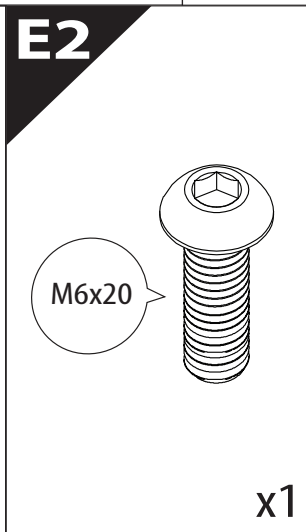
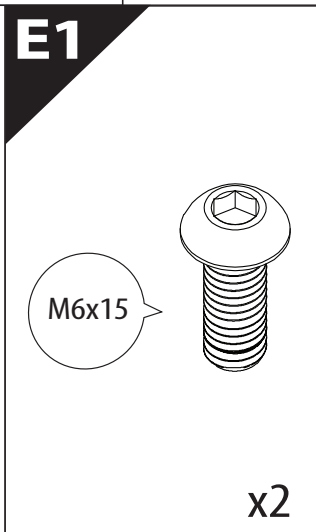
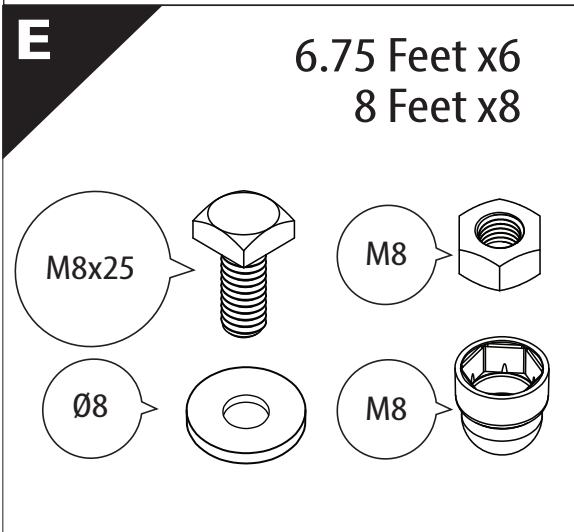
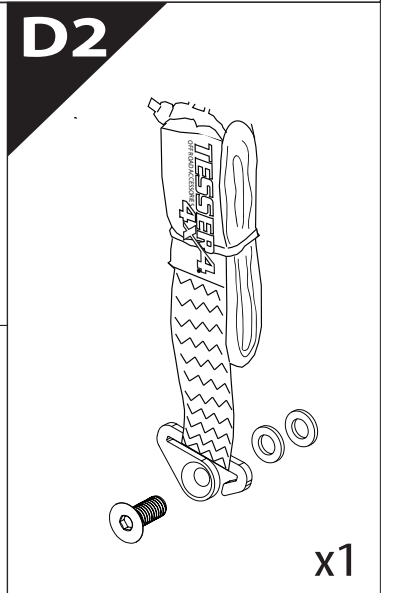
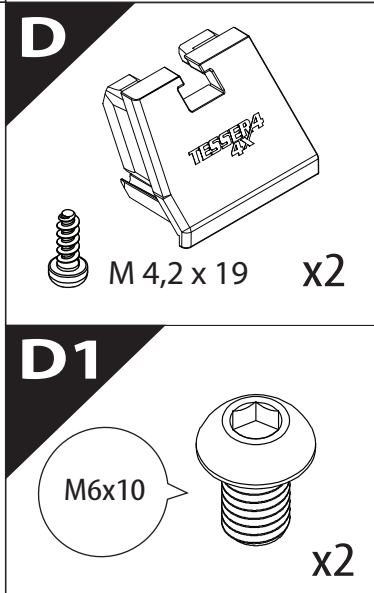
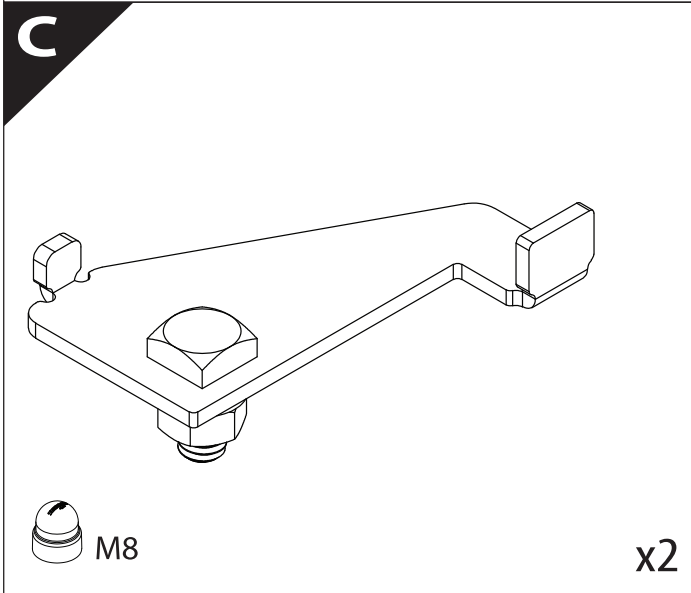
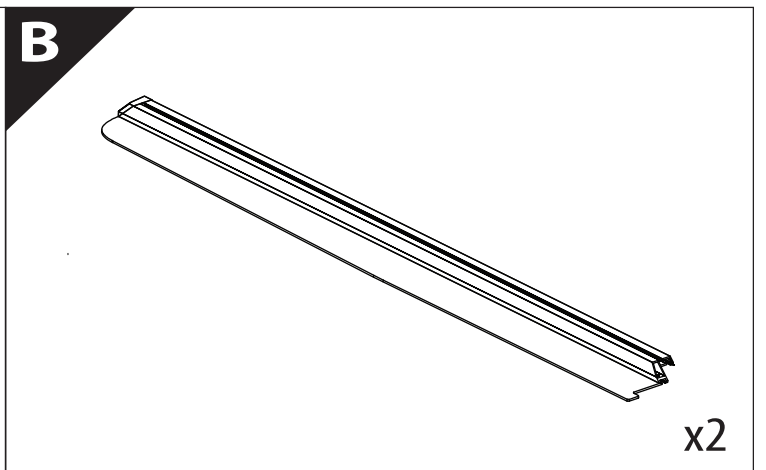
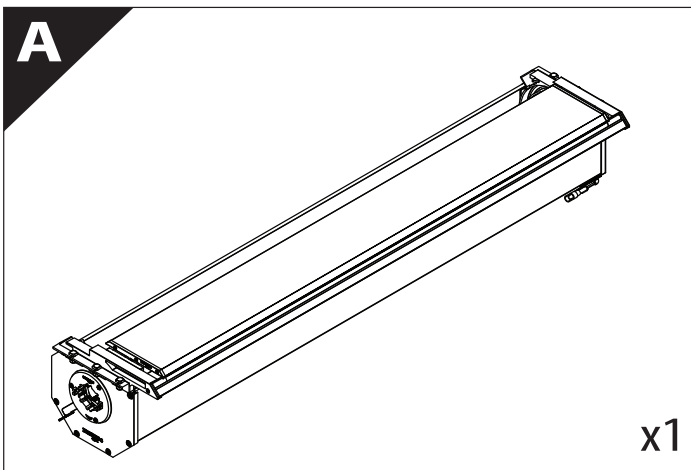
Tessera Roll+

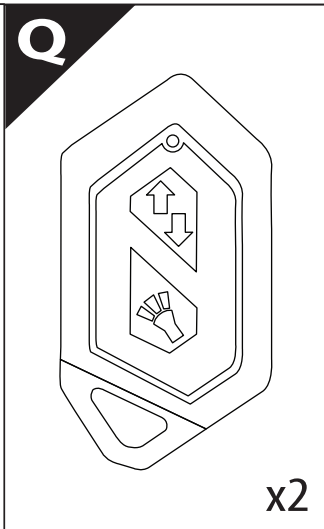
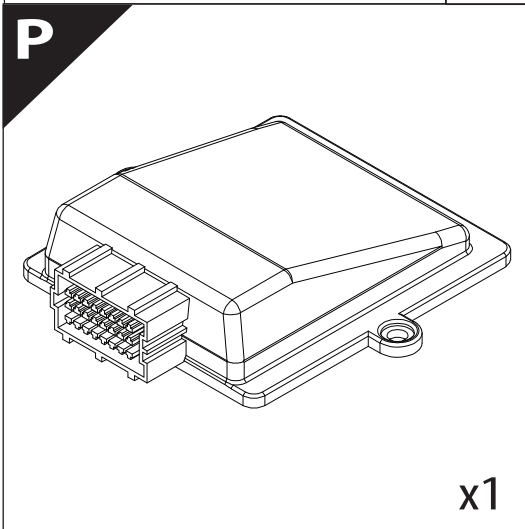
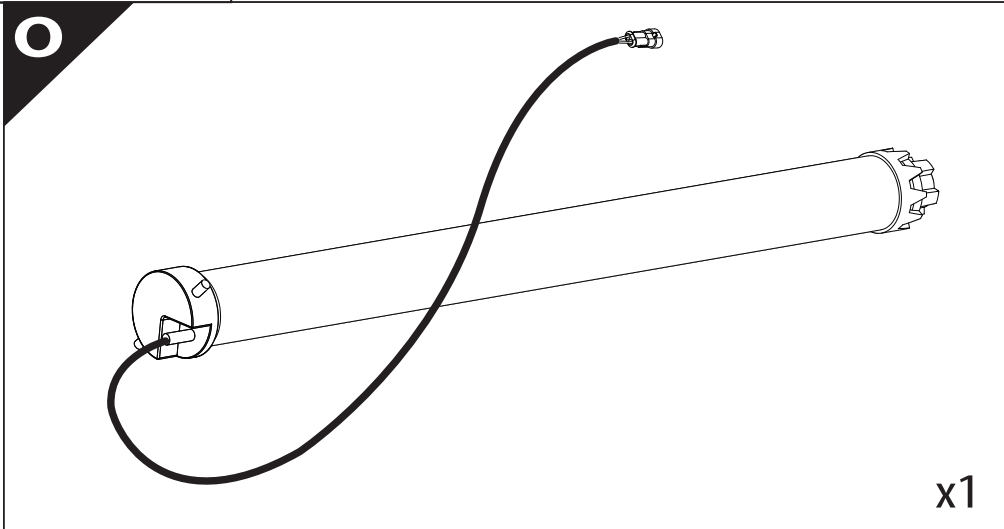
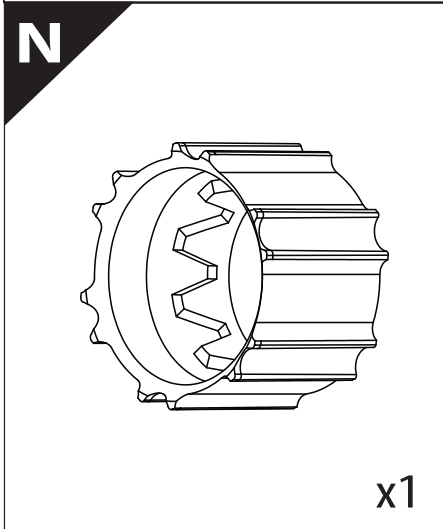
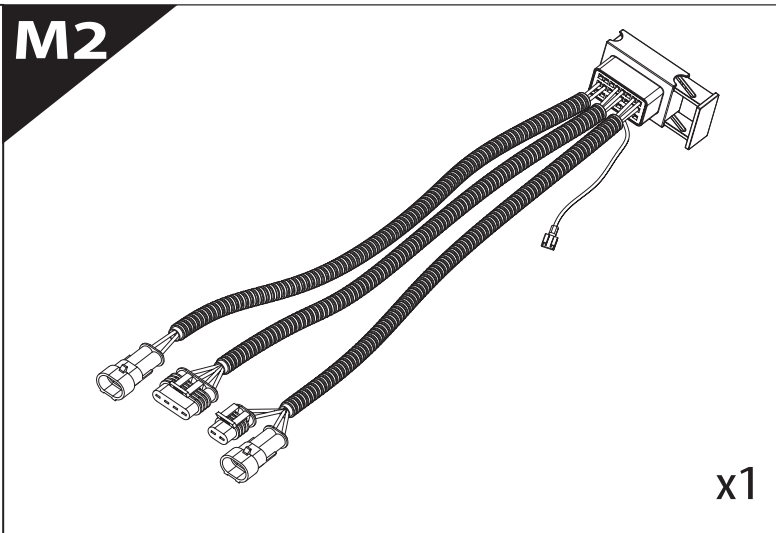
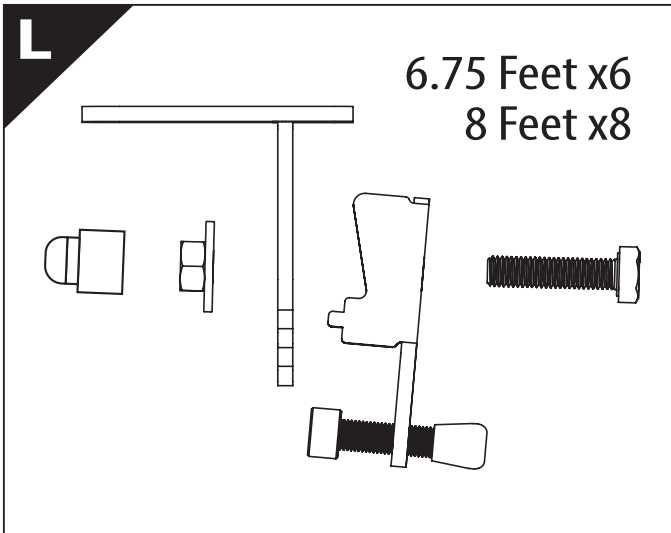
Basic Version + ⚡ E-KIT

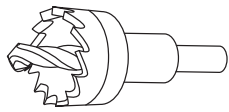


Installation Manual

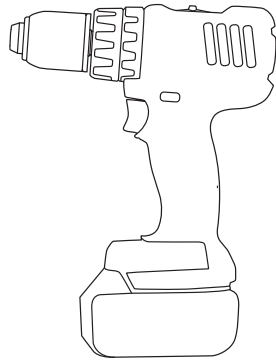
PART NUMBER(S)	Model Year
TESS 1432 ROLL+E-KIT	Ford F-250 / 350 2023+
TESS 14321 ROLL+E-KIT	
Feet	Installation Time / Weight
6.75 Feet & 8 Feet	40-60 minutes / 53-57 kg







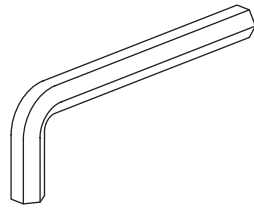
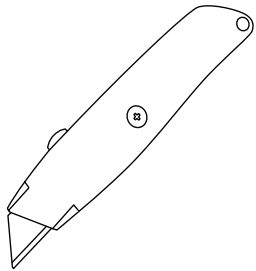
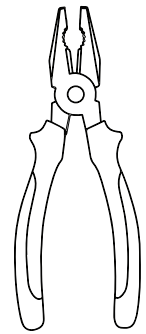
Ø 25 mm



+

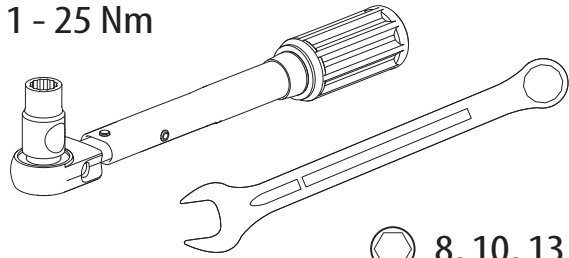


-



4 mm

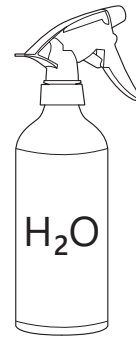
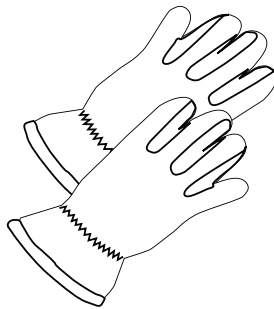
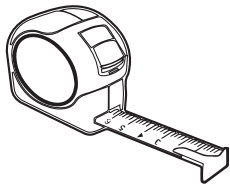
1 - 25 Nm



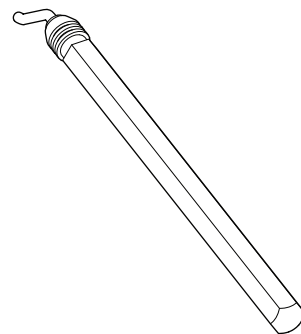
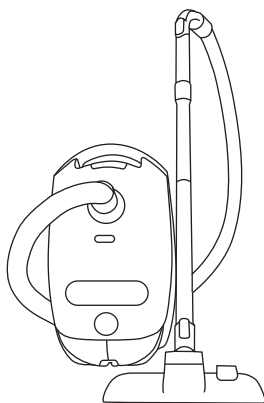
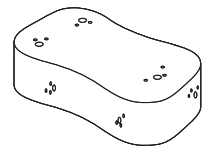
8, 10, 13 mm



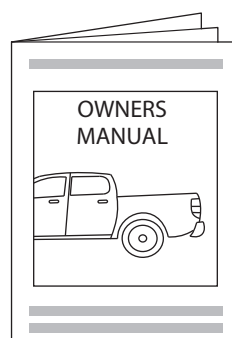
ACETONE



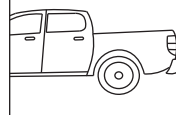
H₂O



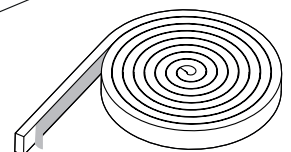
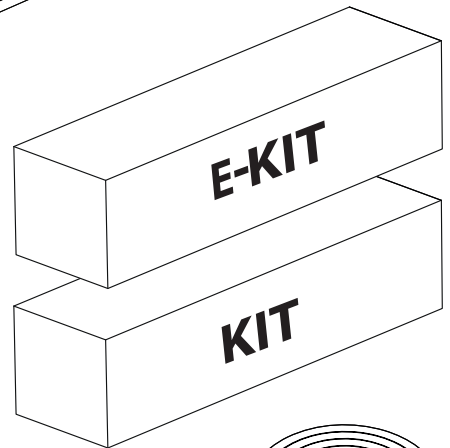
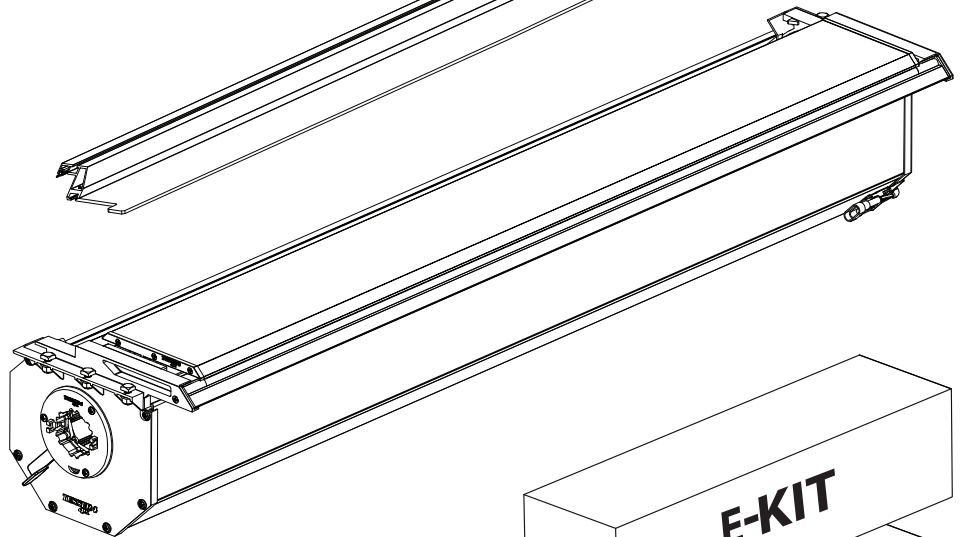
INSTALATION
MANUAL
+E-KIT



OWNERS
MANUAL



x1

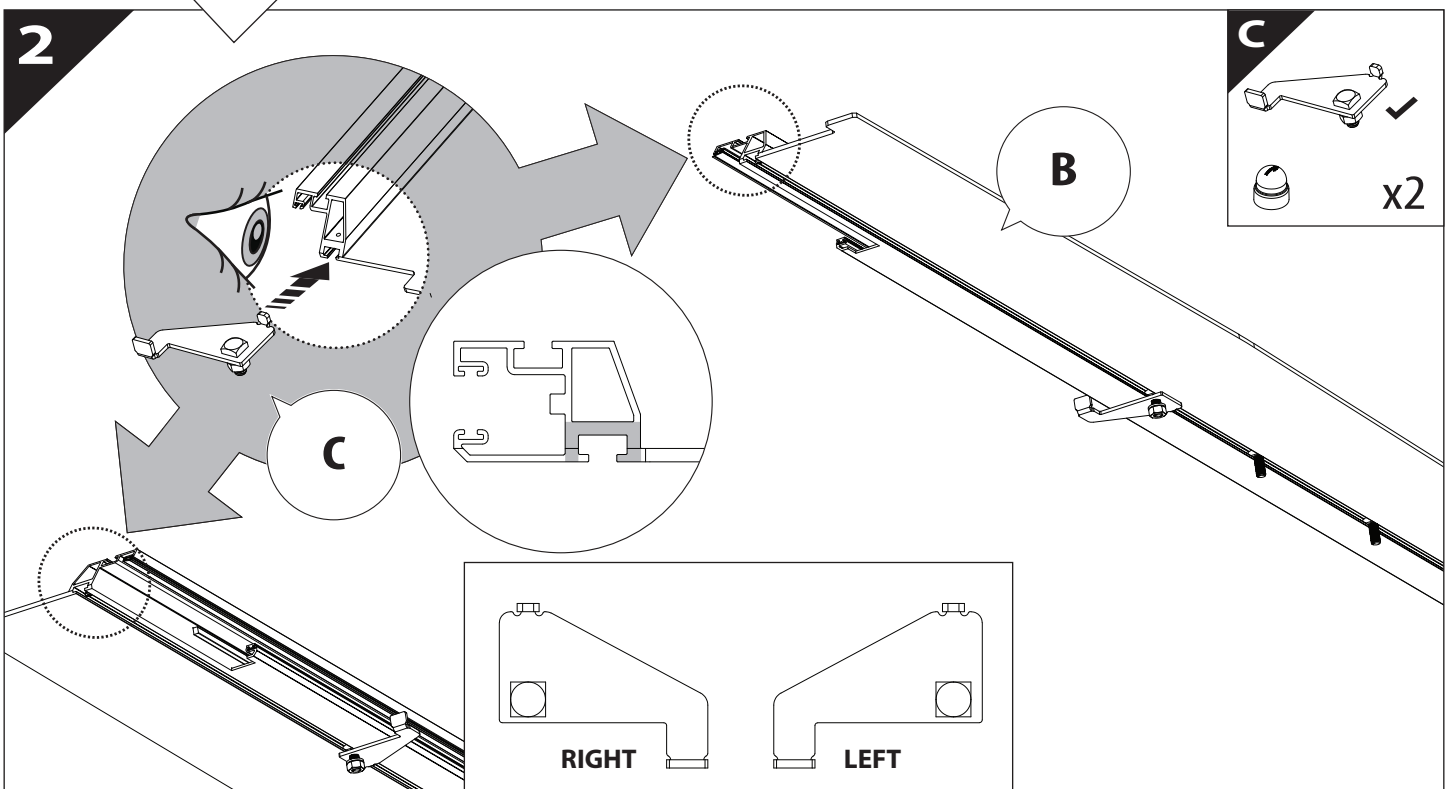
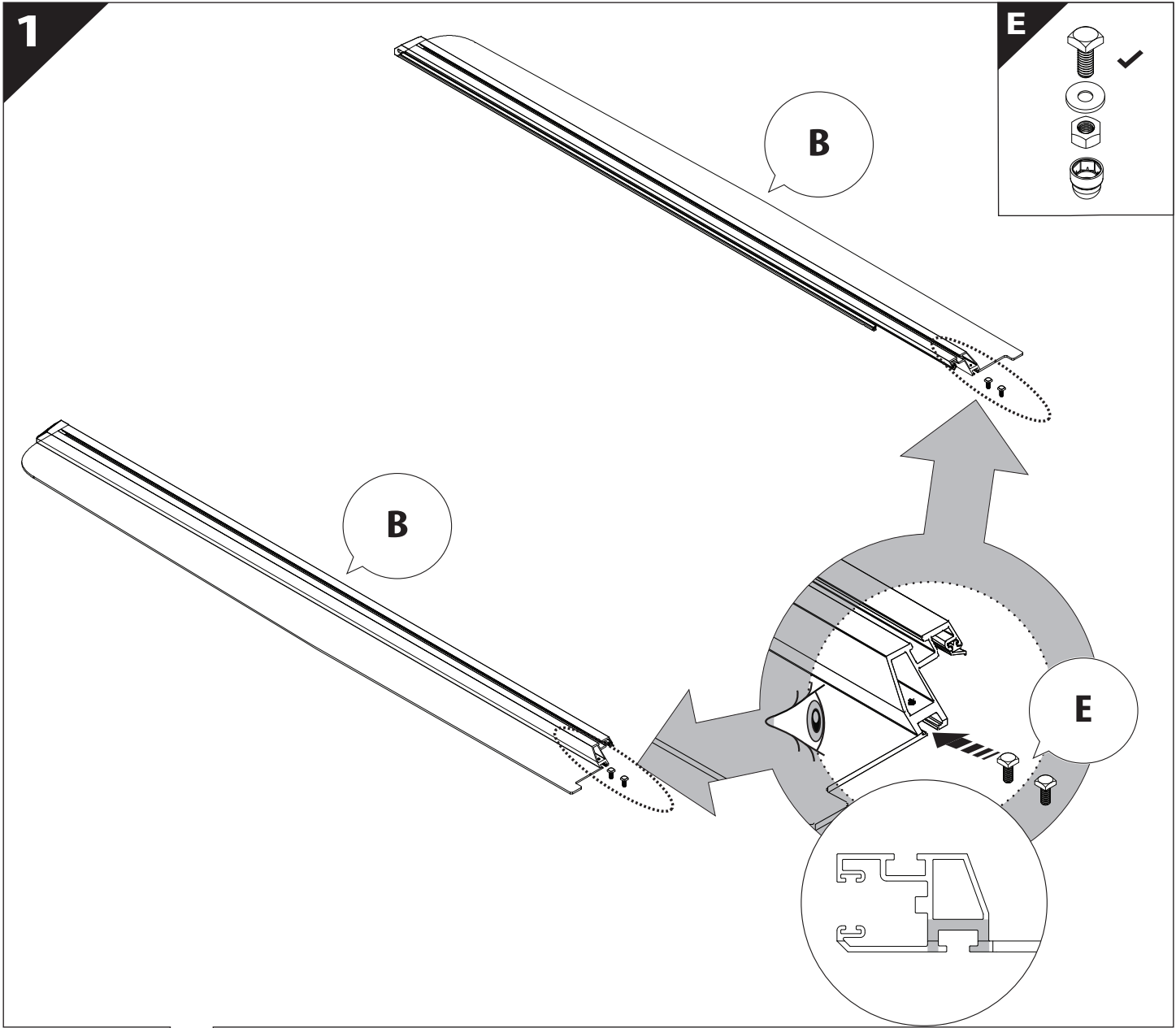


B

A

KITS

G

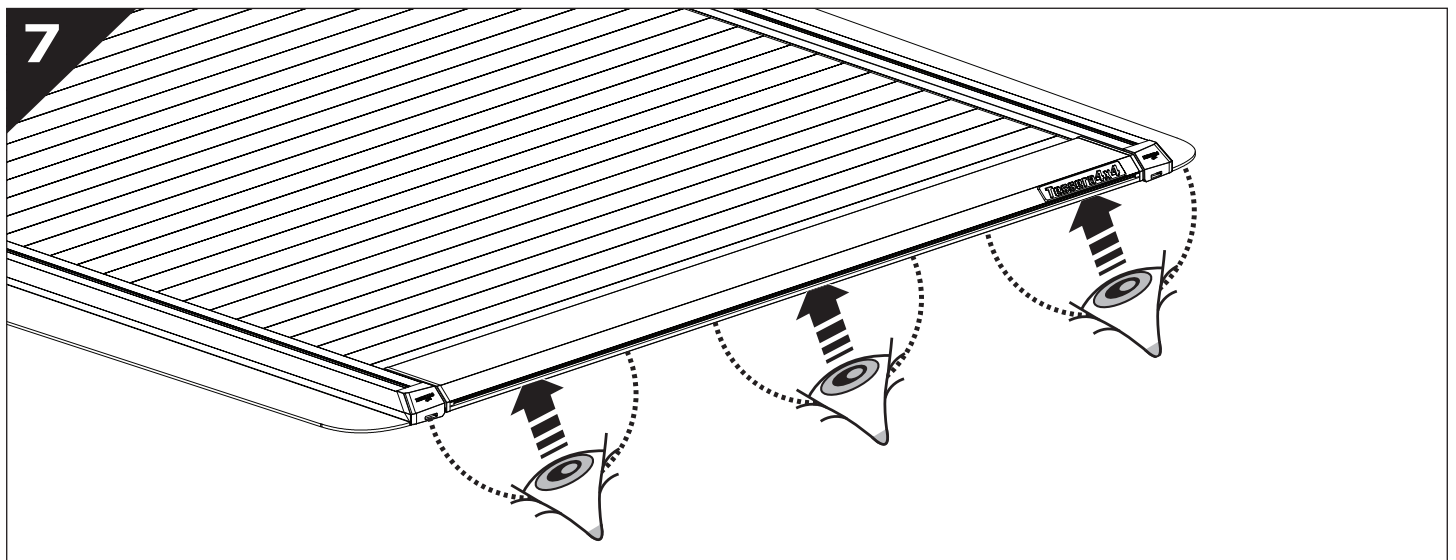
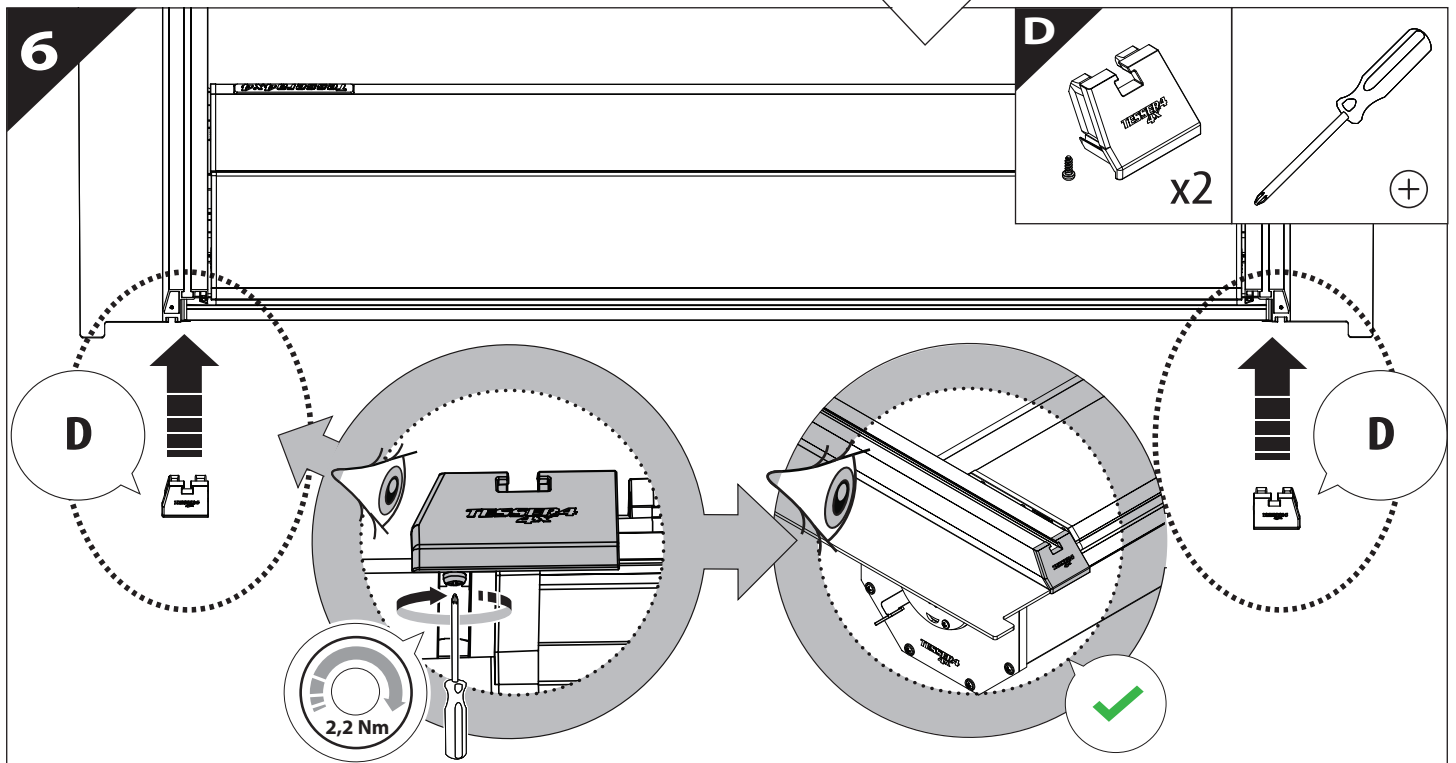
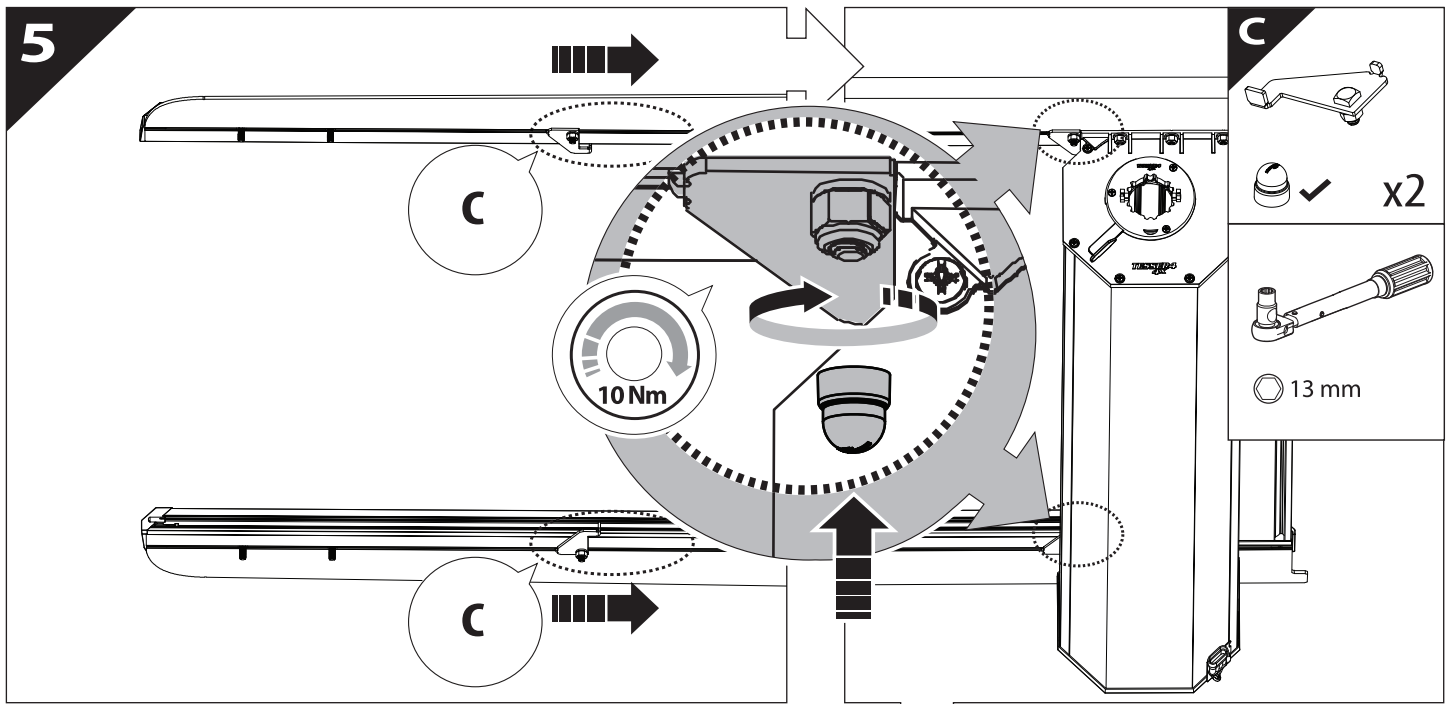


3

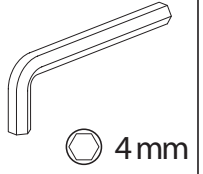
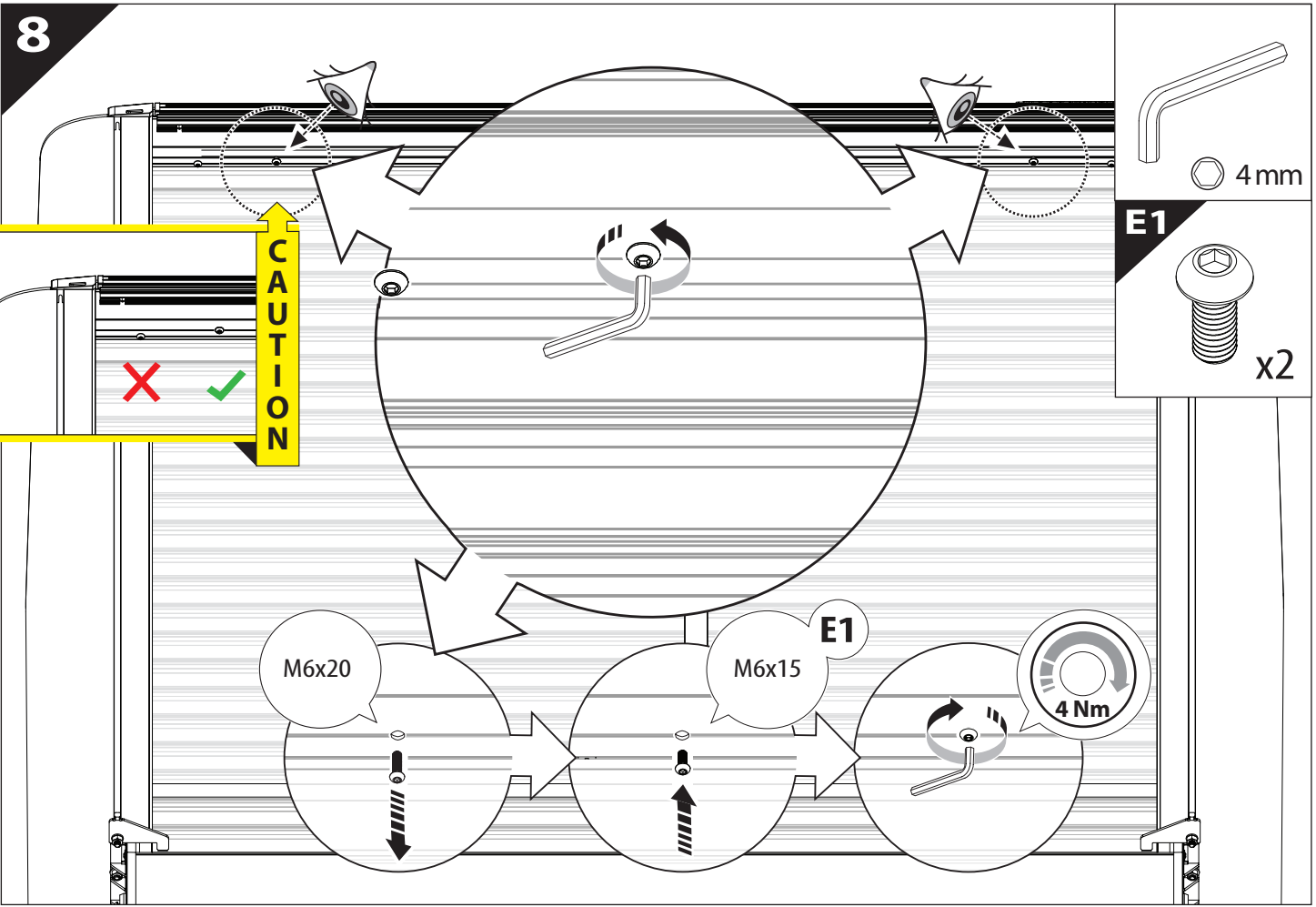
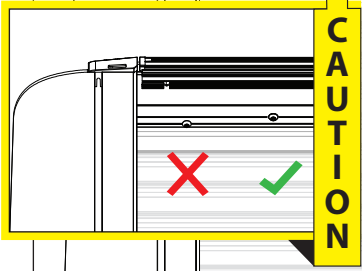


4





8



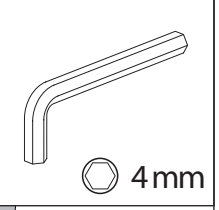
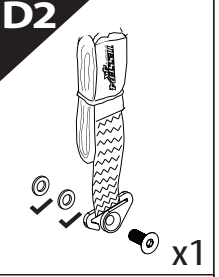
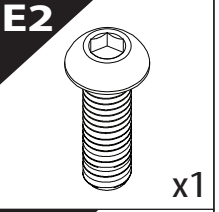
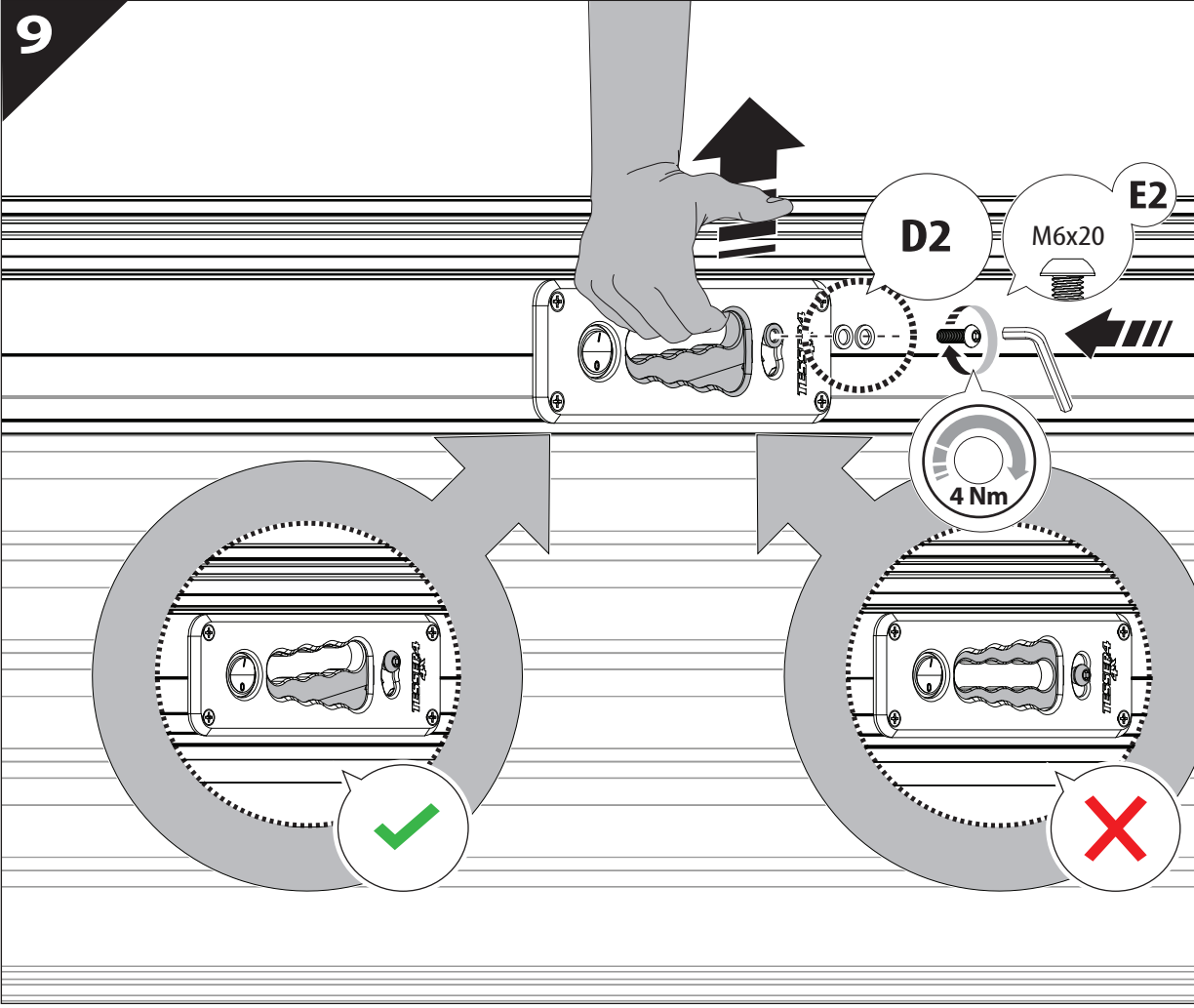
M6x20

M6x15

E1

4 Nm

9



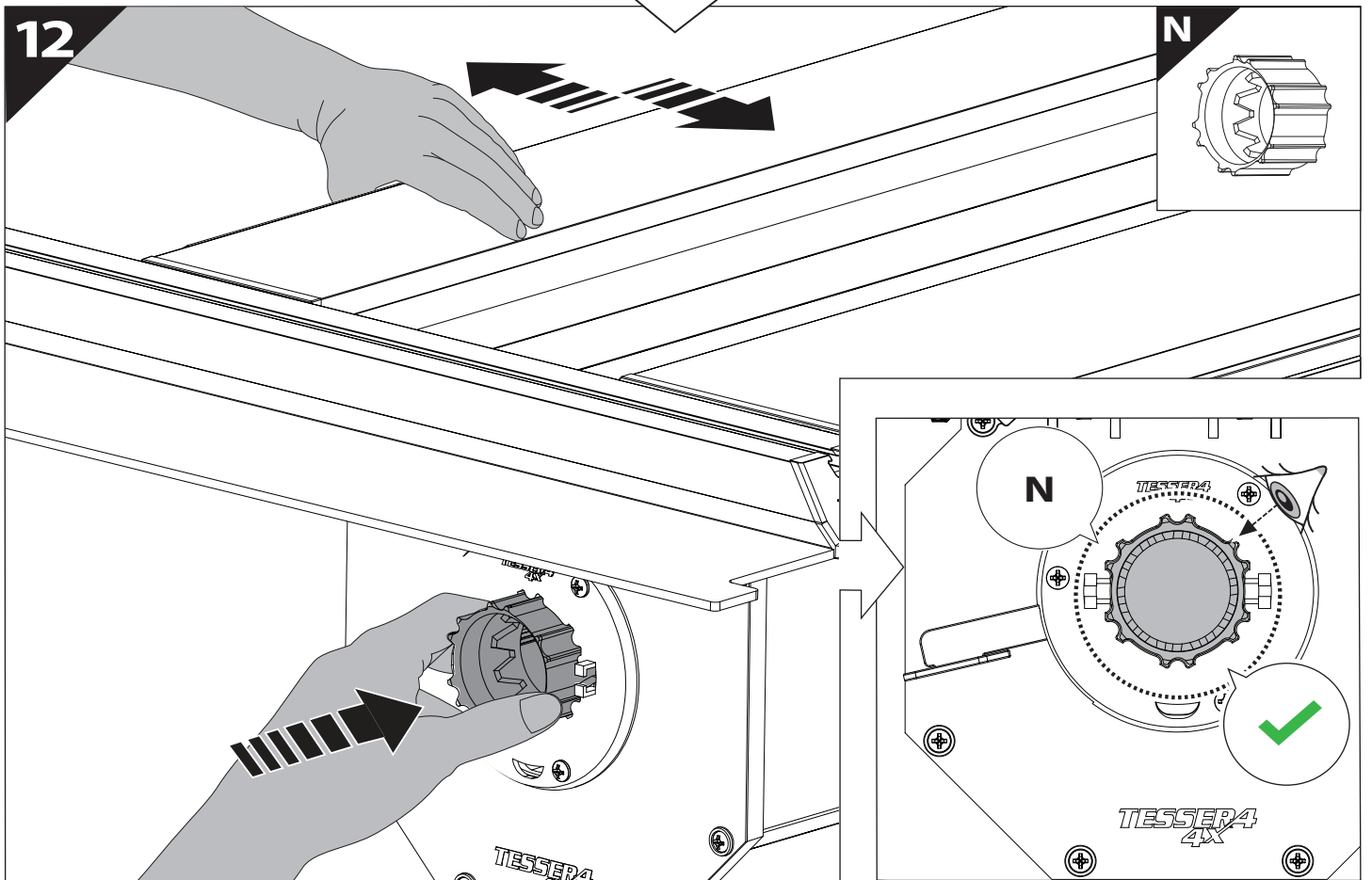
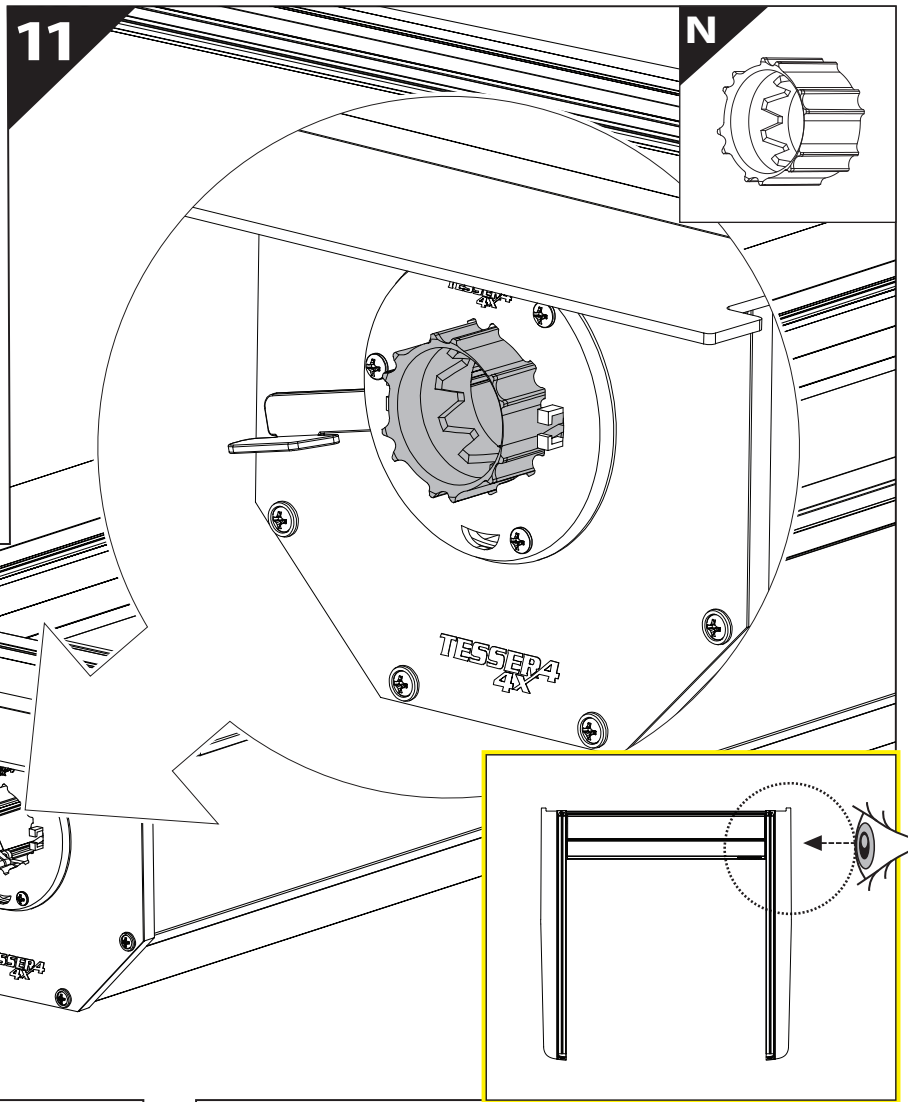
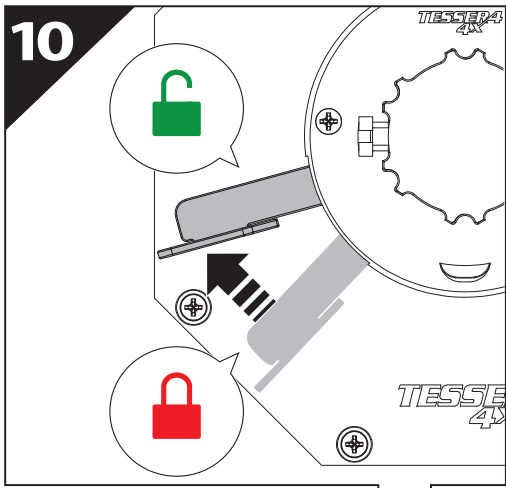
D2

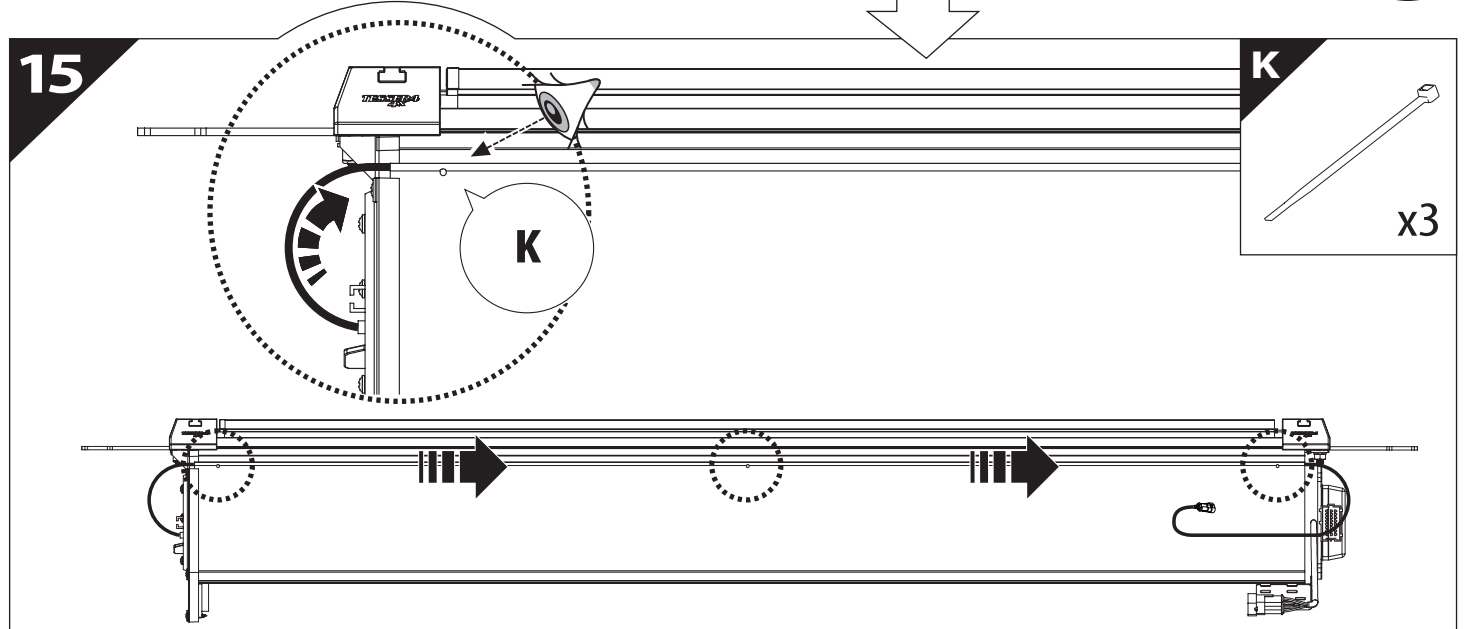
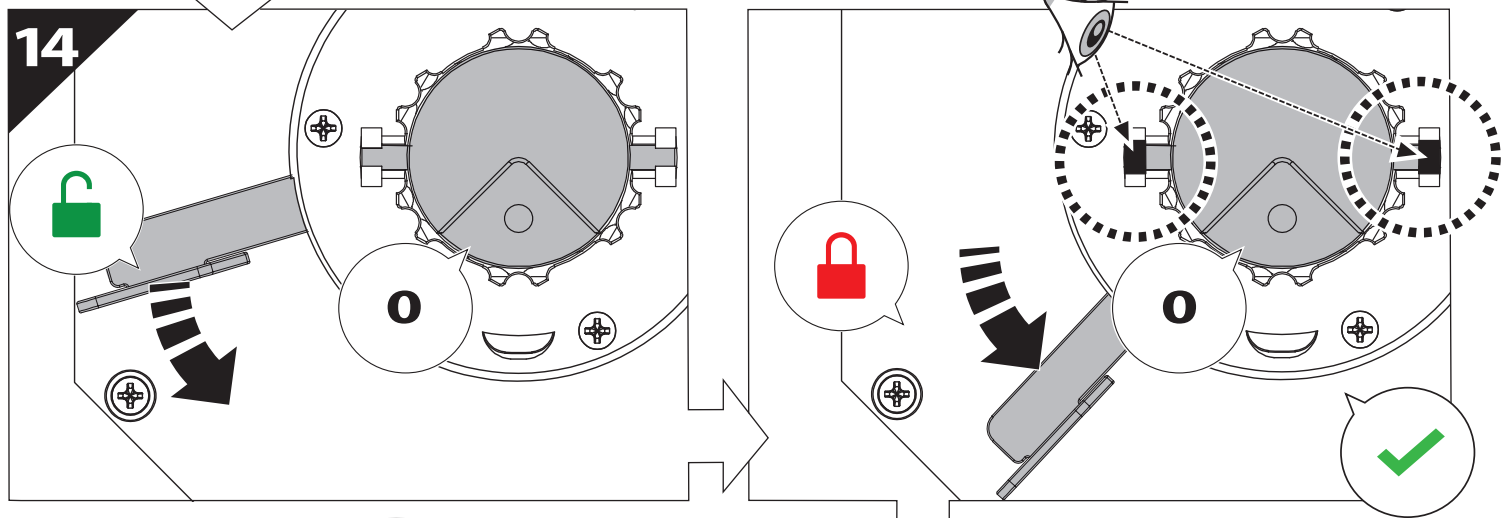
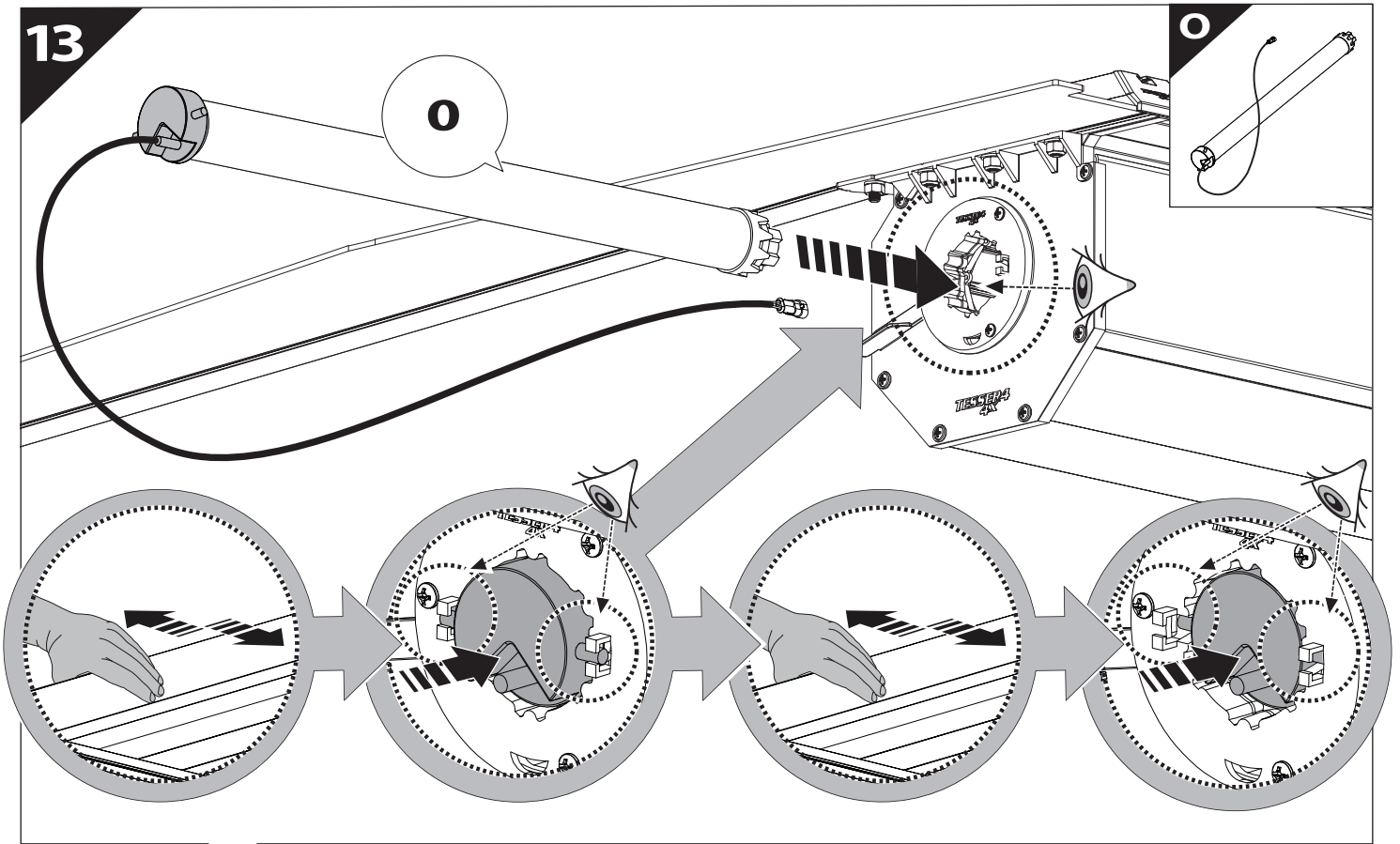
M6x20

E2

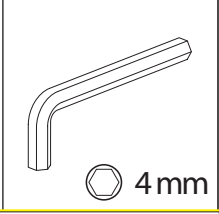
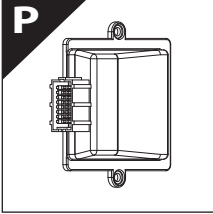
4 Nm





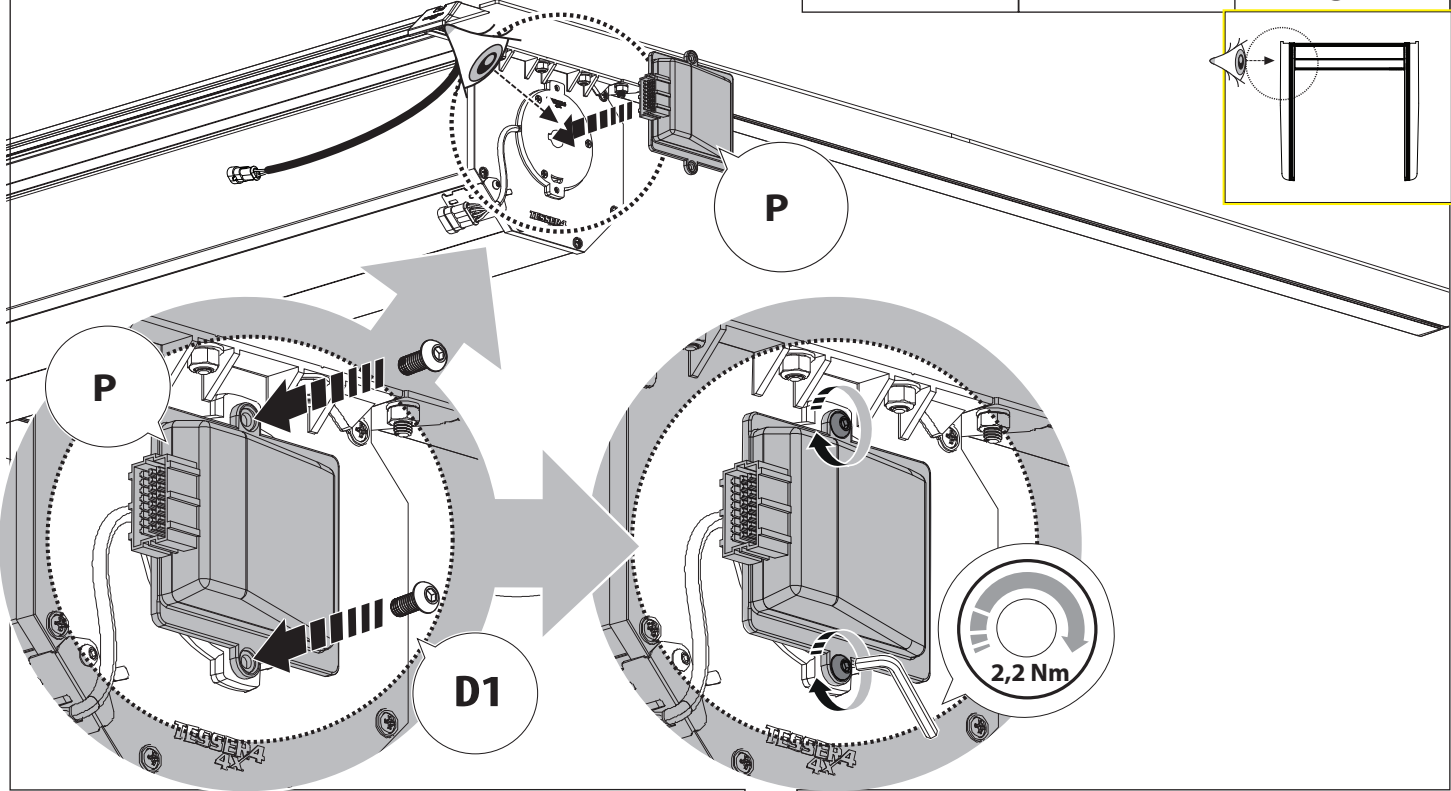
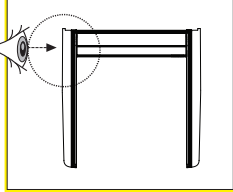


16

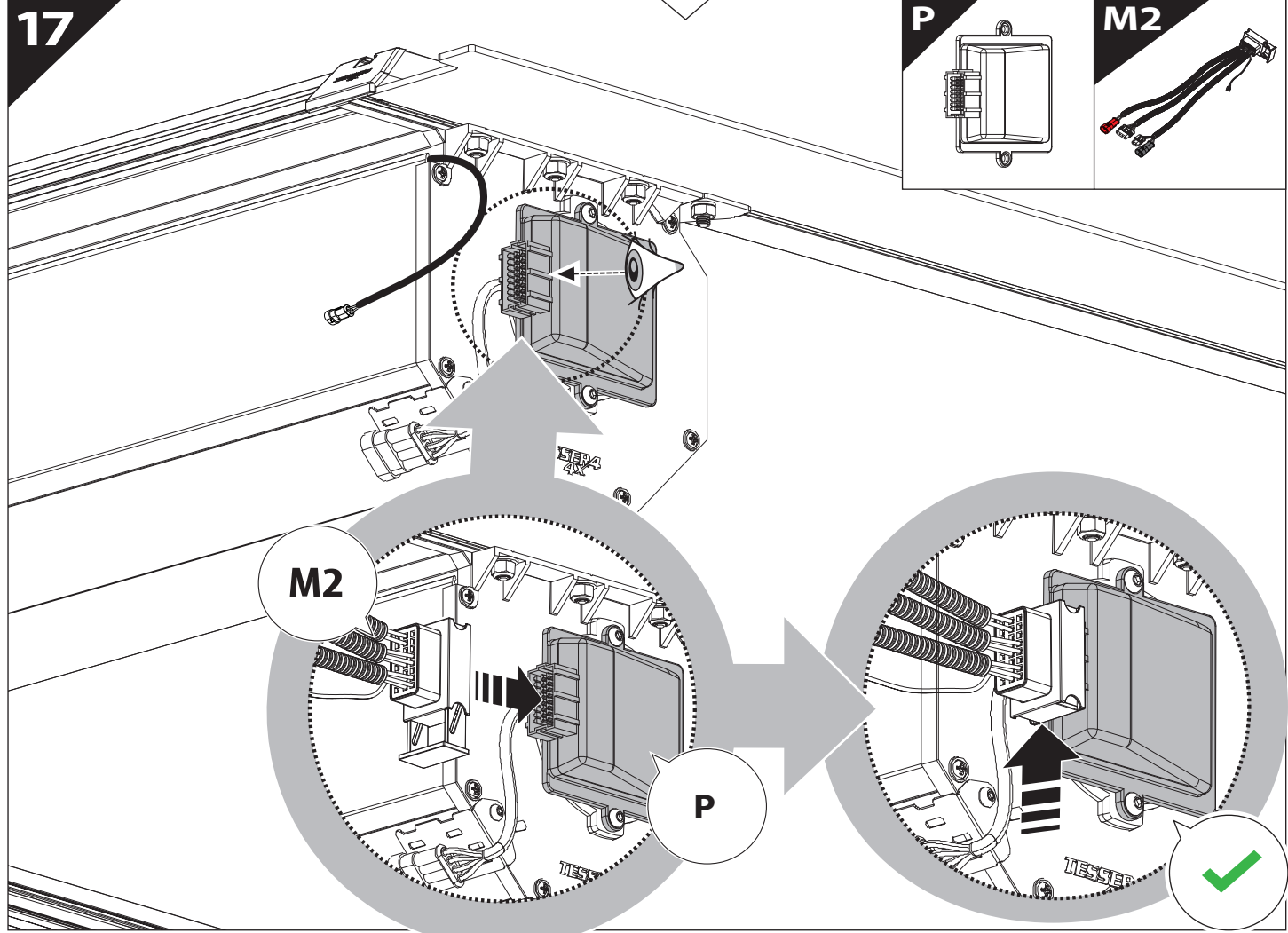
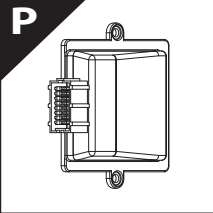


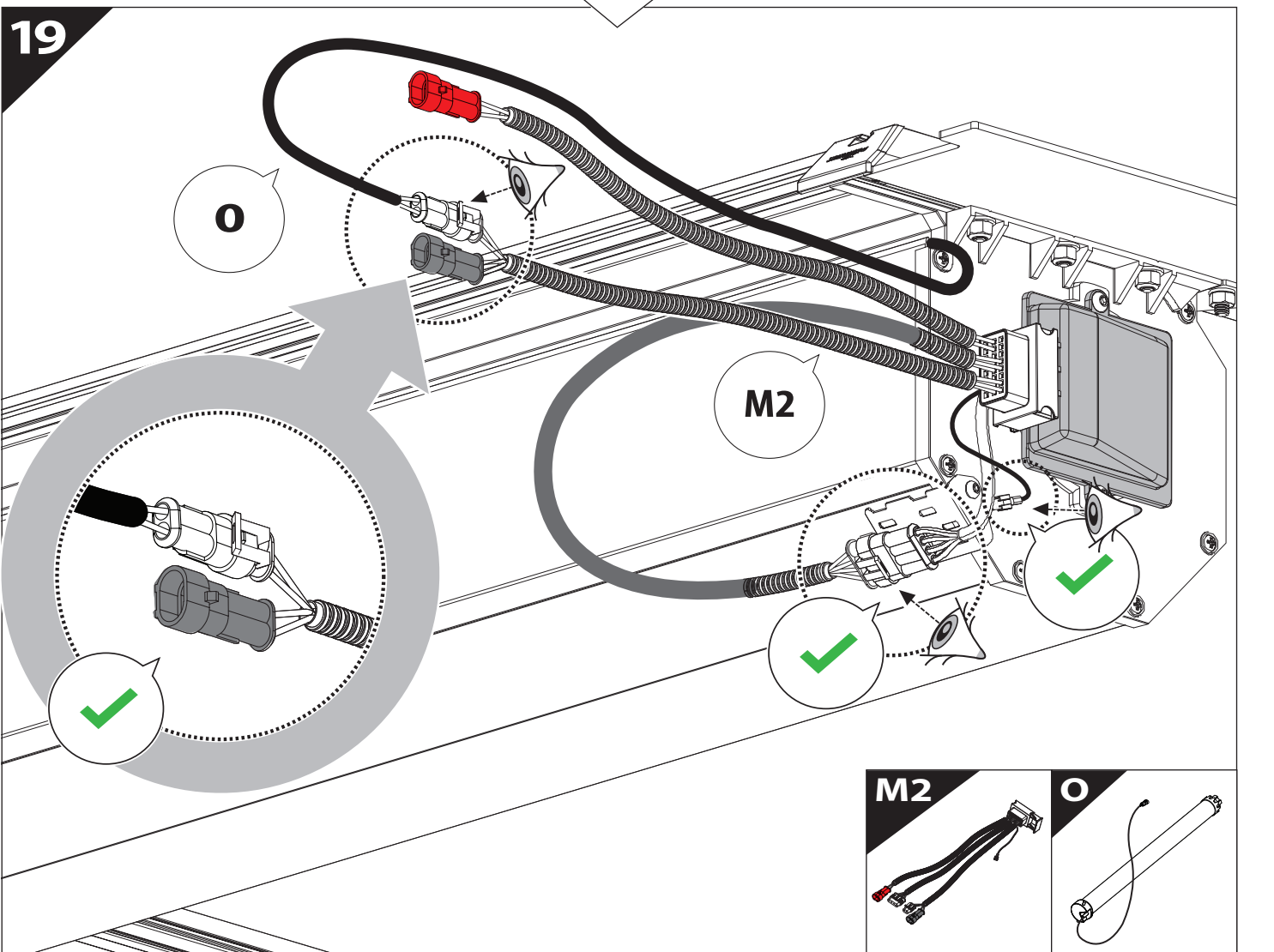
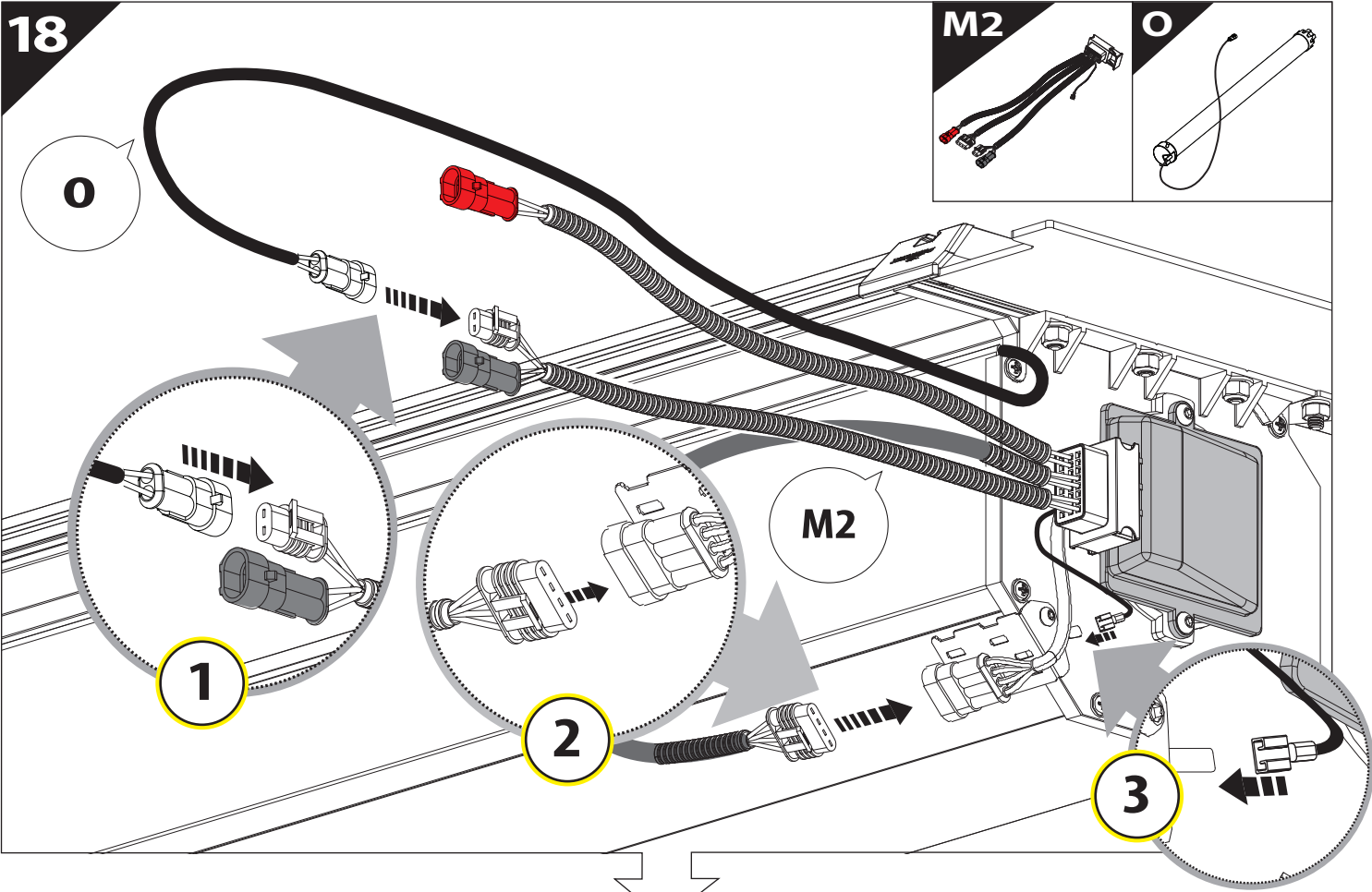
x2

4mm



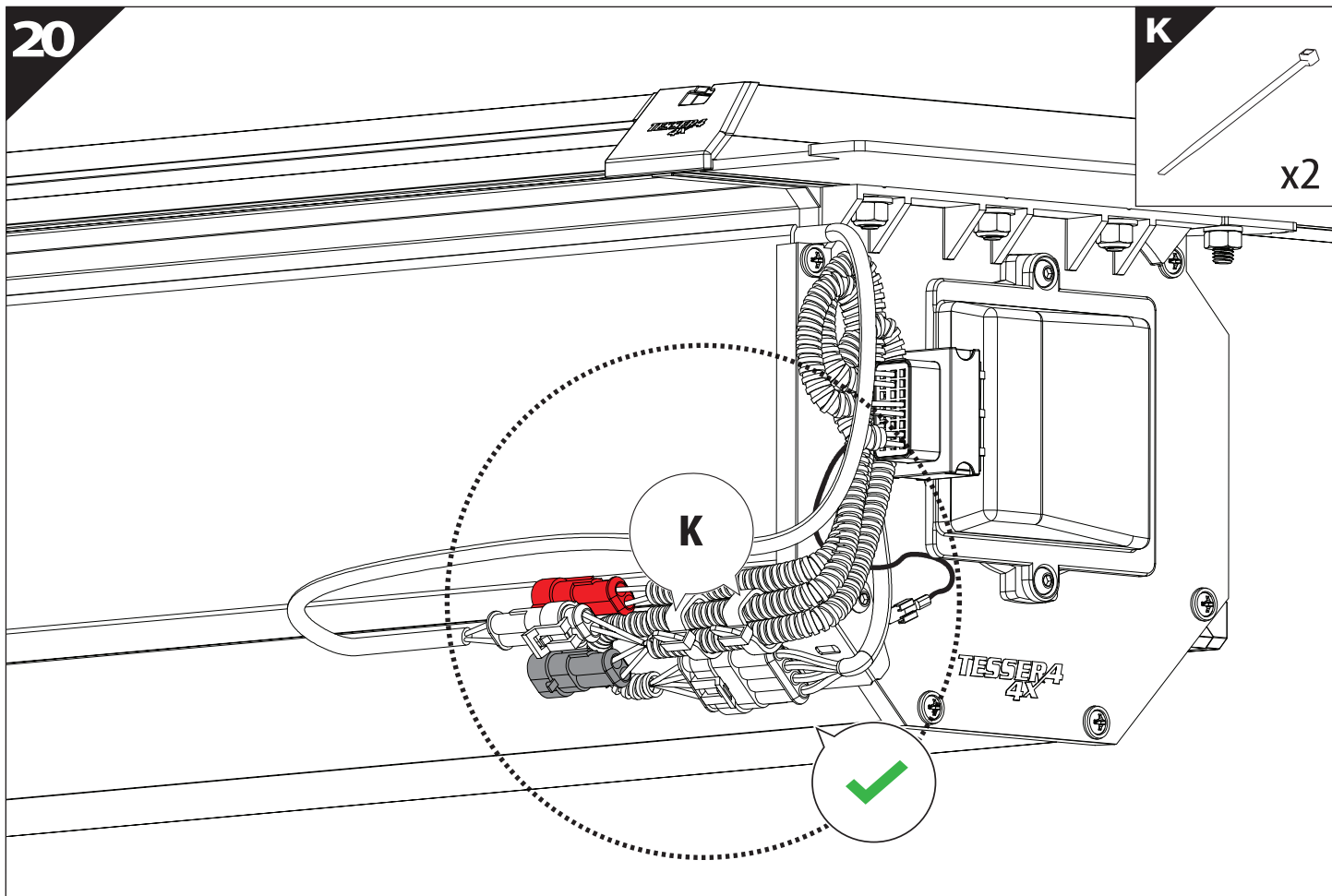
17





20

K



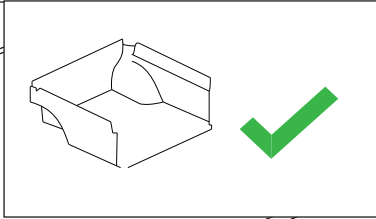
x2

K

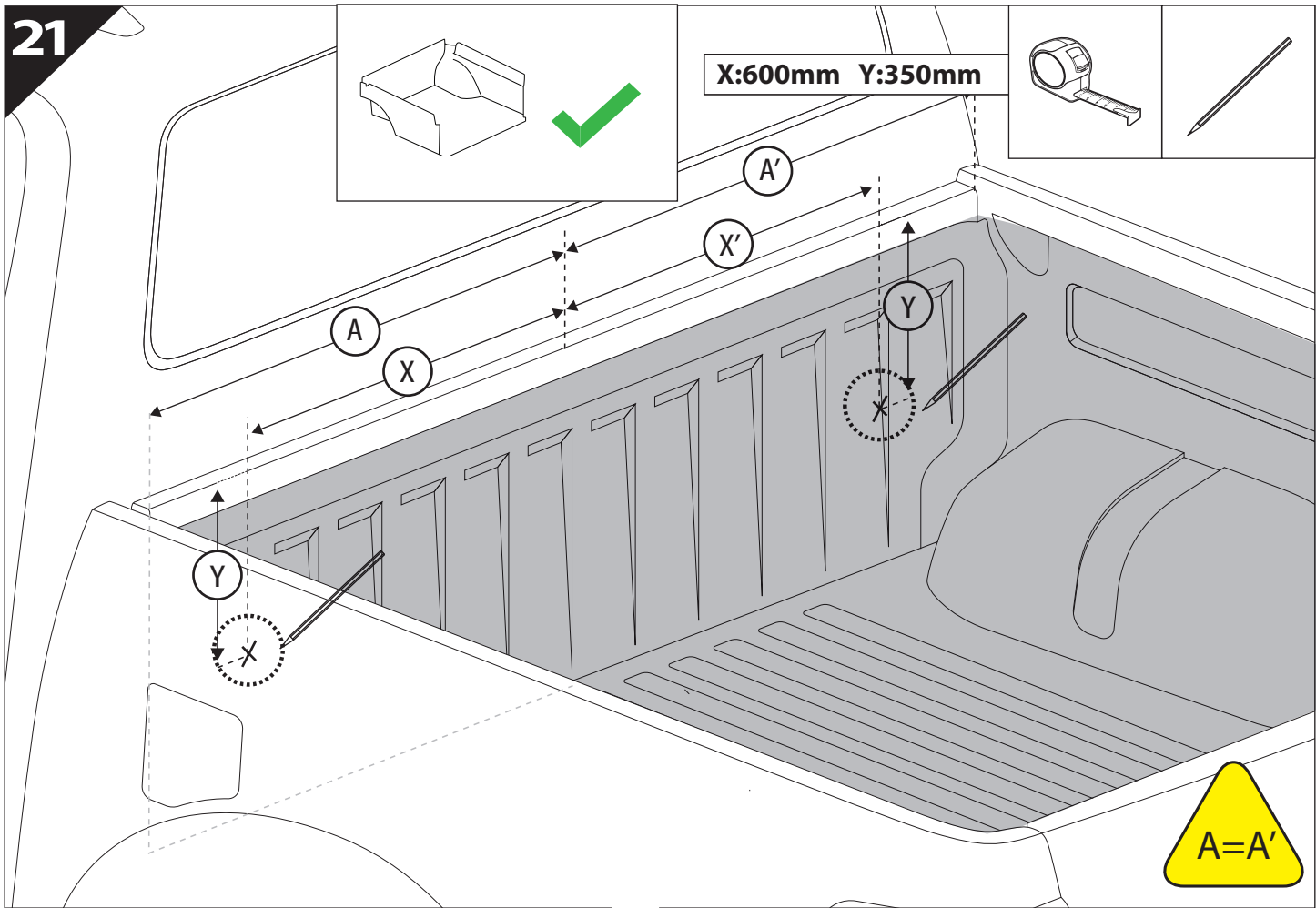
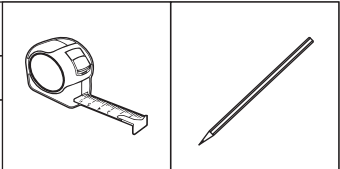
TESSERA
4X



21

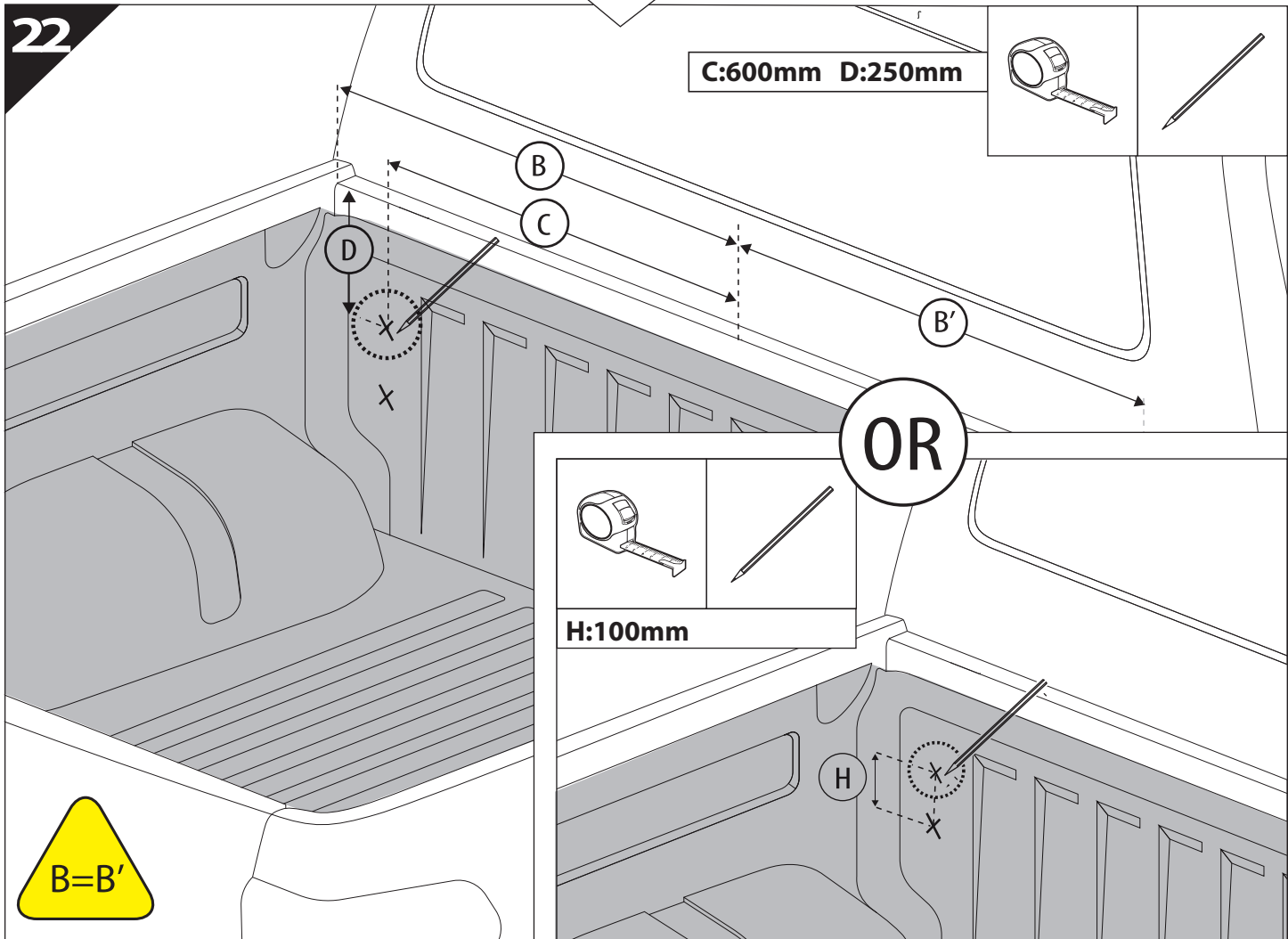
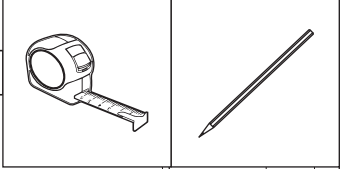


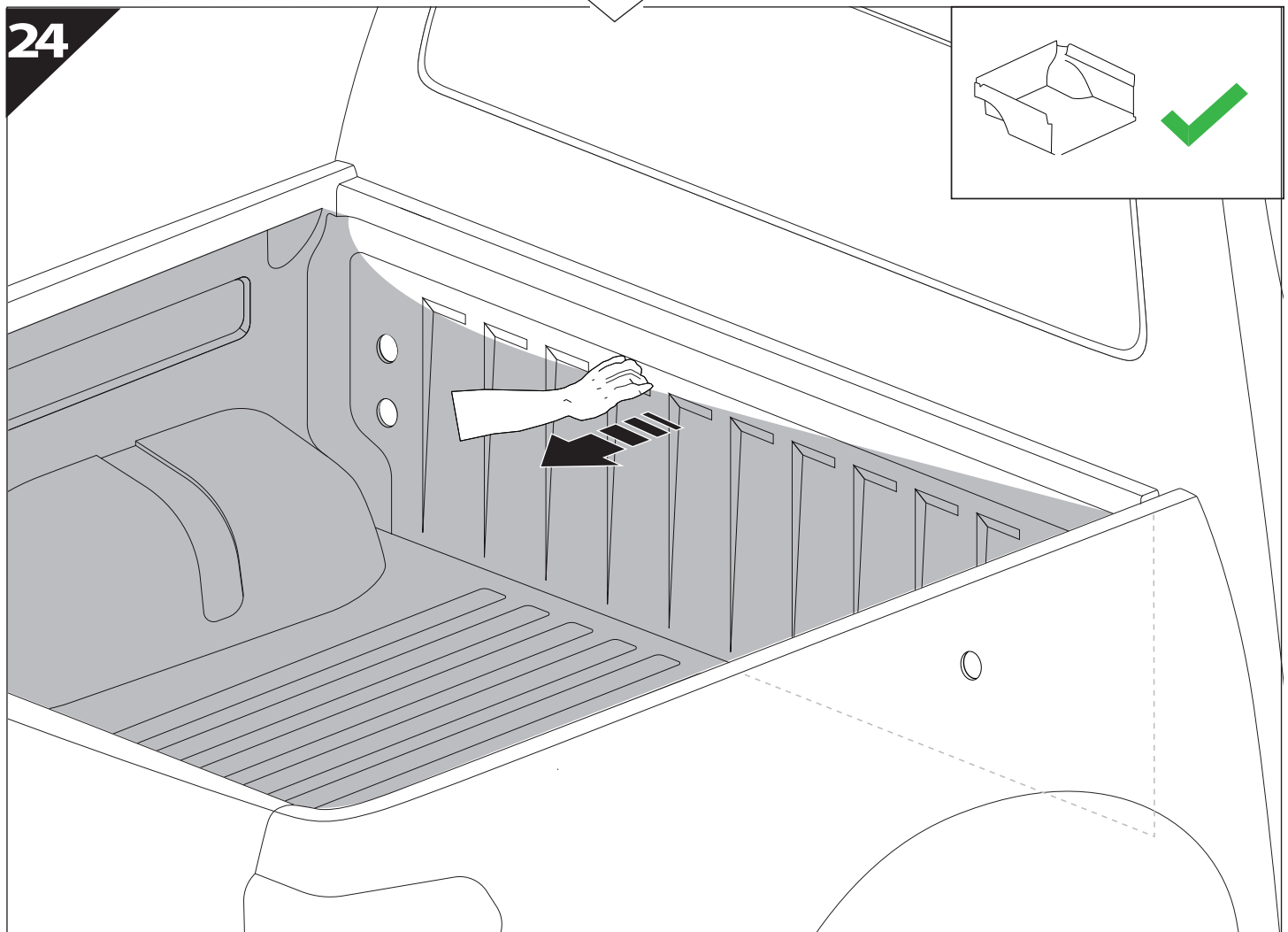
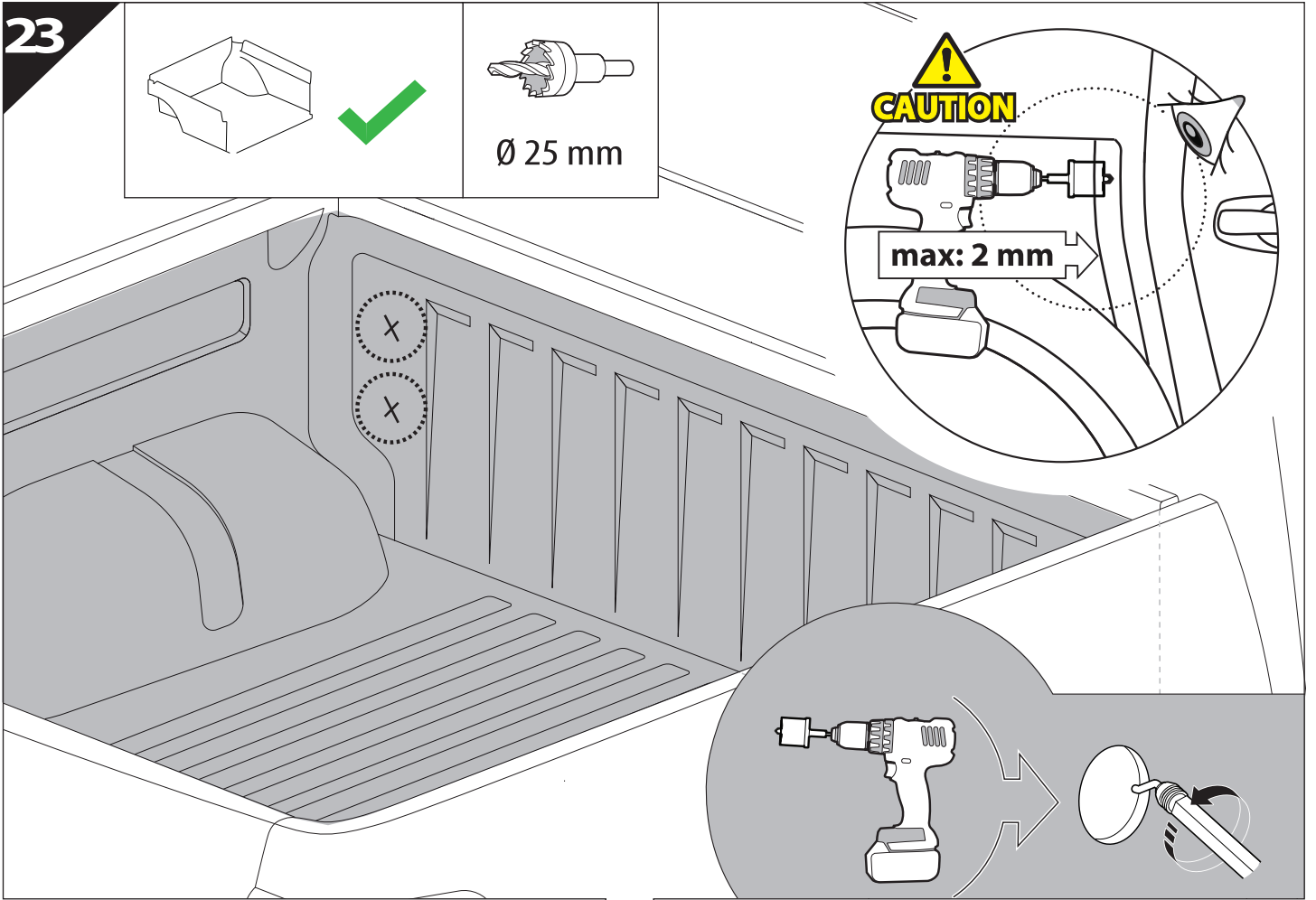
X:600mm Y:350mm



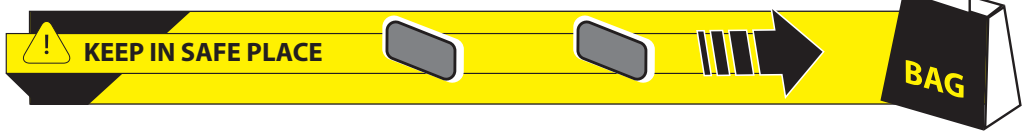
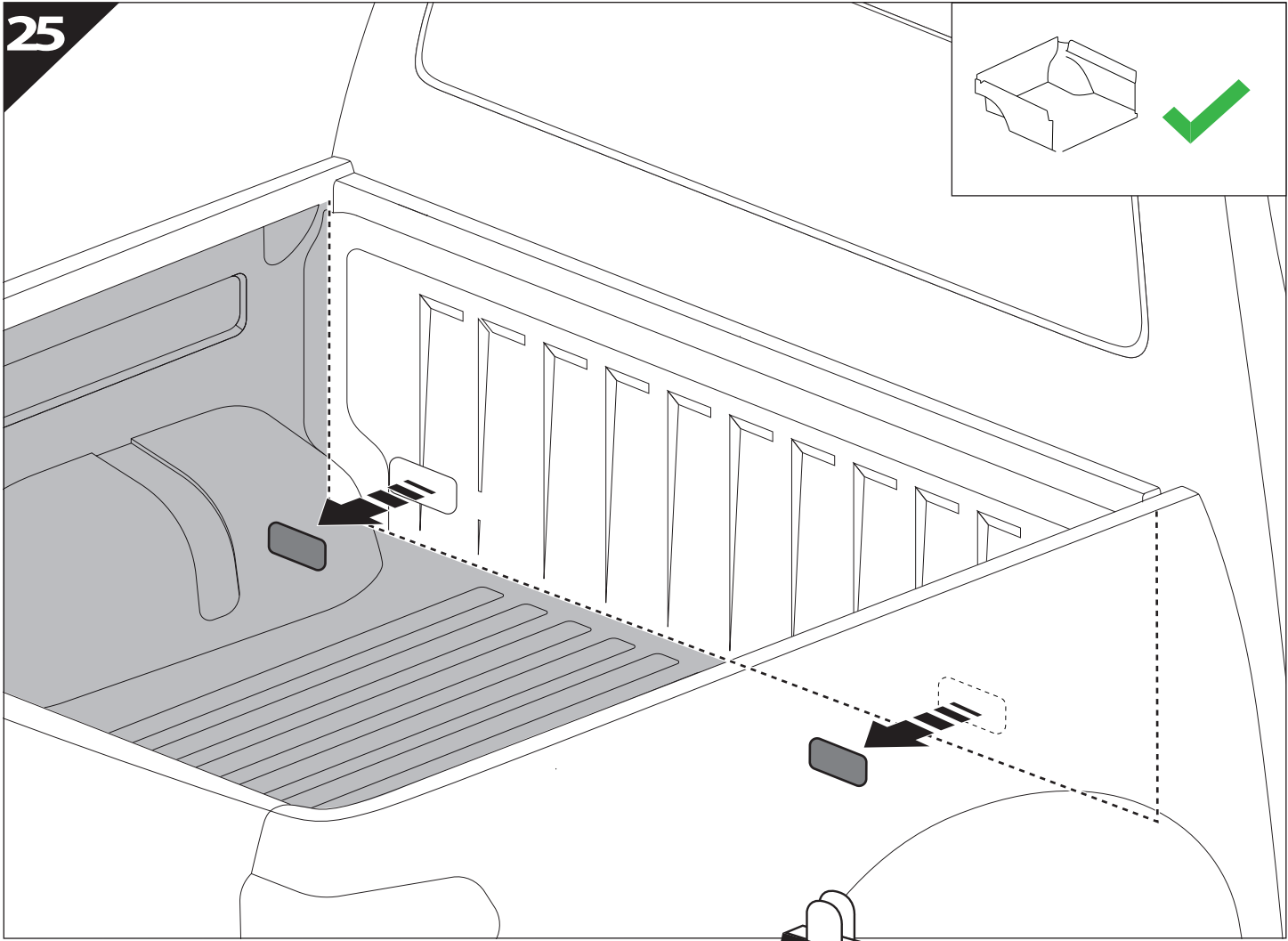
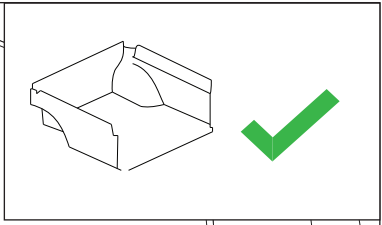
22

C:600mm D:250mm



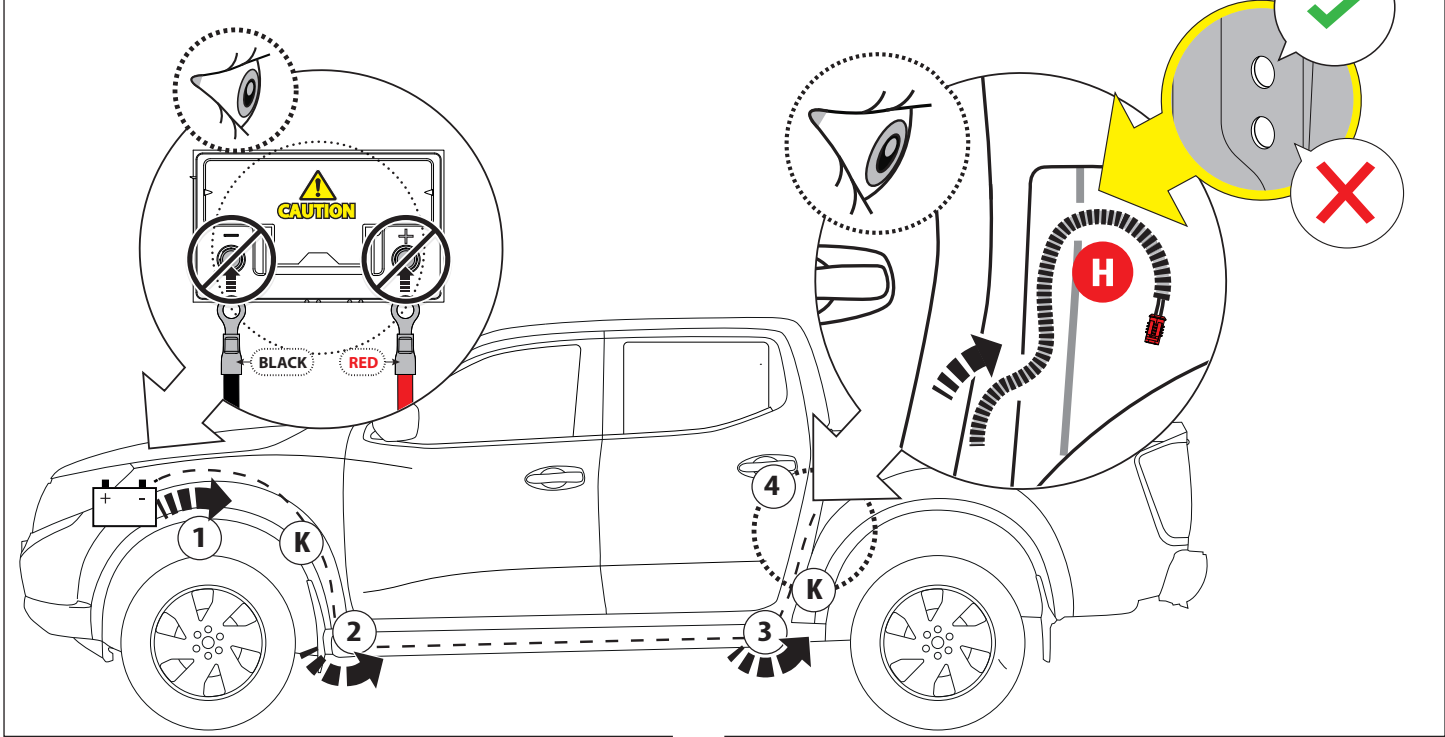
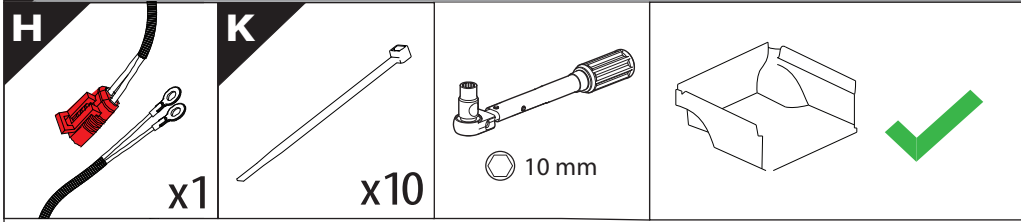


25

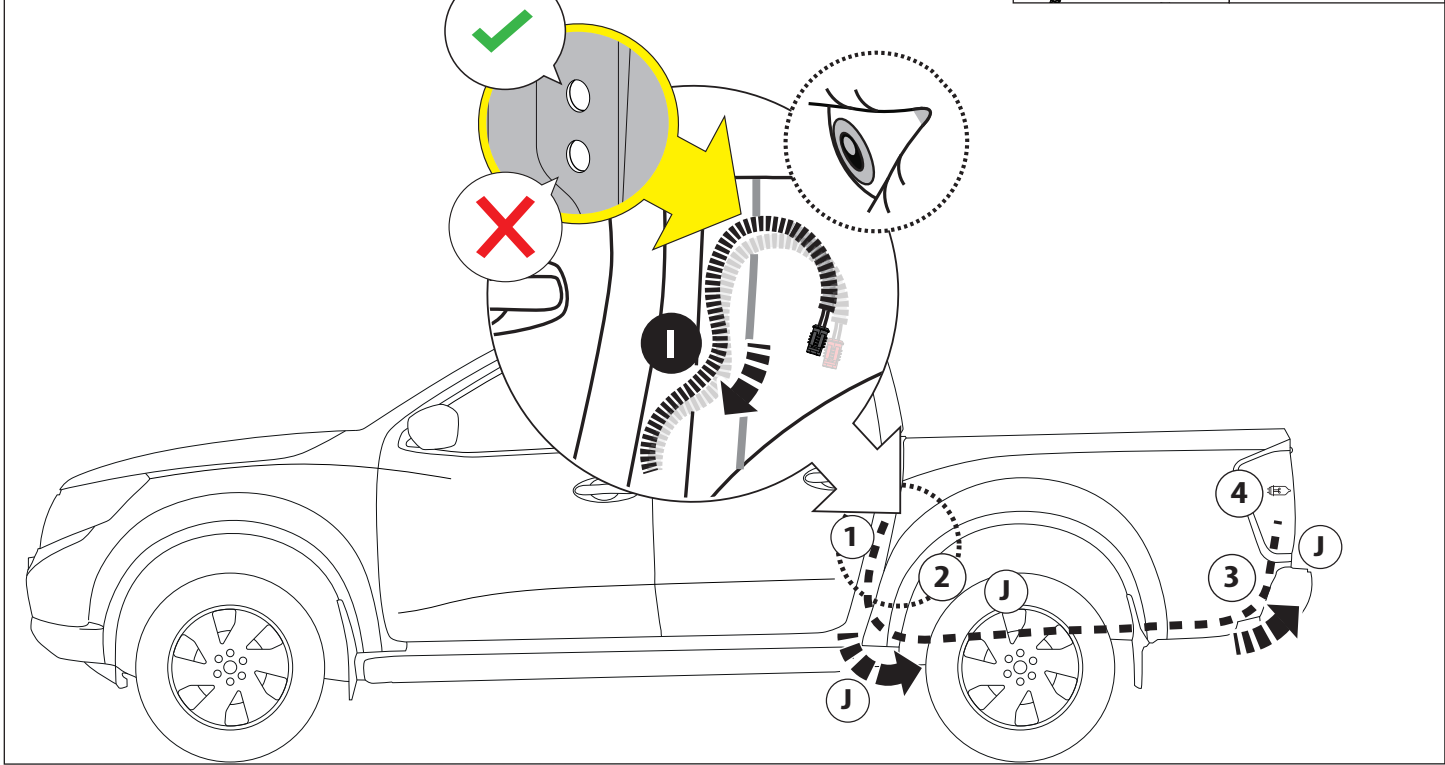
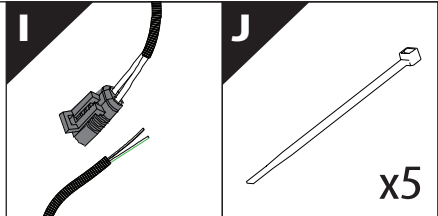


26

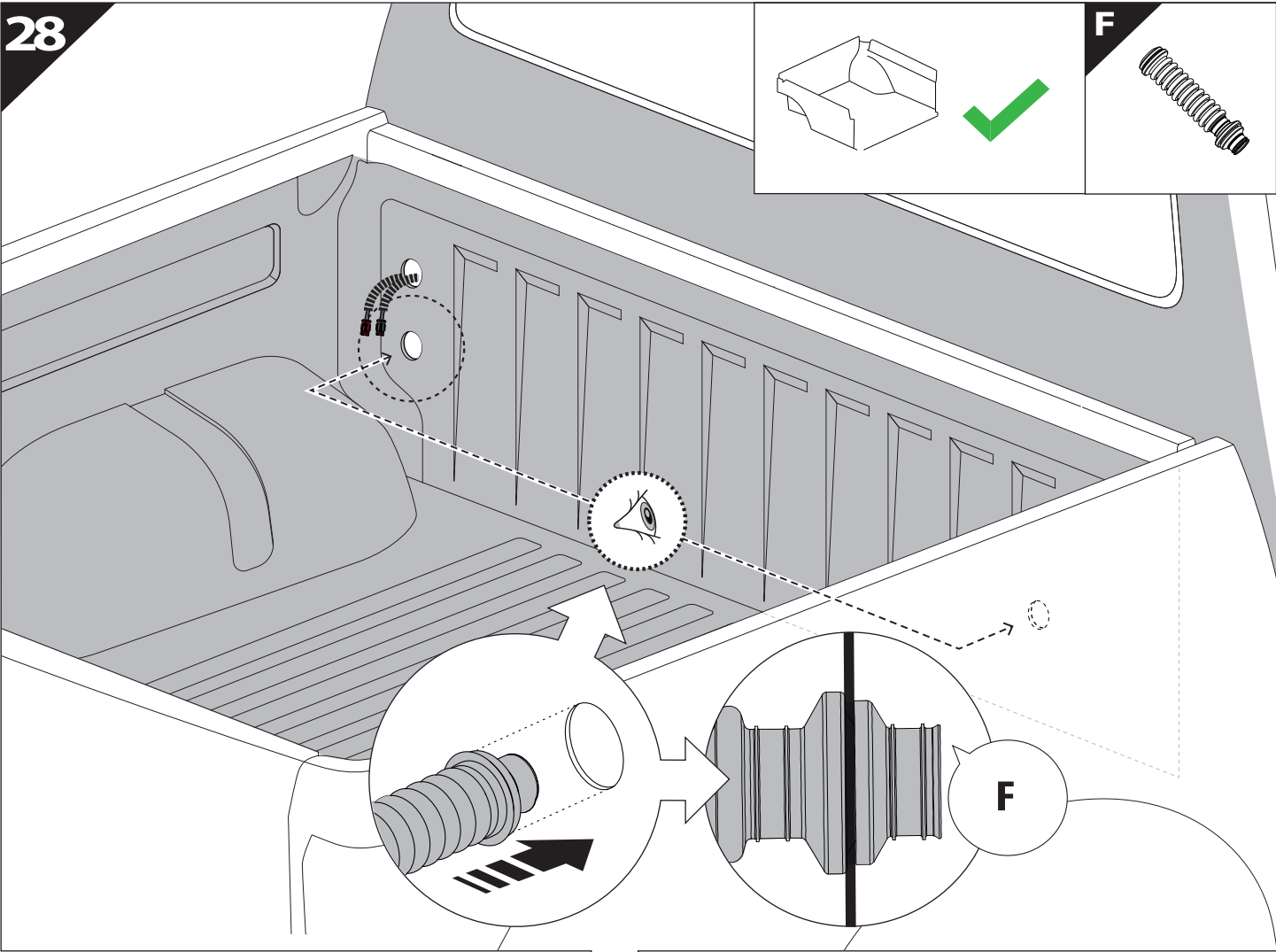
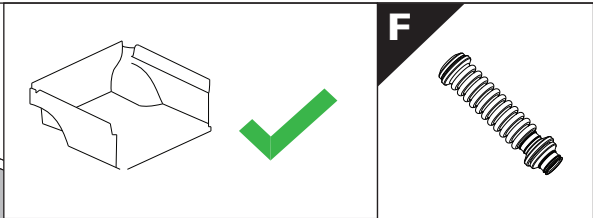
Only to be installed by authorized personnel



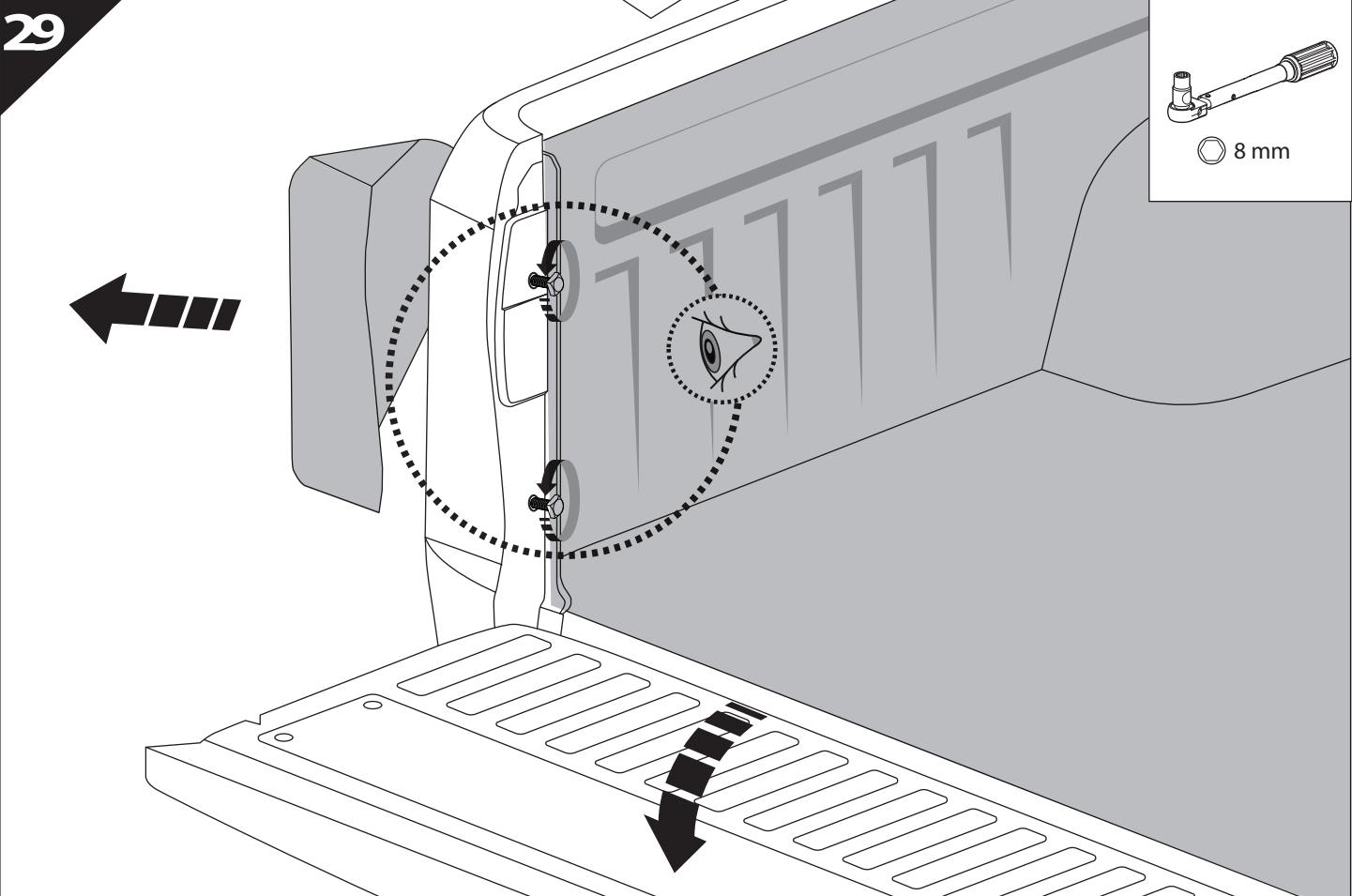
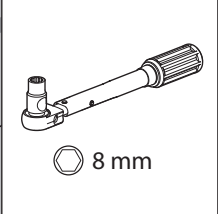
27

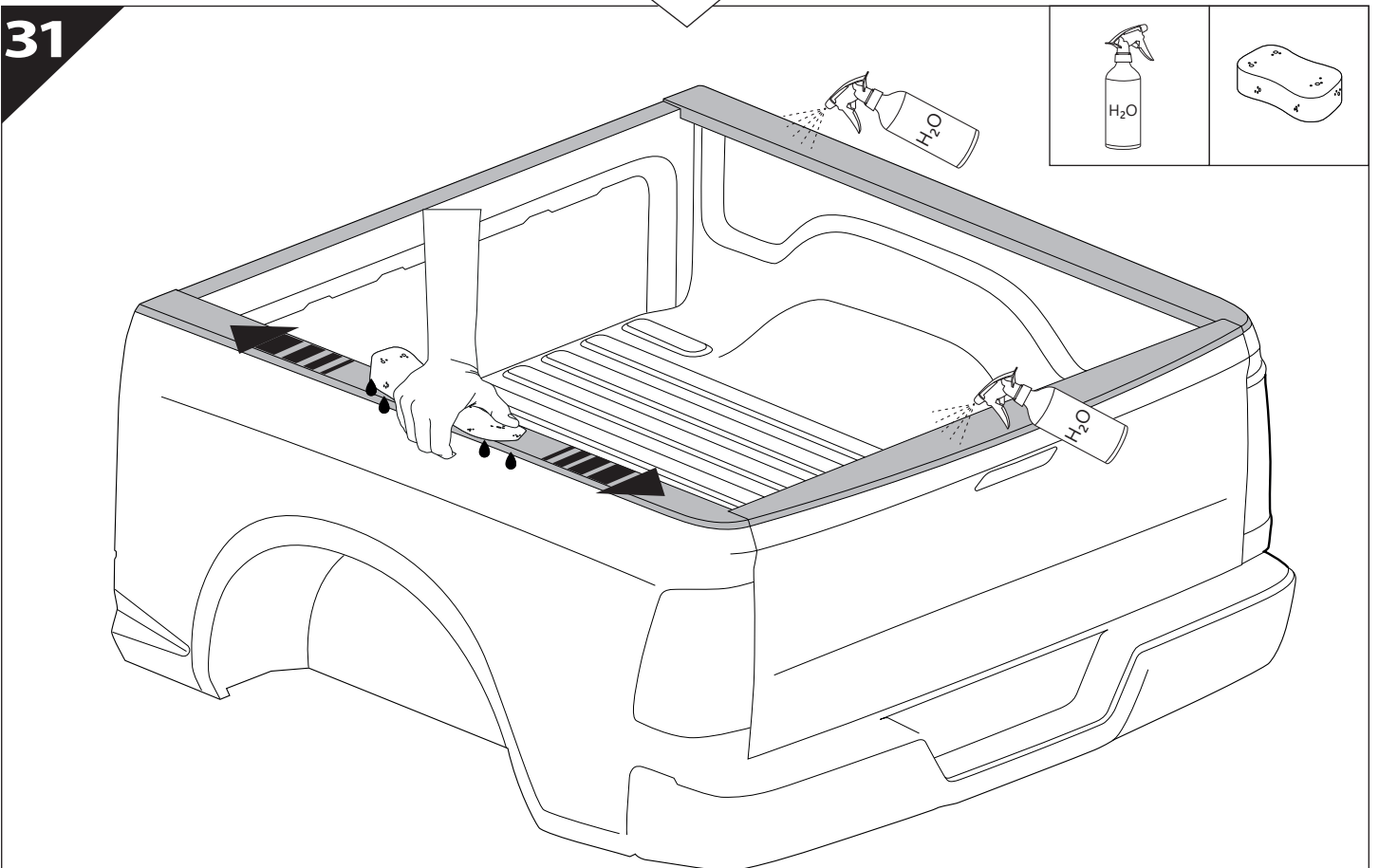
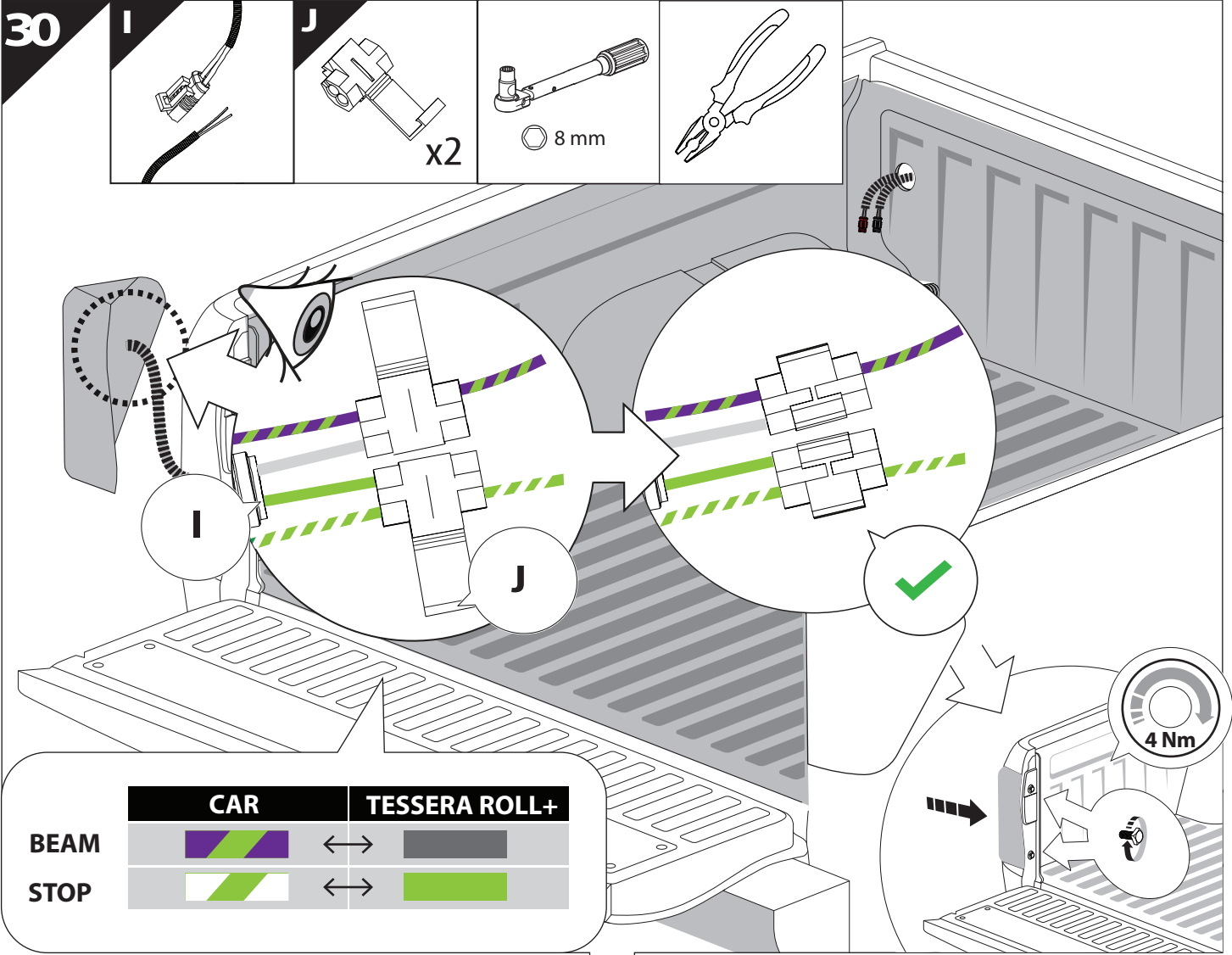


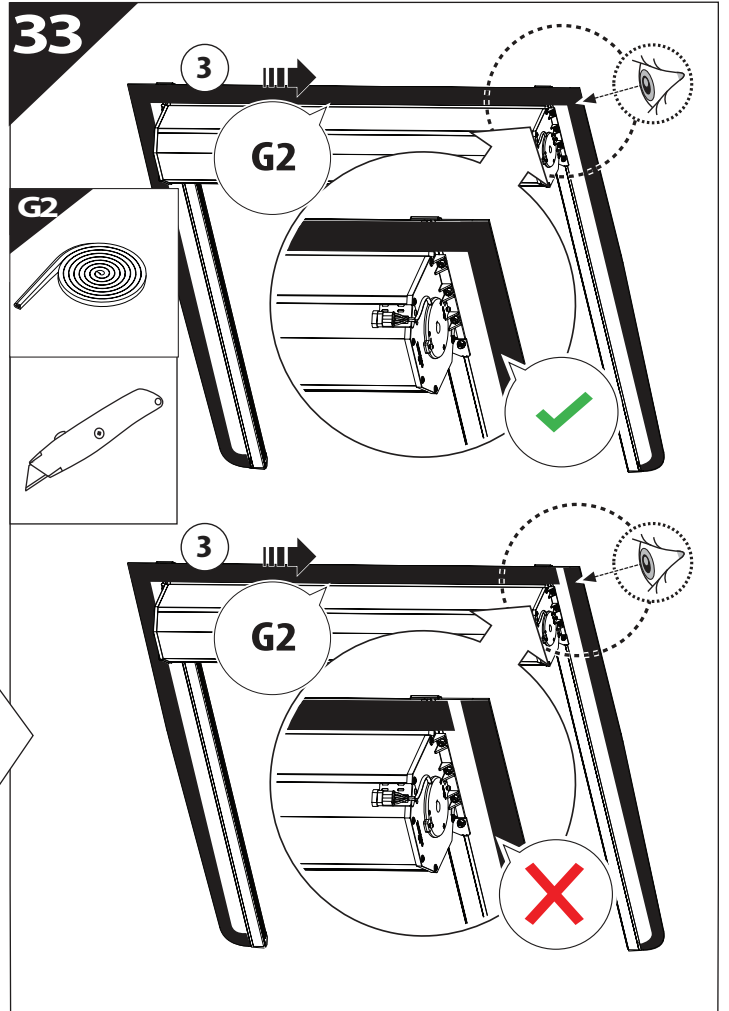
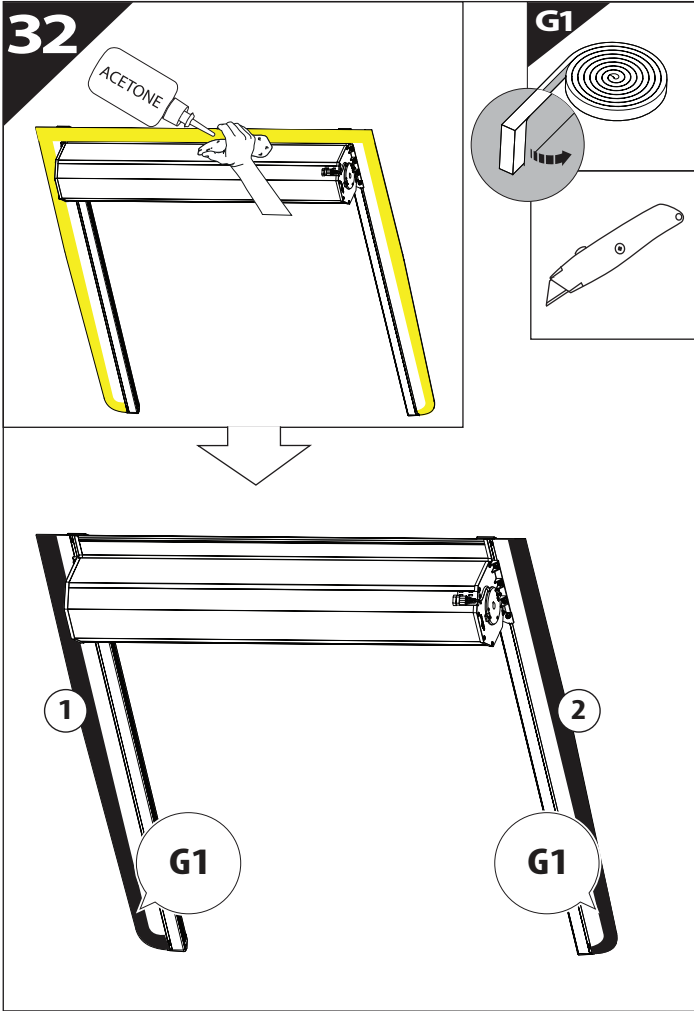
28

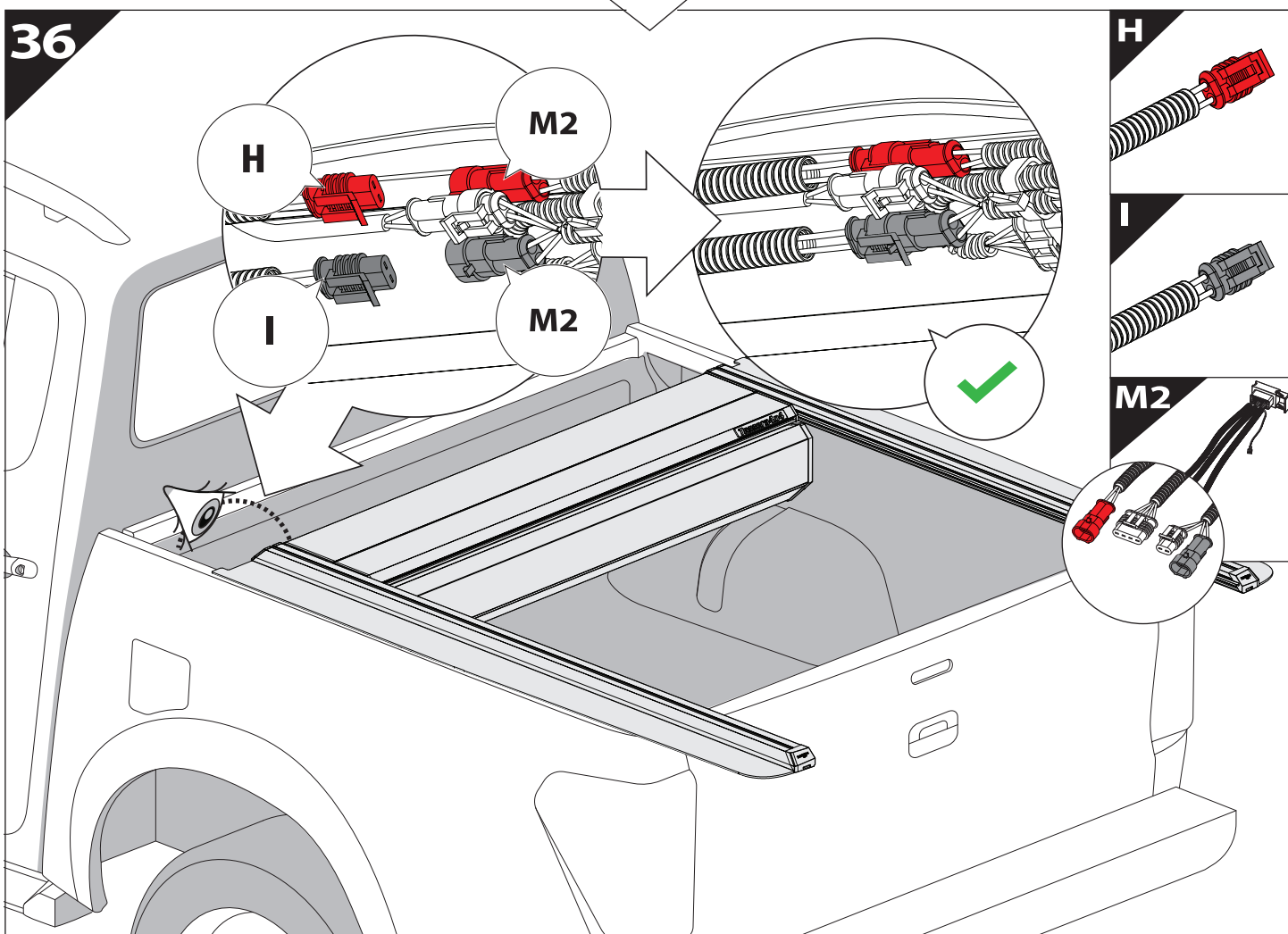
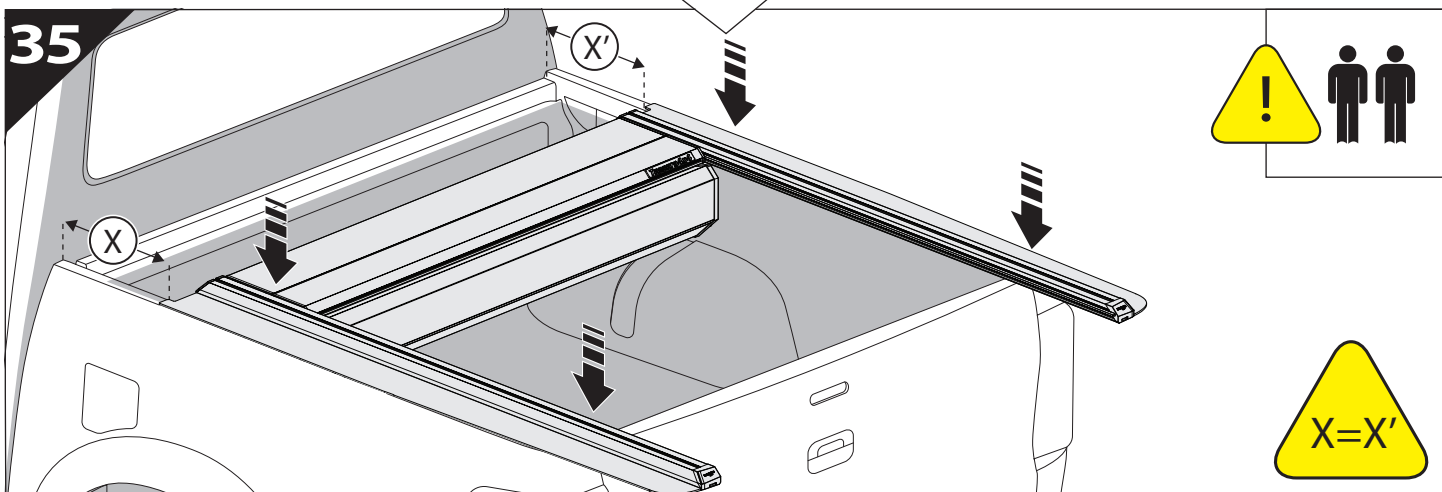
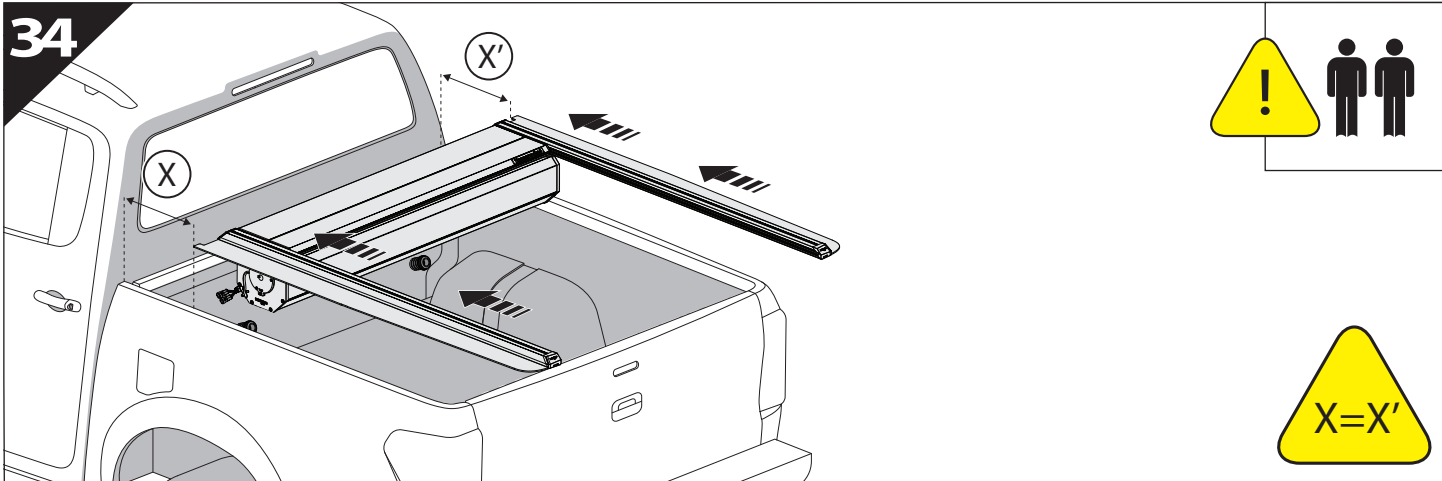


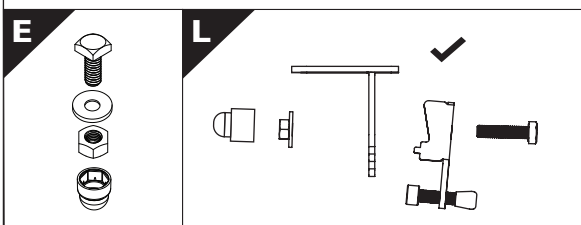
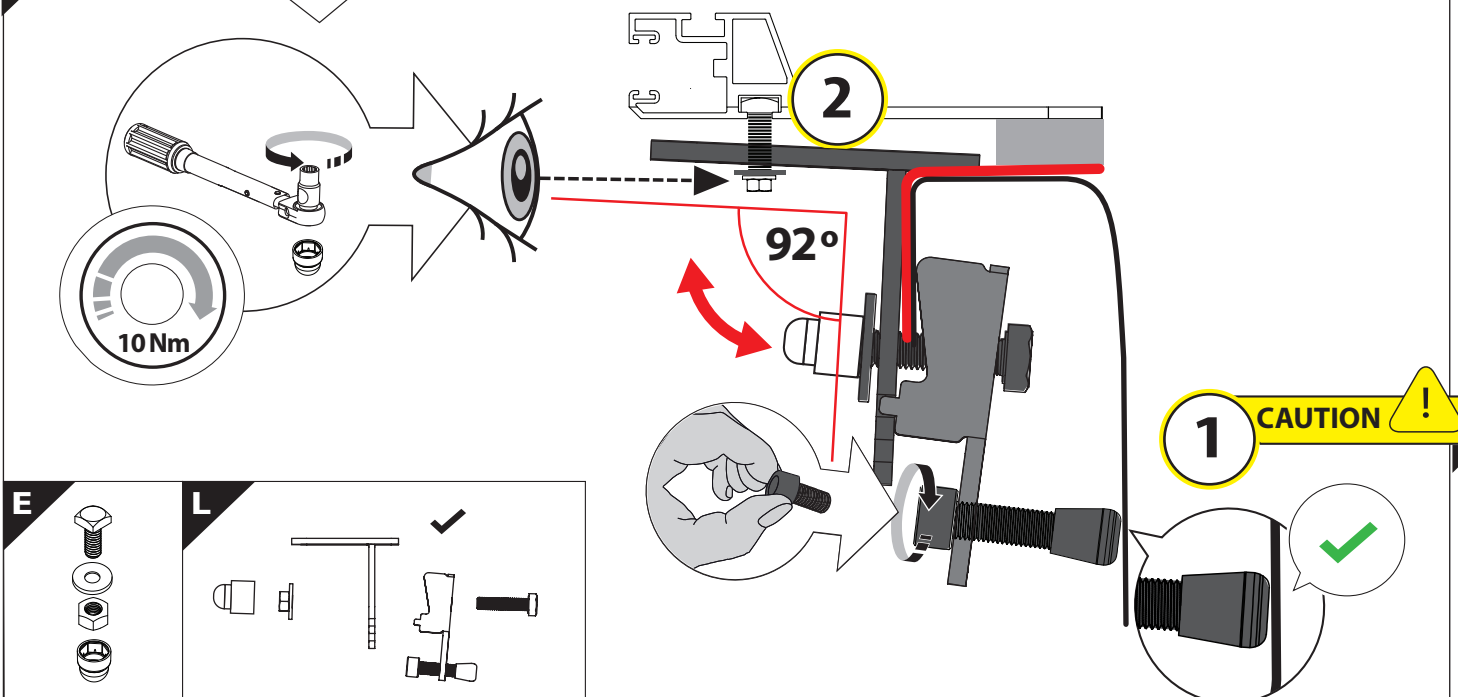
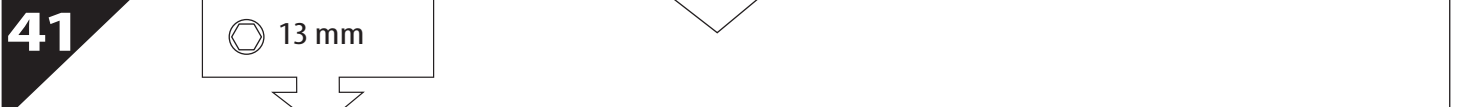
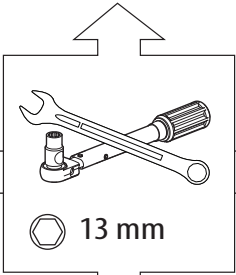
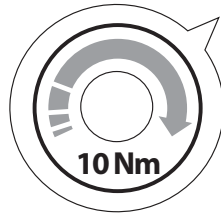
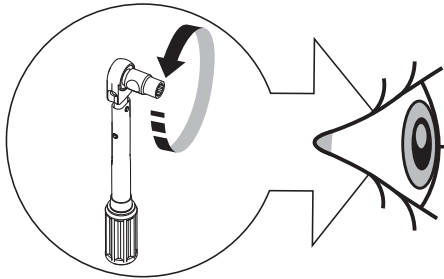
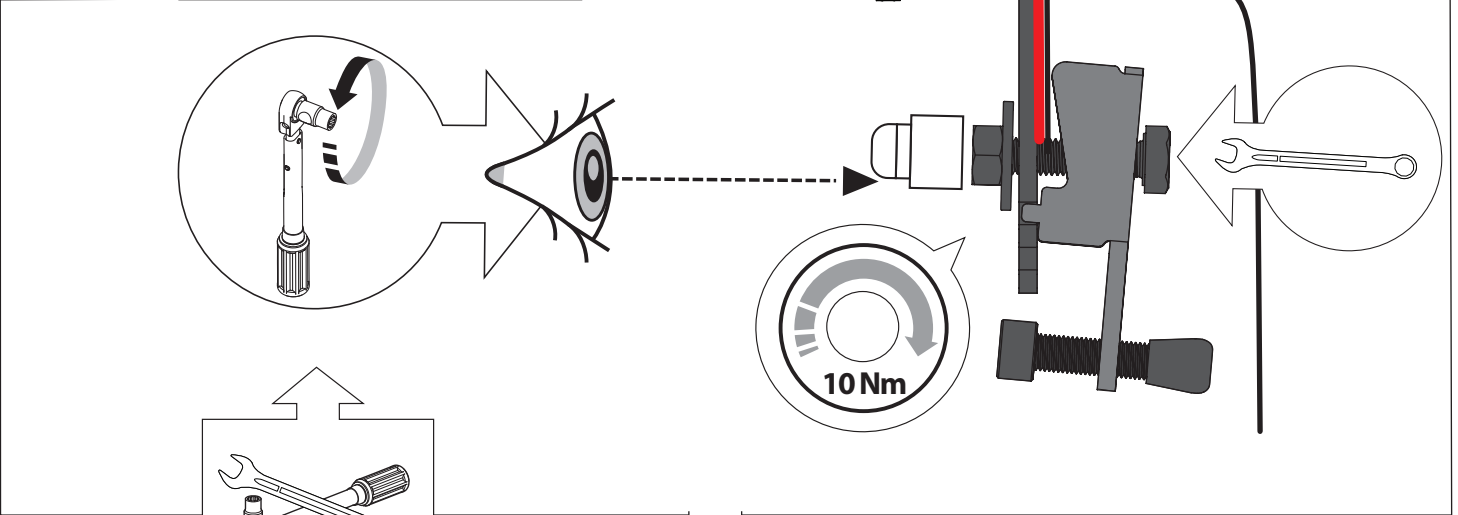
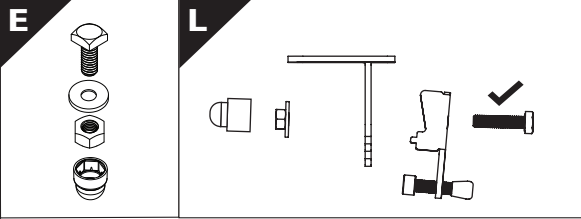
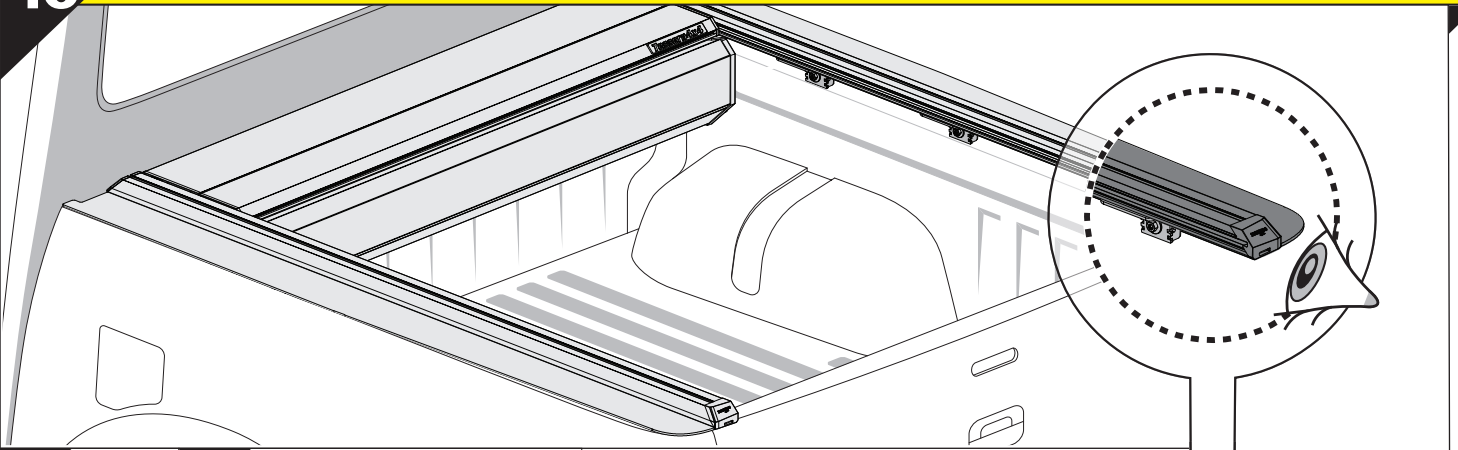
29

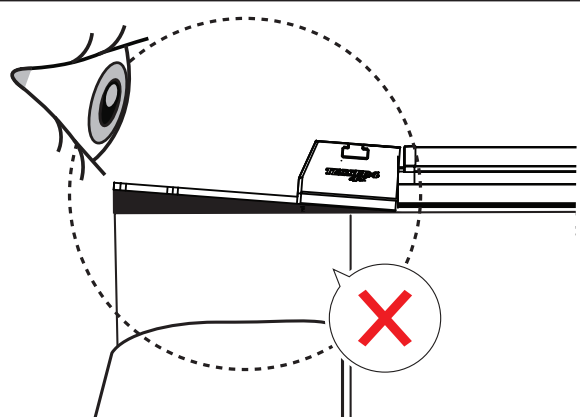
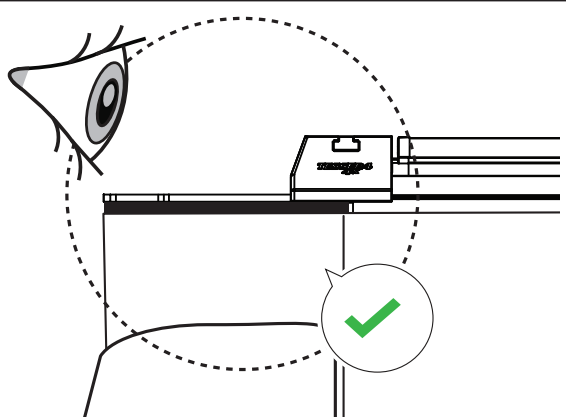
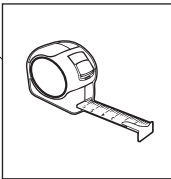
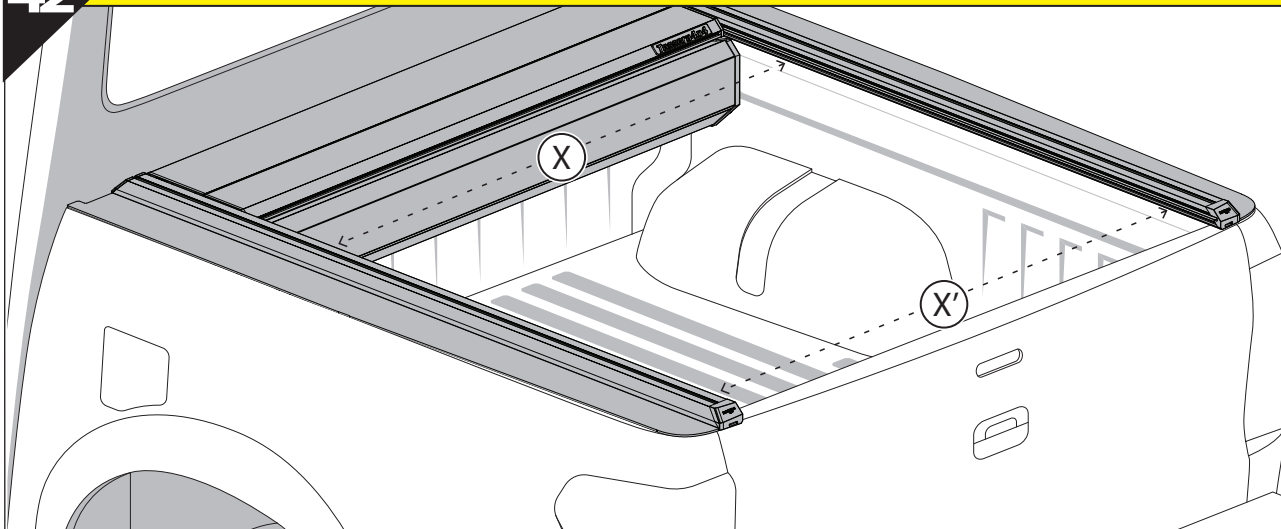




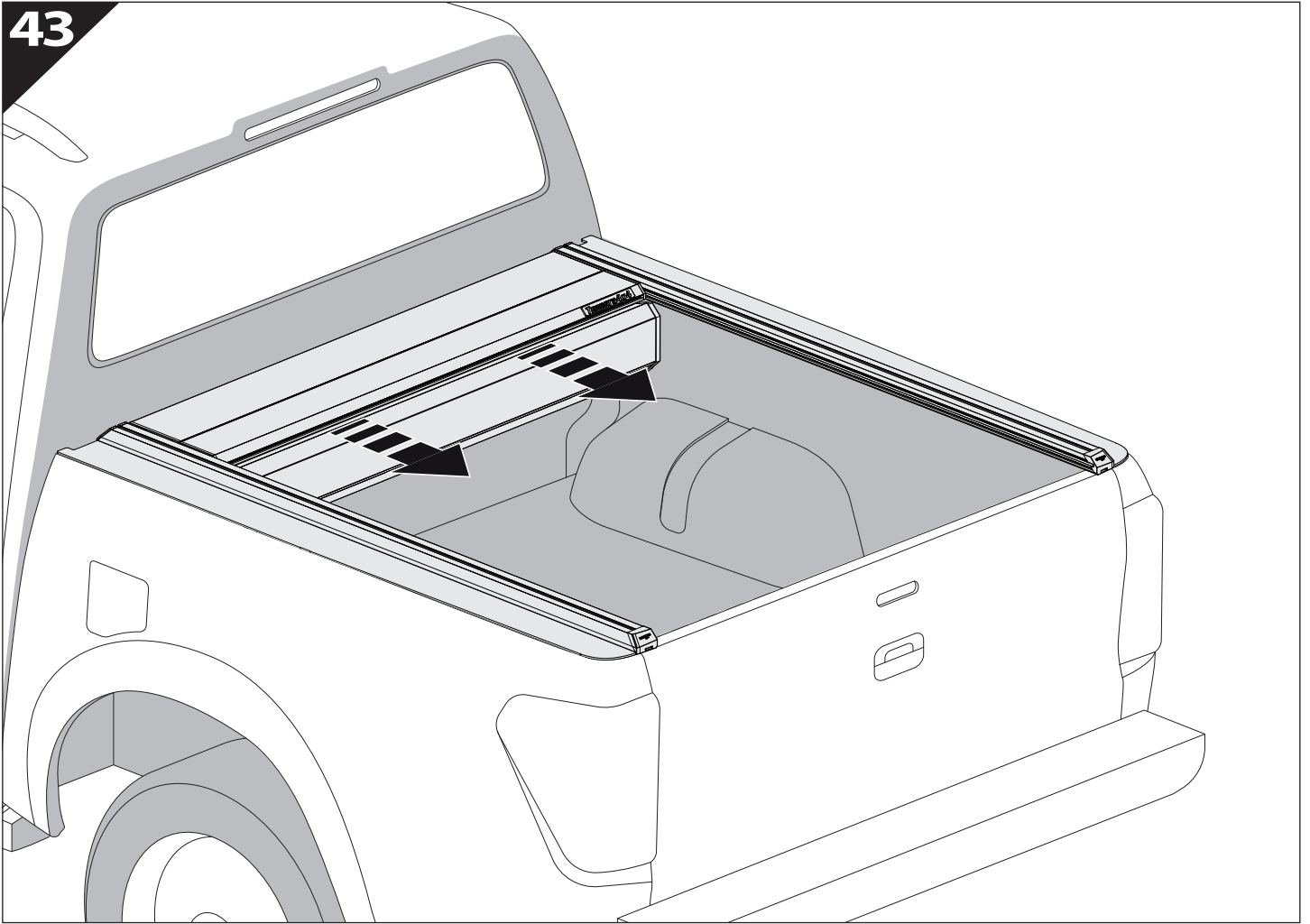




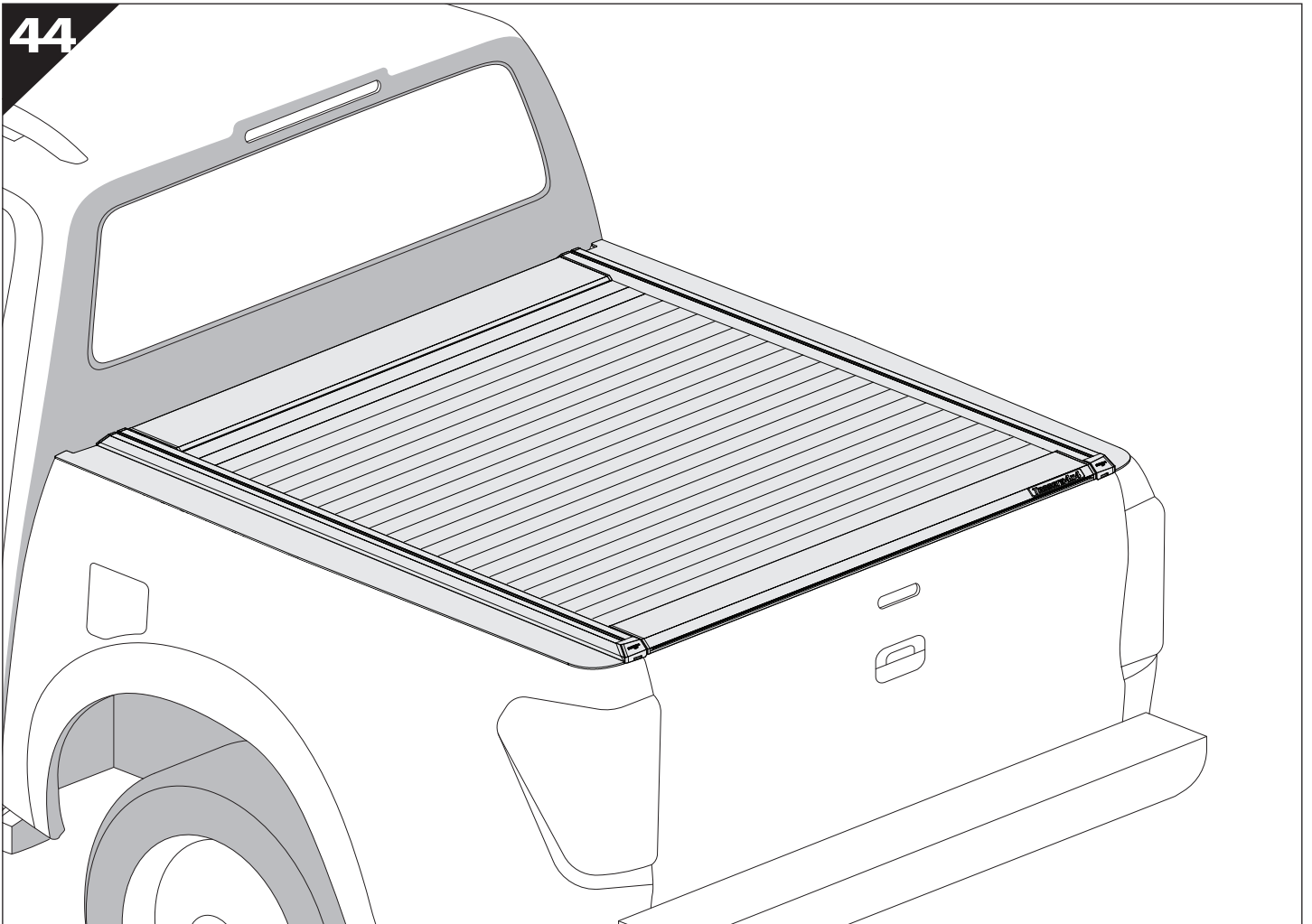




43



44





GR: Οδηγίες Εγκατάστασης
GB: Installation manual
SF: Asennusohje
F: Notice de montage
PL: Instrukcja montażu
NL: Installatie-instructies
TR: Montaj Talimatı
S: Monteringsanvisning
E: Instrucciones de montaje

H: Szerelési utasítás
P: Instruções de instalação
RUS: Инструкция по установке
N: Monteringsveiledning
D: Einbauanleitung
CZ: Návod k instalaci
I: Istruzioni de montaggio
DK: Monteringsvejledning
RO: Instructiuni de instalare

Customer Service:

+30 (210) 5541161, +30 (210) 5541154 (08:00 - 16:00 EET)

Support department:

info@gianso.gr

Website:

www.tessera4x4.com

Address:

19.5 km of National road Athens-Korinthos (Elefsina) Greece, P.C: 19200