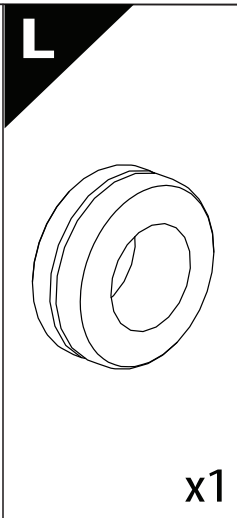
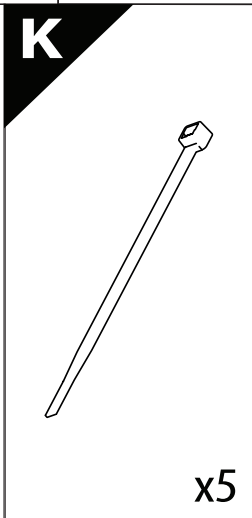
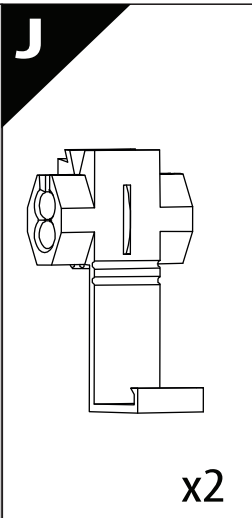
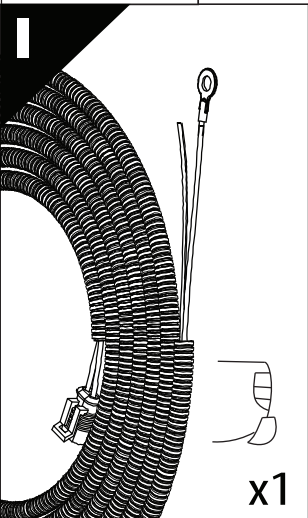
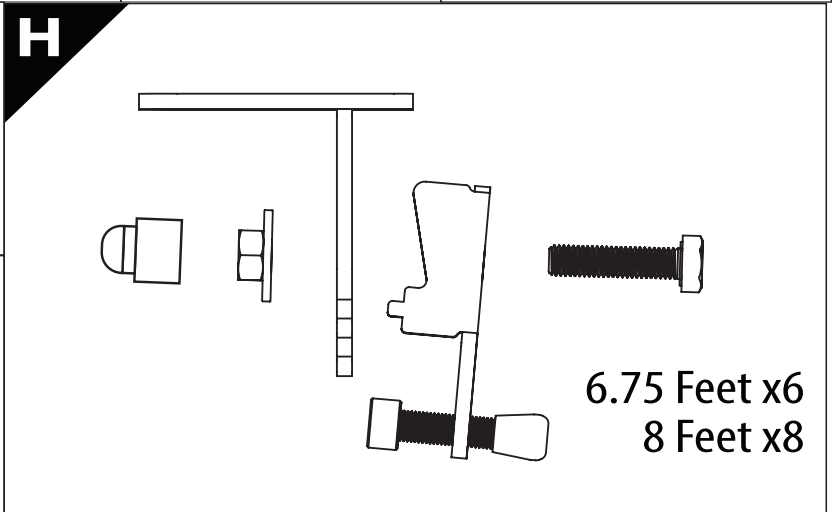
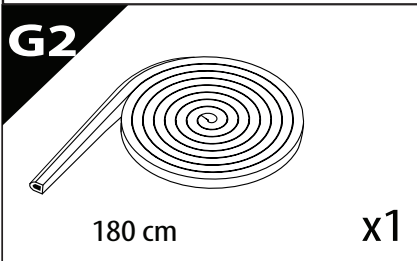
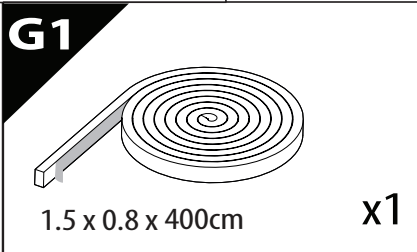
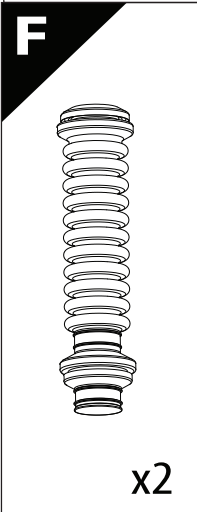
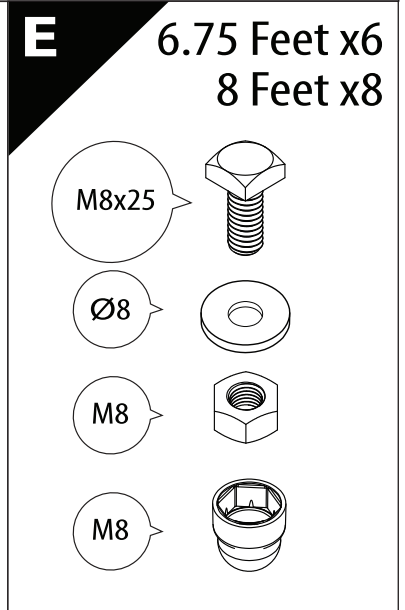
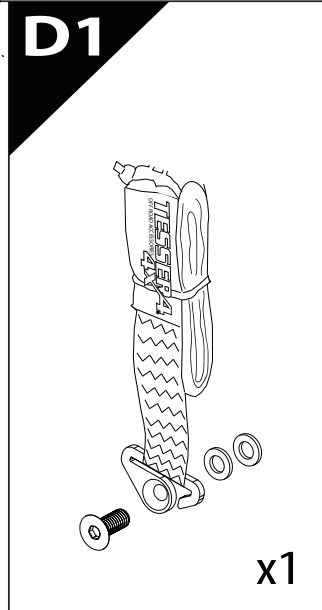
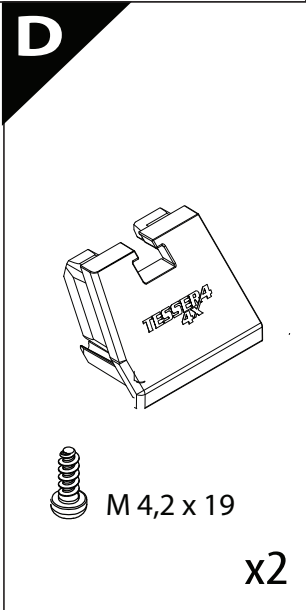
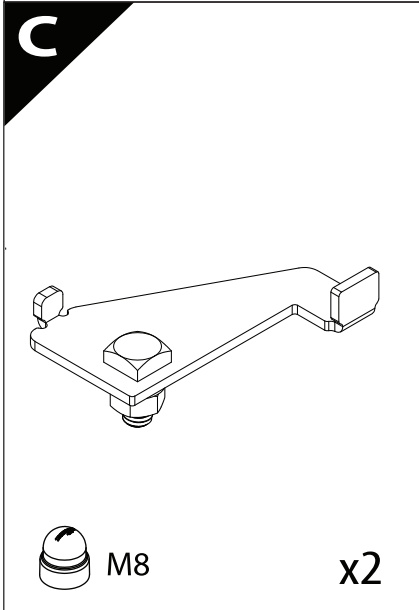
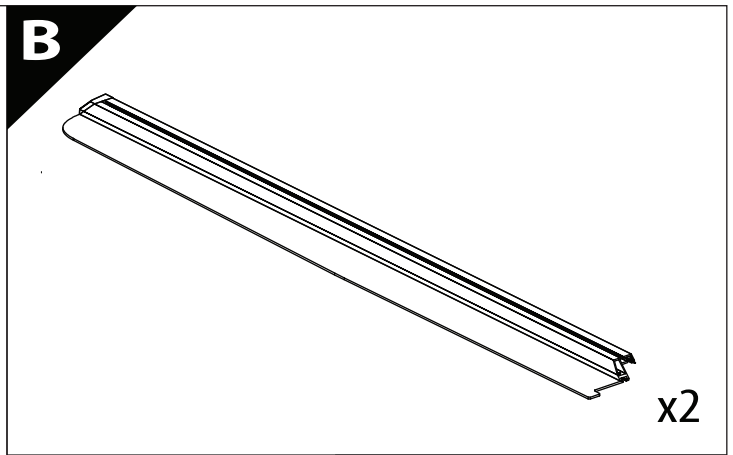
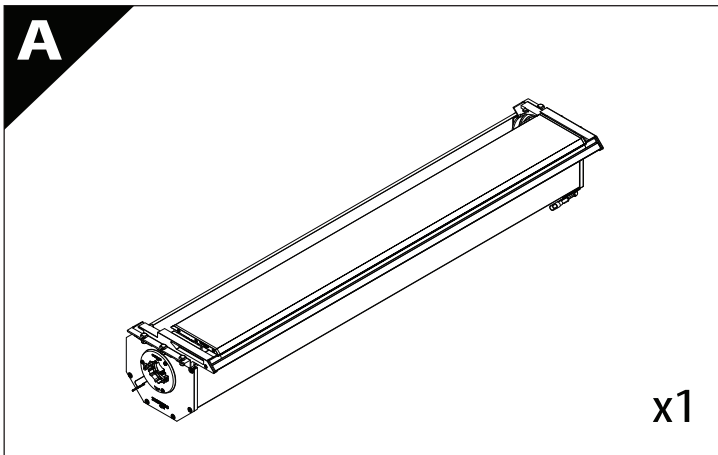
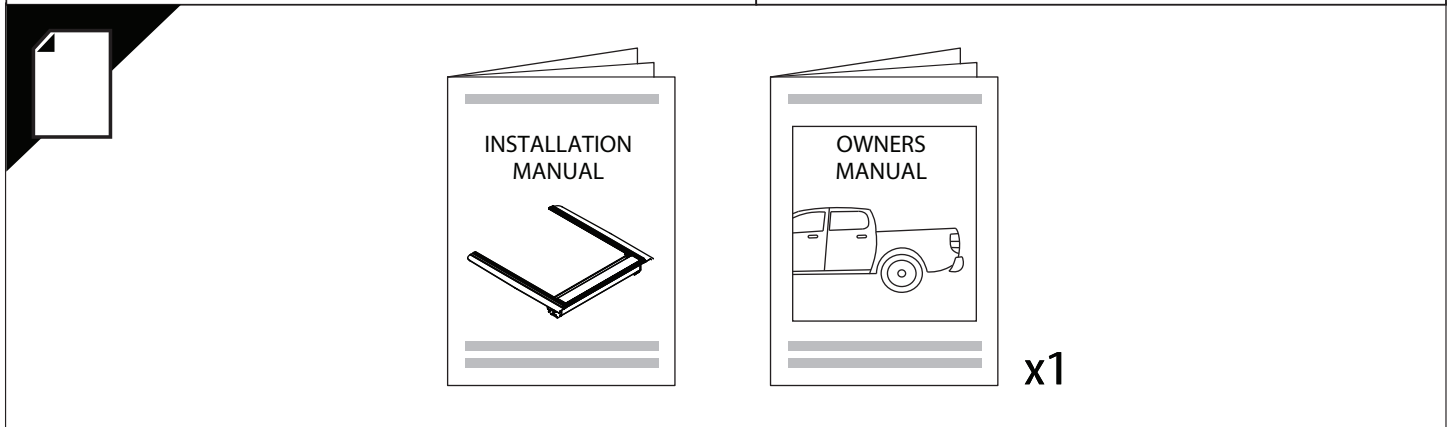
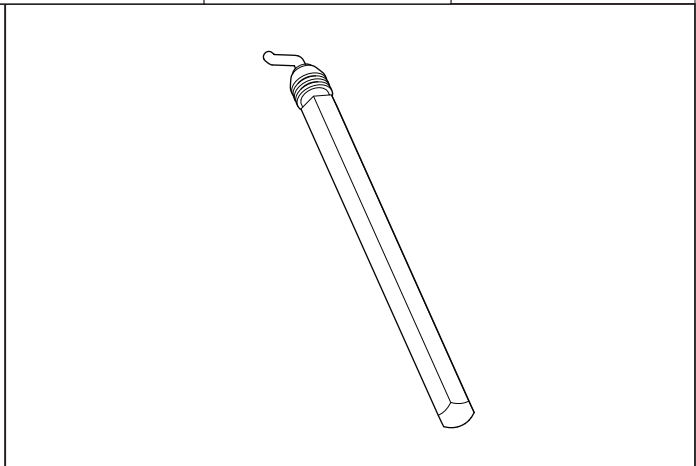
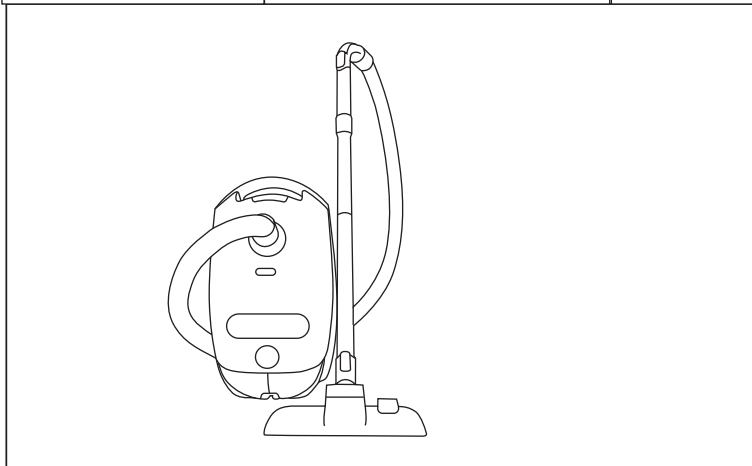
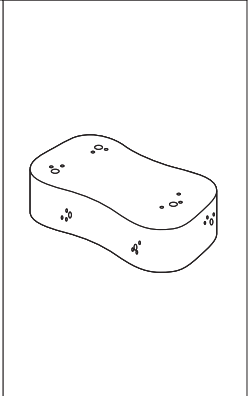
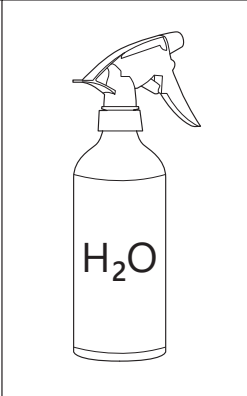
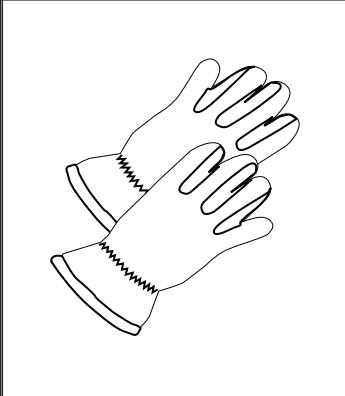
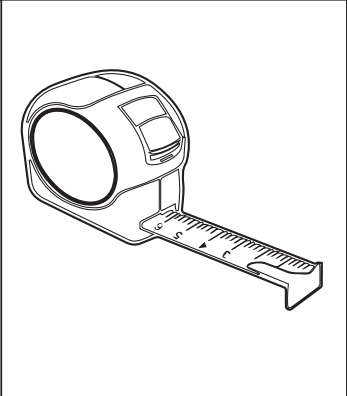
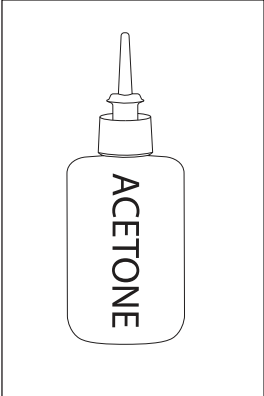
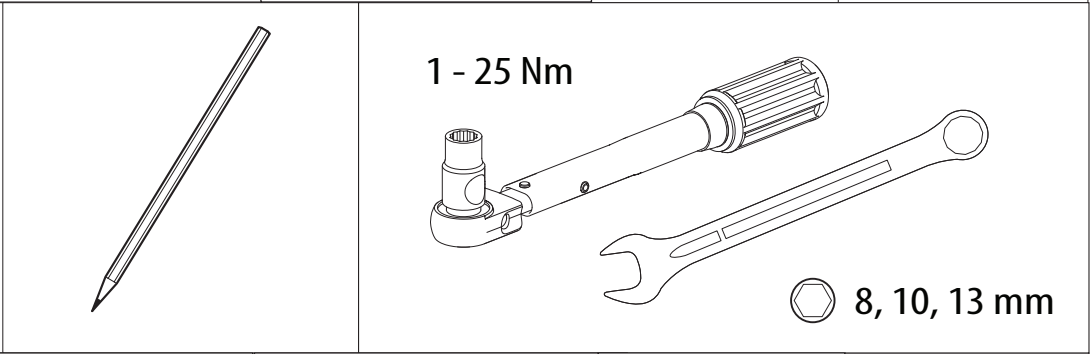
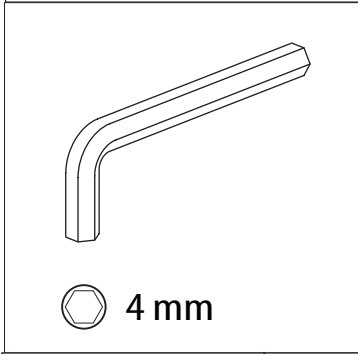
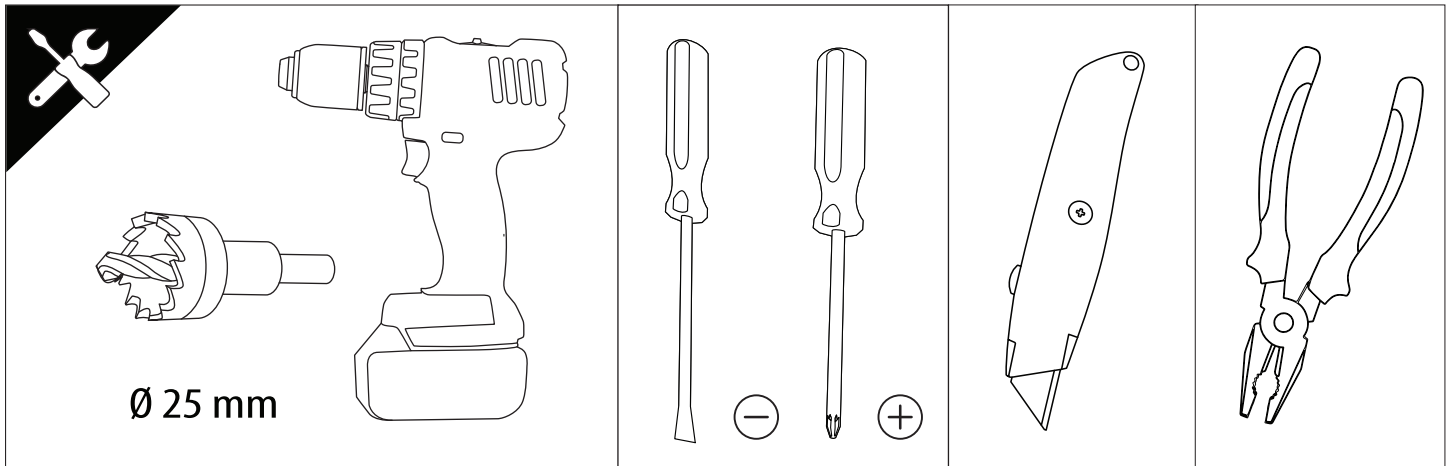


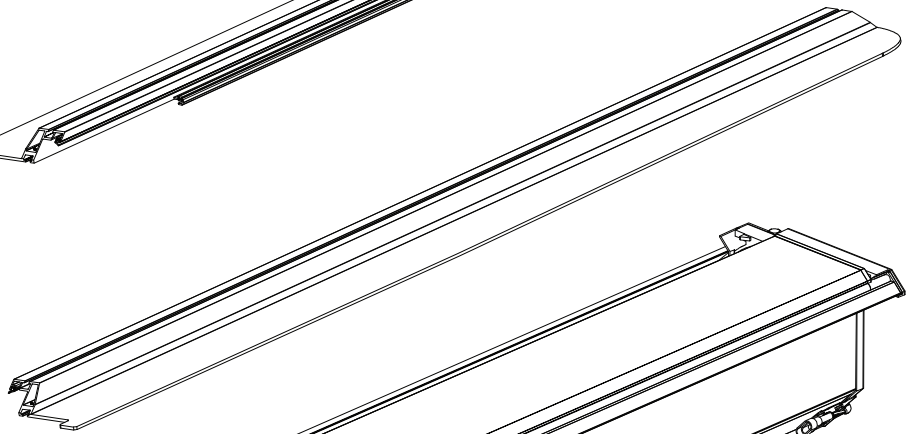
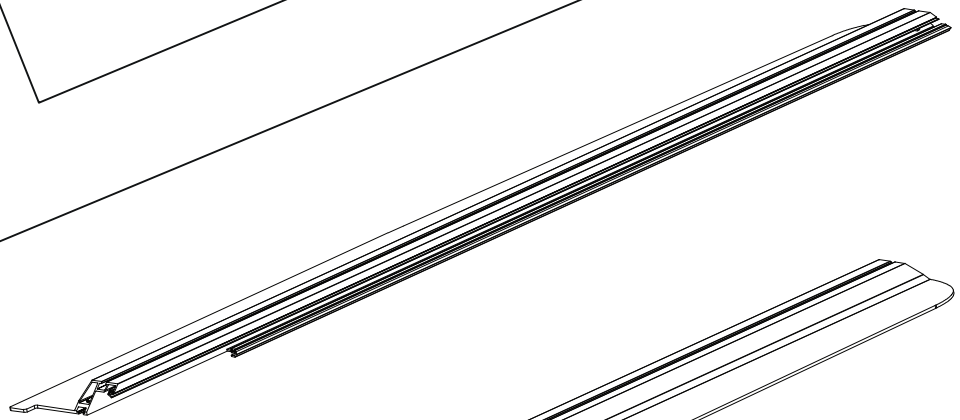
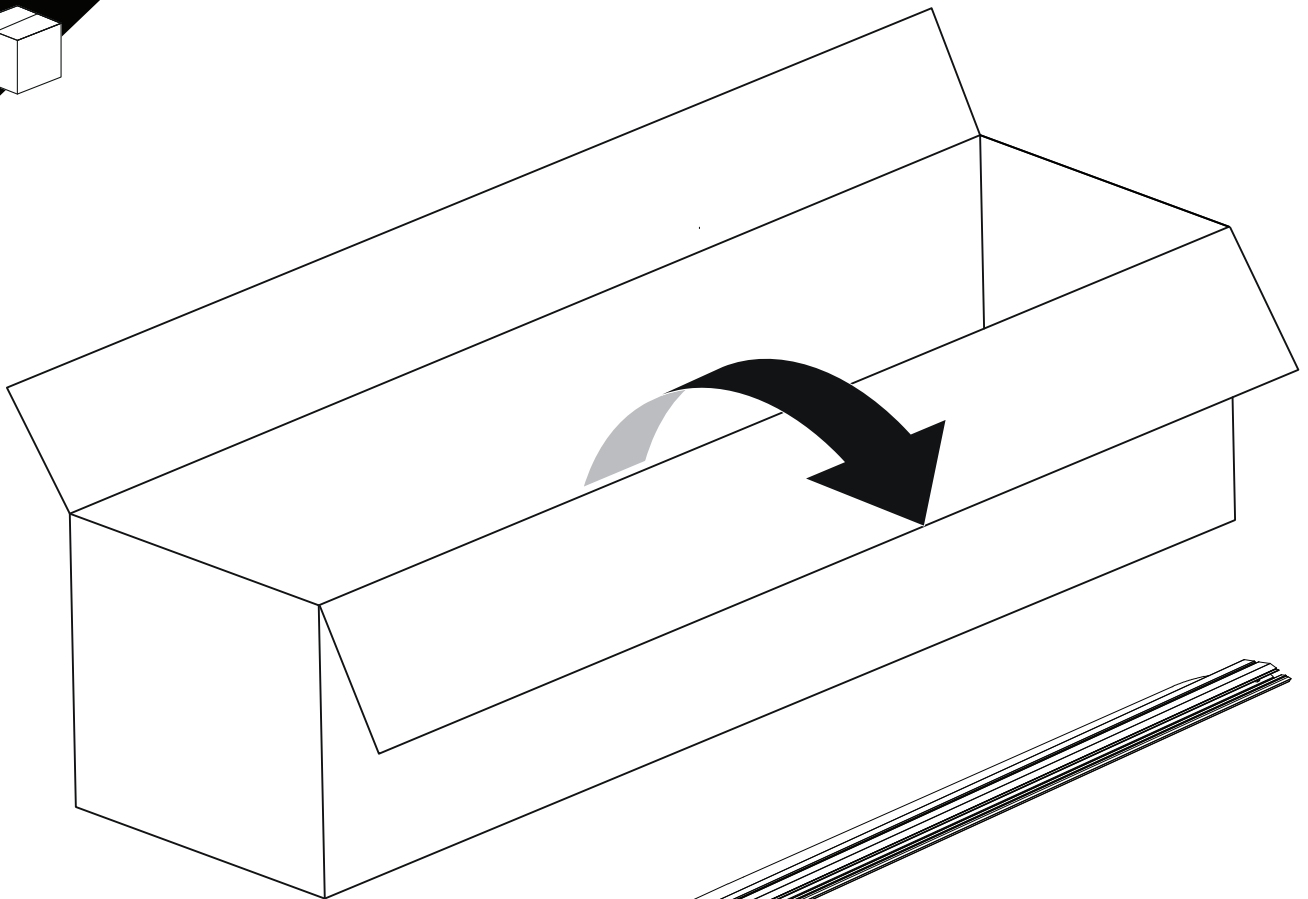
# Installation Manual

PART NUMBER(S)		Model Year
TESS 1532 SE	TESS 1632 SE+	Ford F-250 / 350 2023+
TESS 15321 SE	TESS 16321 SE+	
Feet		Installation Time / Weight
6.75 Feet & 8 Feet		40-60 minutes / 53-57 kg

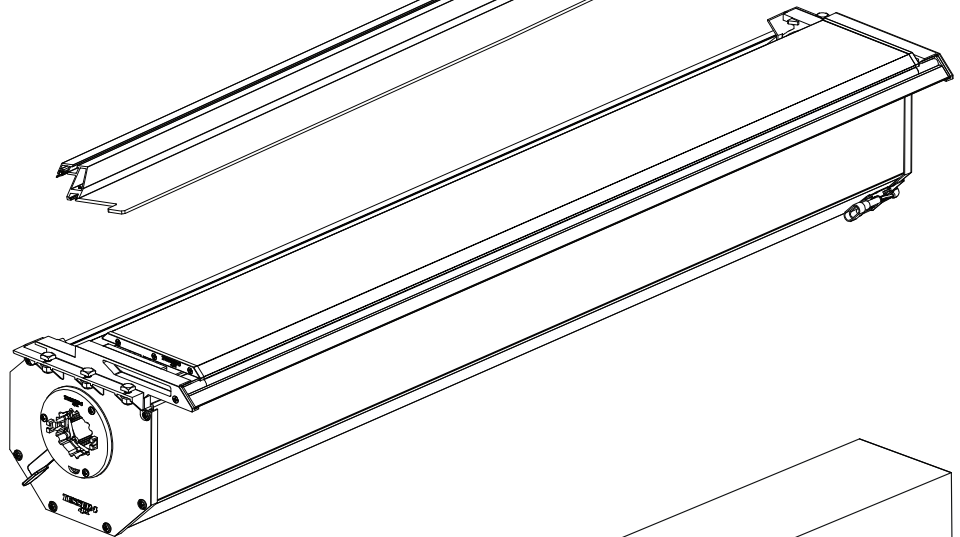






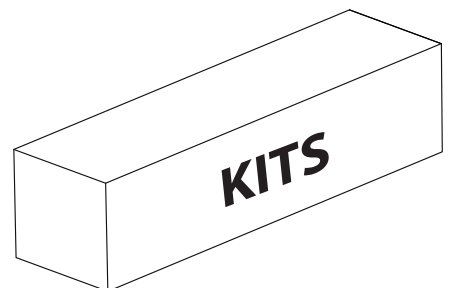


**B**

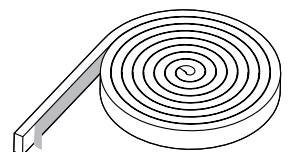


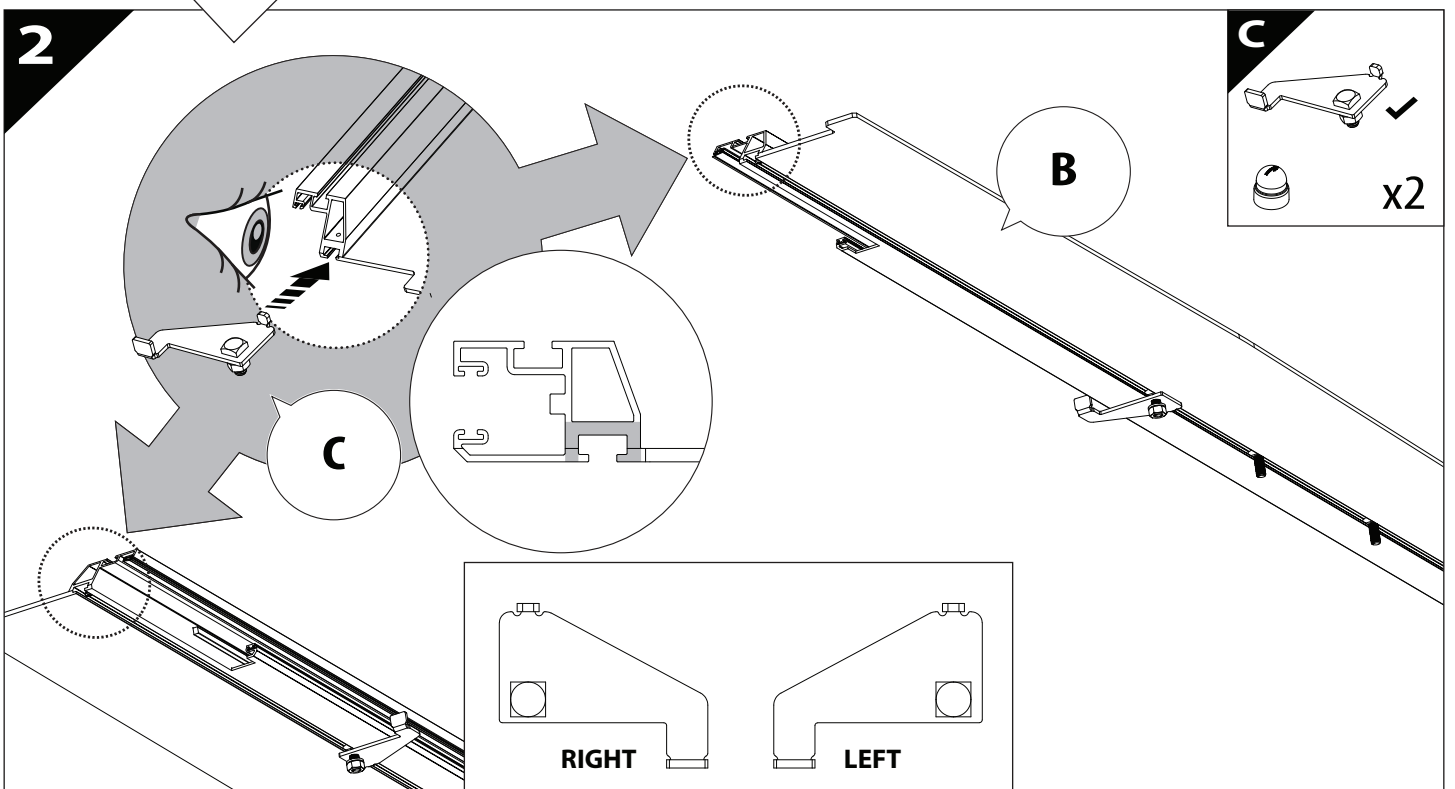
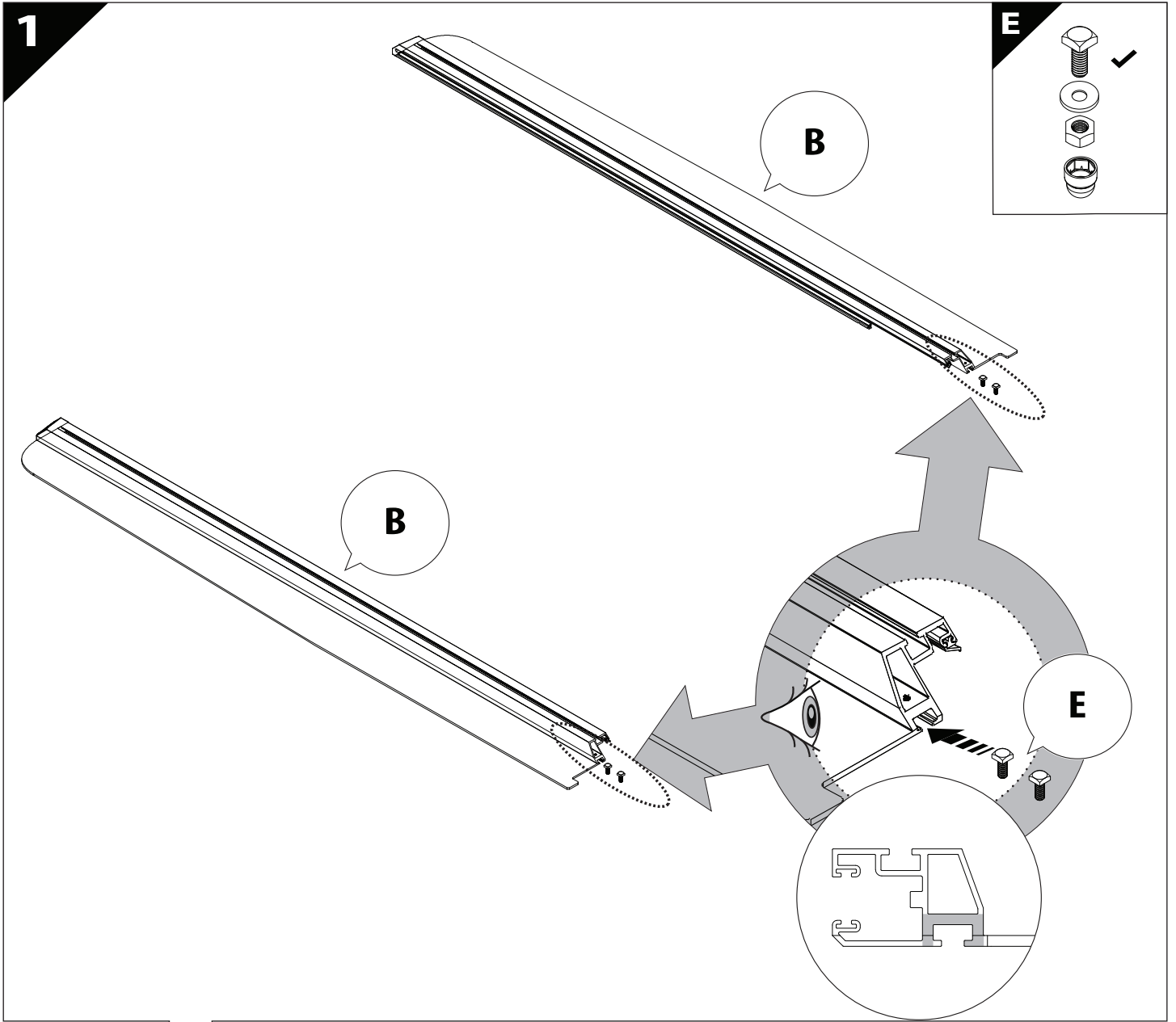
**A**

**KITS**

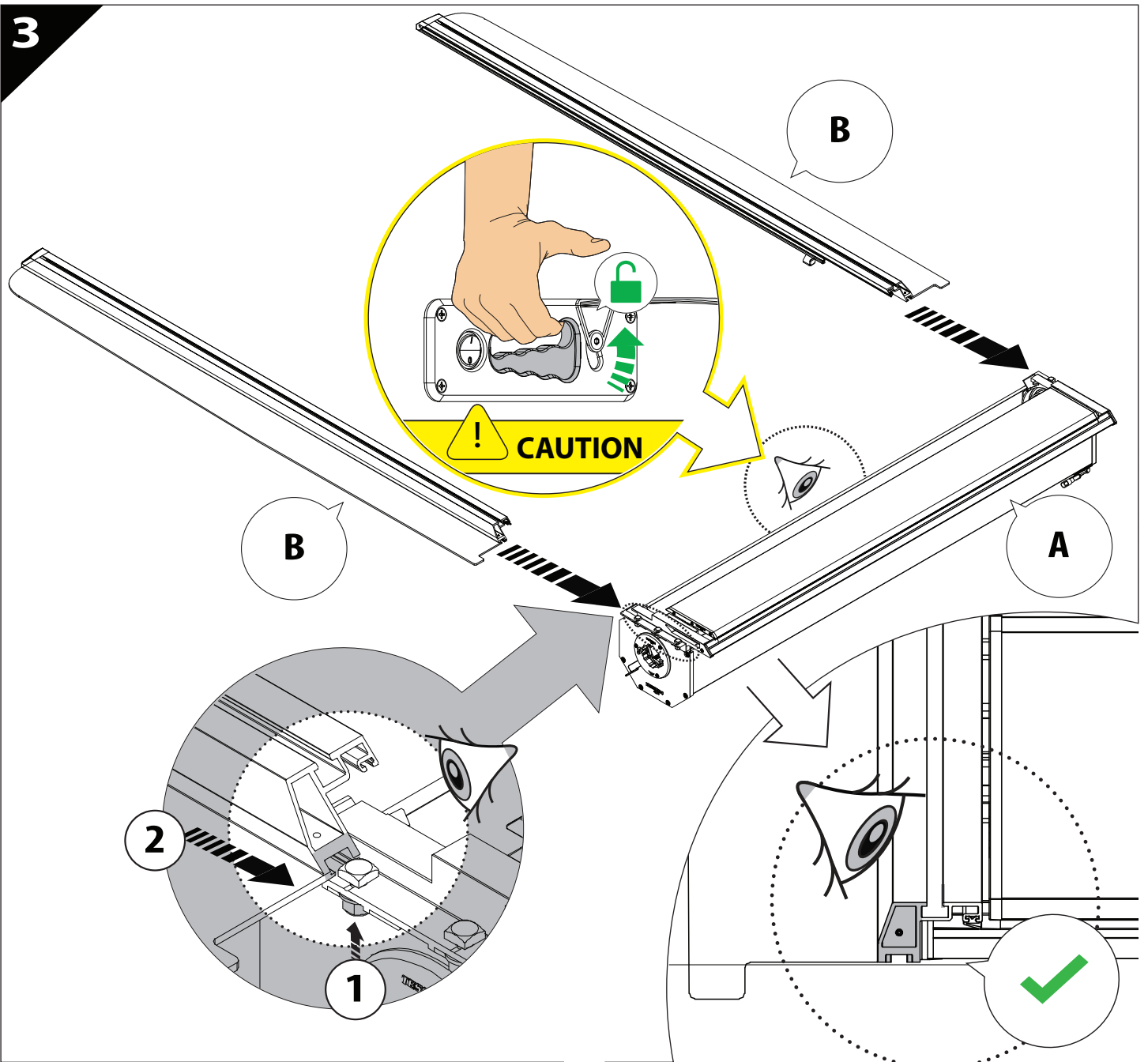


**G**

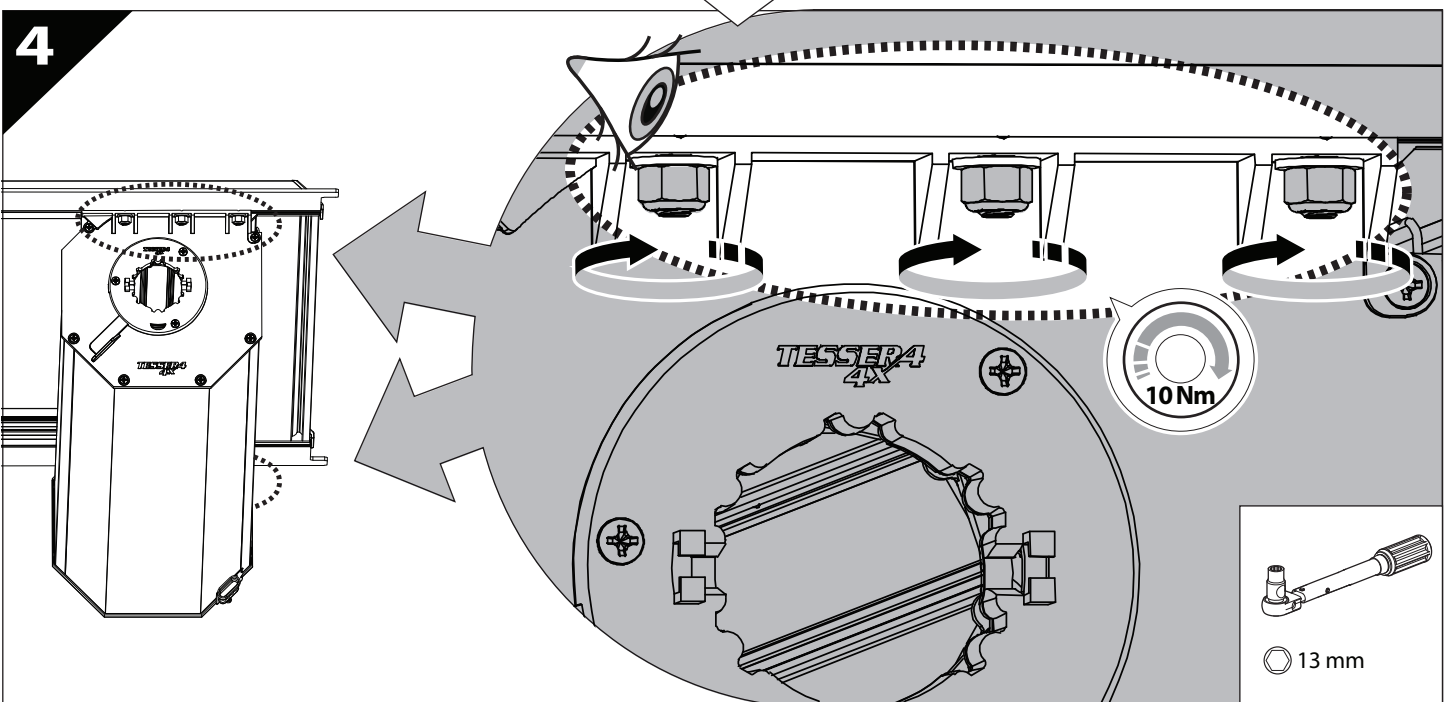


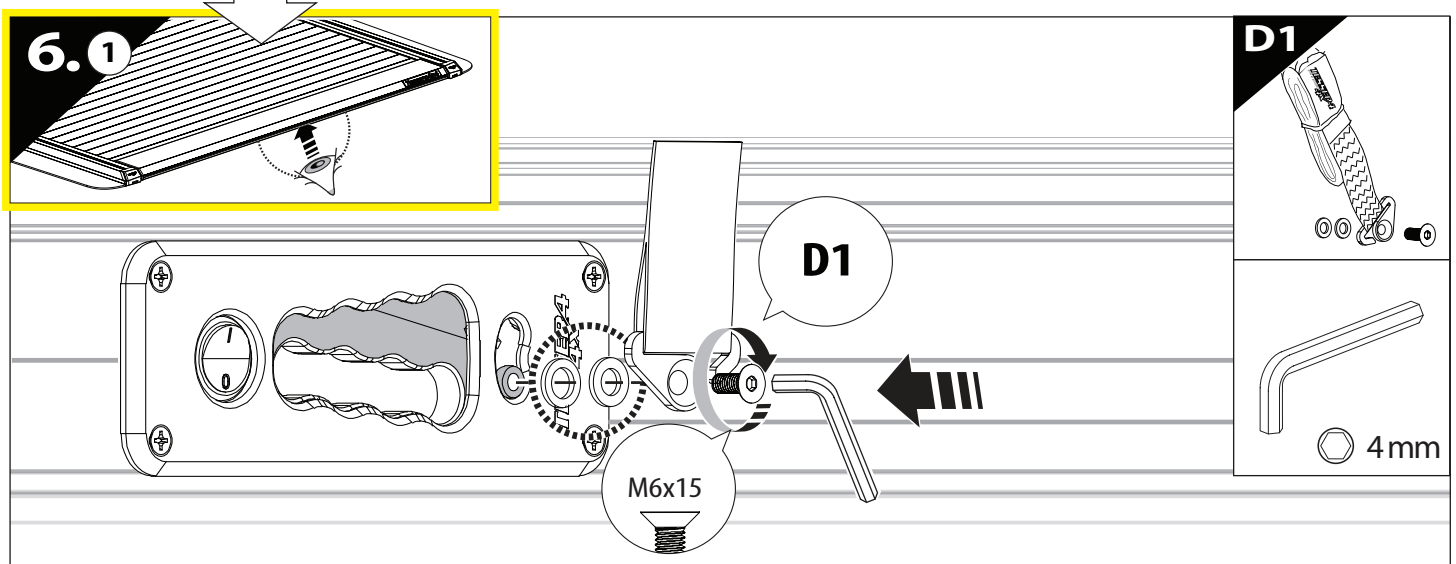
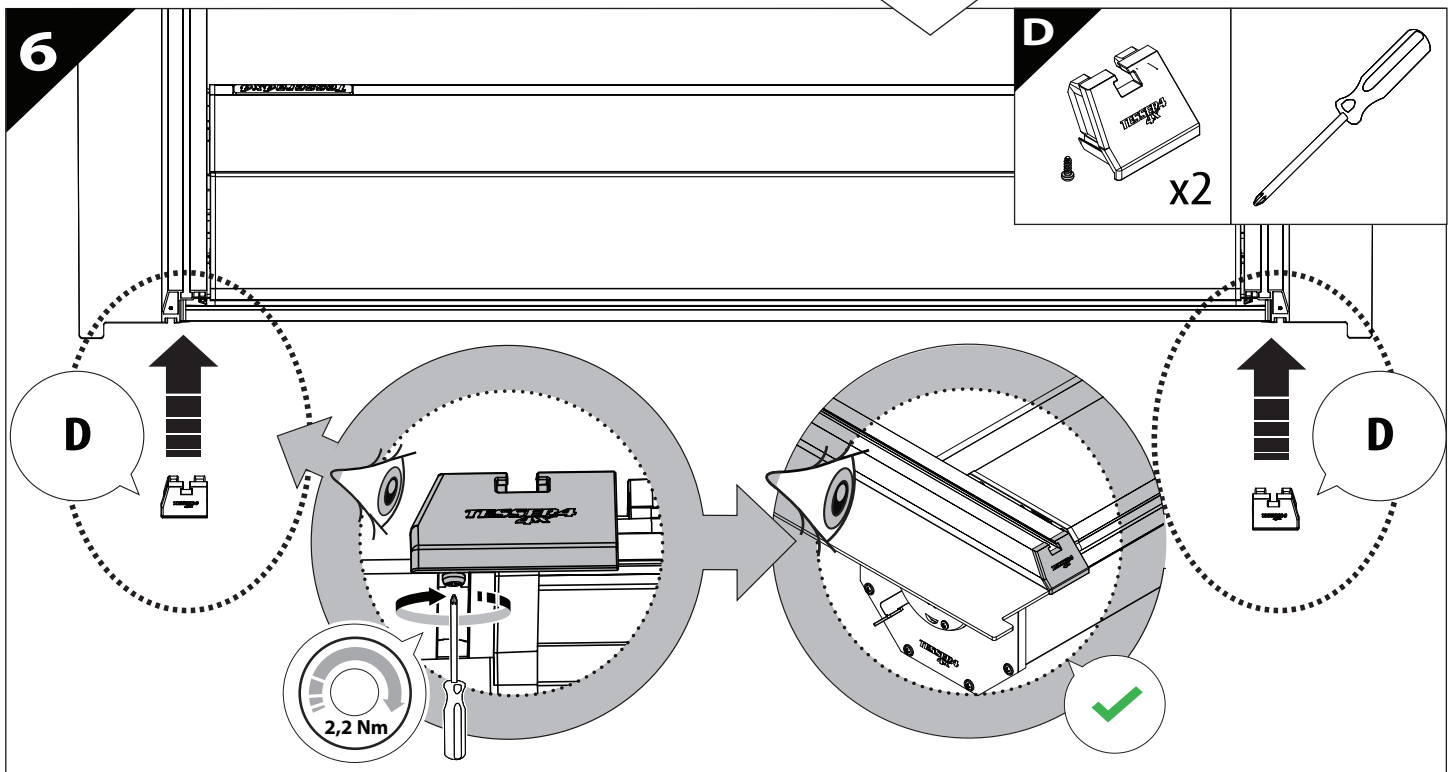
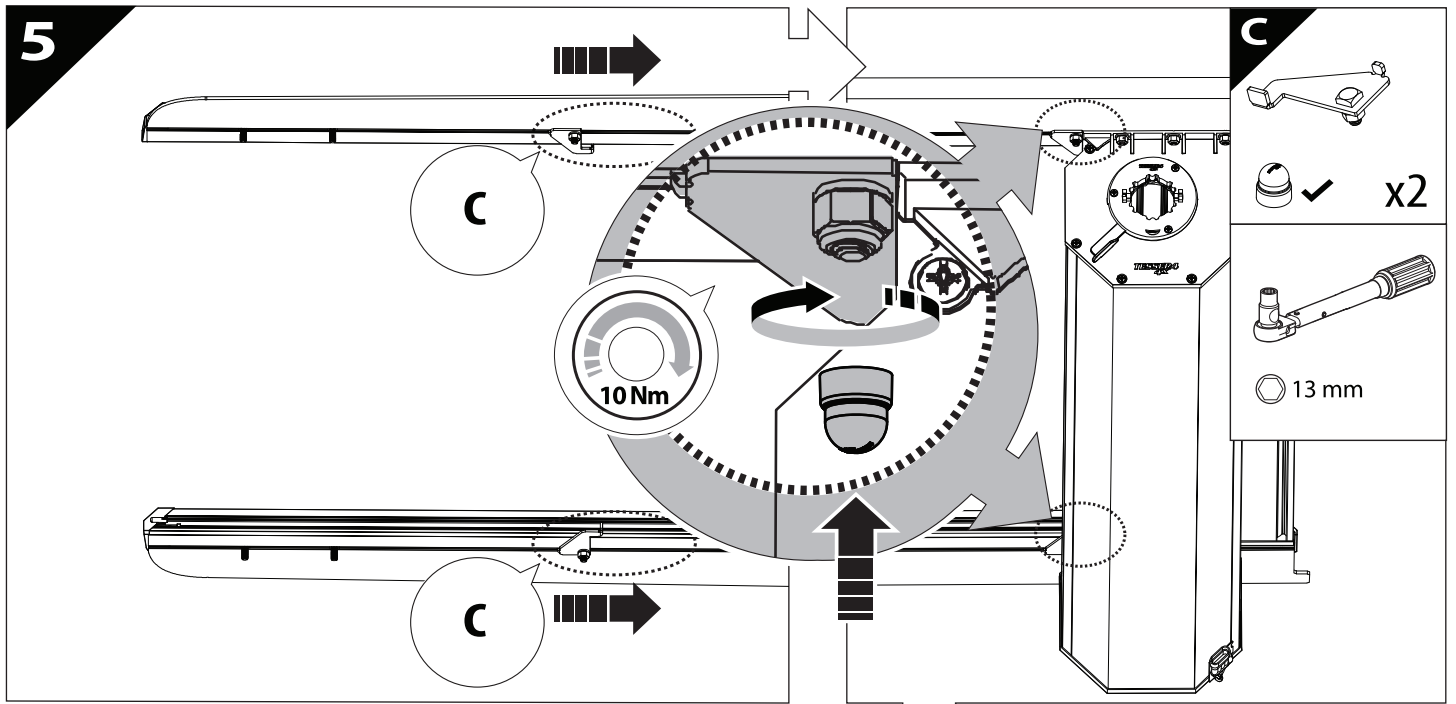


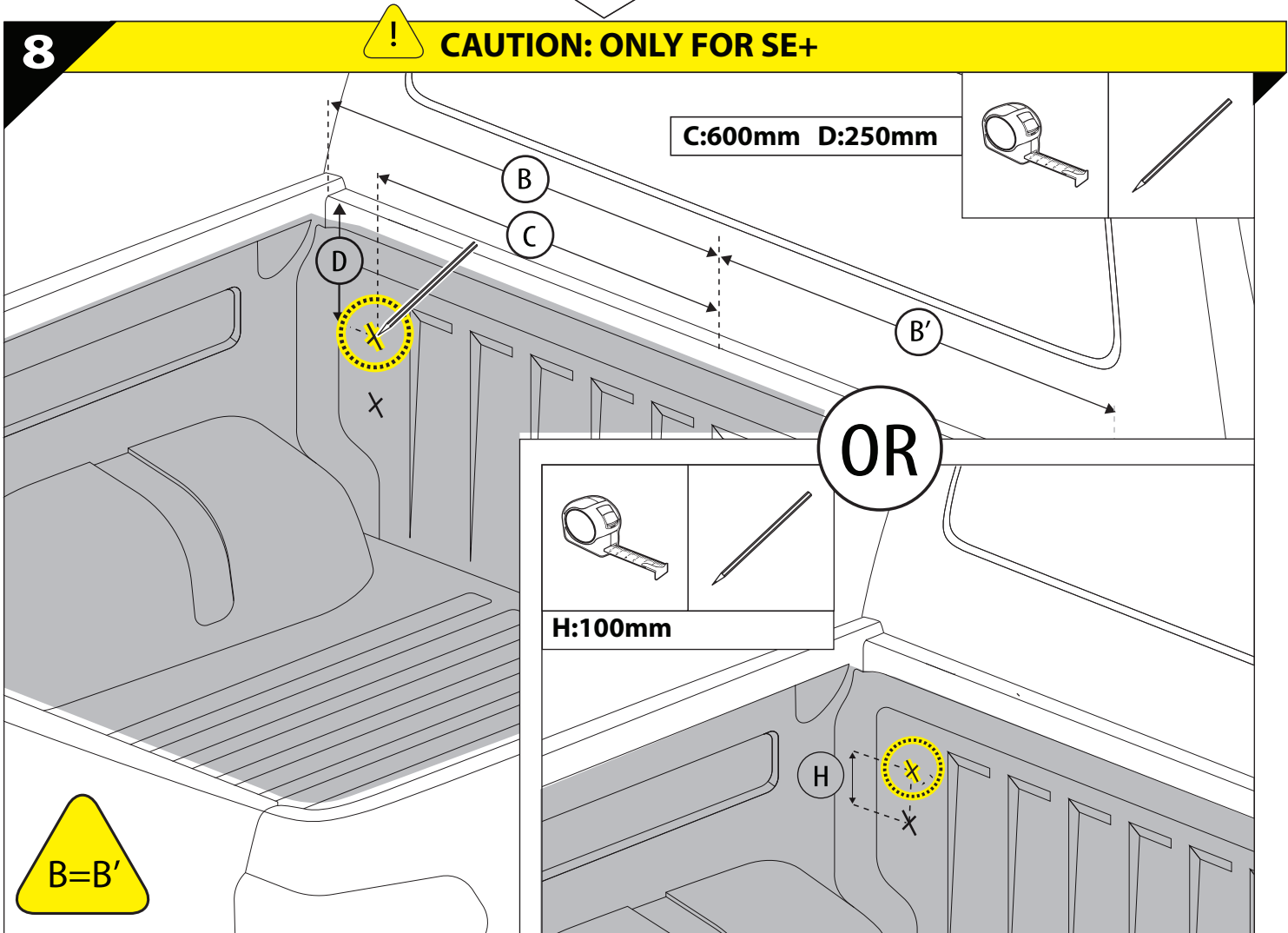
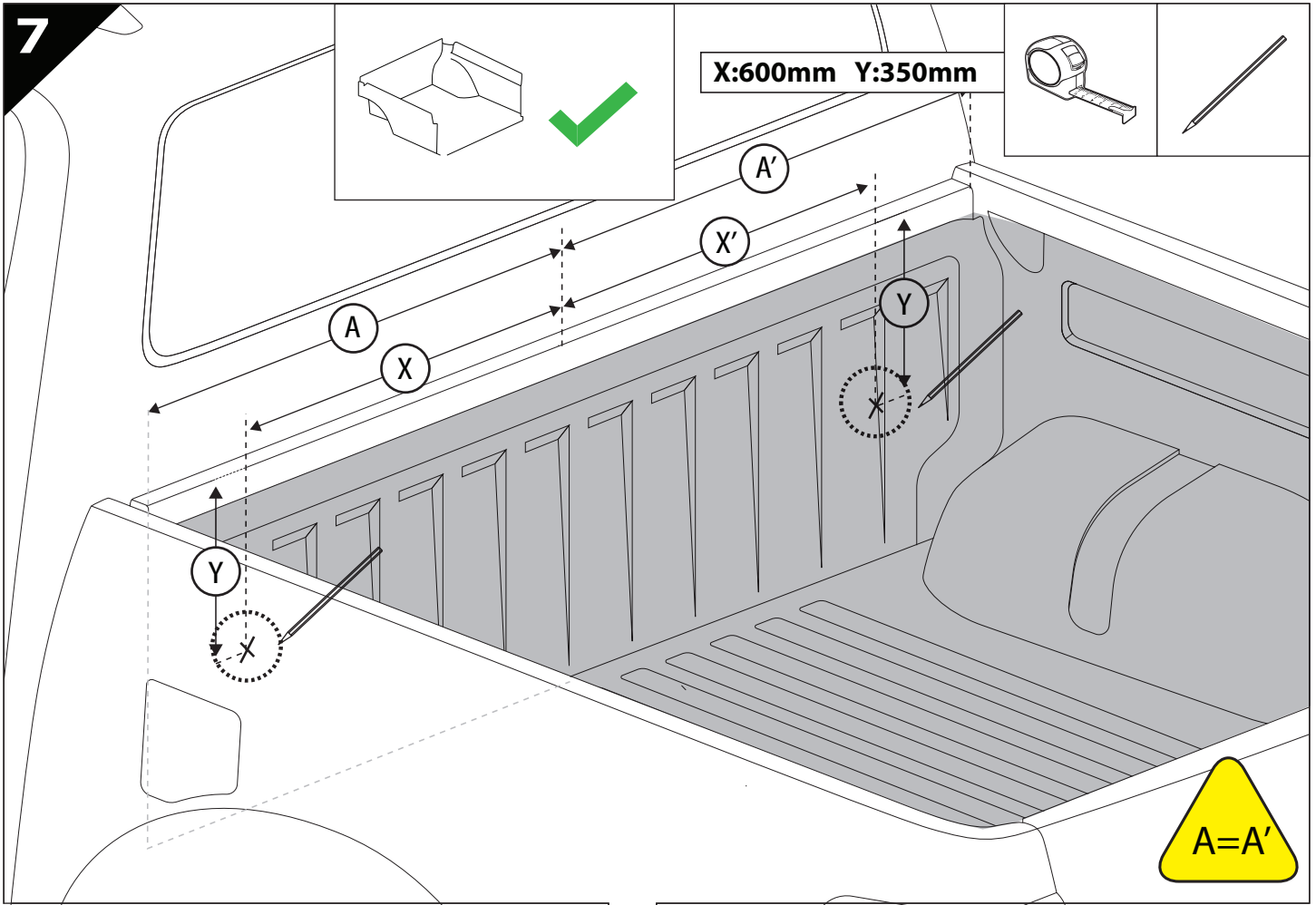
3



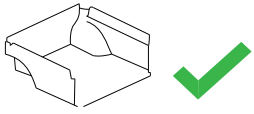
4



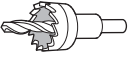




9



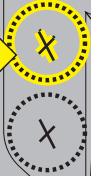
**CAUTION: ONLY FOR SE+**



Ø 25 mm

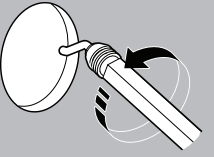
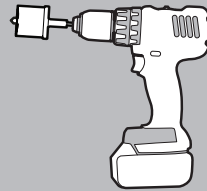


Rust Protection

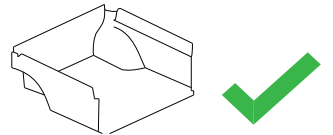


**CAUTION**

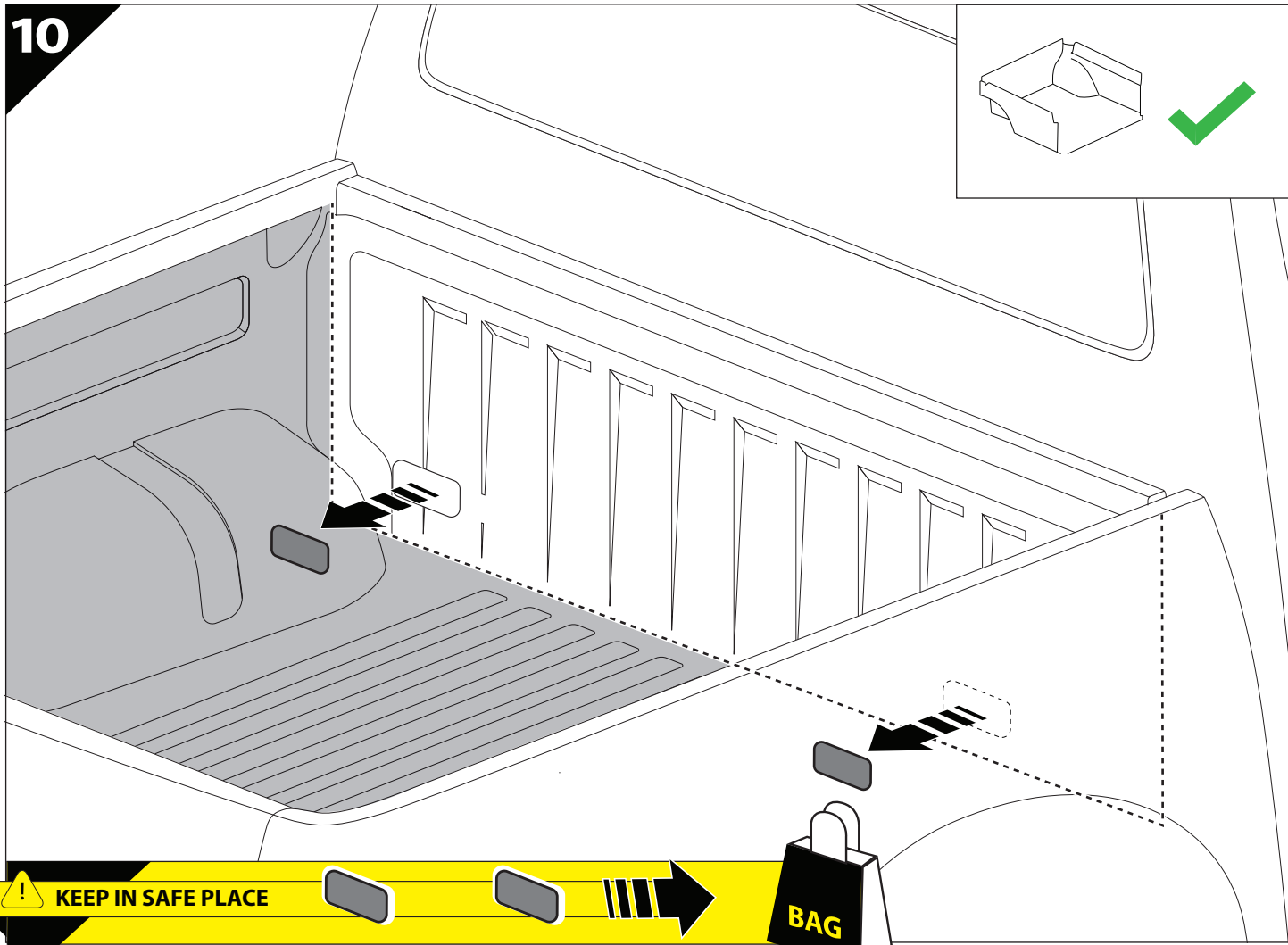
max: 2 mm



9.0

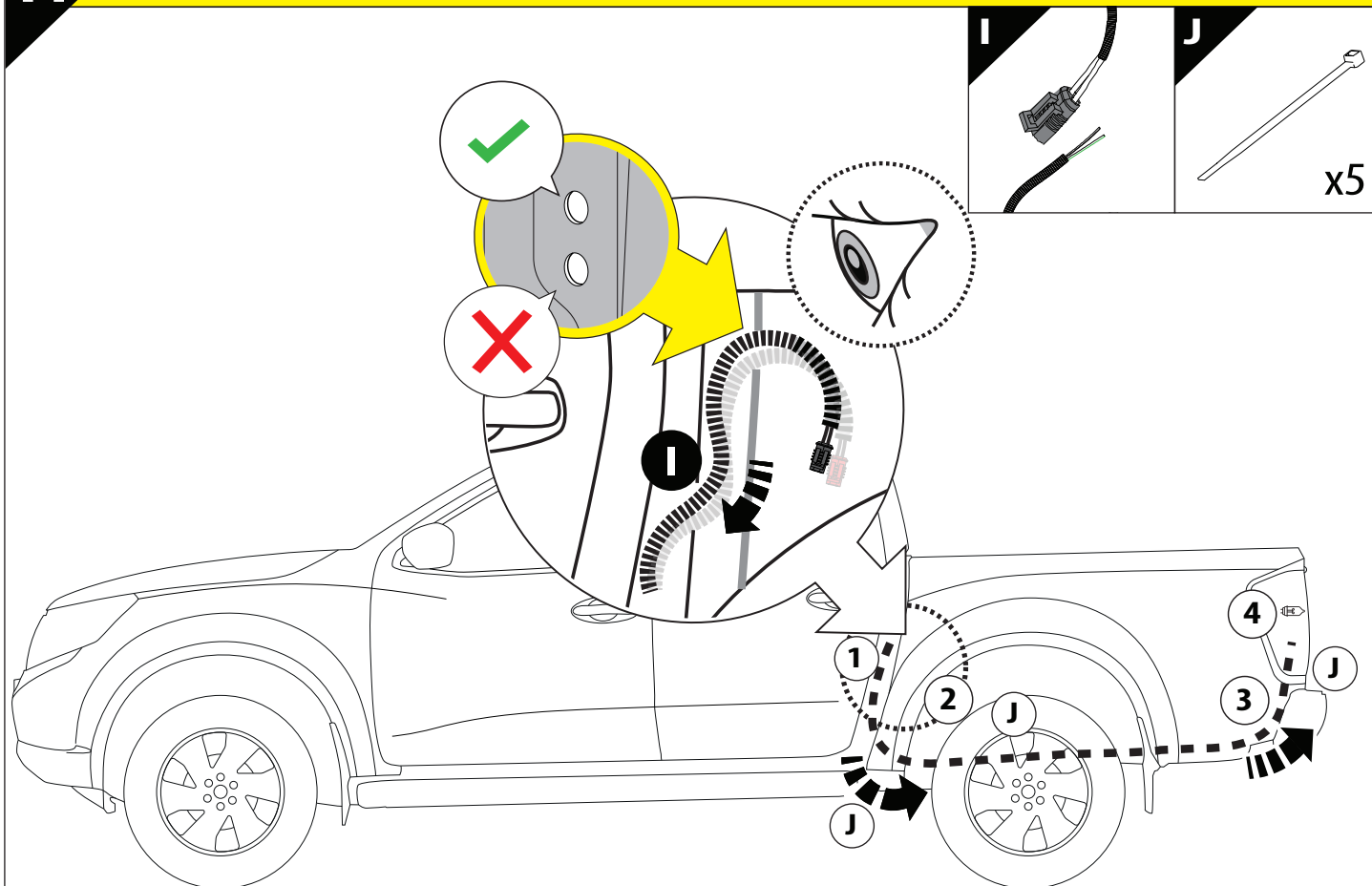


10

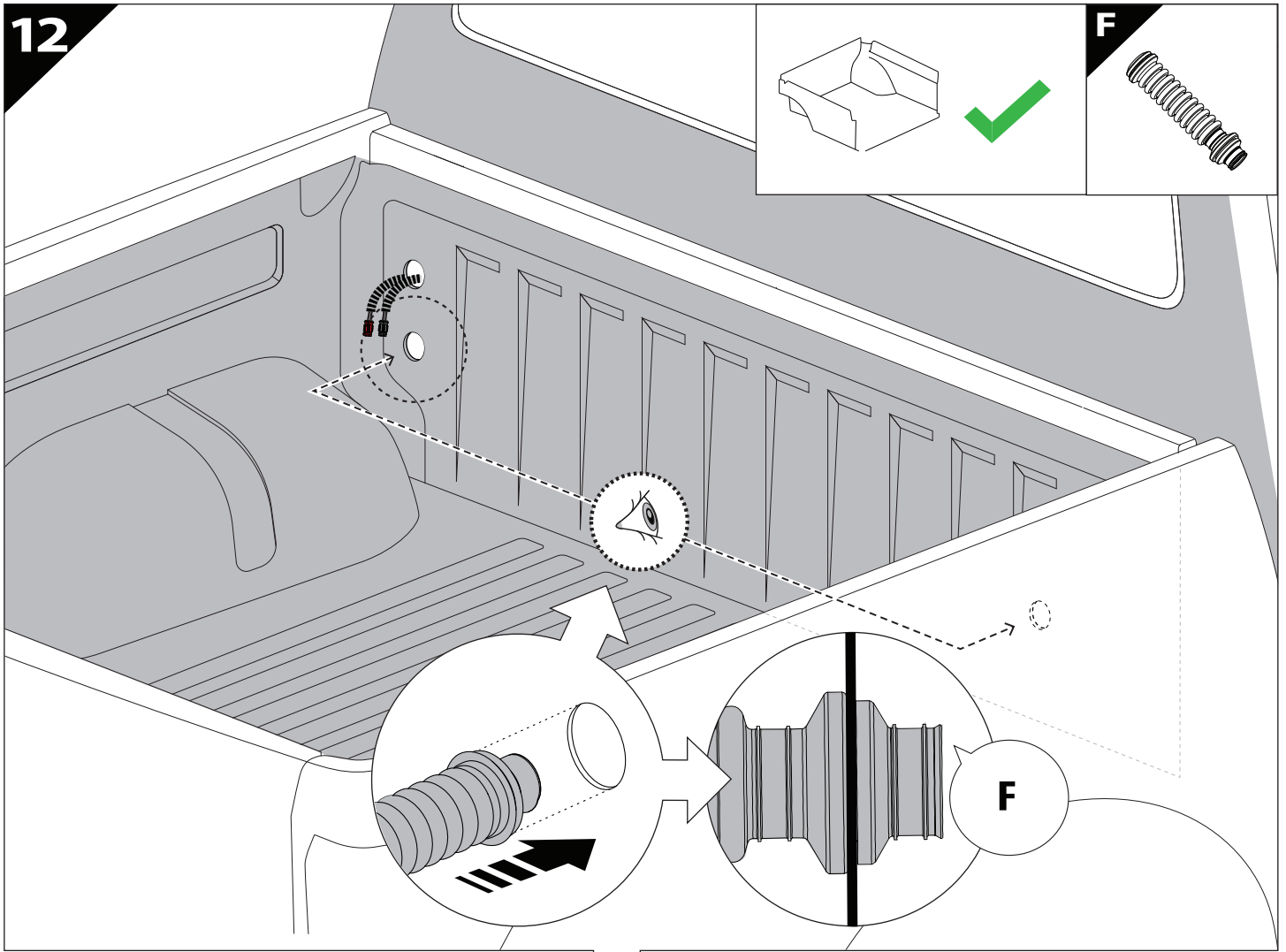


11

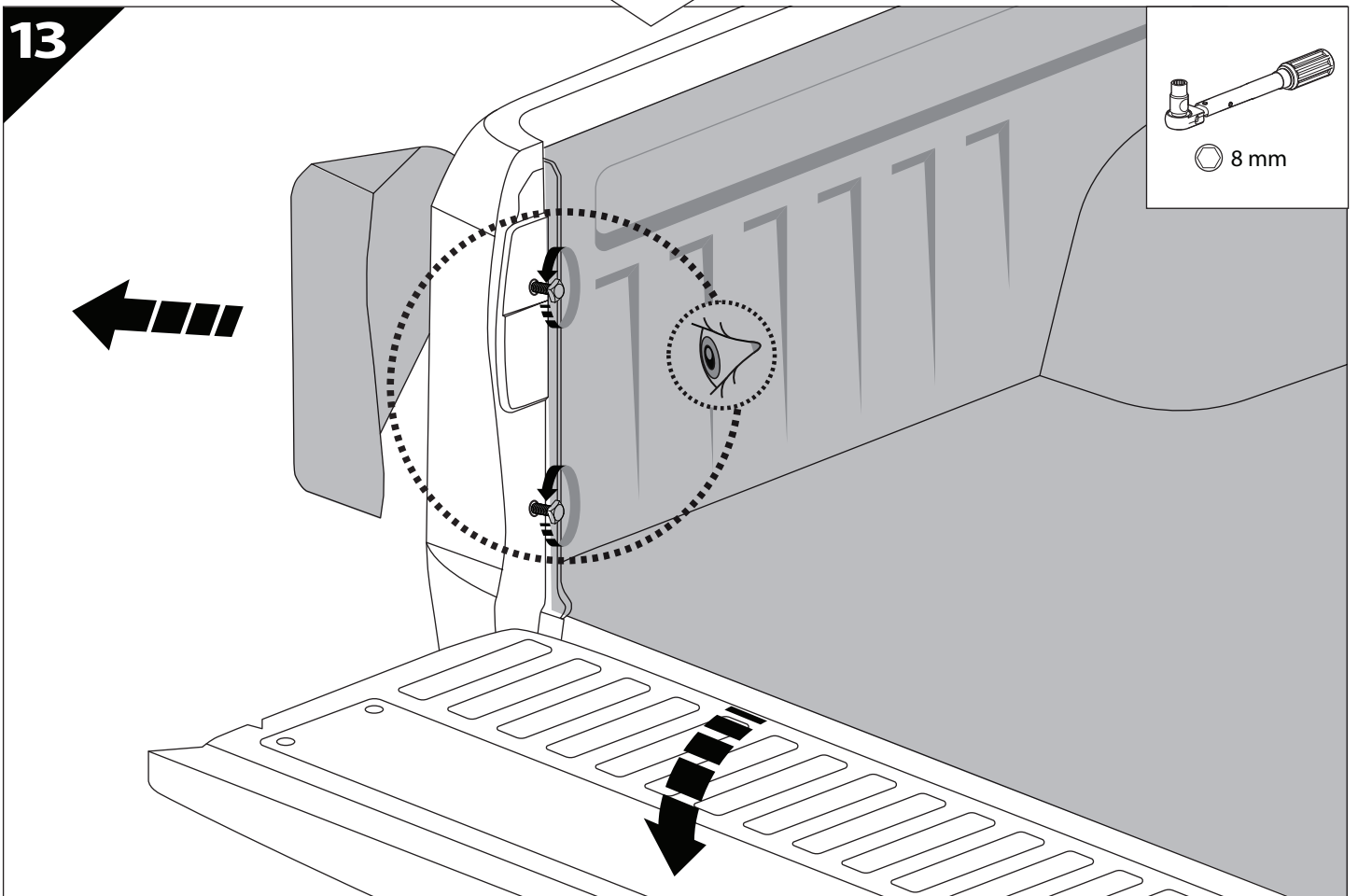
! CAUTION: ONLY FOR SE+



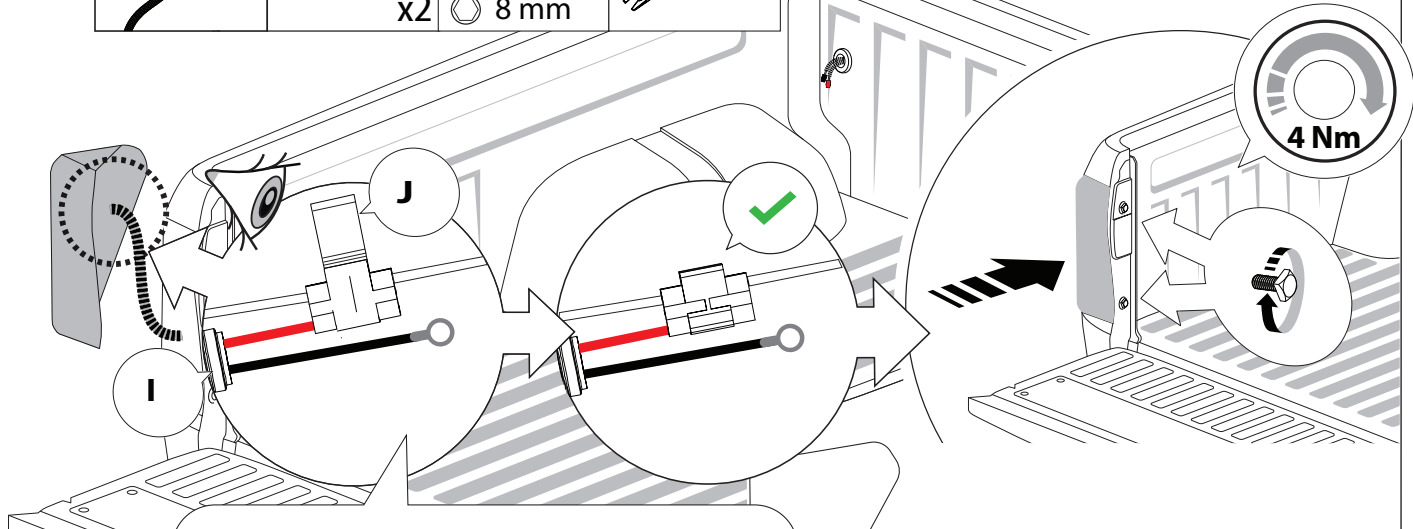
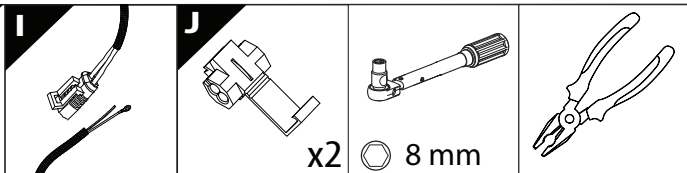
12



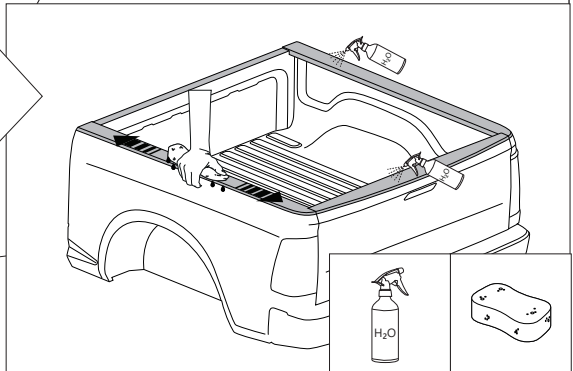
13



14

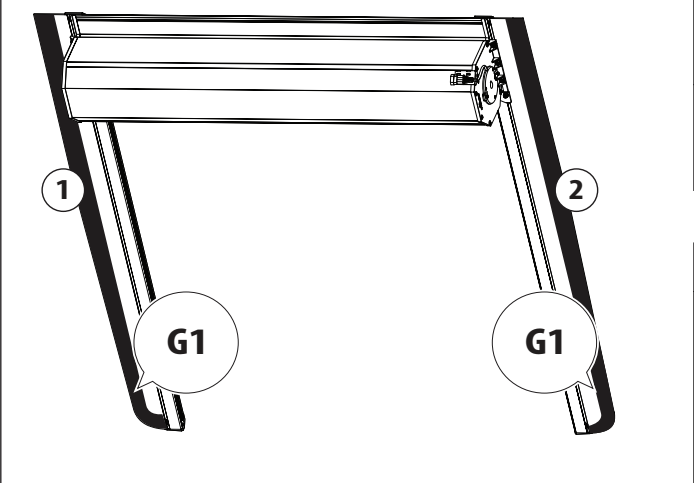
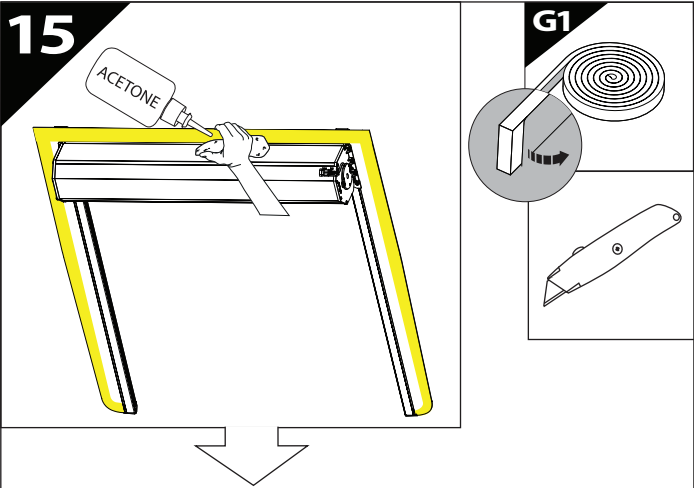


	CAR		TESSERA SE+
BEAM:		↔	
			OR
BRAKE:		↔	

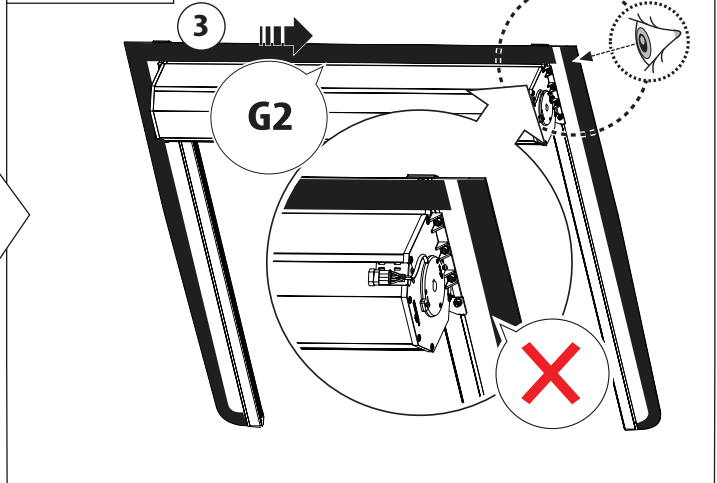
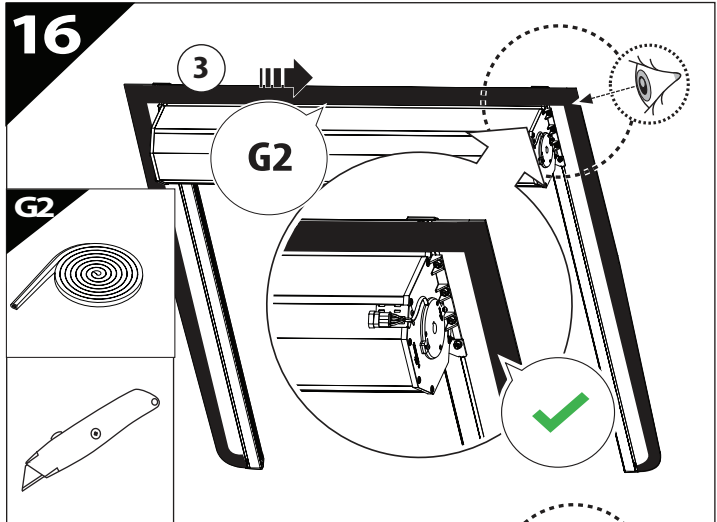


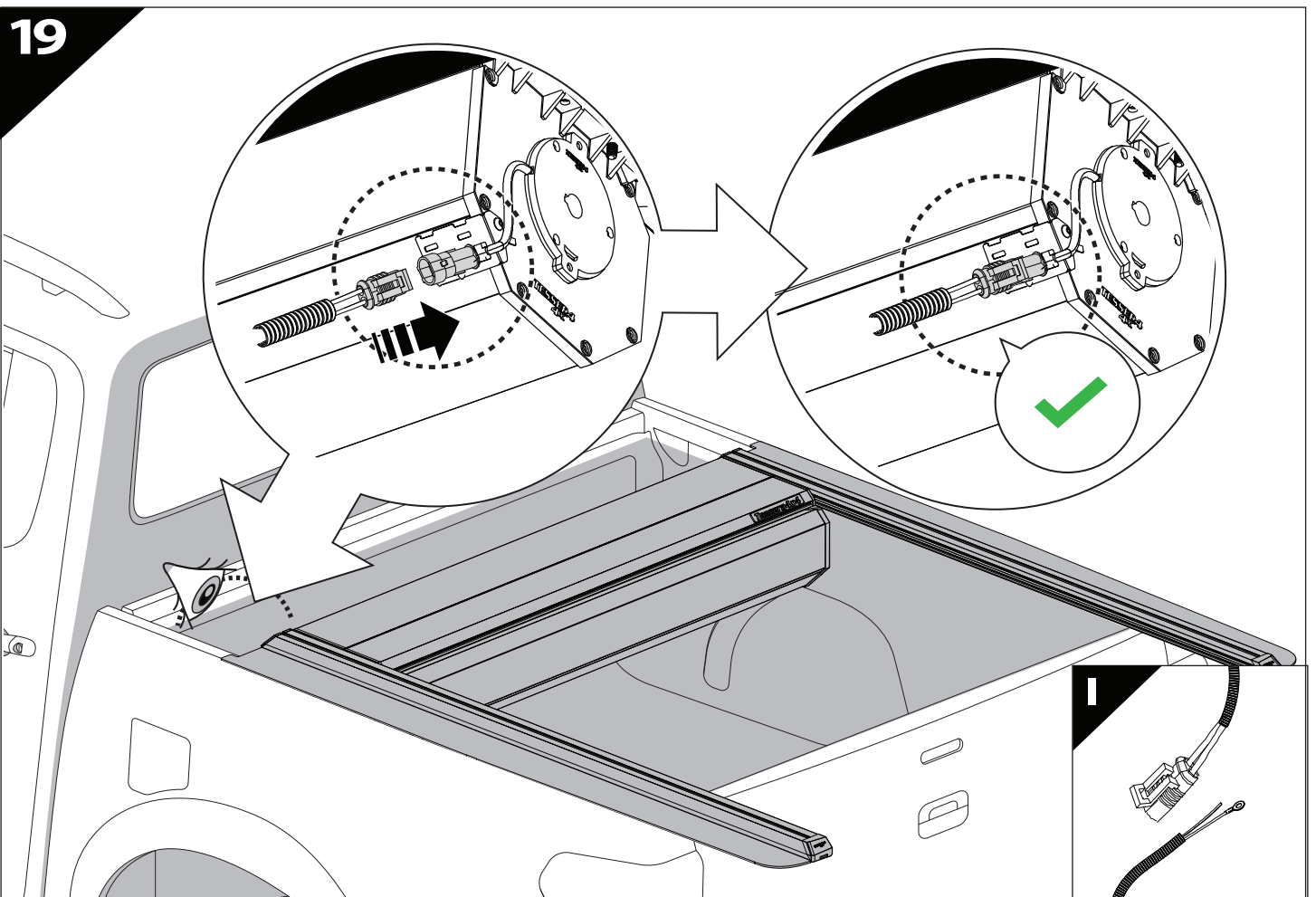
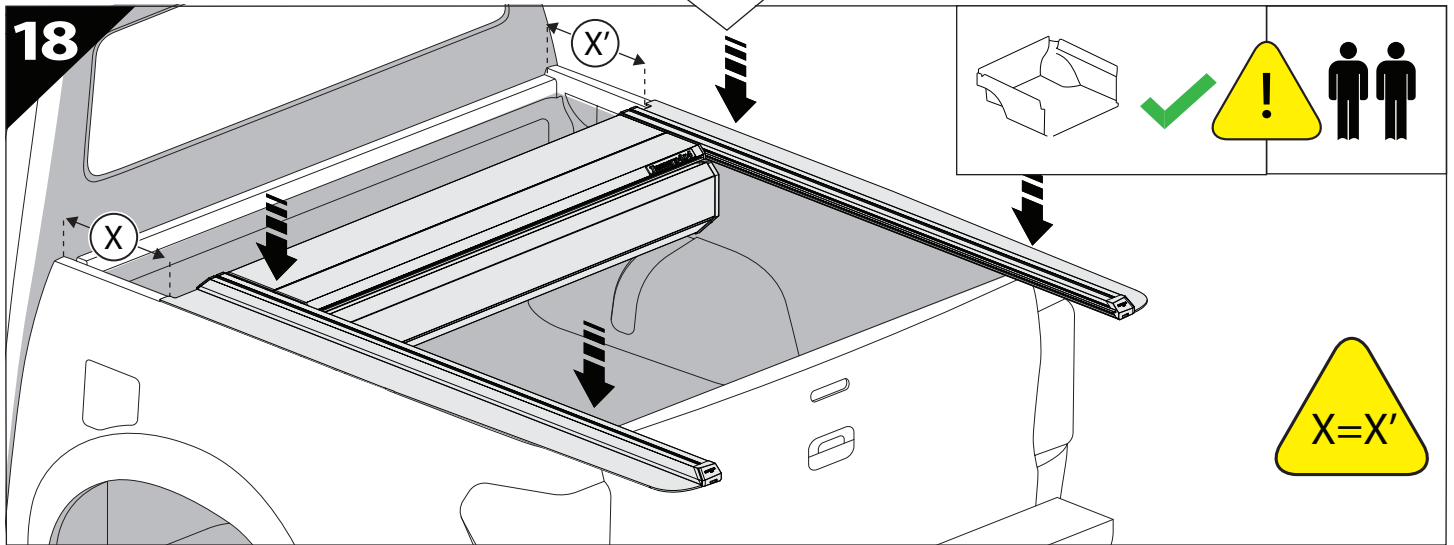
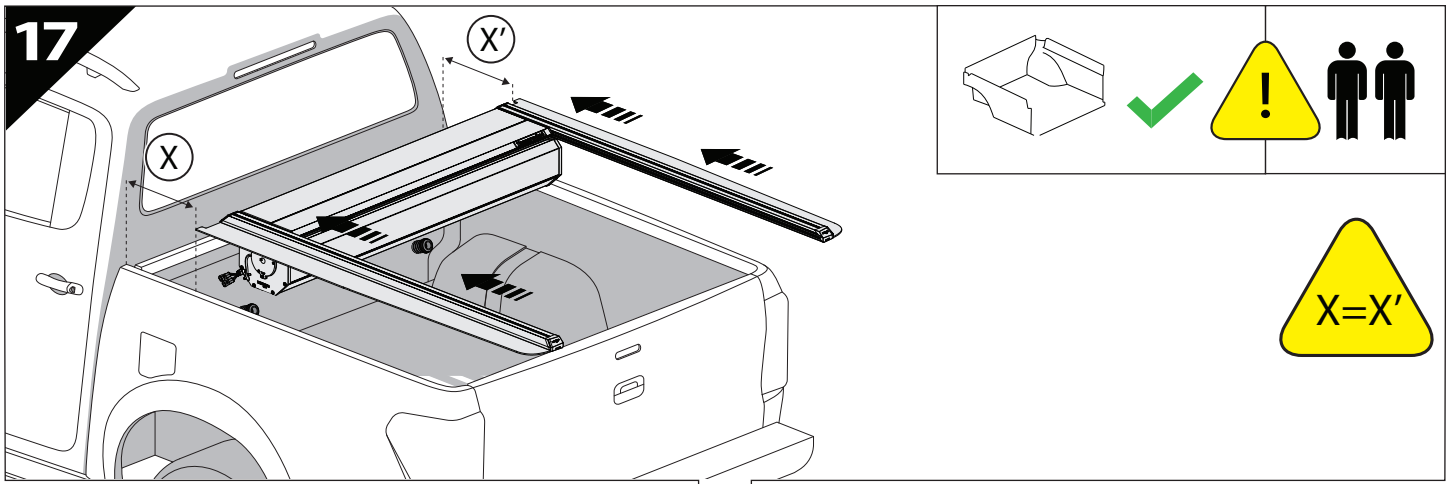
**CONSULT YOUR VEHICLE ENGINEER OR A QUALIFIED ELECTRICIAN TO LOCATE AND CONNECT THE GROUND WIRE.**

15

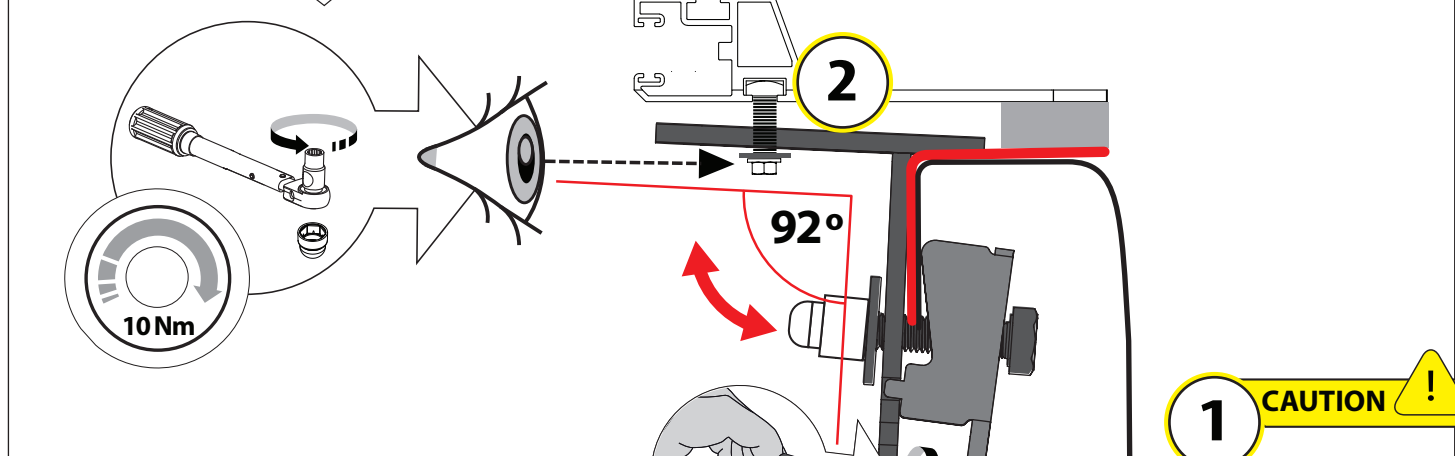
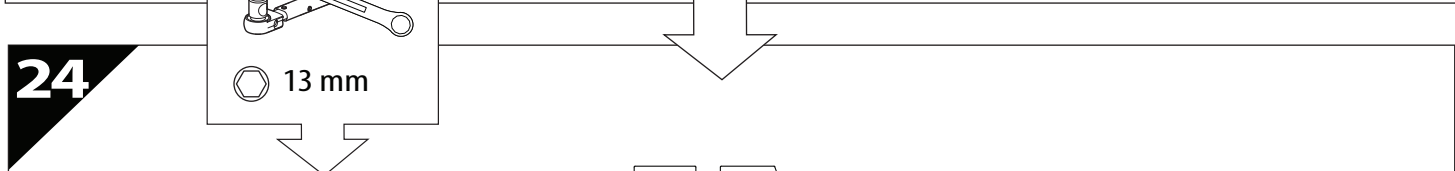
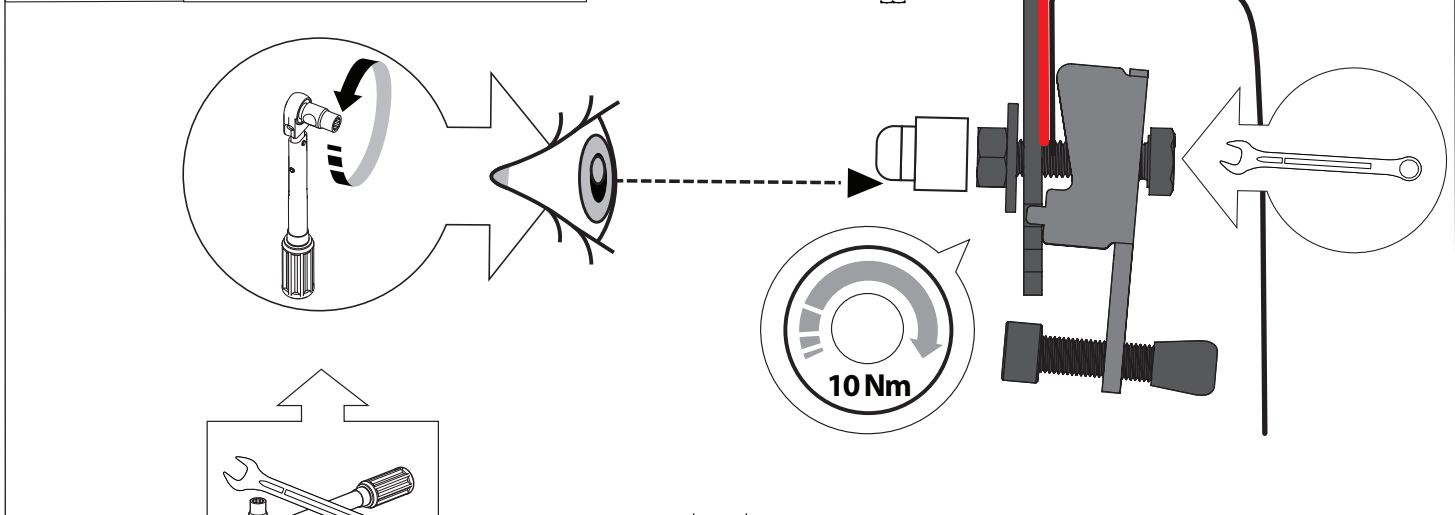
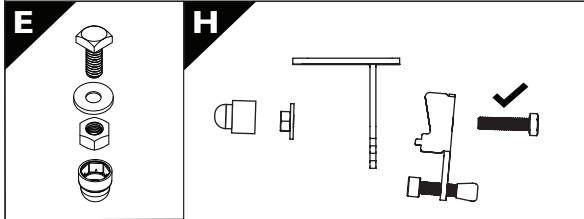
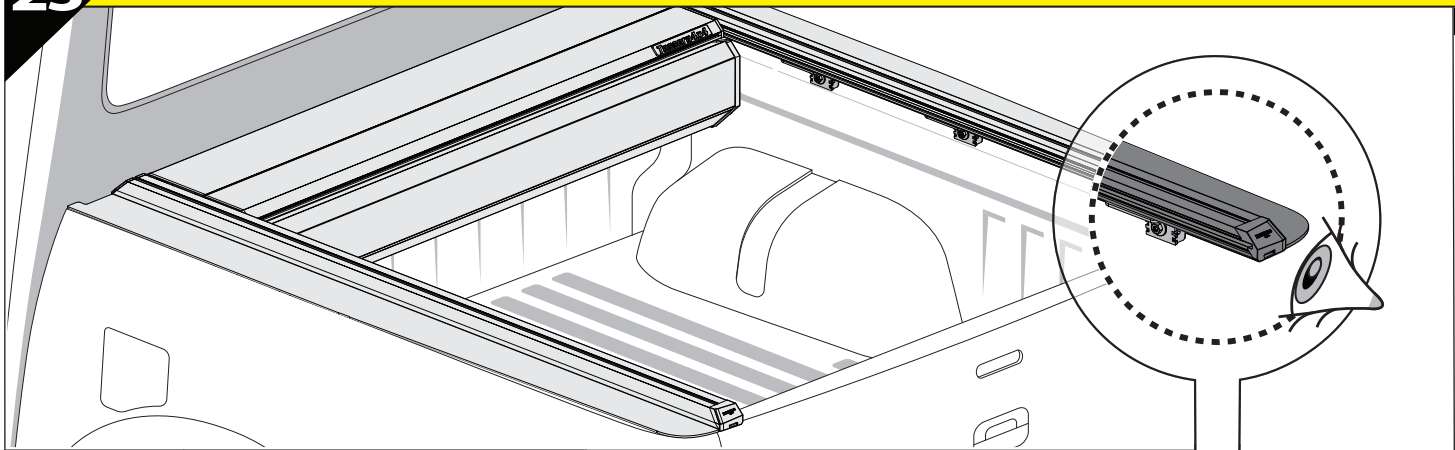


16

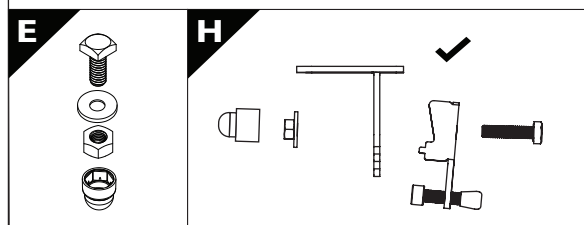


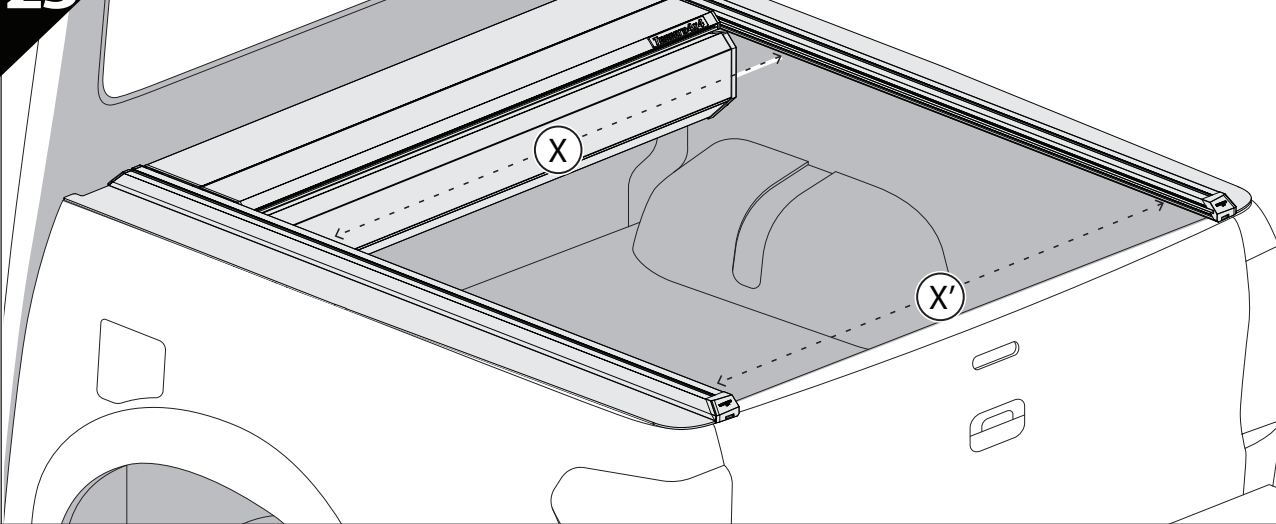




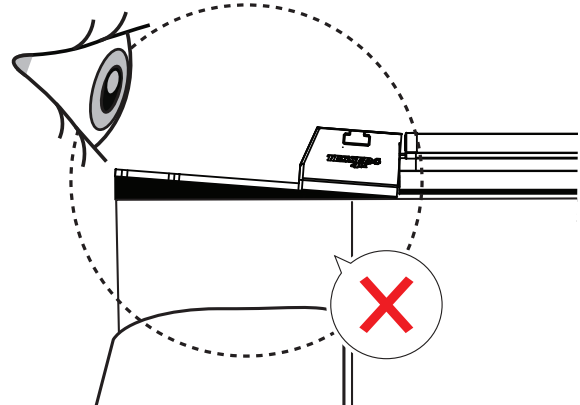
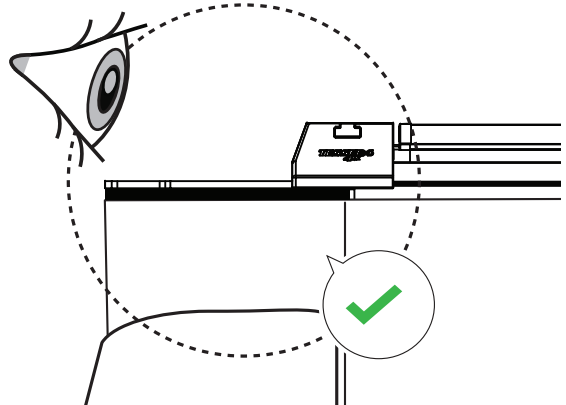
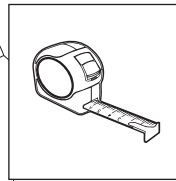


1 CAUTION !

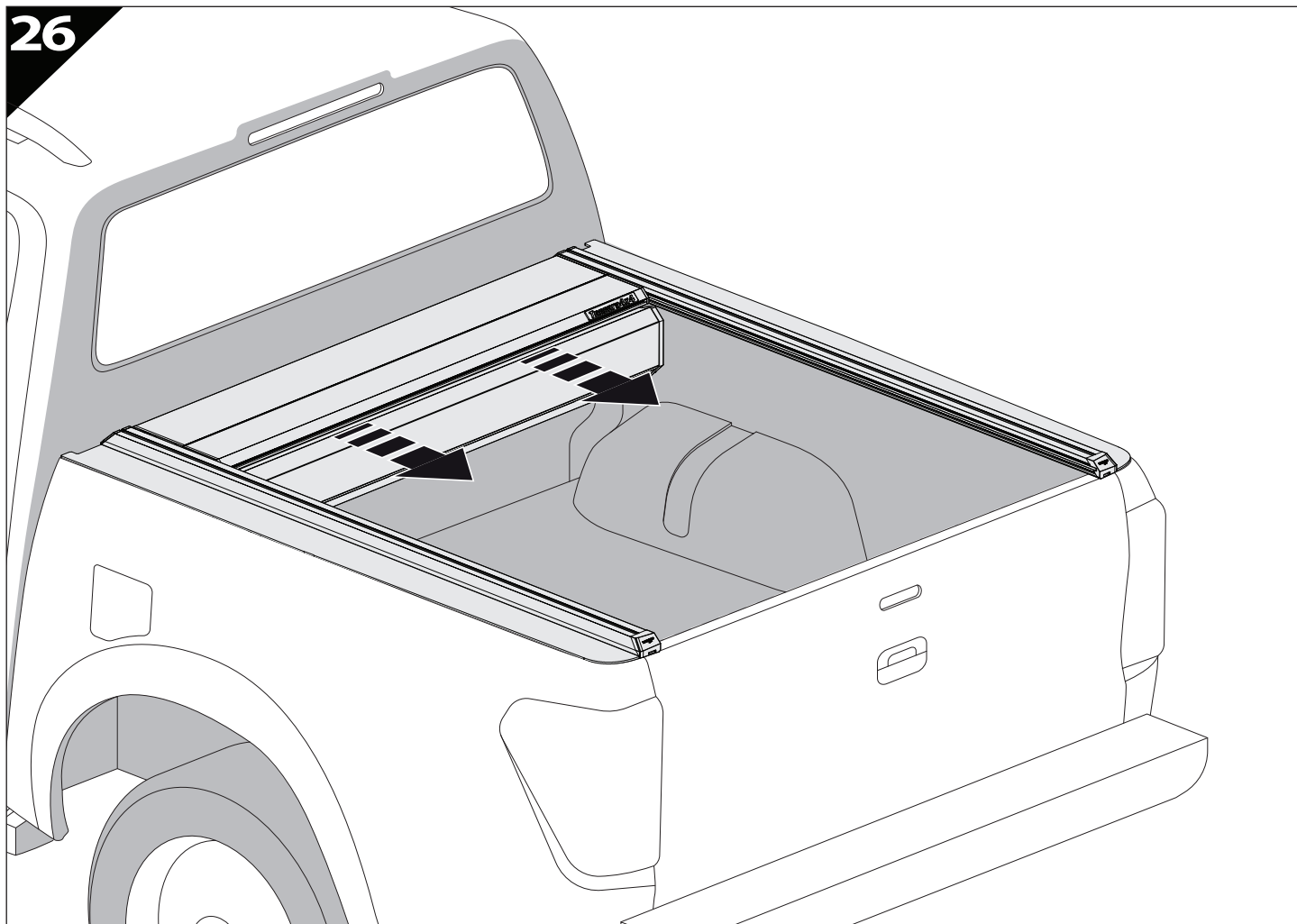




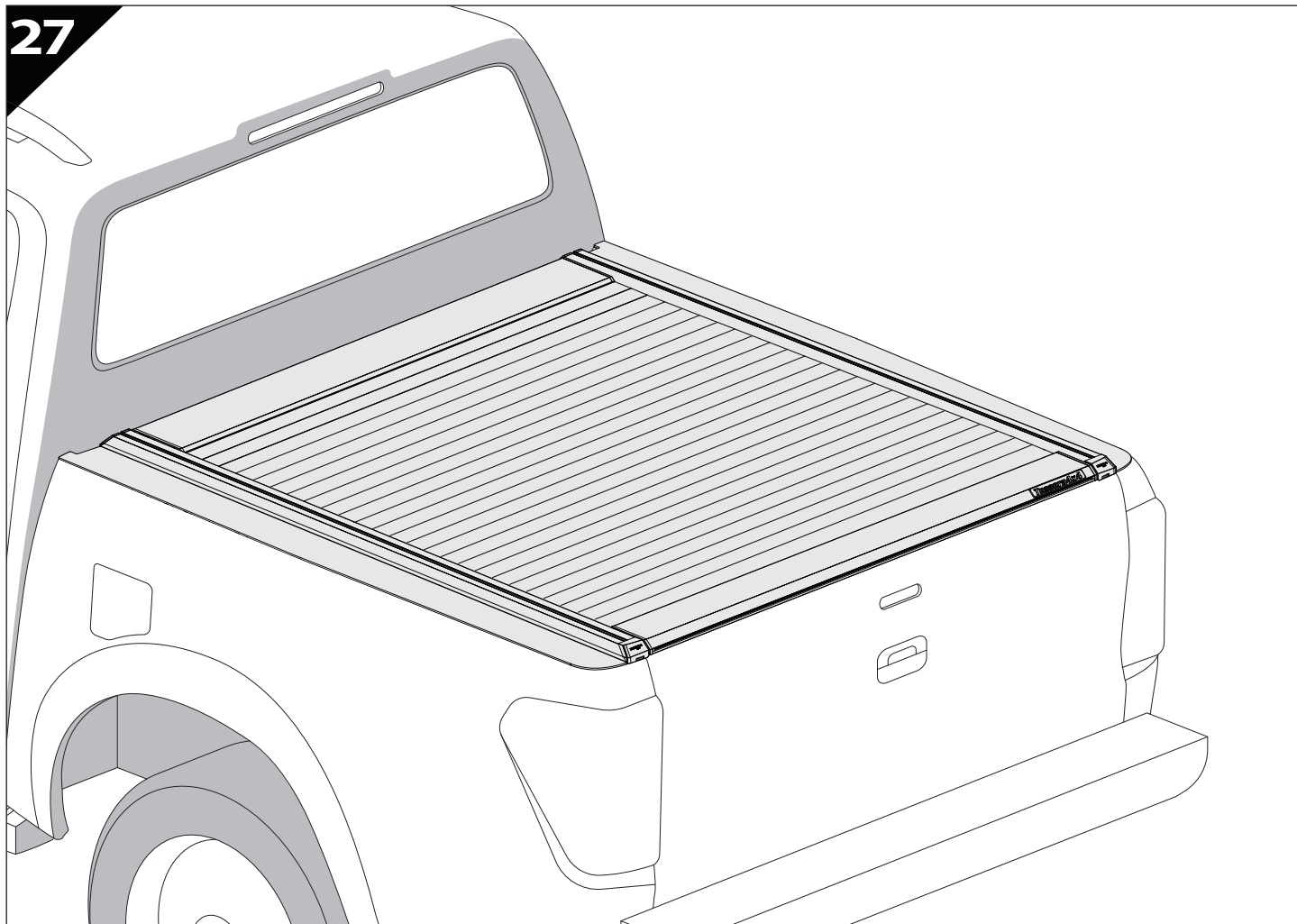
X=X'



26



27







**GR:** Οδηγίες Εγκατάστασης  
**GB:** Installation manual  
**SF:** Asennusohje  
**F:** Notice de montage  
**PL:** Instrukcja montażu  
**NL:** Installatie-instructies  
**TR:** Montaj Talimatı  
**S:** Monteringsanvisning  
**E:** Instrucciones de montaje

**H:** Szerelési utasítás  
**P:** Instruções de instalação  
**RUS:** Инструкция по установке  
**N:** Monteringsveiledning  
**D:** Einbauanleitung  
**CZ:** Návod k instalaci  
**I:** Istruzioni de montaggio  
**DK:** Monteringsvejledning  
**RO:** Instructiuni de instalare

Customer Service:

+30 (210) 5541161, +30 (210) 5541154 (08:00 - 16:00 EET)

Support department:

[info@gianso.gr](mailto:info@gianso.gr)

Website:

[www.tessera4x4.com](http://www.tessera4x4.com)

Address:

19.5 km of National road Athens-Korinthos (Elefsina) Greece, P.C: 19200