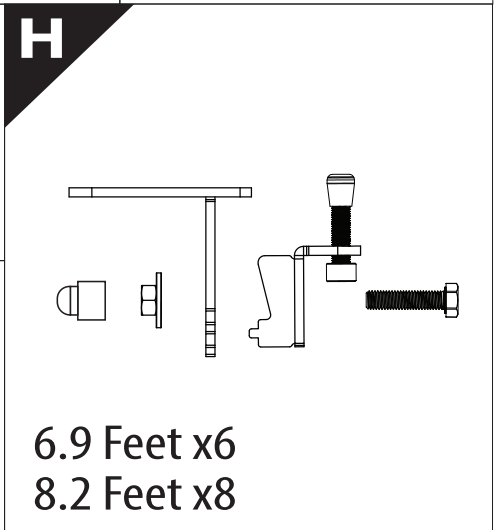
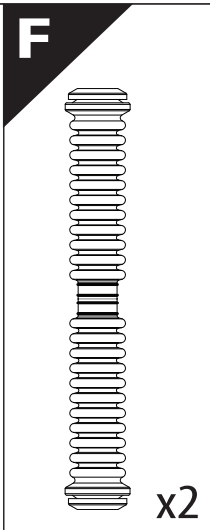
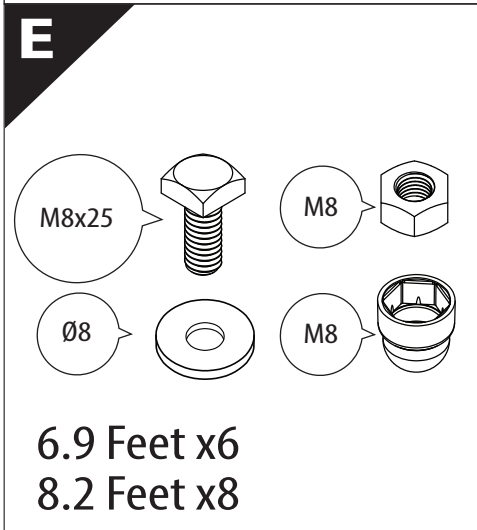
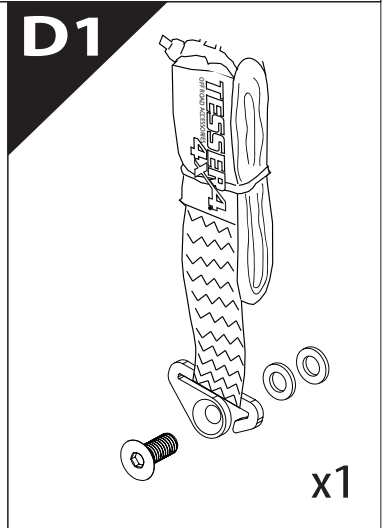
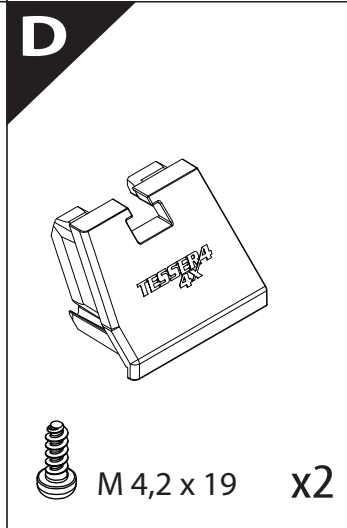
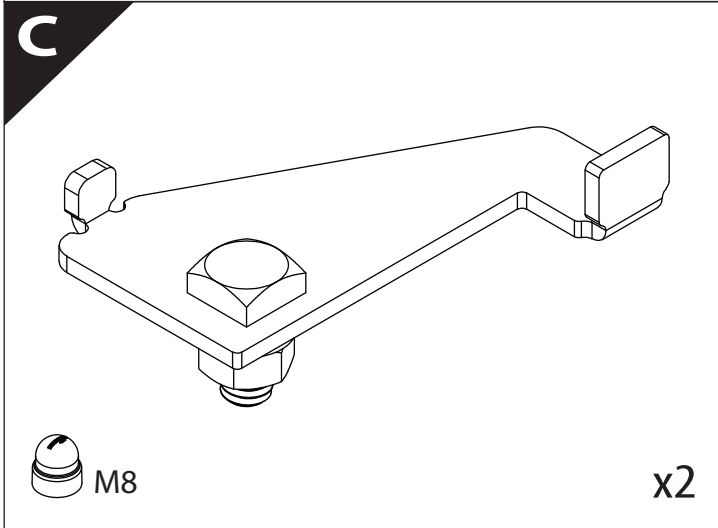
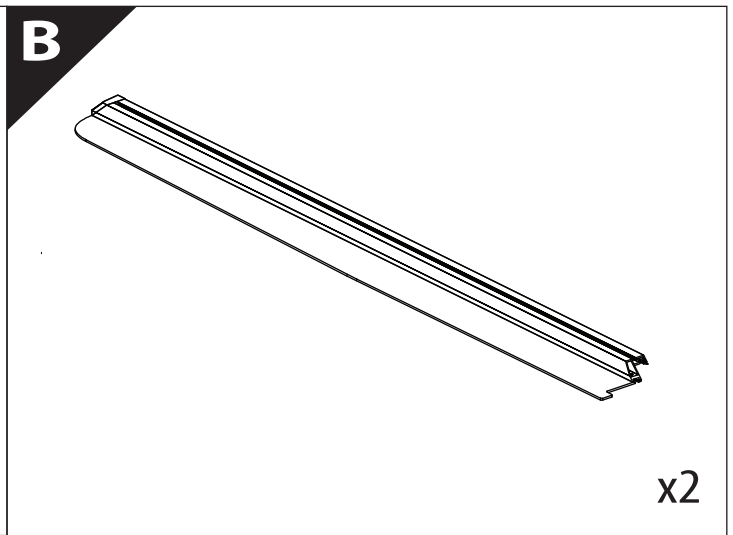
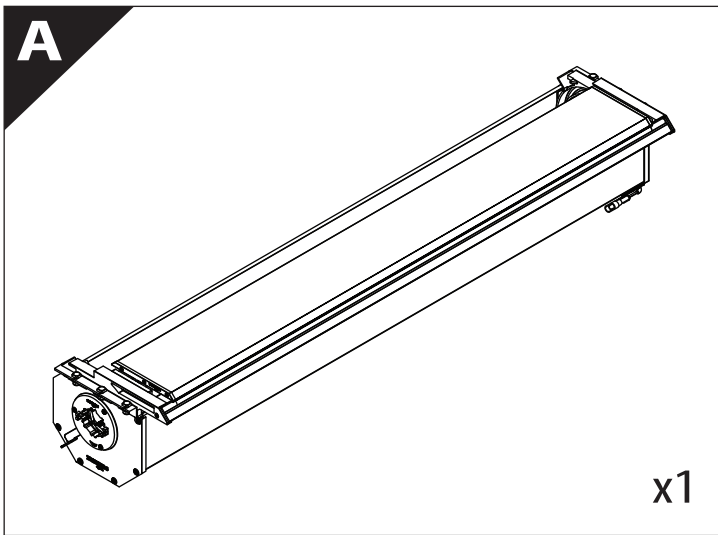
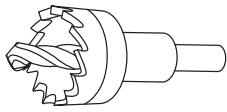




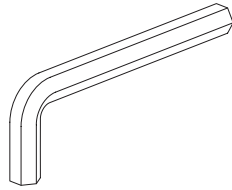
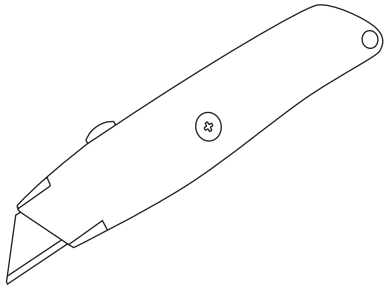
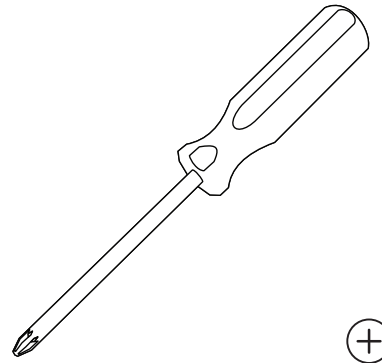
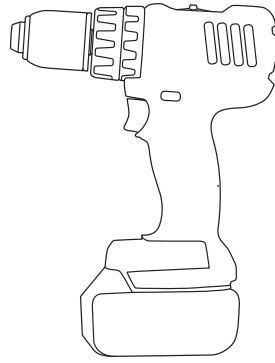
Installation Manual

PART NUMBER(S)	Model Year
TESS 1536 ROLL	Chevrolet Silverado / GMC Sierra 2500 / 3500 2020+
TESS 15361 ROLL	
Feet	Installation Time / Weight
6.9 Feet & 8.2 Feet	40-60 minutes / 53-57 kg



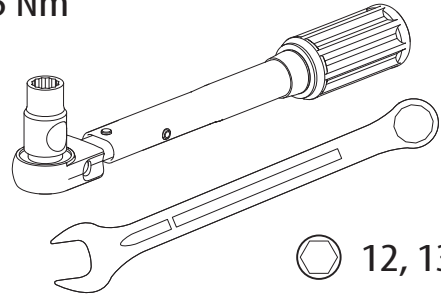


Ø 25 mm



4 mm

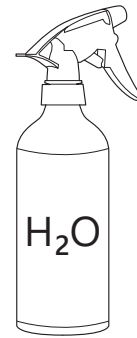
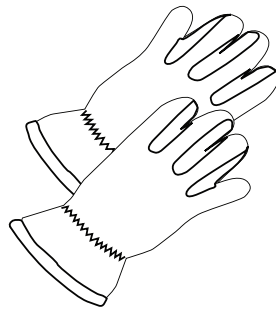
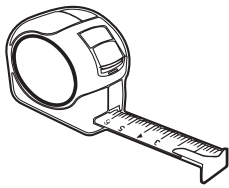
1 - 25 Nm



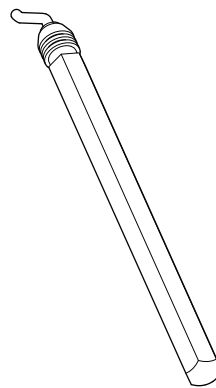
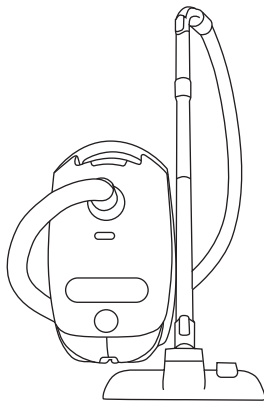
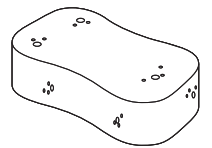
12, 13 mm



ACETONE



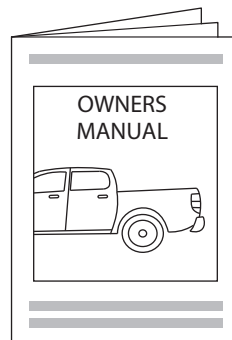
H₂O



ANTI-RUST



INSTALLATION
MANUAL

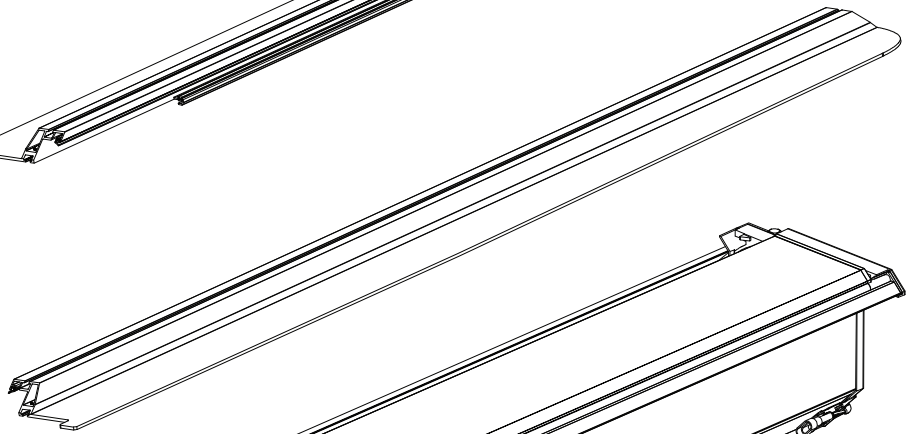


OWNERS
MANUAL

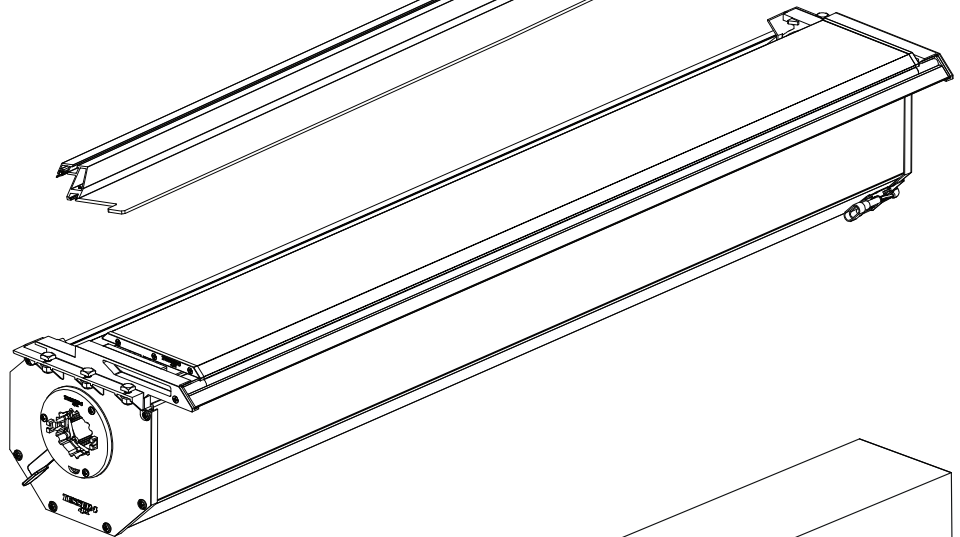
x1



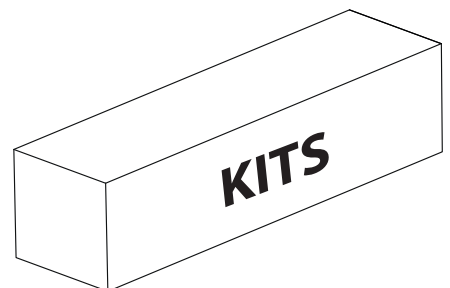
B



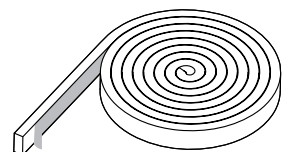
A

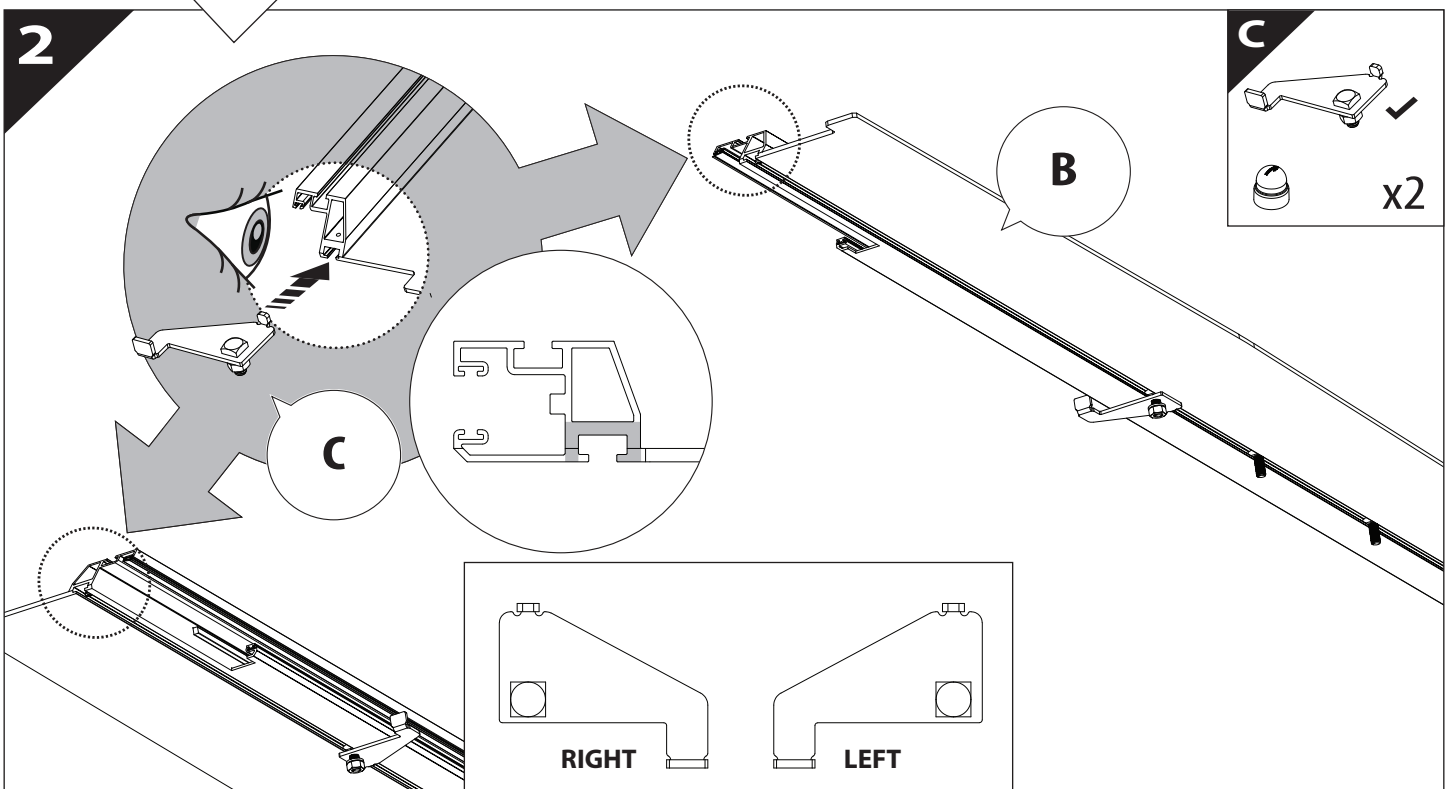
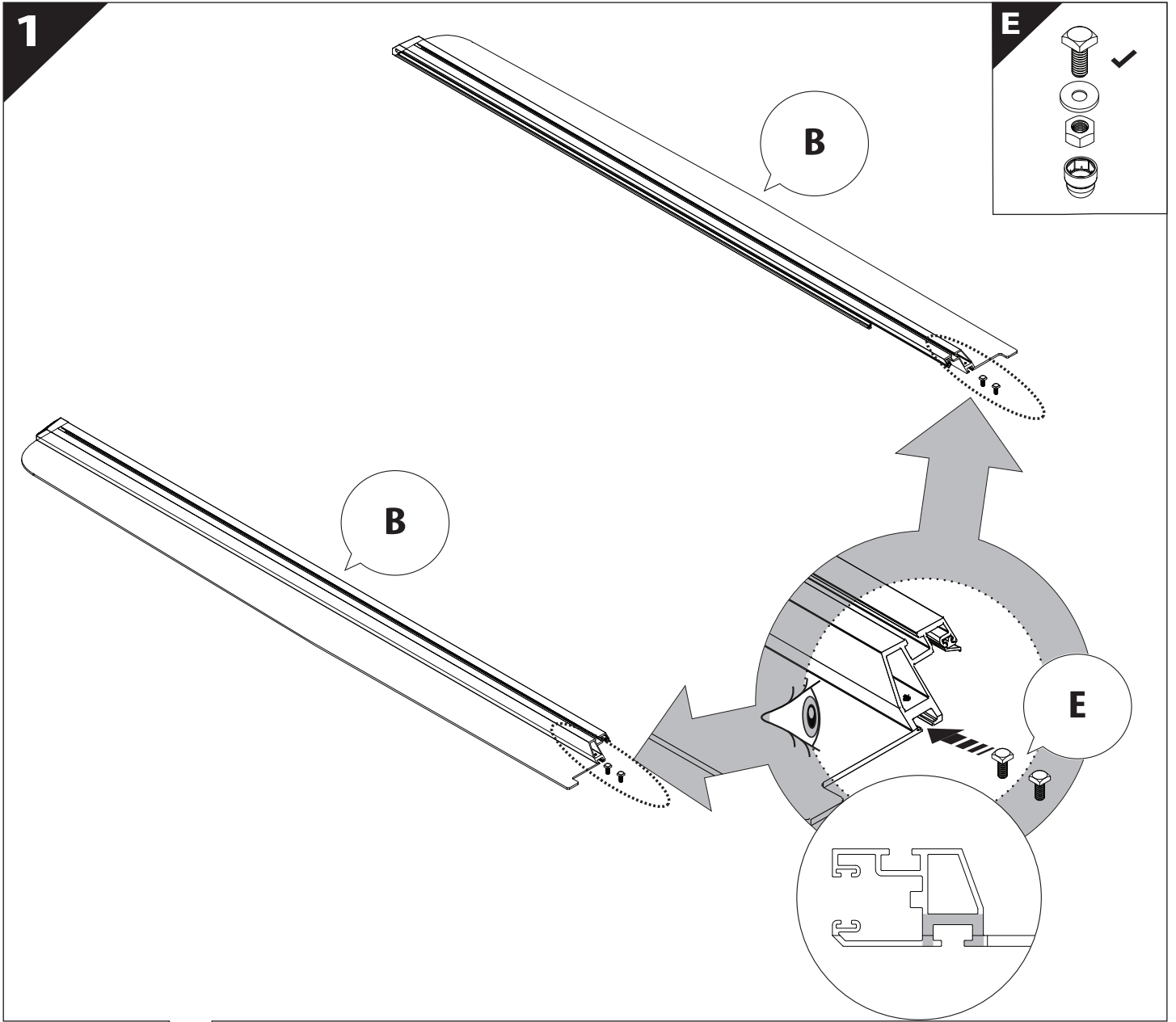


KITS

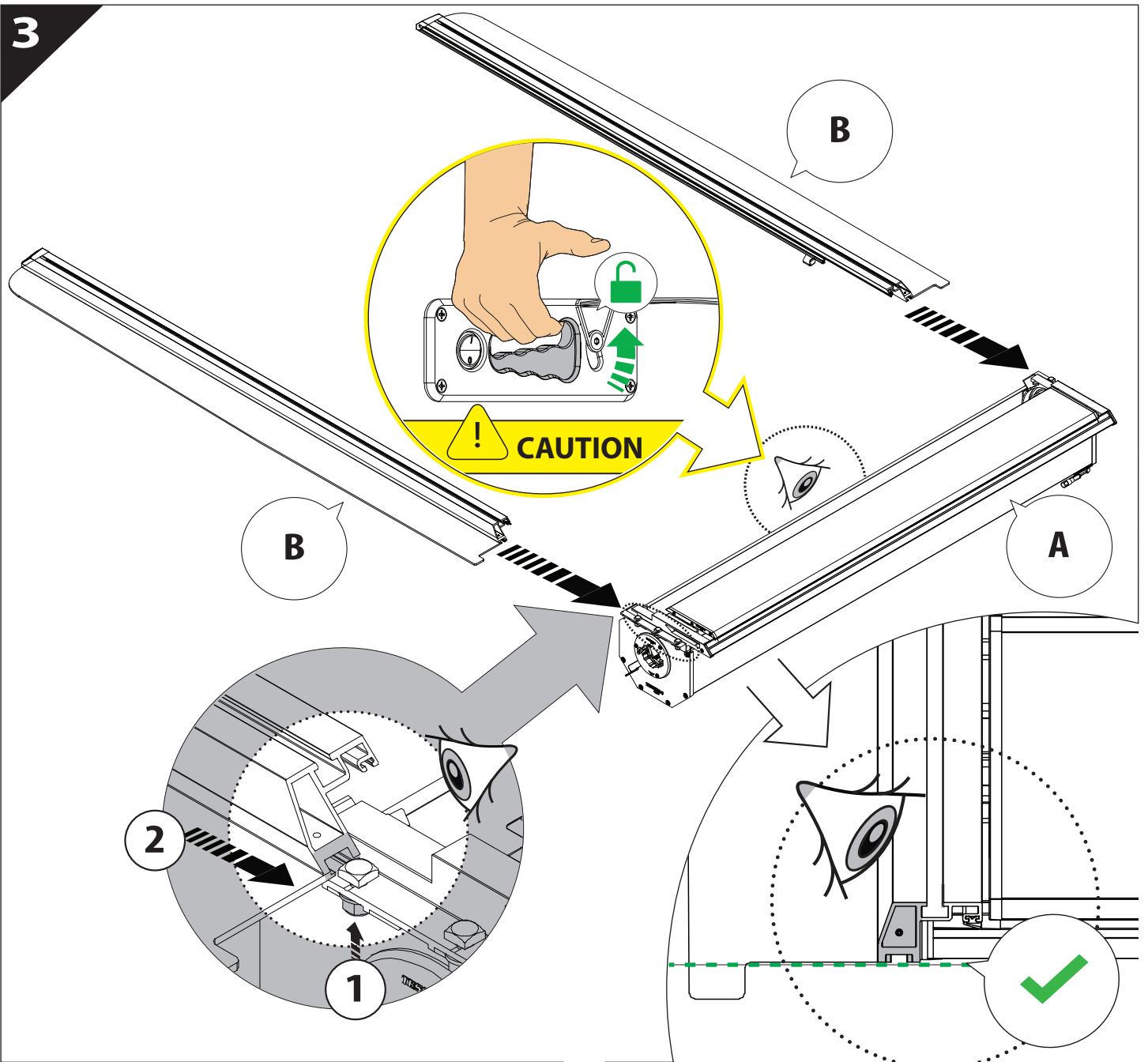


G

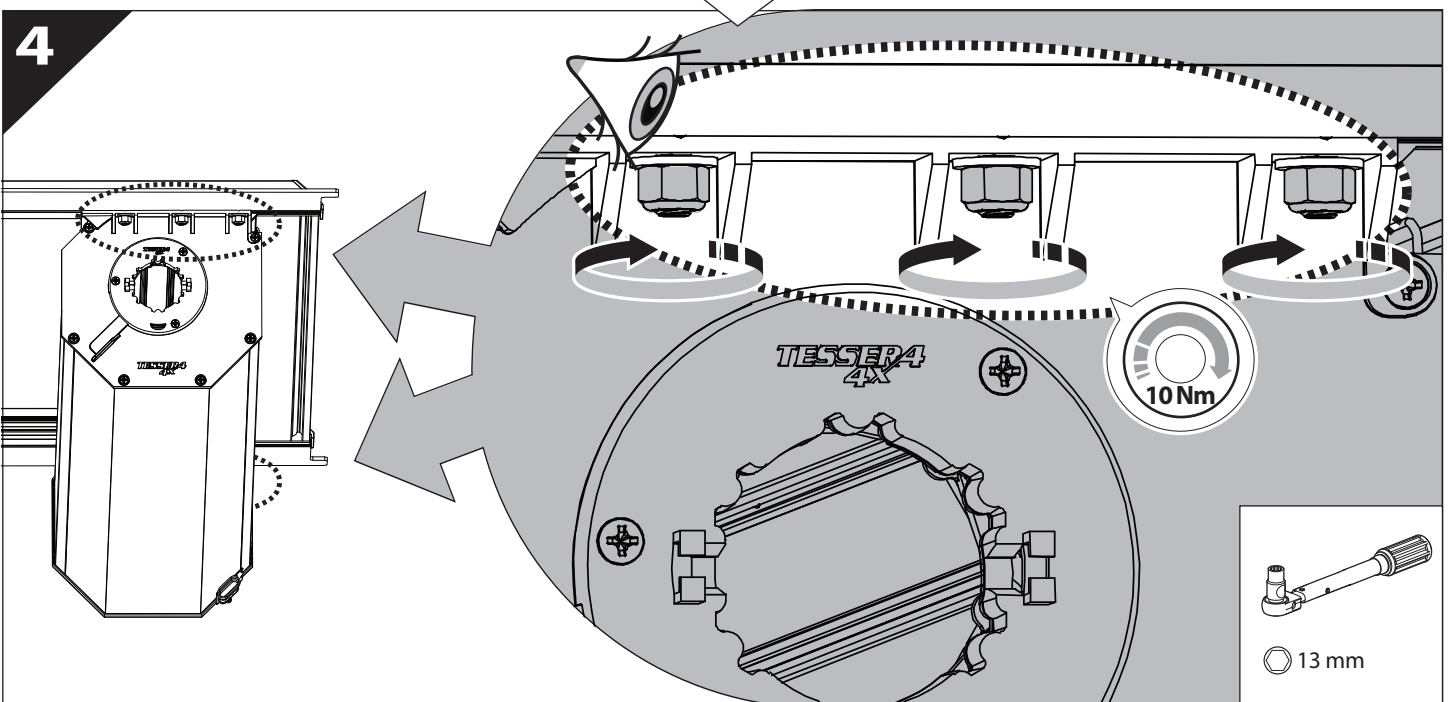


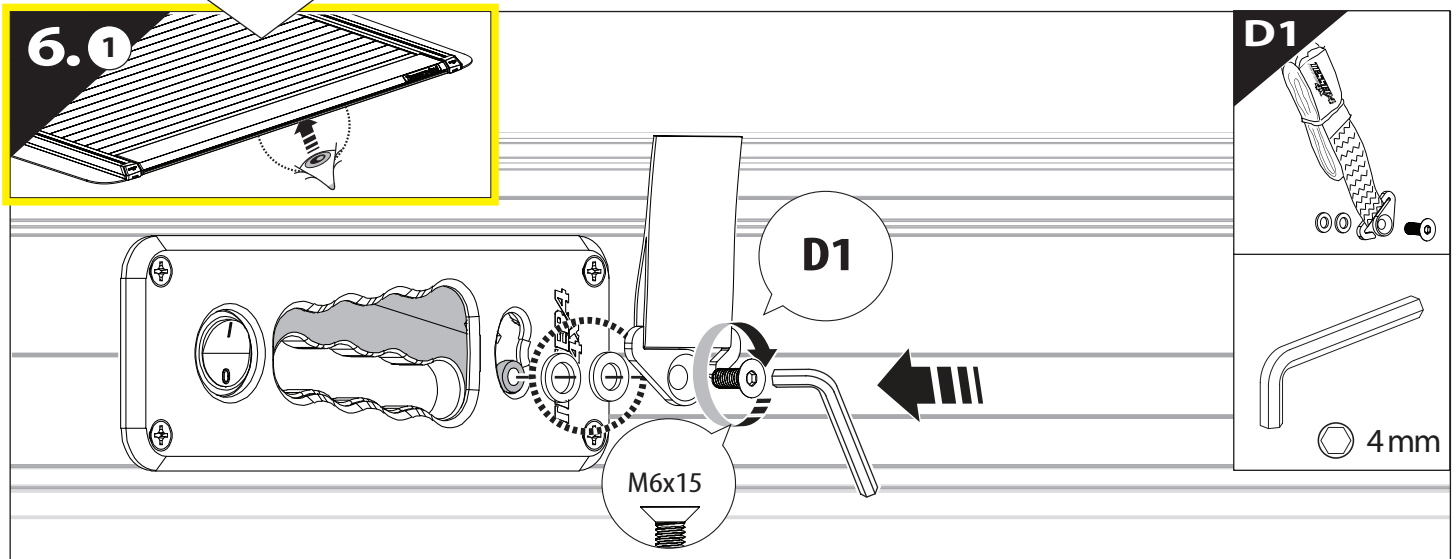
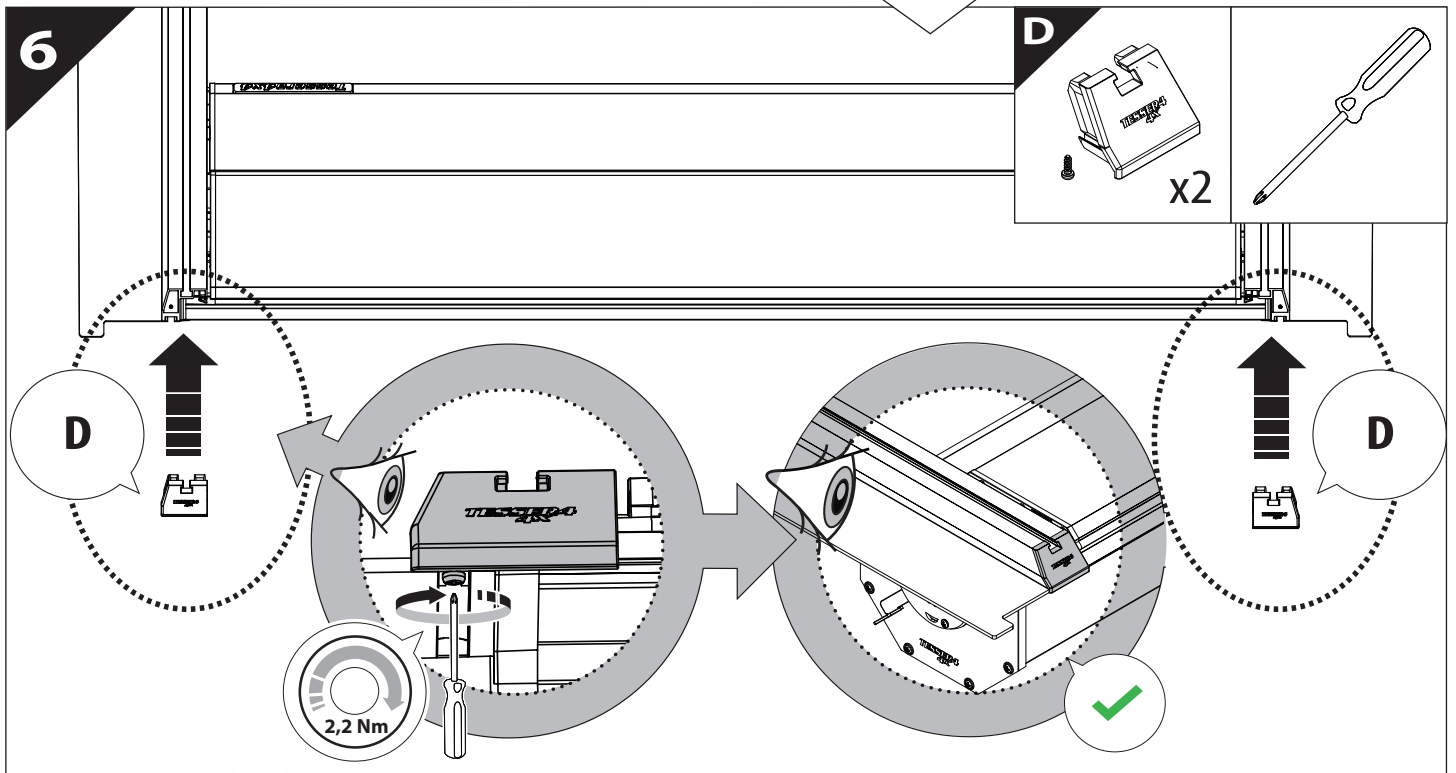
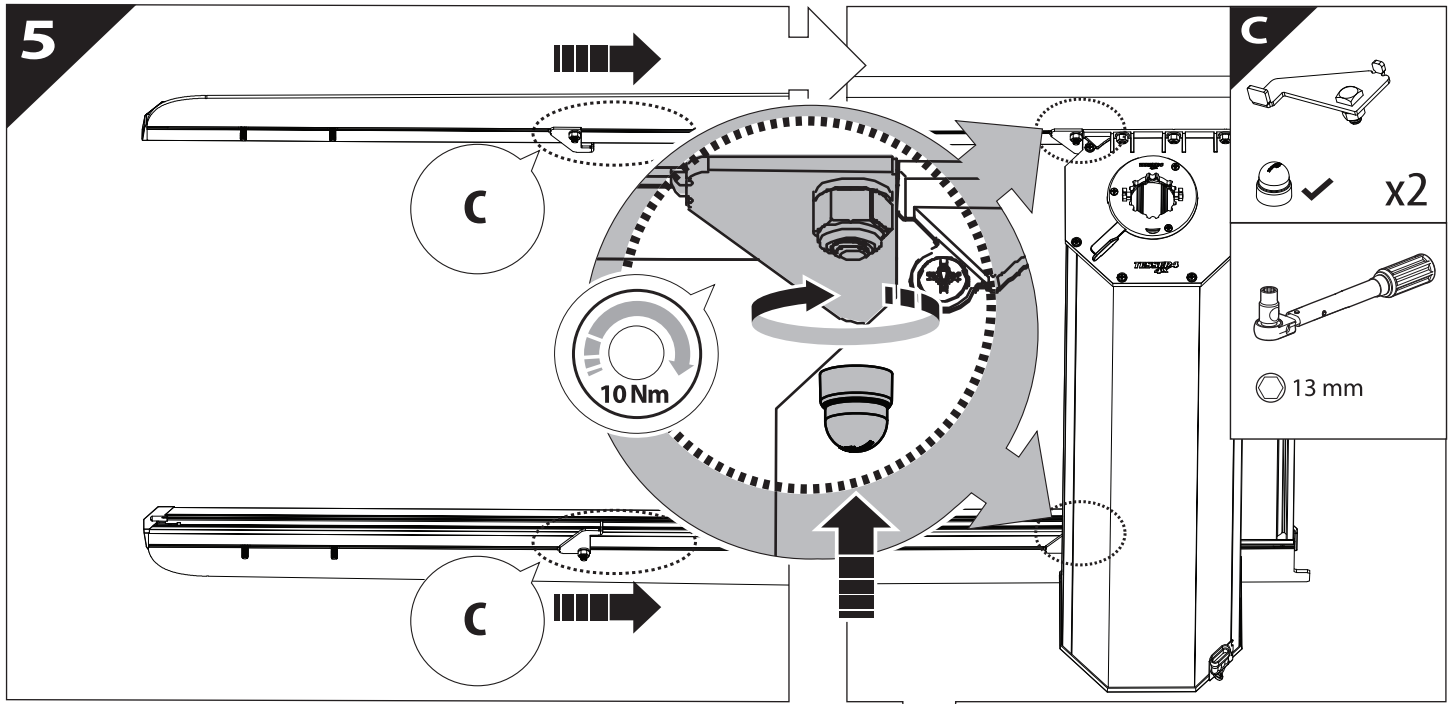


3

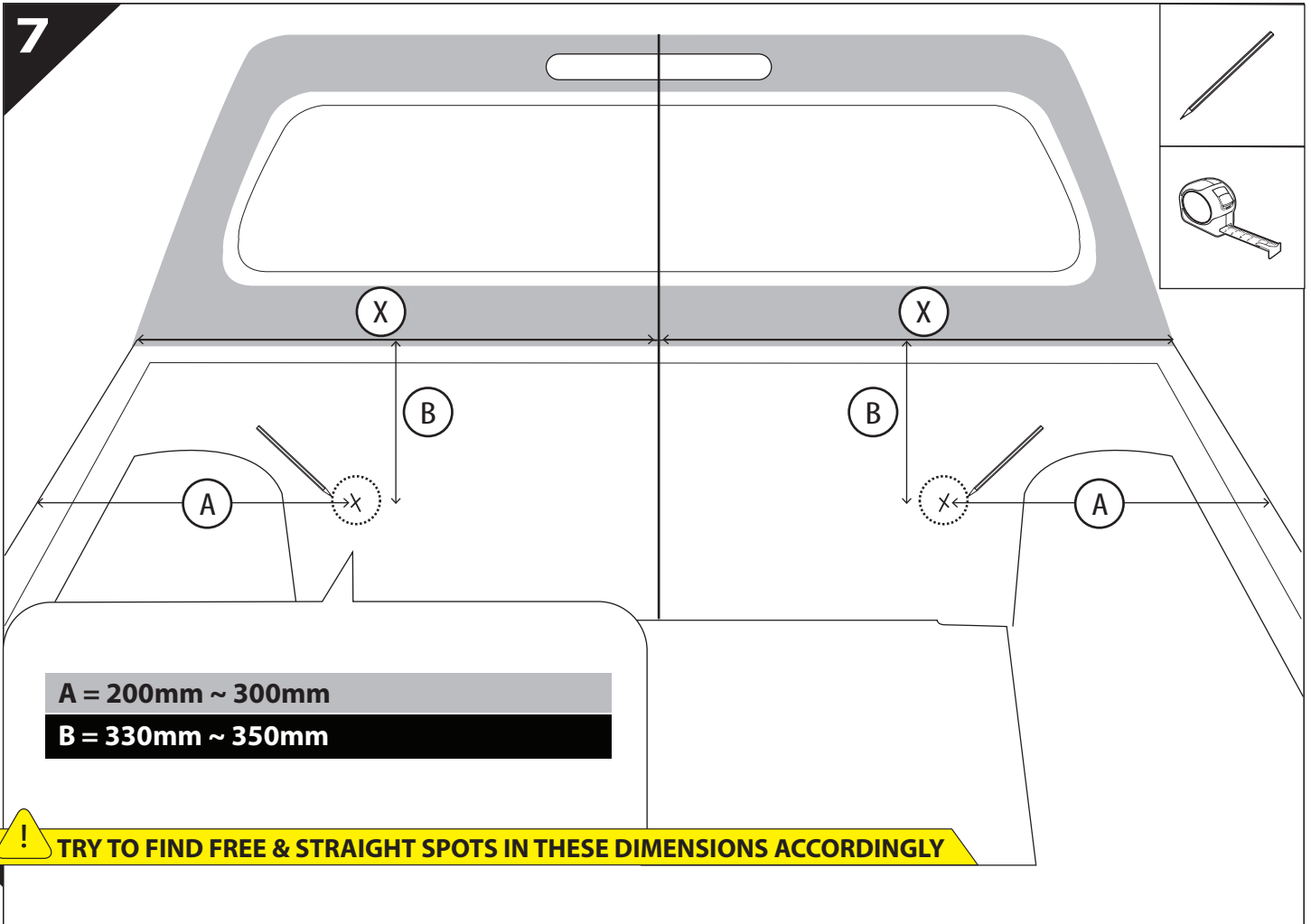
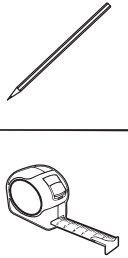


4

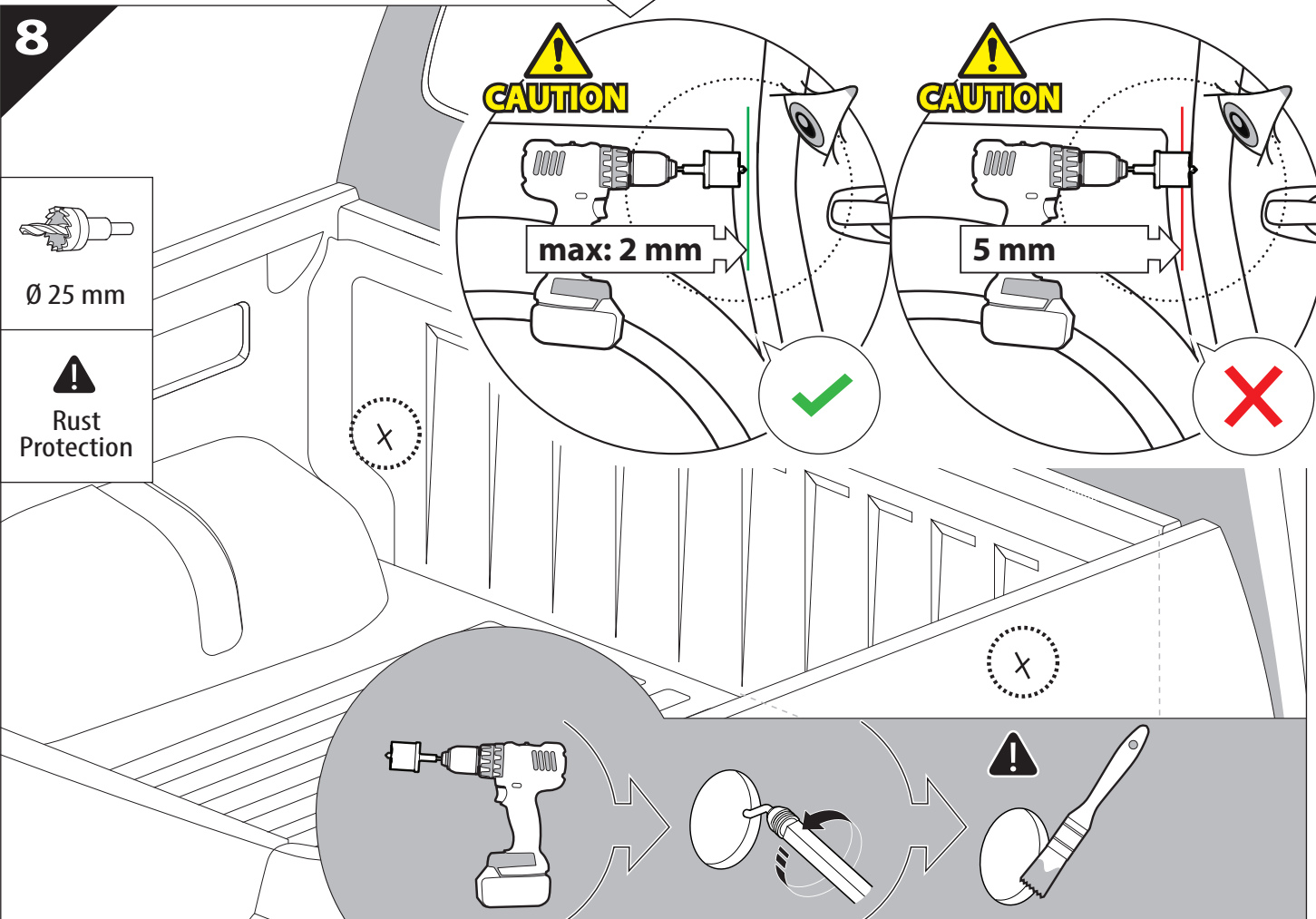


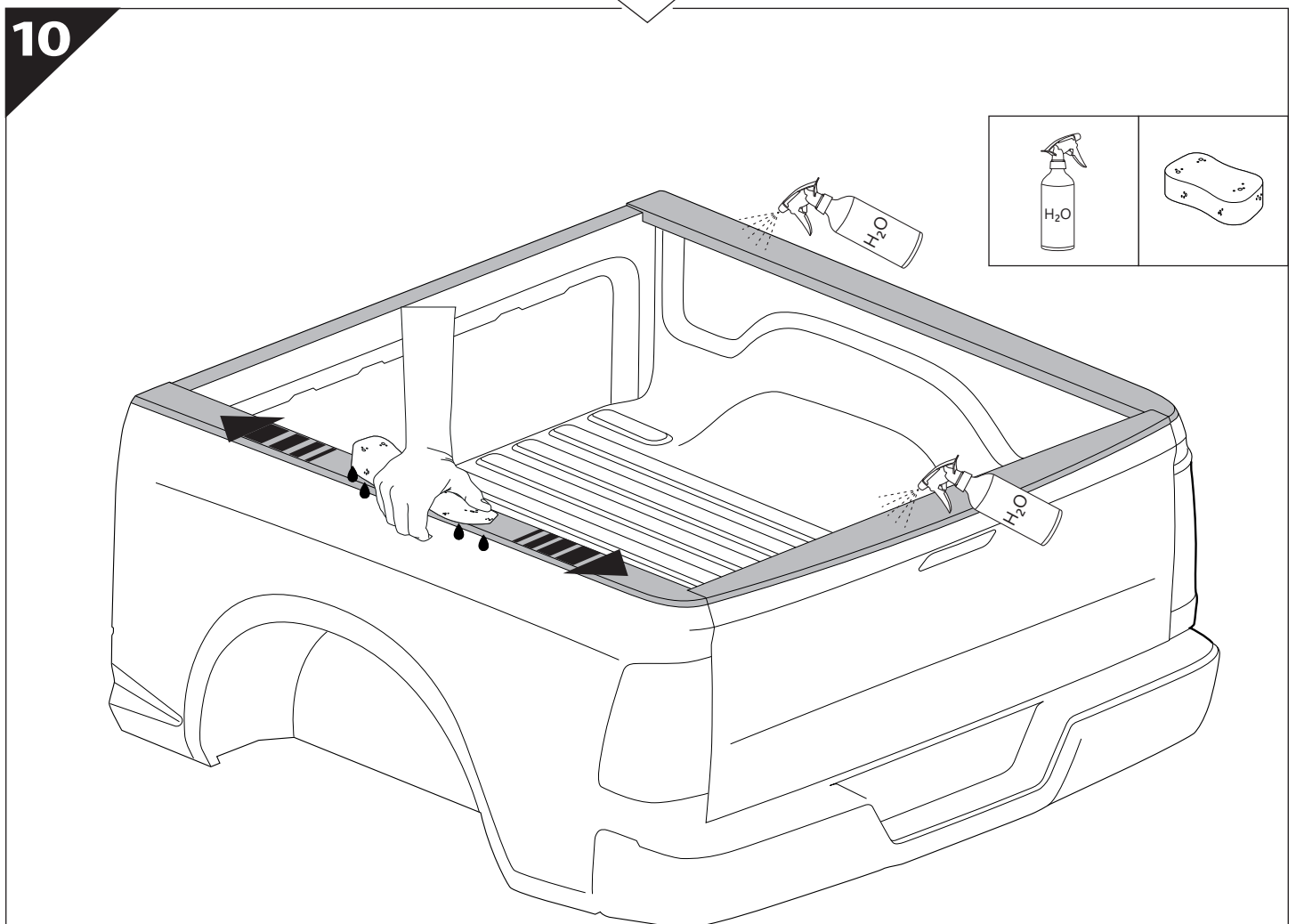
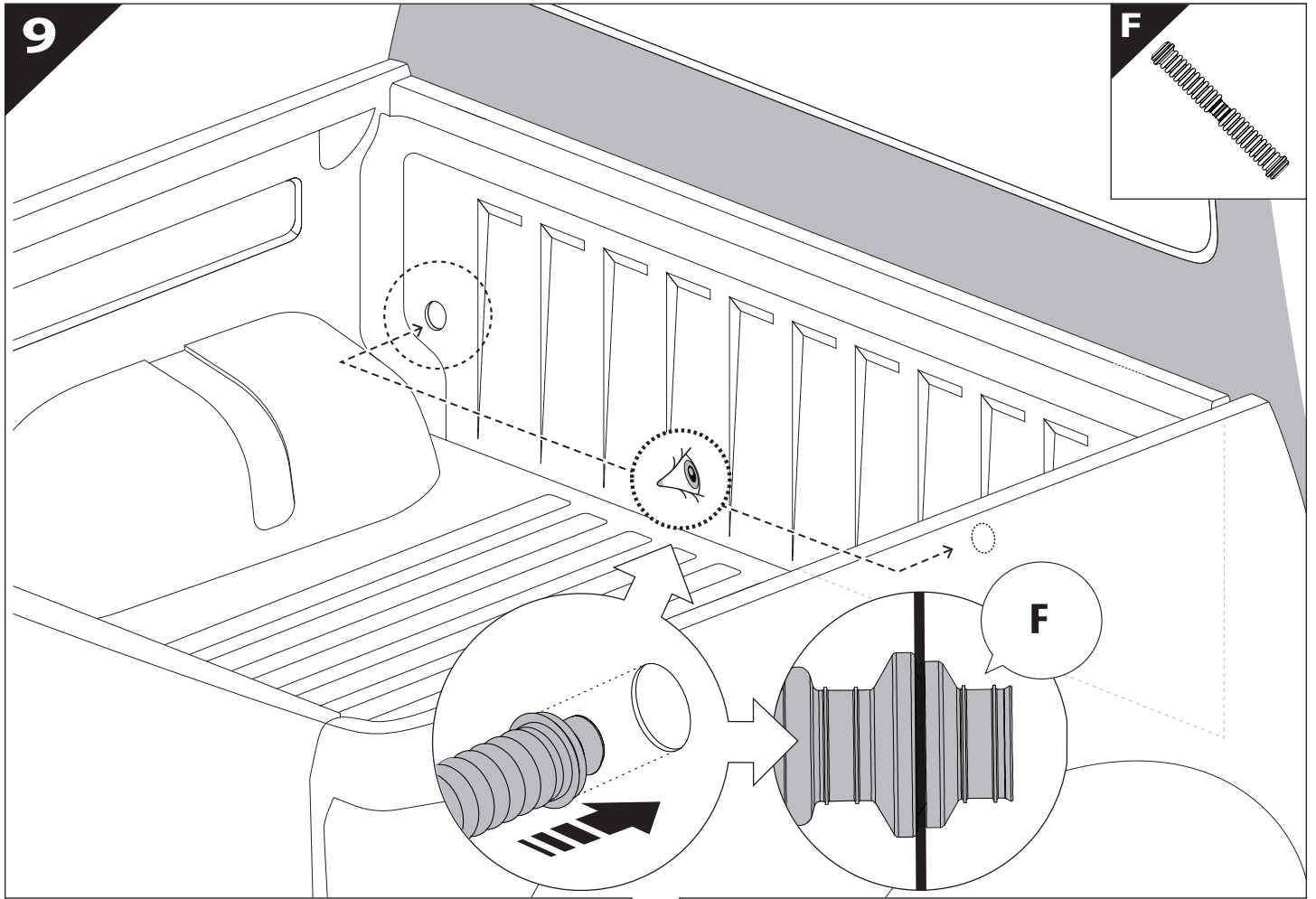


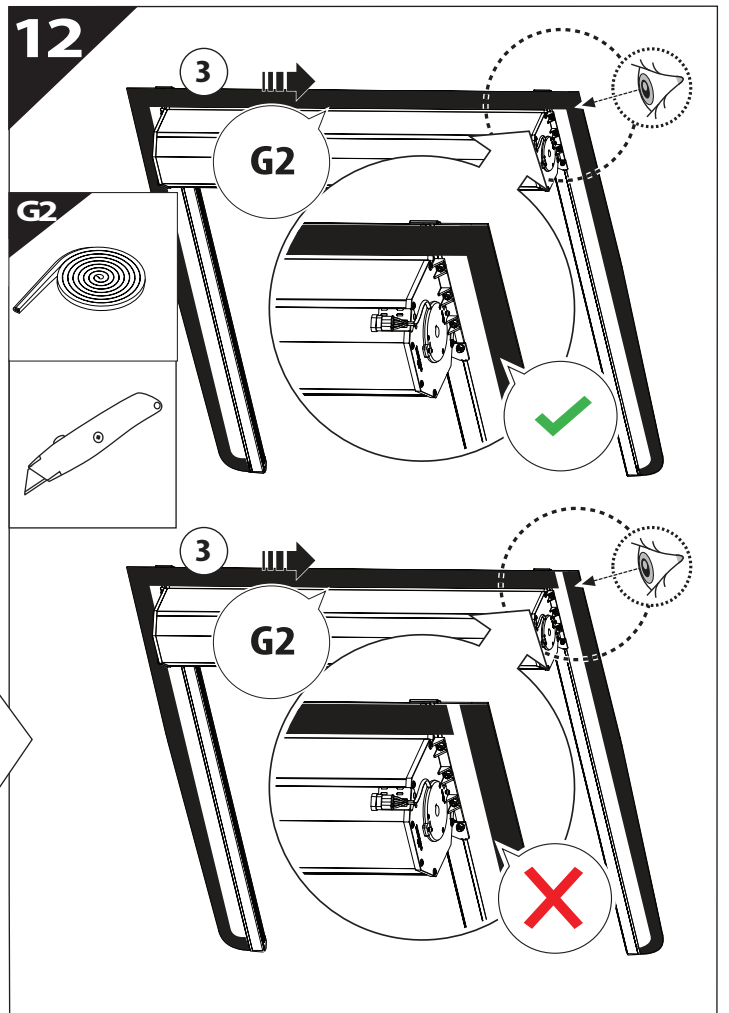
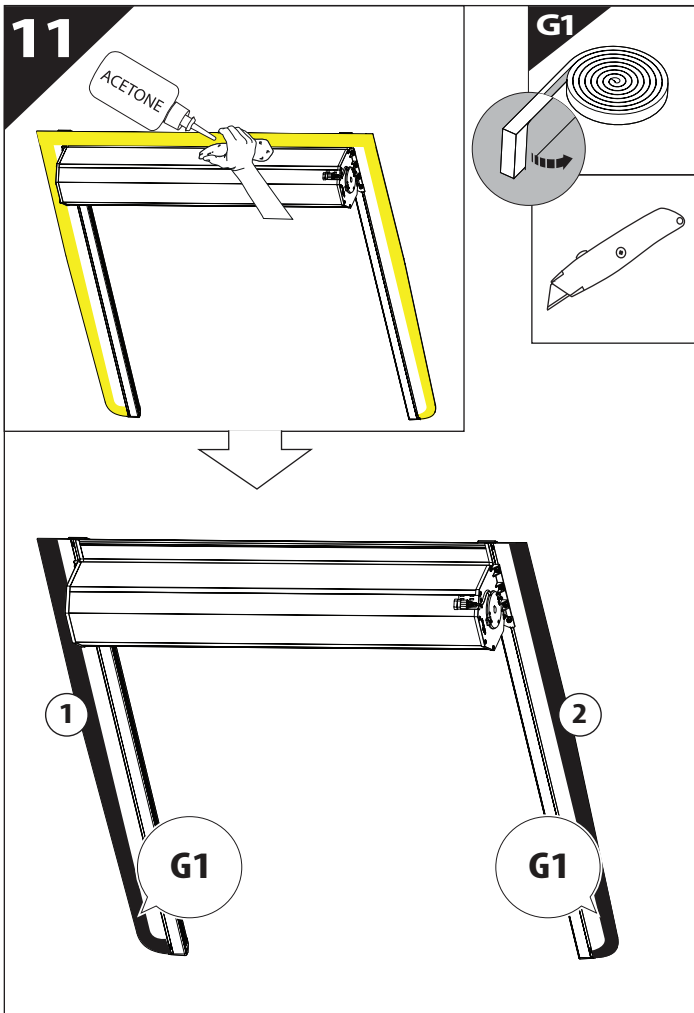
7

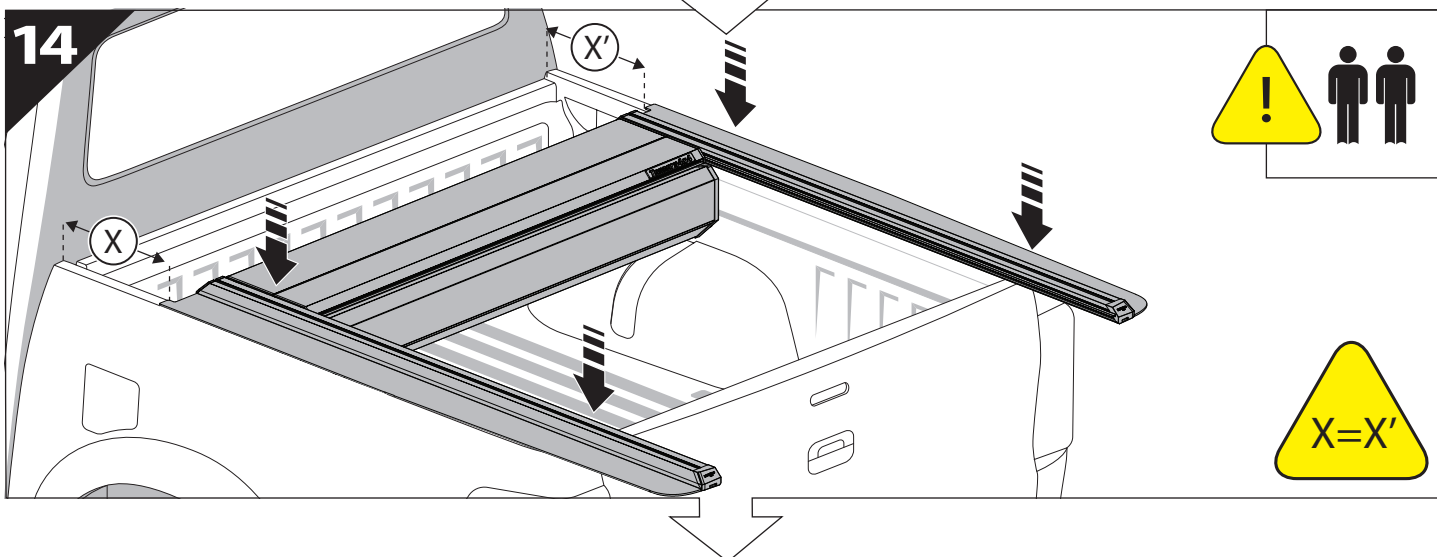
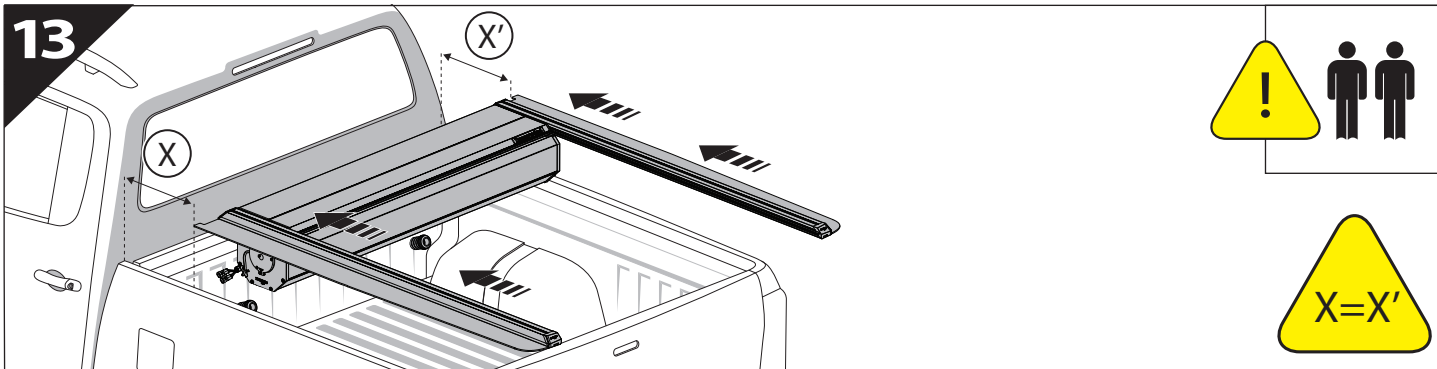


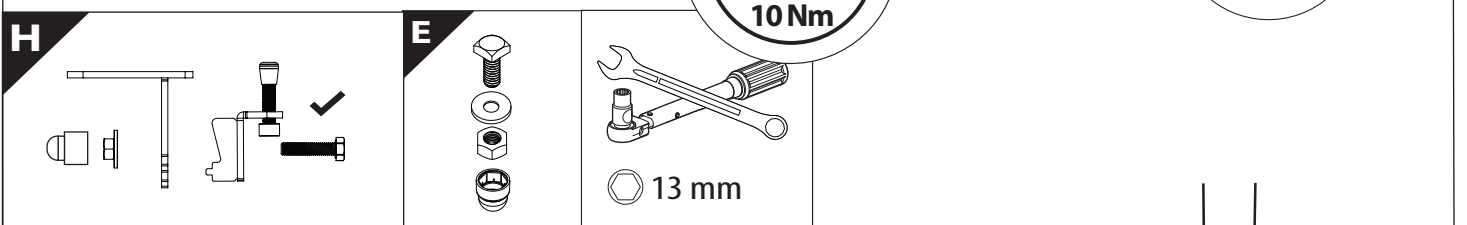
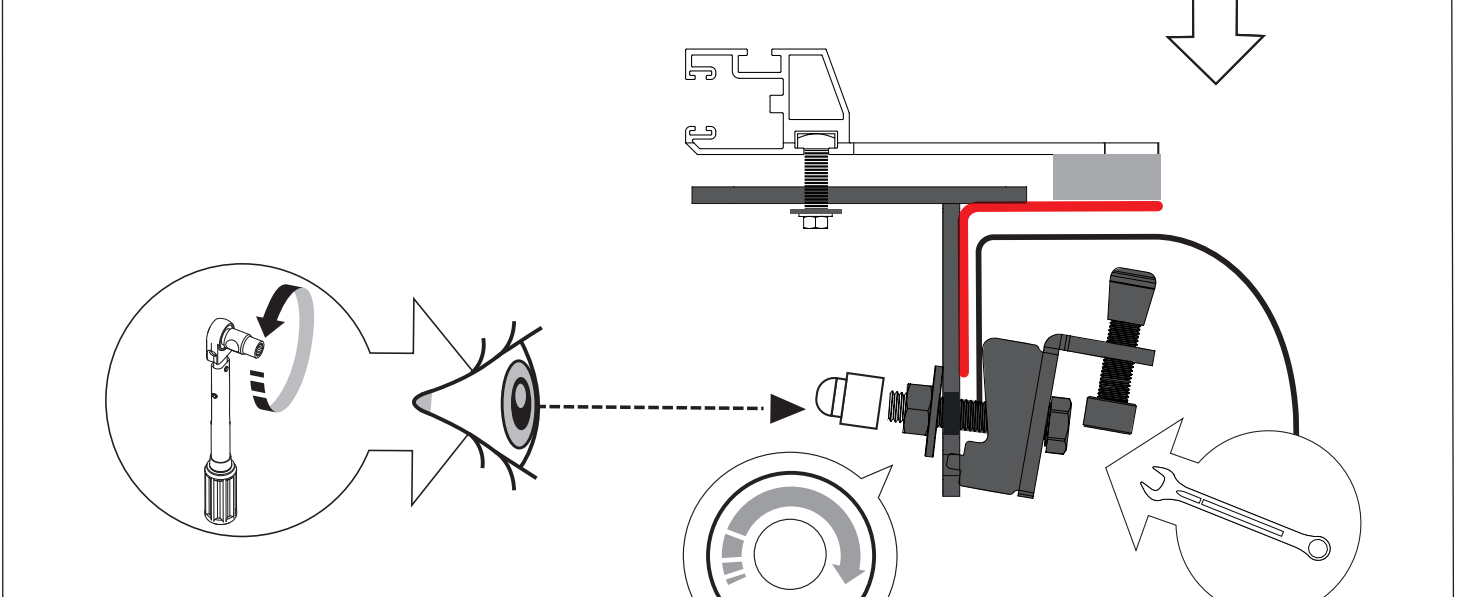
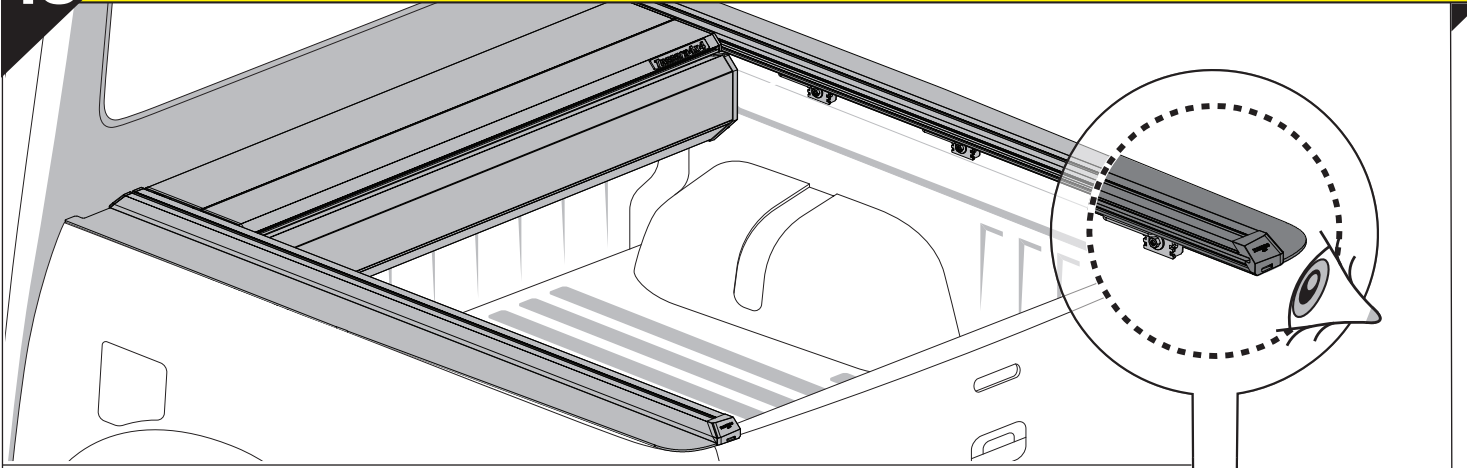
8



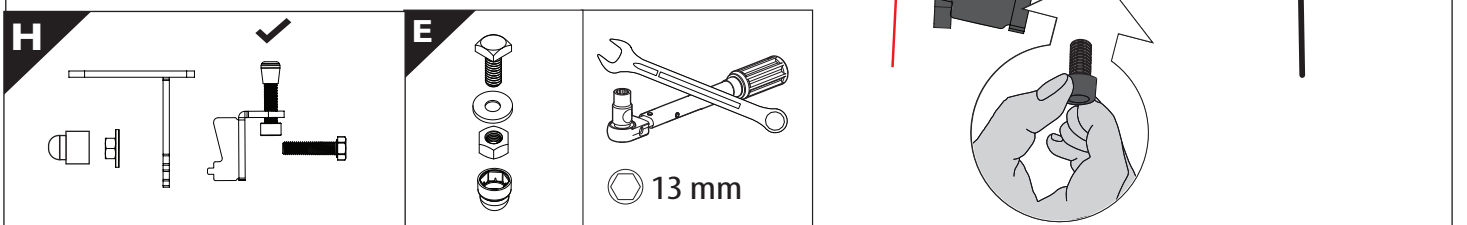
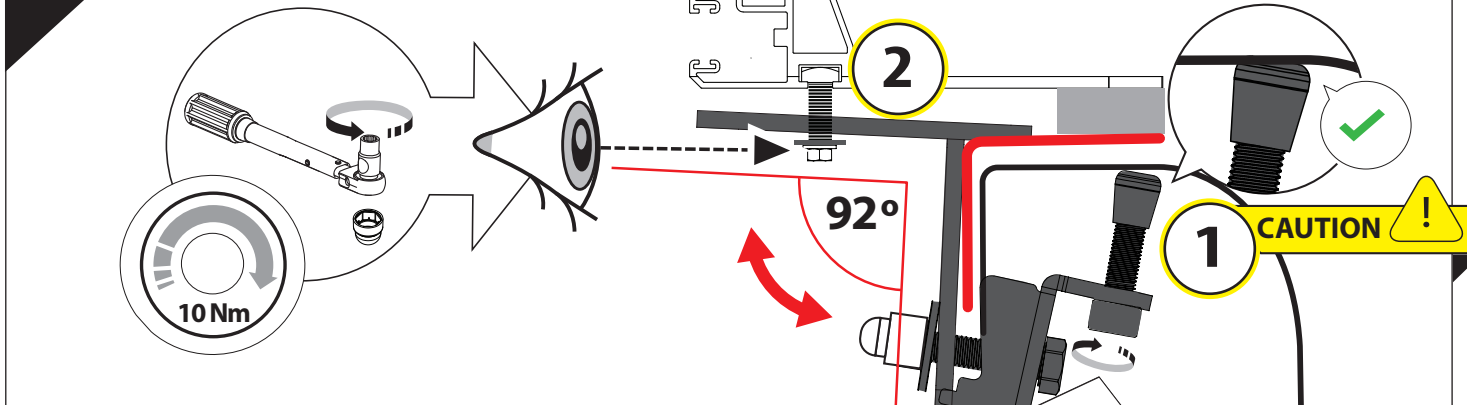


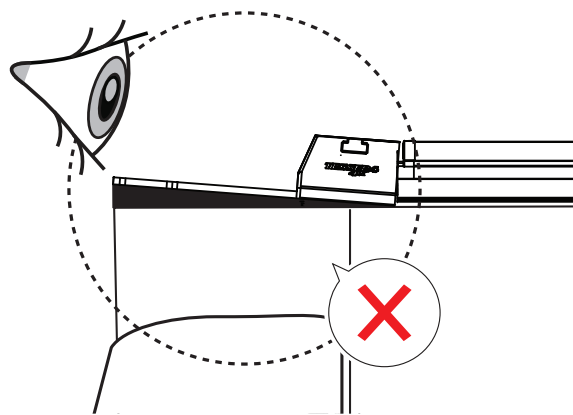
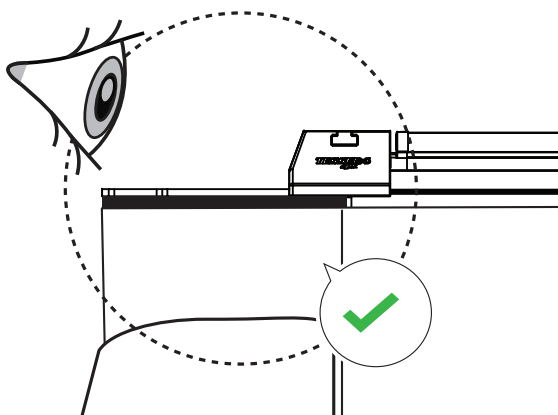
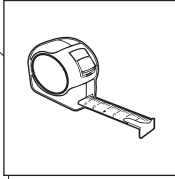
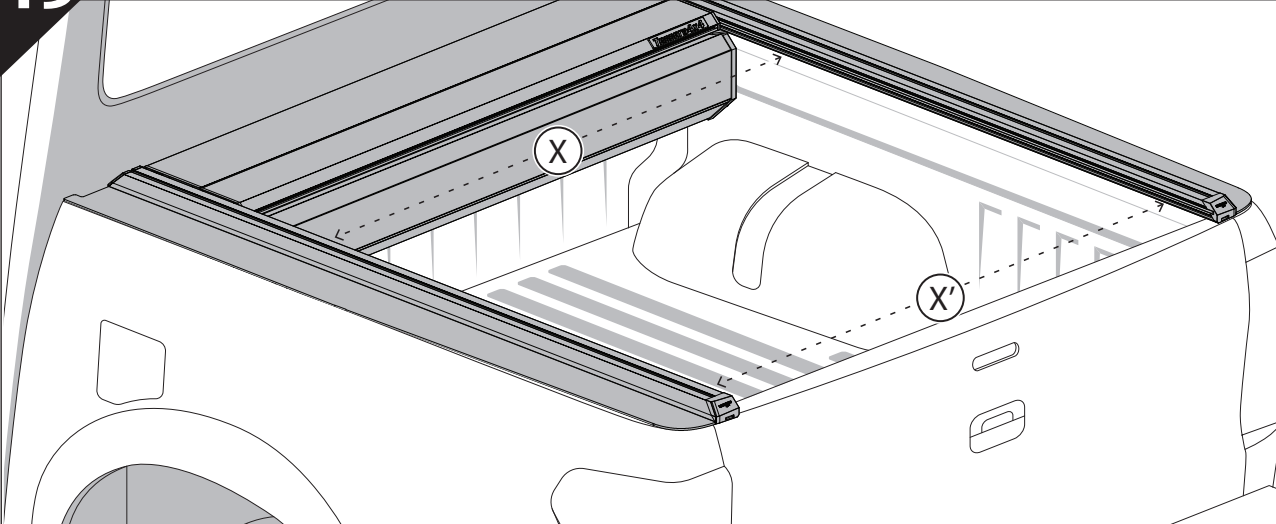




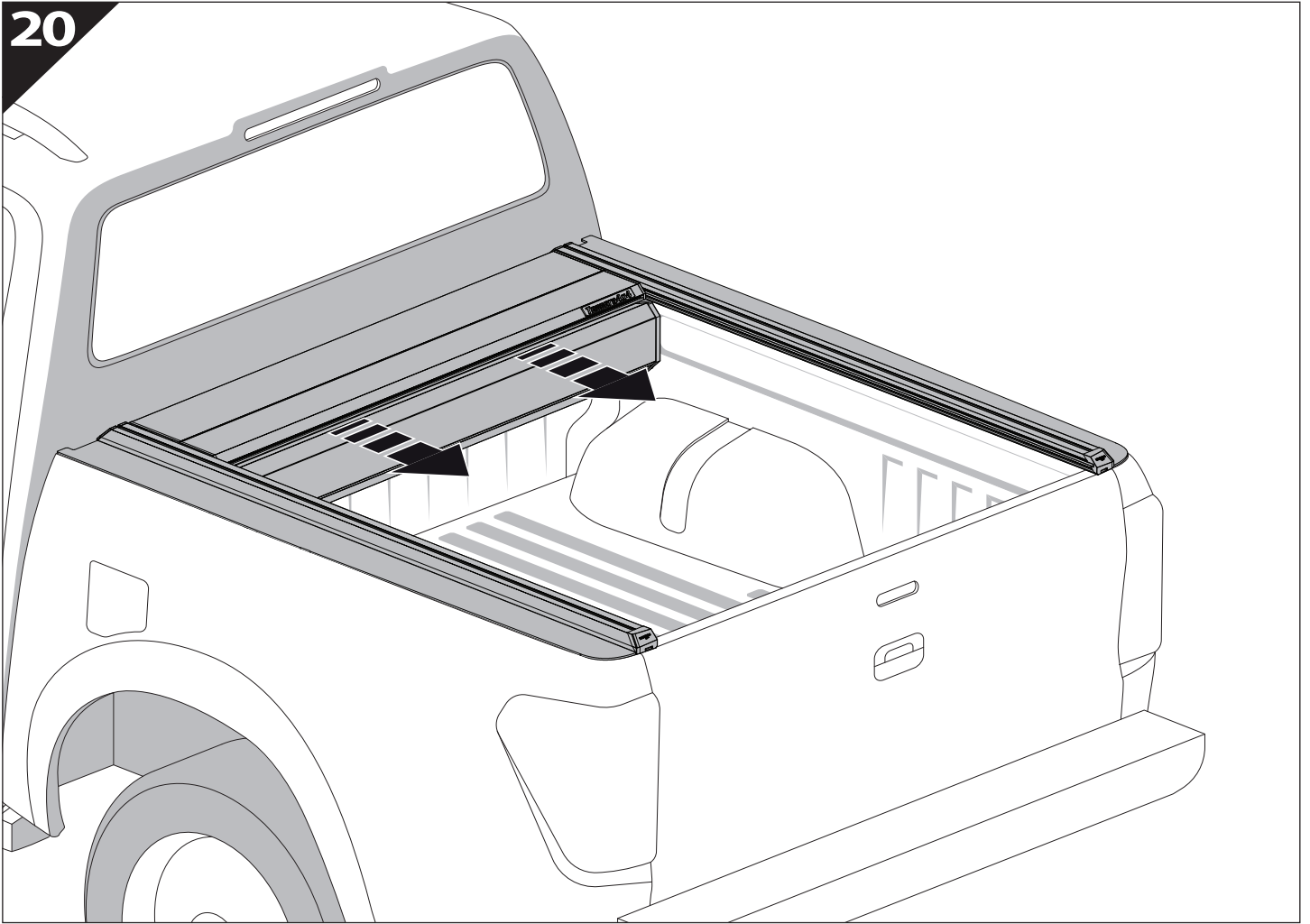


18.1

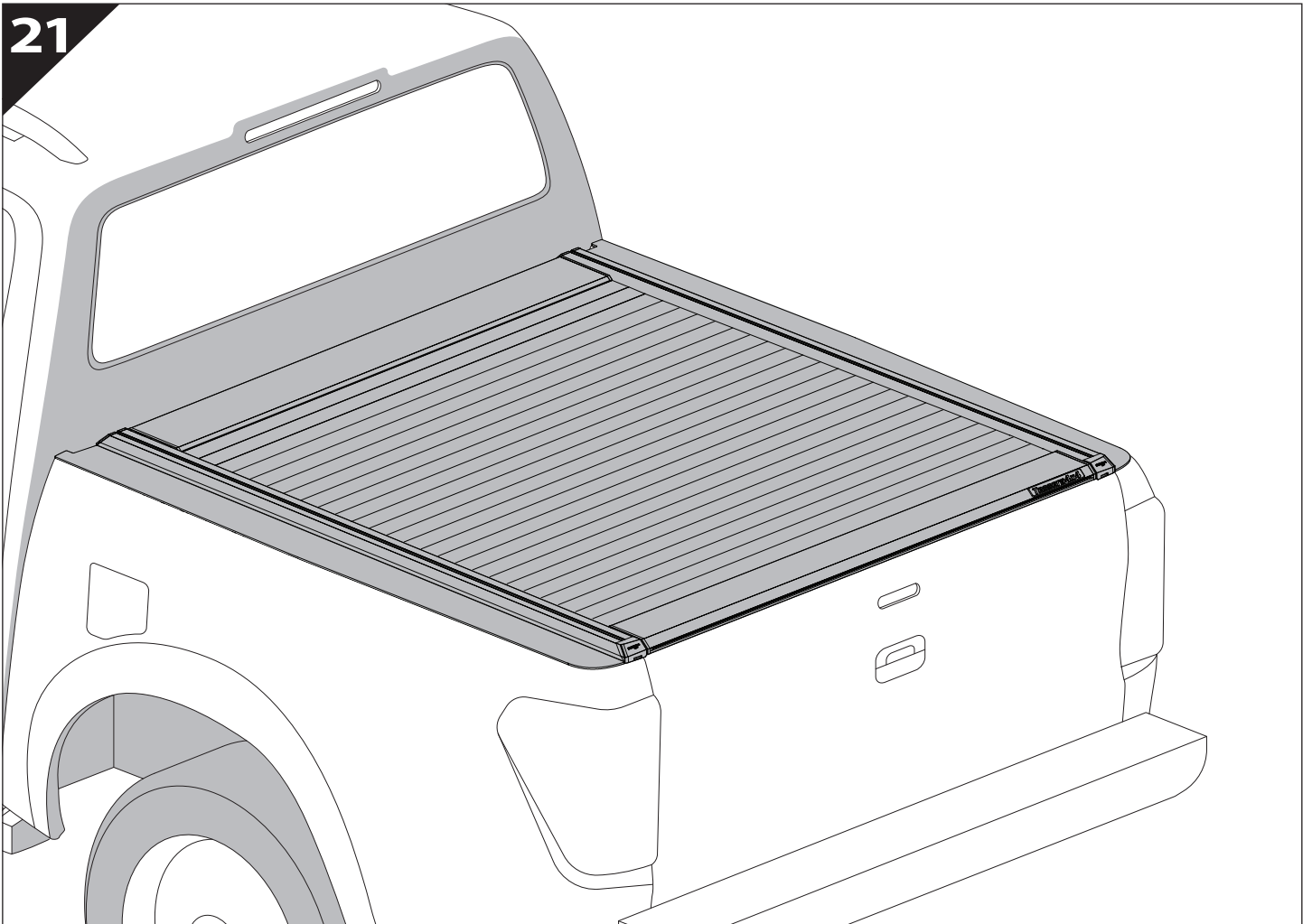




20



21





GR: Οδηγίες Εγκατάστασης
GB: Installation manual
SF: Asennusohje
F: Notice de montage
PL: Instrukcja montażu
NL: Installatie-instructies
TR: Montaj Talimatı
S: Monteringsanvisning
E: Instrucciones de montaje

H: Szerelési utasítás
P: Instruções de instalação
RUS: Инструкция по установке
N: Monteringsveiledning
D: Einbauanleitung
CZ: Návod k instalaci
I: Istruzioni de montaggio
DK: Monteringsvejledning
RO: Instructiuni de instalare

Customer Service:

+30 (210) 5541161, +30 (210) 5541154 (08:00 - 16:00 EET)

Support department:

info@gianso.gr

Website:

www.tessera4x4.com

Address:

19.5 km of National road Athens-Korinthos (Elefsina) Greece, P.C: 19200