

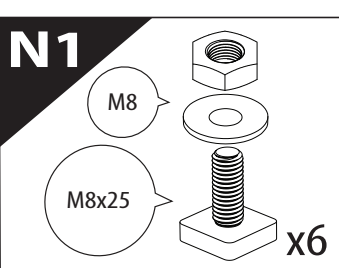
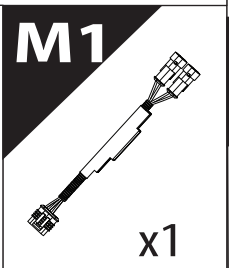
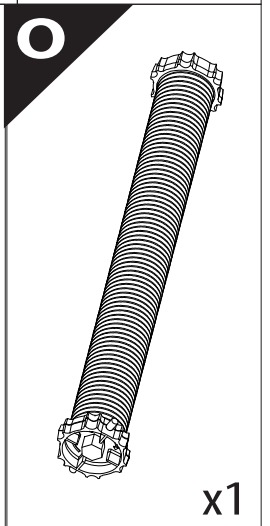
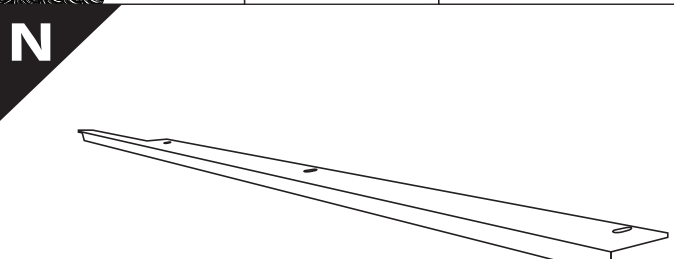
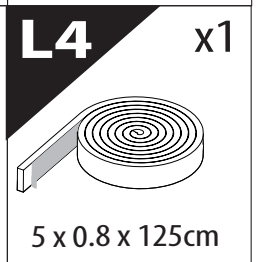
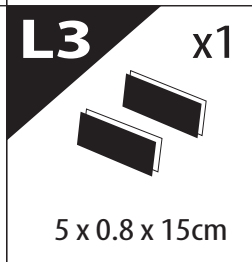
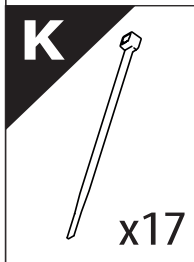
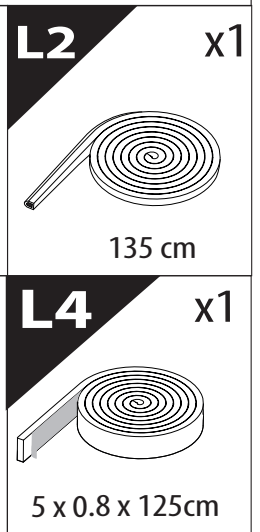
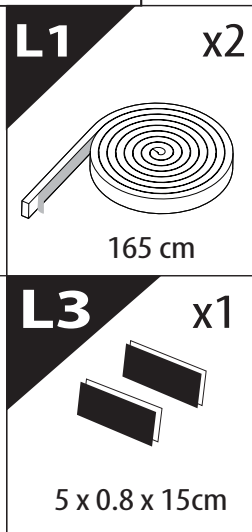
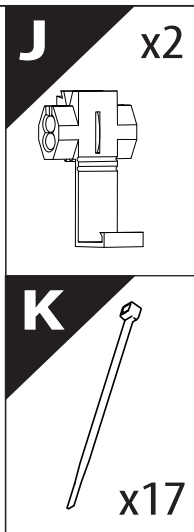
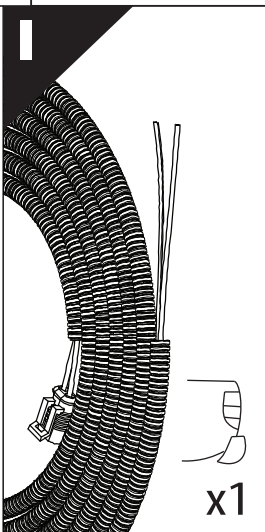
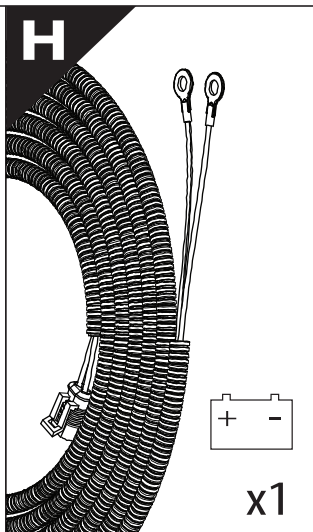
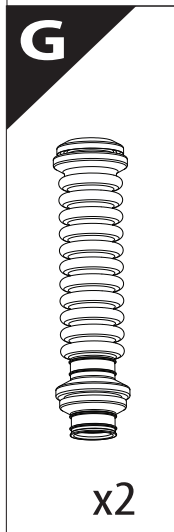
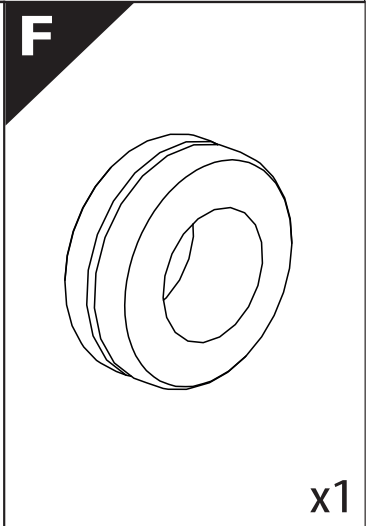
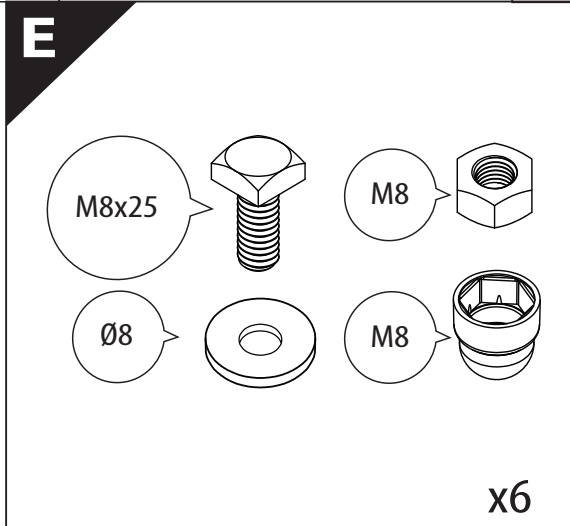
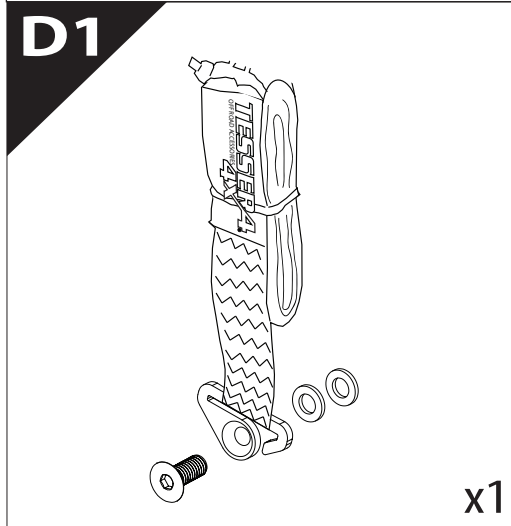
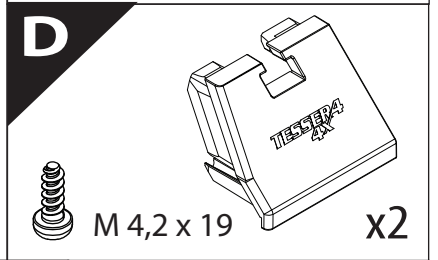
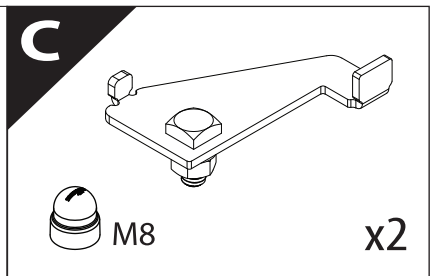
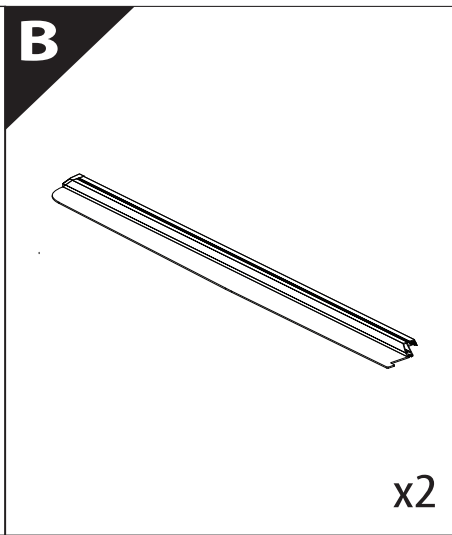
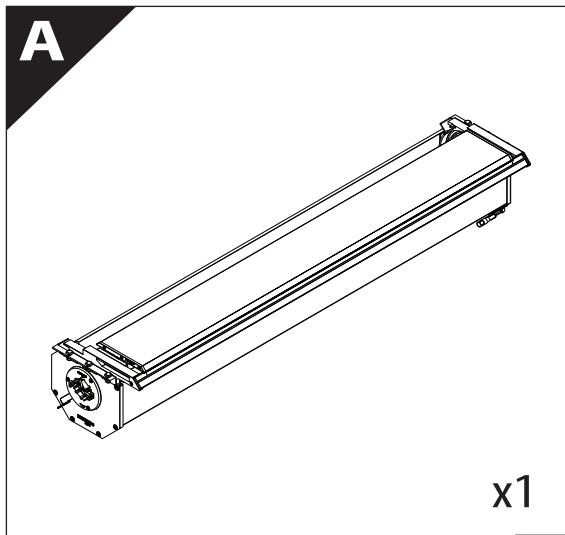
Tessera Roll+

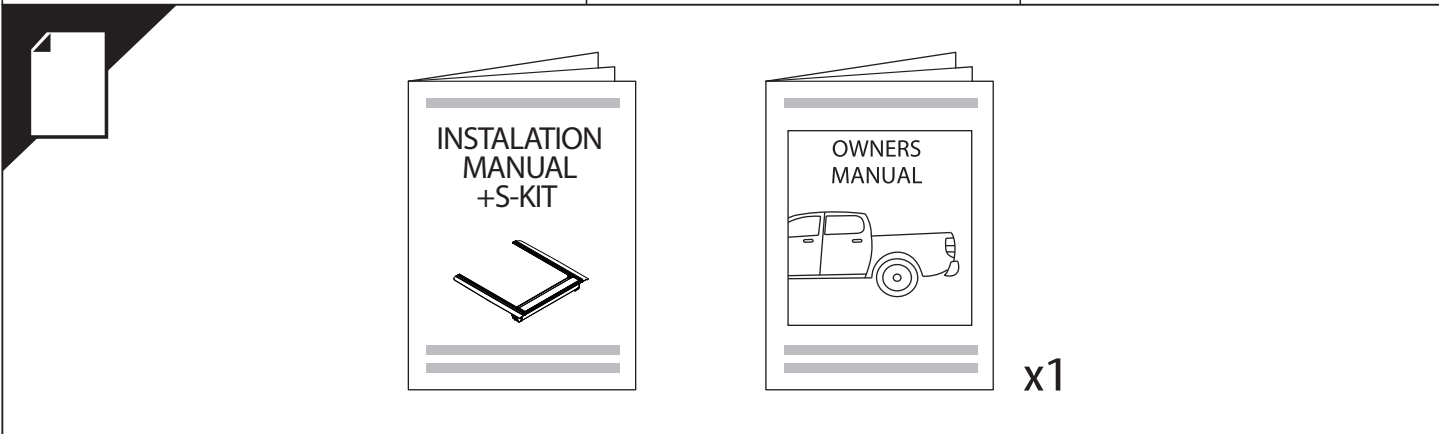
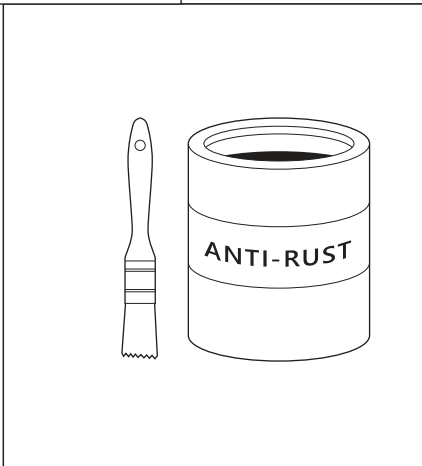
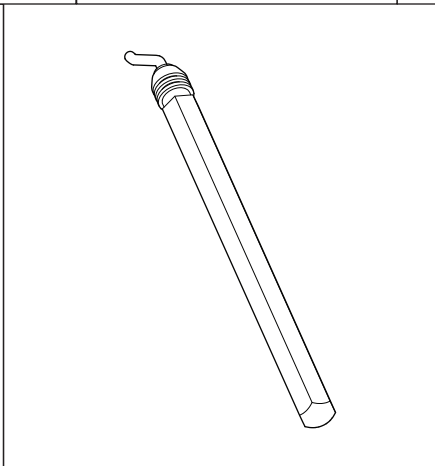
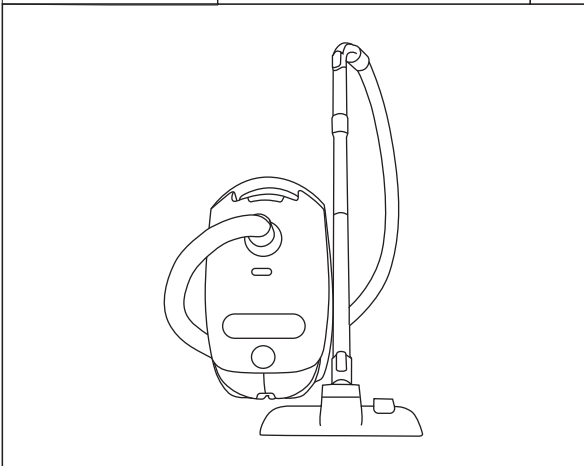
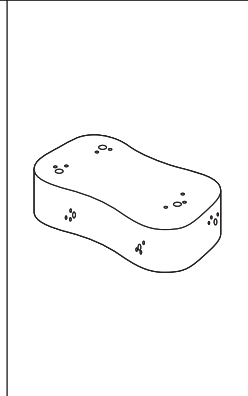
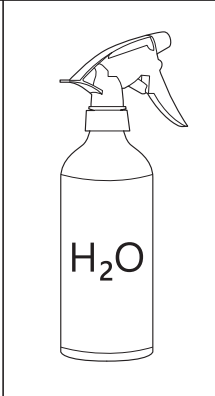
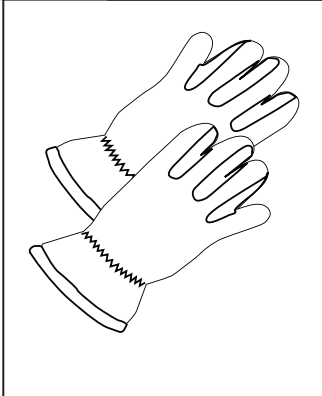
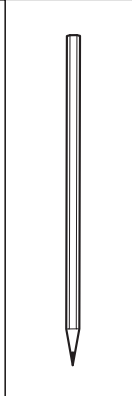
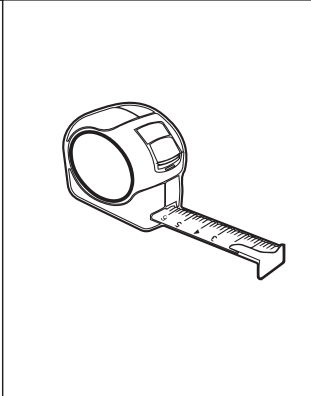
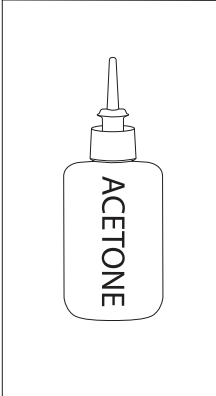
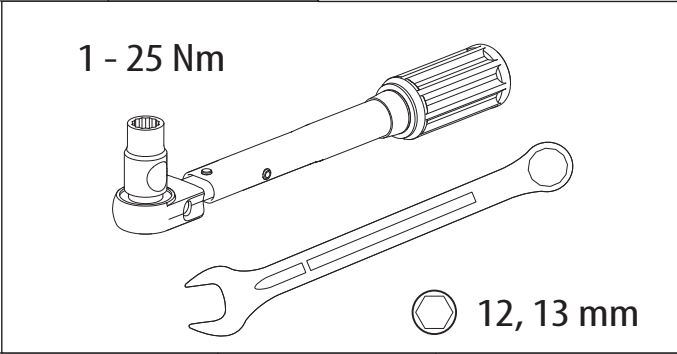
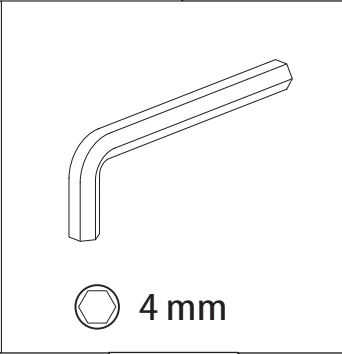
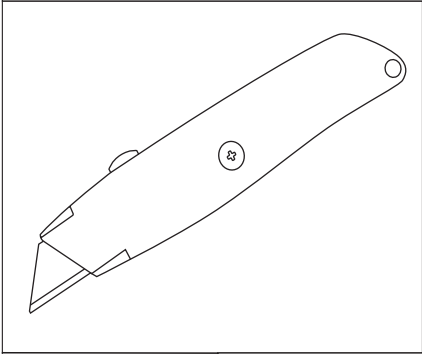
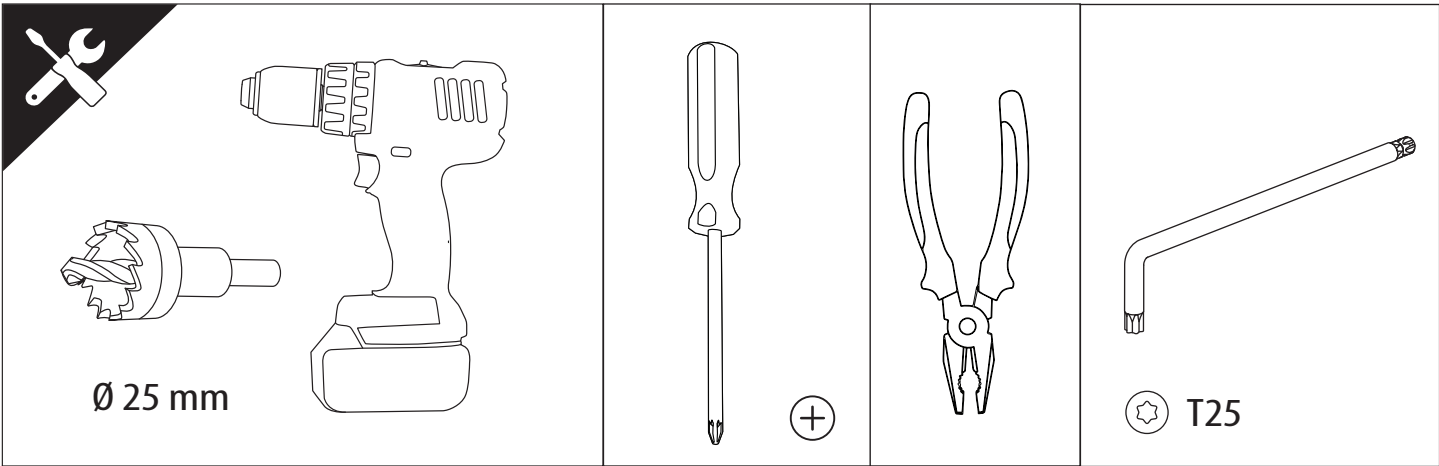
Basic Version + ⚙️ S-KIT

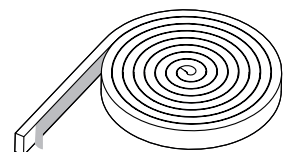
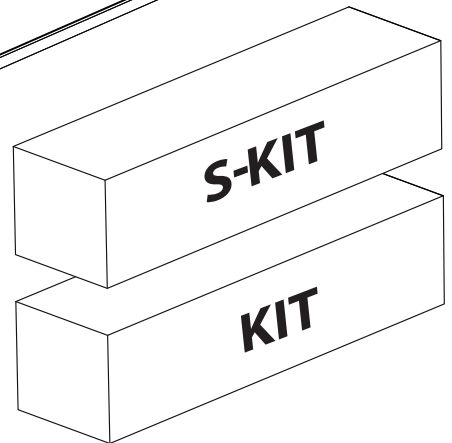
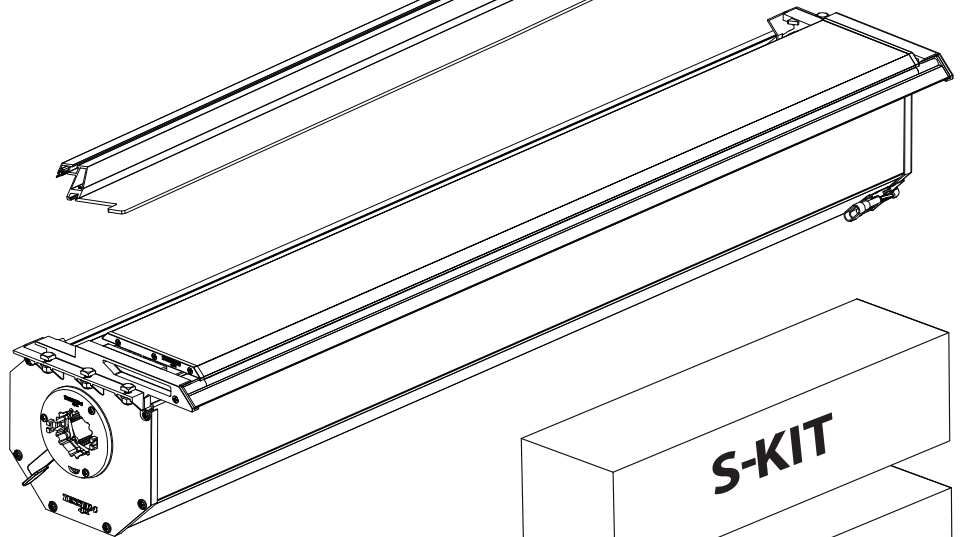
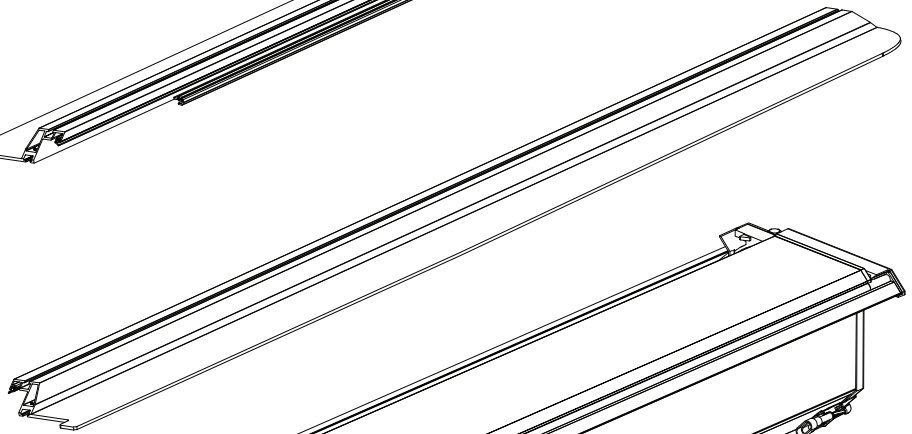
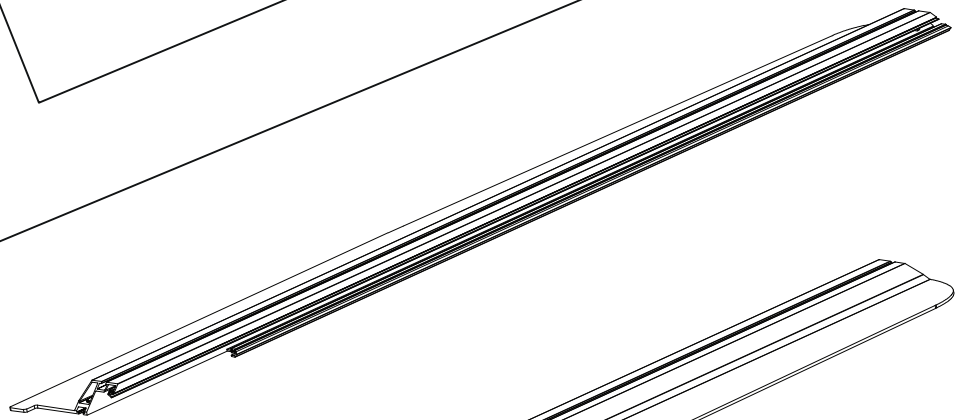
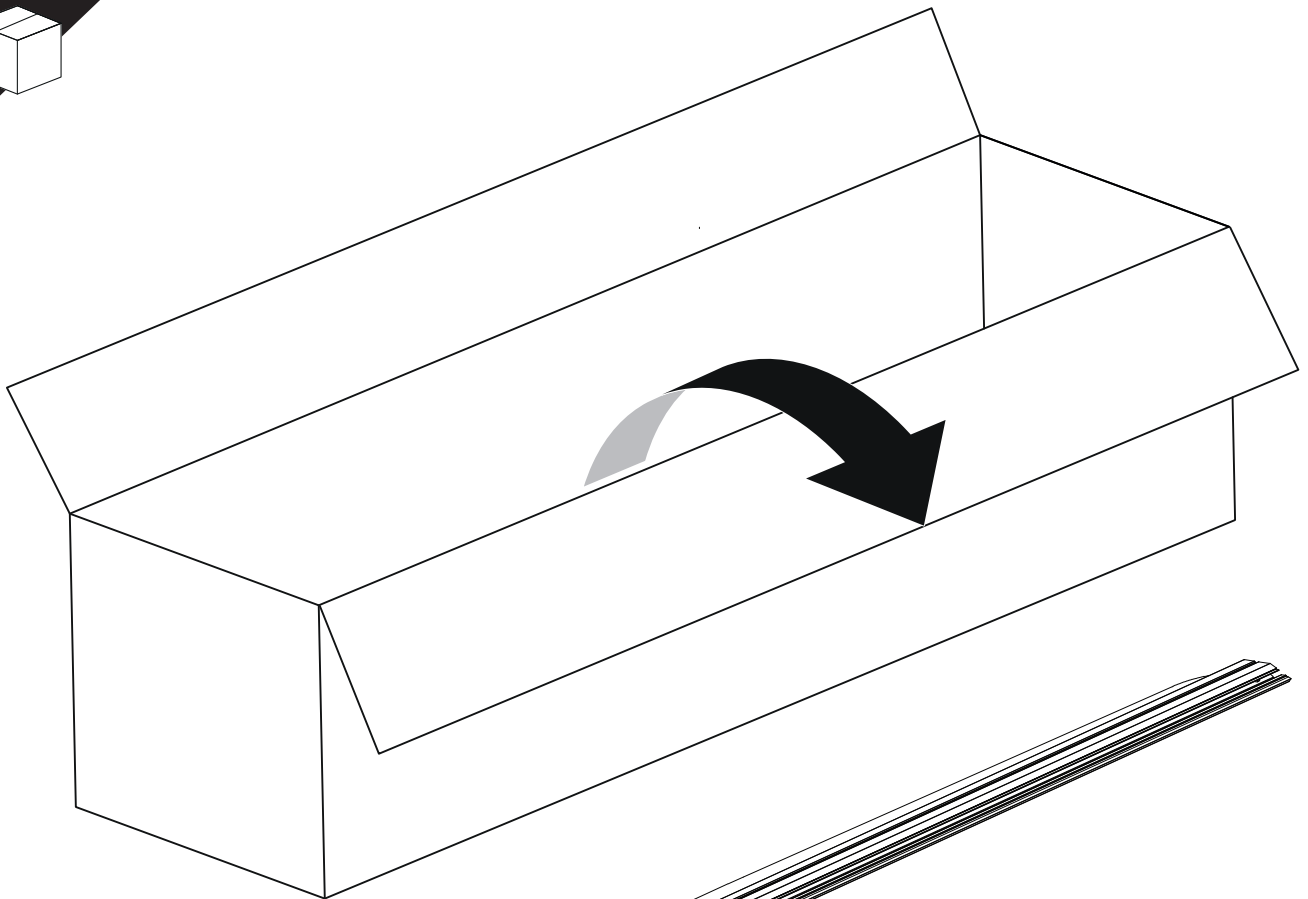


Installation Manual

| PART NUMBER(S) | Model Year |
|-----------------------|-----------------------------|
| TESS 14240 ROLL+S-KIT | Dodge Ram RamBox 1500 2019+ |
| Cab(s) | Installation Time / Weight |
| Double Cab | 40-60 minutes / 53-57 kg |





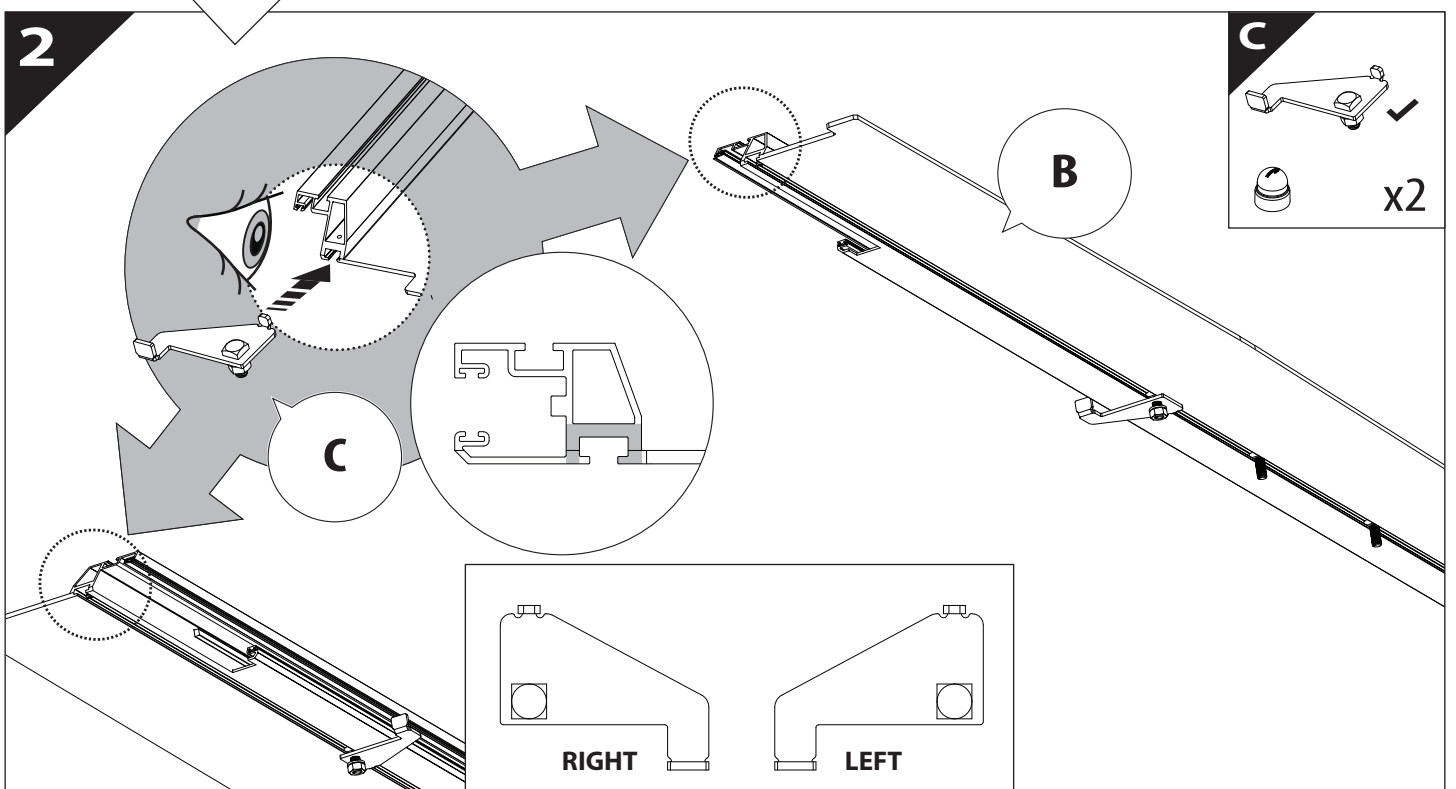
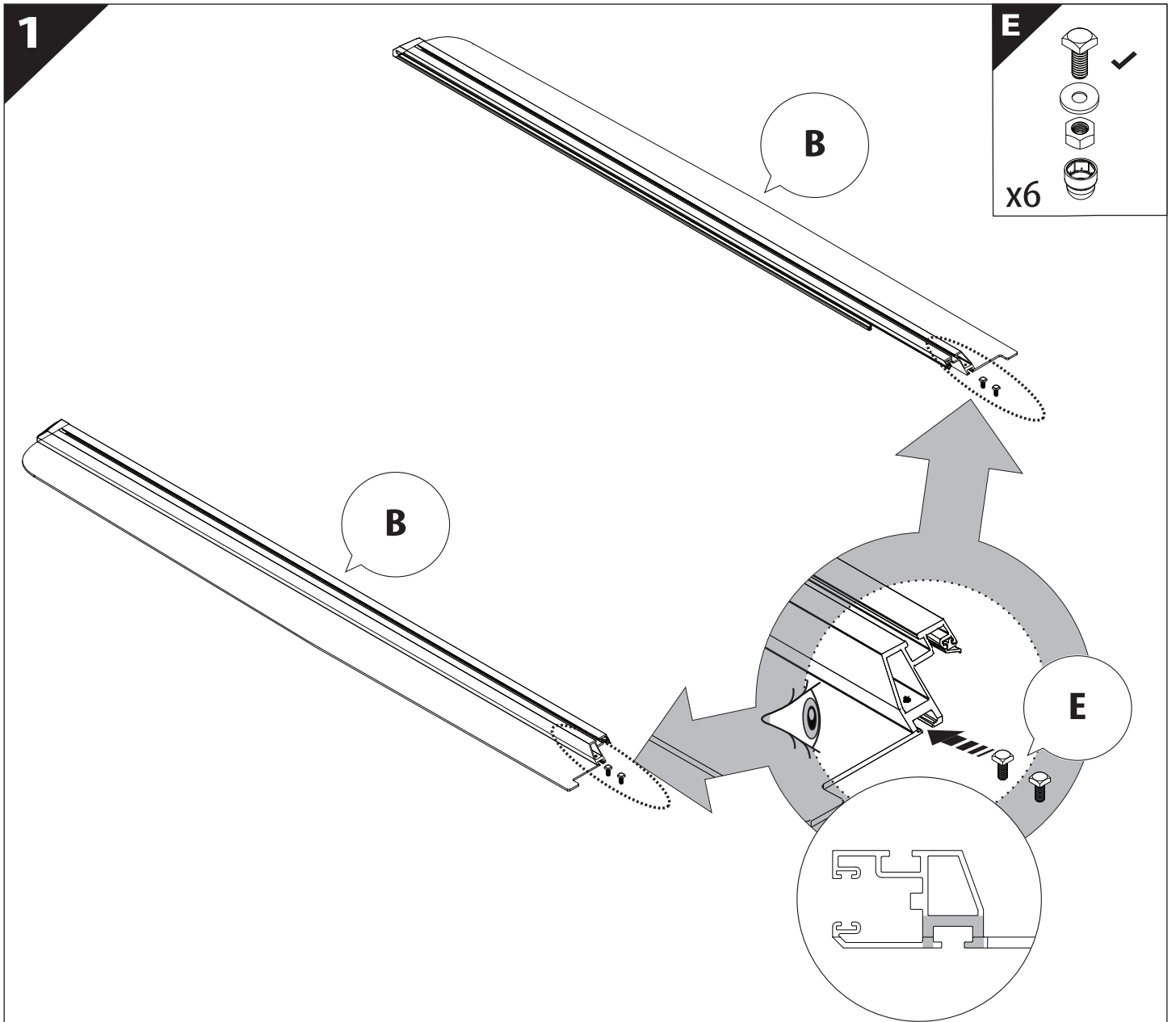


B

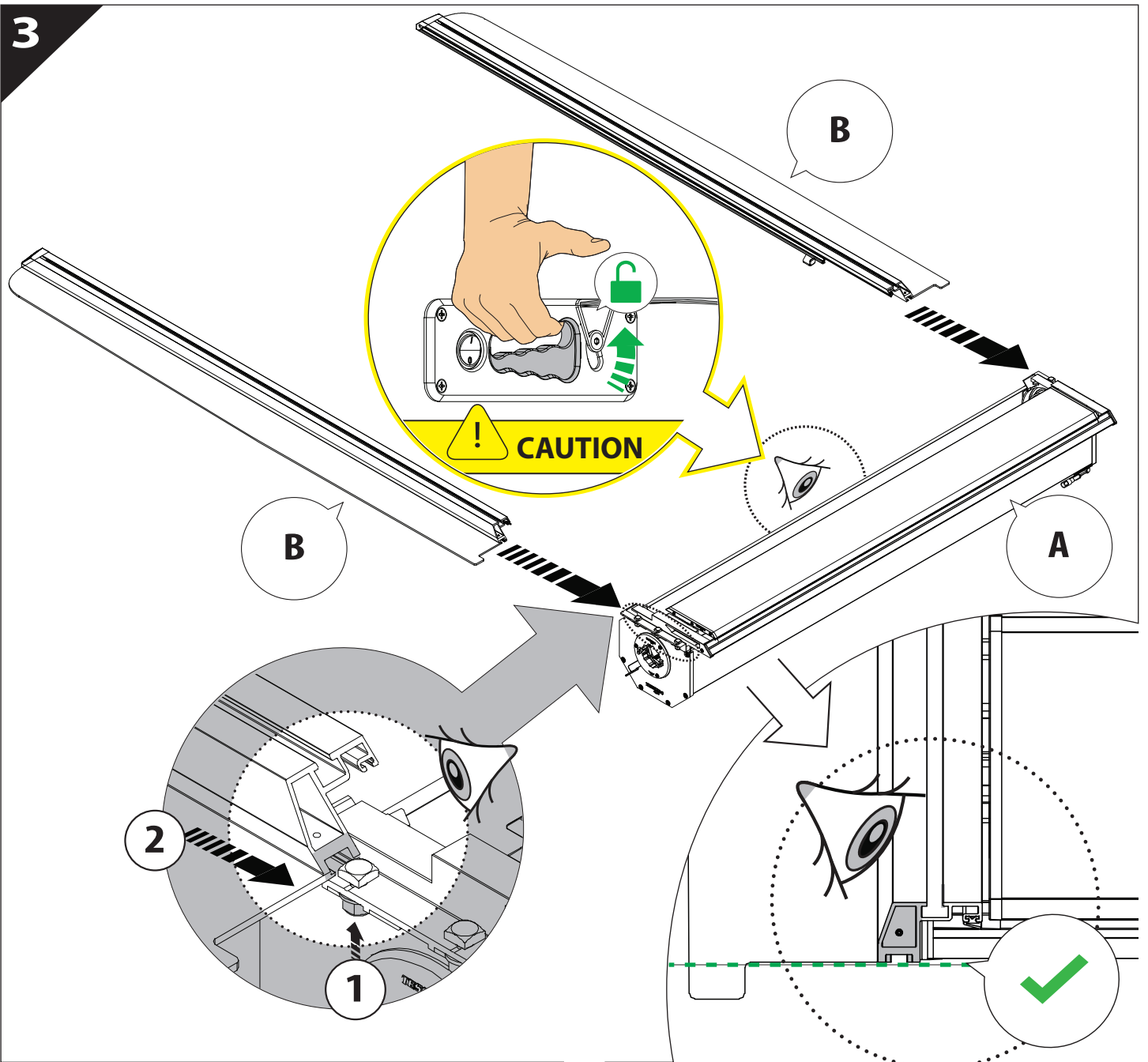
A

KITS

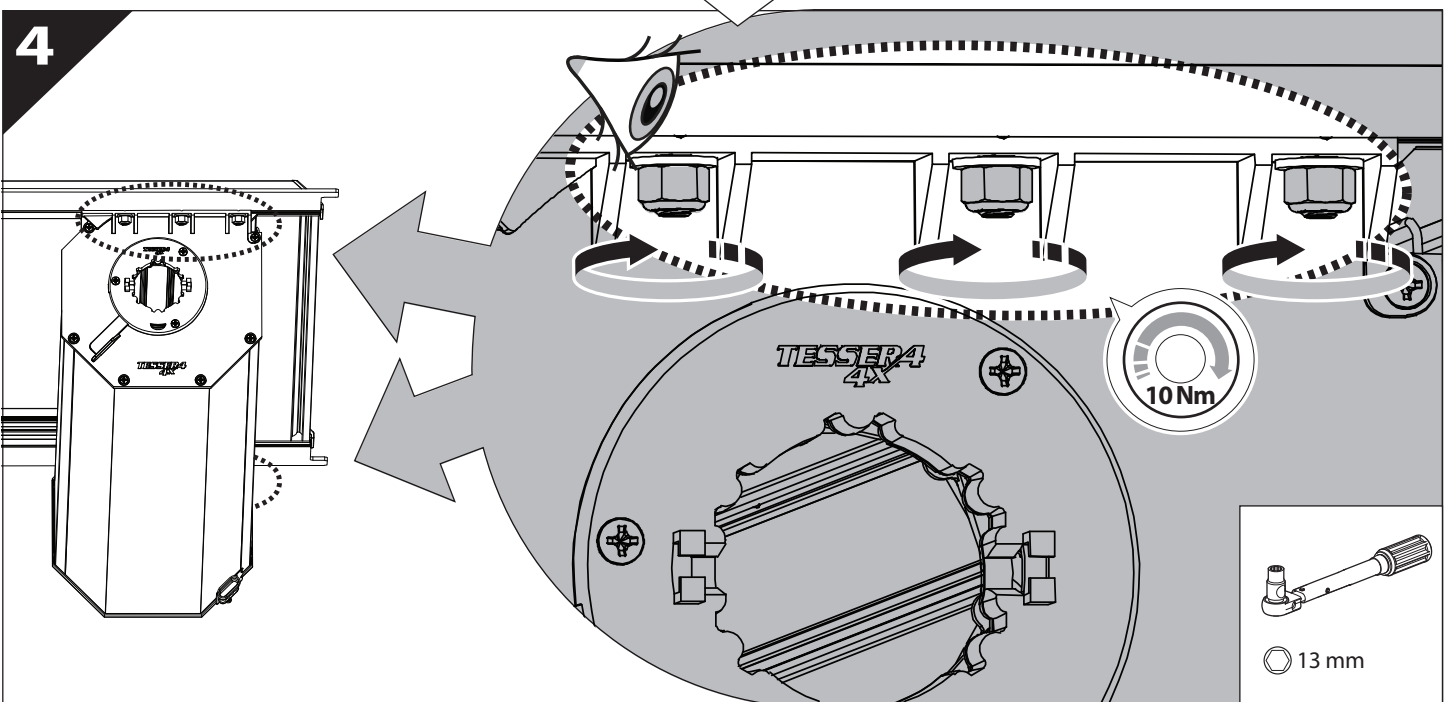
L

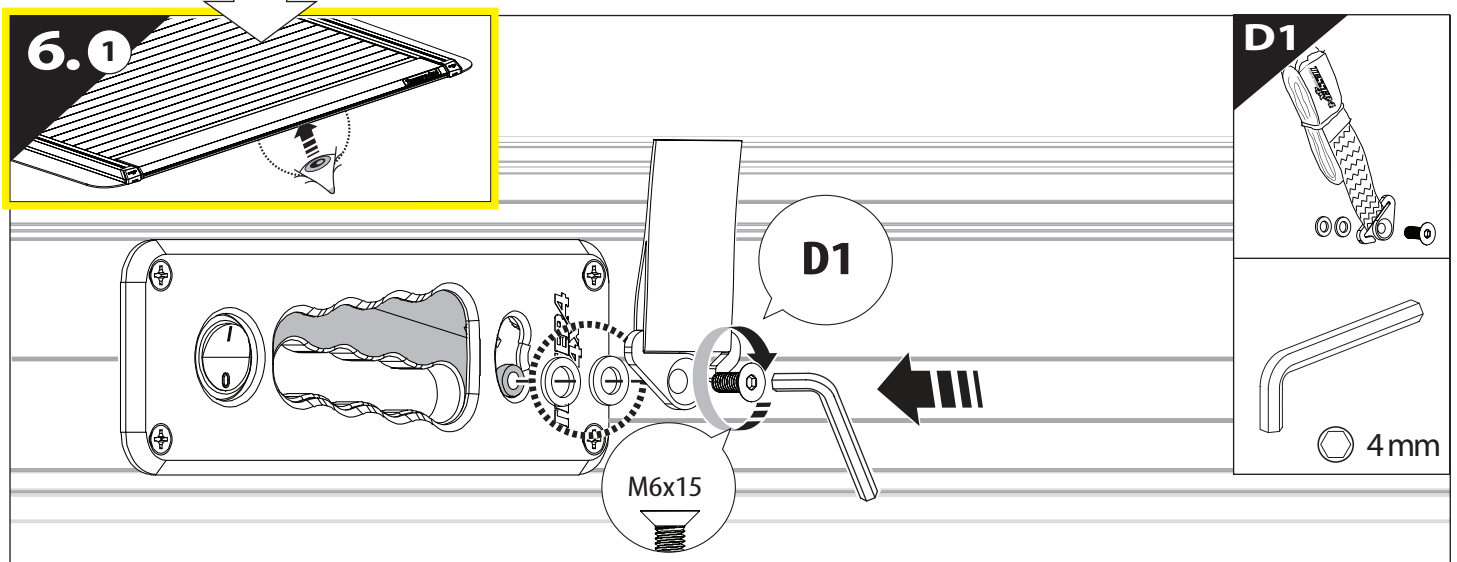
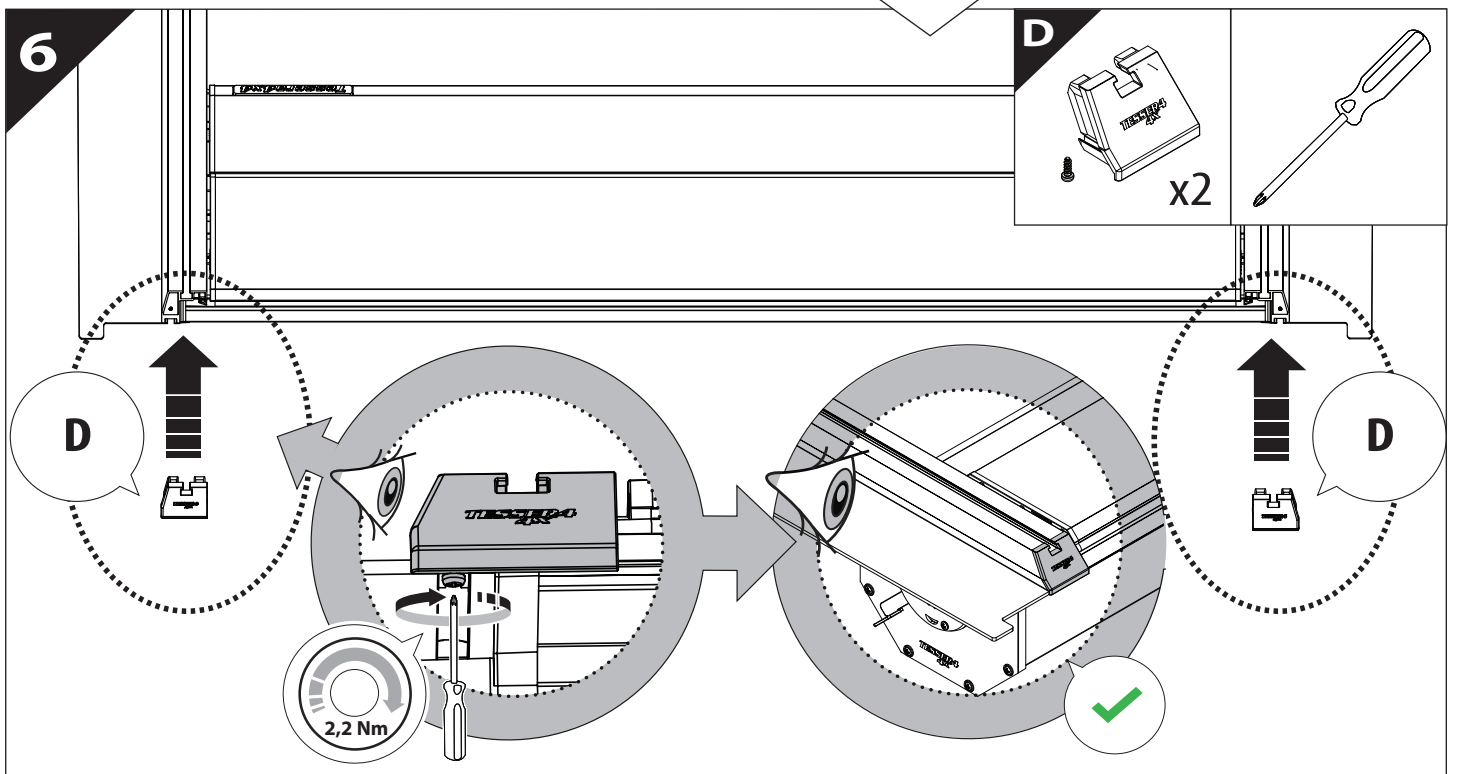
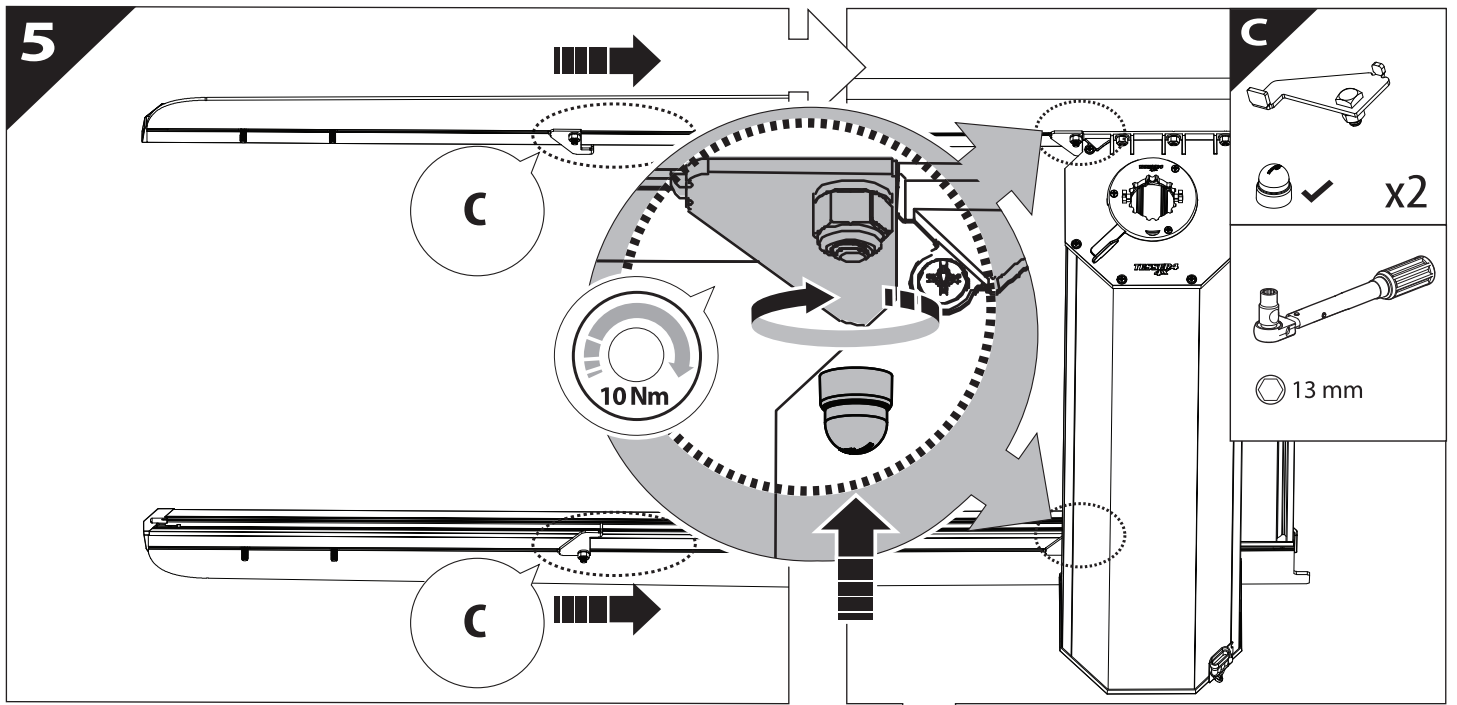


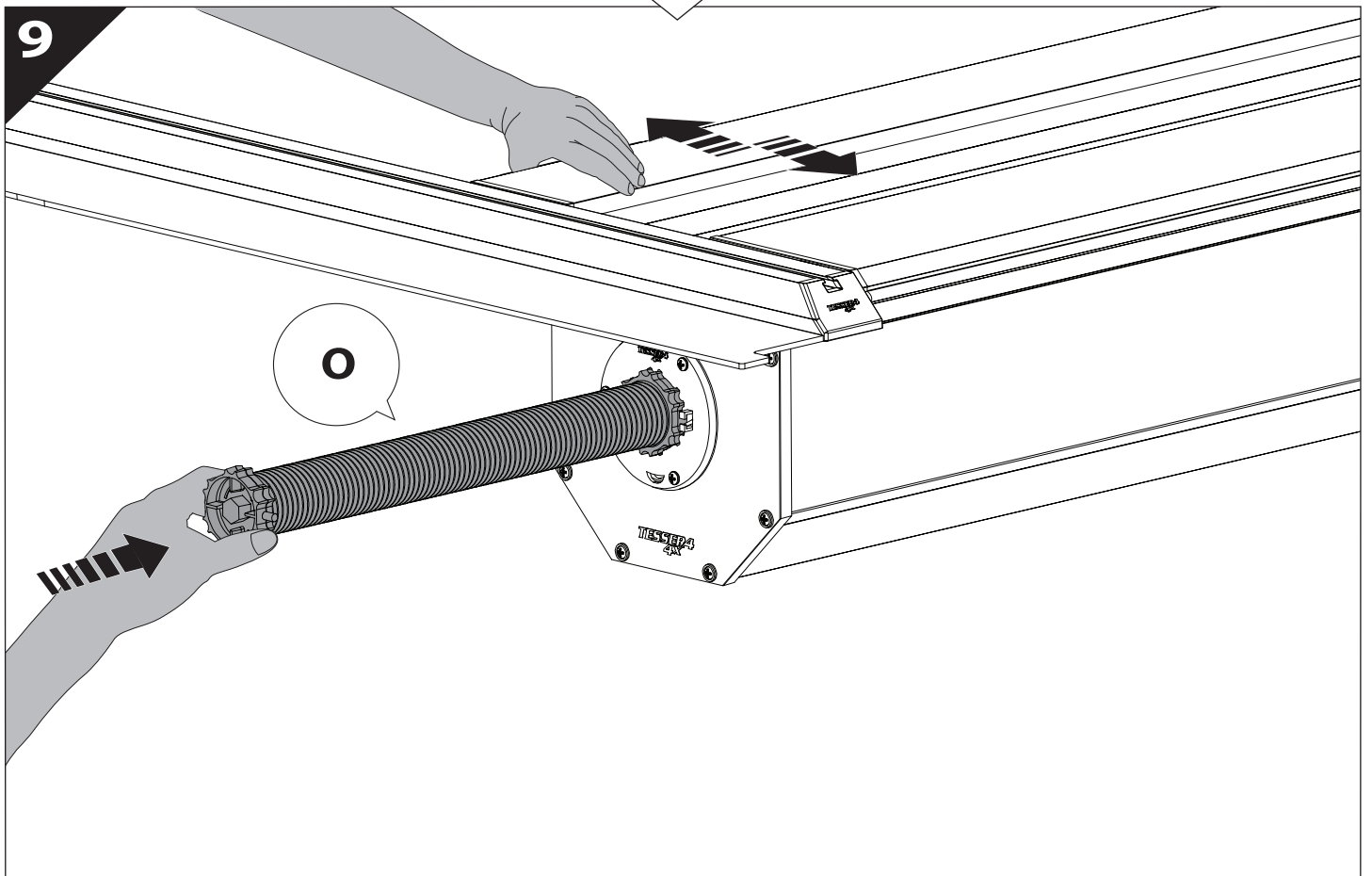
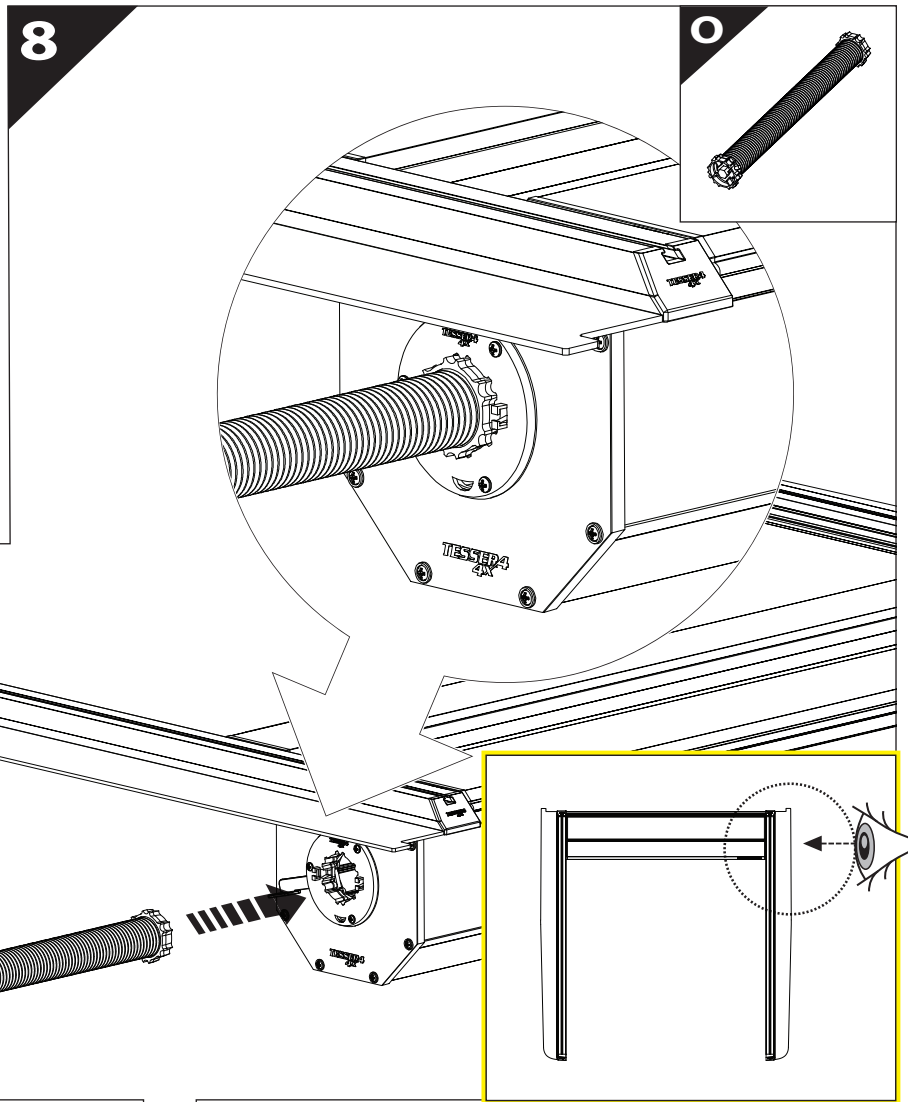
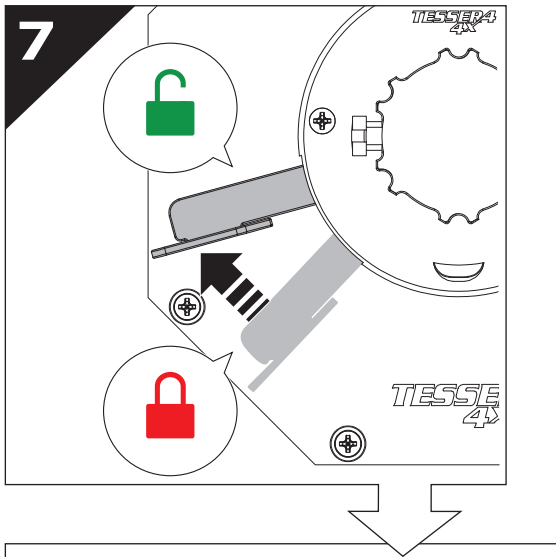
3



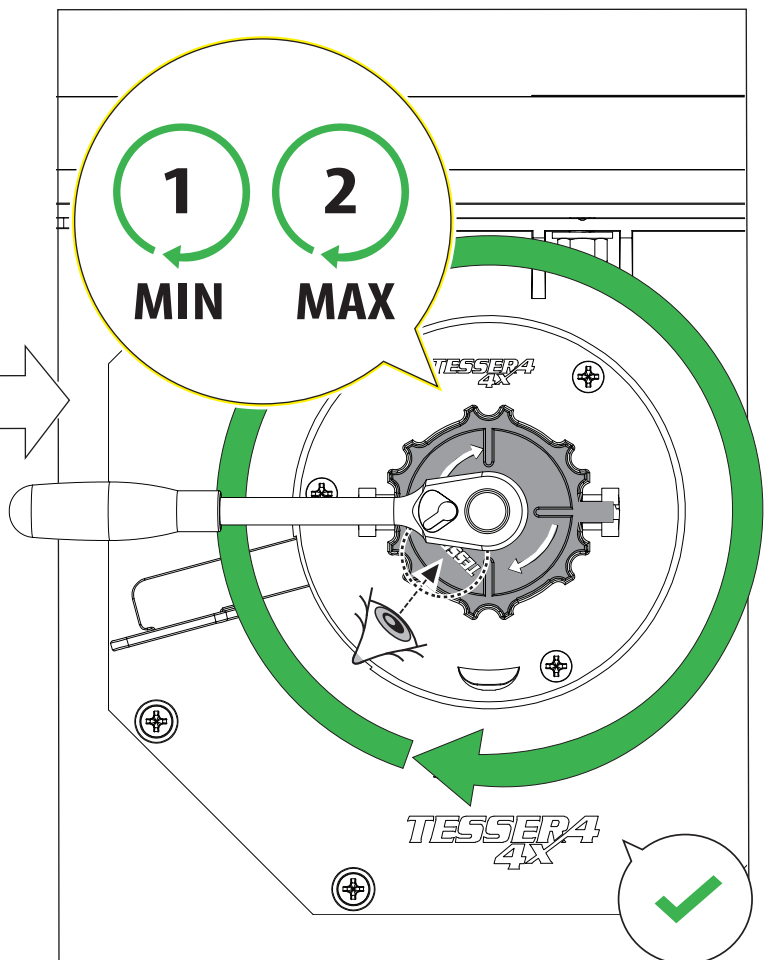
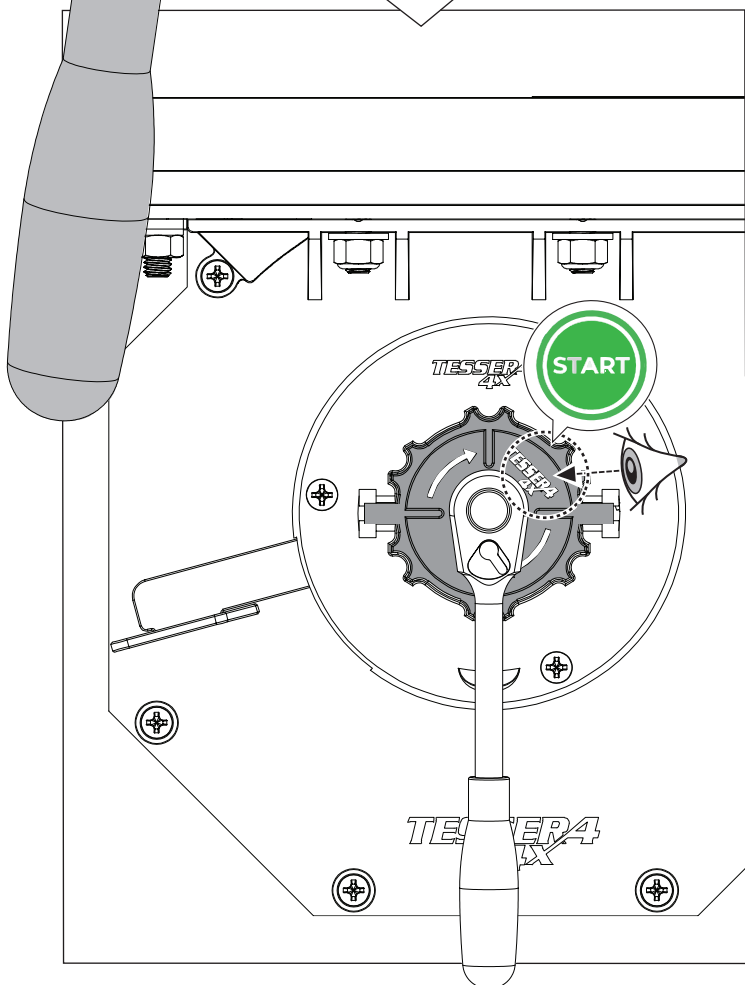
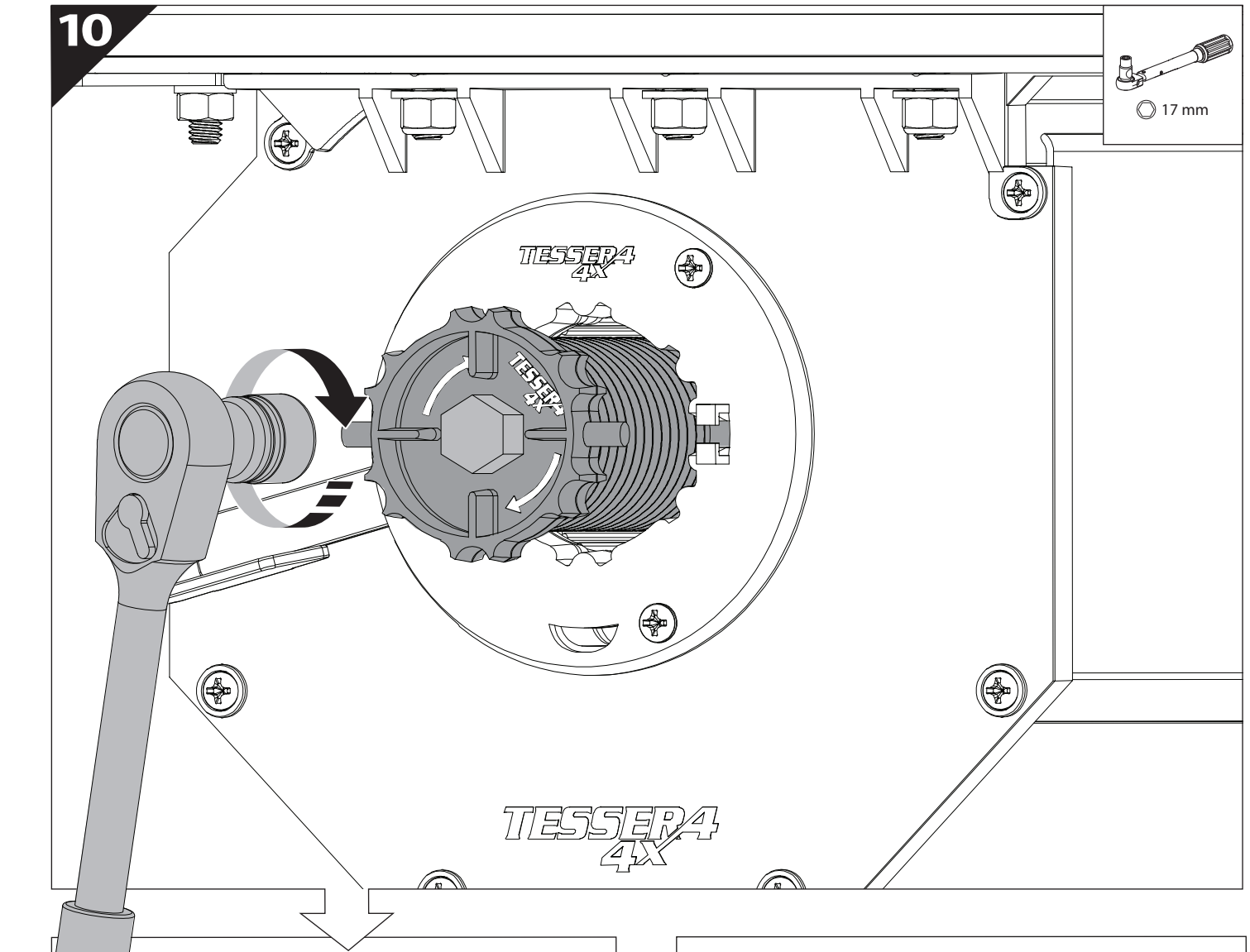
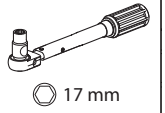
4



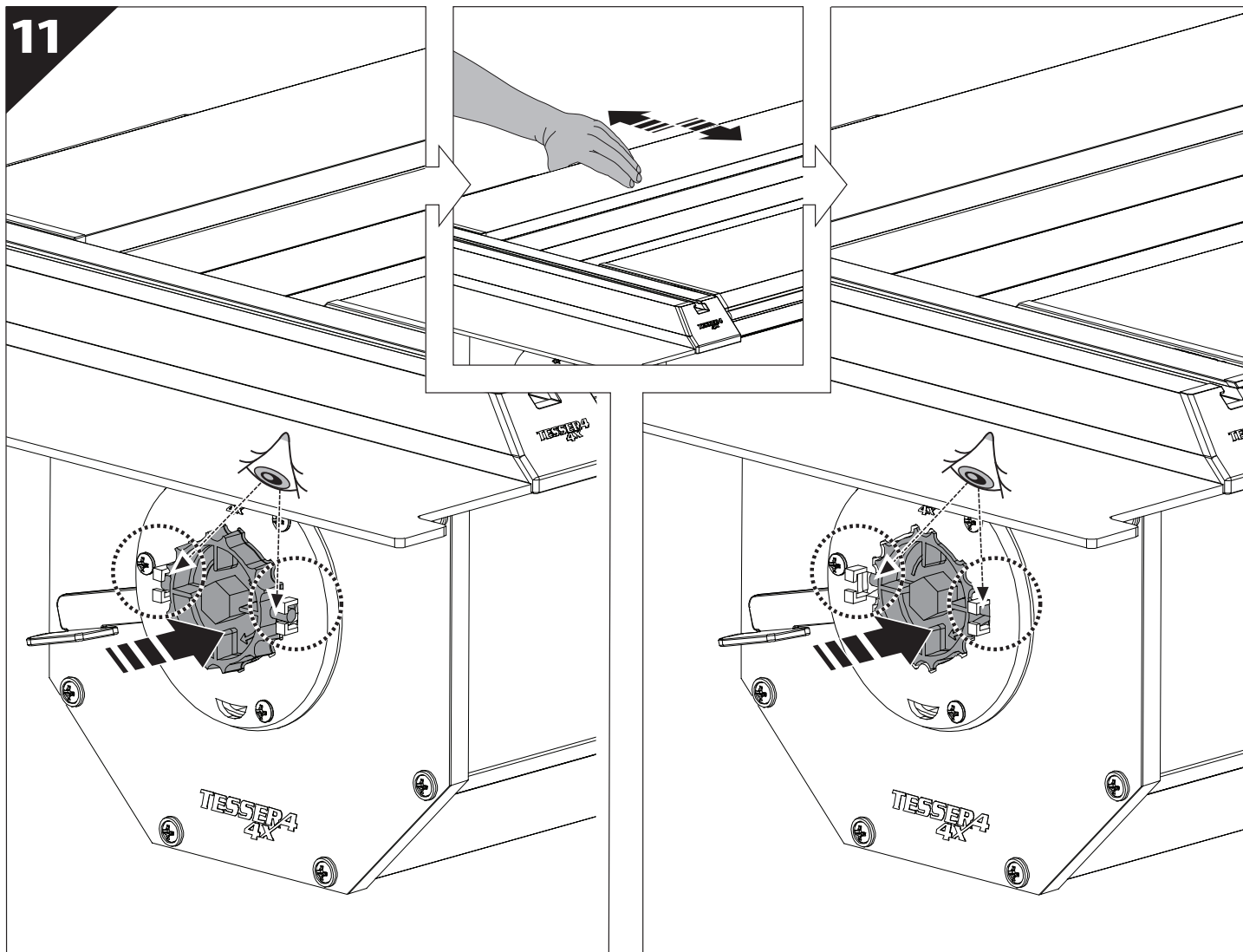




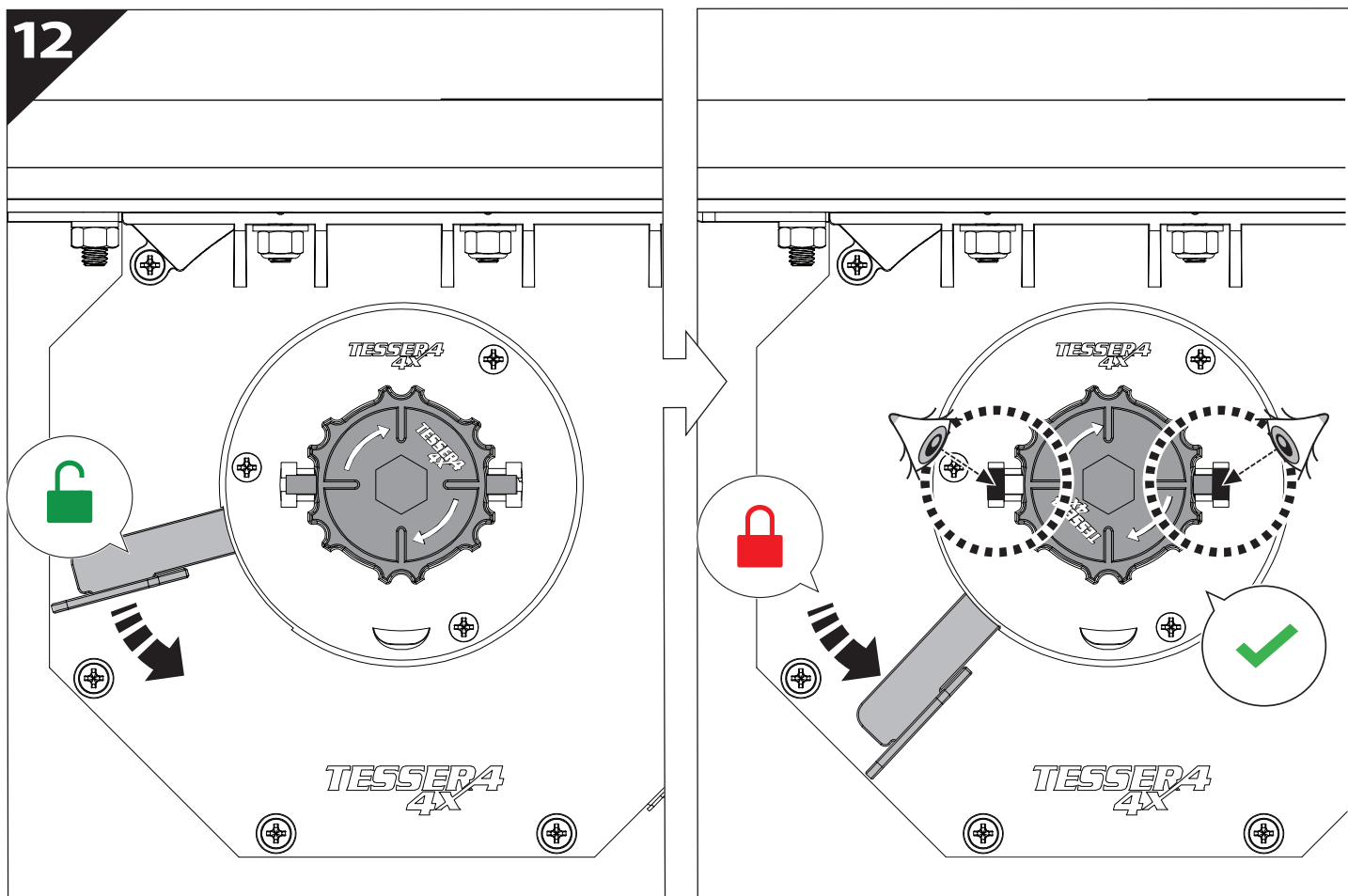
10



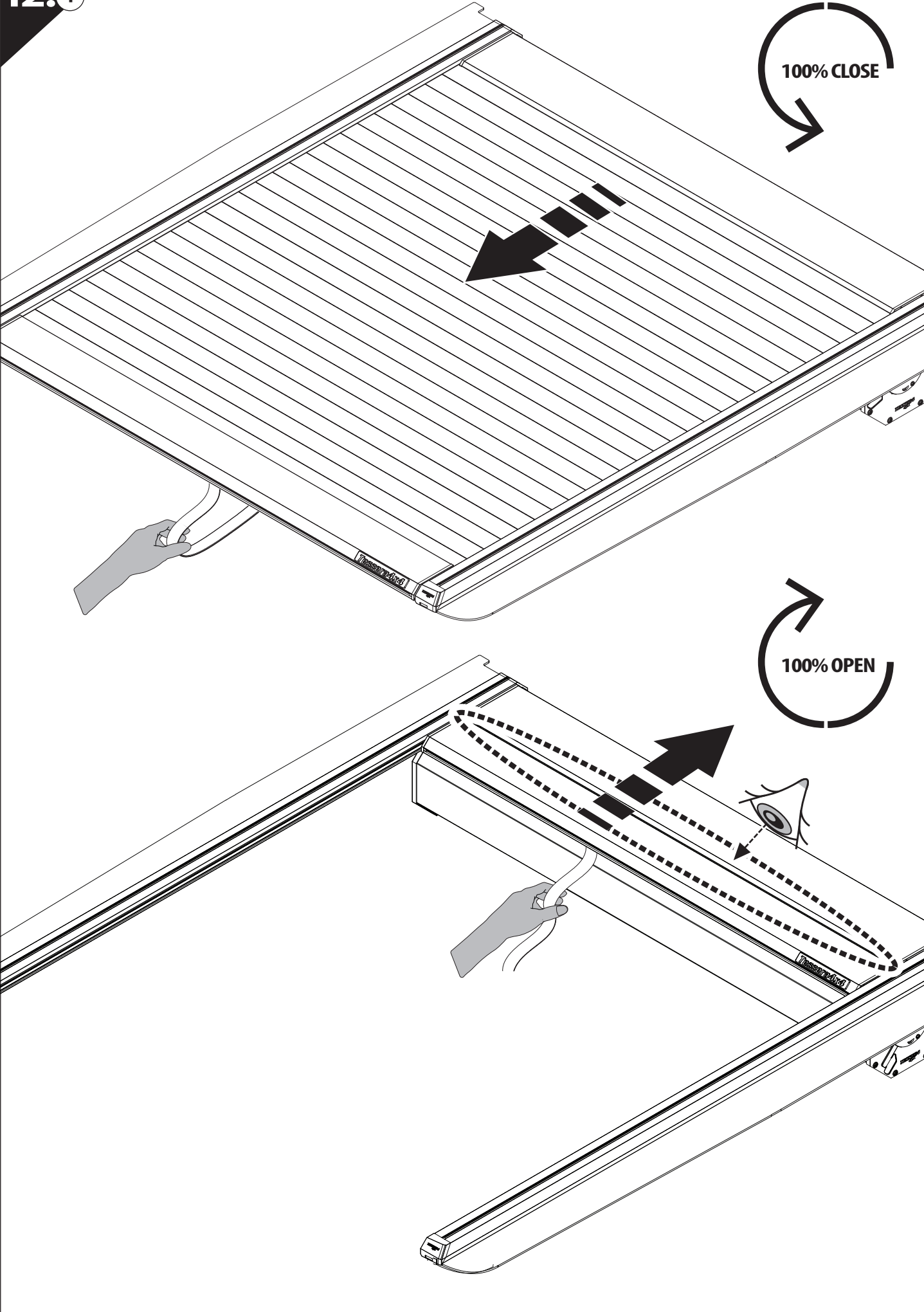
11



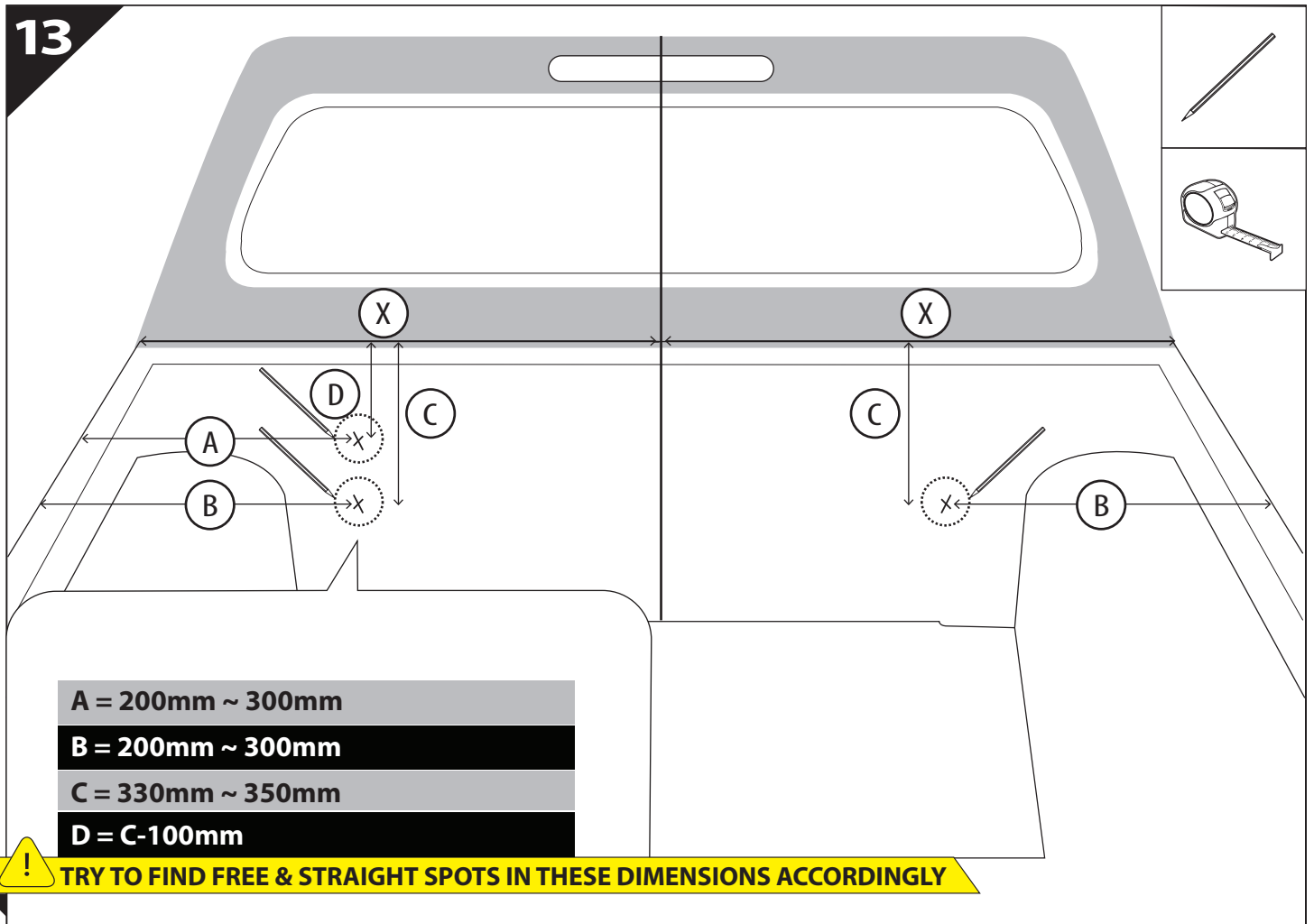
12



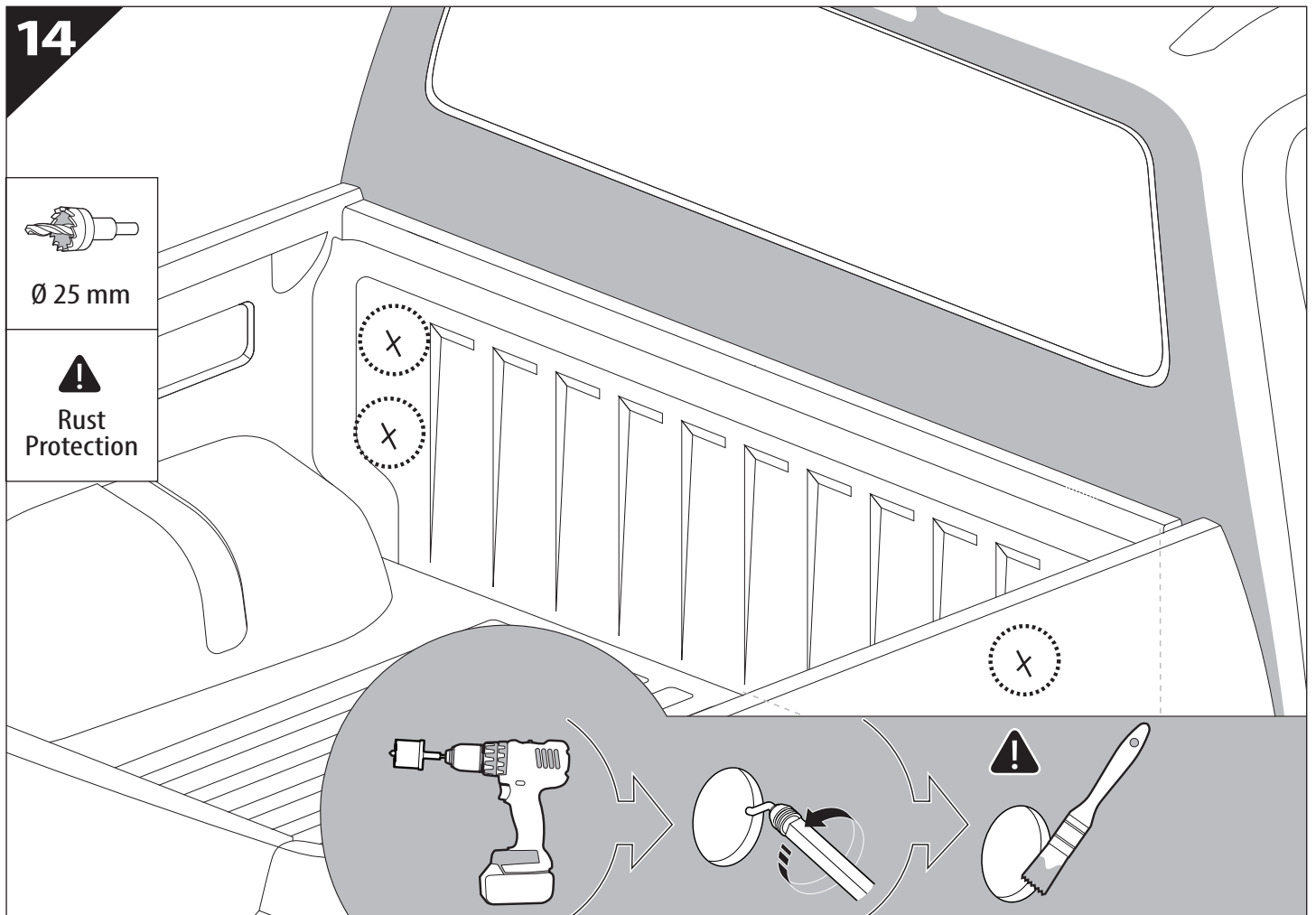
12.0



13

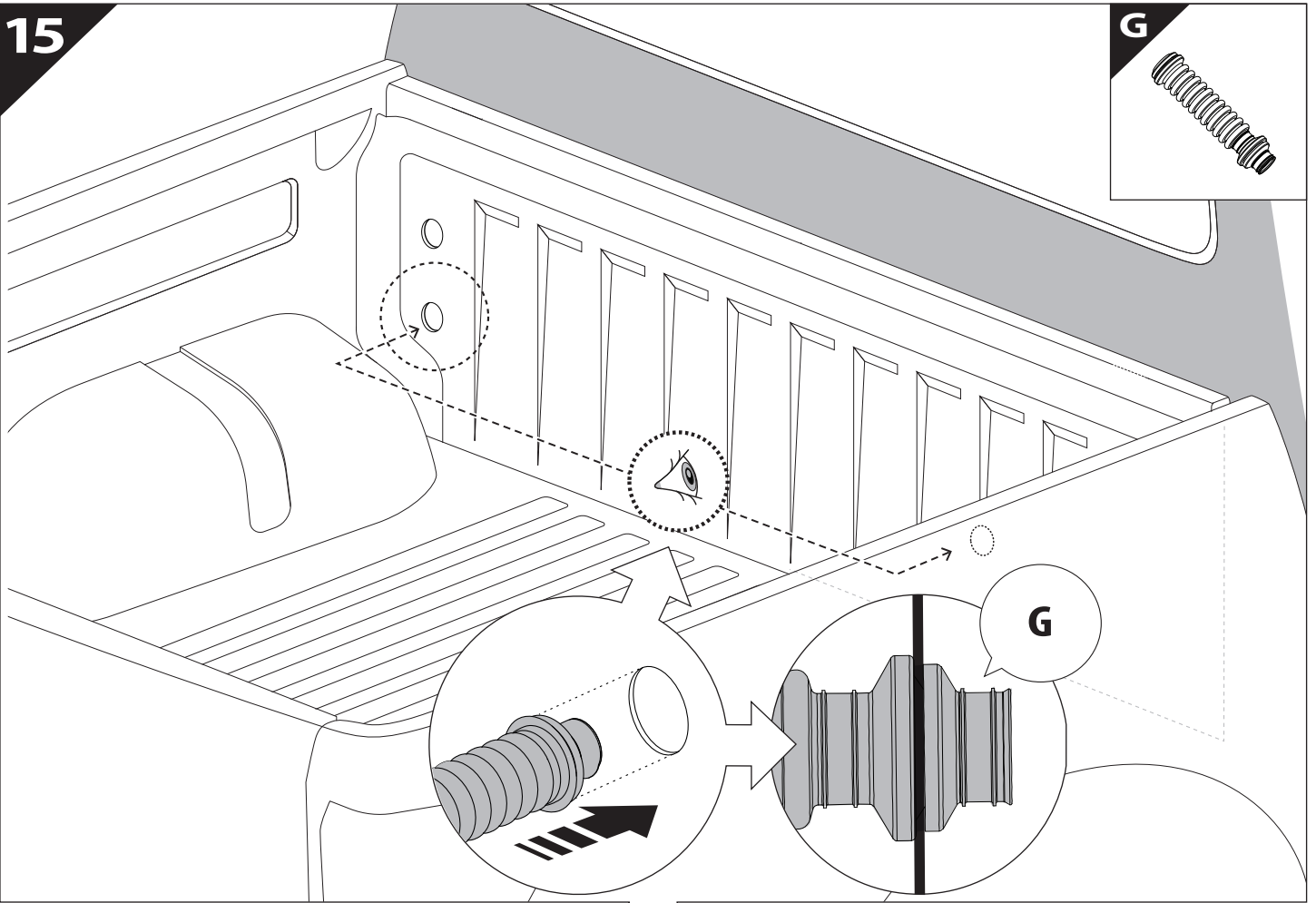


14



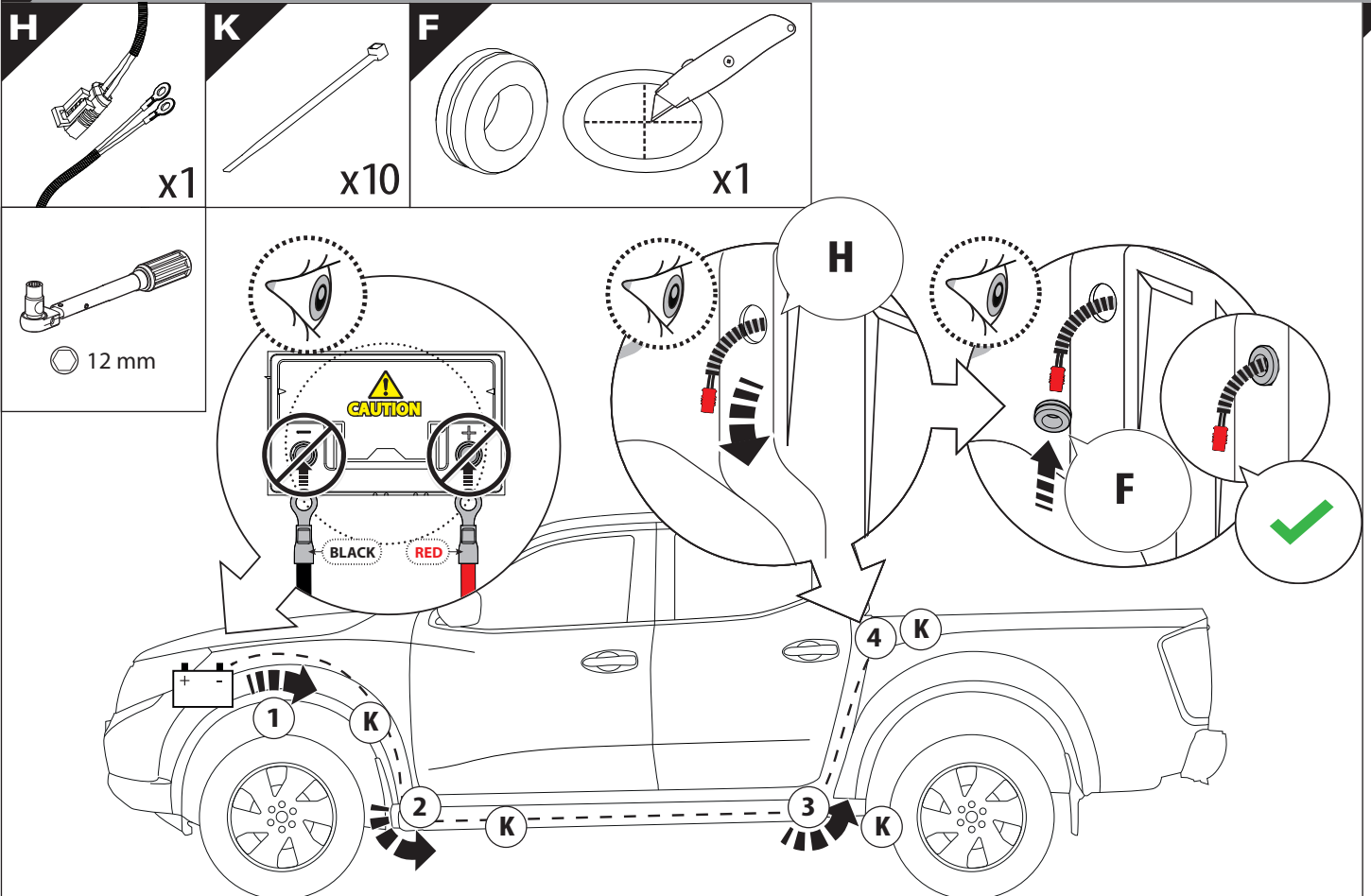
15

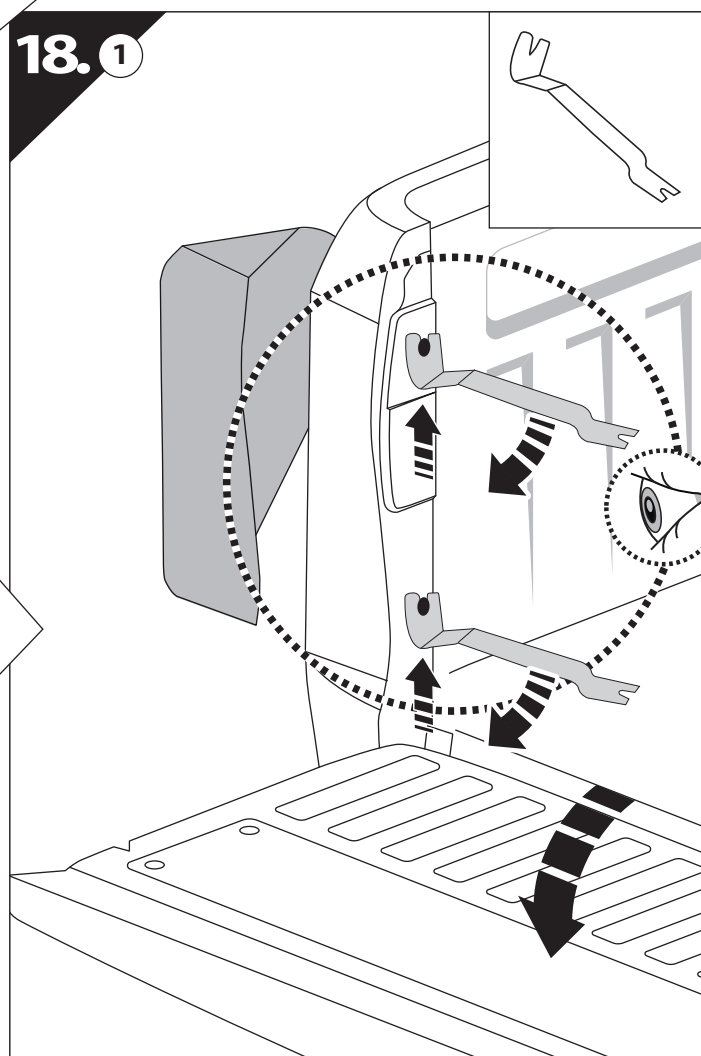
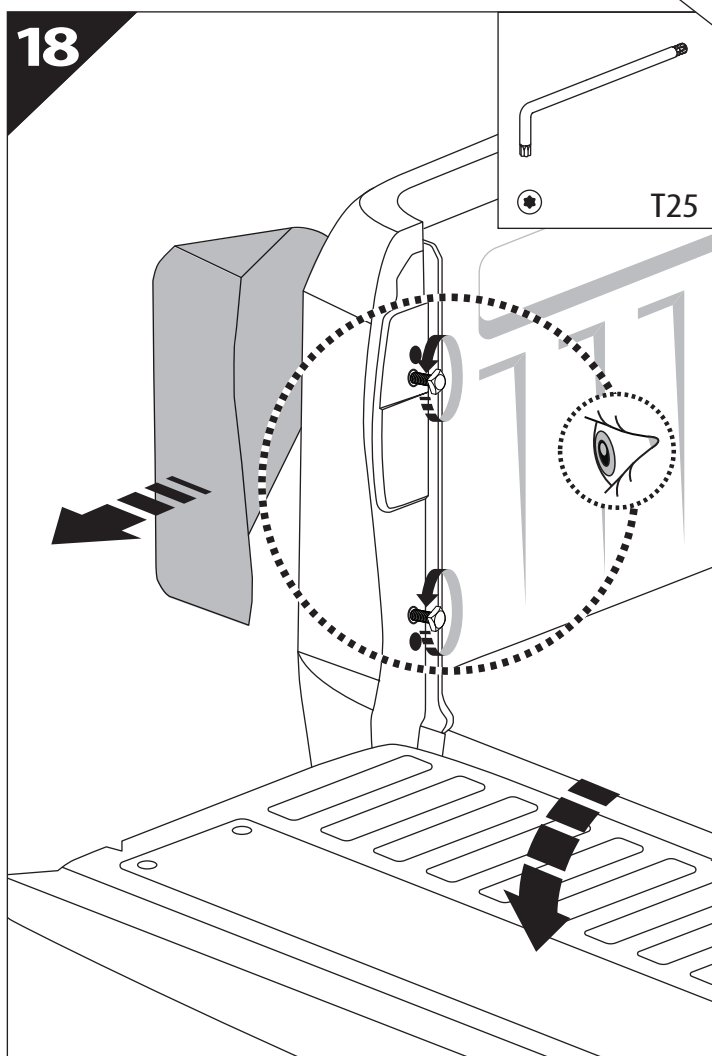
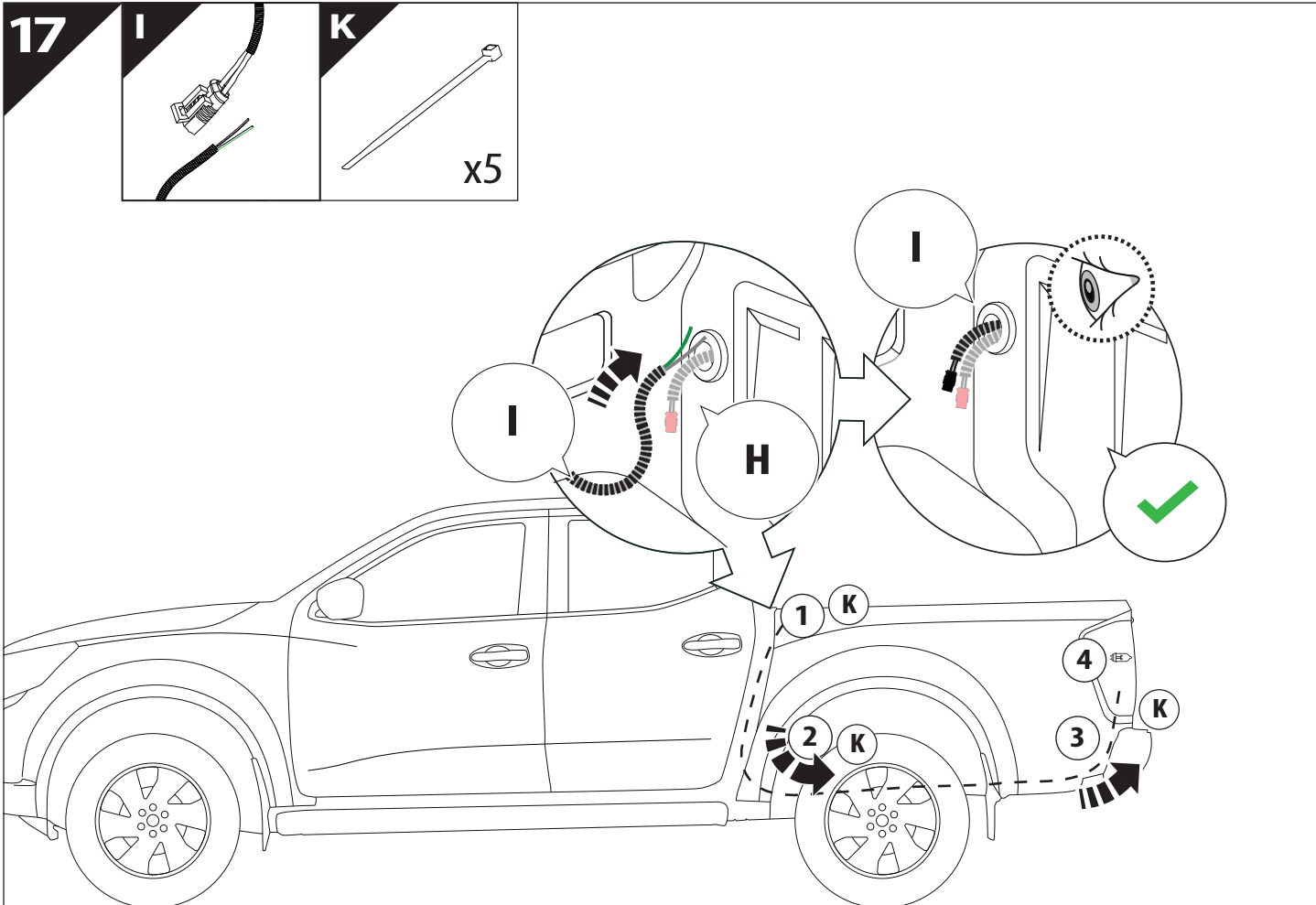
G

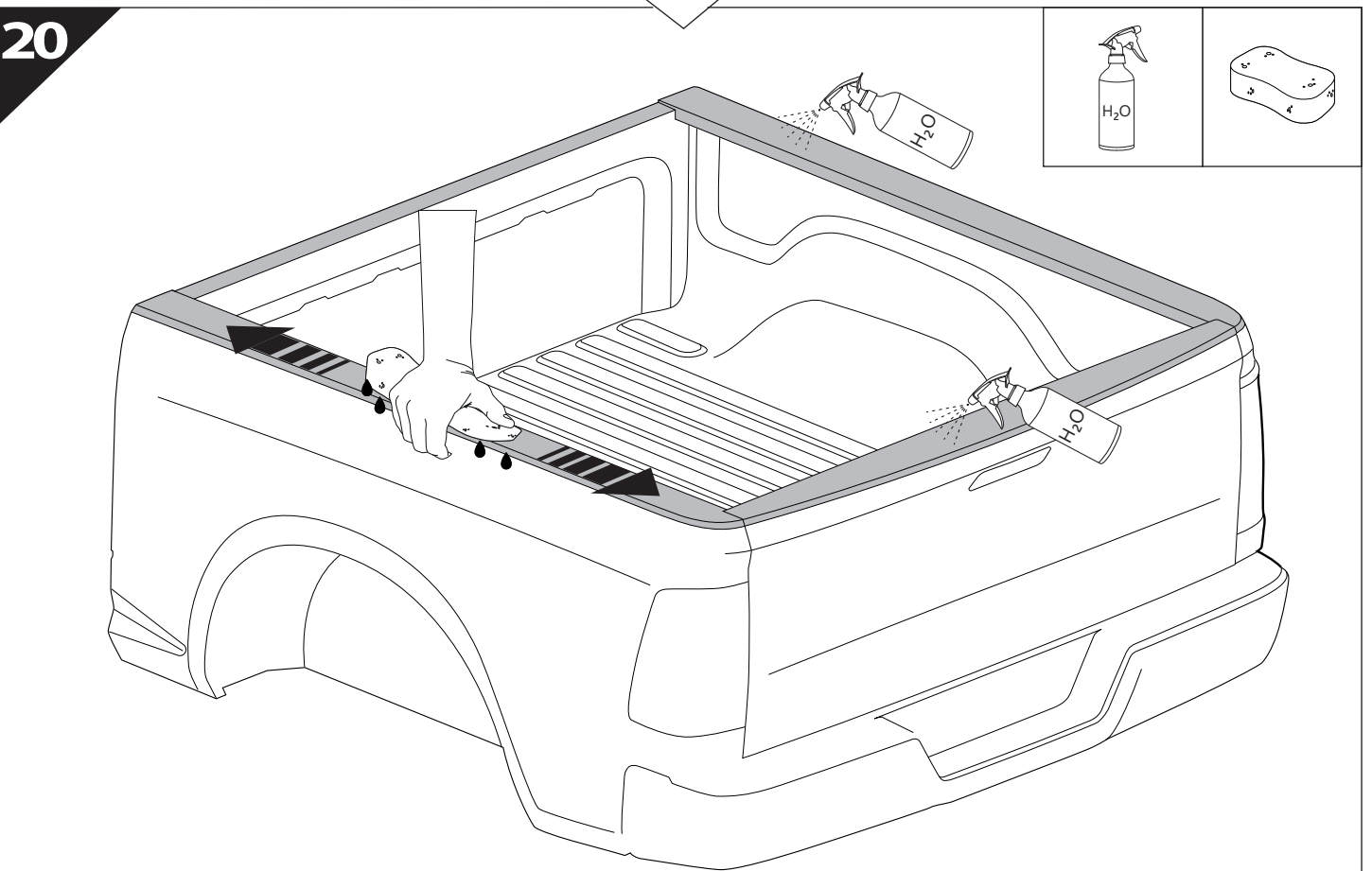
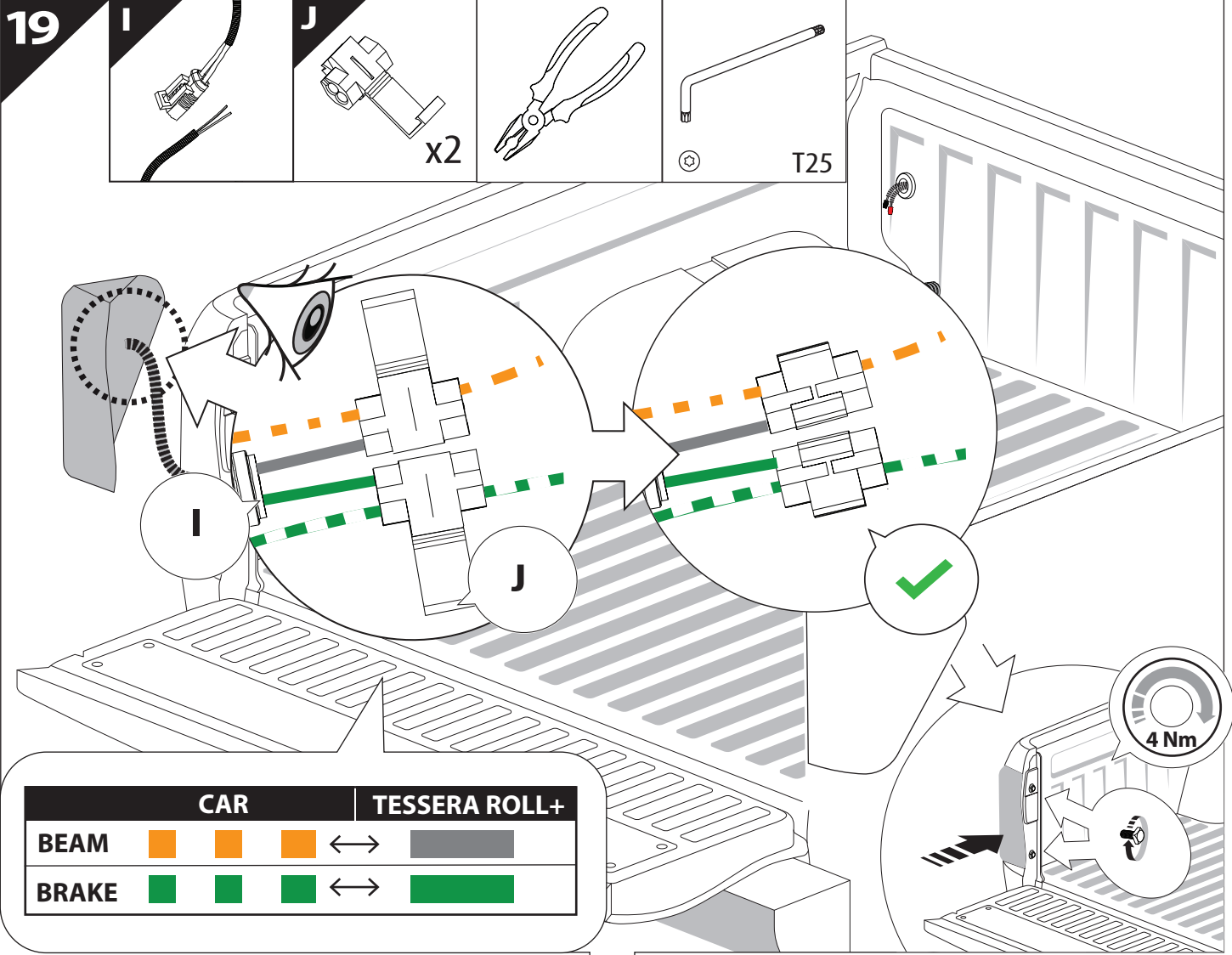


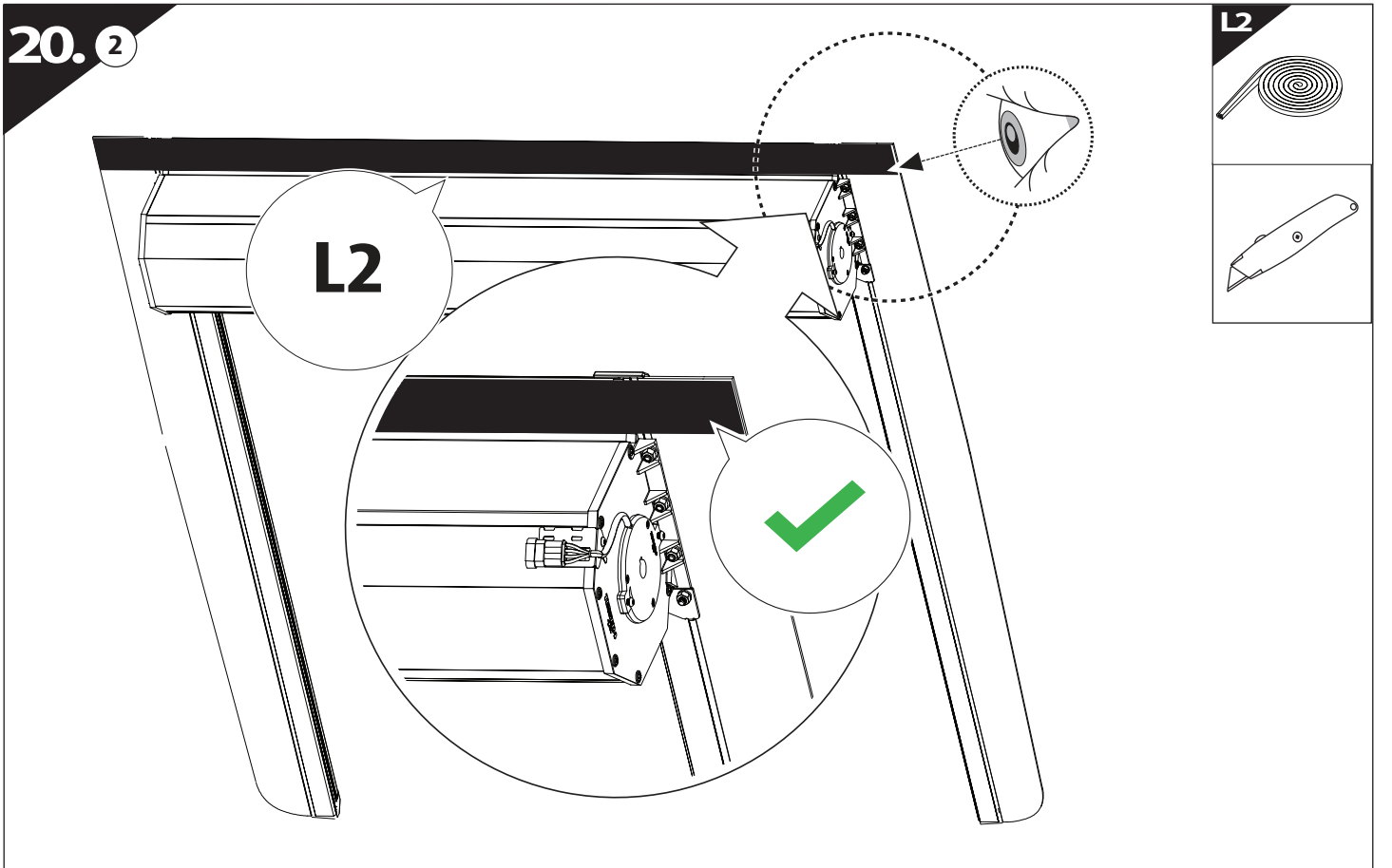
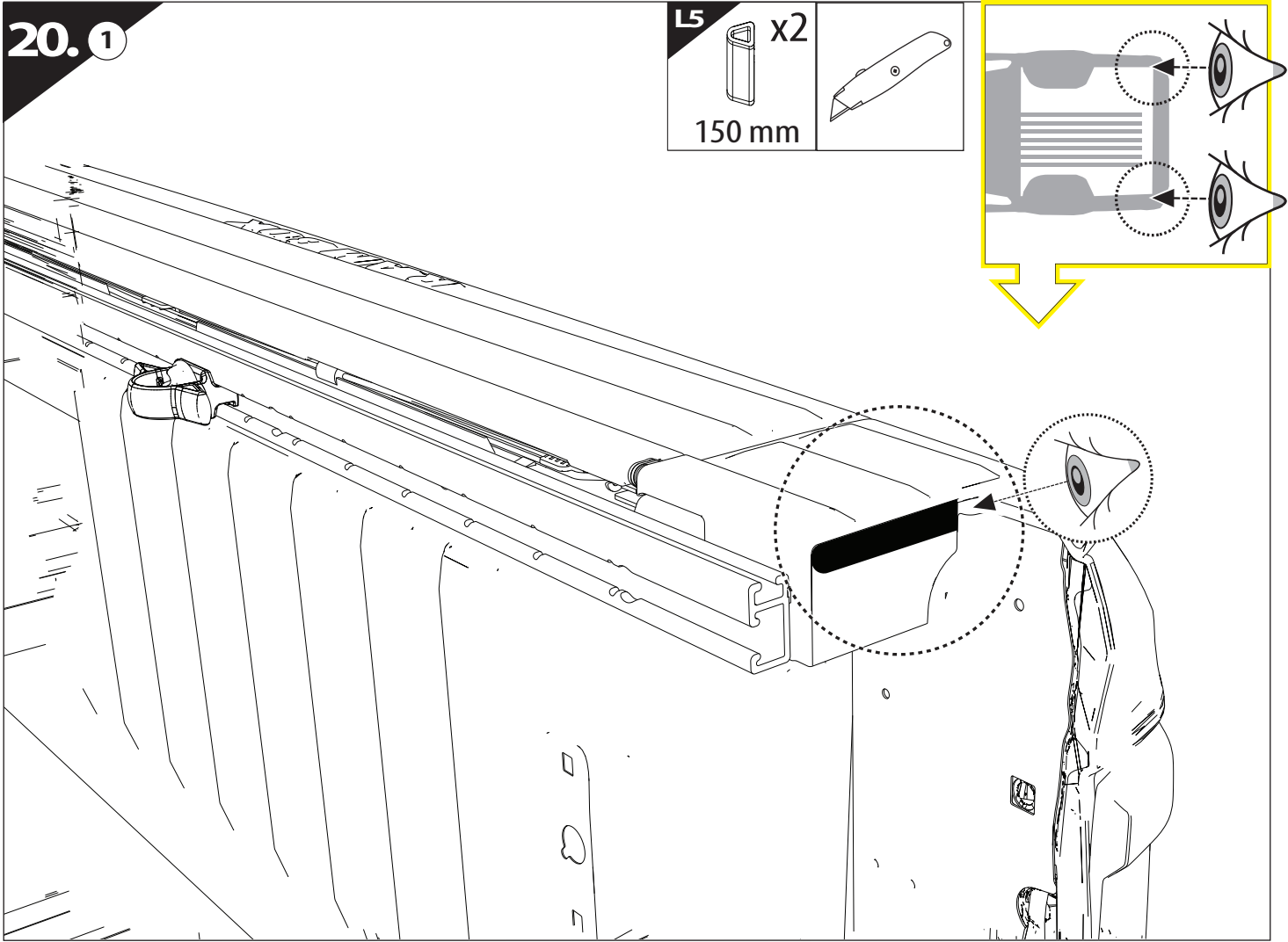
16

Only to be installed by authorized personnel



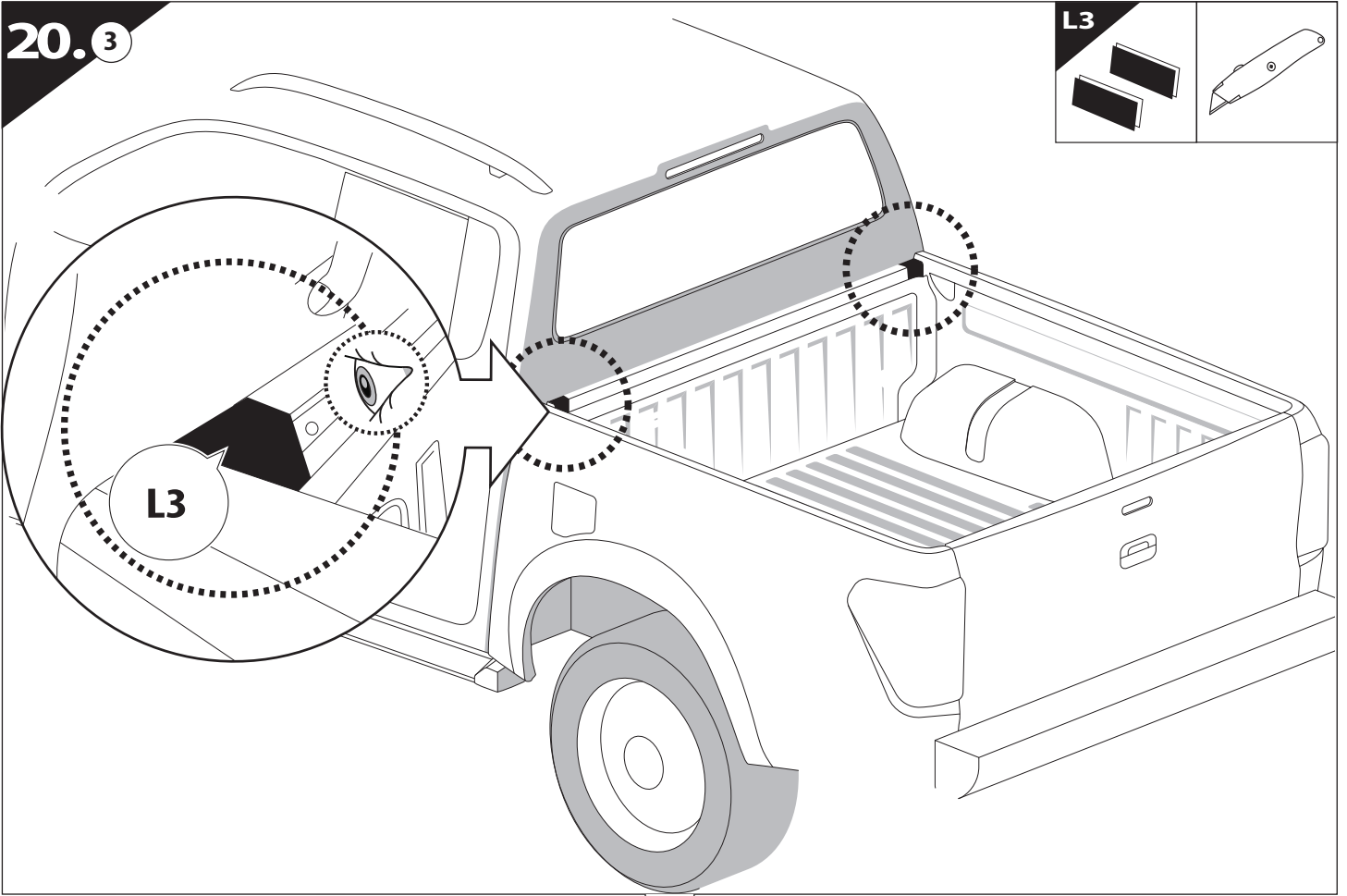






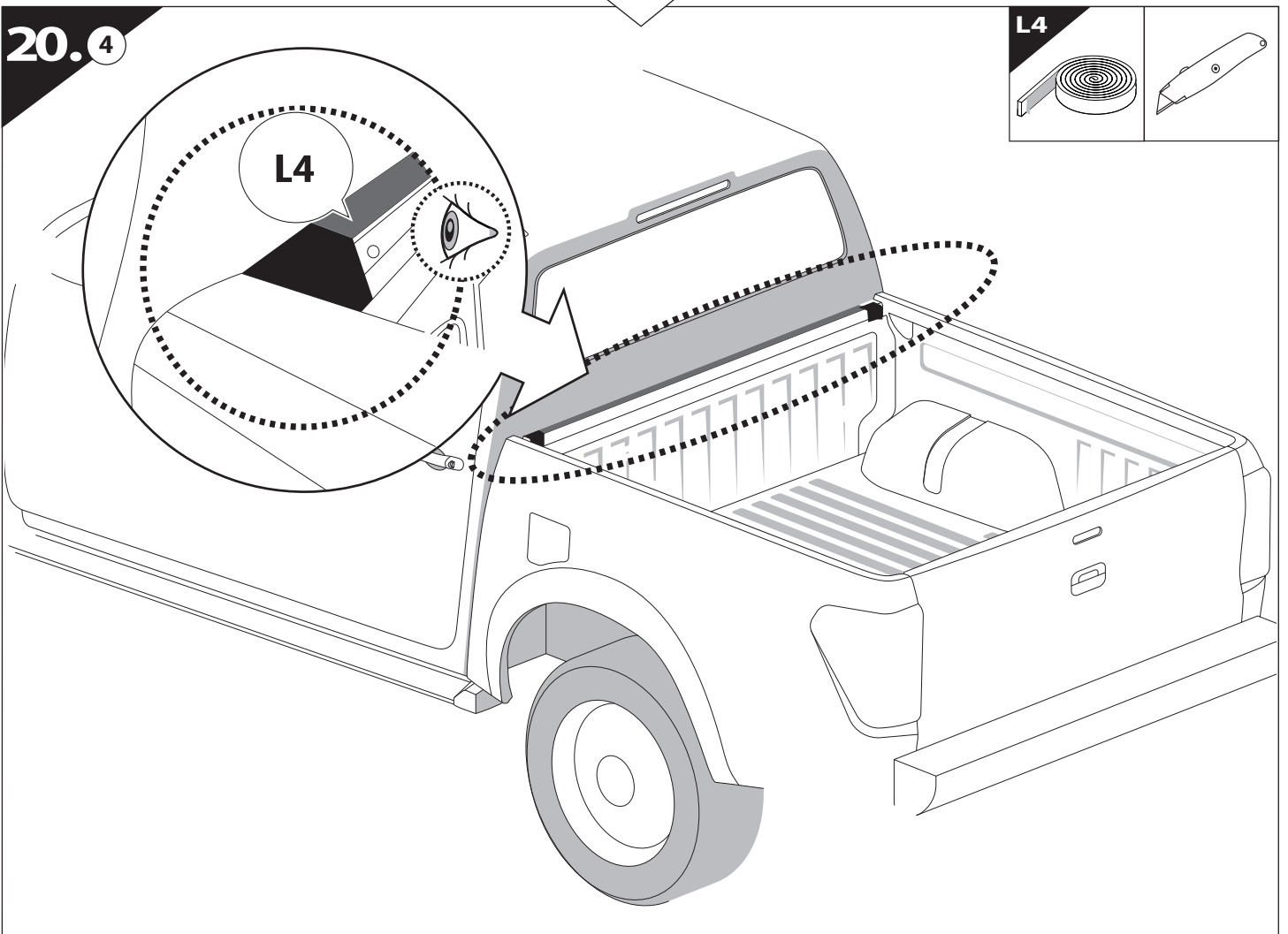
20.3

L3



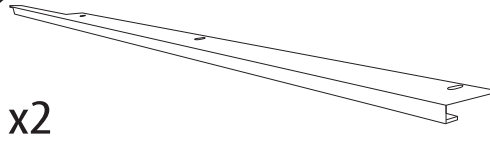
20.4

L4

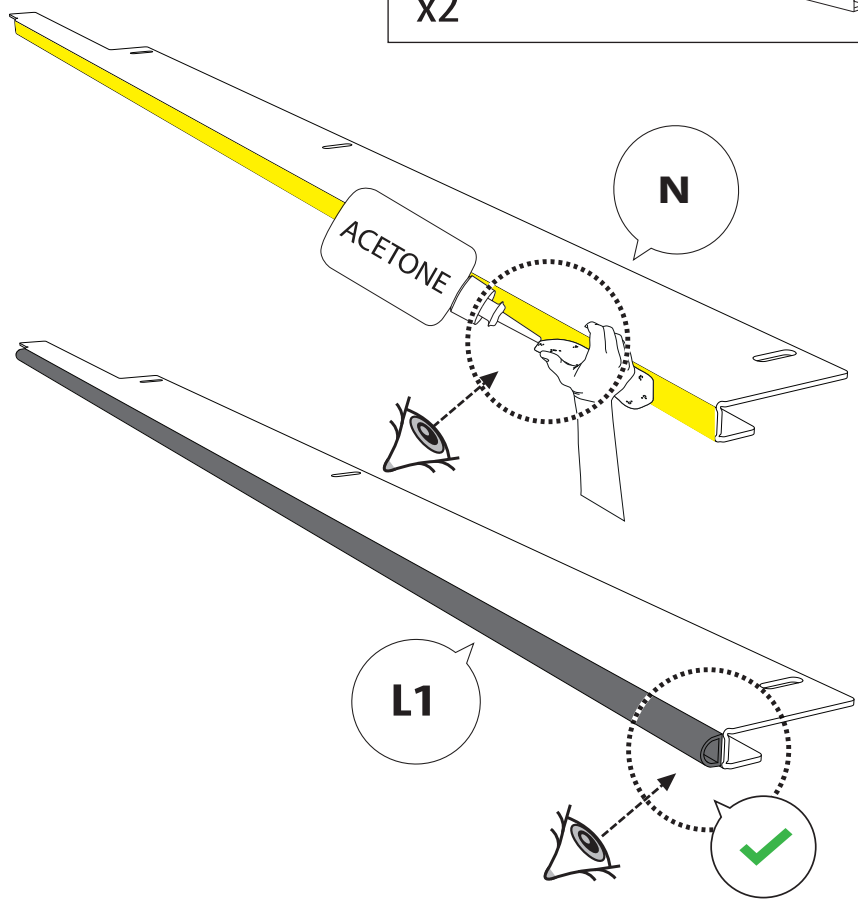


21

N

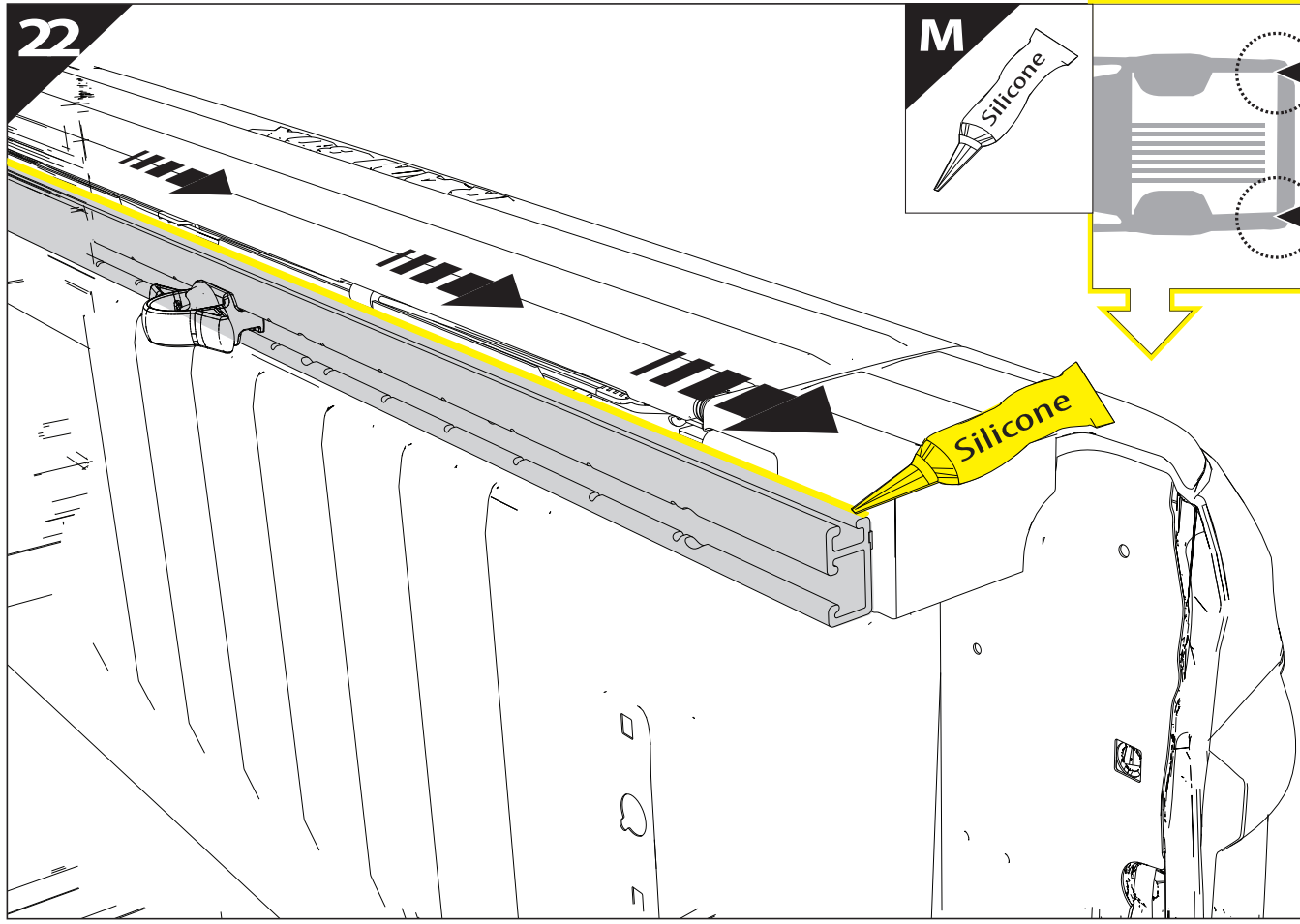
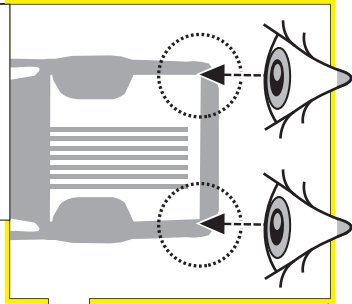


L1



22

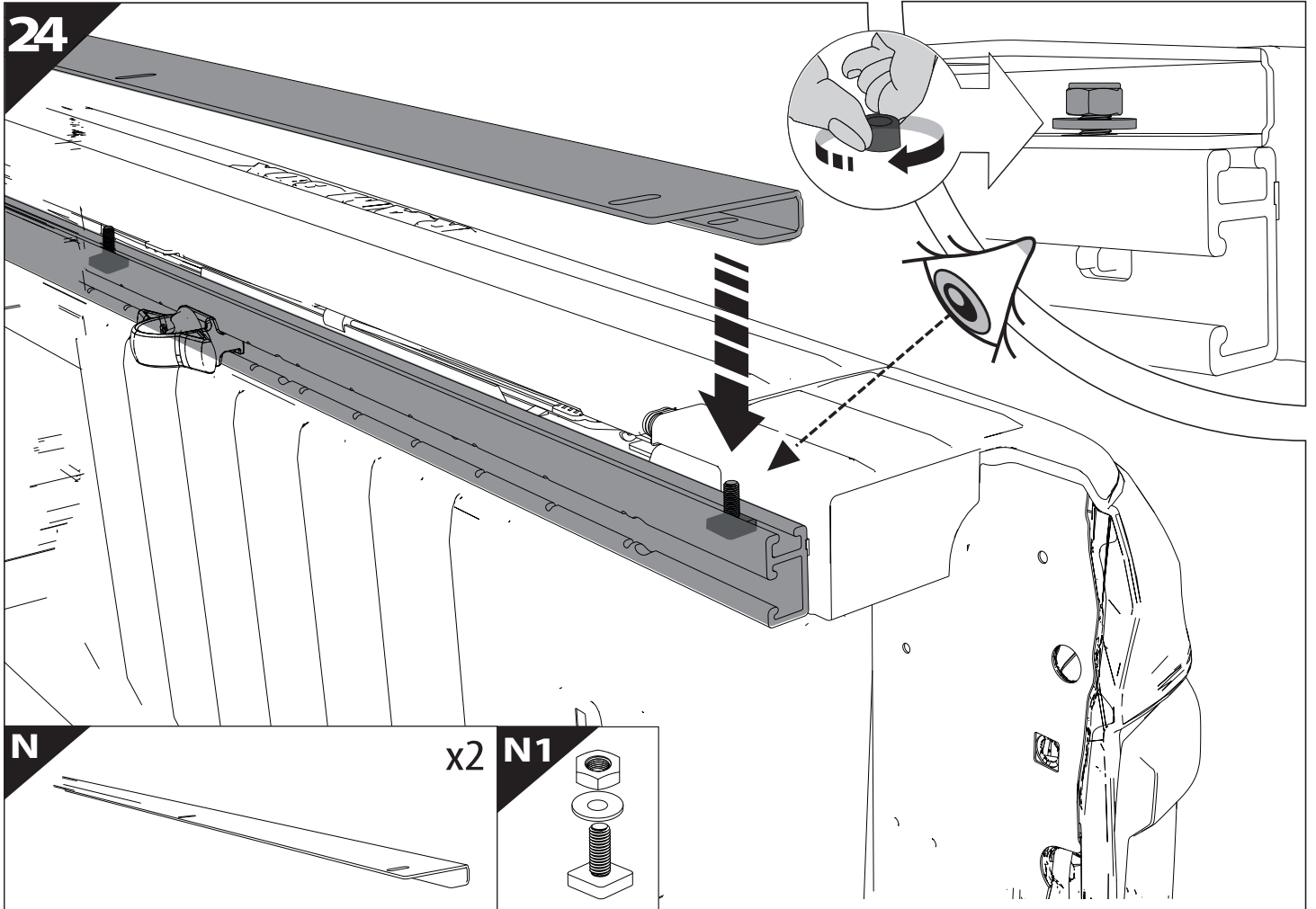
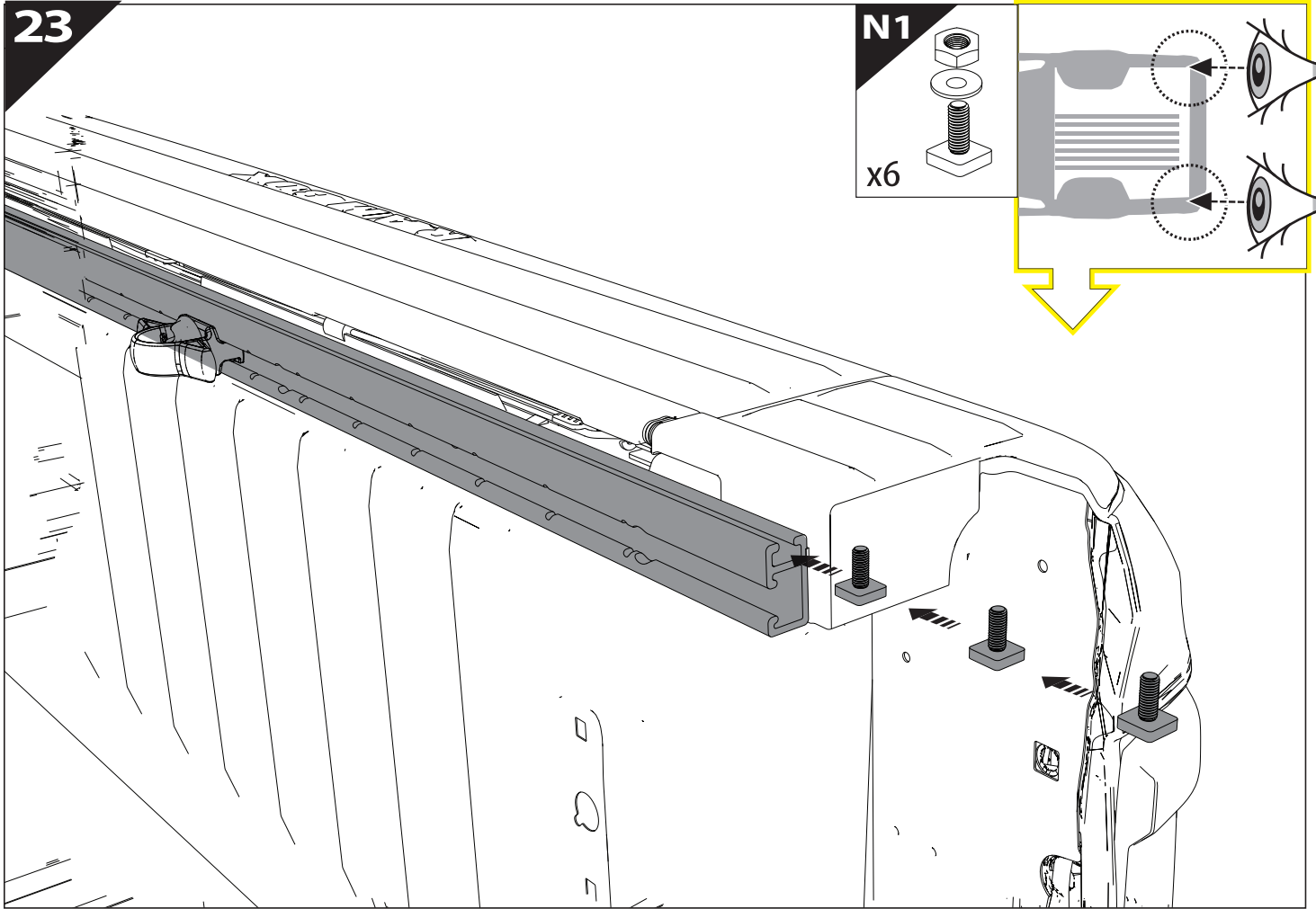
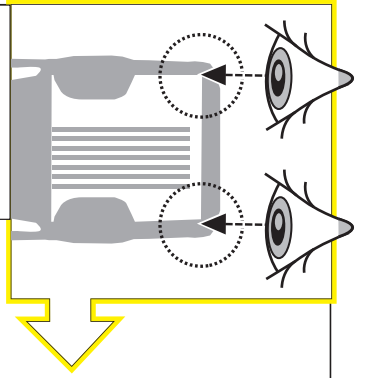
M



23

N1

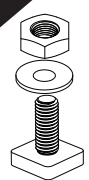
x6

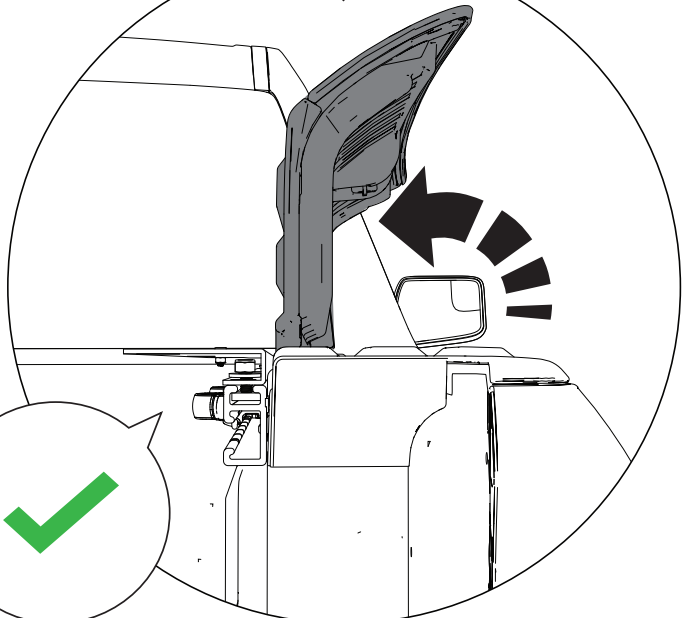
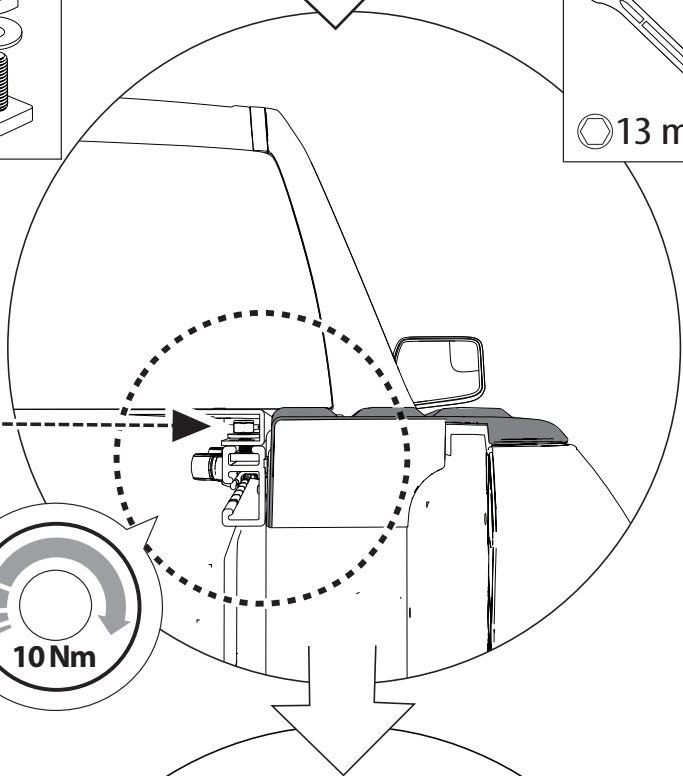
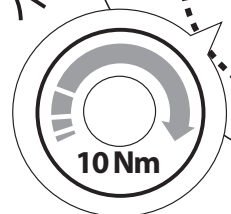
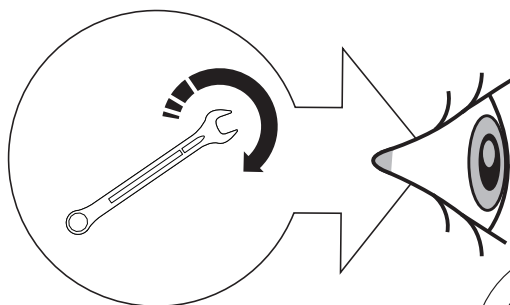
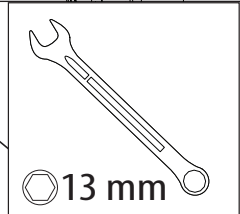
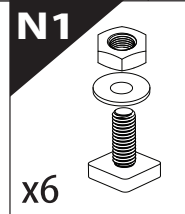
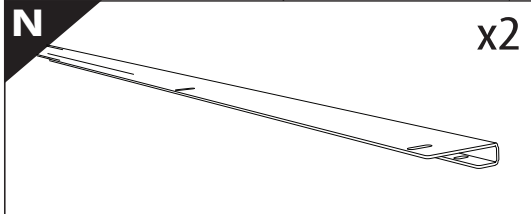
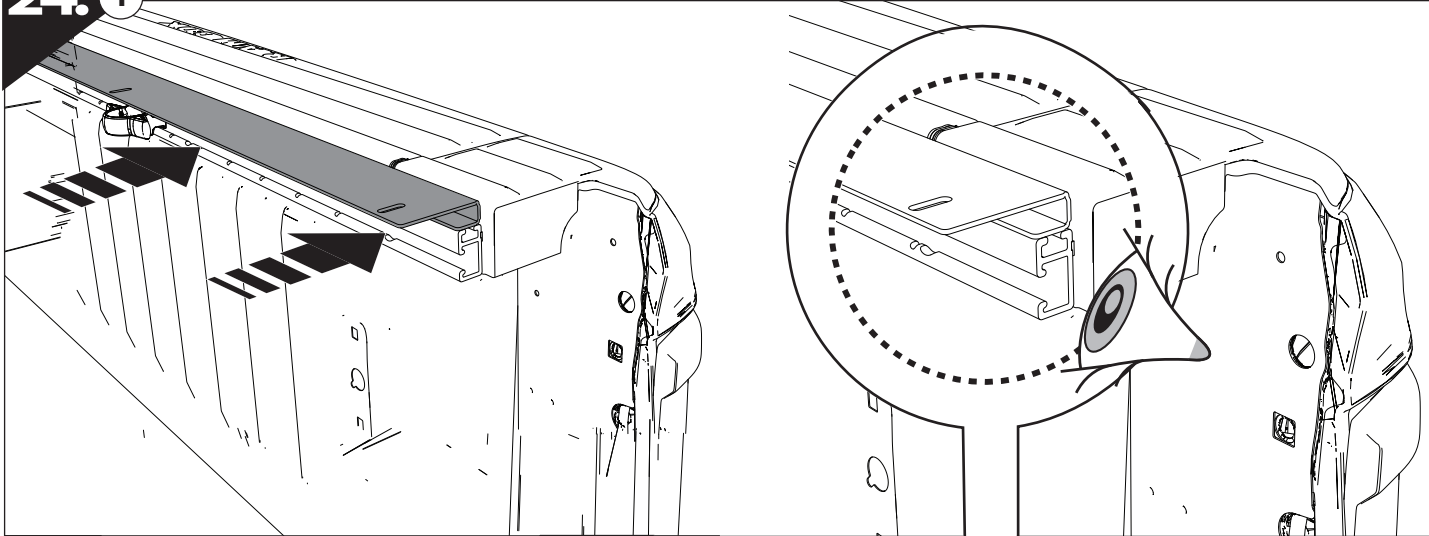


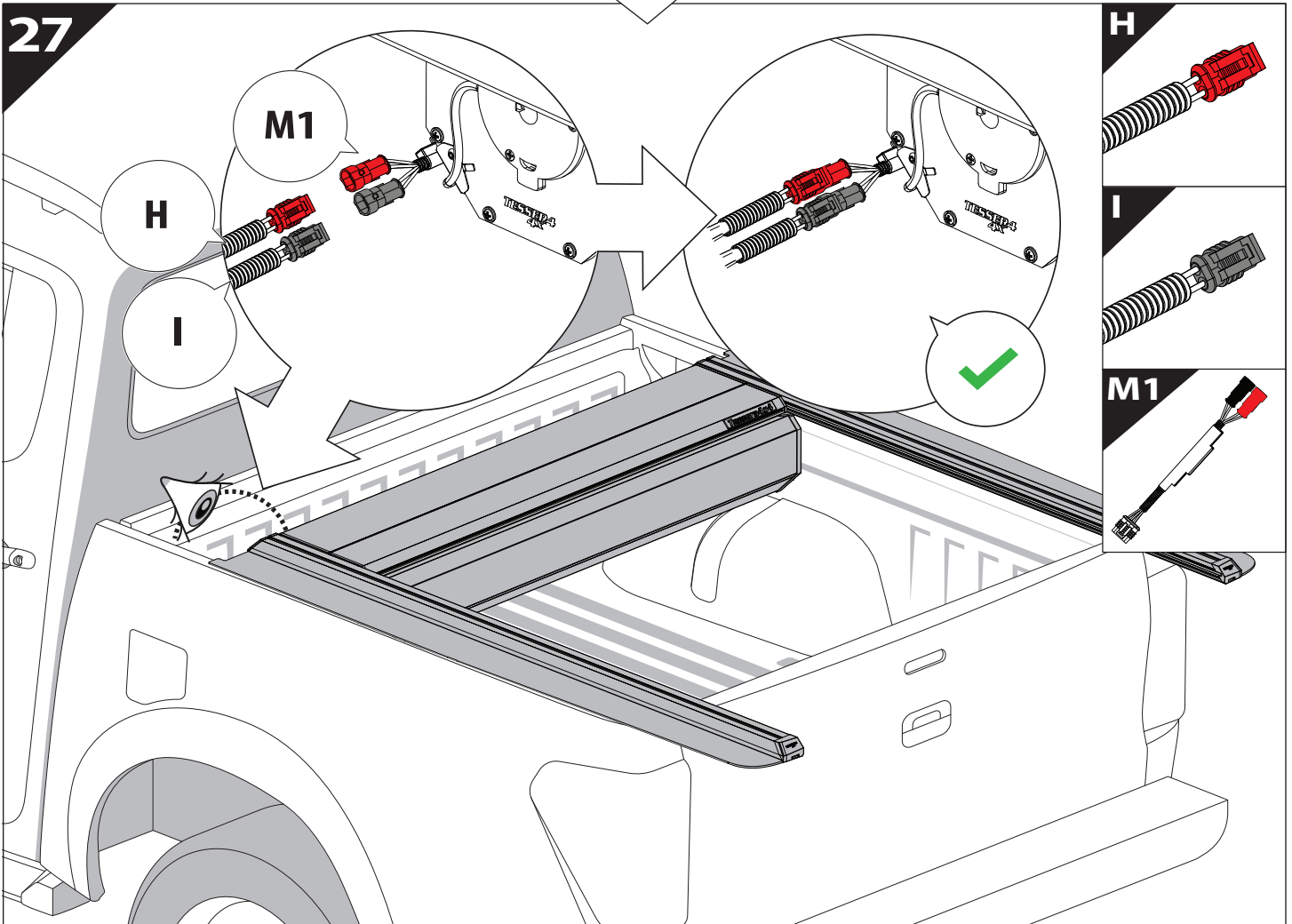
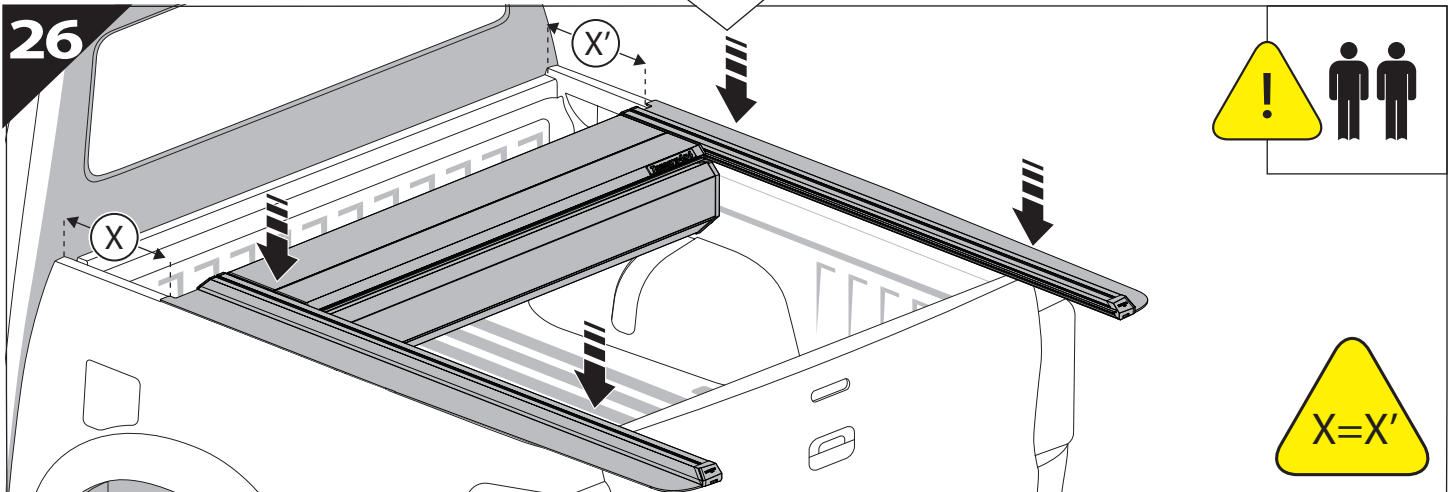
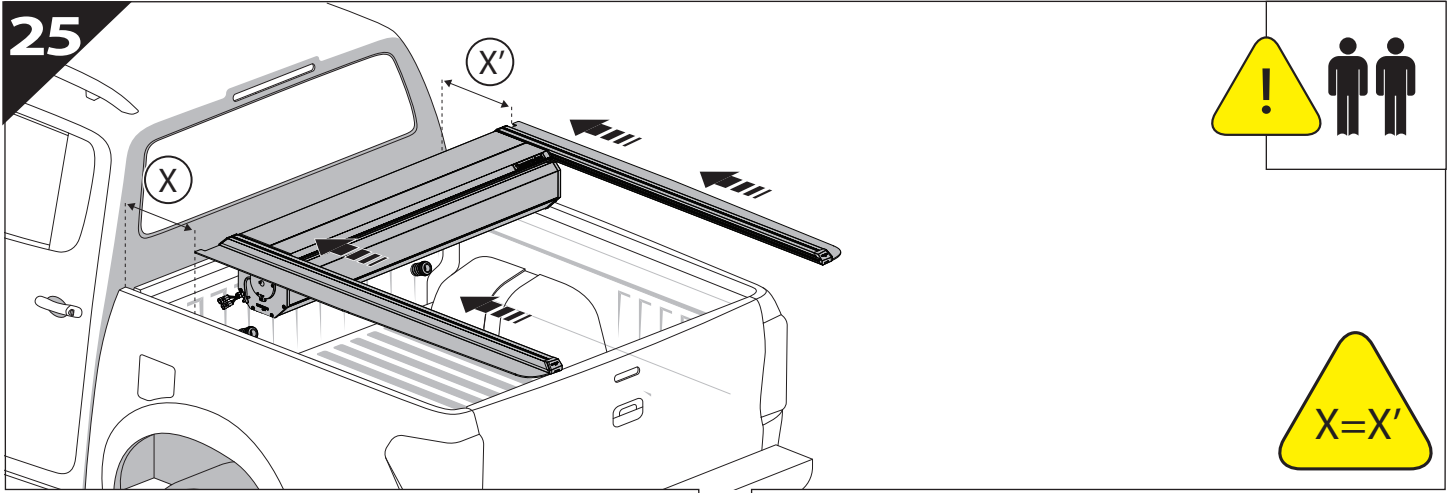
N

x2

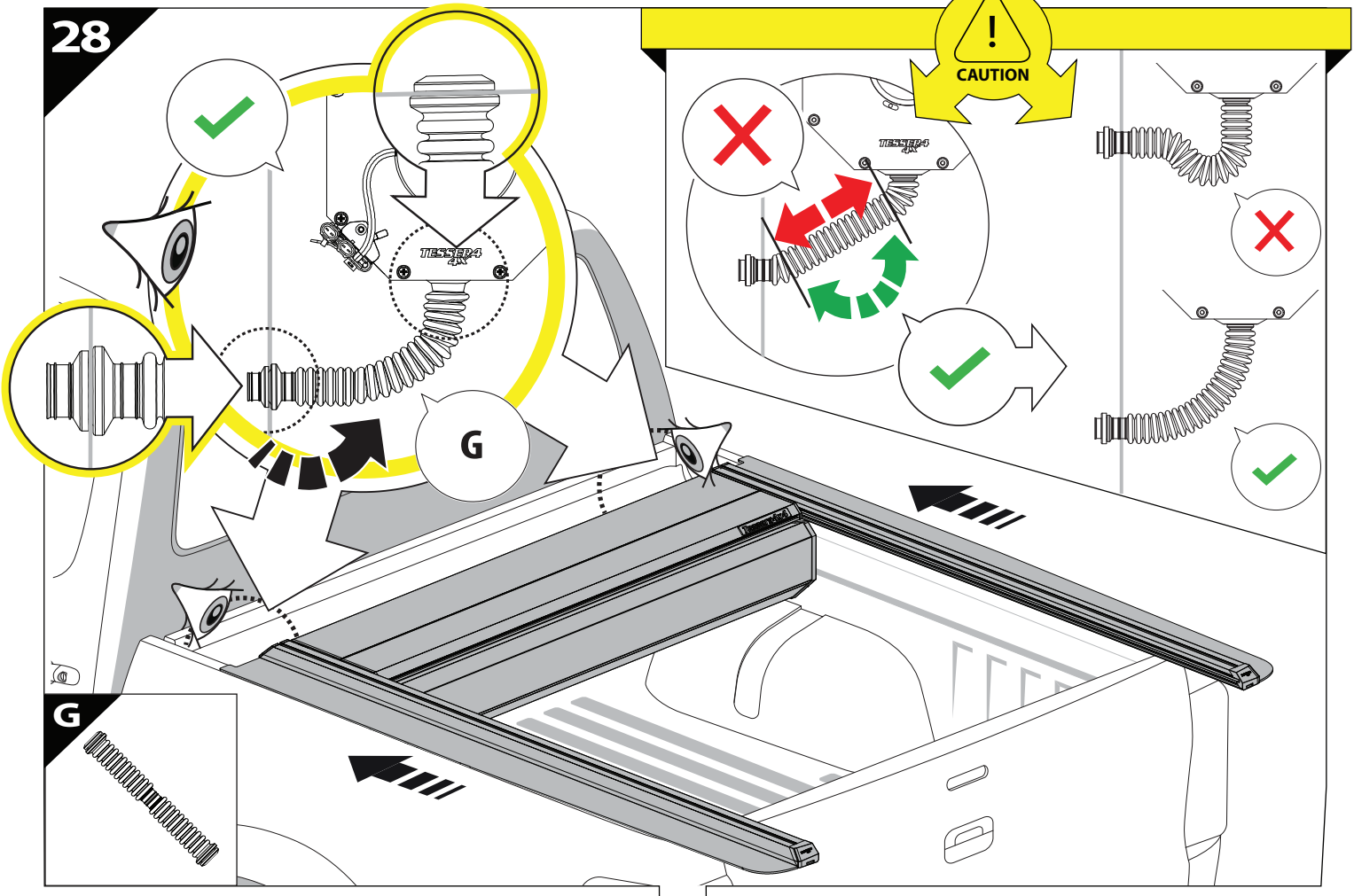
N1



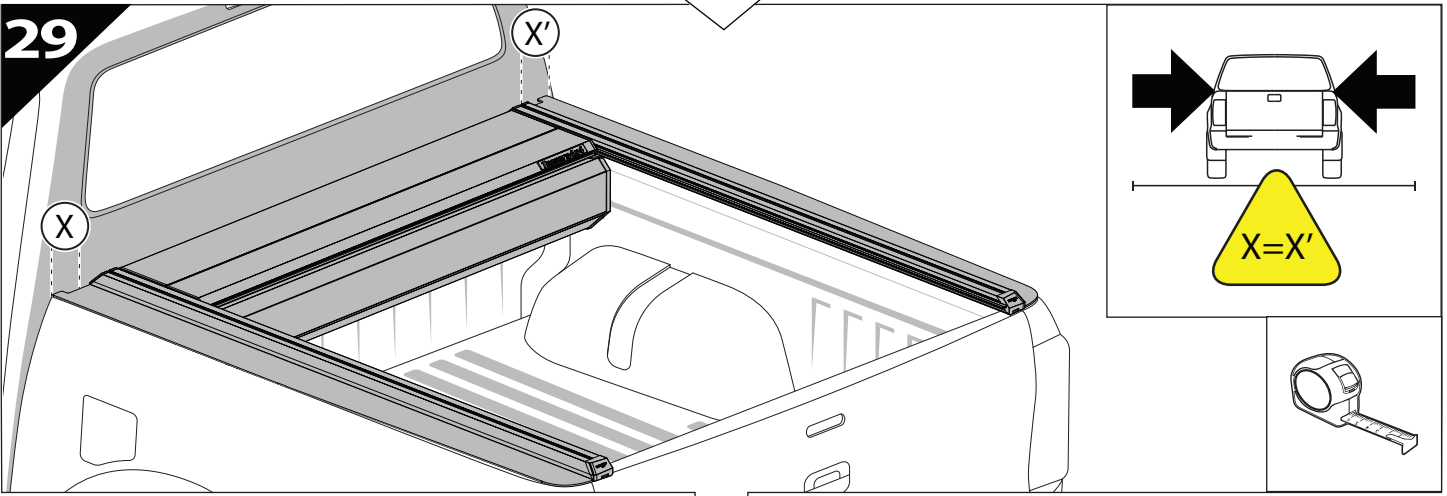




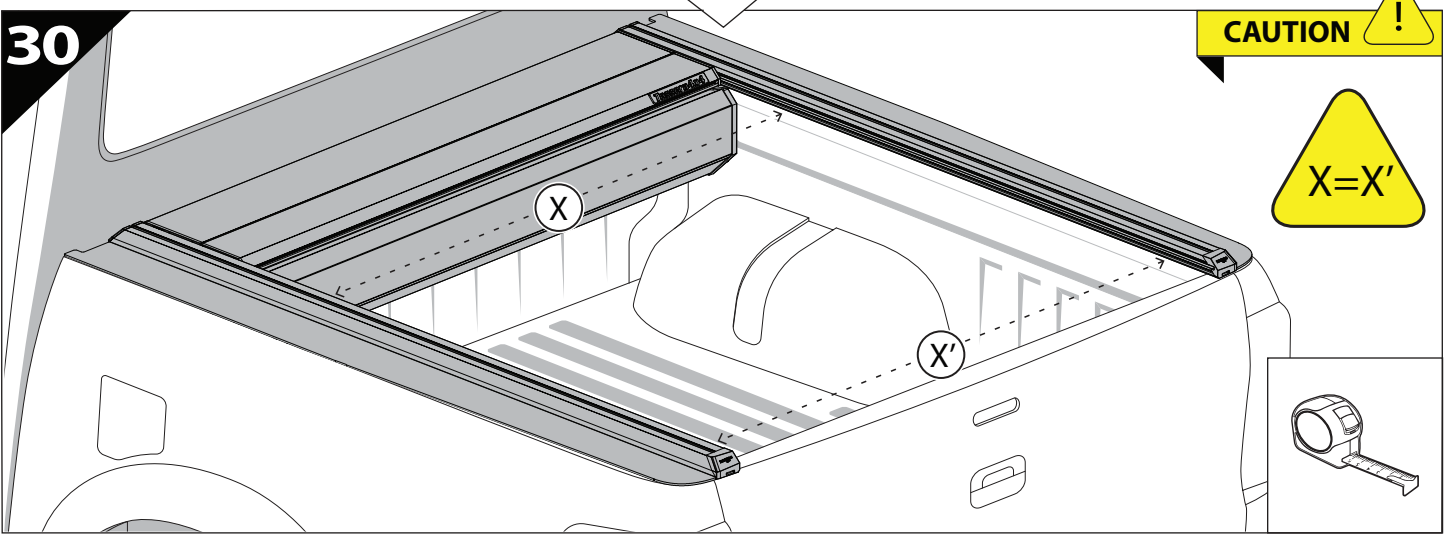
28



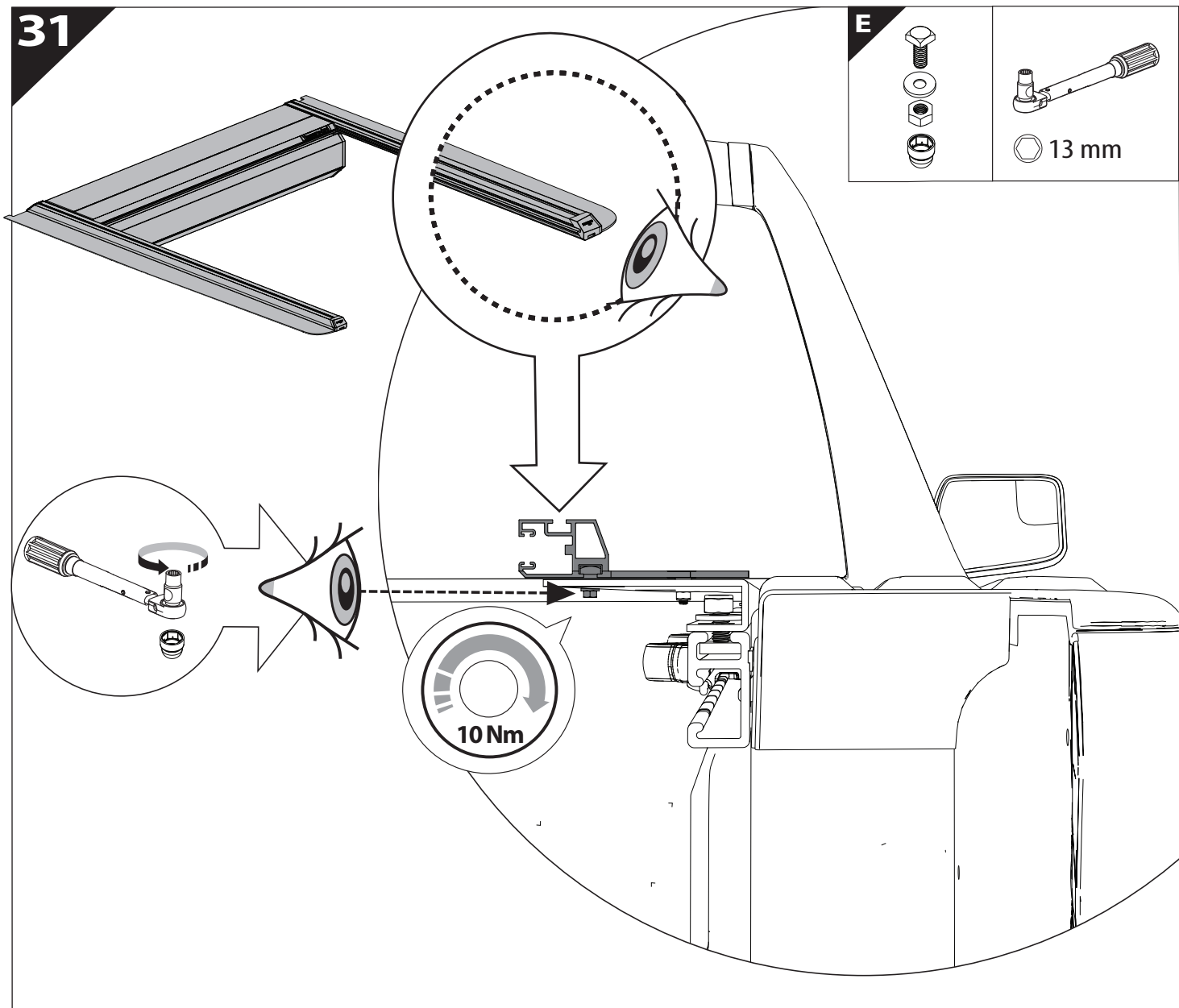
29

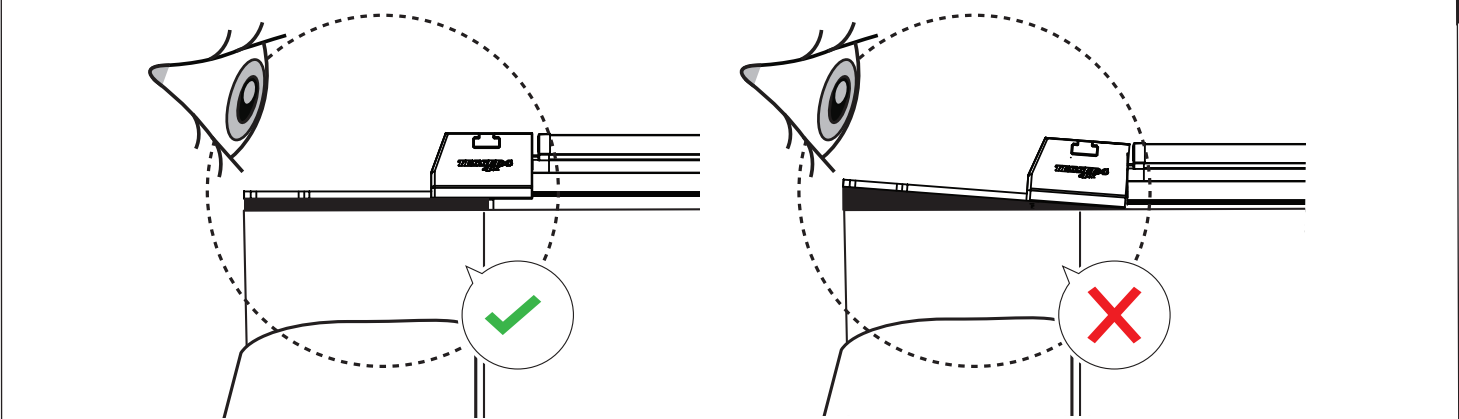
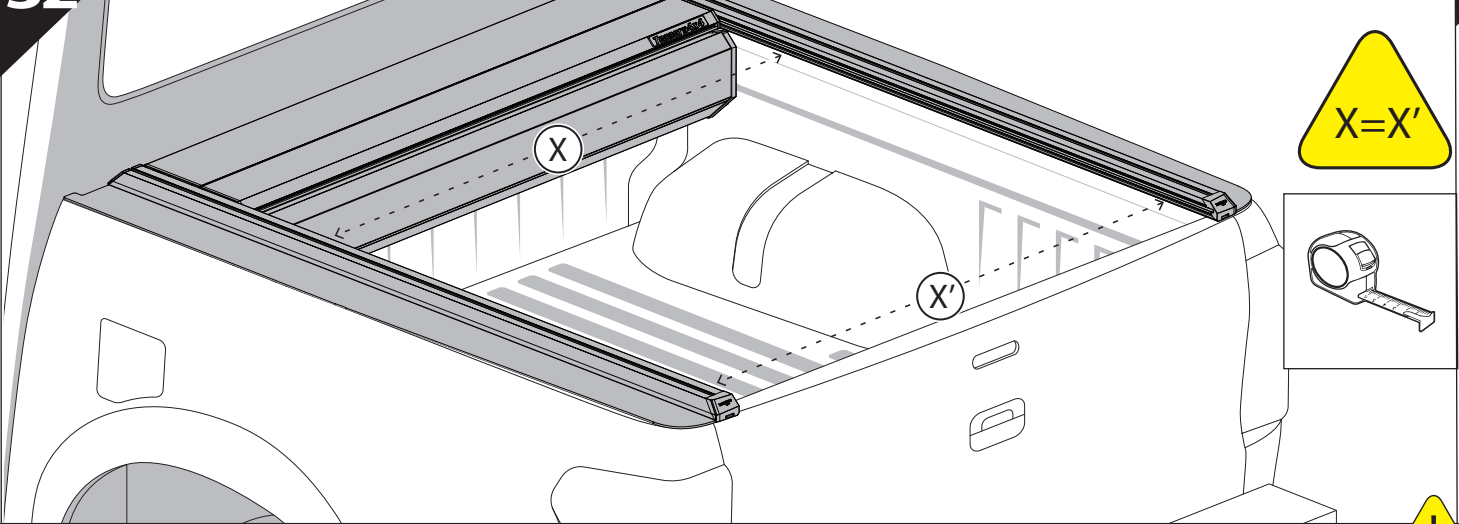


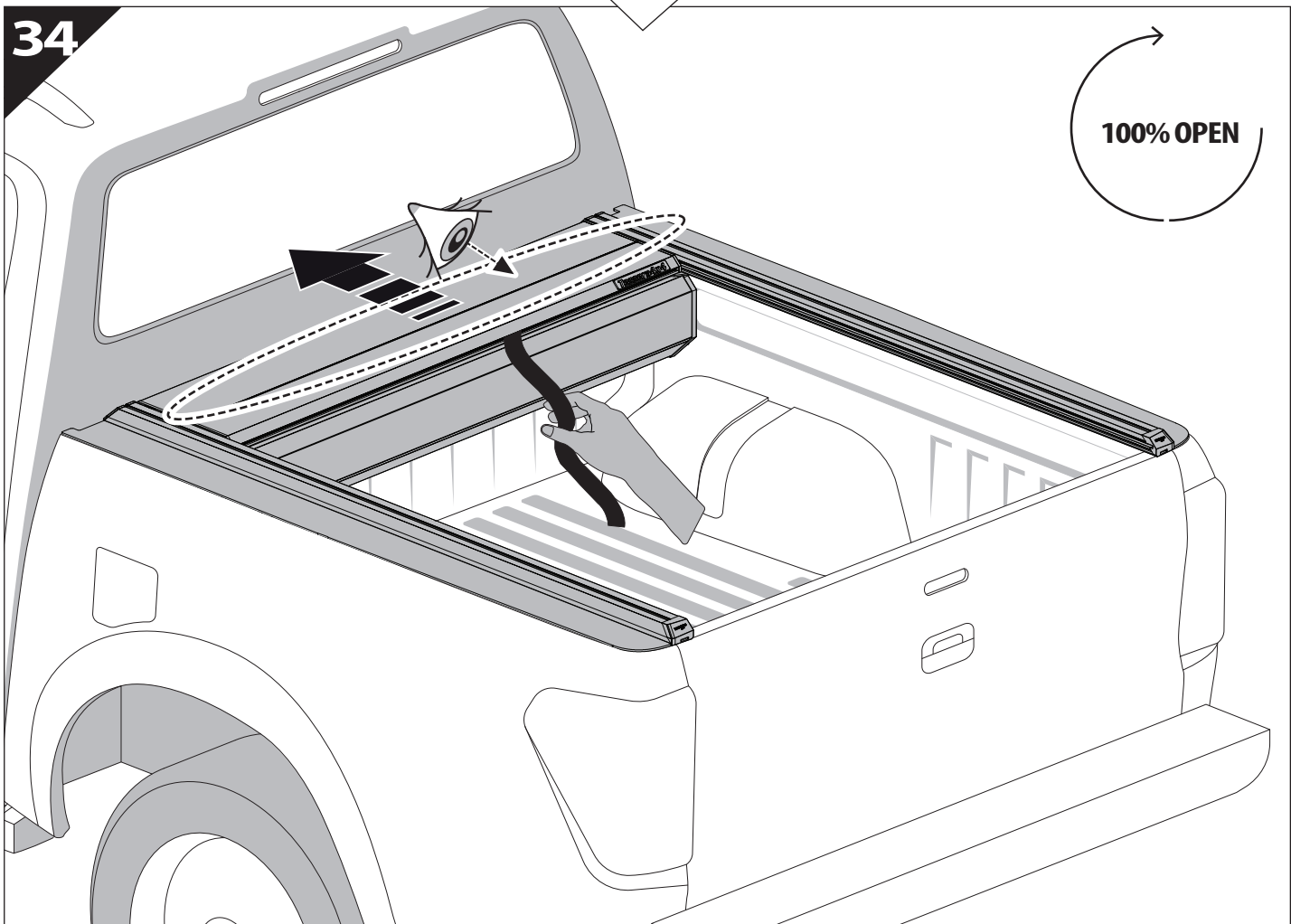
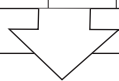
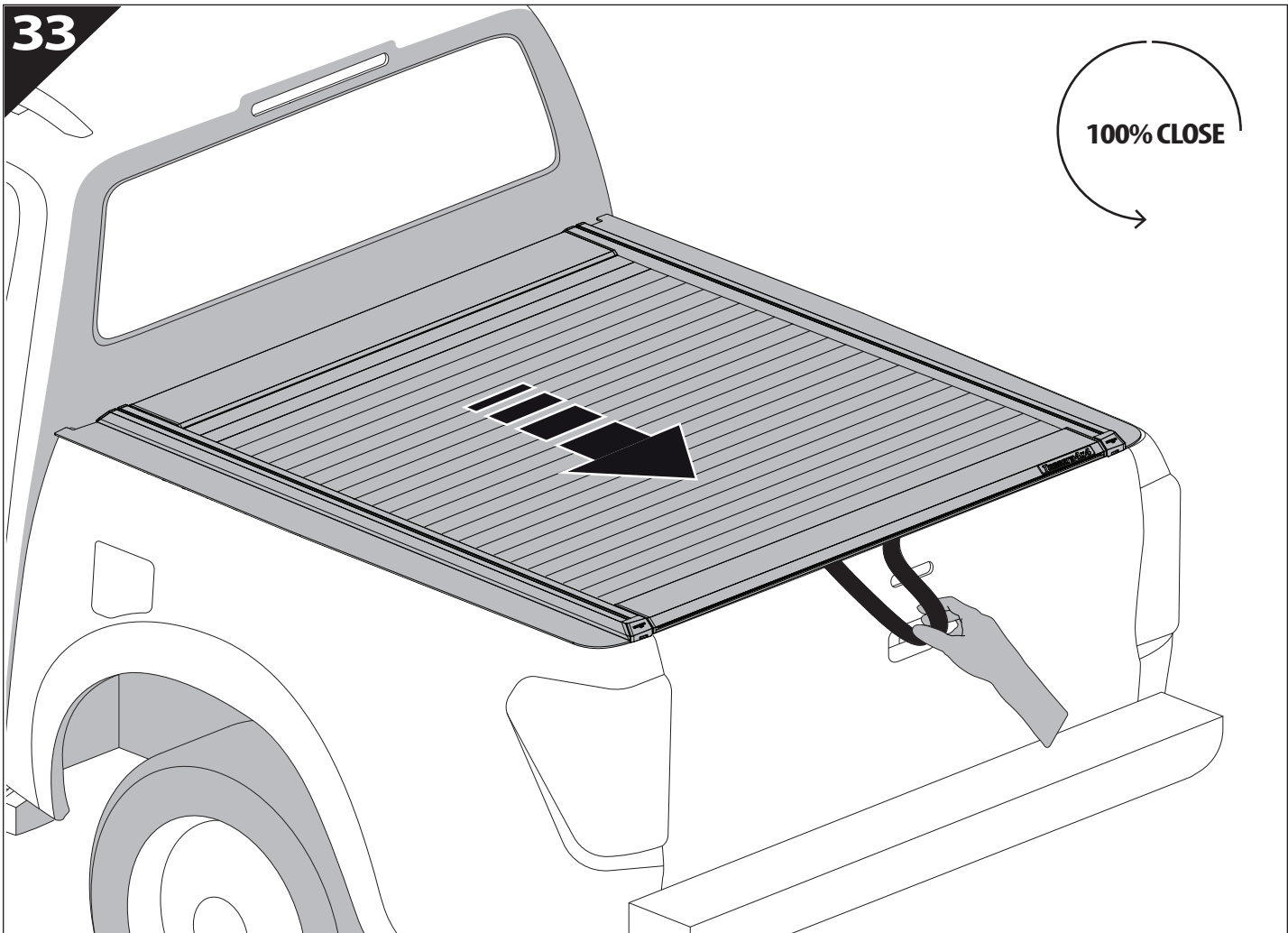
30



31









GR: Οδηγίες Εγκατάστασης
GB: Installation manual
SF: Asennusohje
F: Notice de montage
PL: Instrukcja montażu
NL: Installatie-instructies
TR: Montaj Talimatı
S: Monteringsanvisning
E: Instrucciones de montaje

H: Szerelési utasítás
P: Instruções de instalação
RUS: Инструкция по установке
N: Monteringsveiledning
D: Einbauanleitung
CZ: Návod k instalaci
I: Istruzioni de montaggio
DK: Monteringsvejledning
RO: Instructiuni de instalare

Customer Service:

+30 (210) 5541161, +30 (210) 5541154 (08:00 - 16:00 EET)

Support department:

info@gianso.gr

Website:

www.tessera4x4.com

Address:

19.5 km of National road Athens-Korinthos (Elefsina) Greece, P.C: 19240