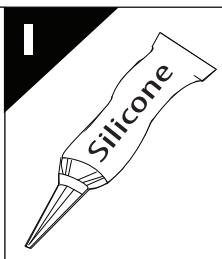
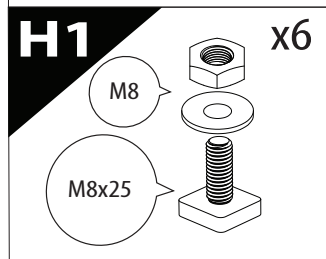
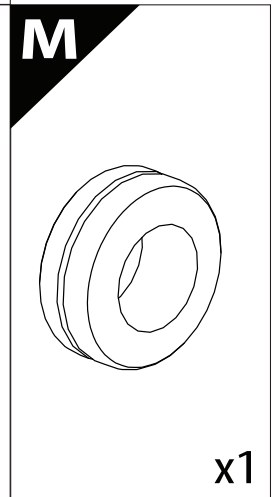
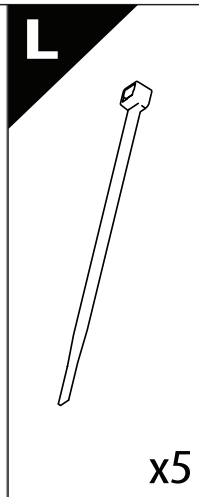
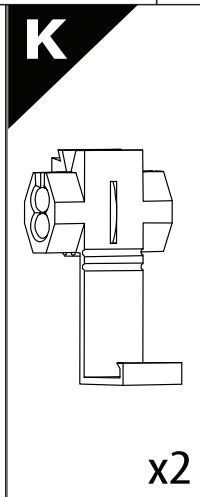
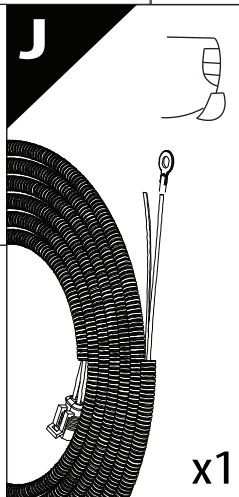
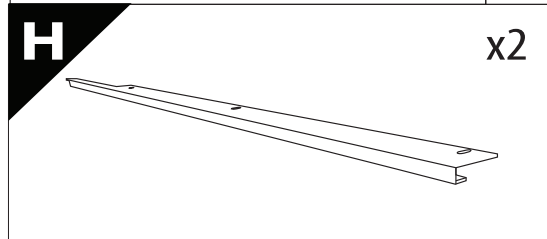
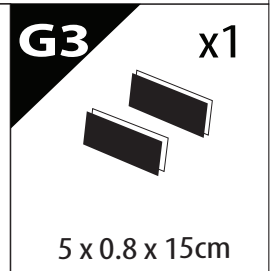
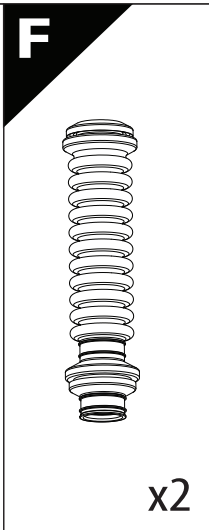
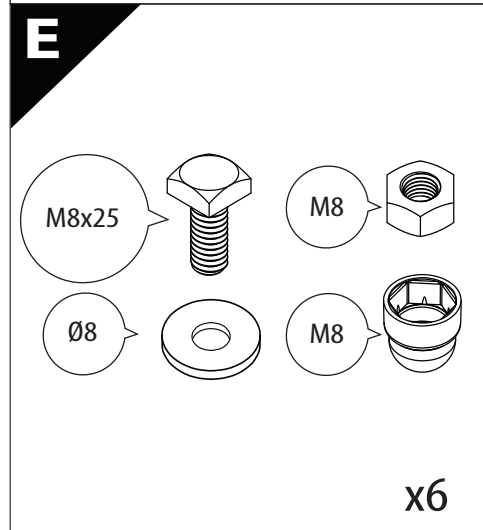
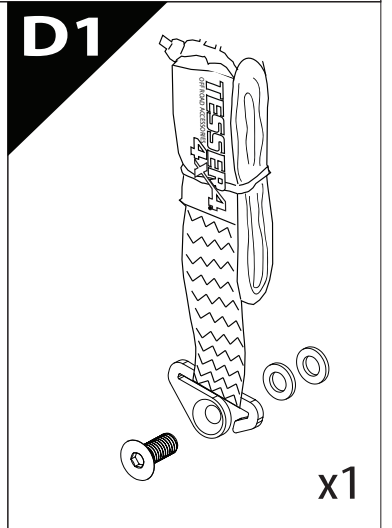
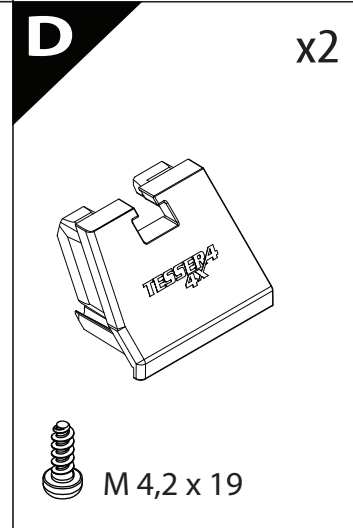
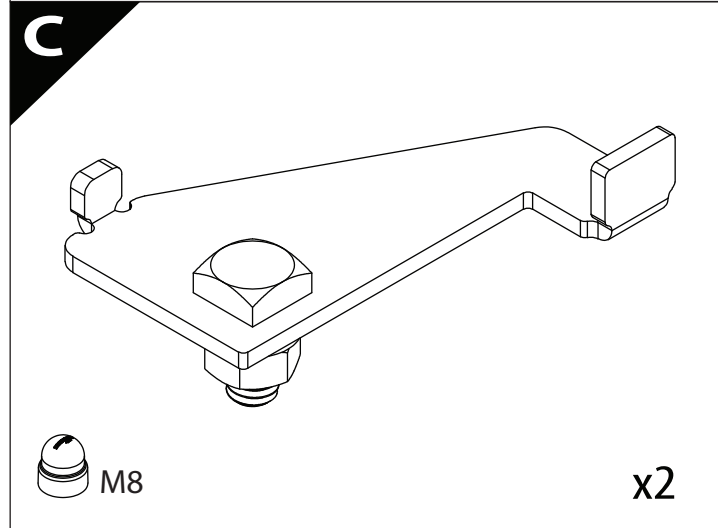
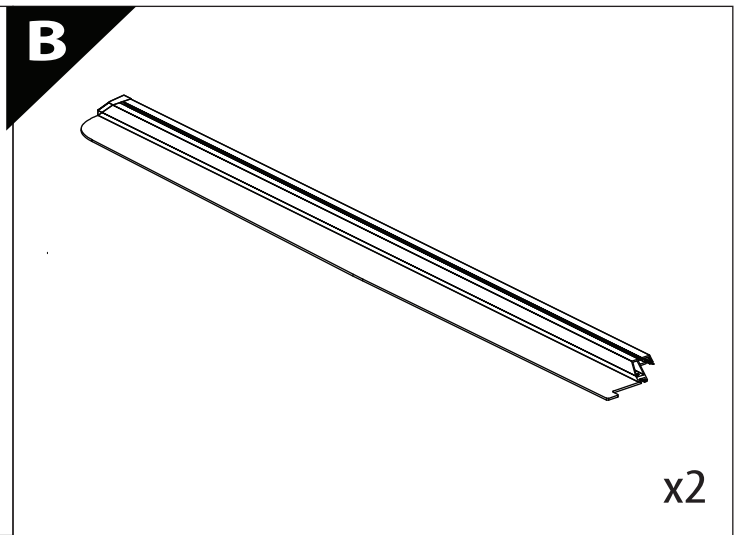
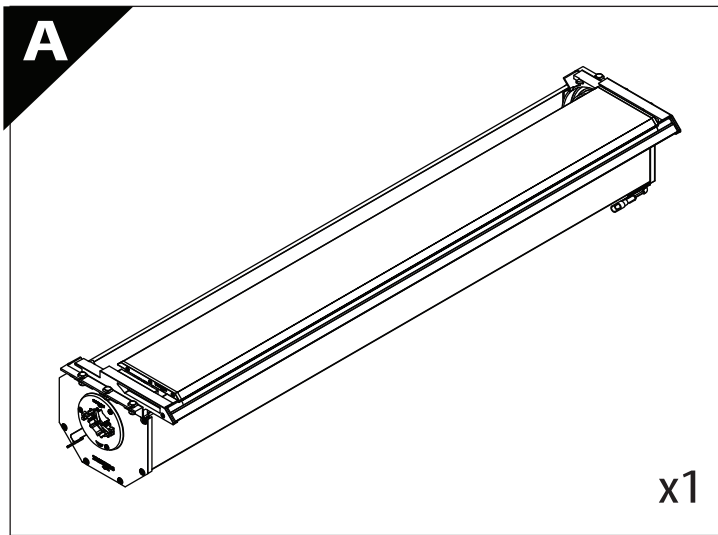
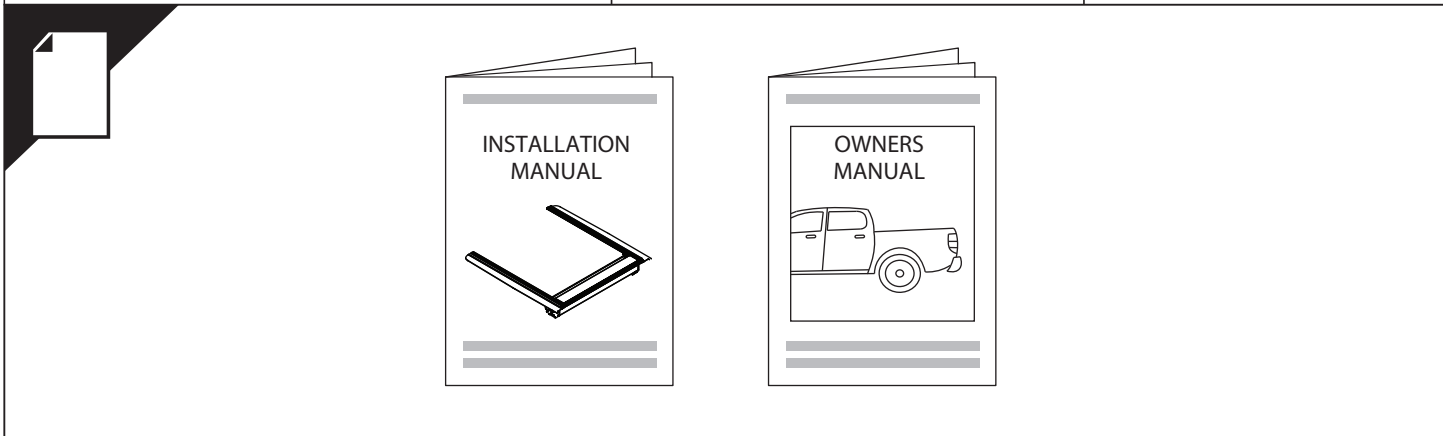
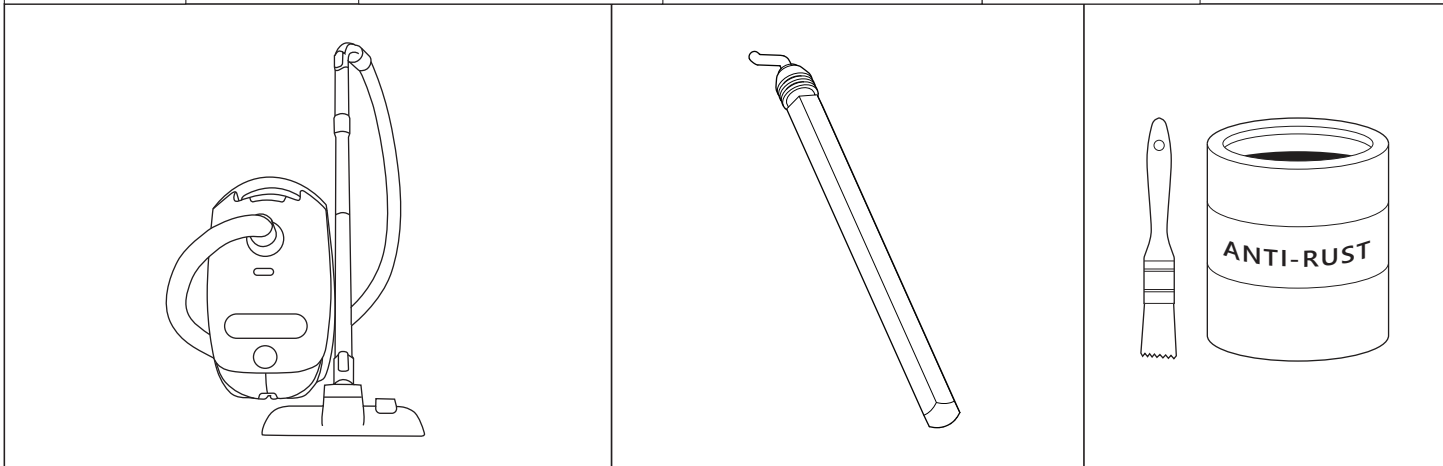
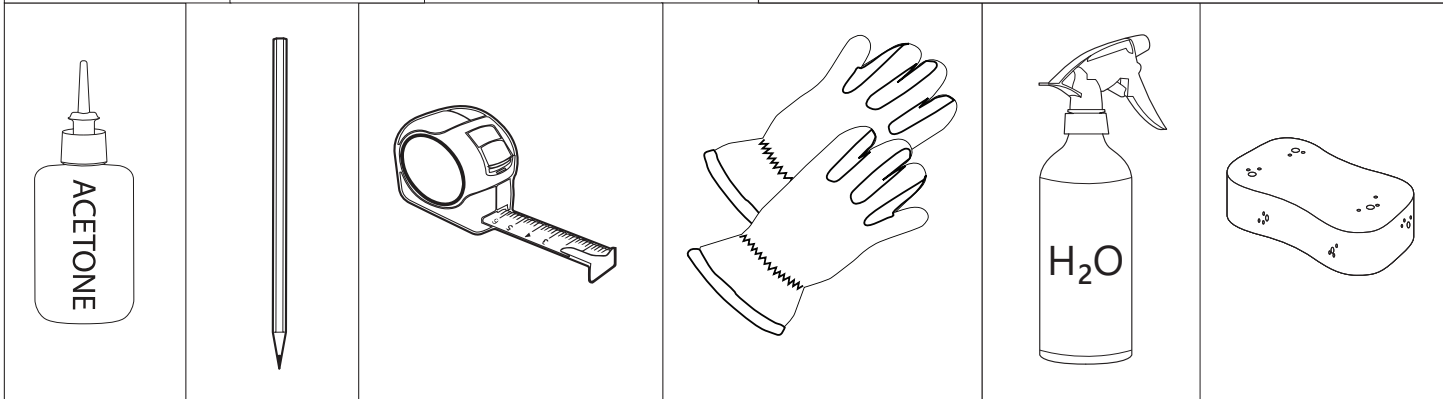
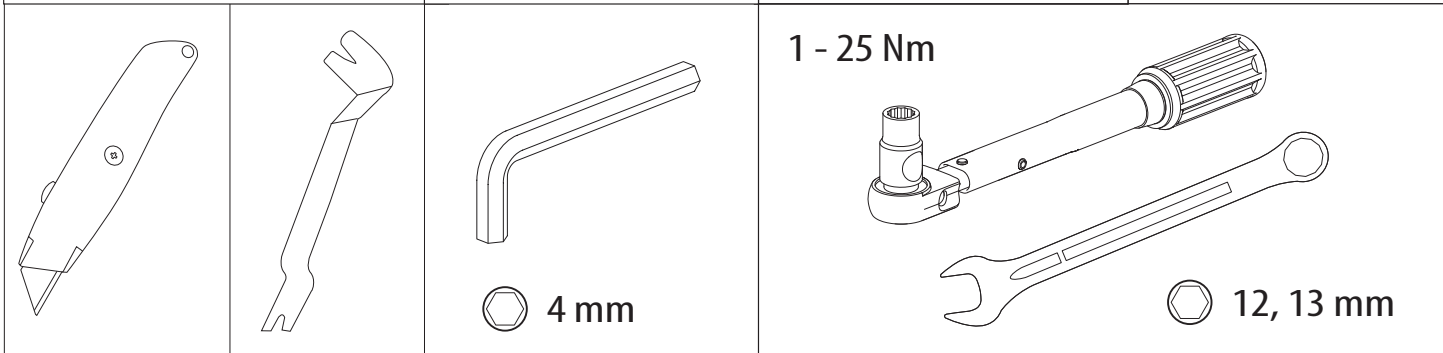
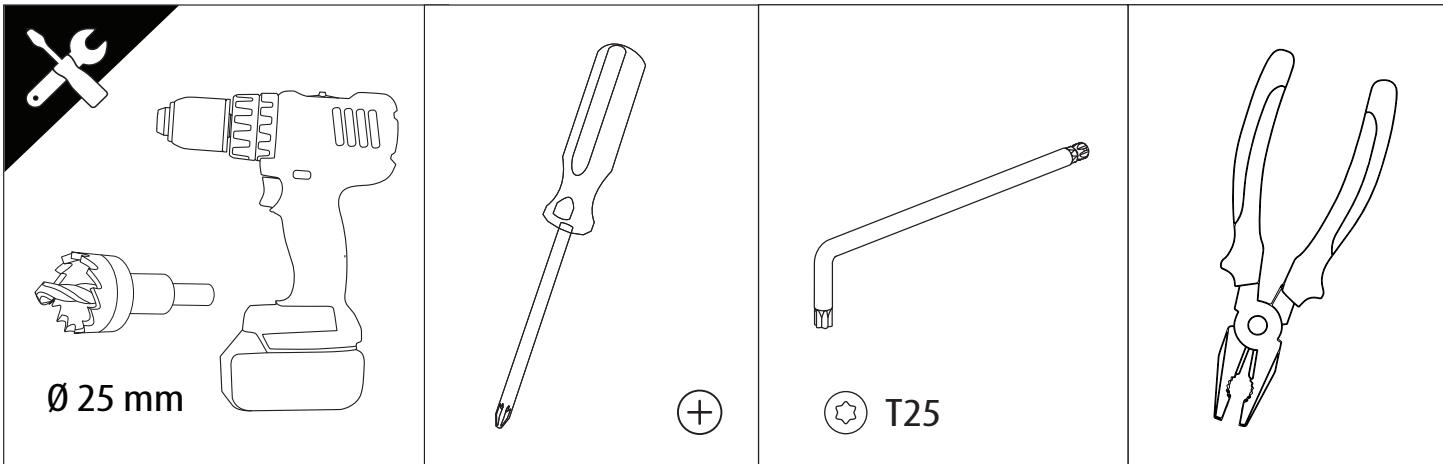
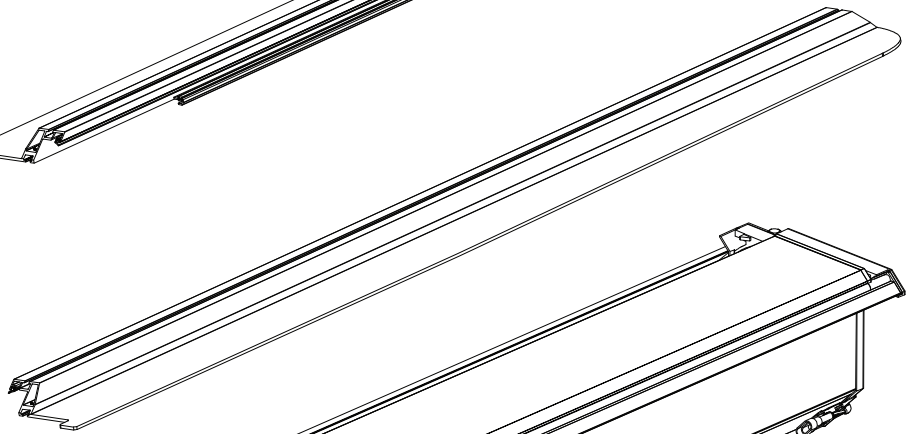
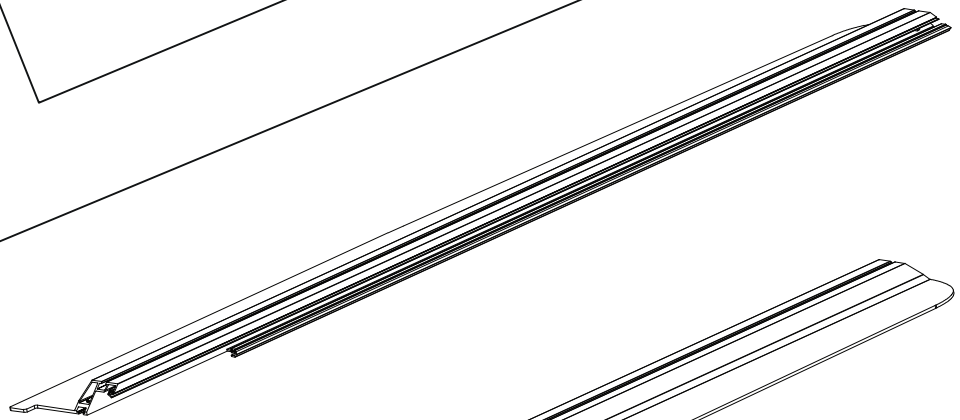
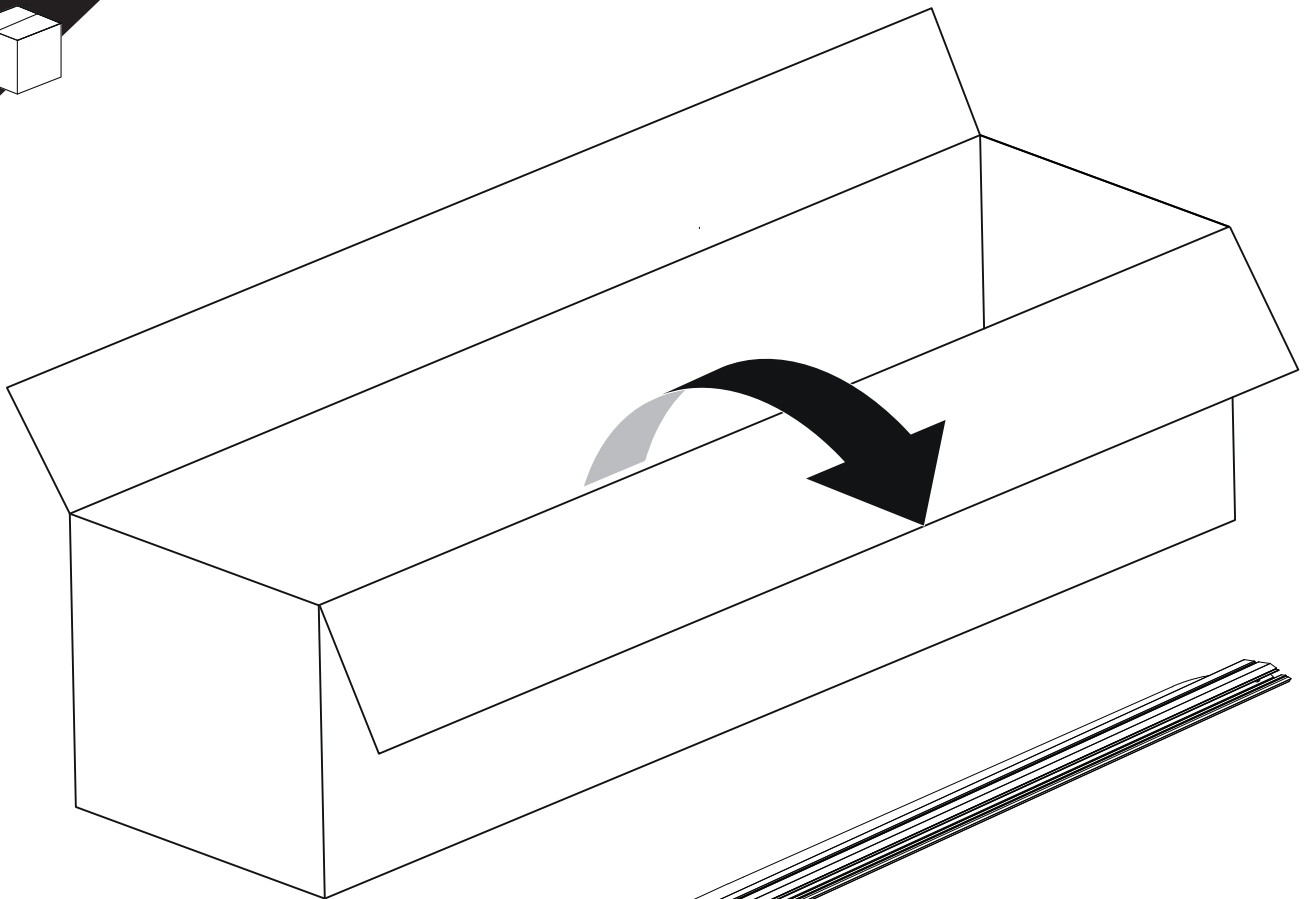


Installation Manual

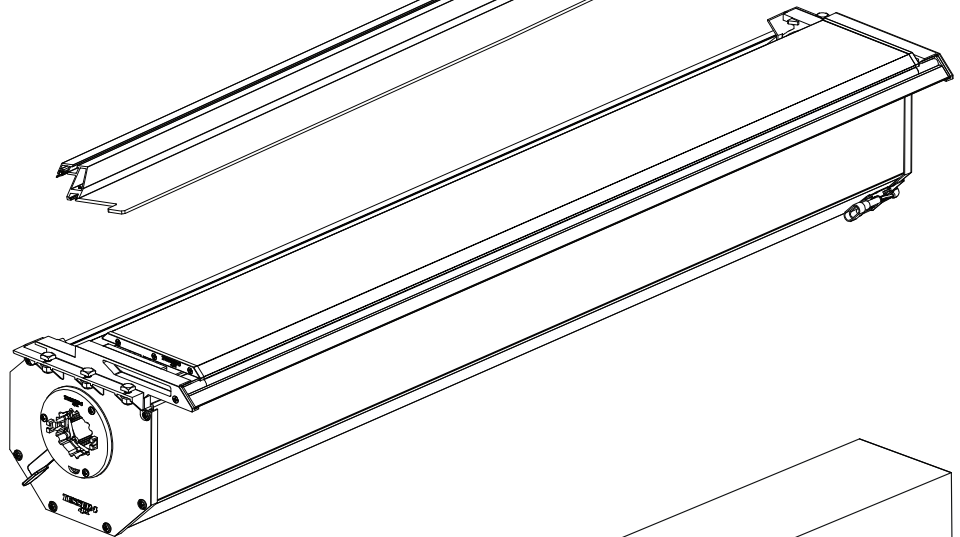
PART NUMBER(S)		Model Year
TESS 15240 SE	TESS 16240 SE+	Dodge Ram RamBox 1500 2019+
Cab(s)		Installation Time / Weight
Double Cab		40-60 minutes / 53-57 kg





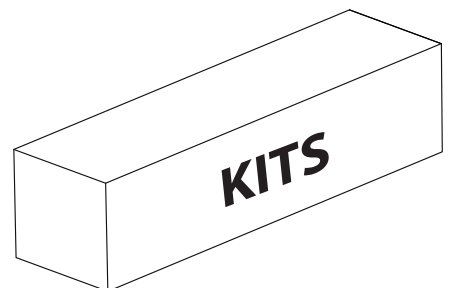


B

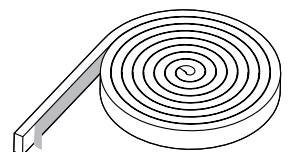


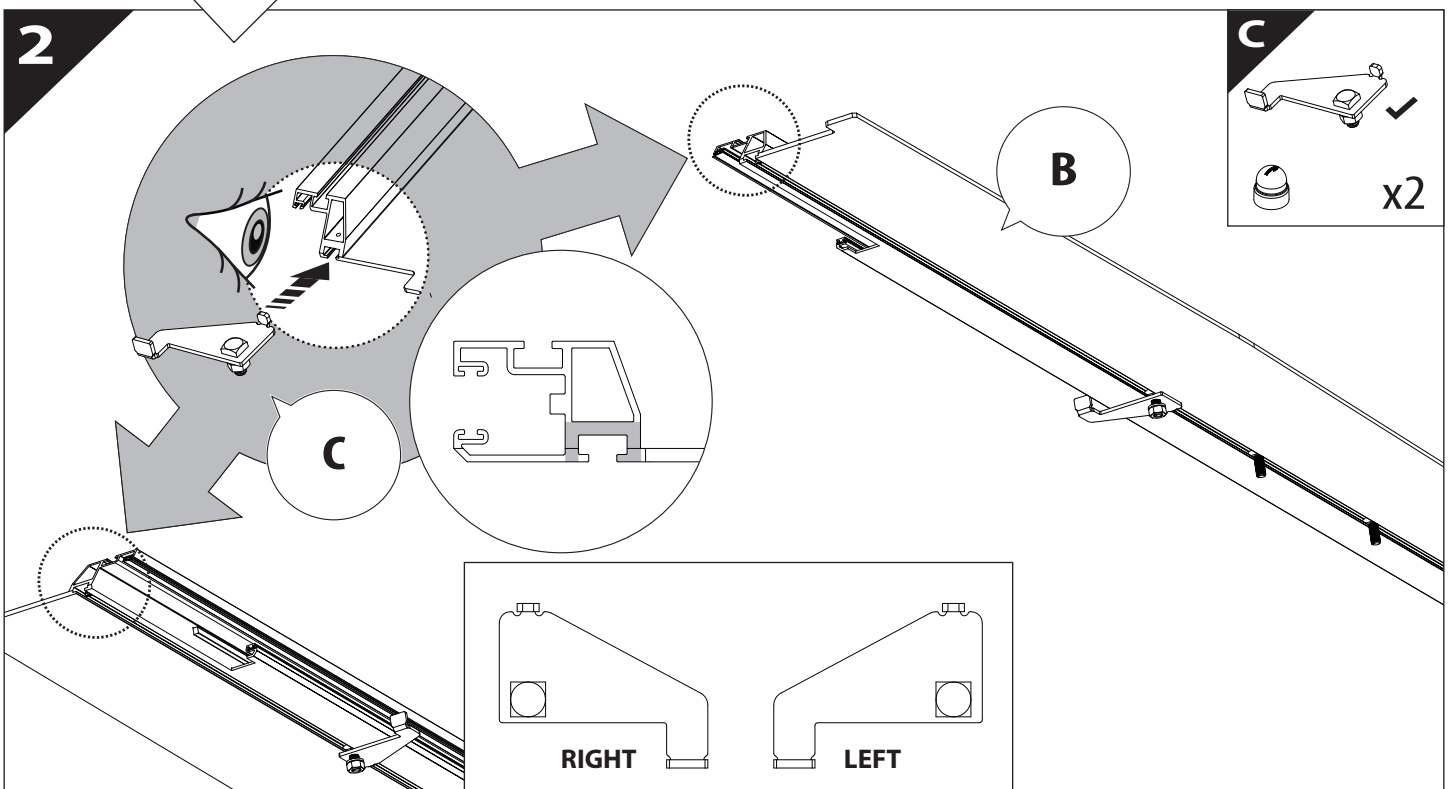
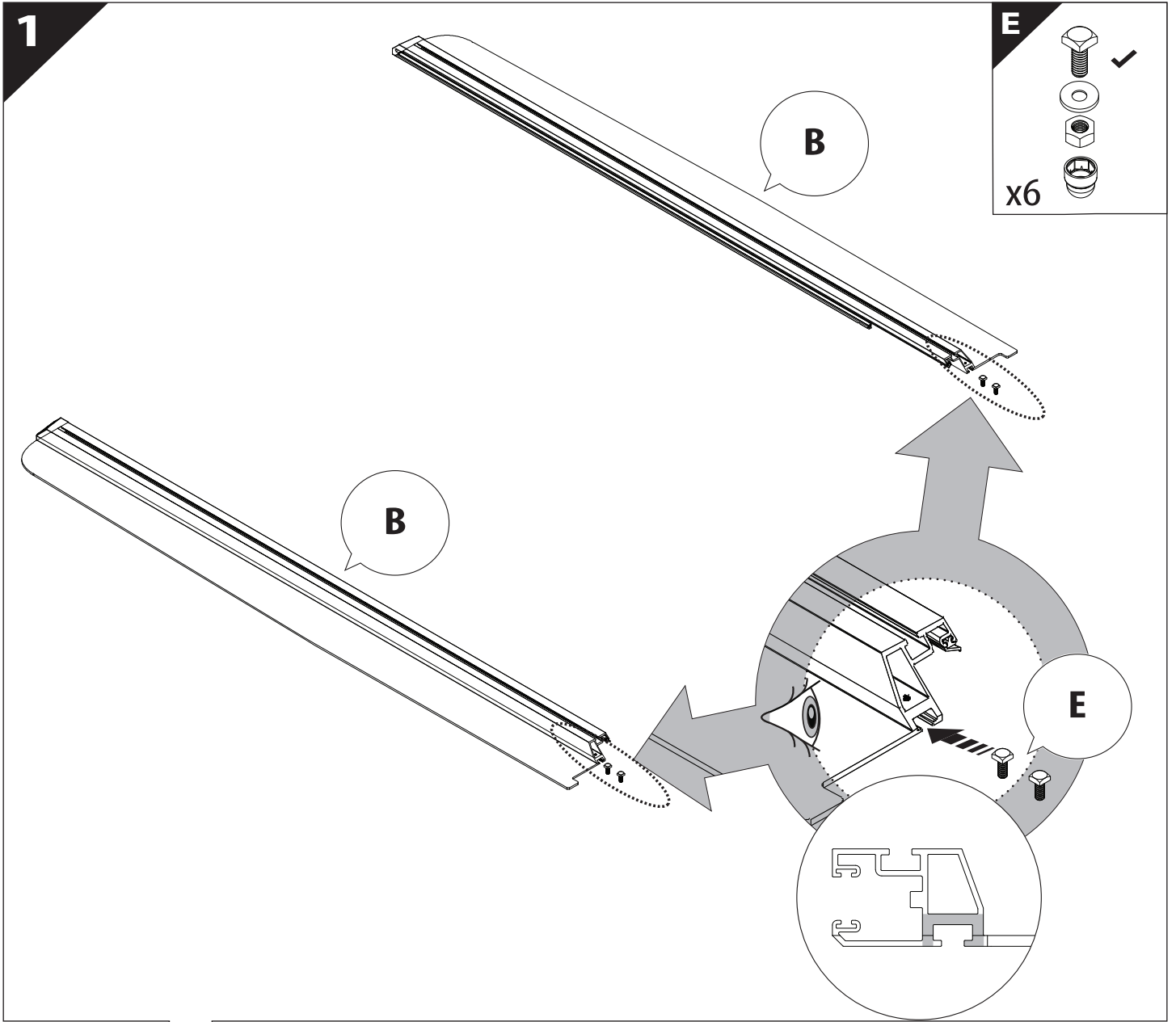
A

KITS

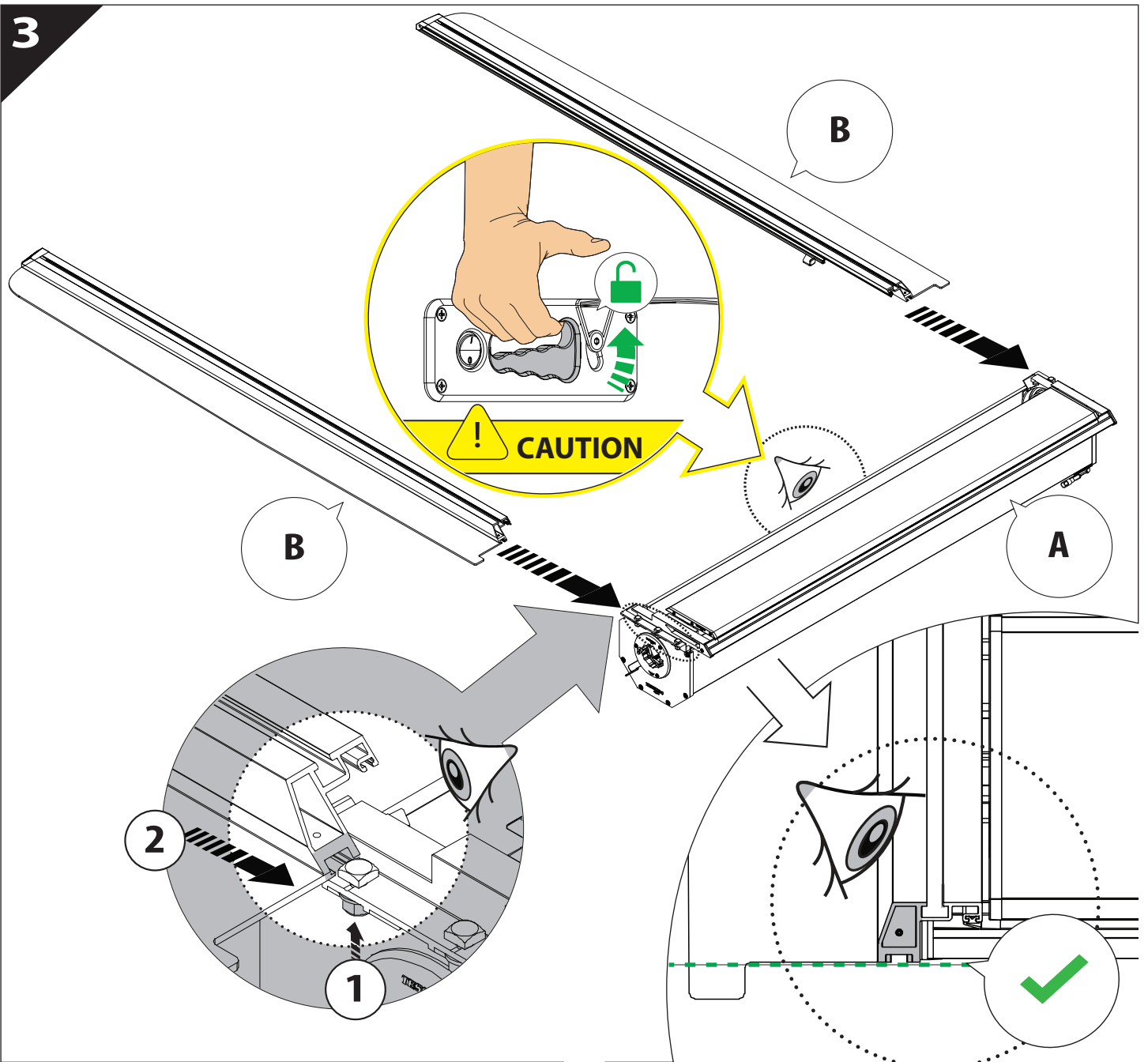


G

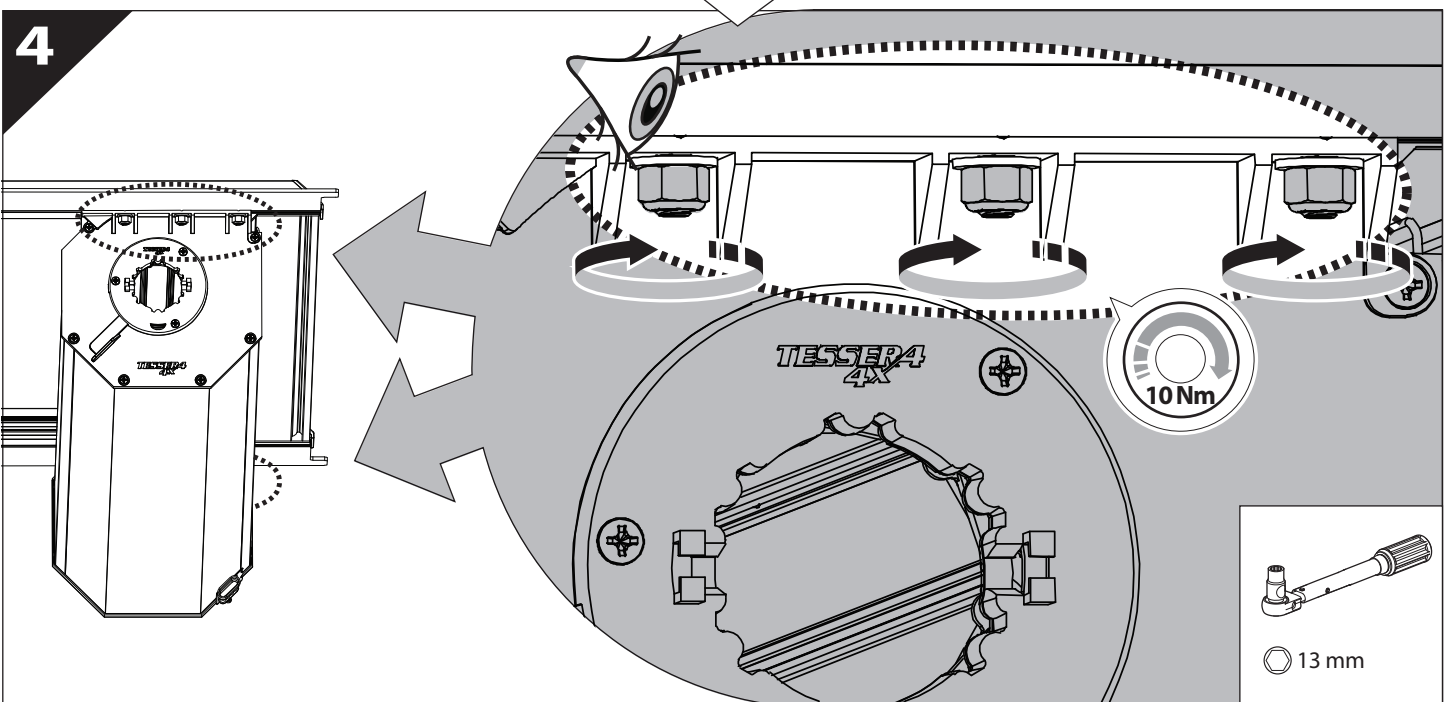


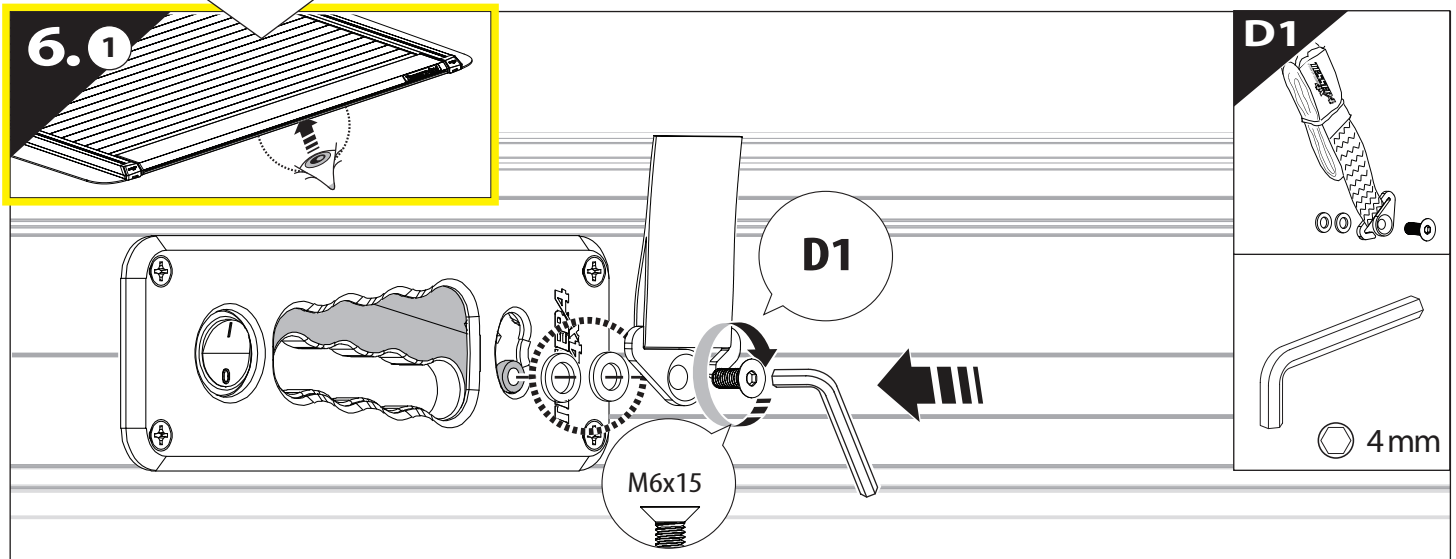
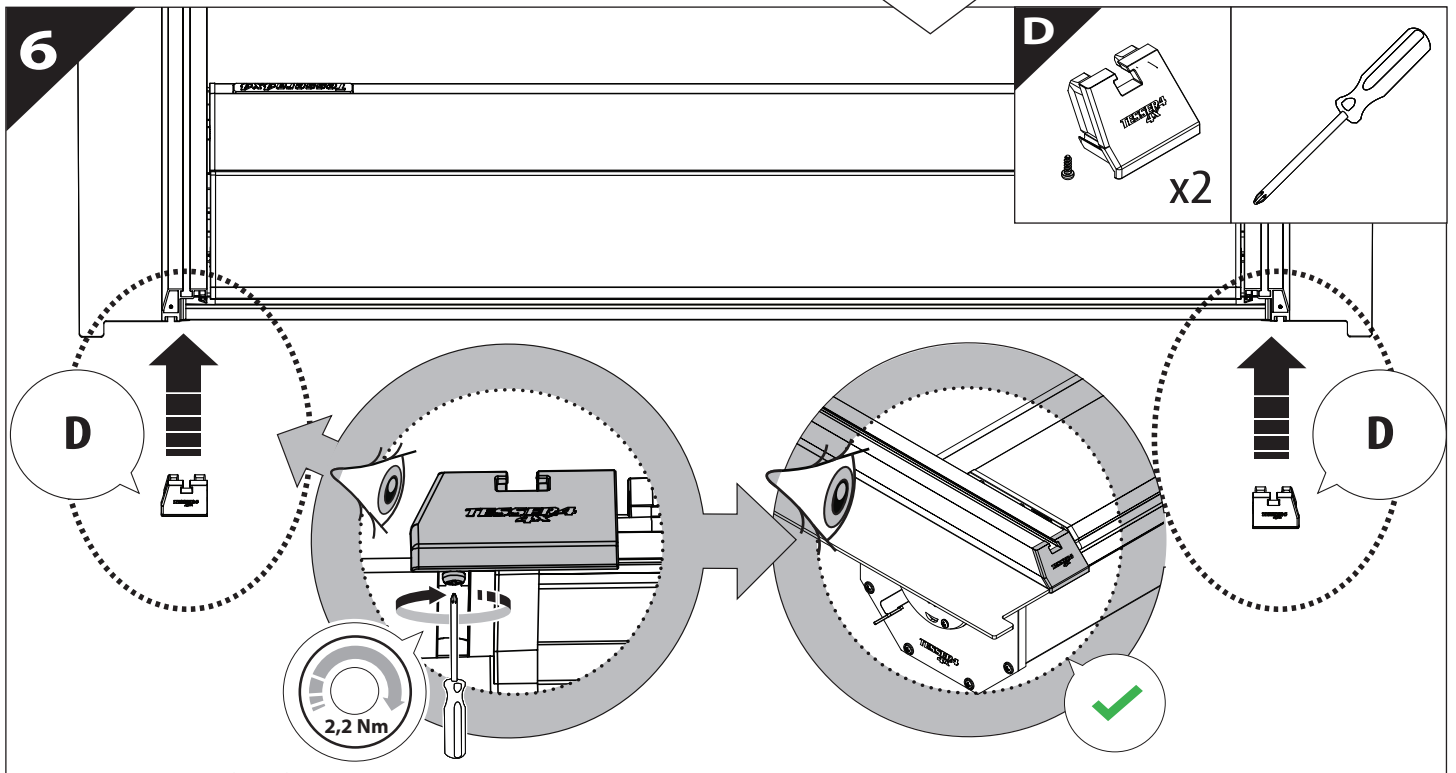
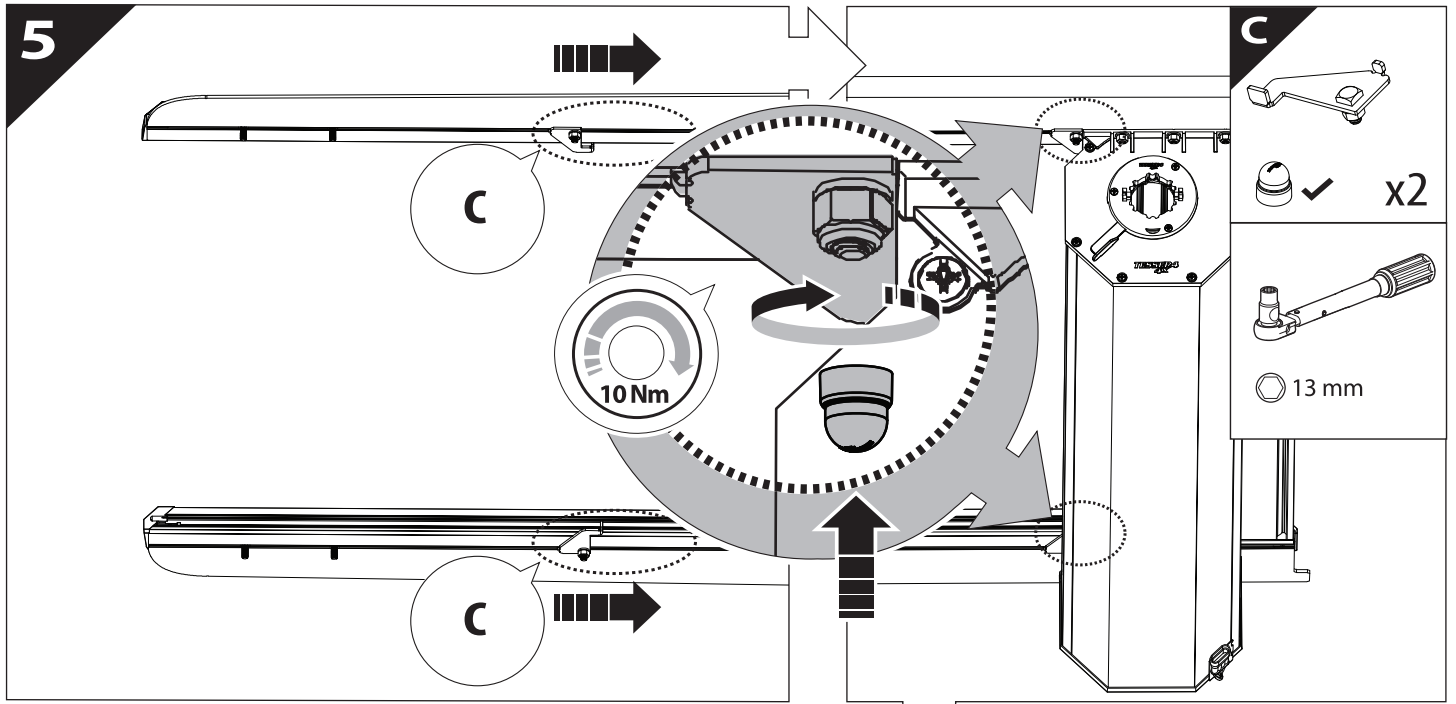


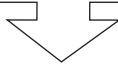
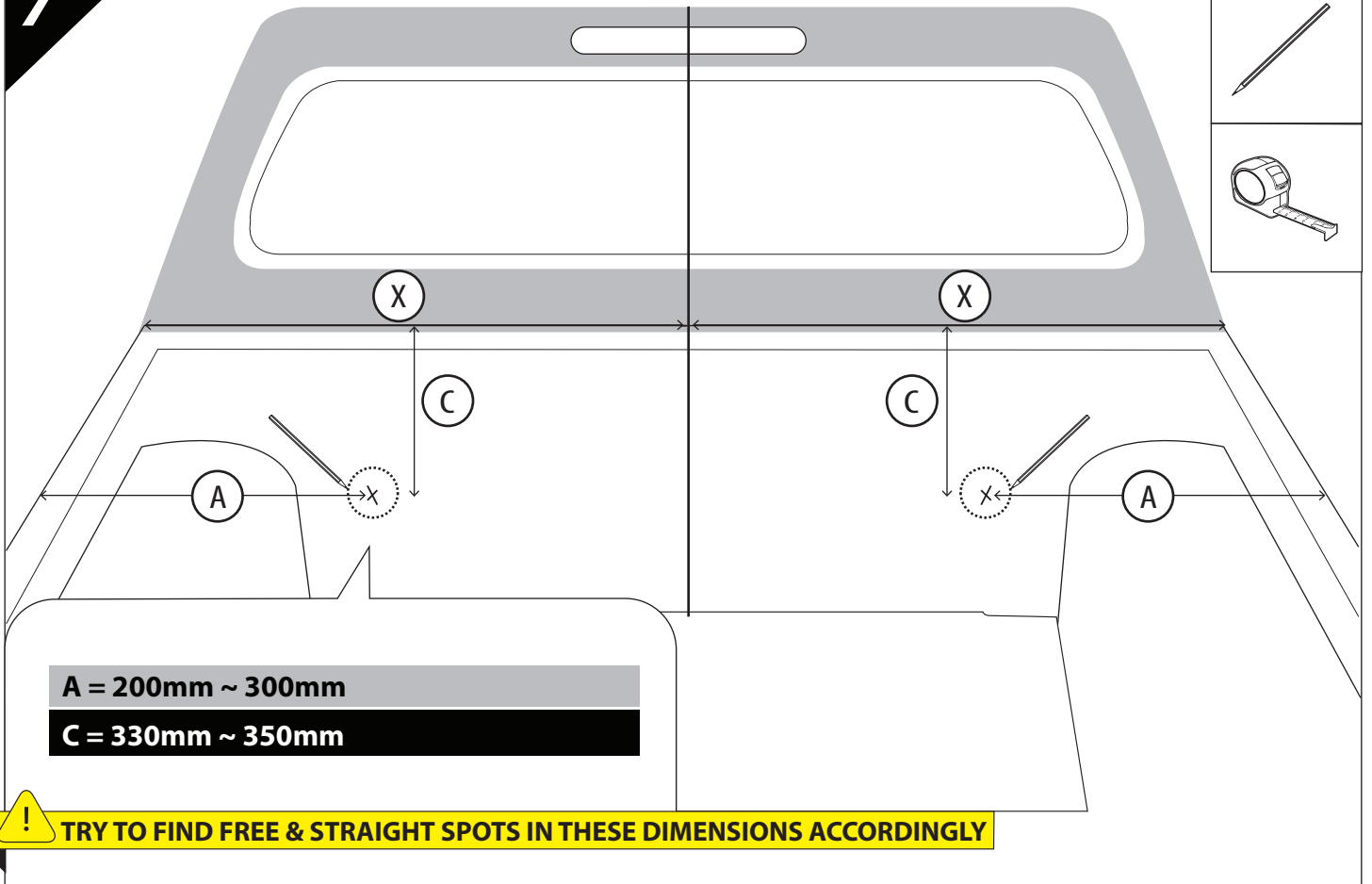
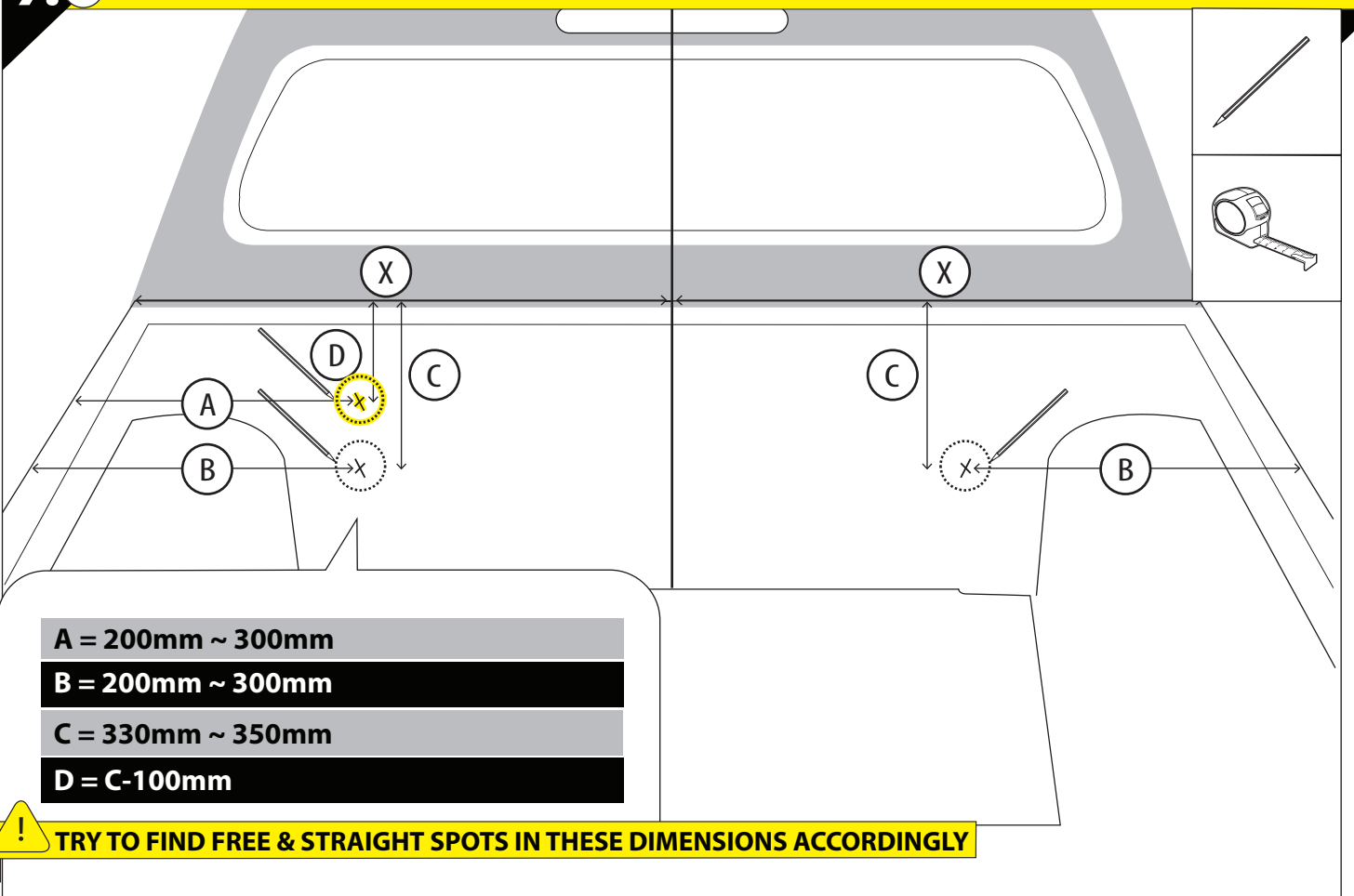
3



4





7**7.1****CAUTION: ONLY FOR SE+**

8

CAUTION

CAUTION

max: 2 mm

5 mm

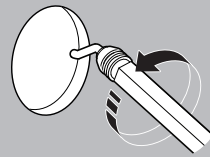
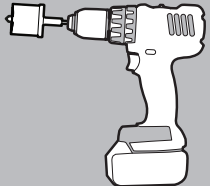
CAUTION: ONLY FOR SE+



Ø 25 mm

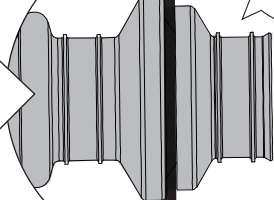
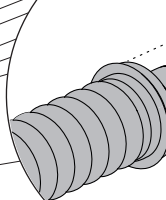


Rust Protection

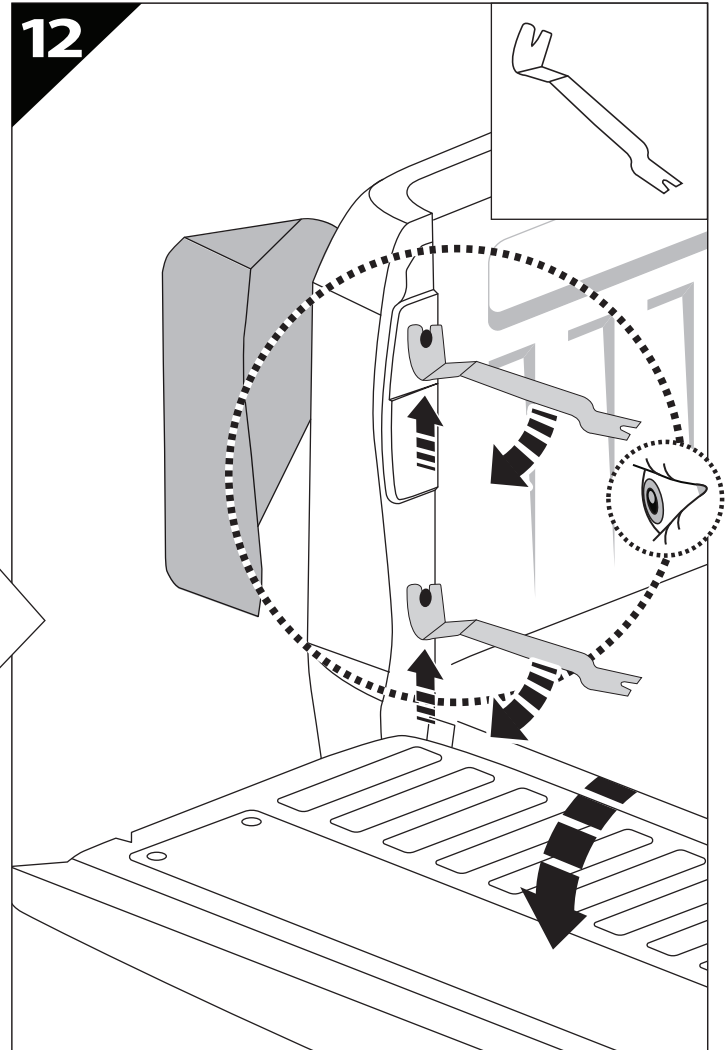
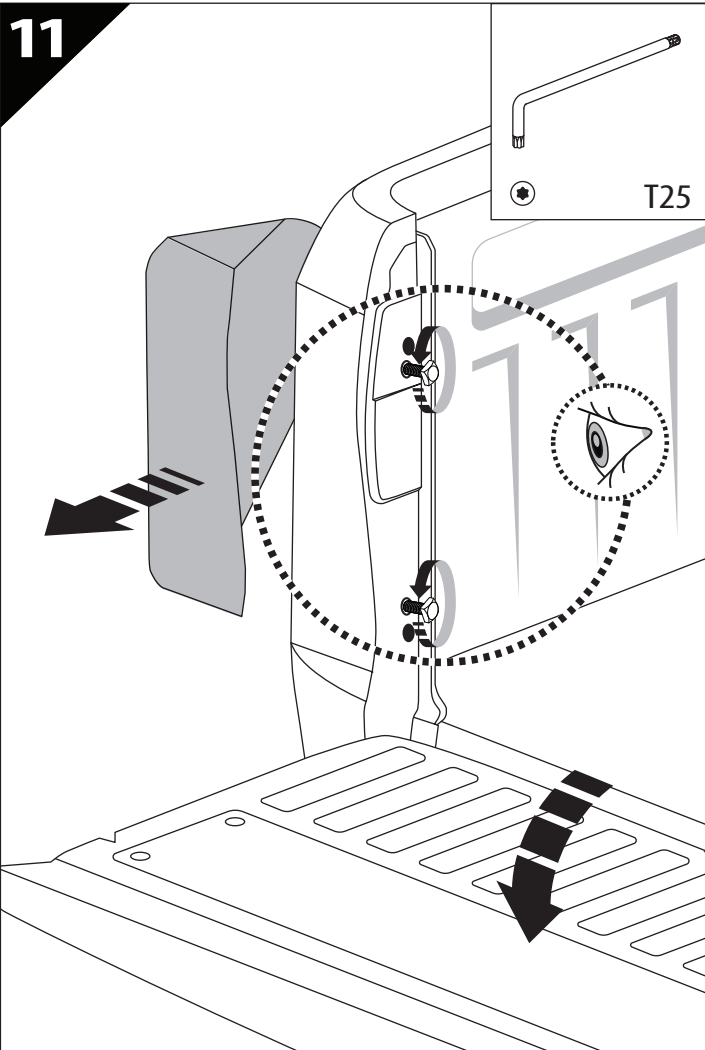
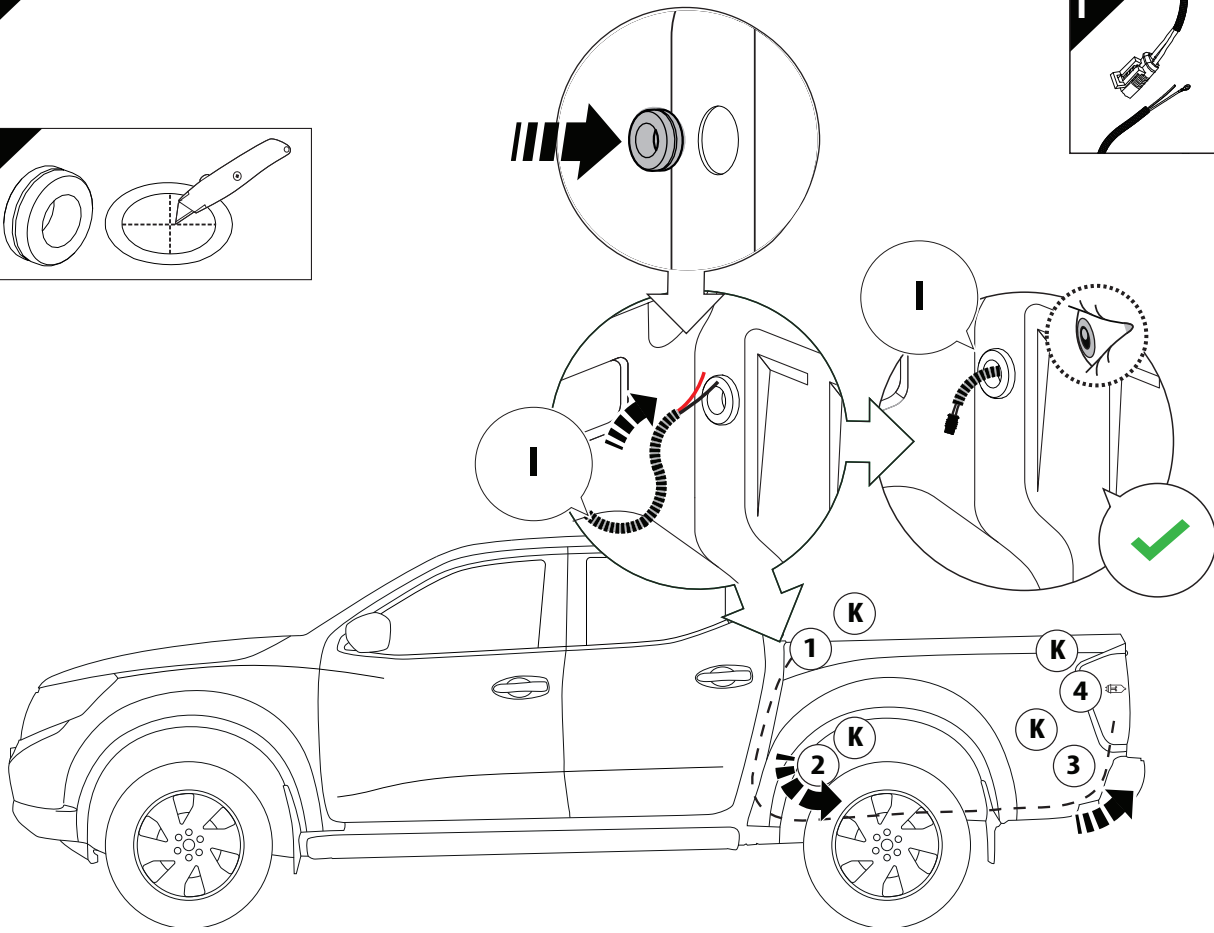
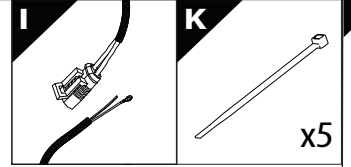
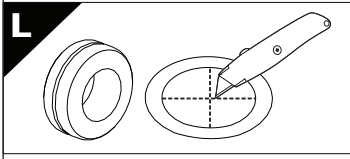


9

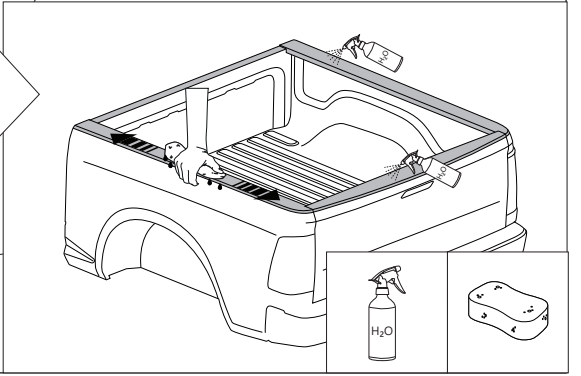
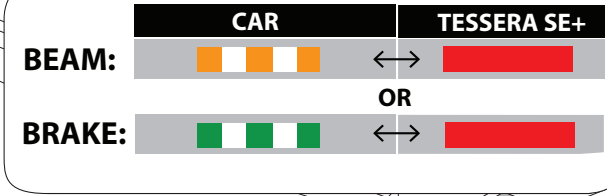
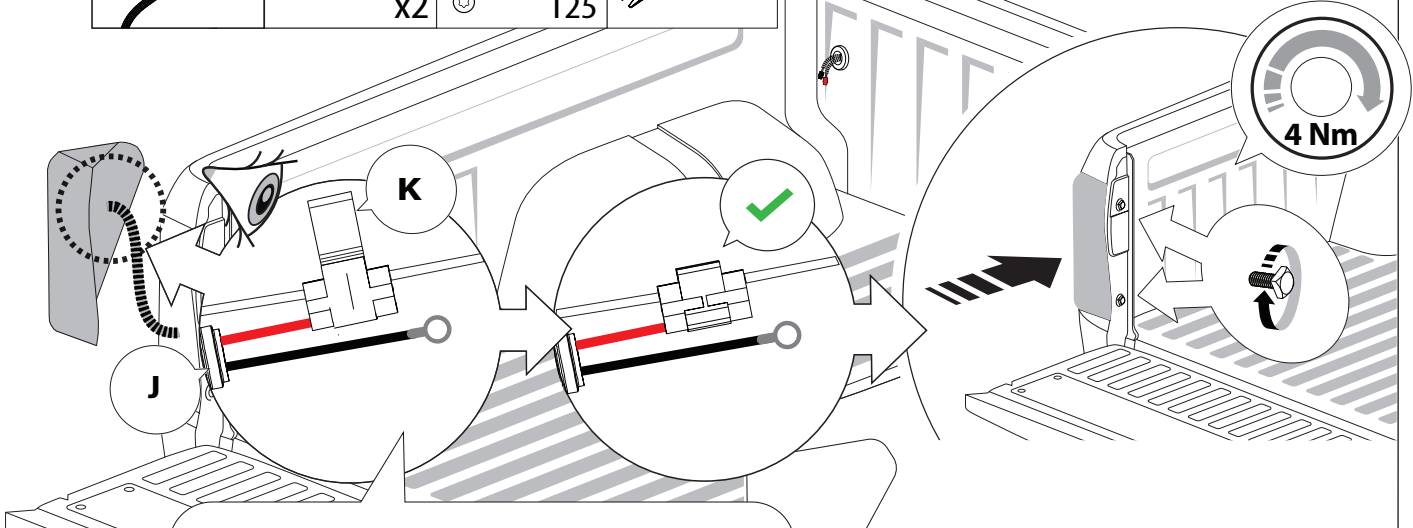
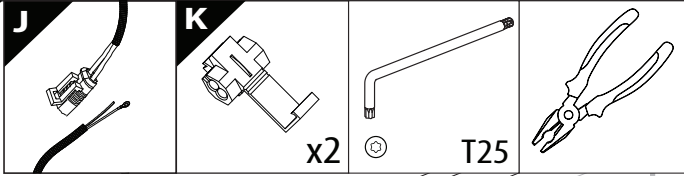
F



F



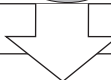
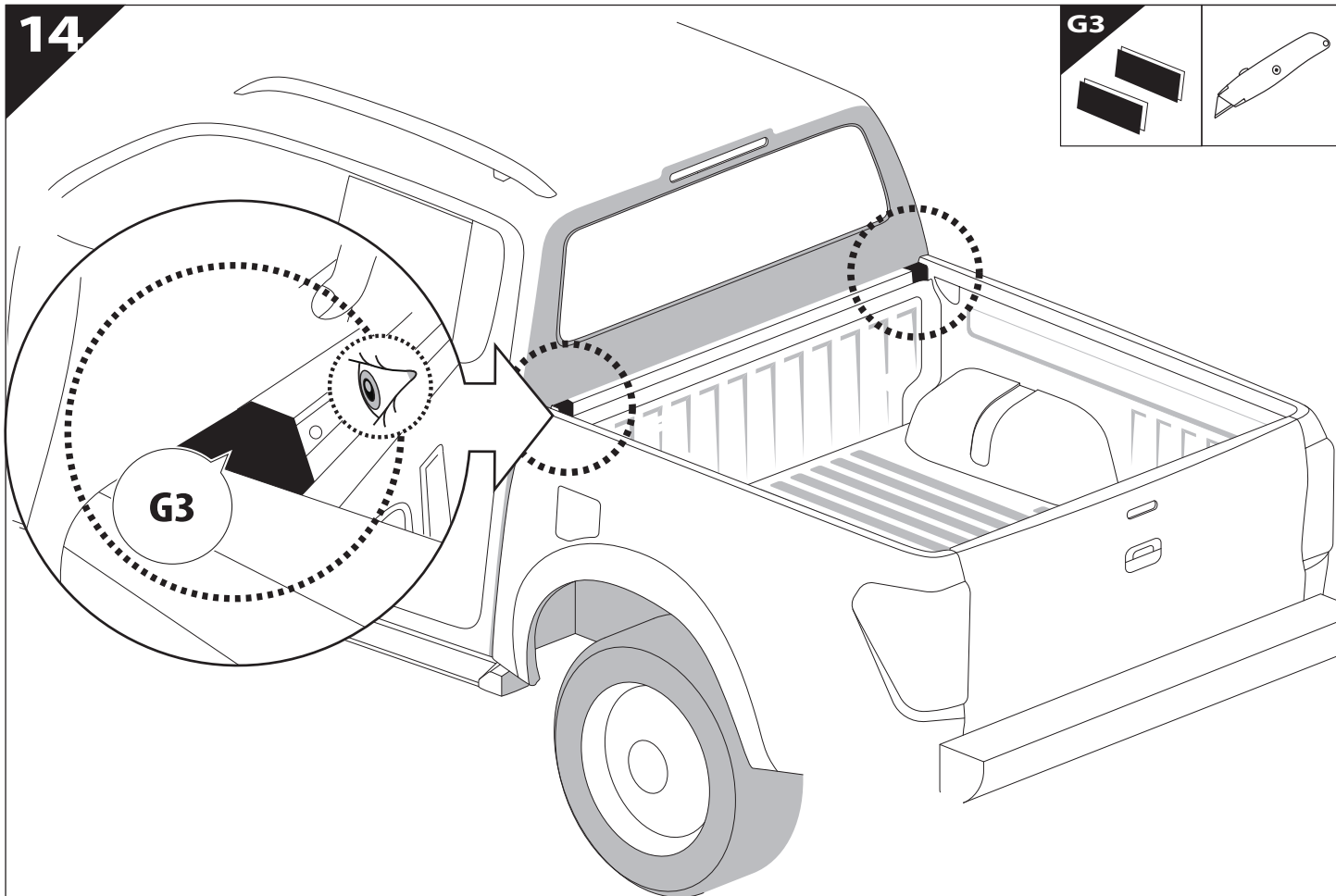
13



CONSULT YOUR VEHICLE ENGINEER OR A QUALIFIED ELECTRICIAN TO LOCATE AND CONNECT THE GROUND WIRE.

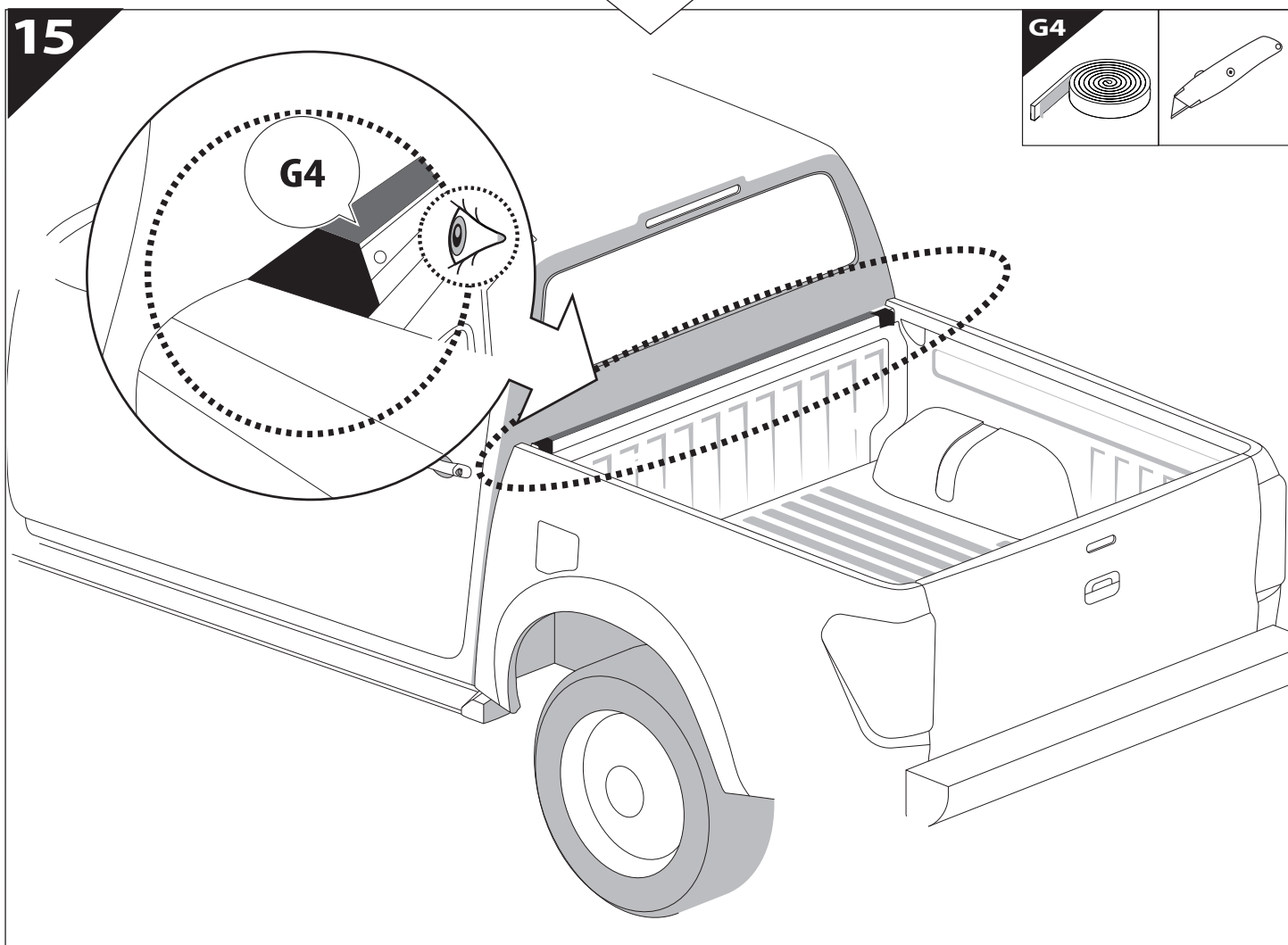
14

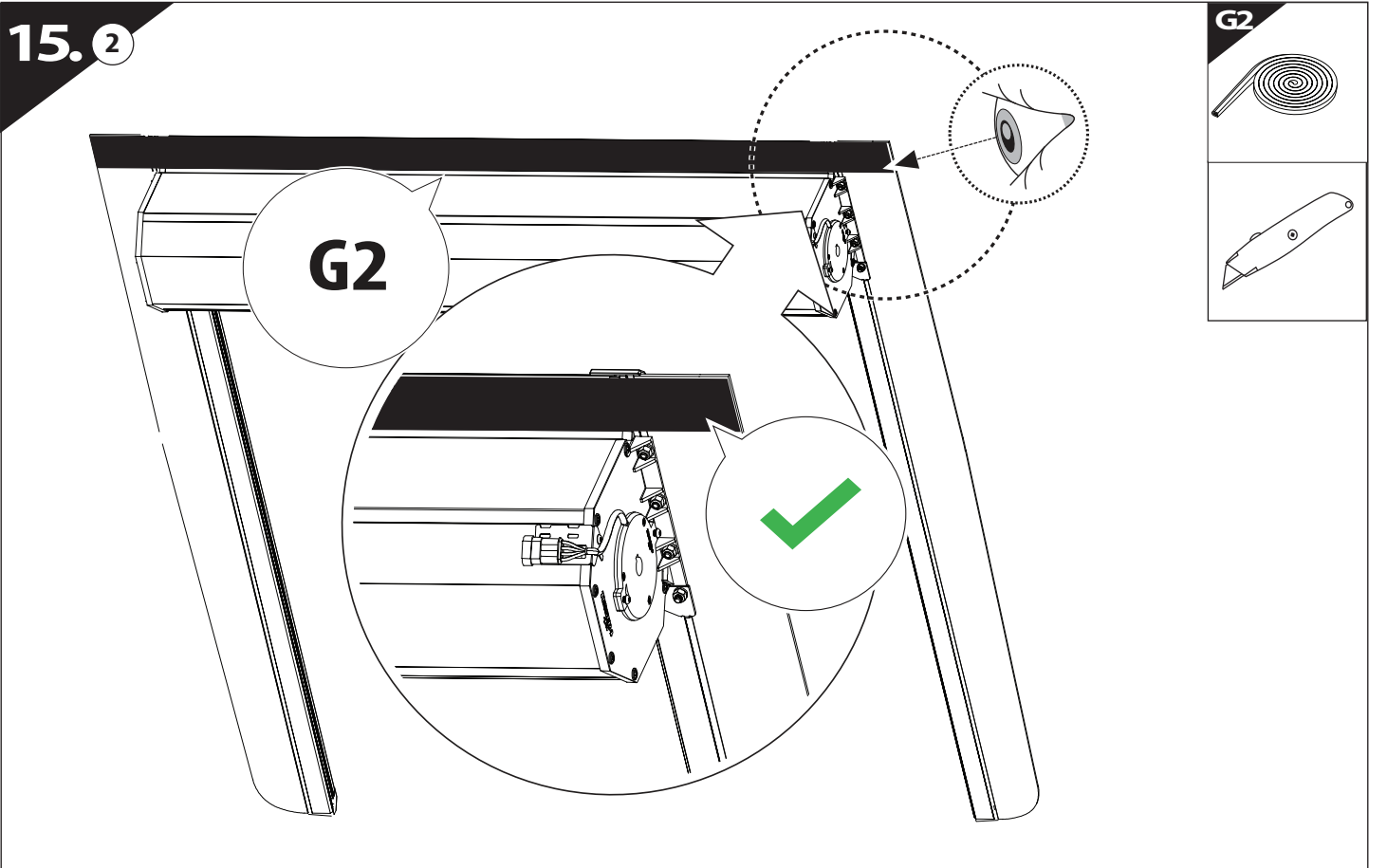
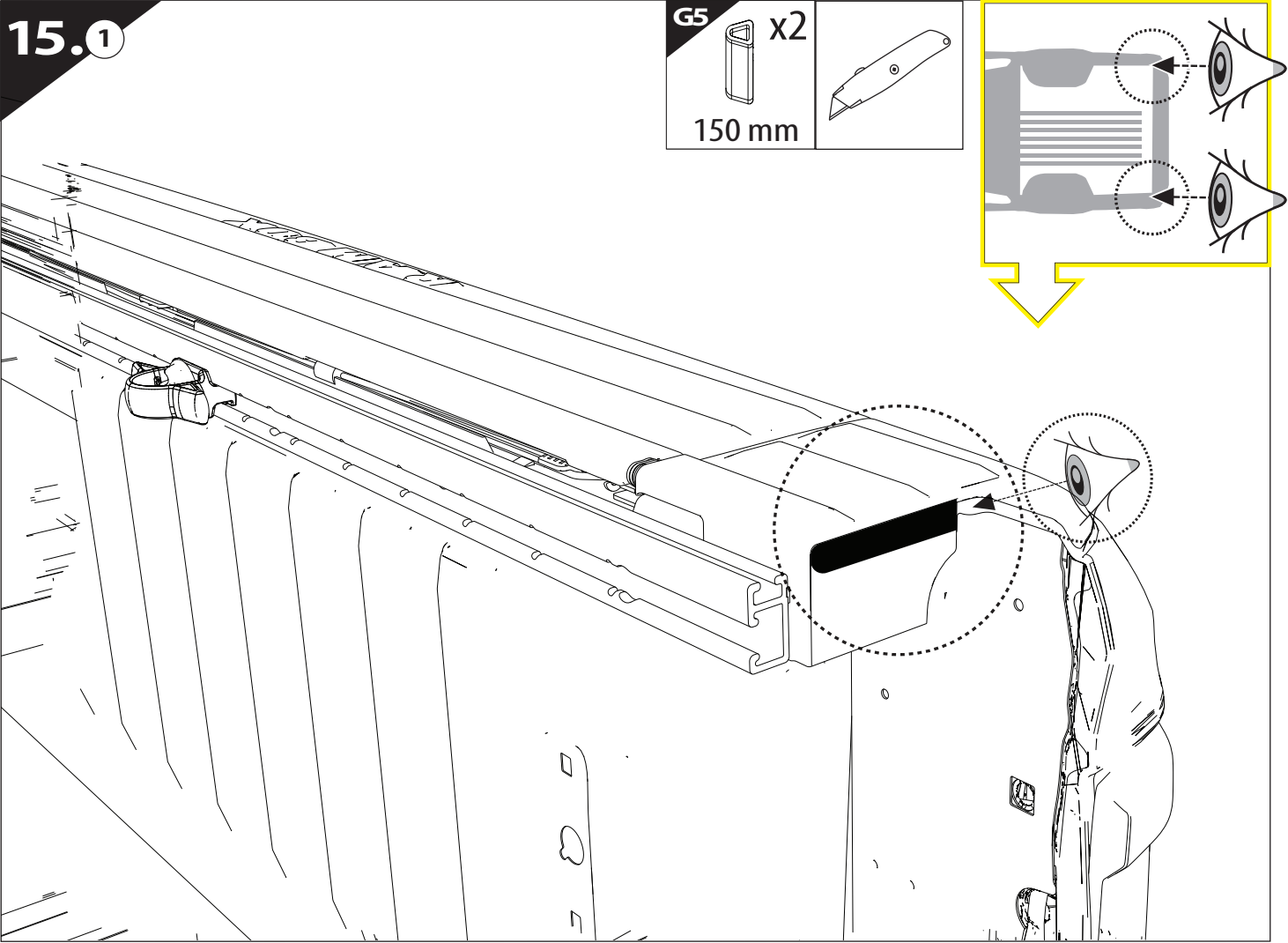
G3

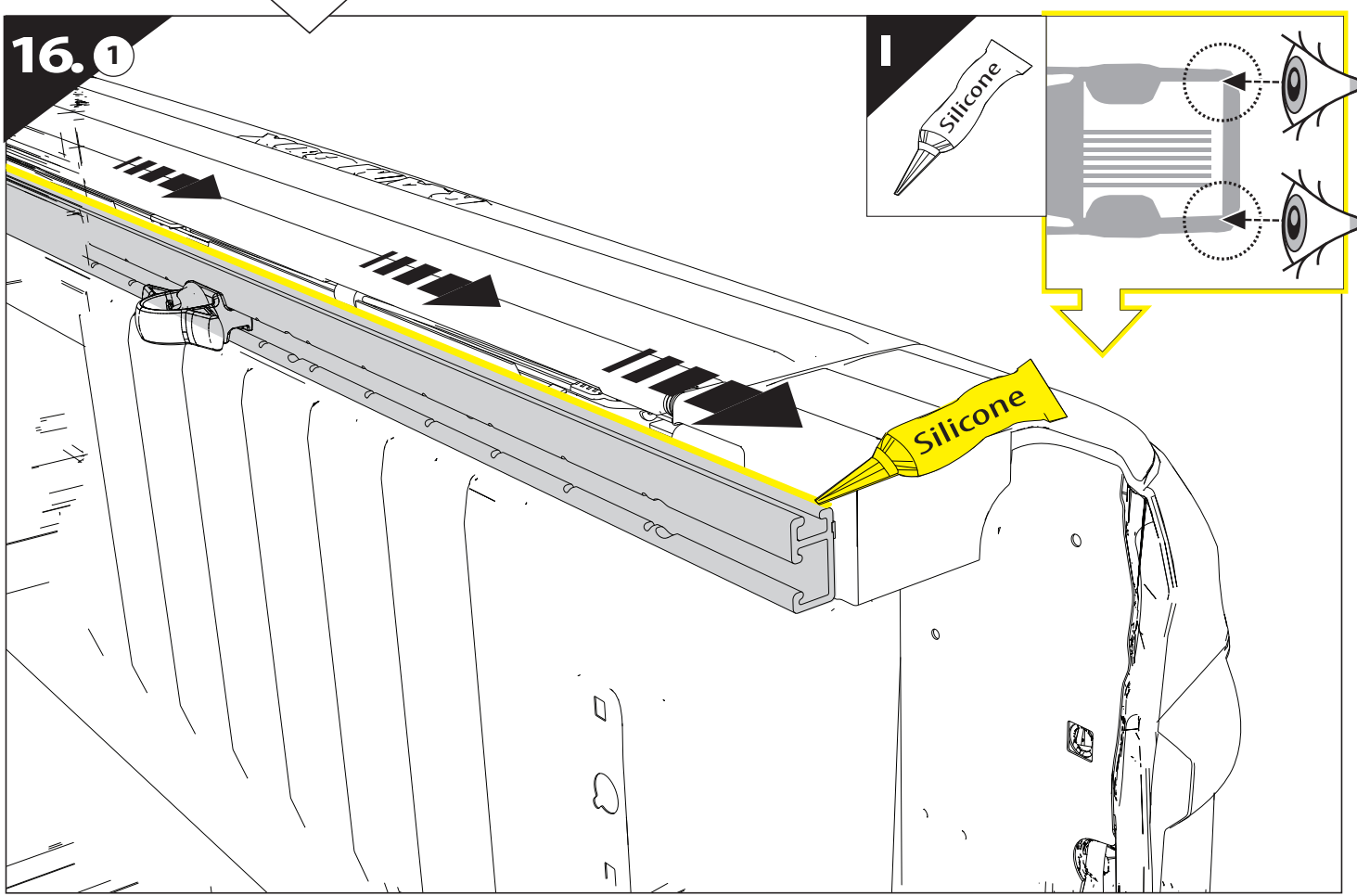
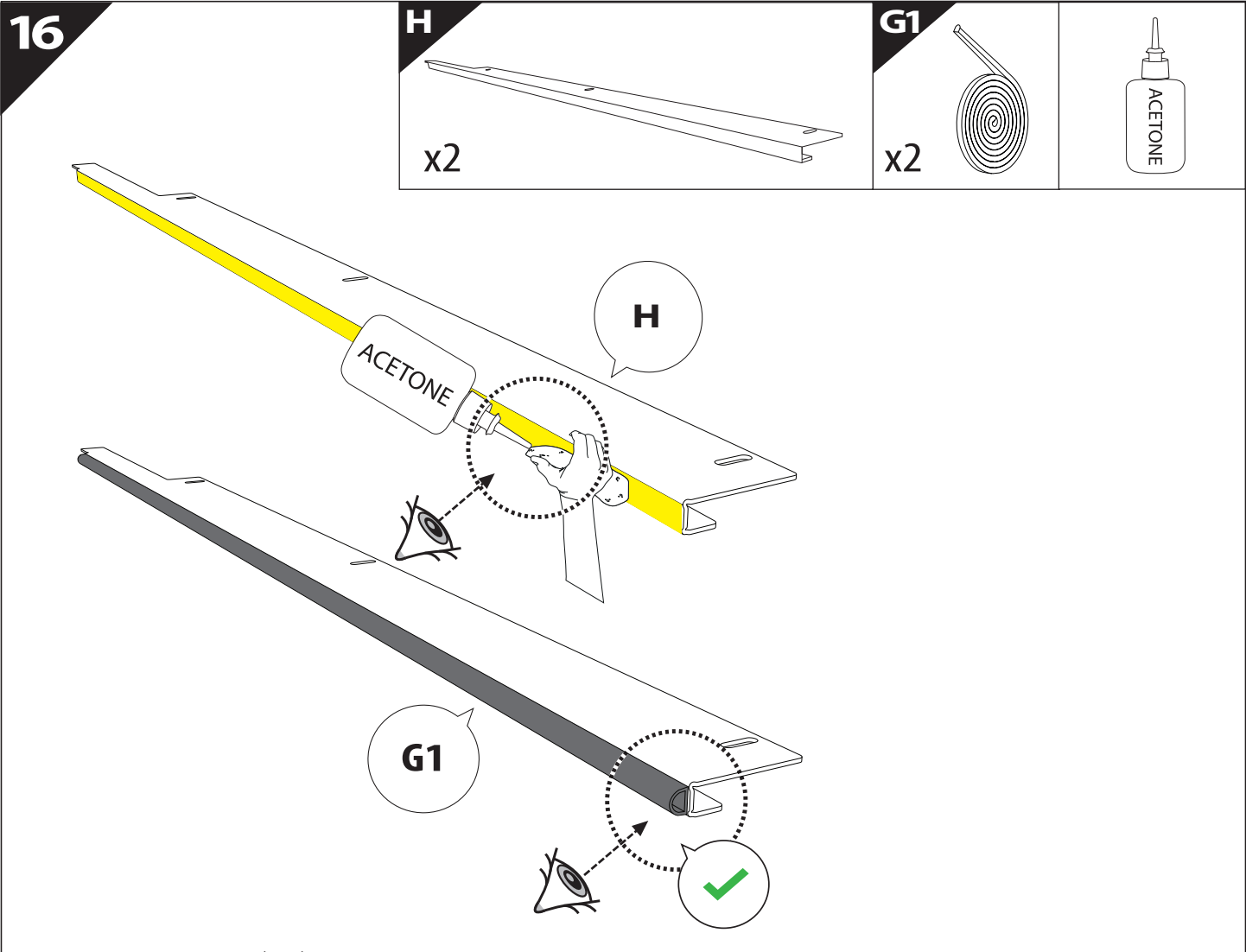


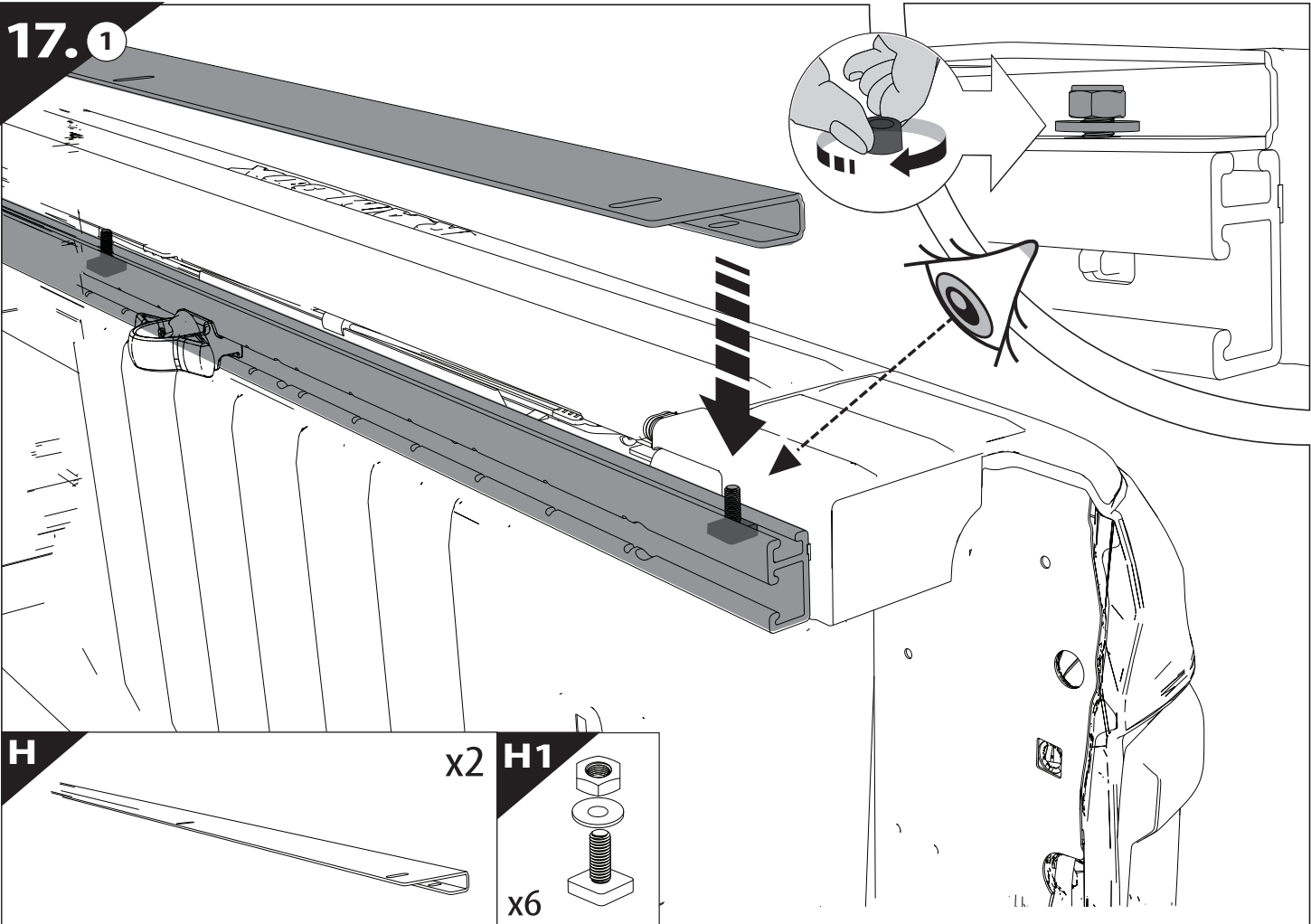
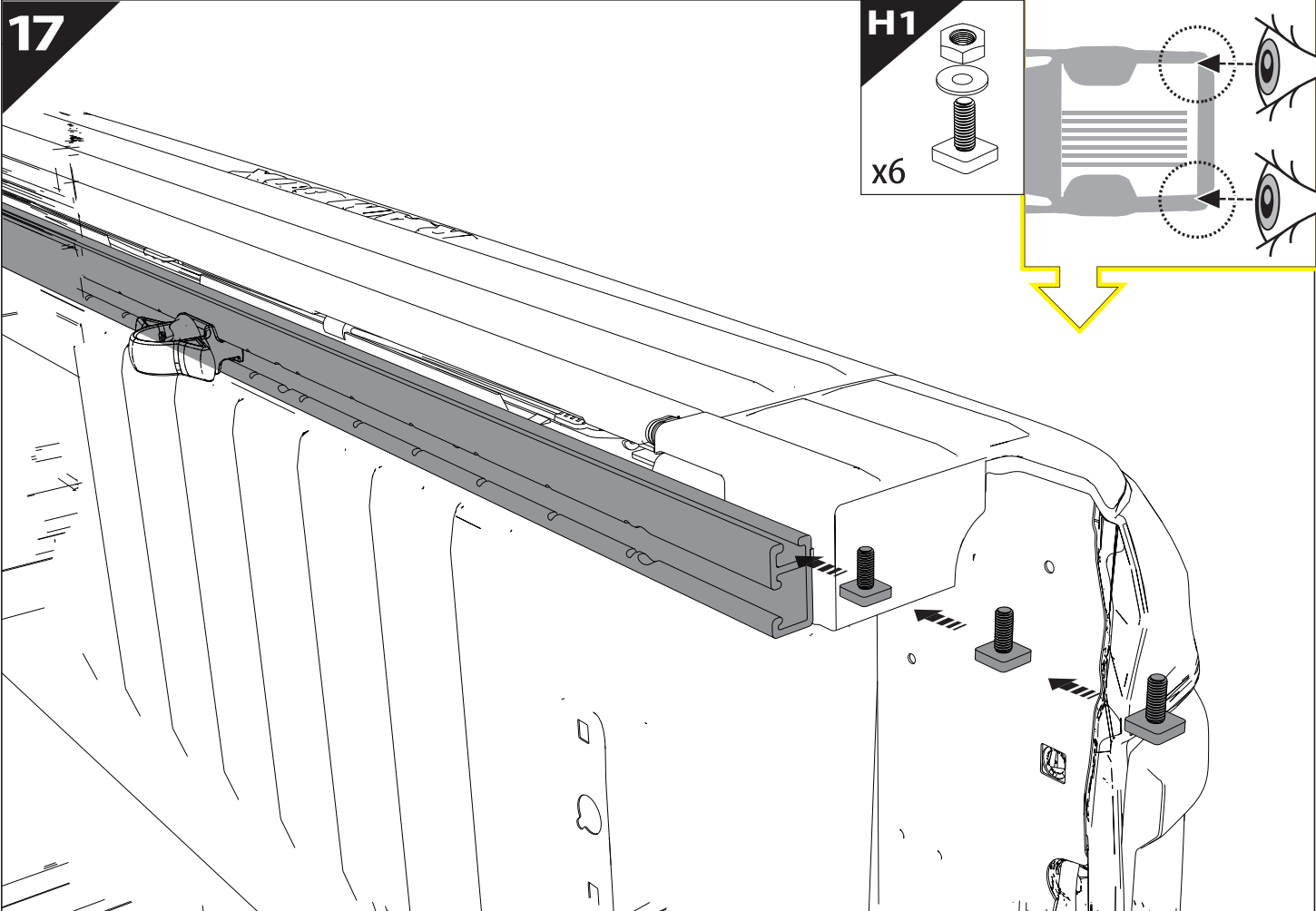
15

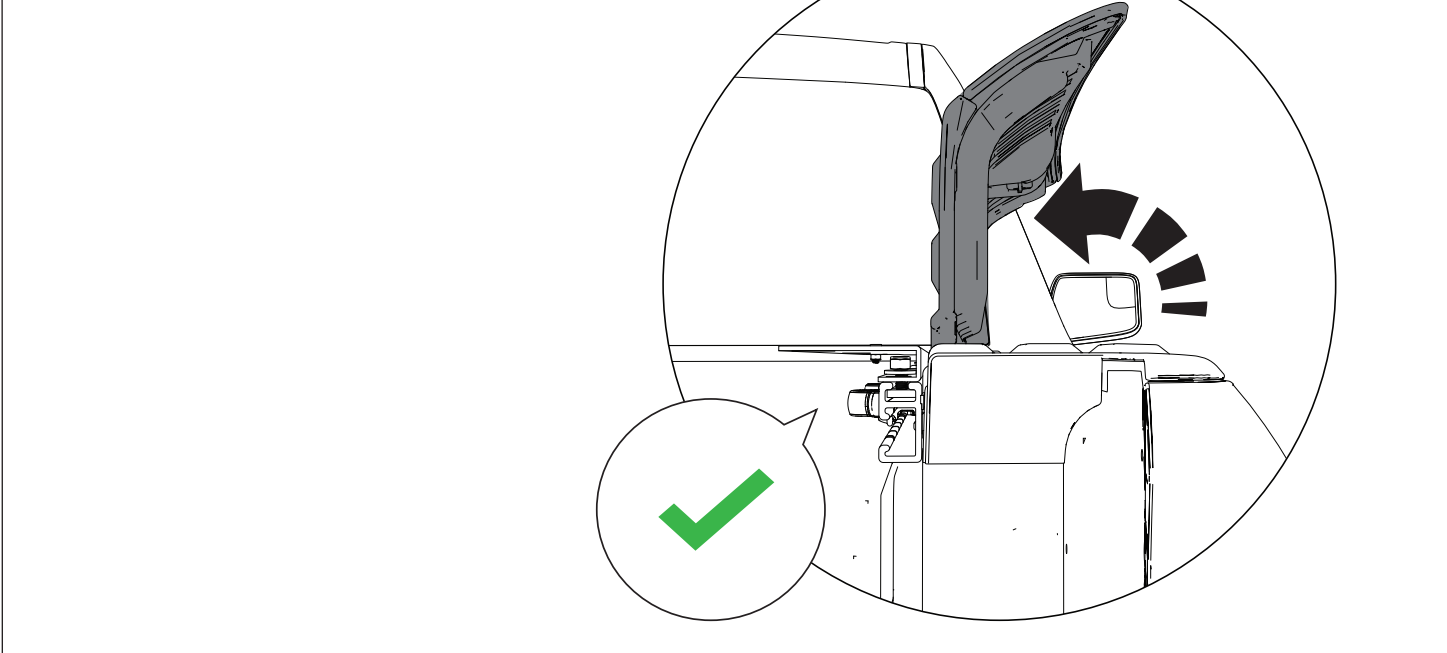
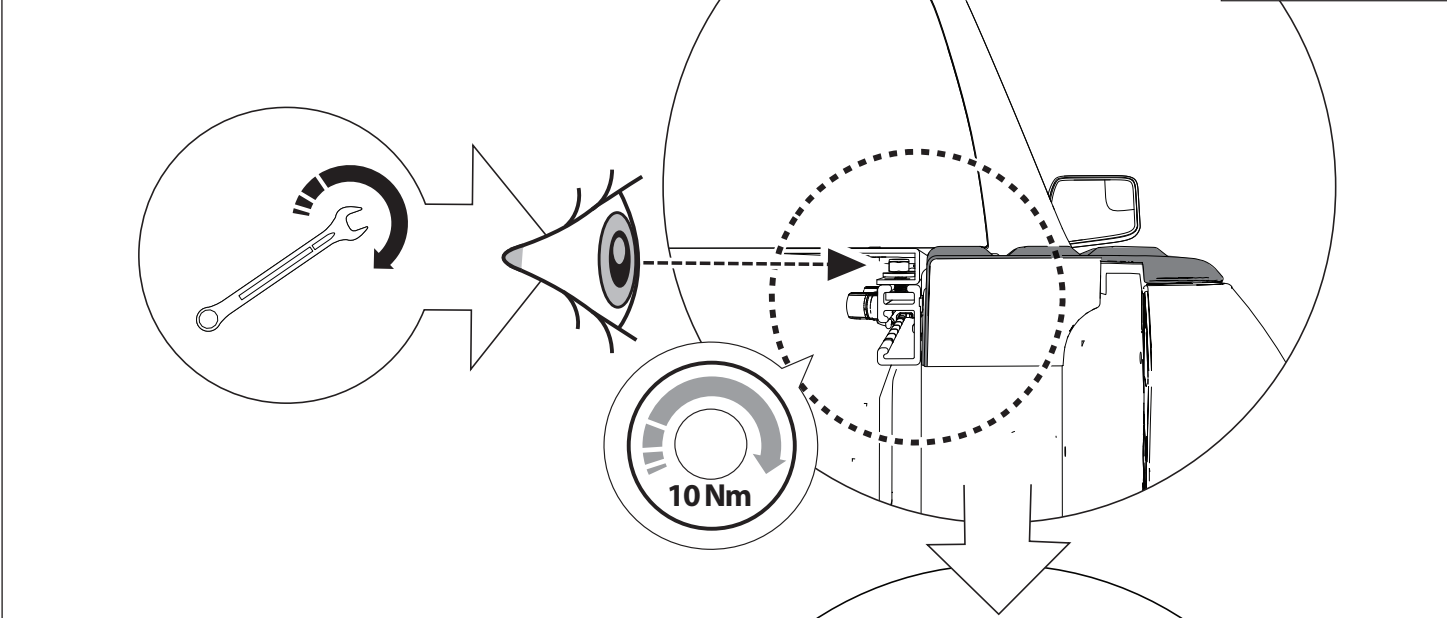
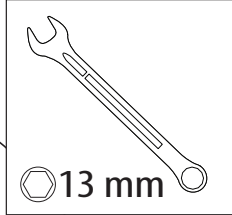
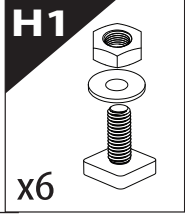
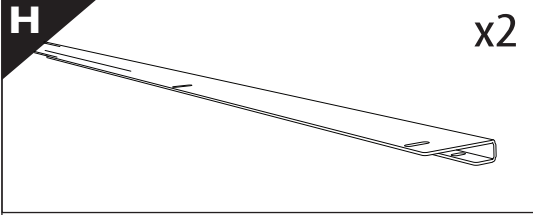
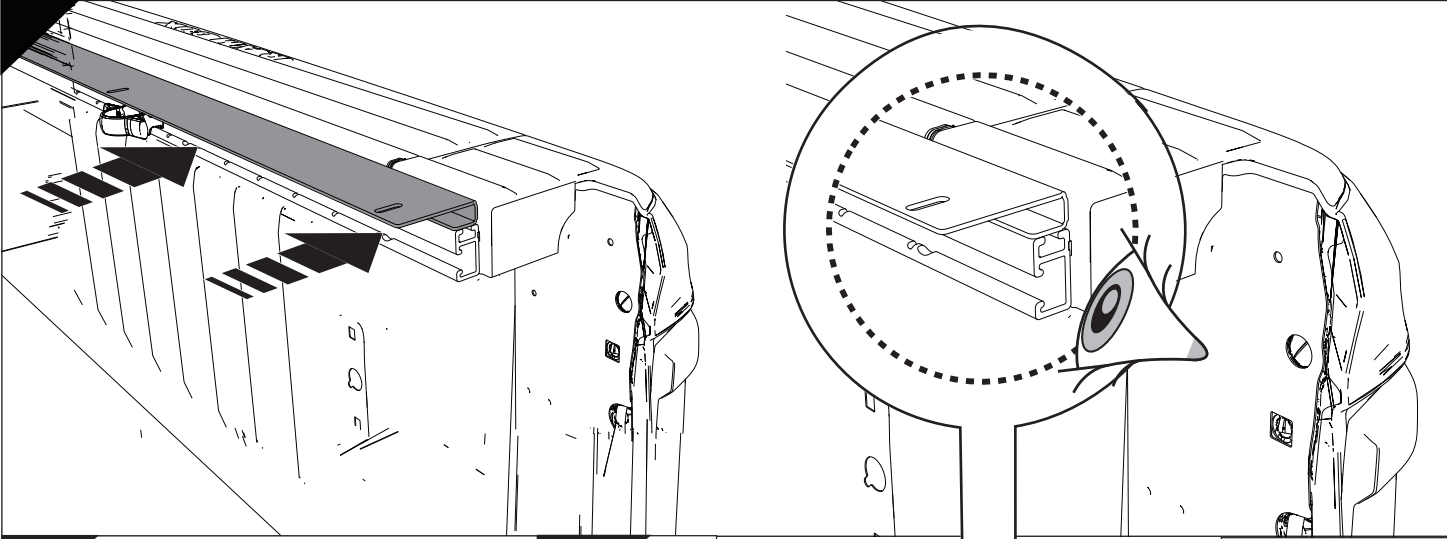
G4

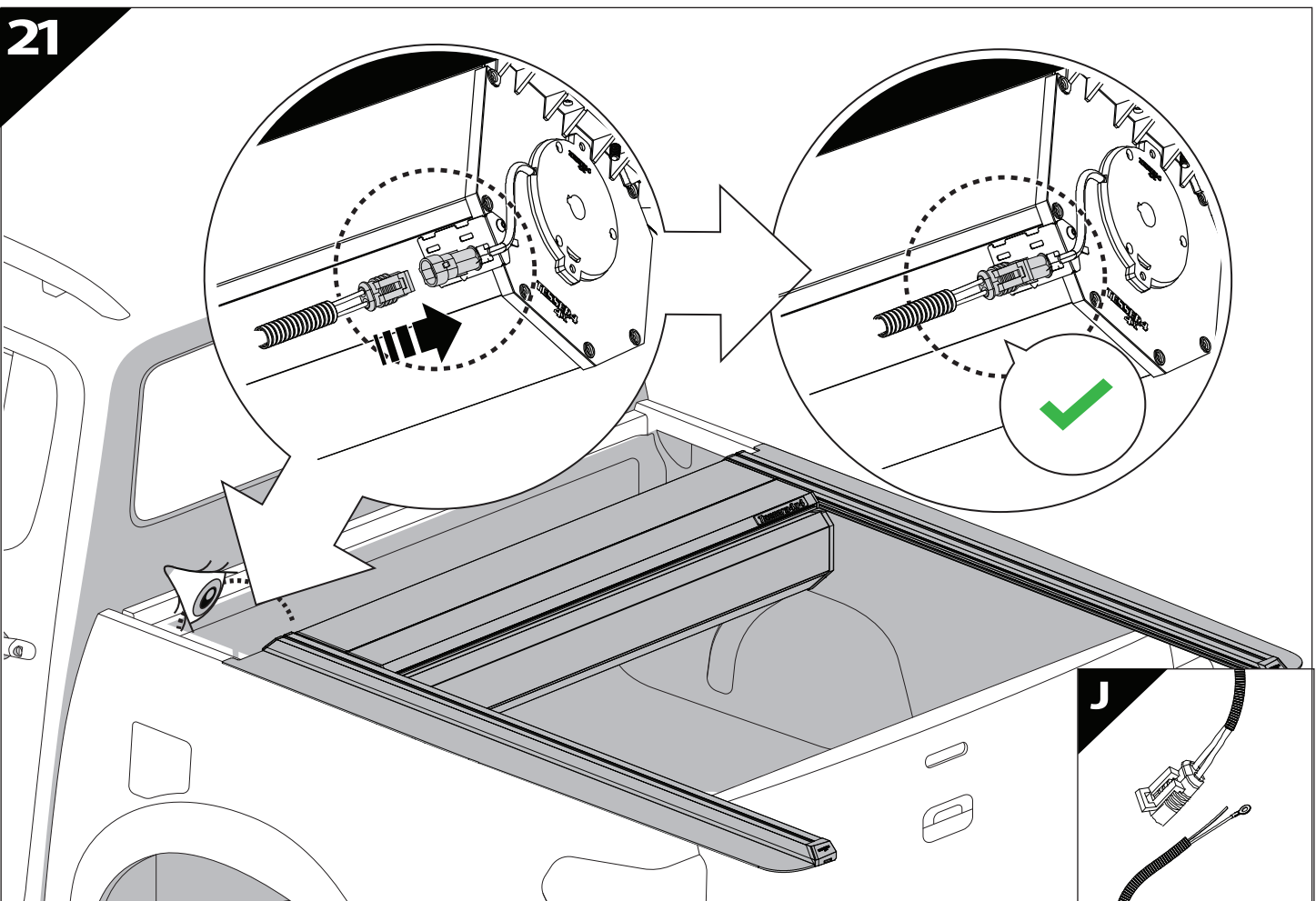
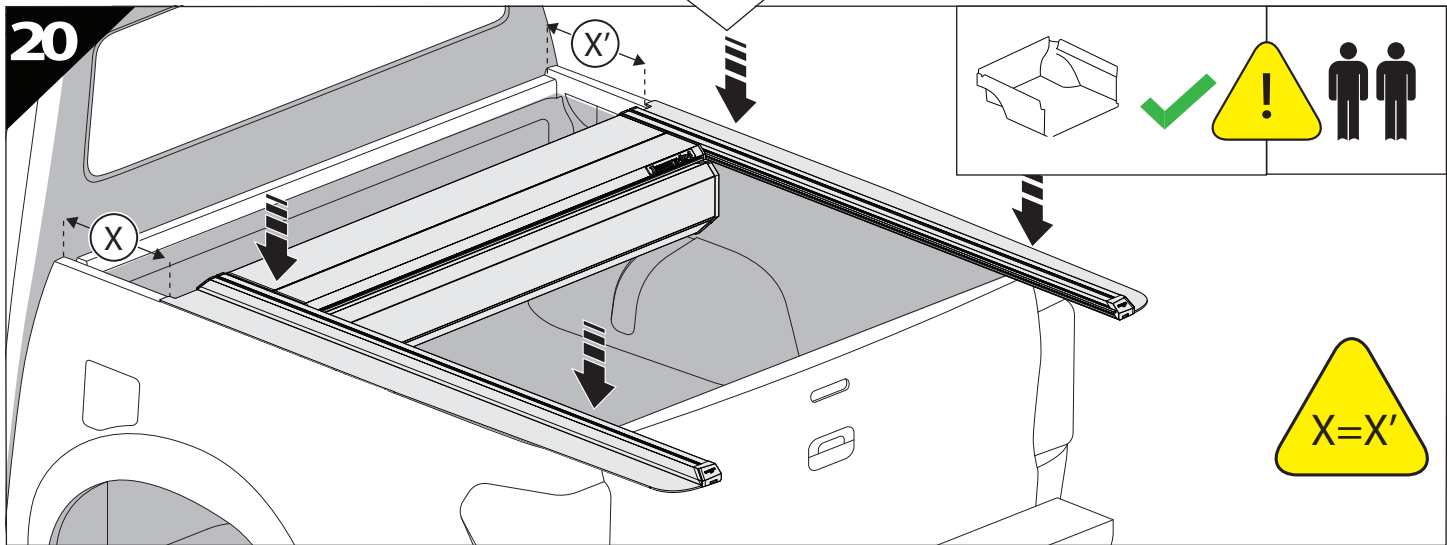
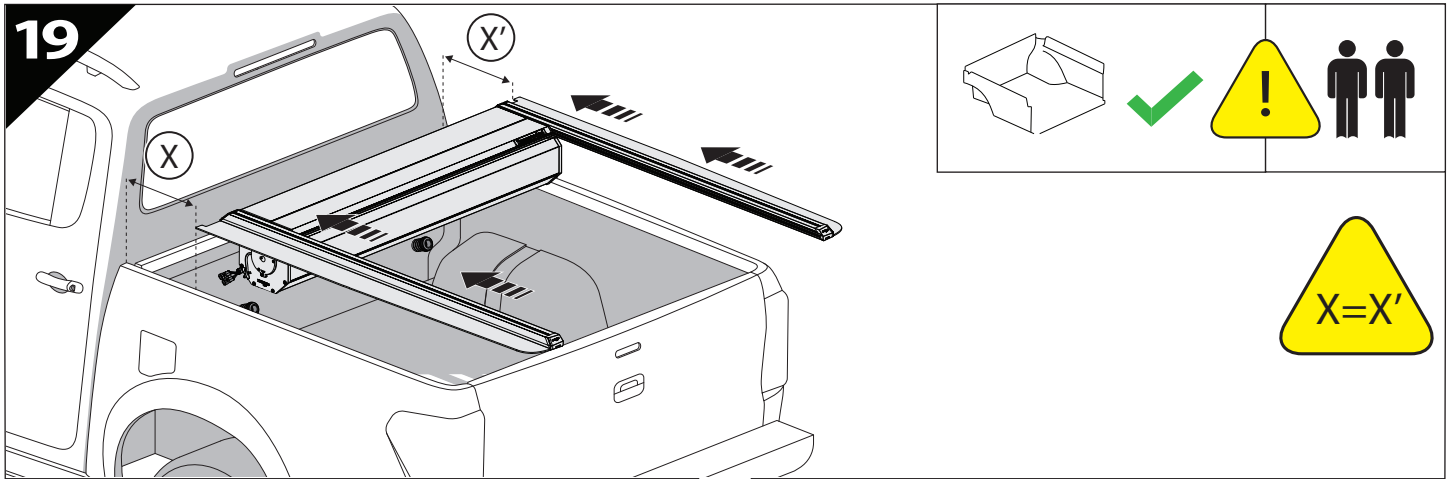




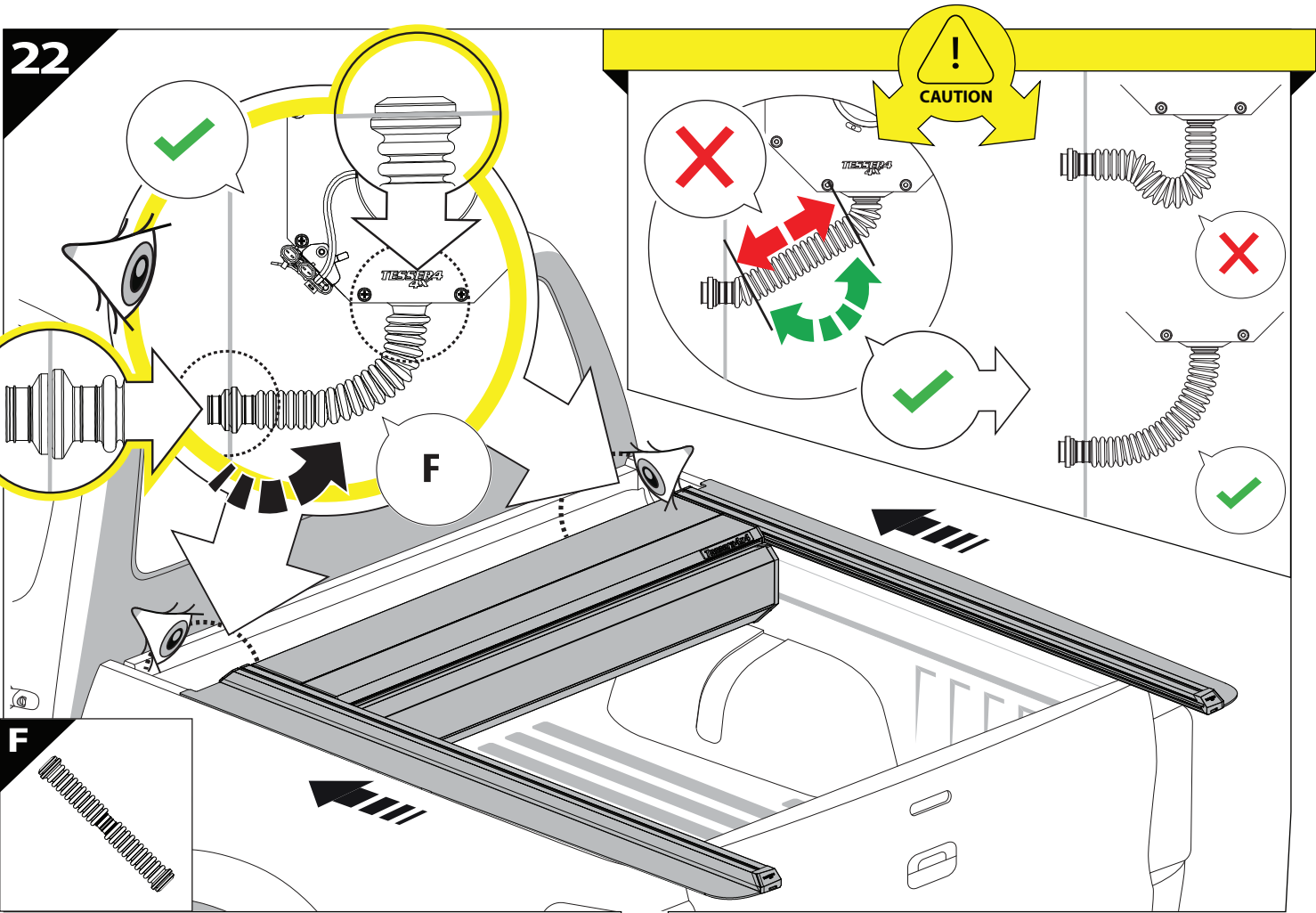




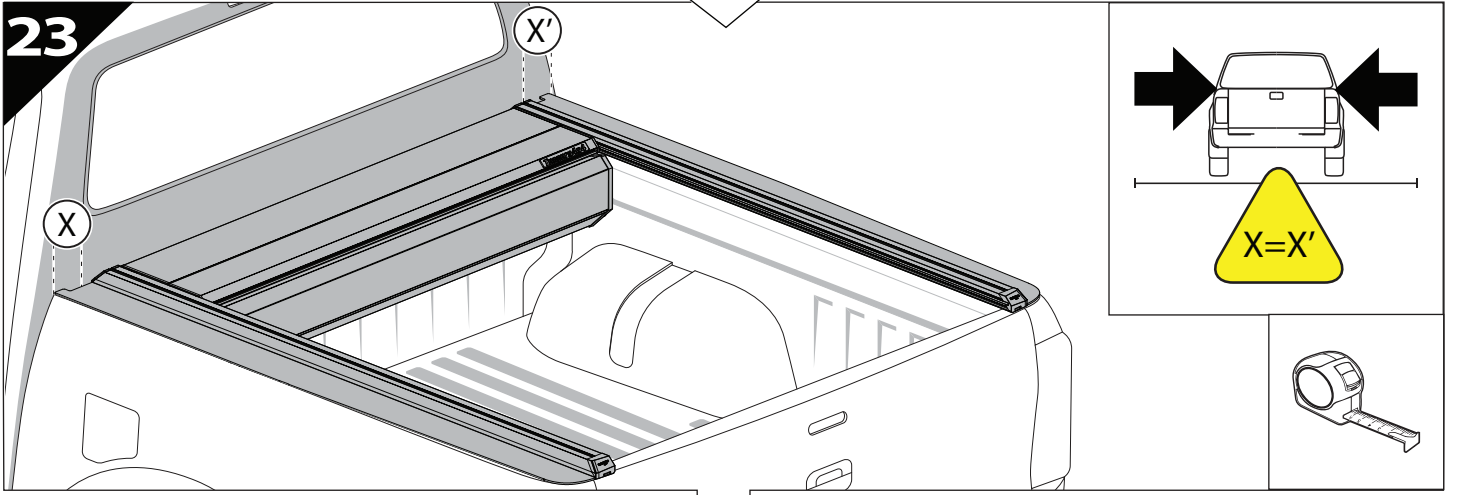




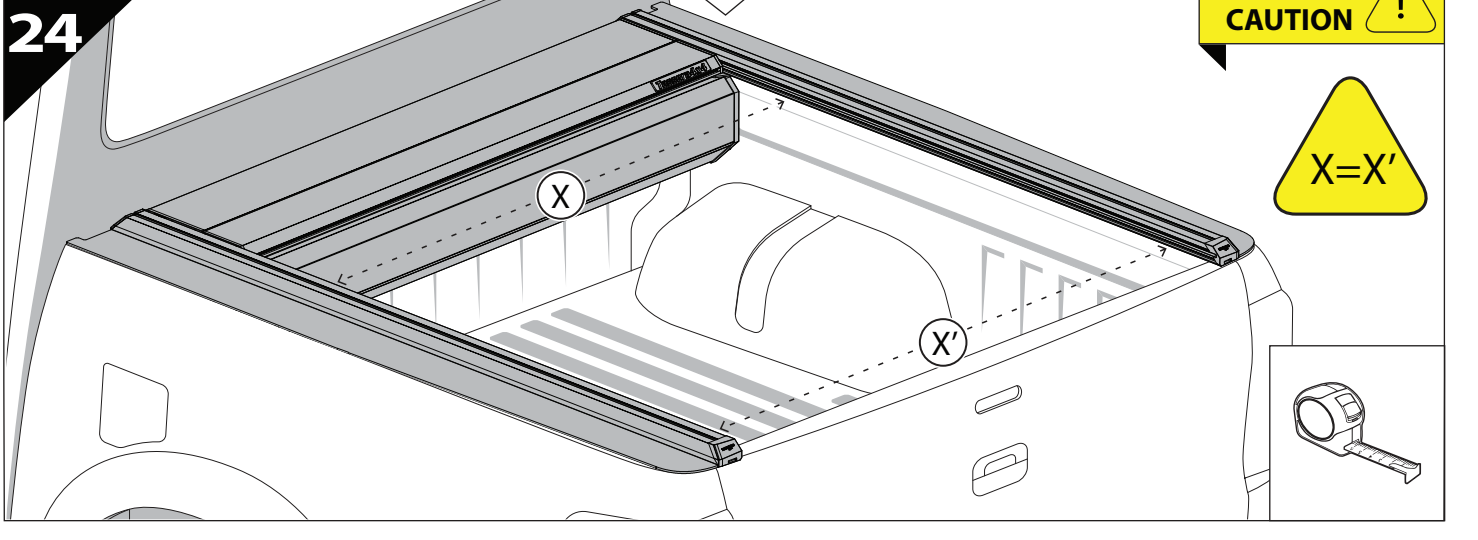
22



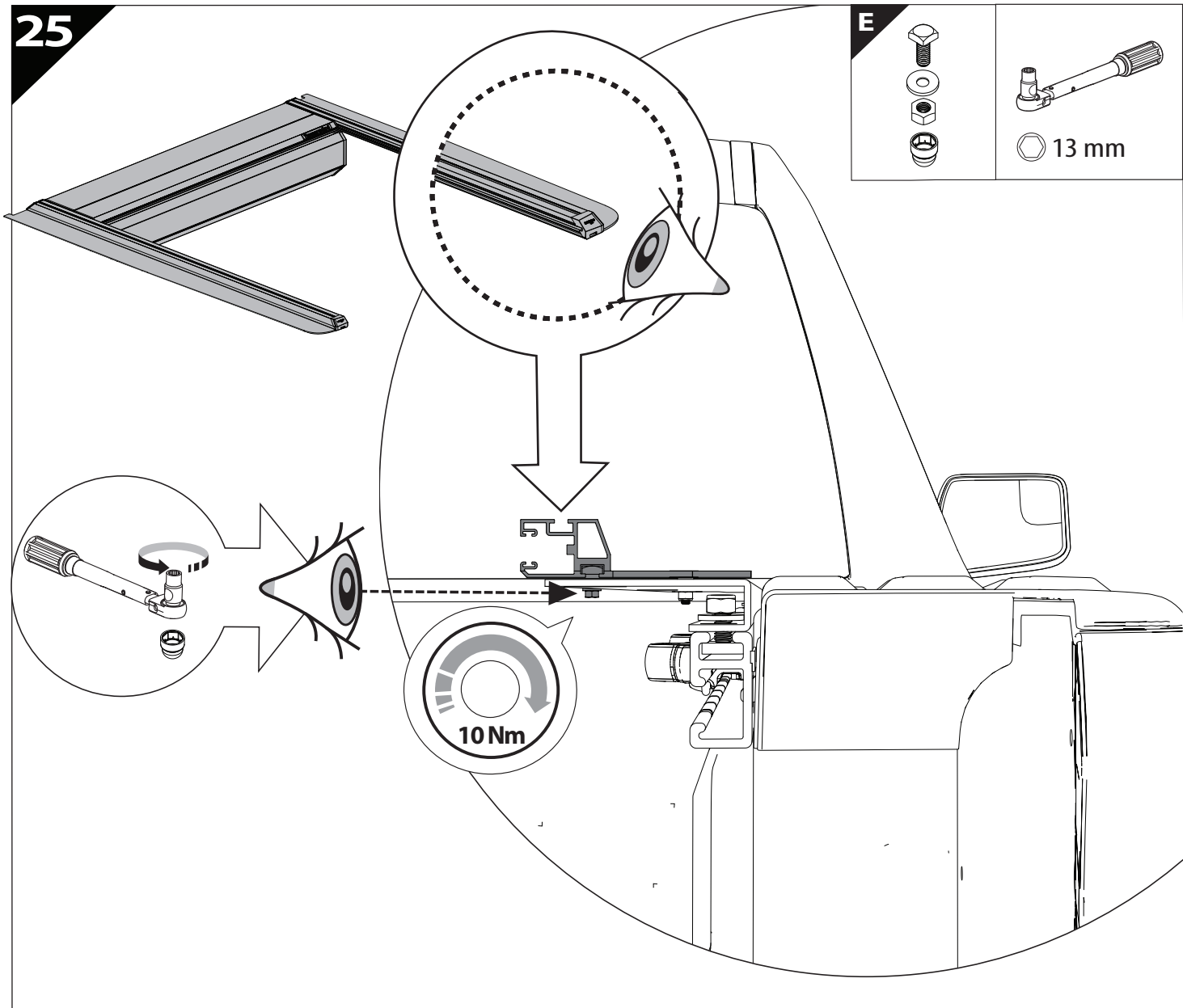
23

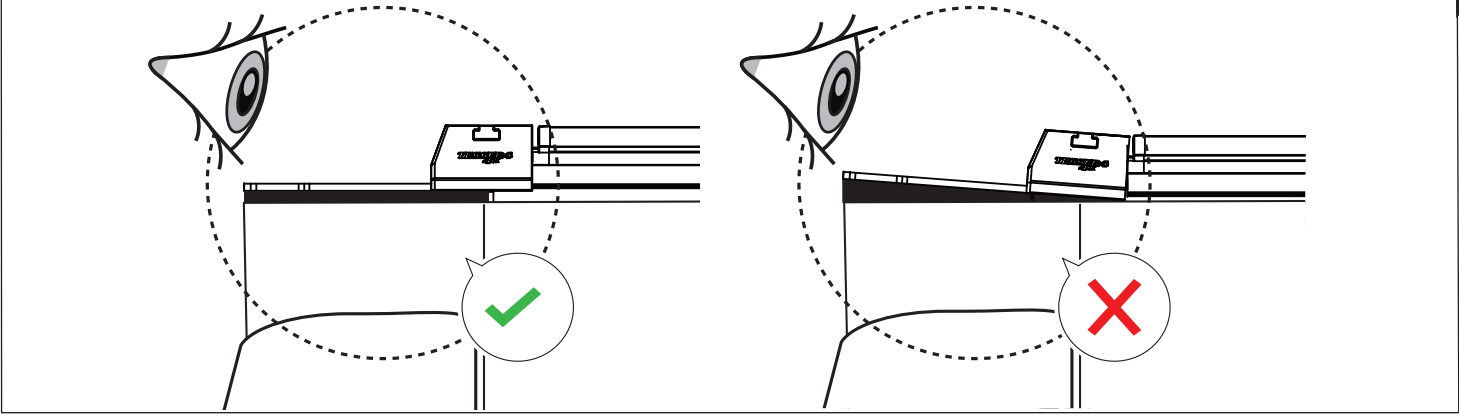
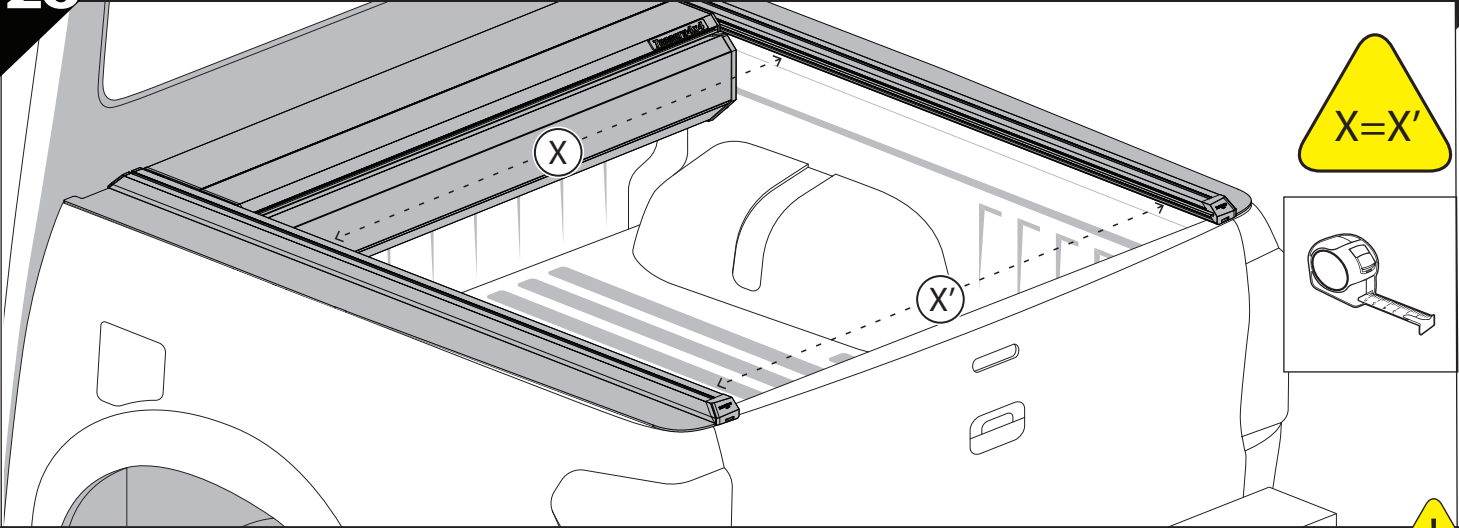


24

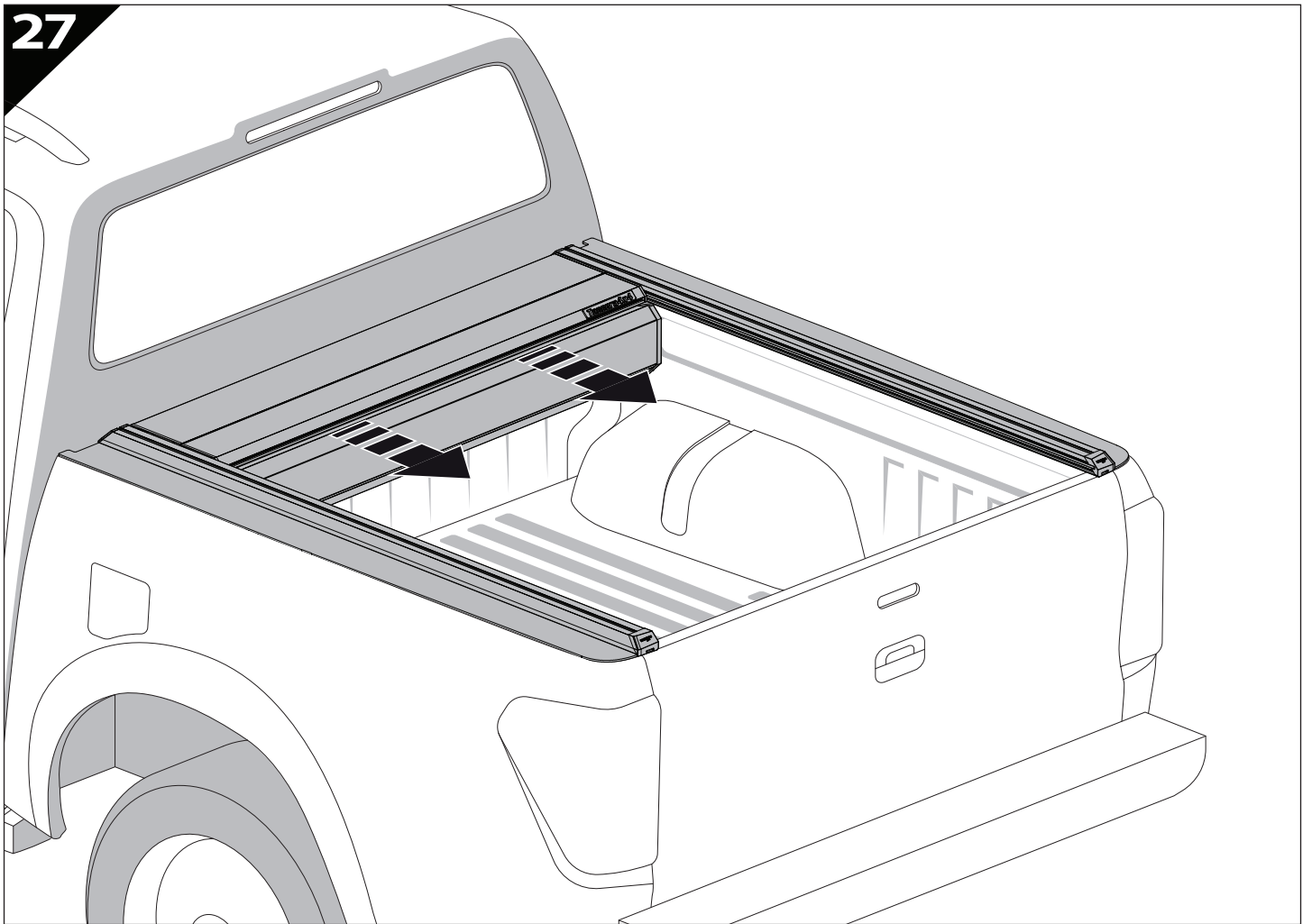


25

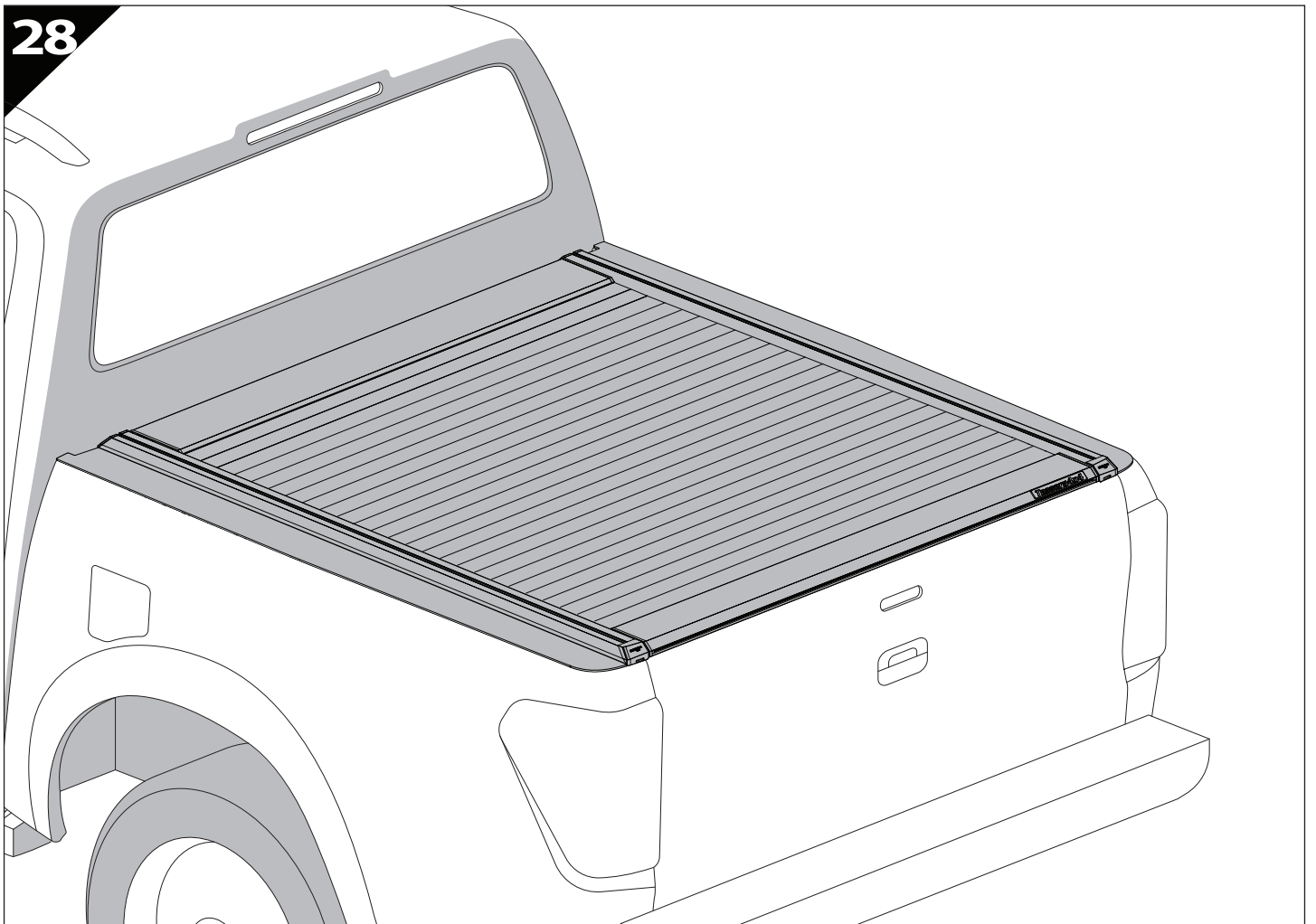




27



28





GR: Οδηγίες Εγκατάστασης
GB: Installation manual
SF: Asennusohje
F: Notice de montage
PL: Instrukcja montażu
NL: Installatie-instructies
TR: Montaj Talimatı
S: Monteringsanvisning
E: Instrucciones de montaje

H: Szerelési utasítás
P: Instruções de instalação
RUS: Инструкция по установке
N: Monteringsveiledning
D: Einbauanleitung
CZ: Návod k instalaci
I: Istruzioni de montaggio
DK: Monteringsvejledning
RO: Instructiuni de instalare

Customer Service:

+30 (210) 5541161, +30 (210) 5541154 (08:00 - 16:00 EET)

Support department:

info@gianso.gr

Website:

www.tessera4x4.com

Address:

19.5 km of National road Athens-Korinthos (Elefsina) Greece, P.C: 19200