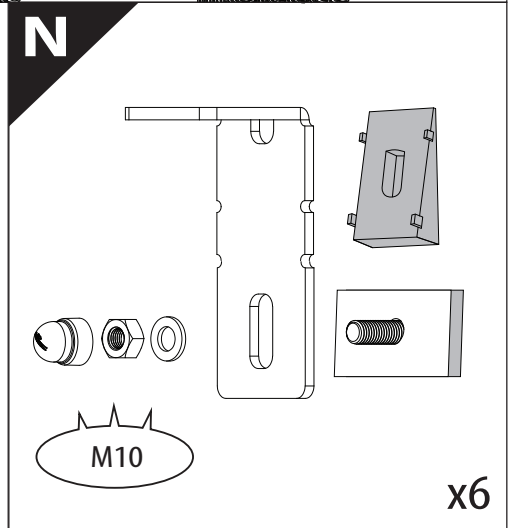
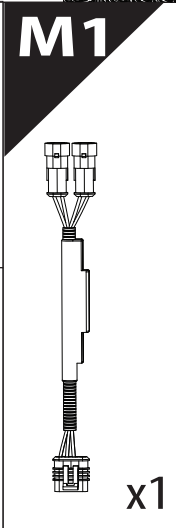
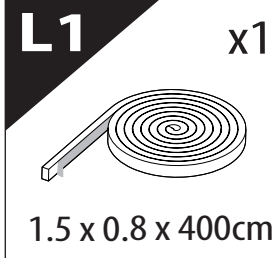
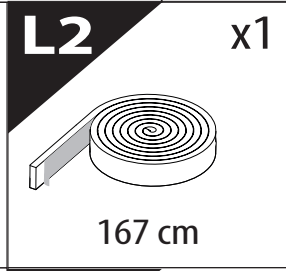
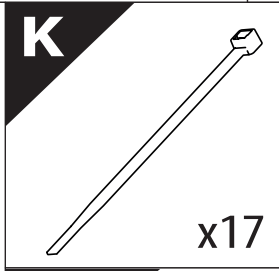
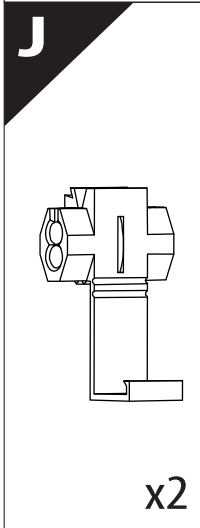
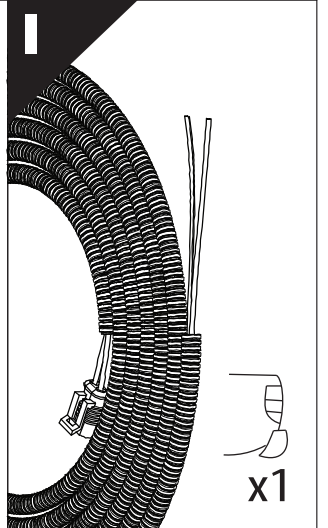
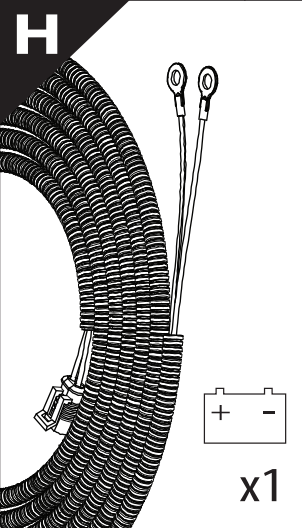
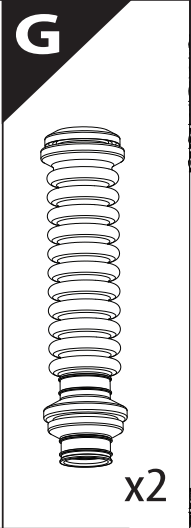
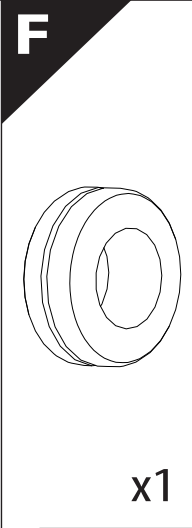
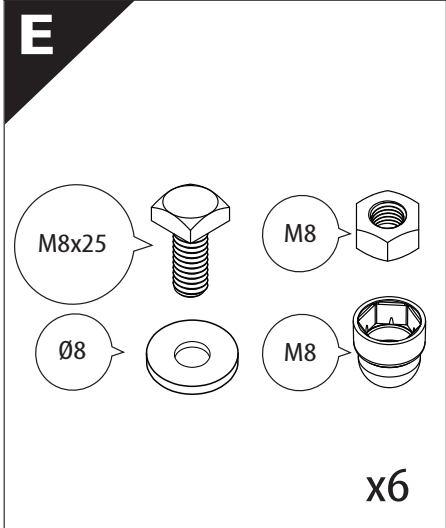
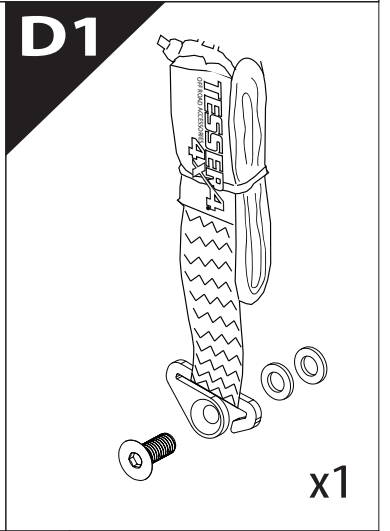
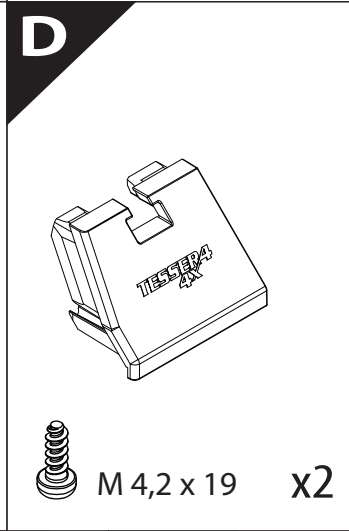
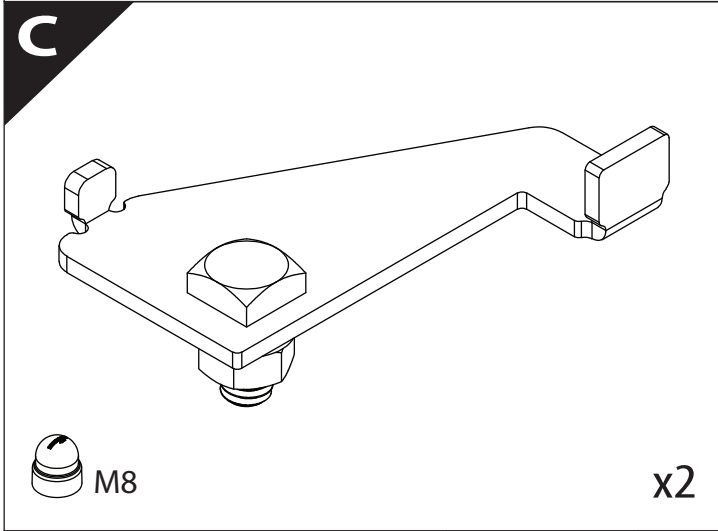
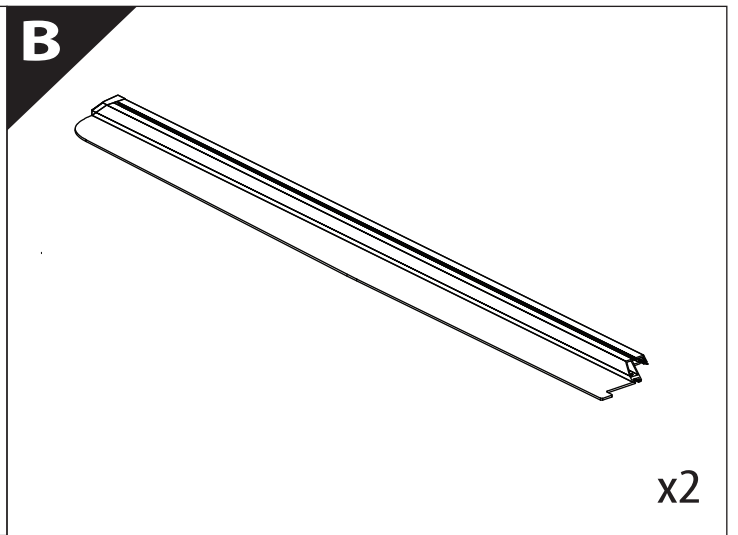
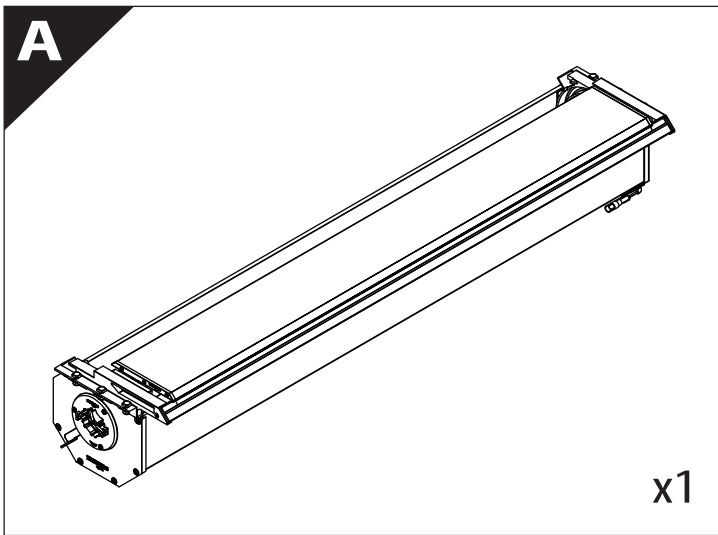


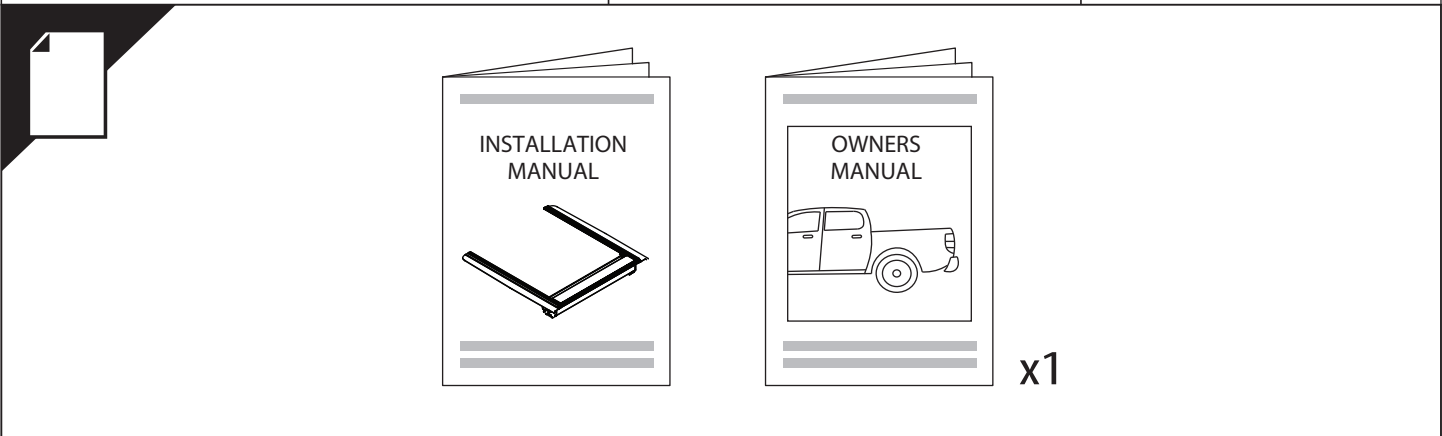
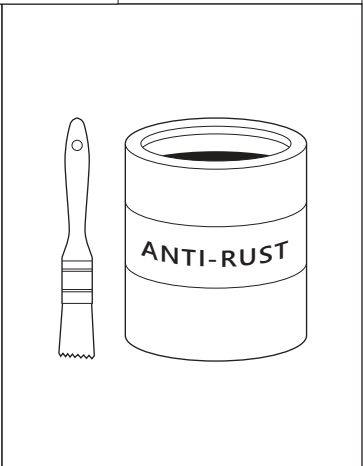
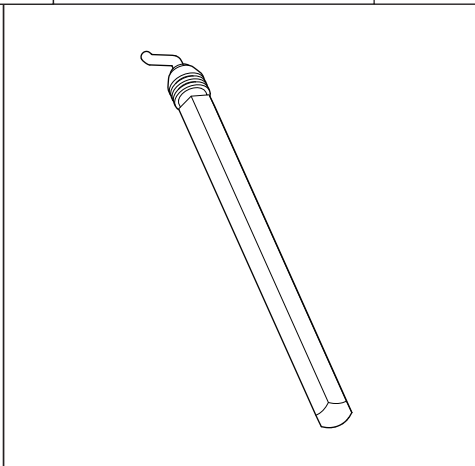
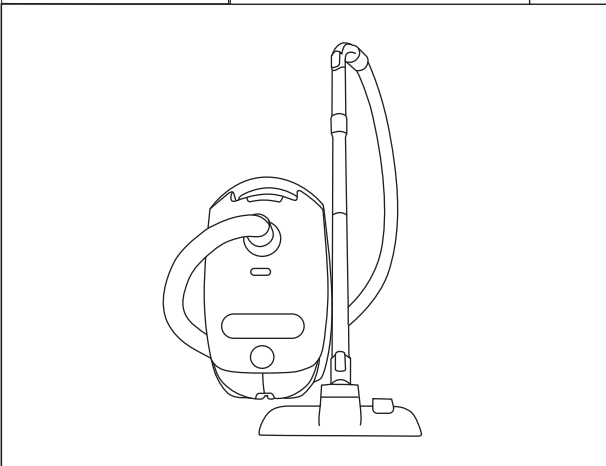
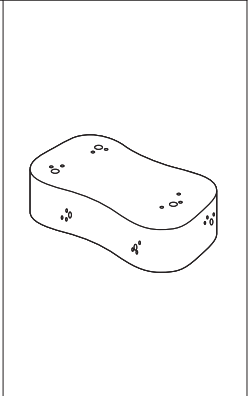
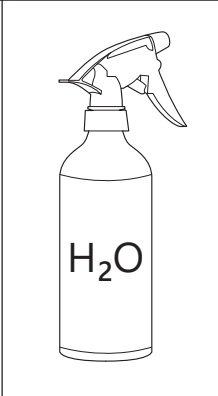
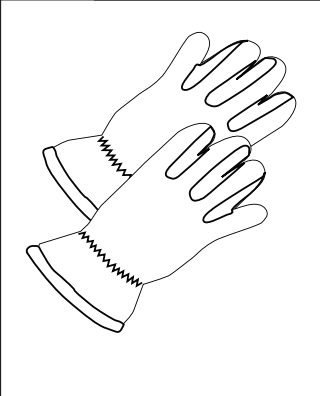
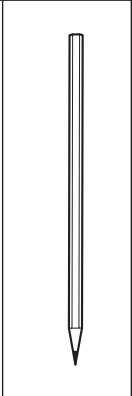
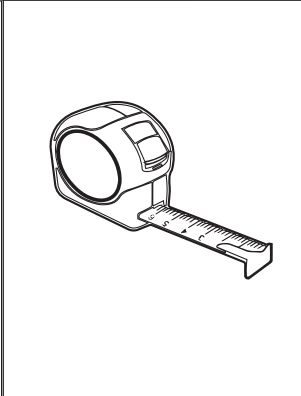
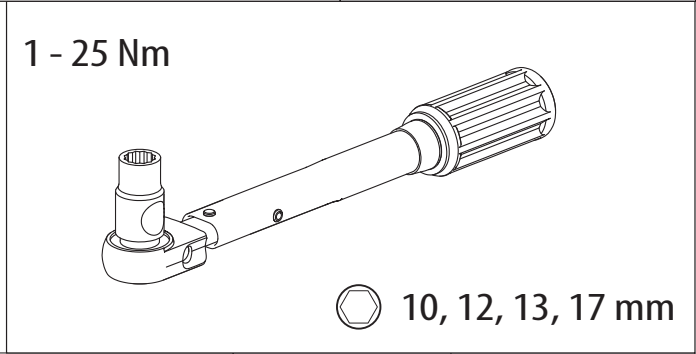
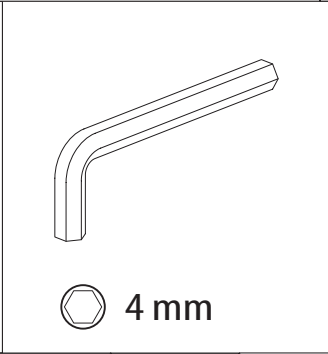
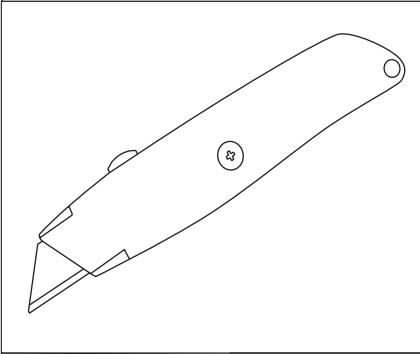
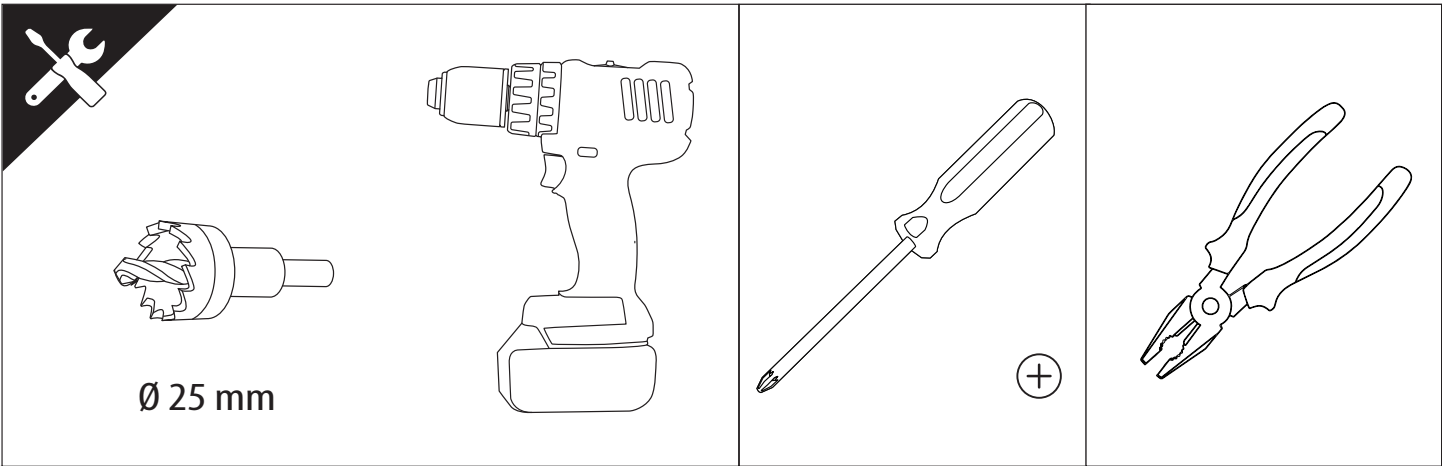


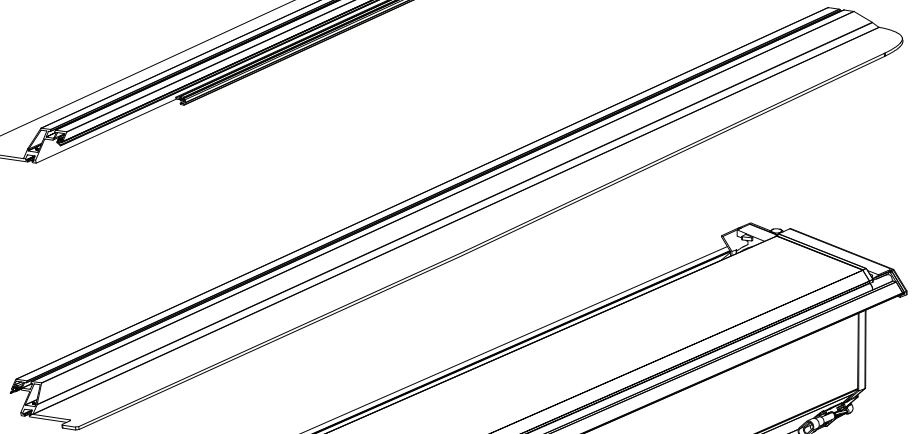
## Installation Manual

PART NUMBER(S)	Model Year
TESS 1433 ROLL	Toyota Tacoma 2024+
TESS 14331 ROLL	
Cab(s)	Installation Time / Weight
5 Feet & 6 Feet	40-60 minutes / 53-57 kg

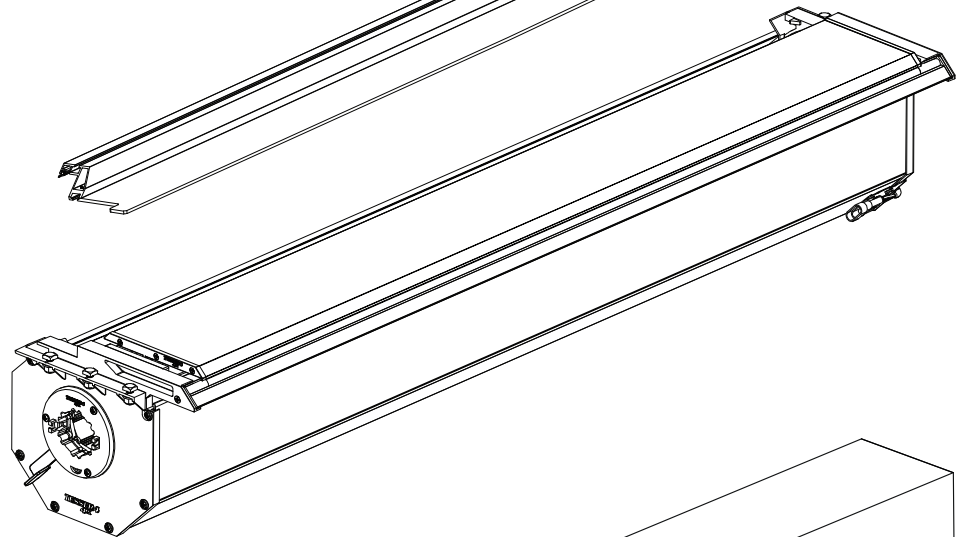








**B**



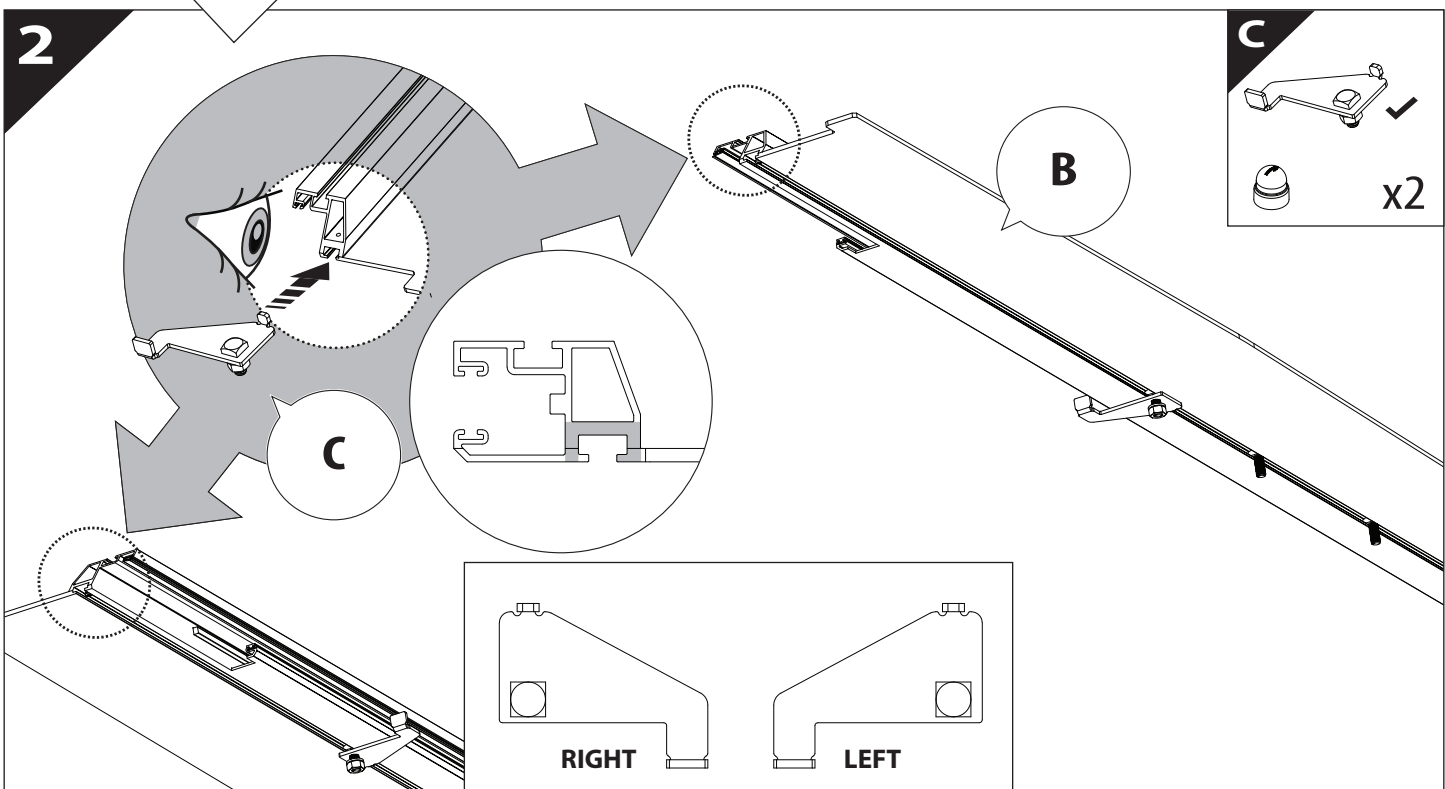
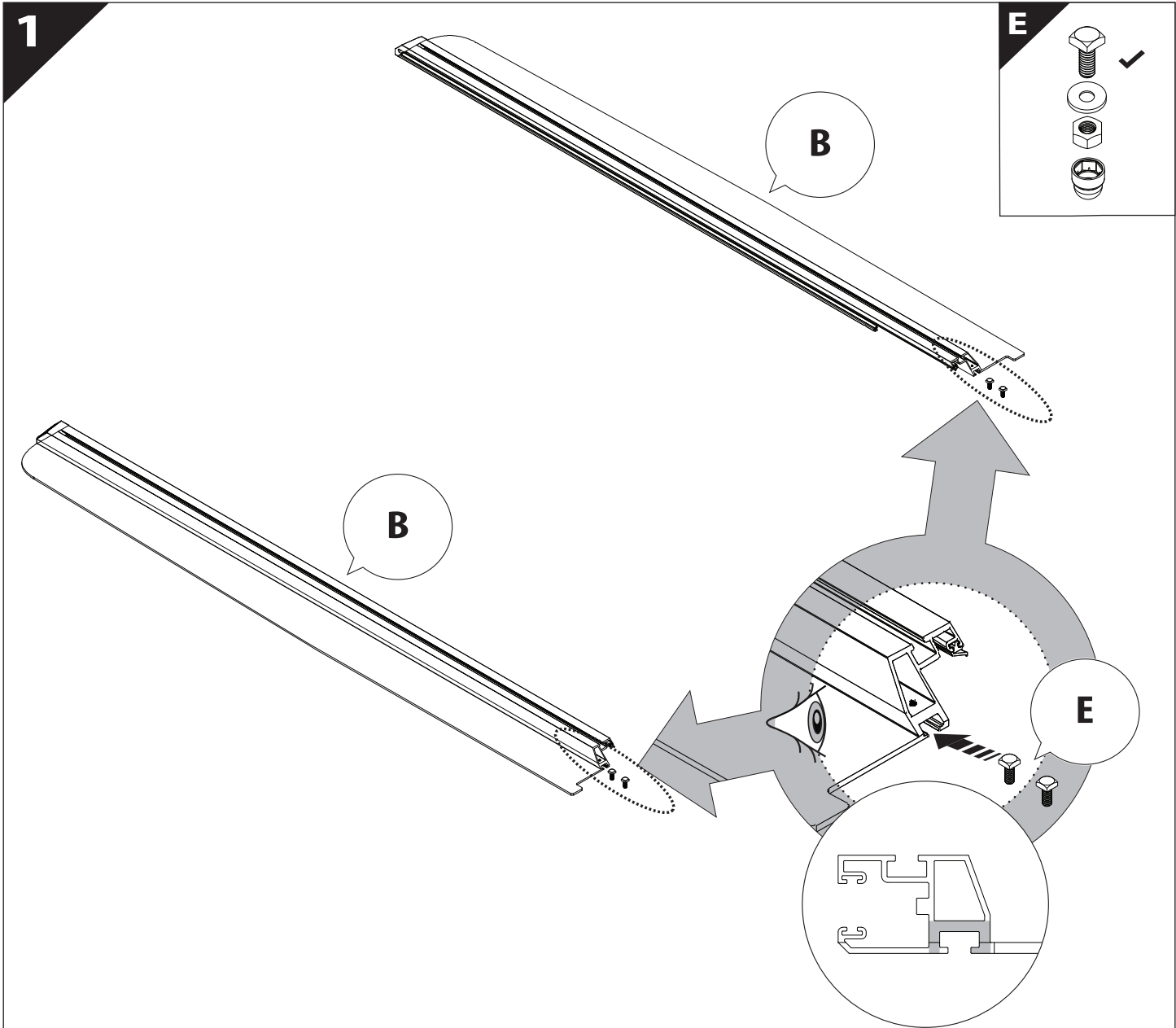
**A**

**KITS**

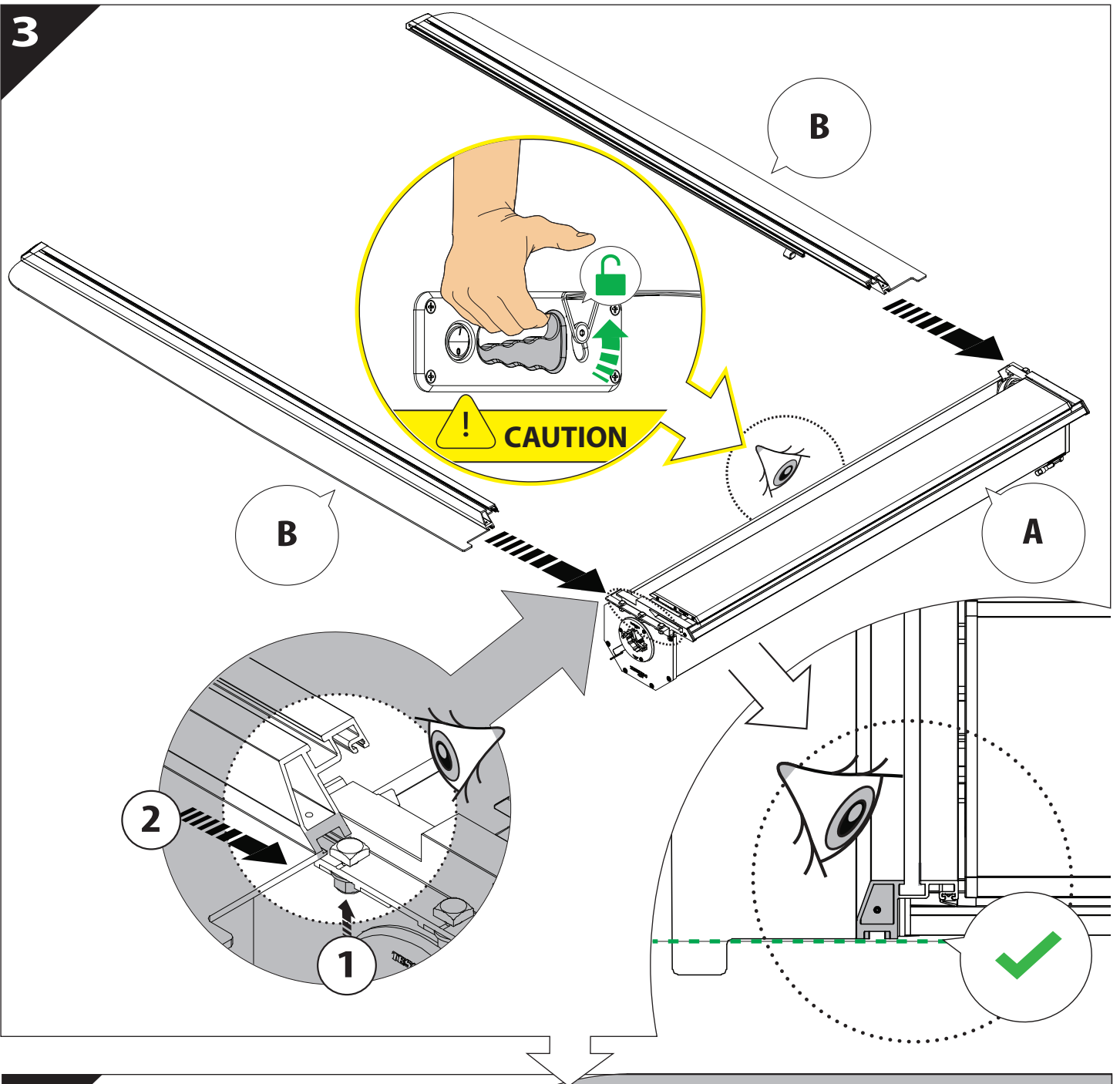


**L**



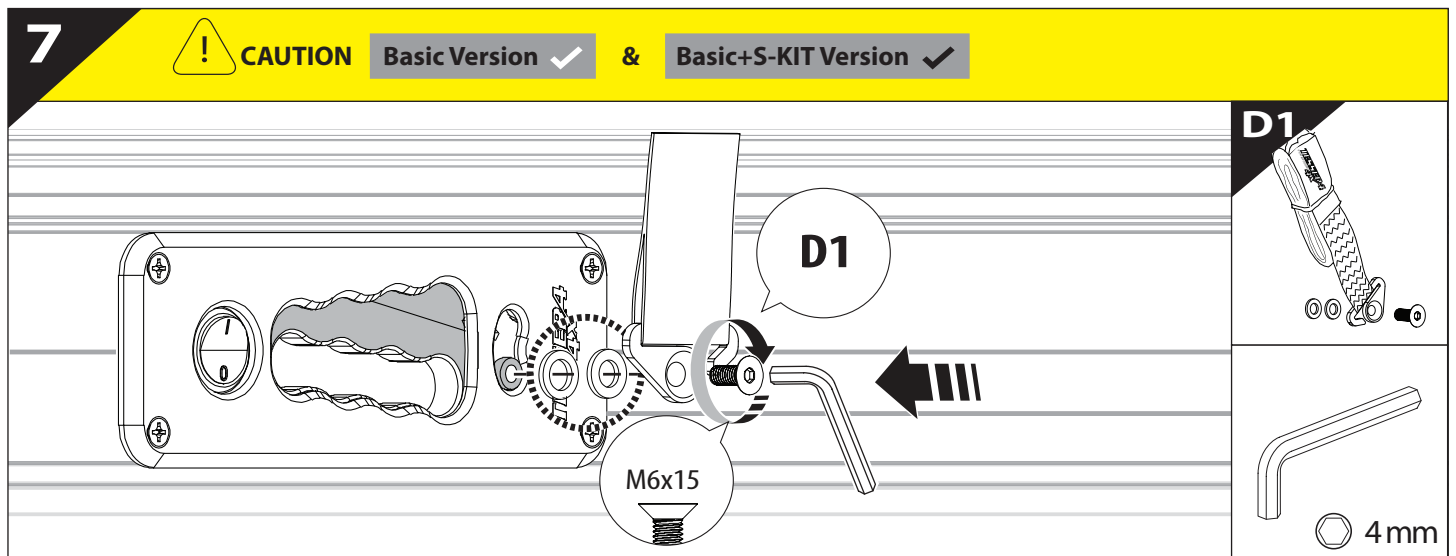
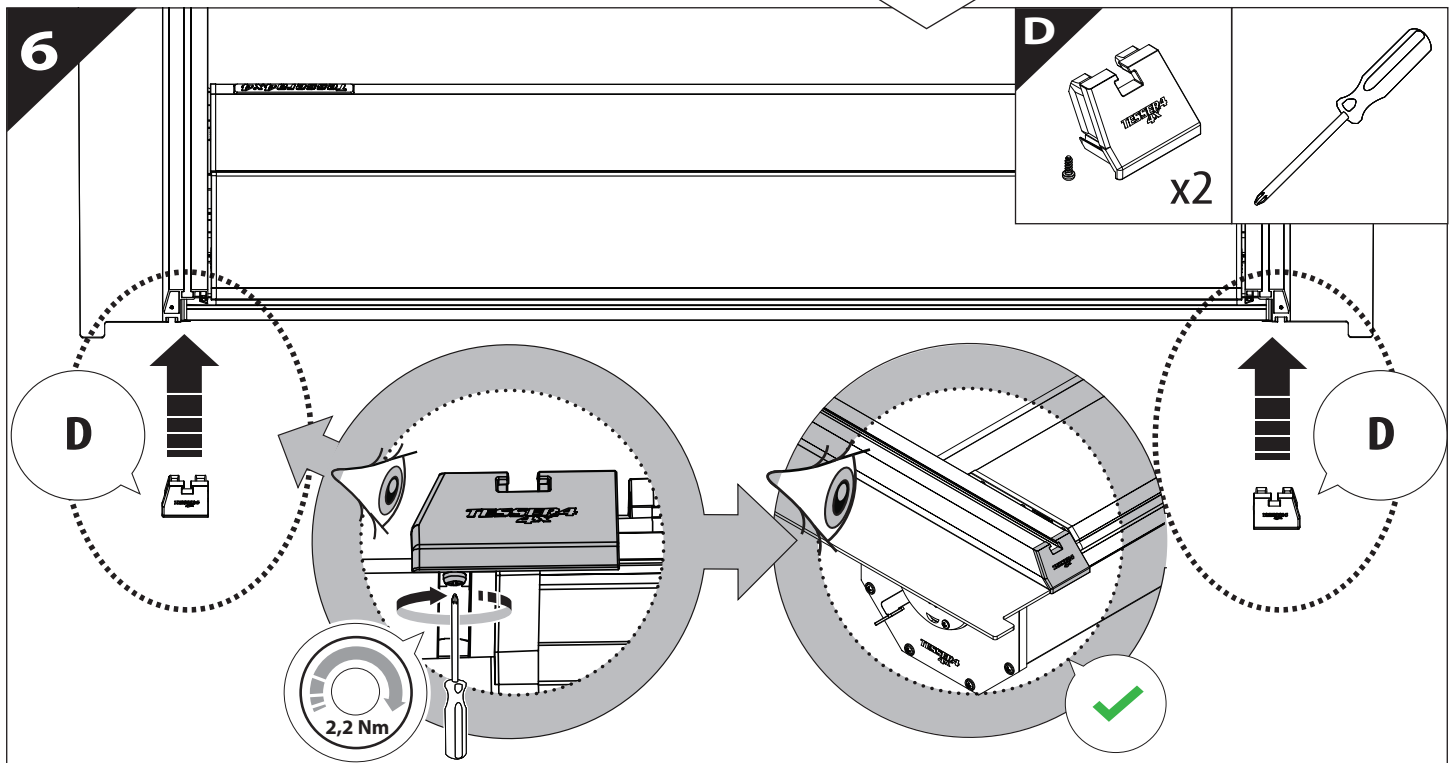
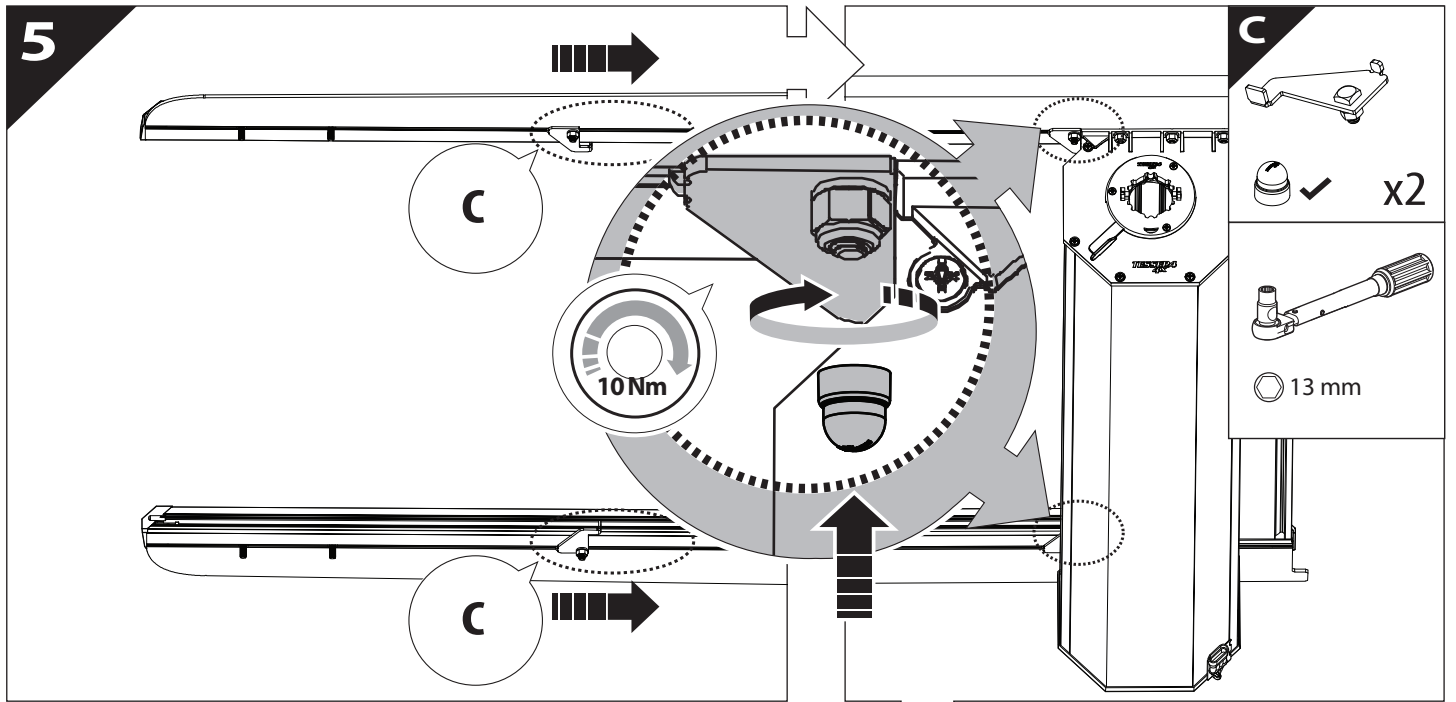


3

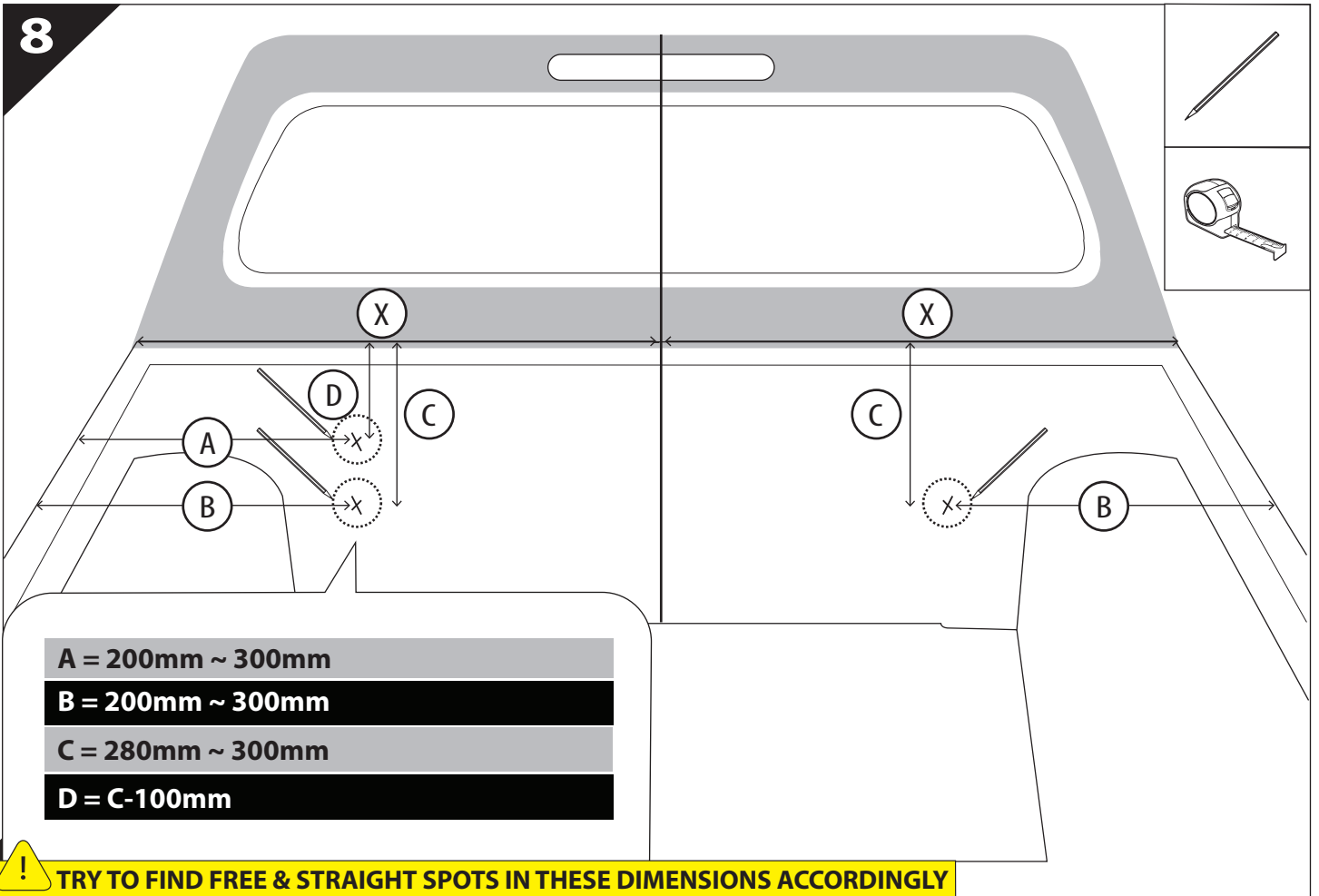


4

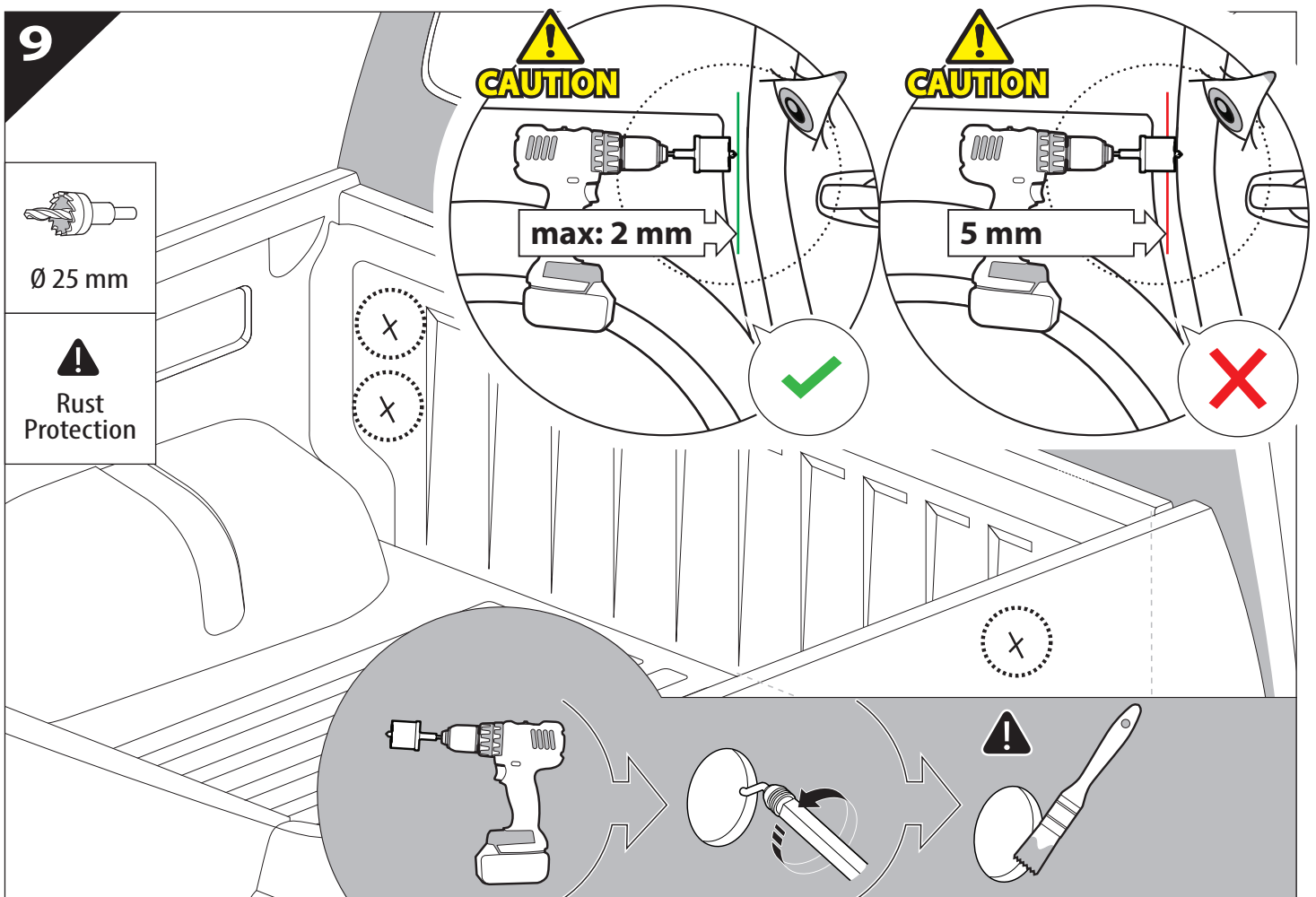




8

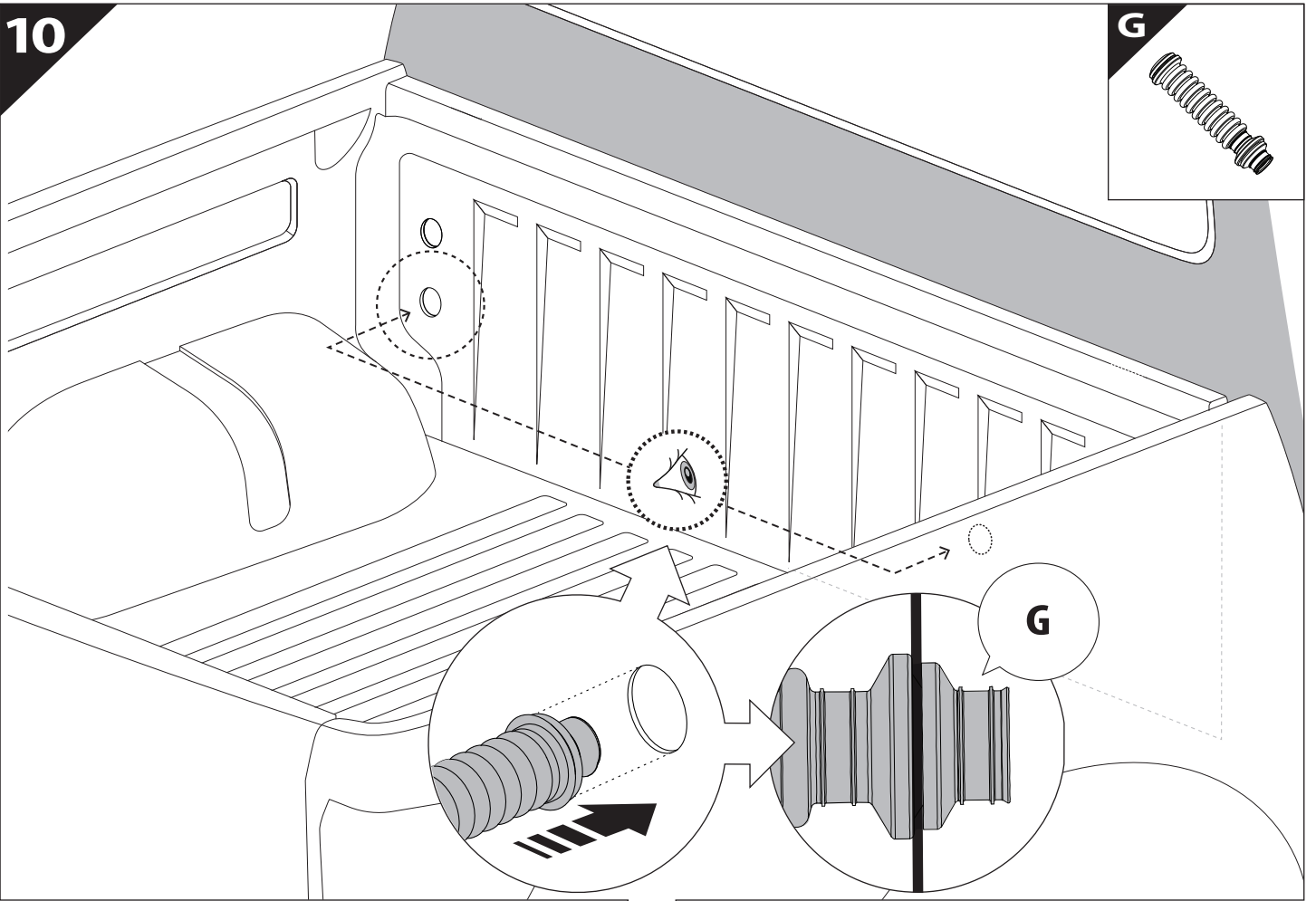


9



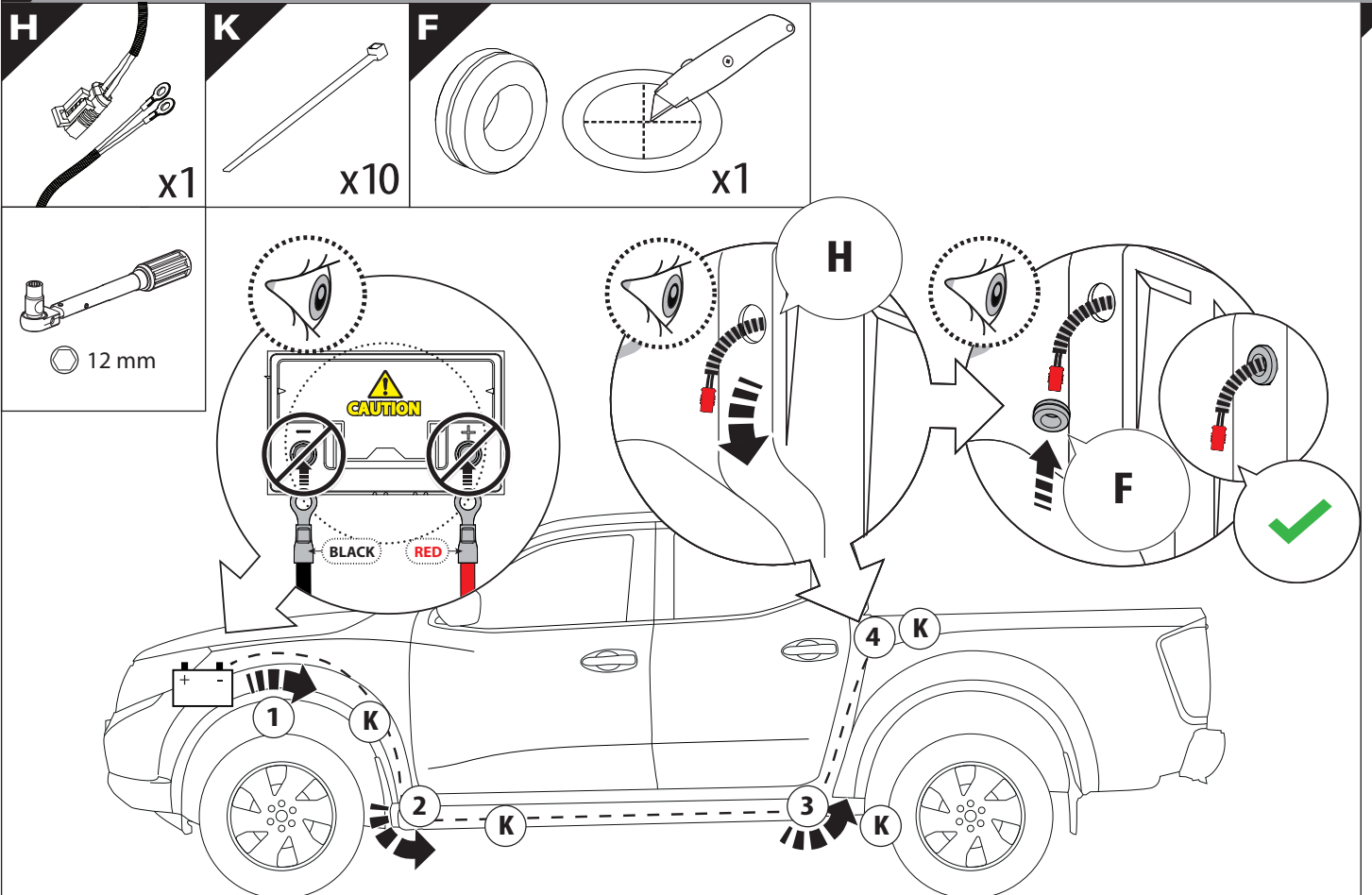
10

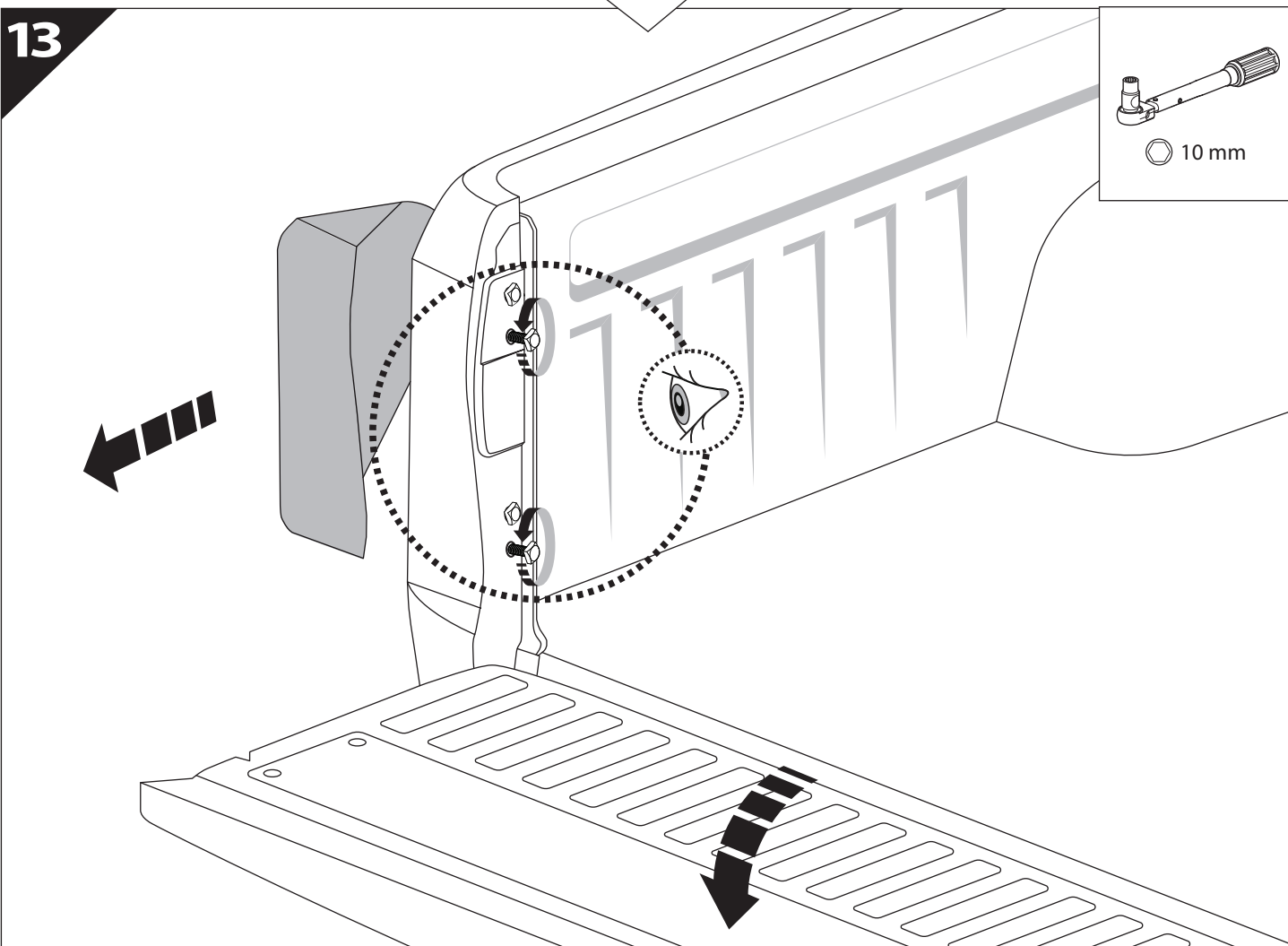
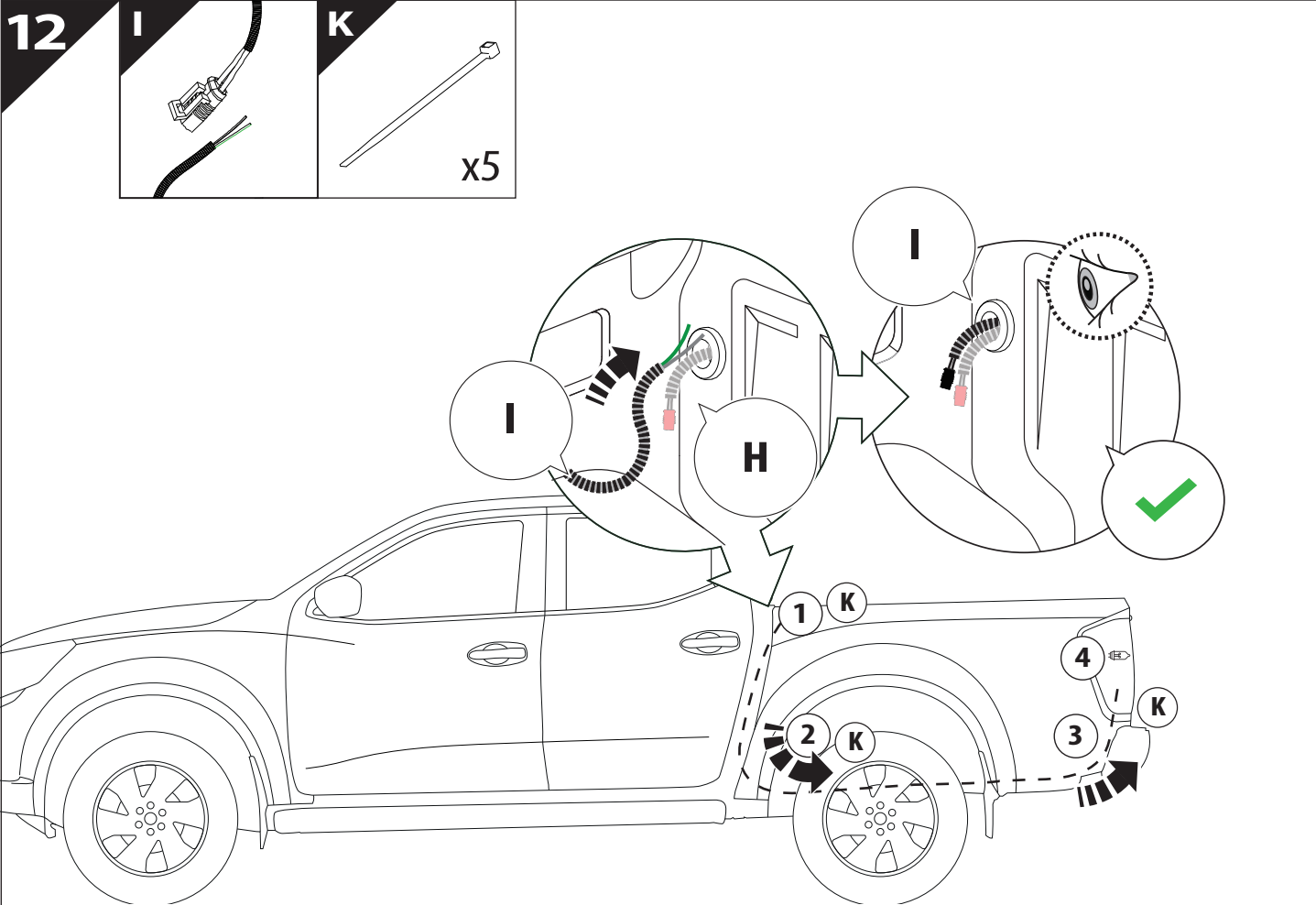
G



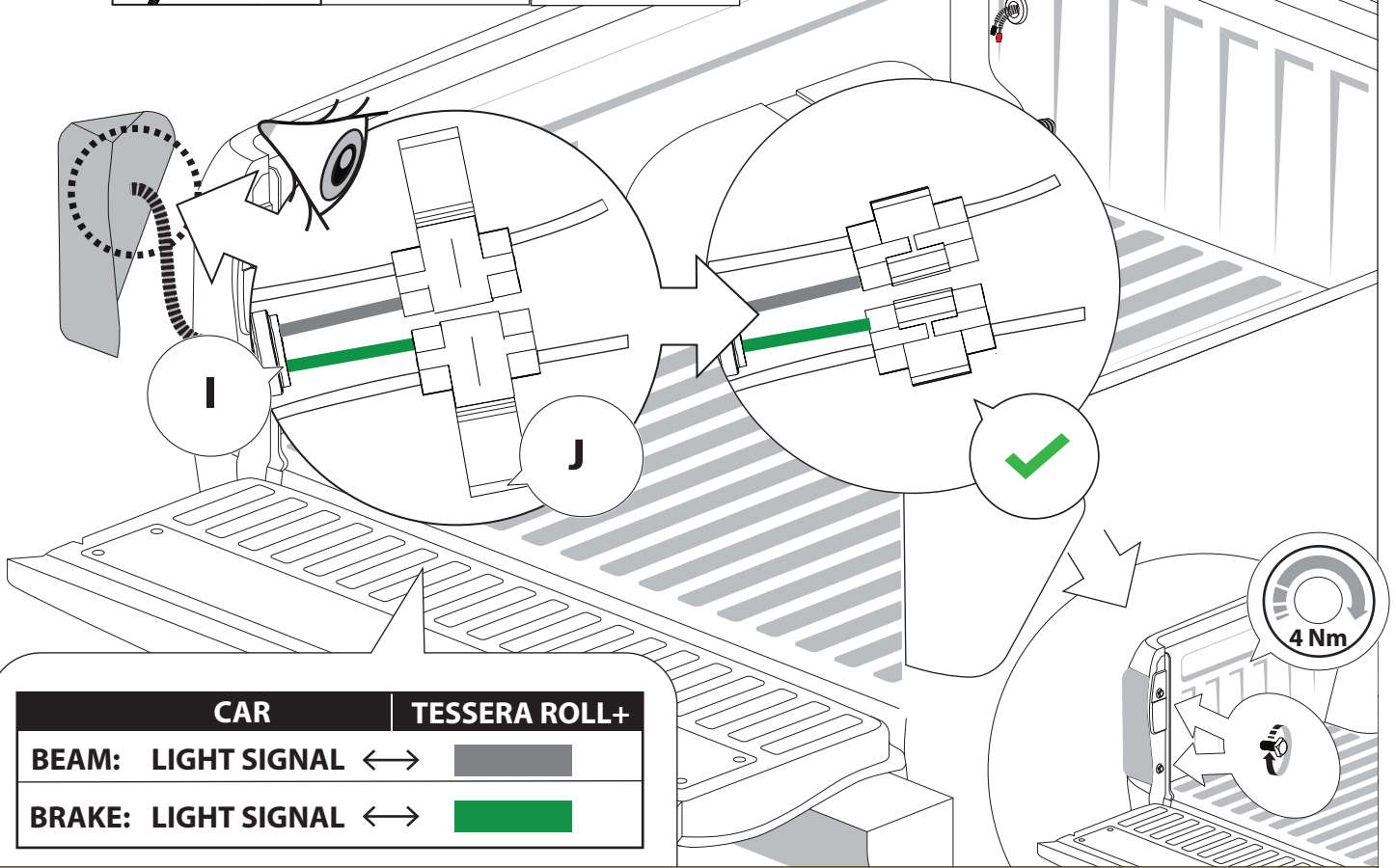
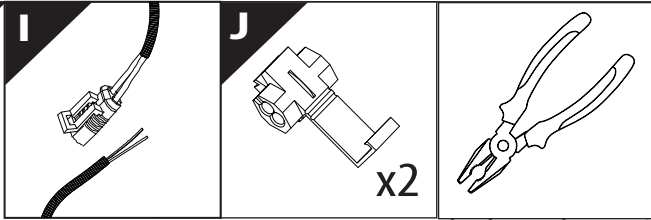
11

Only to be installed by authorized personnel





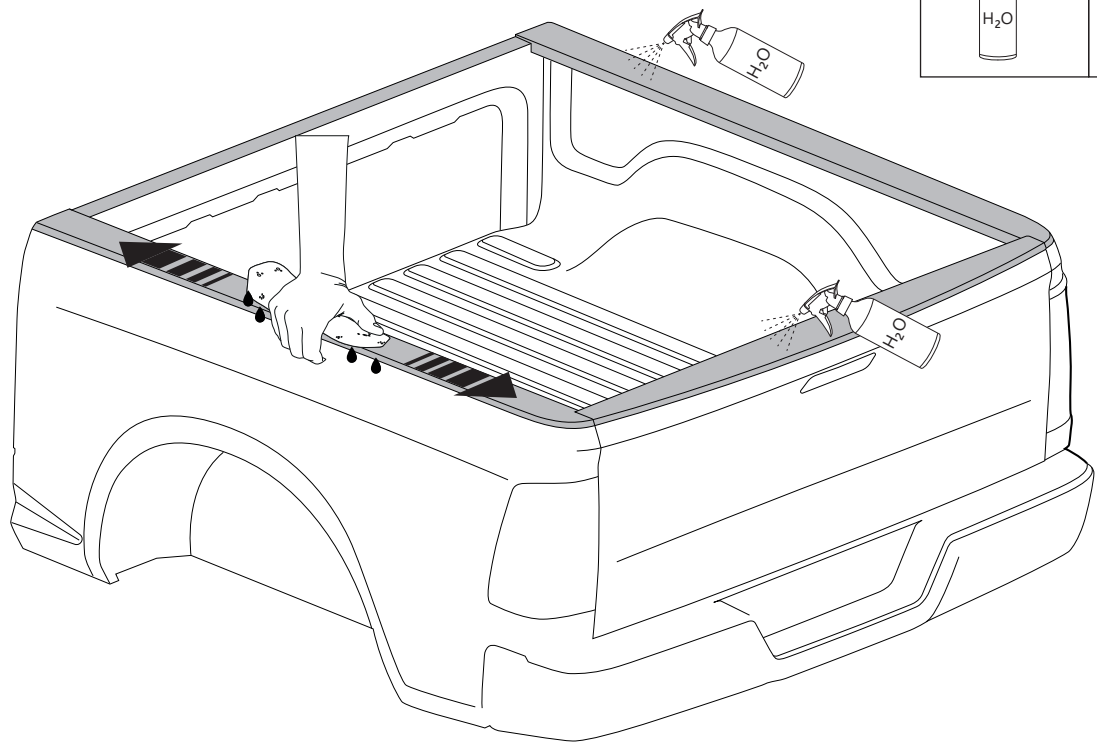
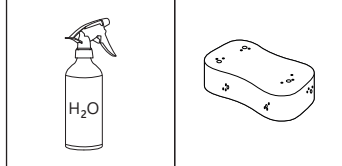
14



CAR	TESSERA ROLL+
BEAM: LIGHT SIGNAL ↔	
BRAKE: LIGHT SIGNAL ↔	

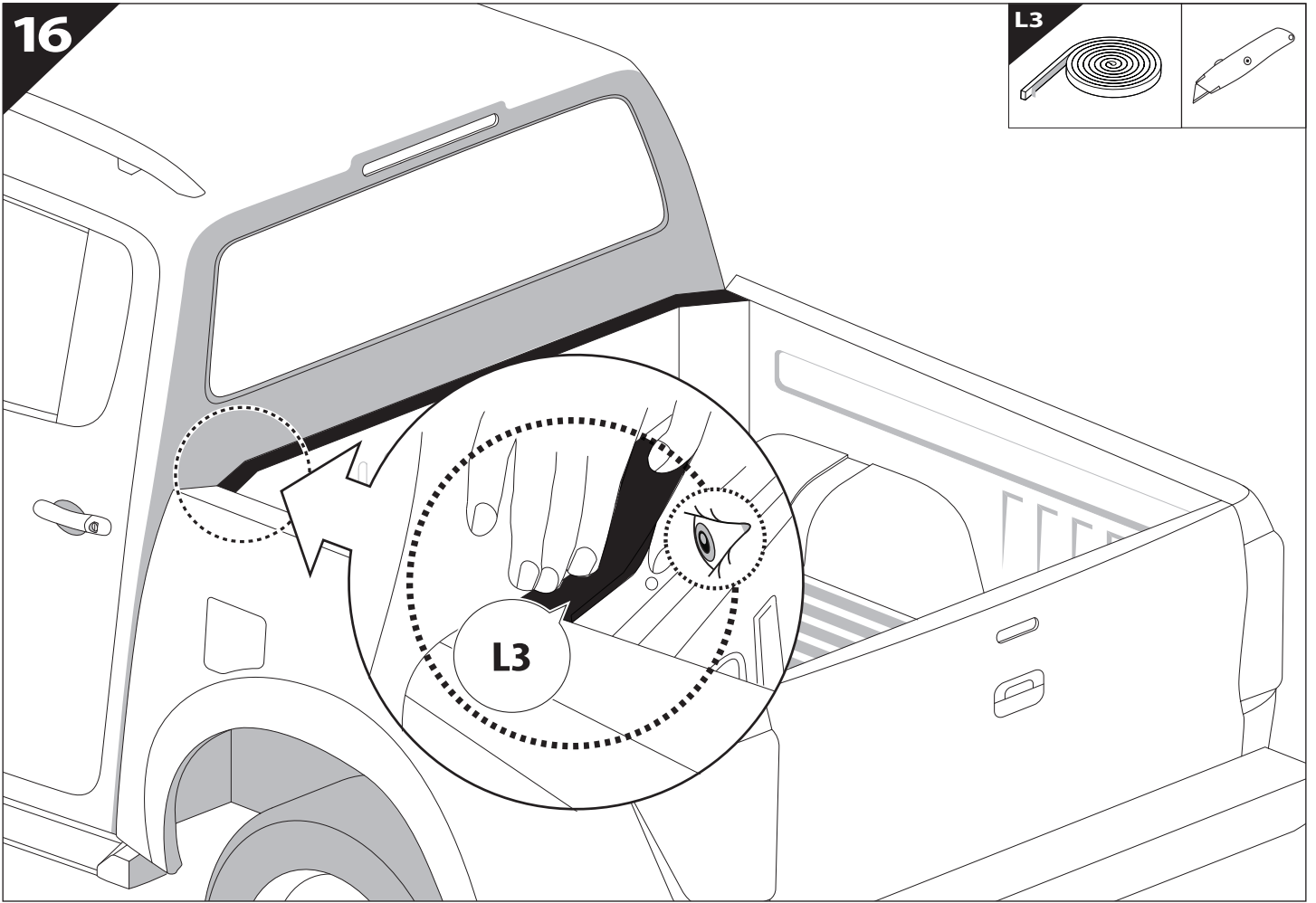
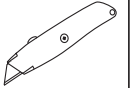
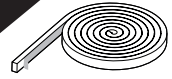
**CAUTION: CONSULT A CERTIFIED AUTO MECHANIC OR AUTOMOTIVE ELECTRICIAN TO IDENTIFY THE CORRECT WIRING CABLES FOR BEAM AND BRAKE SIGNALS BEFORE MAKING ANY CONNECTIONS.**

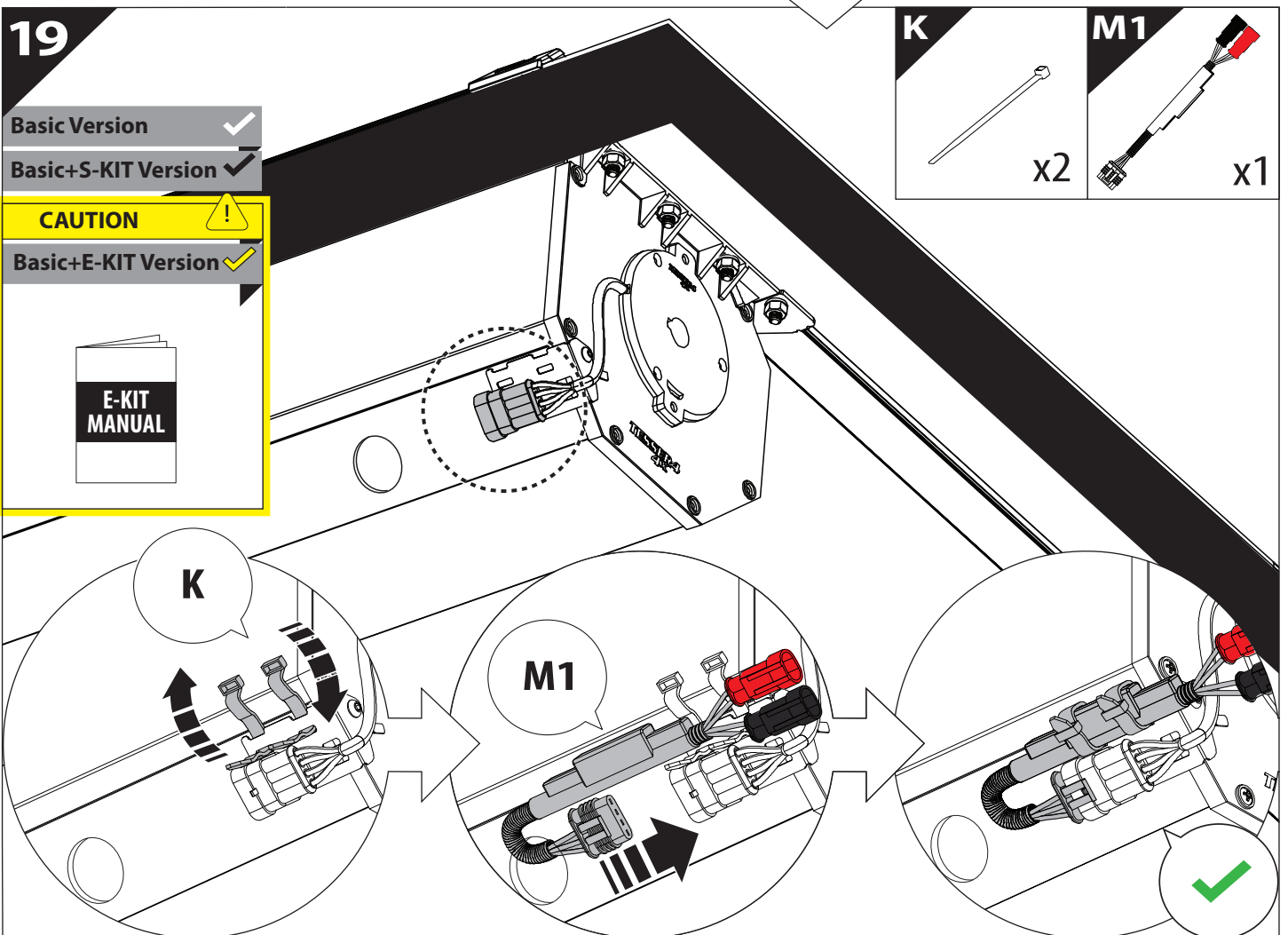
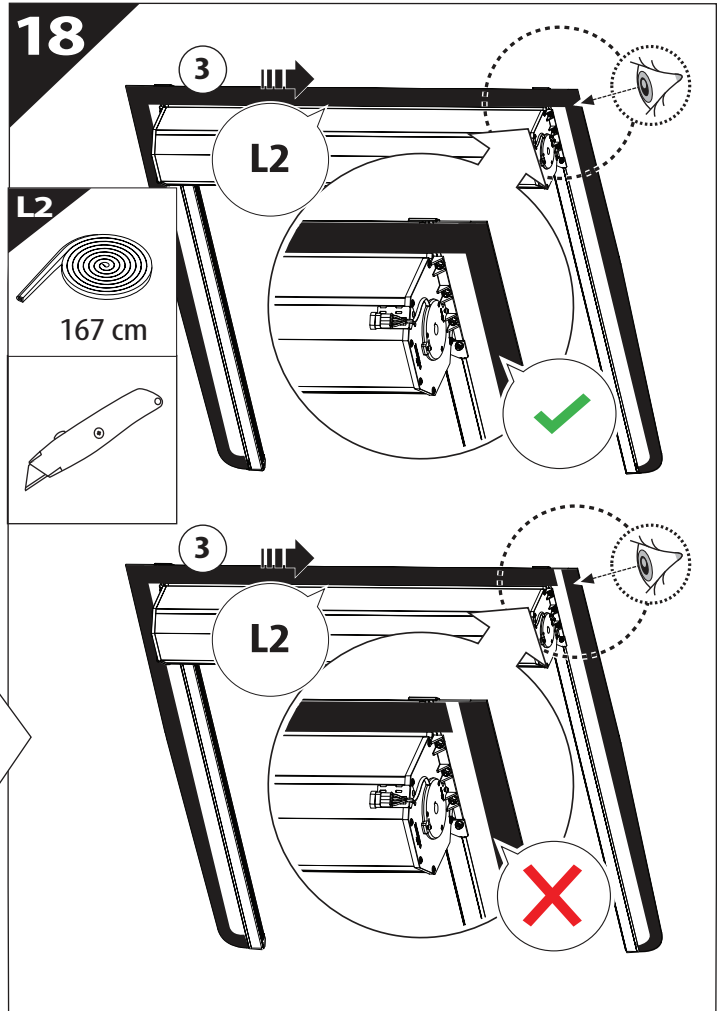
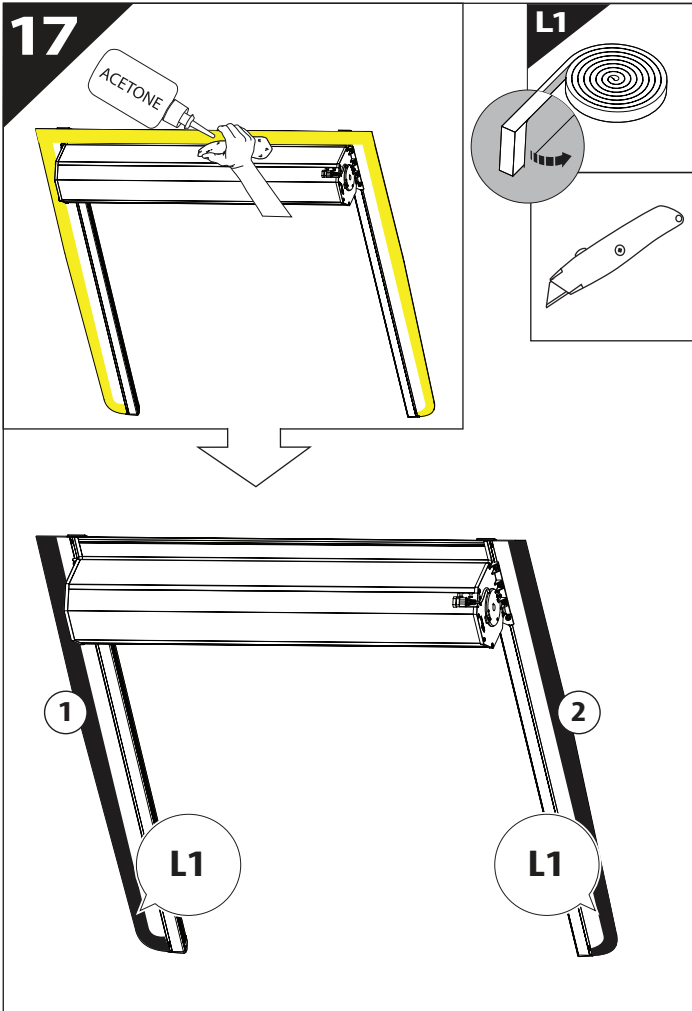
15



16

L3



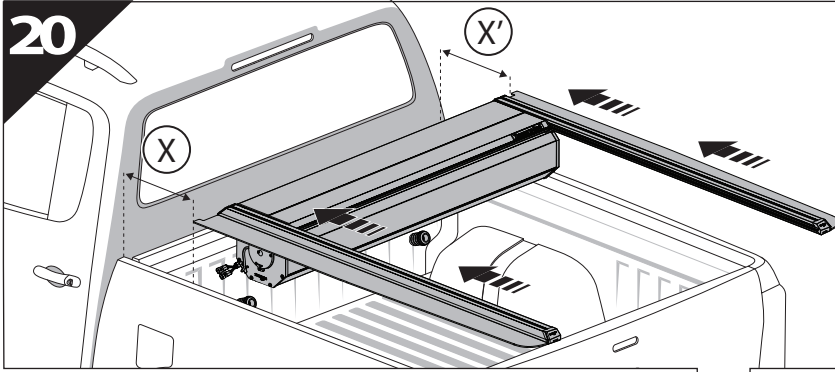


# 19. 1

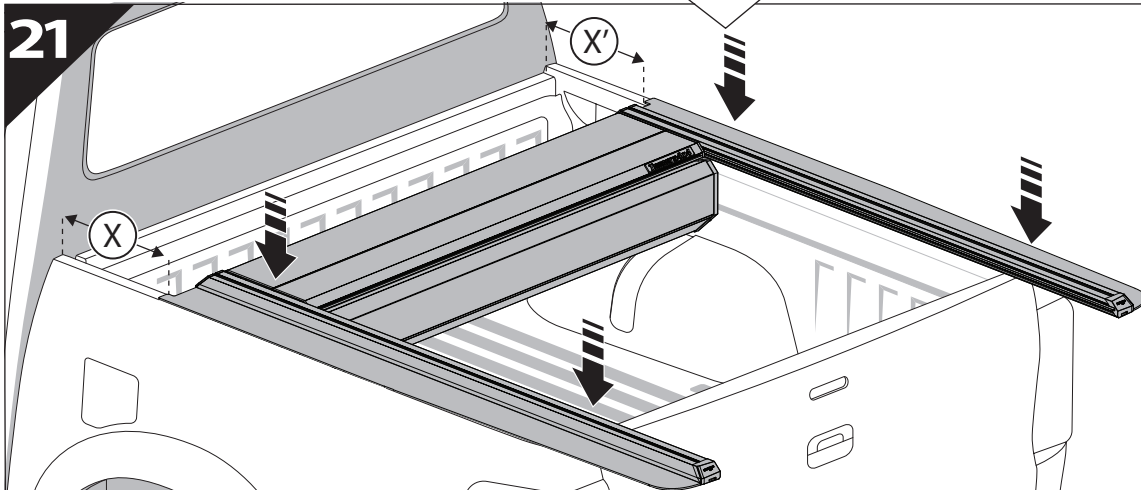
Basic+S-KIT Version

S-KIT  
MANUAL

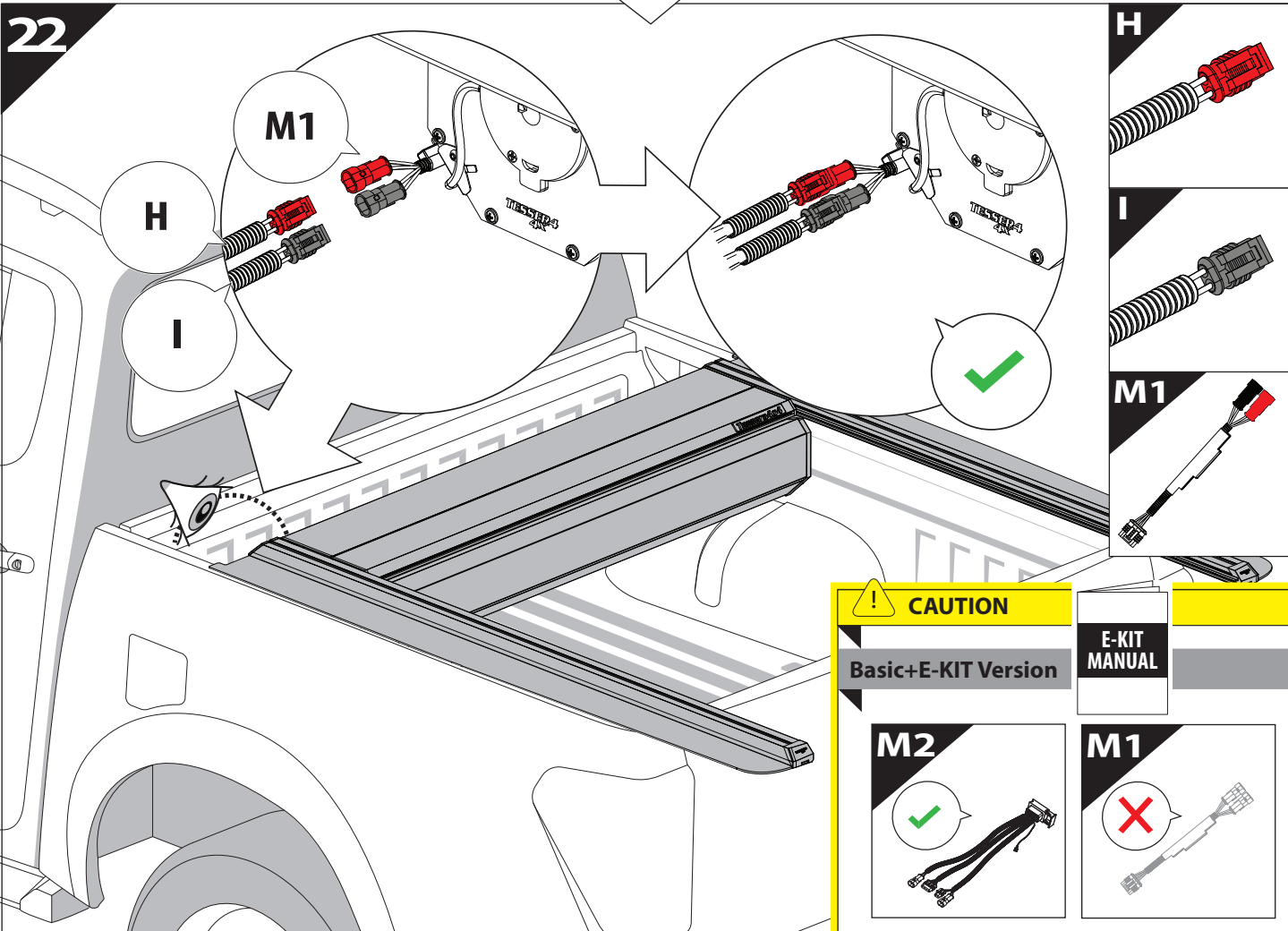
## 20



## 21

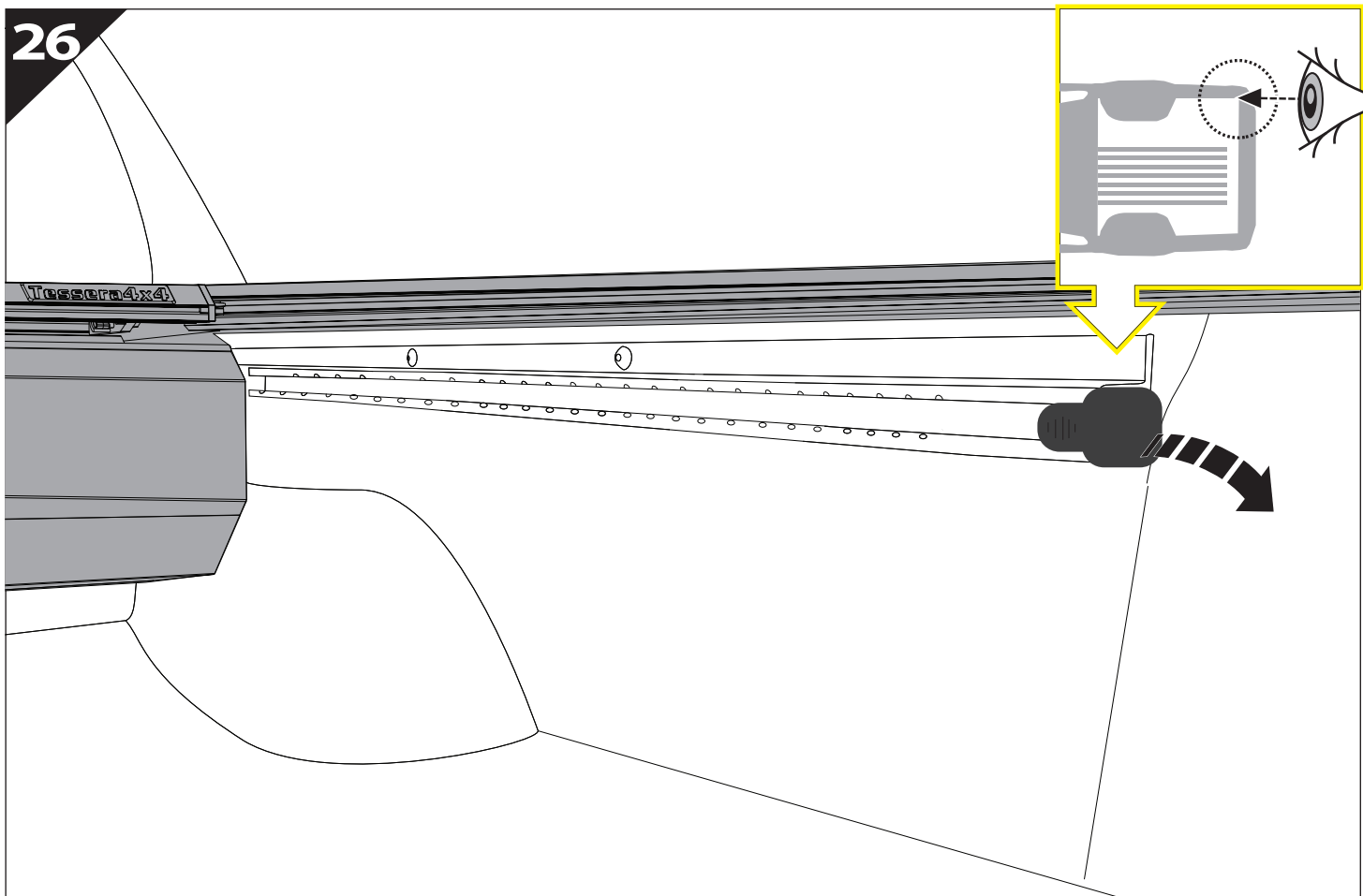


## 22

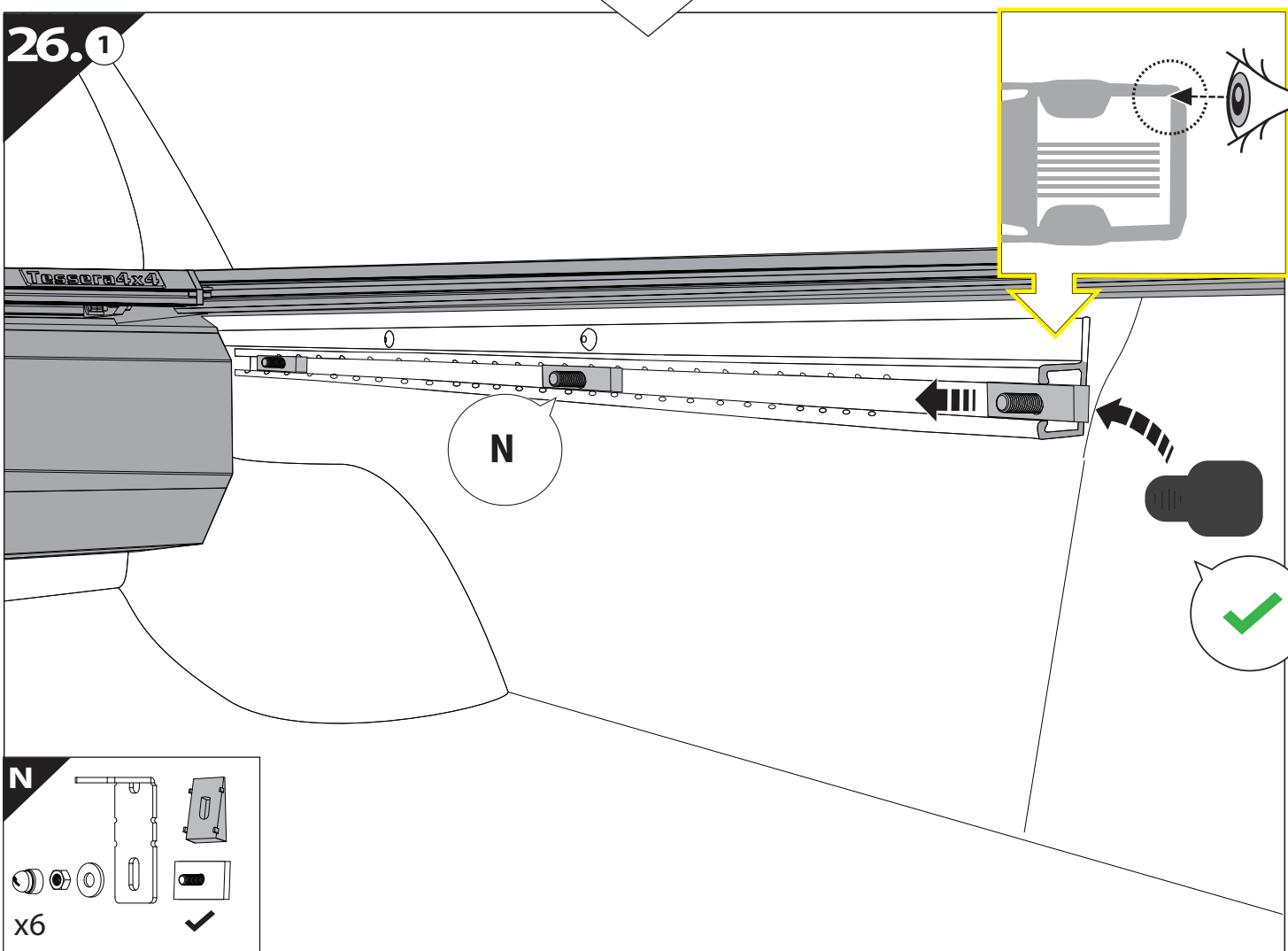




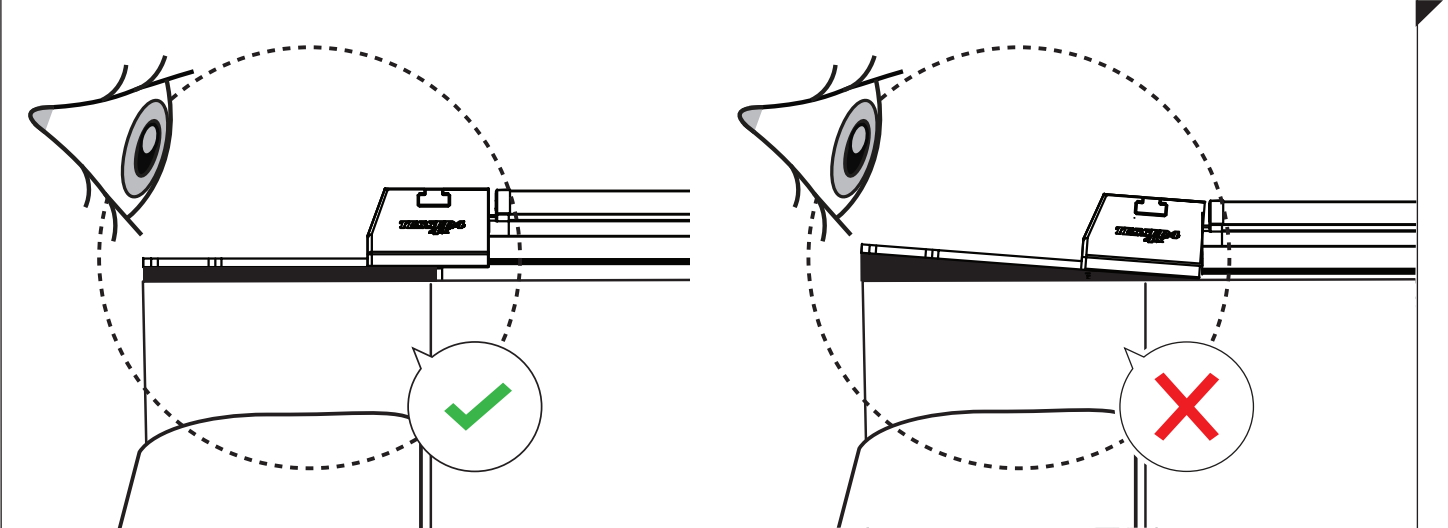
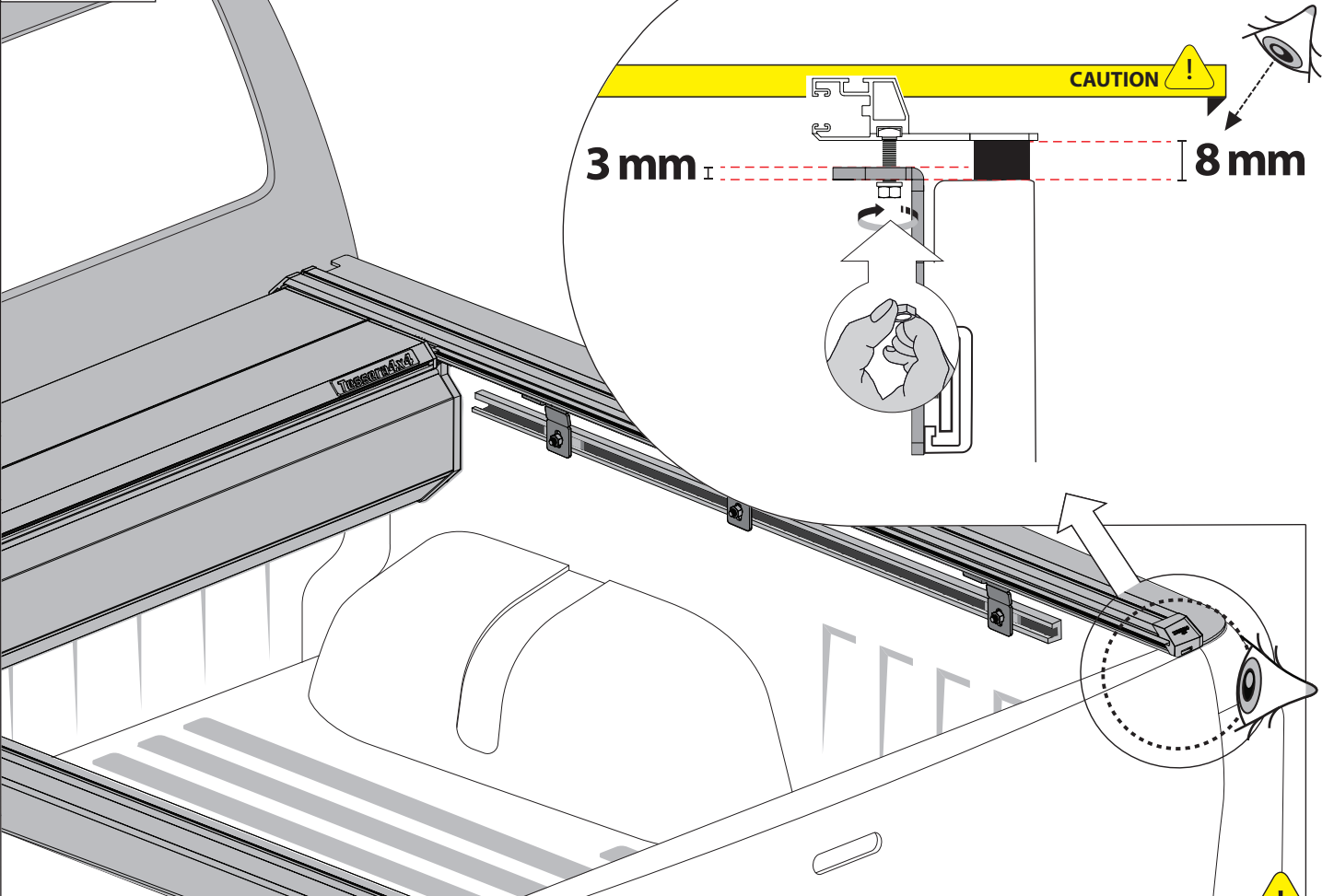
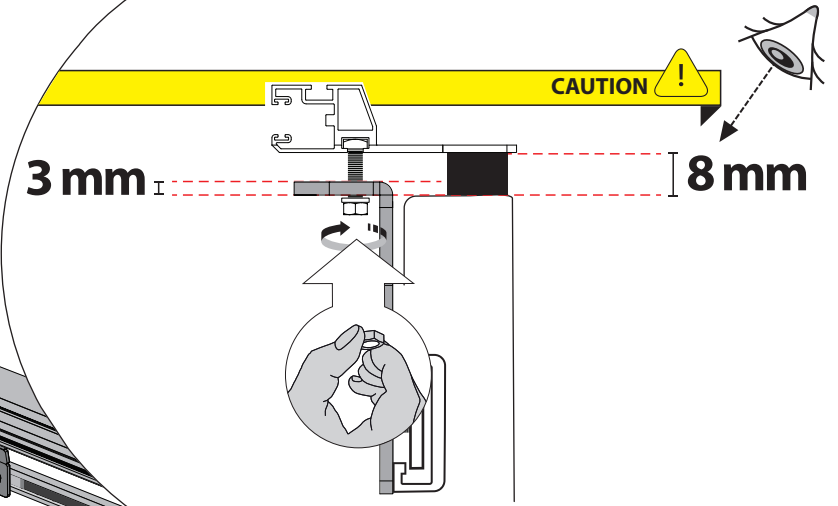
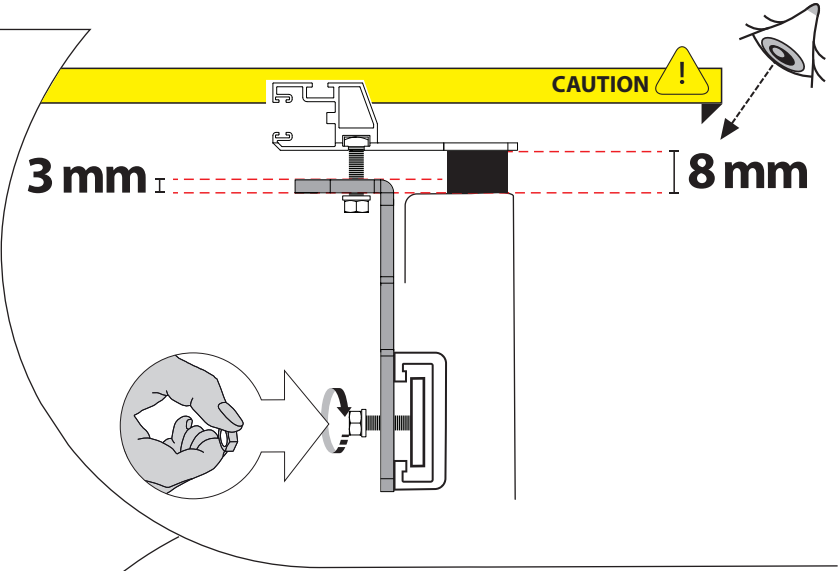
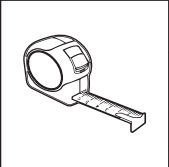
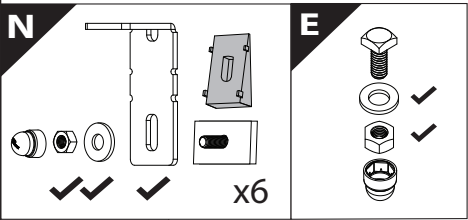
26

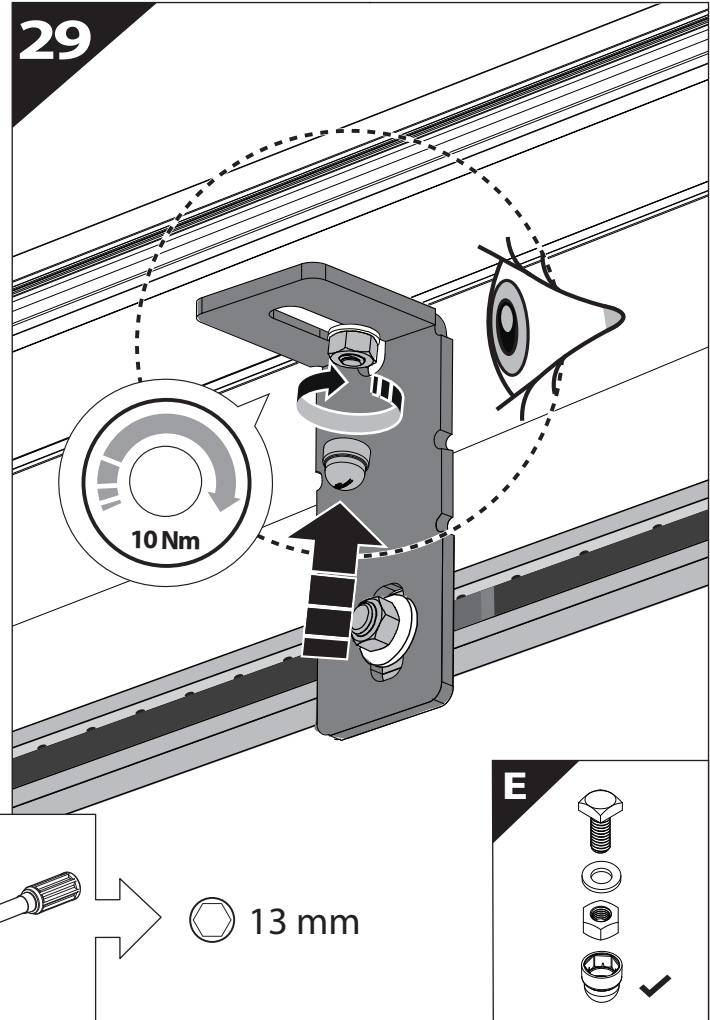
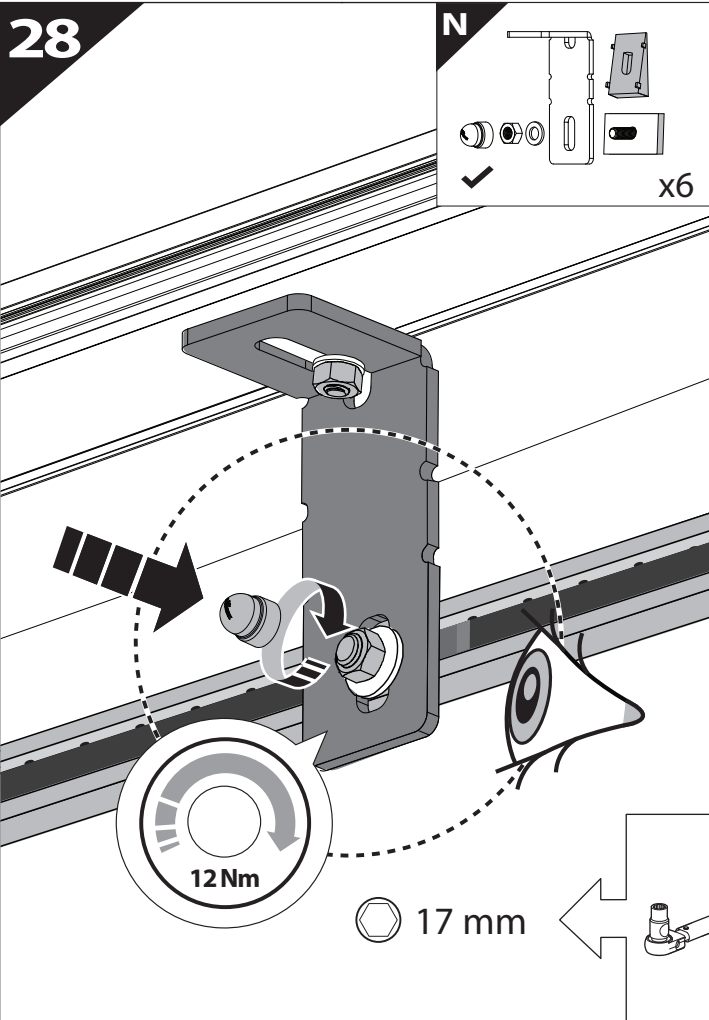


26.1

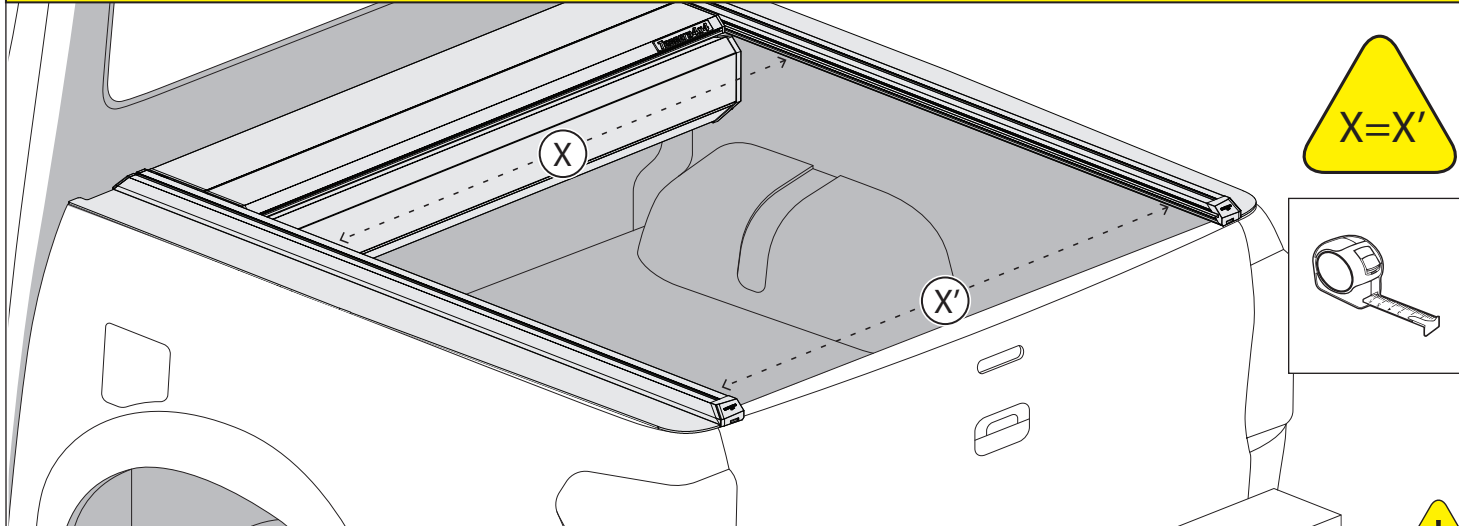


27

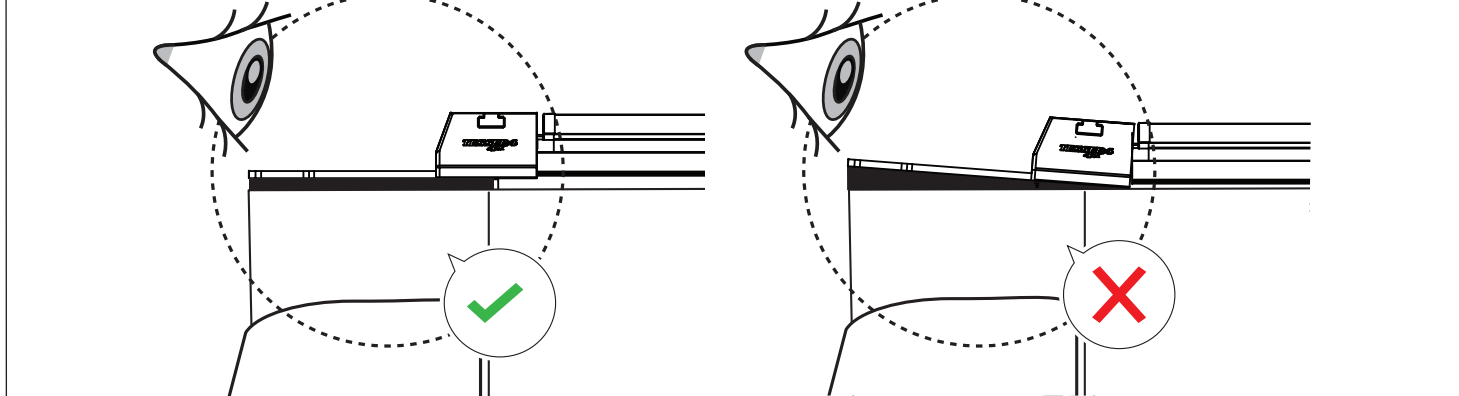


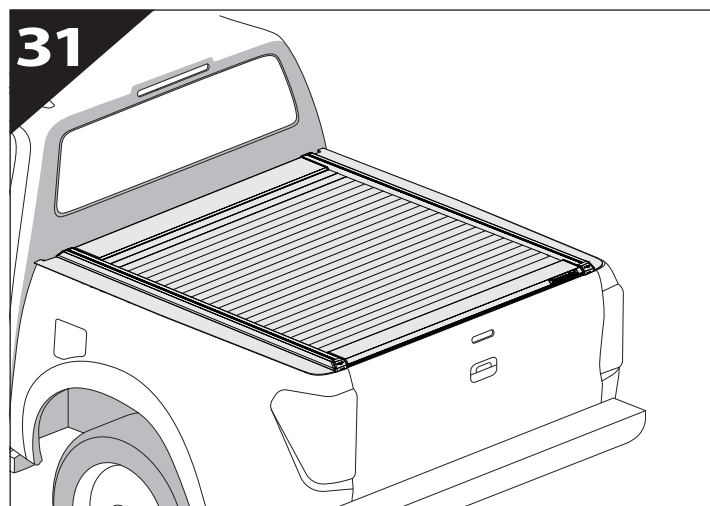
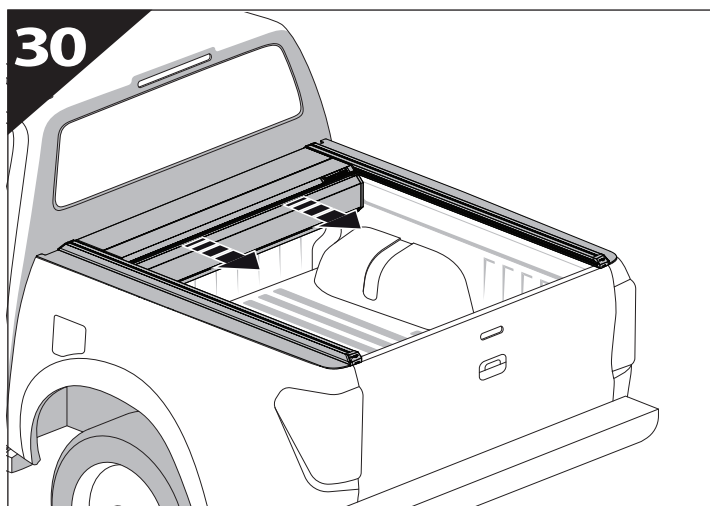


**CAUTION** !



**CAUTION** !





**GR:** Οδηγίες Εγκατάστασης  
**GB:** Installation manual  
**SF:** Asennusohje  
**F:** Notice de montage  
**PL:** Instrukcja montażu  
**NL:** Installatie-instructies  
**TR:** Montaj Talimatı  
**S:** Monteringsanvisning  
**E:** Instrucciones de montaje

**H:** Szerelési utasítás  
**P:** Instruções de instalação  
**RUS:** Инструкция по установке  
**N:** Monteringsveiledning  
**D:** Einbauanleitung  
**CZ:** Návod k instalaci  
**I:** Istruzioni de montaggio  
**DK:** Monteringsvejledning  
**RO:** Instructiuni de instalare

Customer Service:

+30 (210) 5541161, +30 (210) 5541154 (08:00 - 16:00 EET)

Support department:

info@gianso.gr

Website:

www.tessera4x4.com

Address:

19.5 km of National road Athens-Korinthos (Elefsina) Greece, P.C: 19200