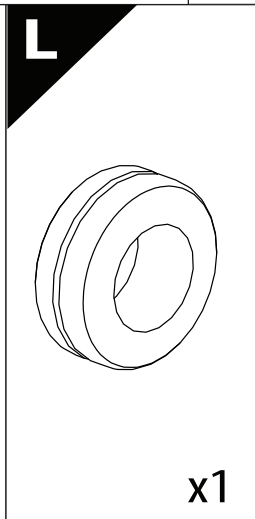
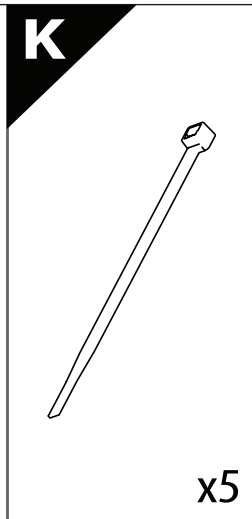
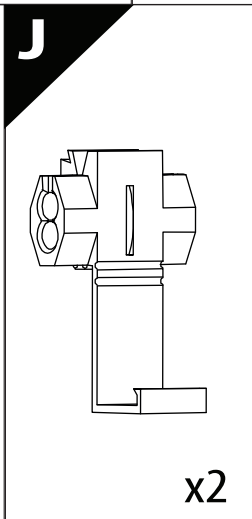
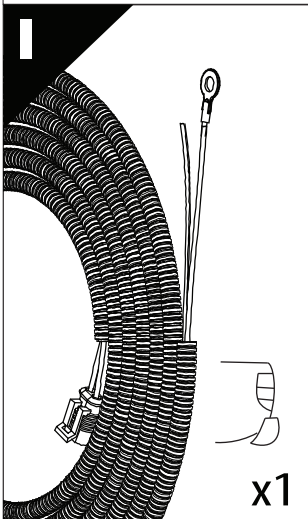
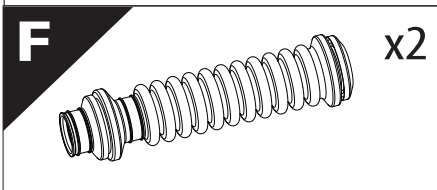
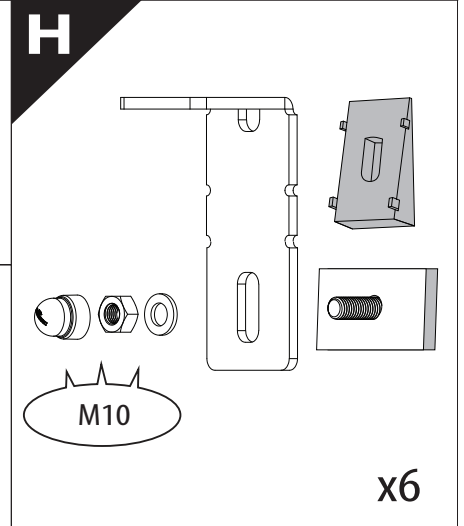
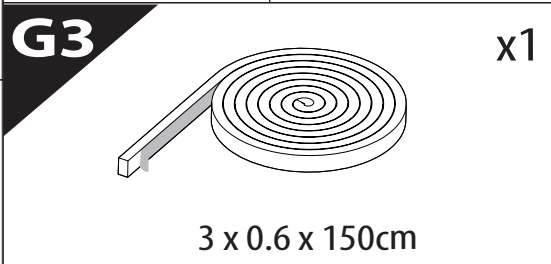
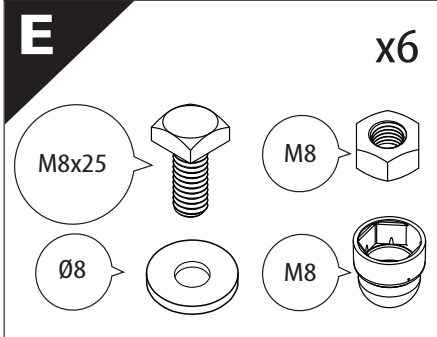
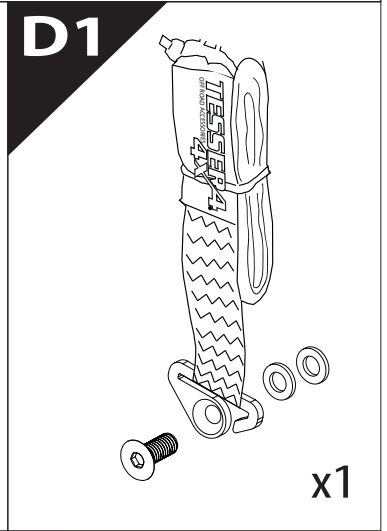
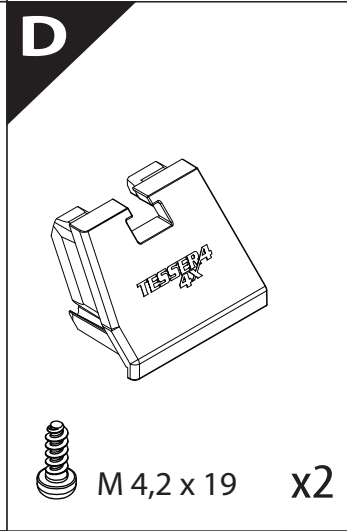
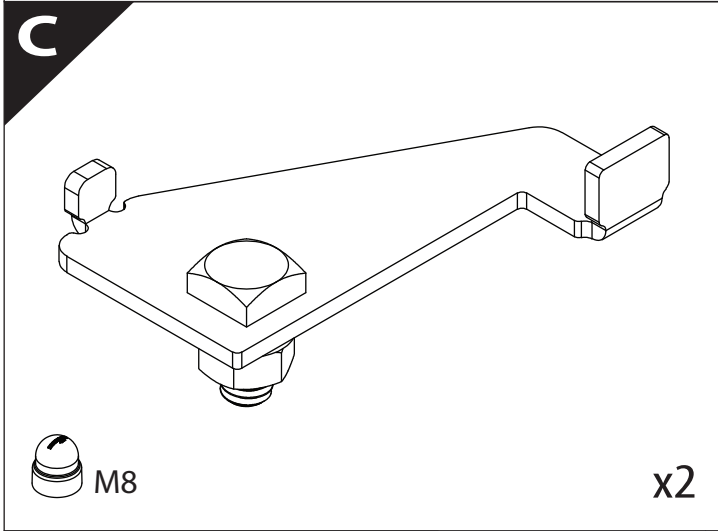
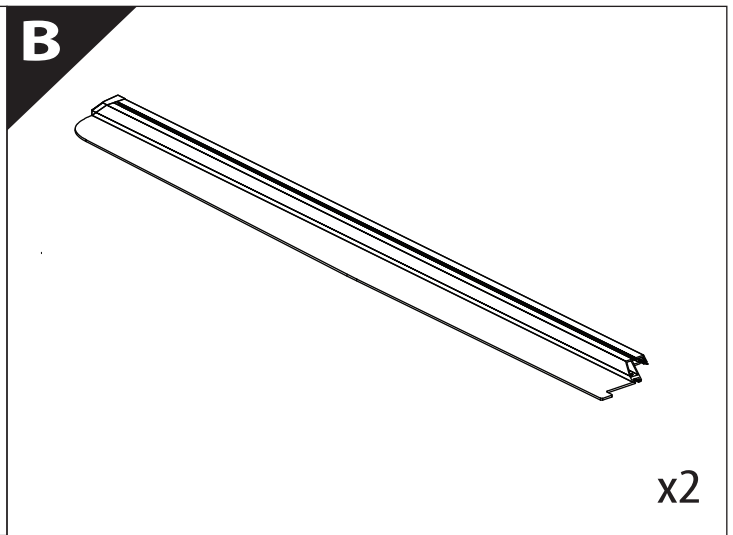
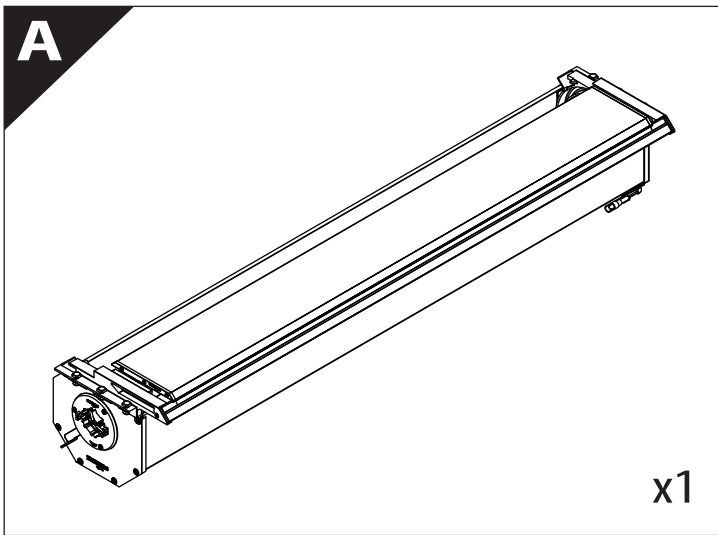
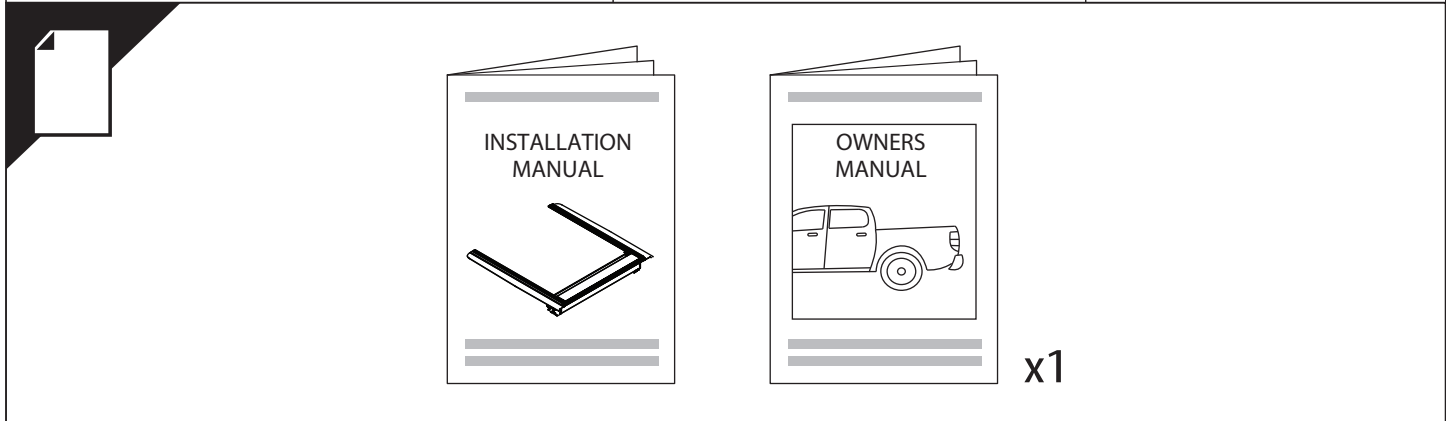
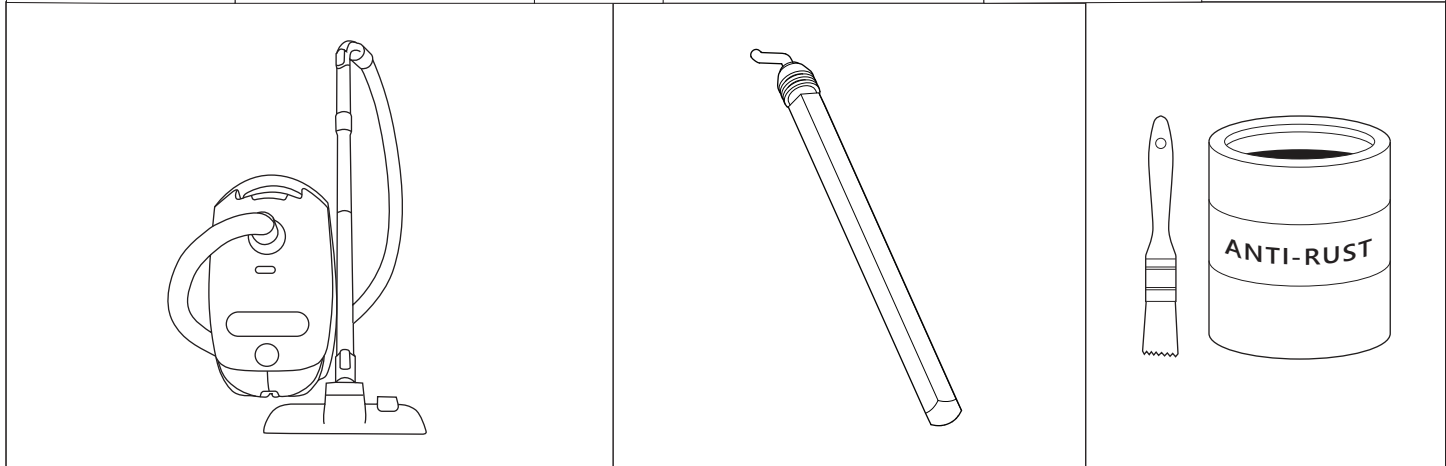
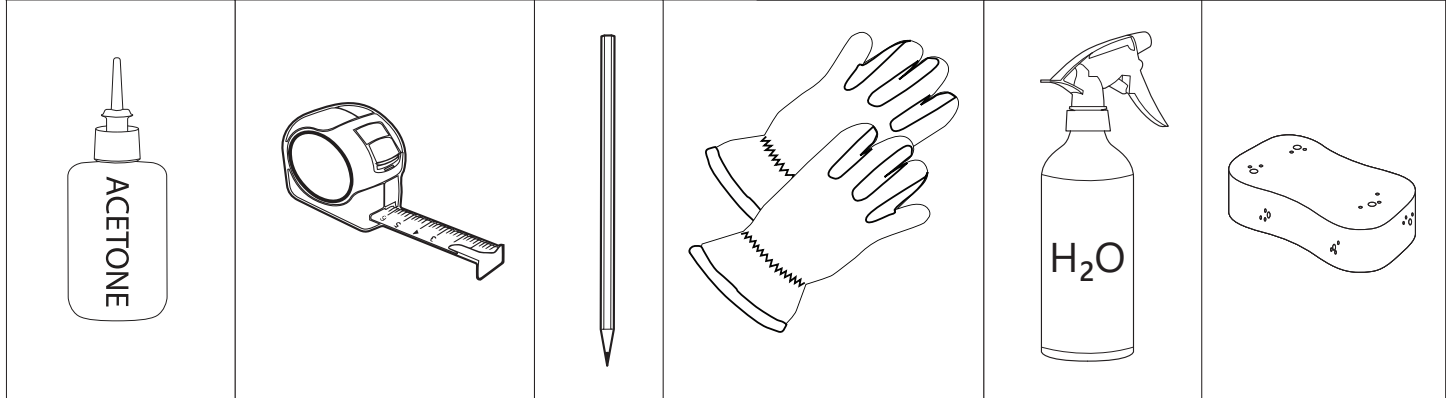
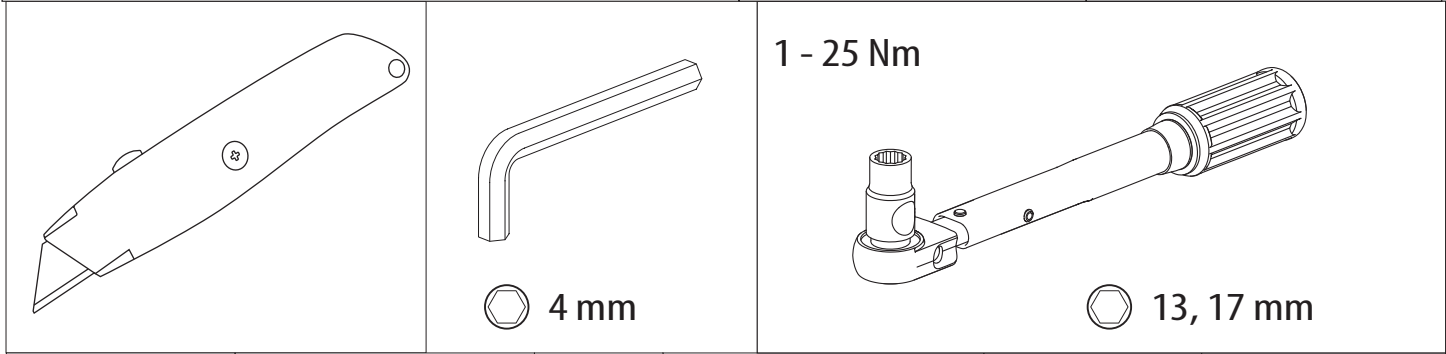
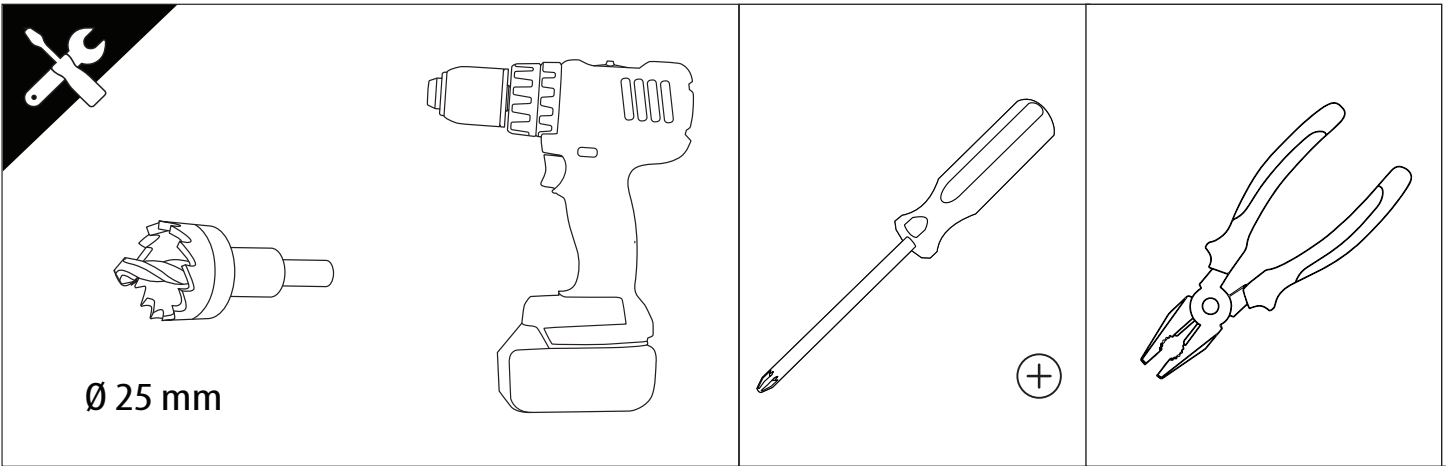
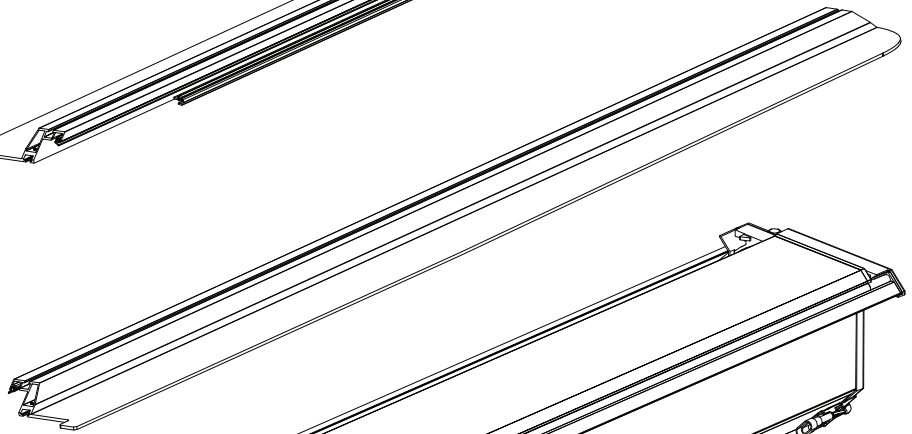
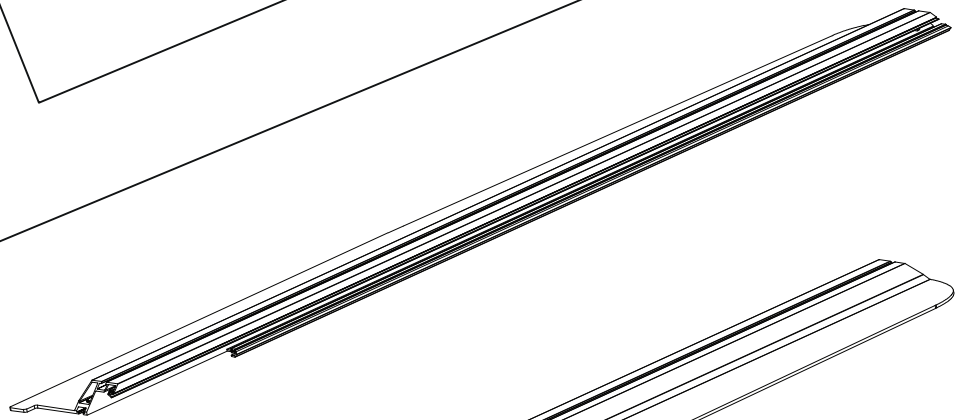
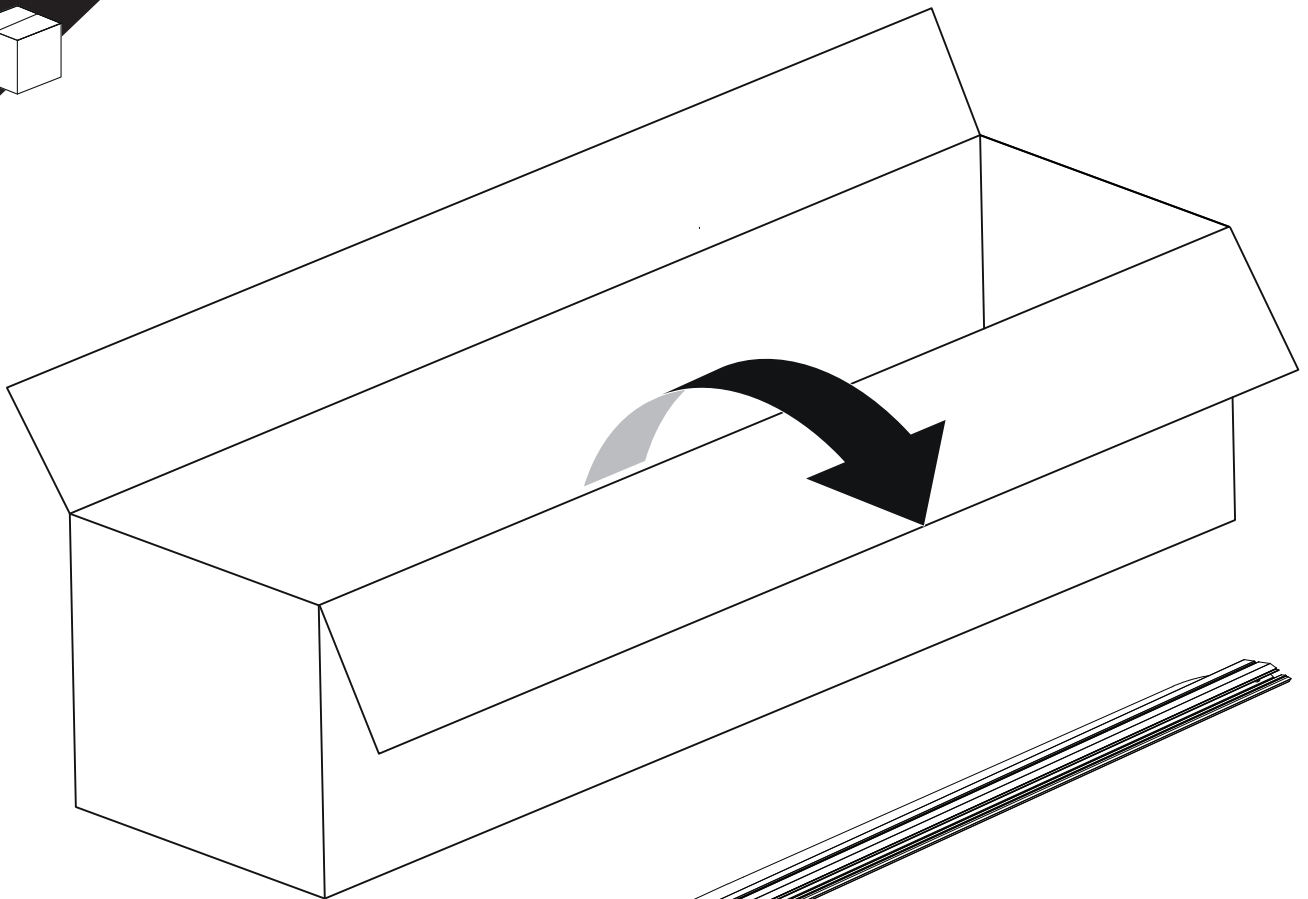


Installation Manual

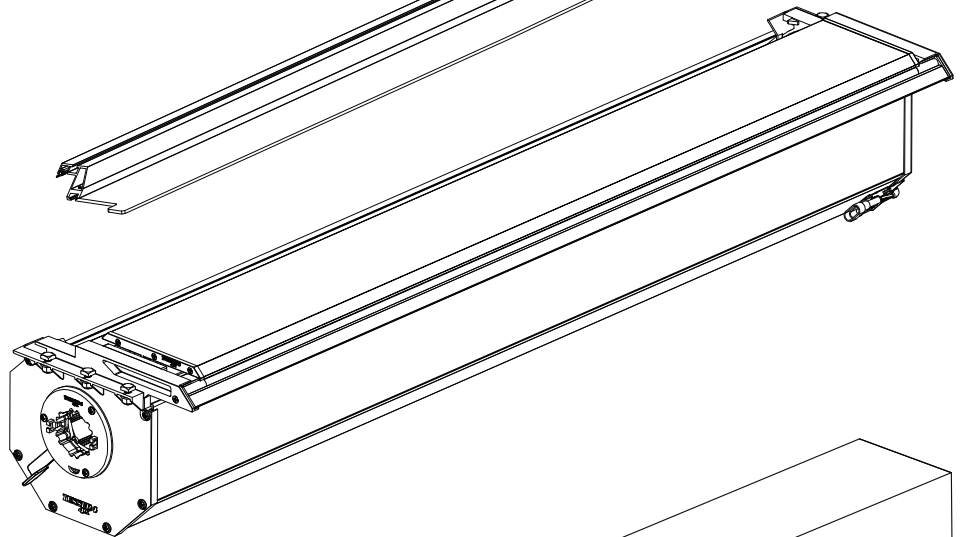
PART NUMBER(S)		Model Year
TESS 1533 SE	TESS 1633 SE+	Toyota Tacoma 2024+
TESS 15331 SE	TESS 16331 SE+	
Cab(s)		Installation Time / Weight
5 Feet & 6 Feet		40-60 minutes / 53-57 kg





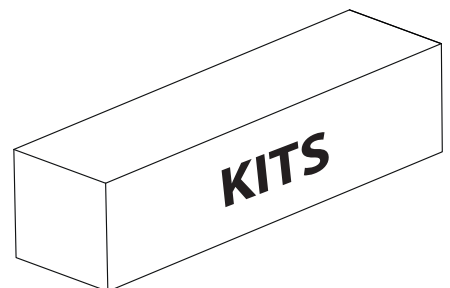


B

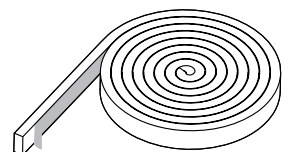


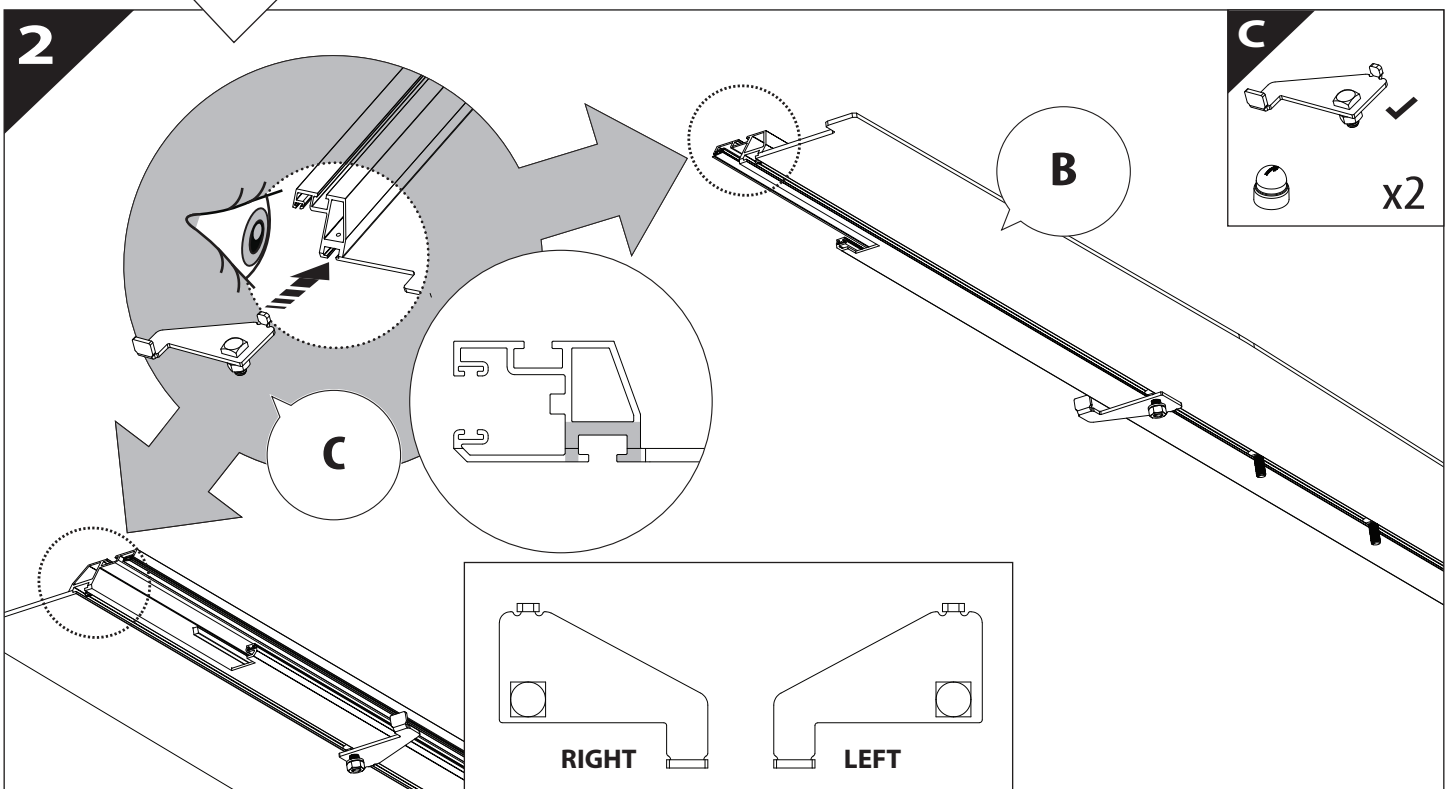
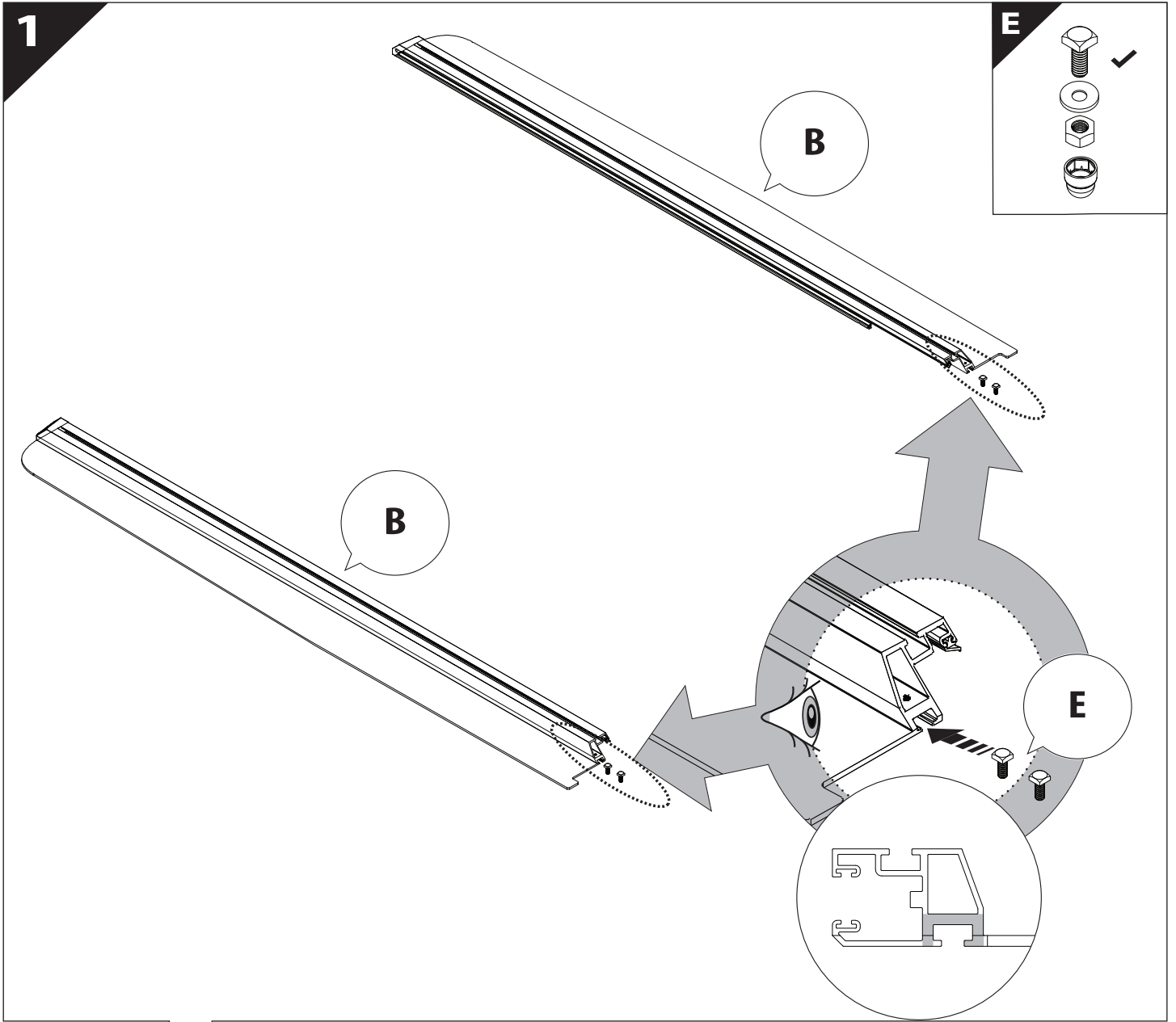
A

KITS

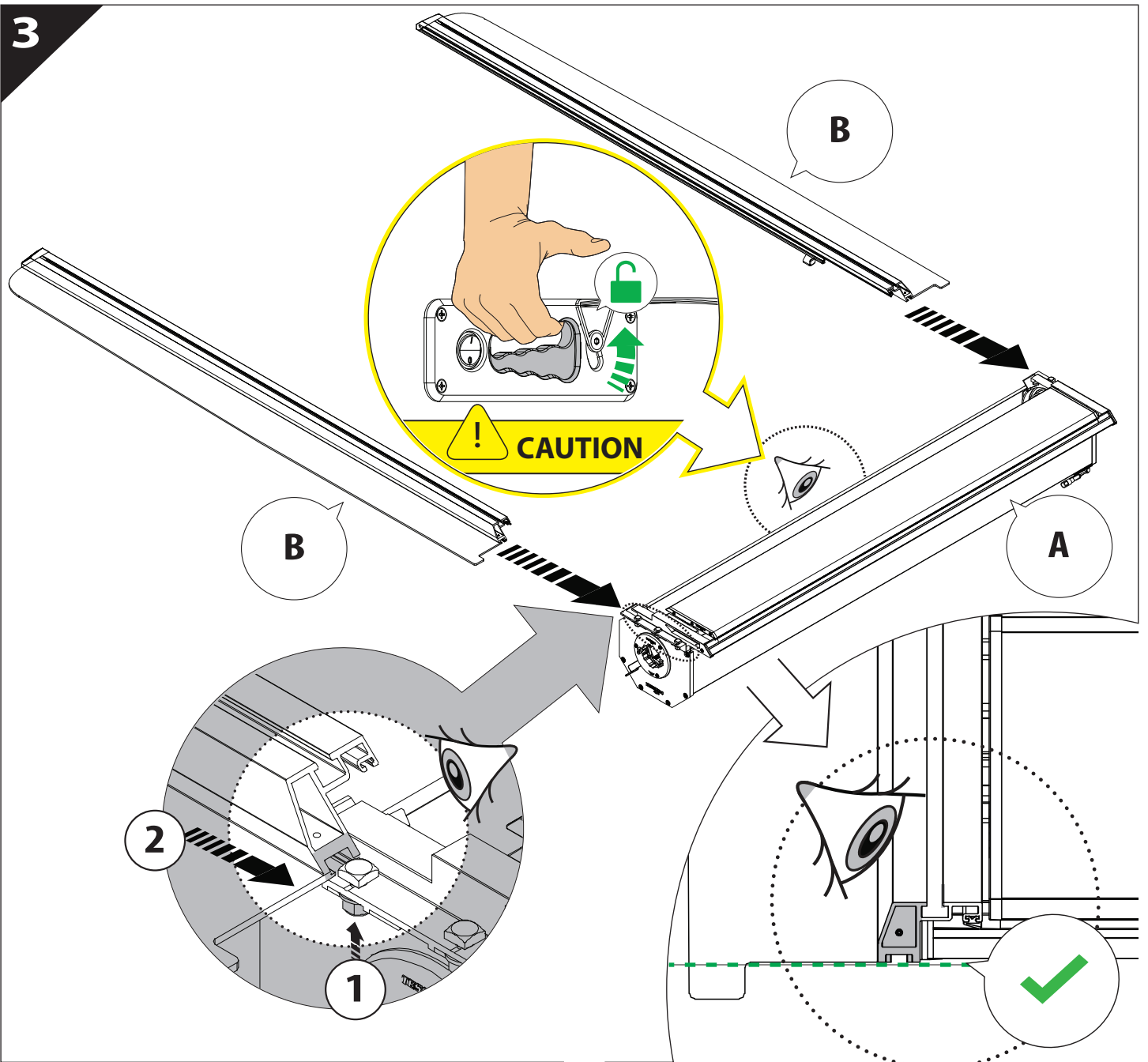


G

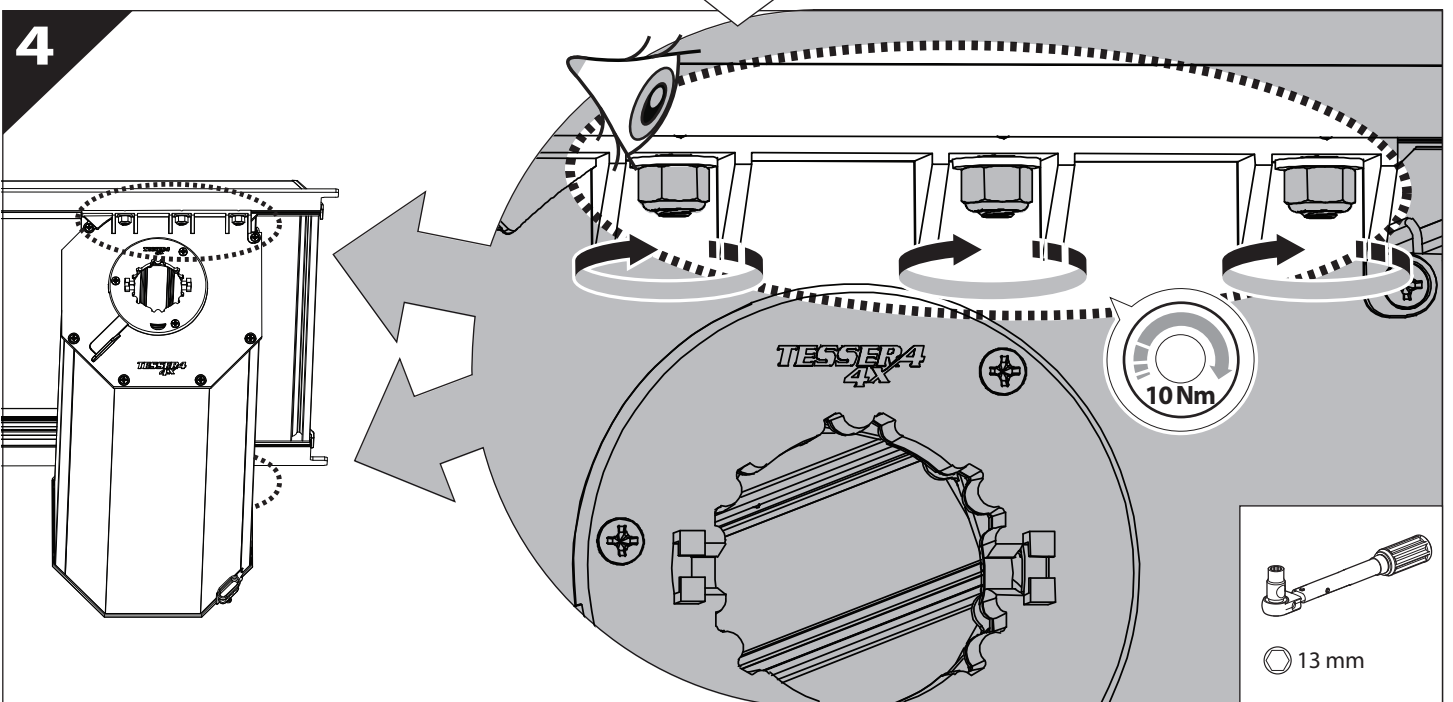


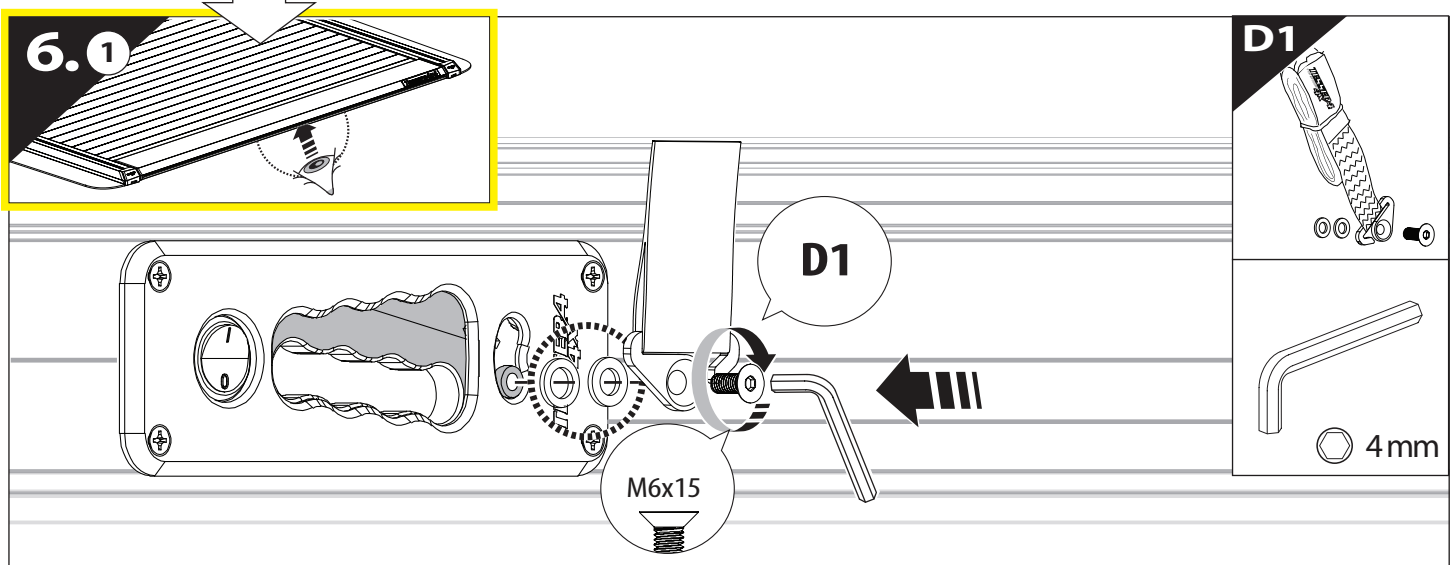
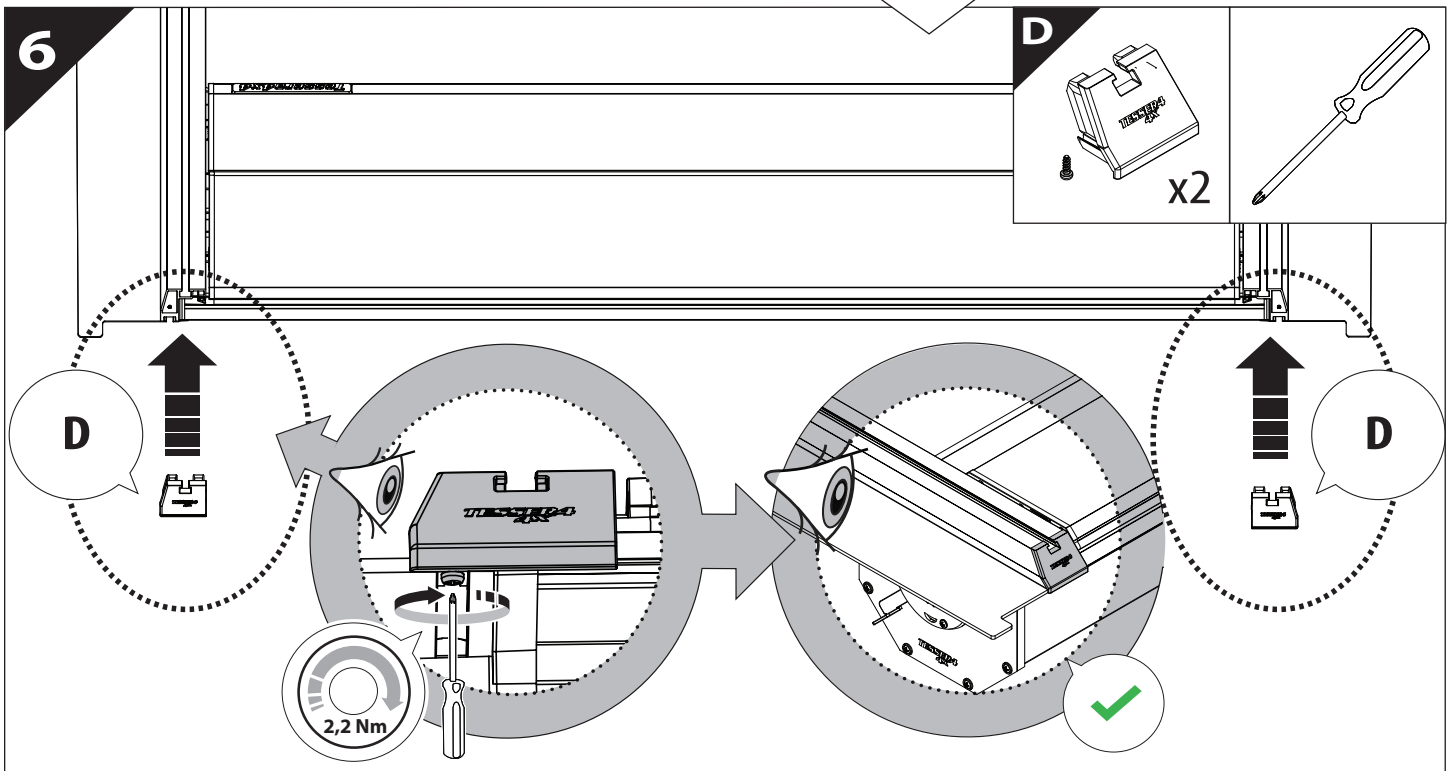
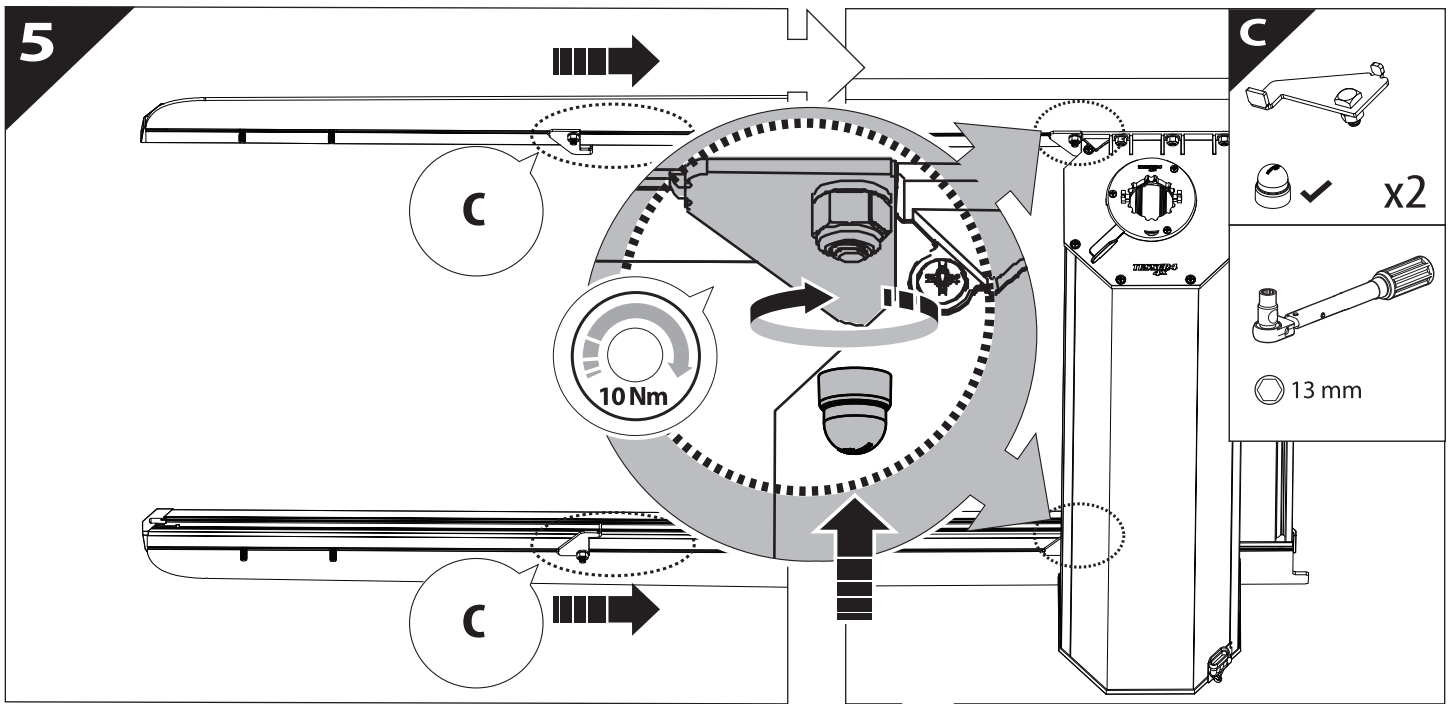


3

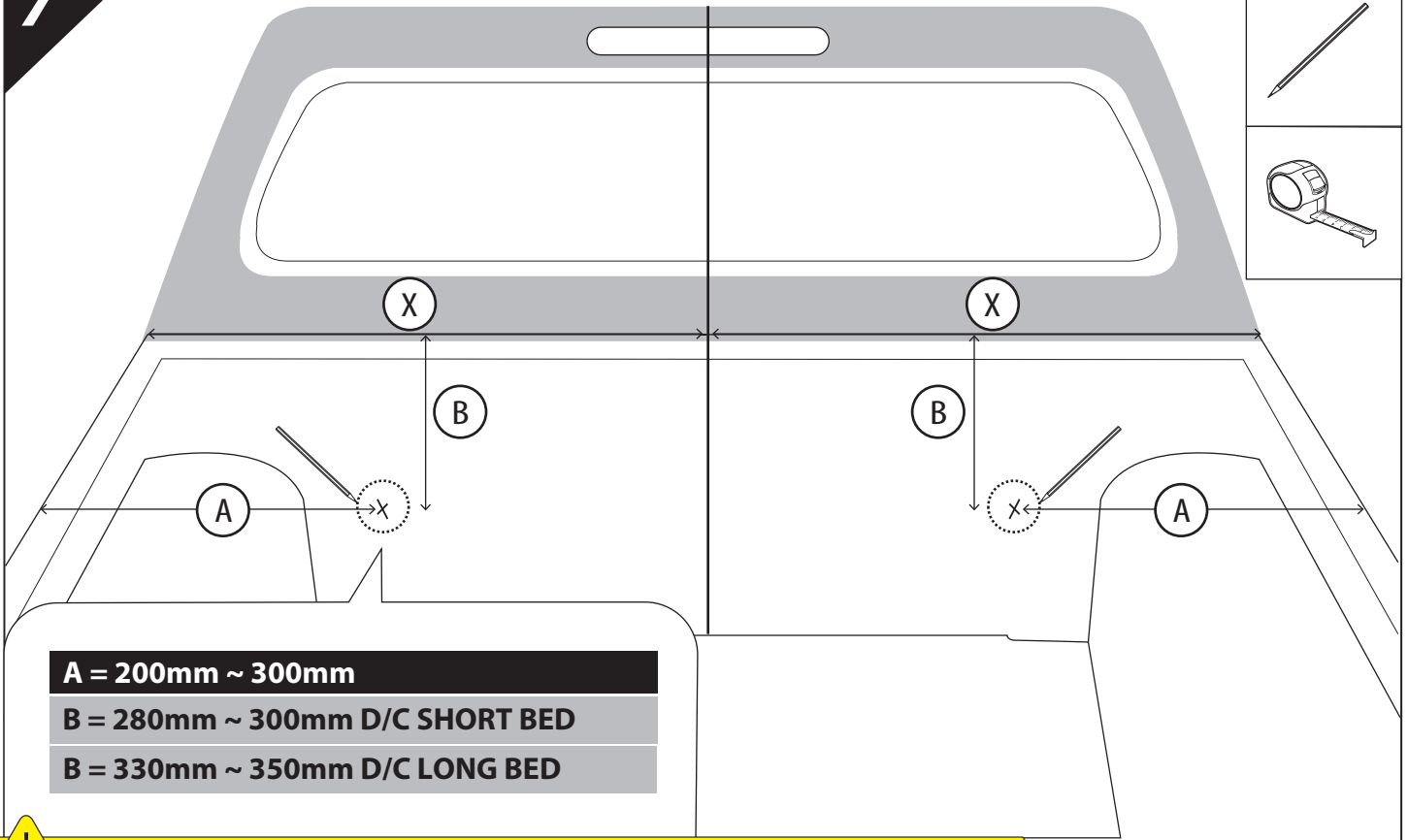


4





7

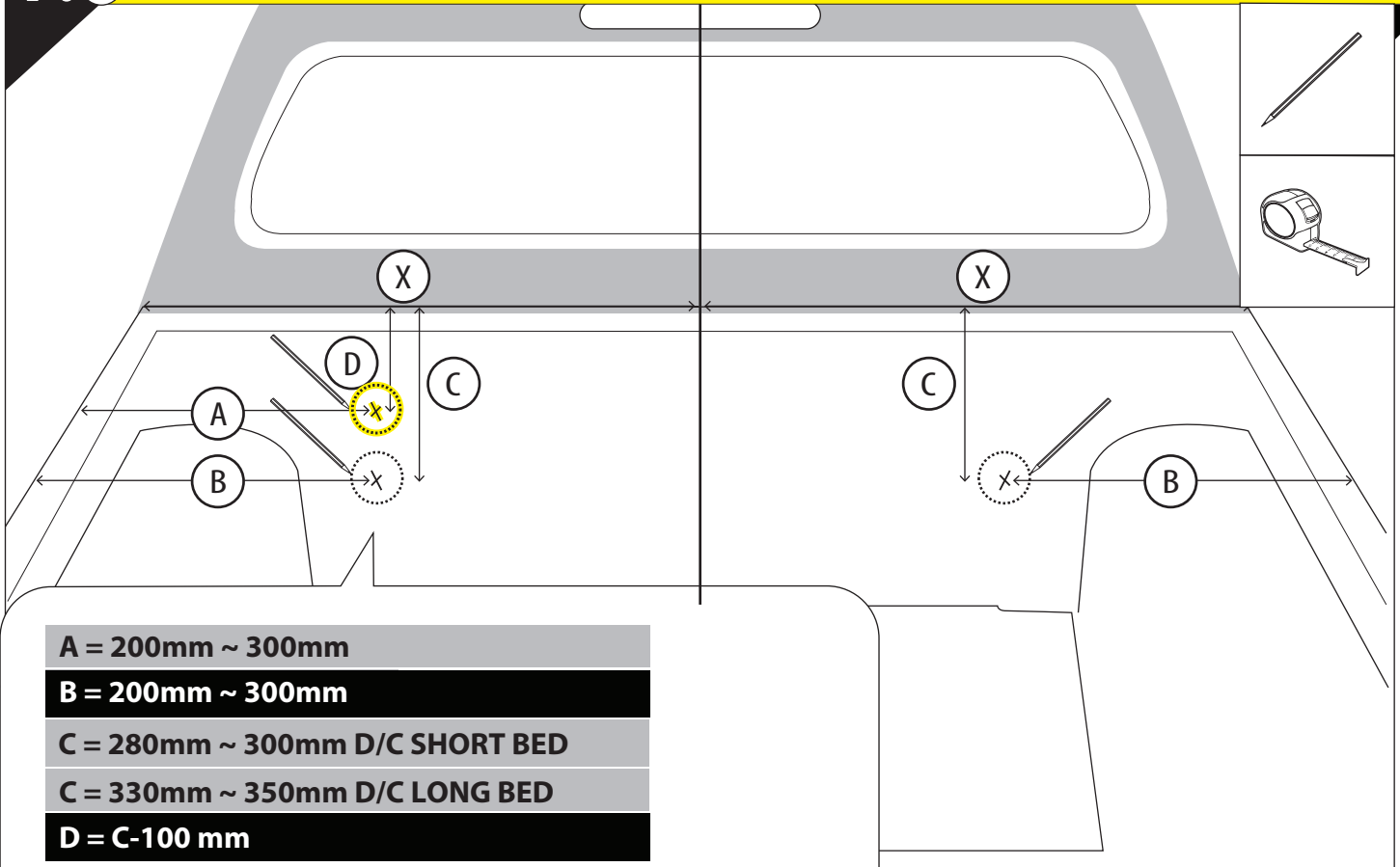


- A = 200mm ~ 300mm**
- B = 280mm ~ 300mm D/C SHORT BED**
- B = 330mm ~ 350mm D/C LONG BED**

! TRY TO FIND FREE & STRAIGHT SPOTS IN THESE DIMENSIONS ACCORDINGLY

7.1

! CAUTION: ONLY FOR SE+



- A = 200mm ~ 300mm**
- B = 200mm ~ 300mm**
- C = 280mm ~ 300mm D/C SHORT BED**
- C = 330mm ~ 350mm D/C LONG BED**
- D = C-100 mm**

! TRY TO FIND FREE & STRAIGHT SPOTS IN THESE DIMENSIONS ACCORDINGLY

8

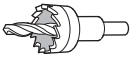
CAUTION

CAUTION

max: 2 mm

5 mm

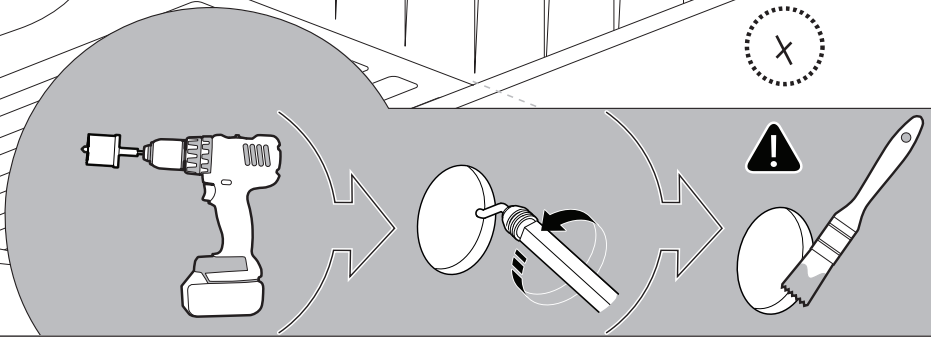
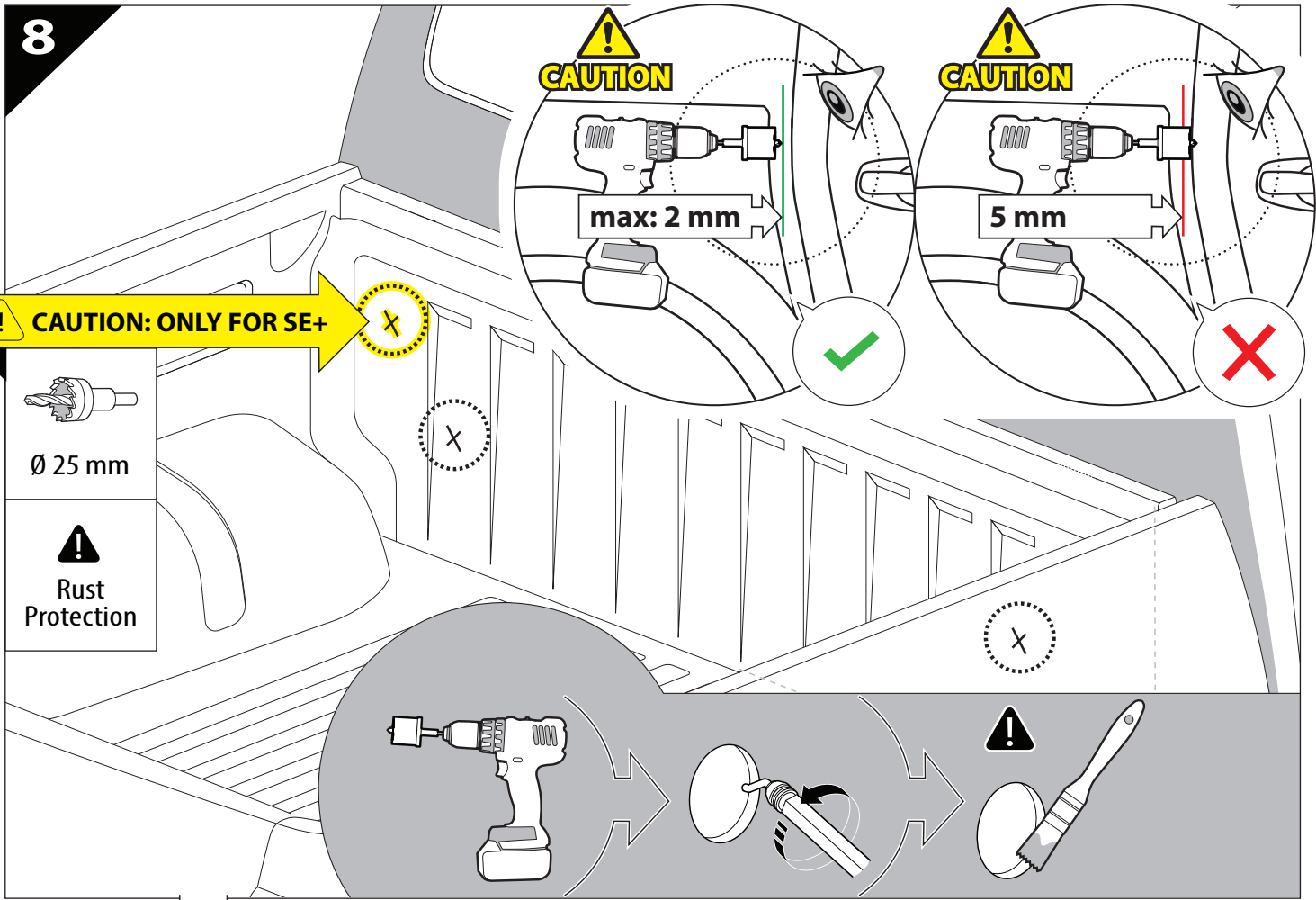
CAUTION: ONLY FOR SE+



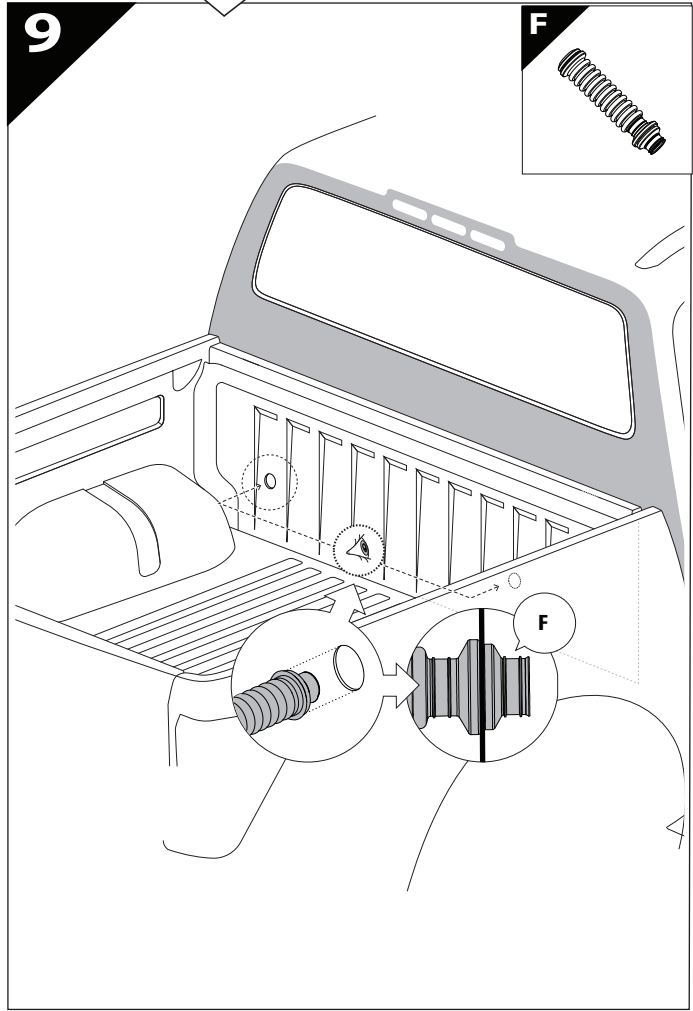
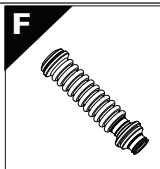
Ø 25 mm



Rust Protection

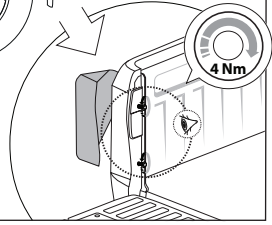
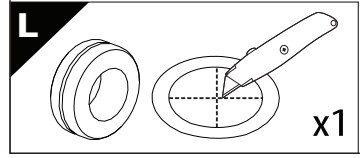
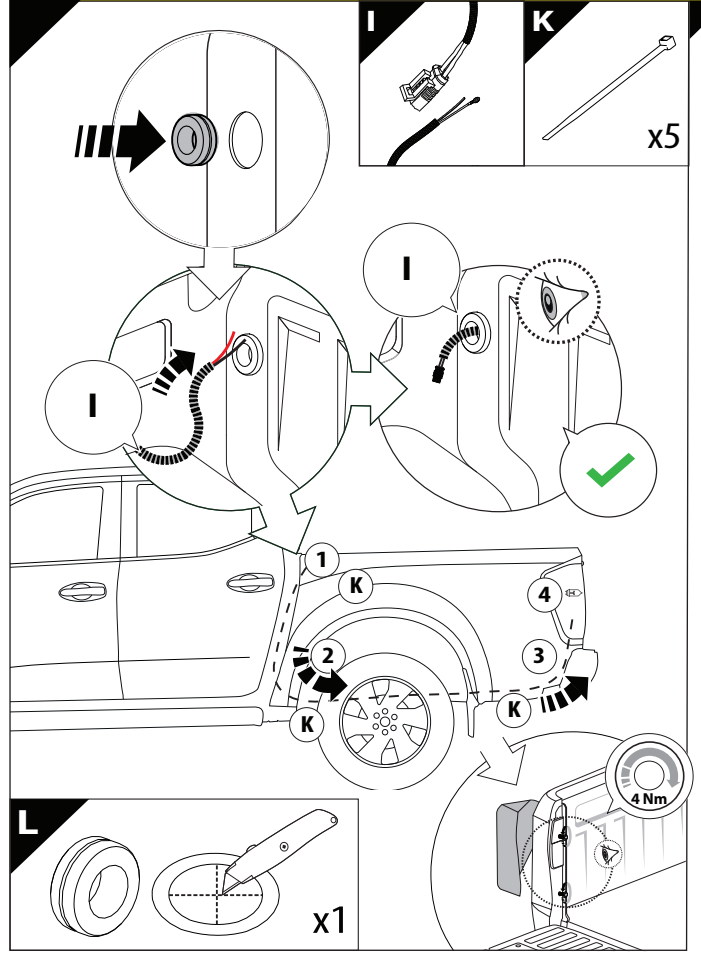
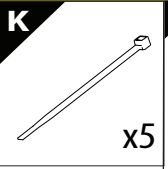
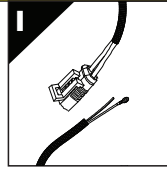


9

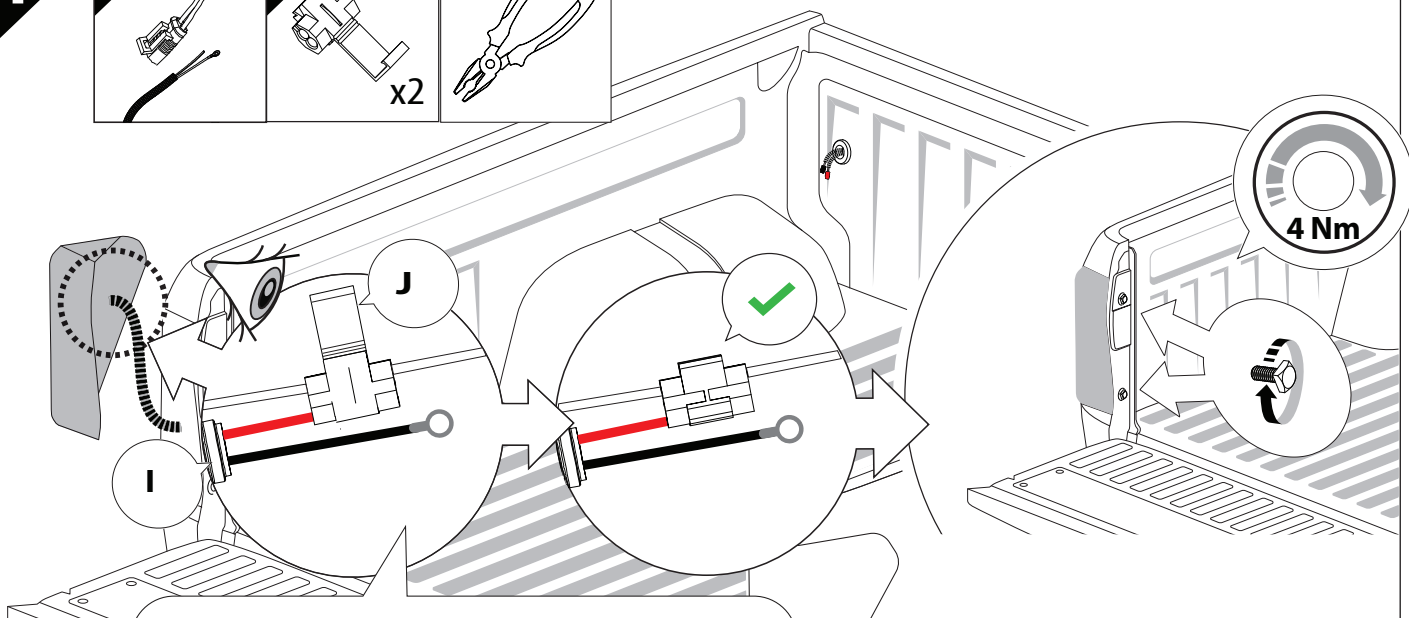
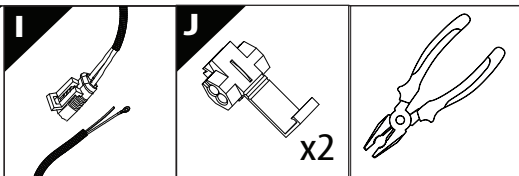


10

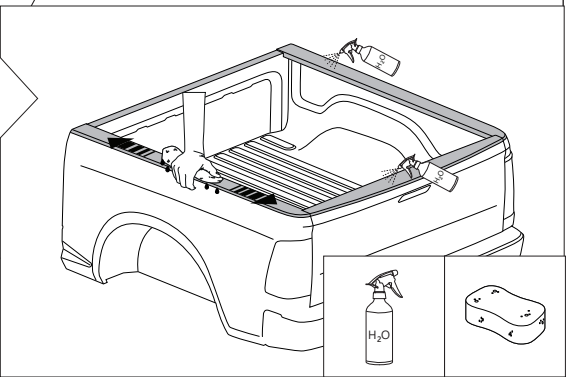
CAUTION: ONLY FOR SE+



11

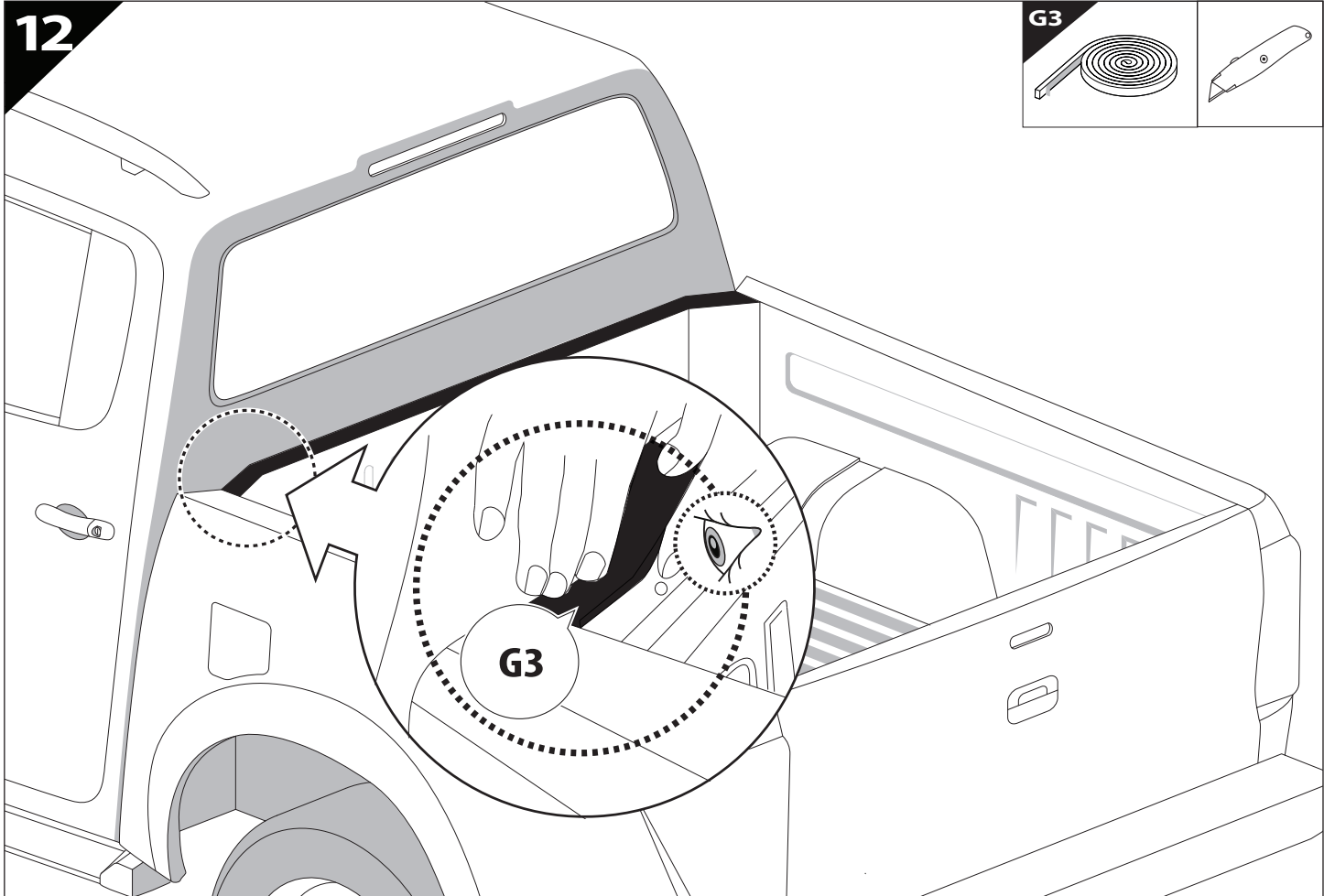
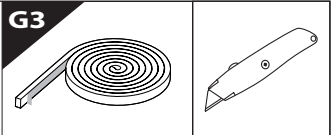


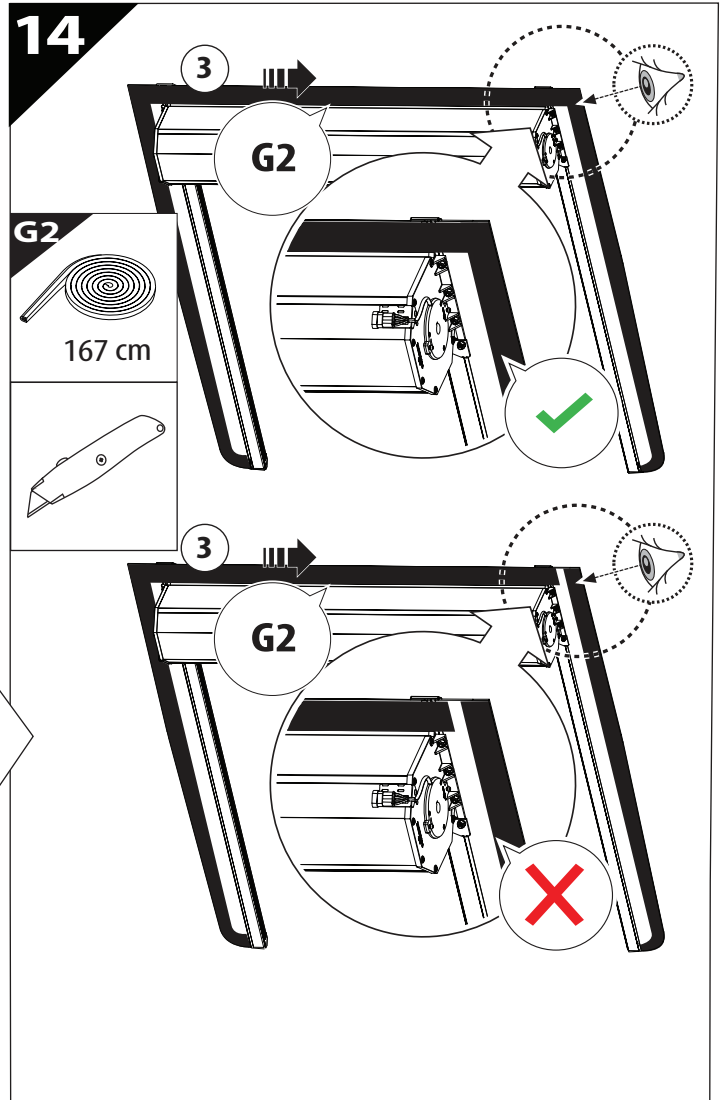
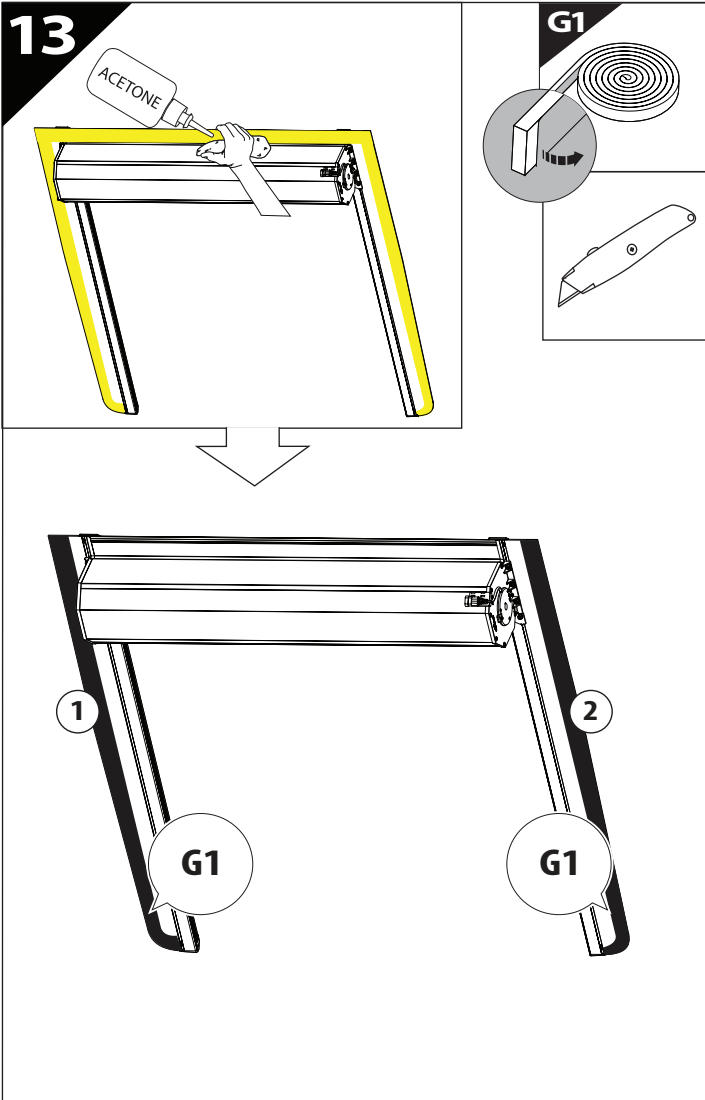
	CAR		TESSERA SE+
BEAM:	LIGHT SIGNAL	↔	
			OR
BRAKE:	LIGHT SIGNAL	↔	

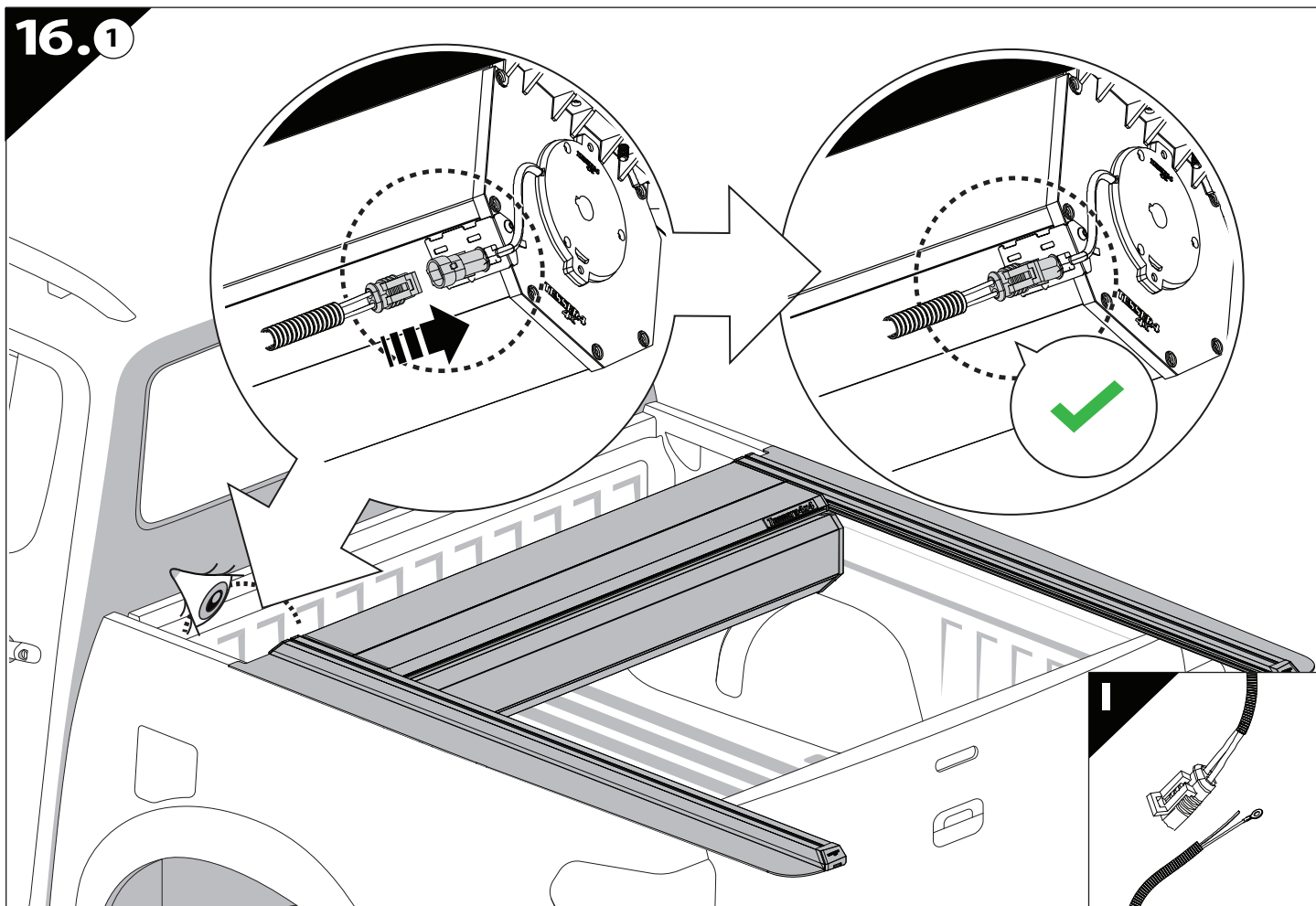
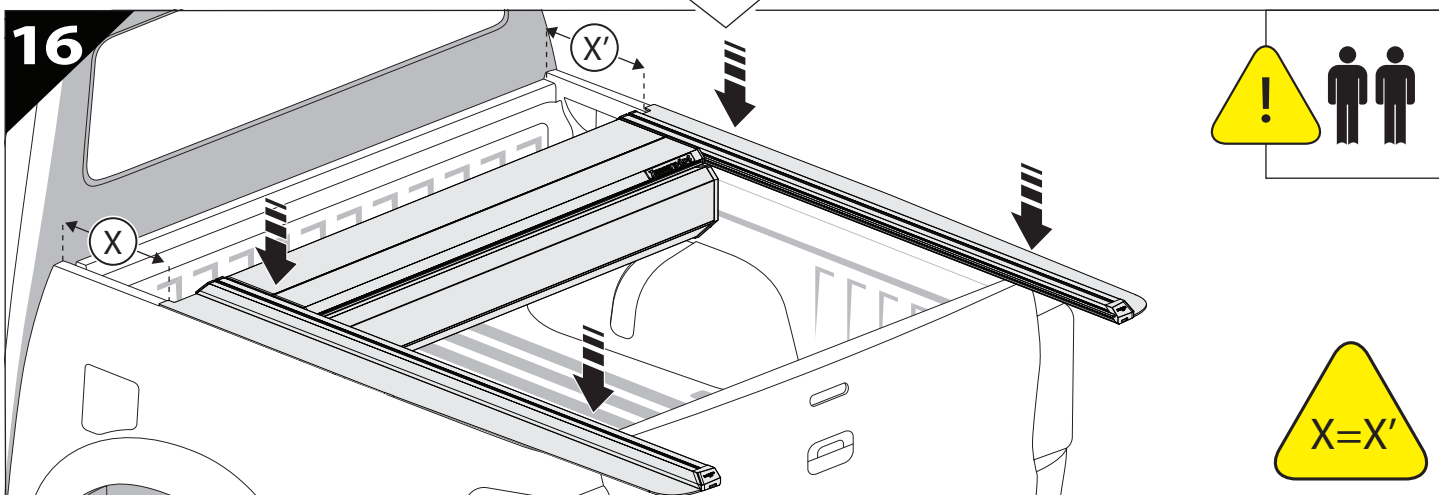
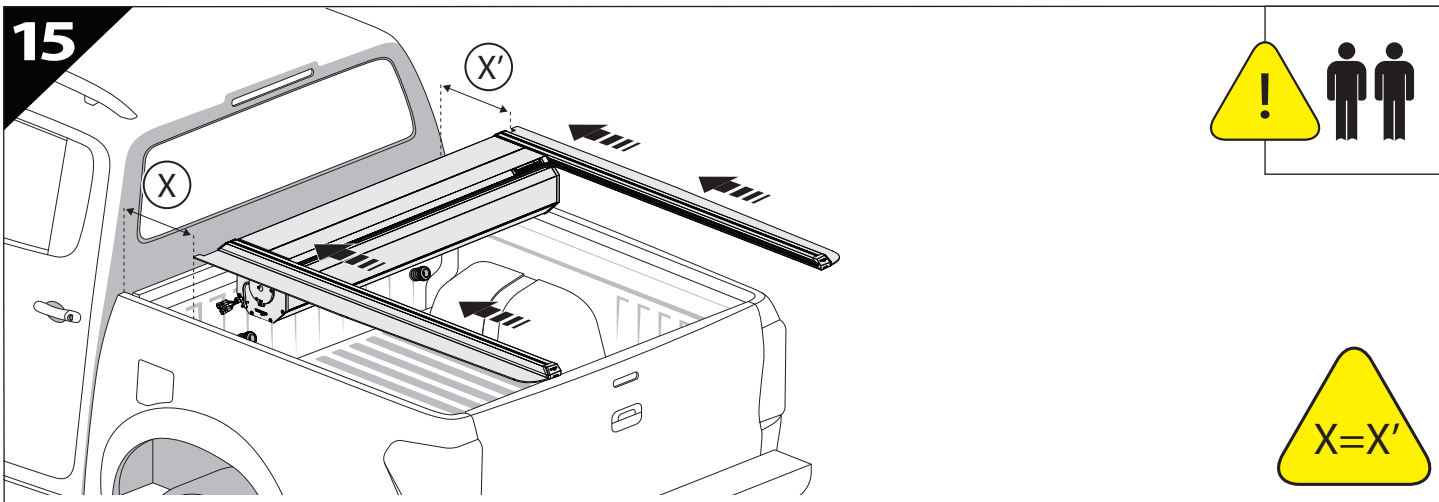


CONSULT YOUR VEHICLE ENGINEER OR A QUALIFIED ELECTRICIAN TO LOCATE AND CONNECT THE GROUND WIRE.

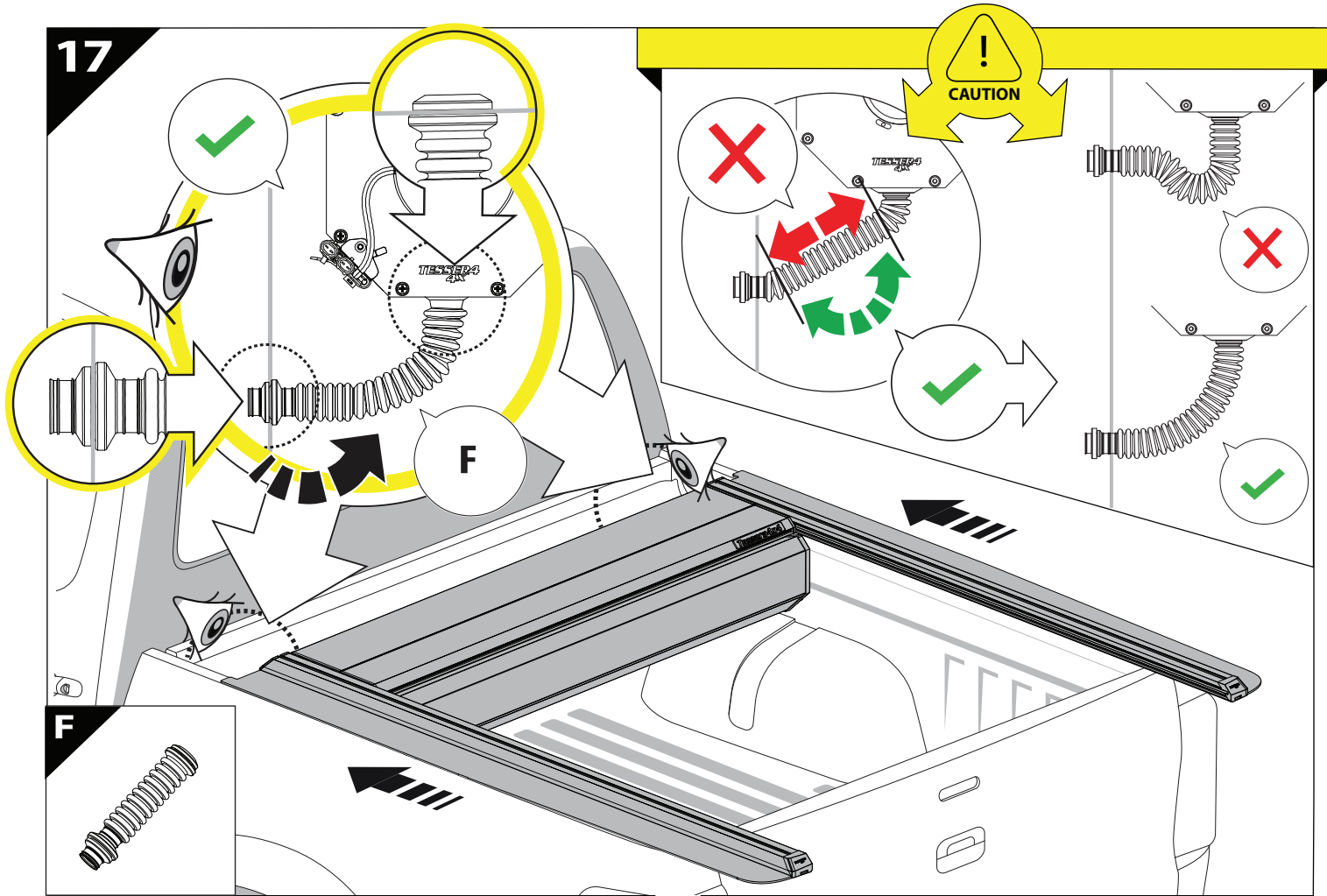
12



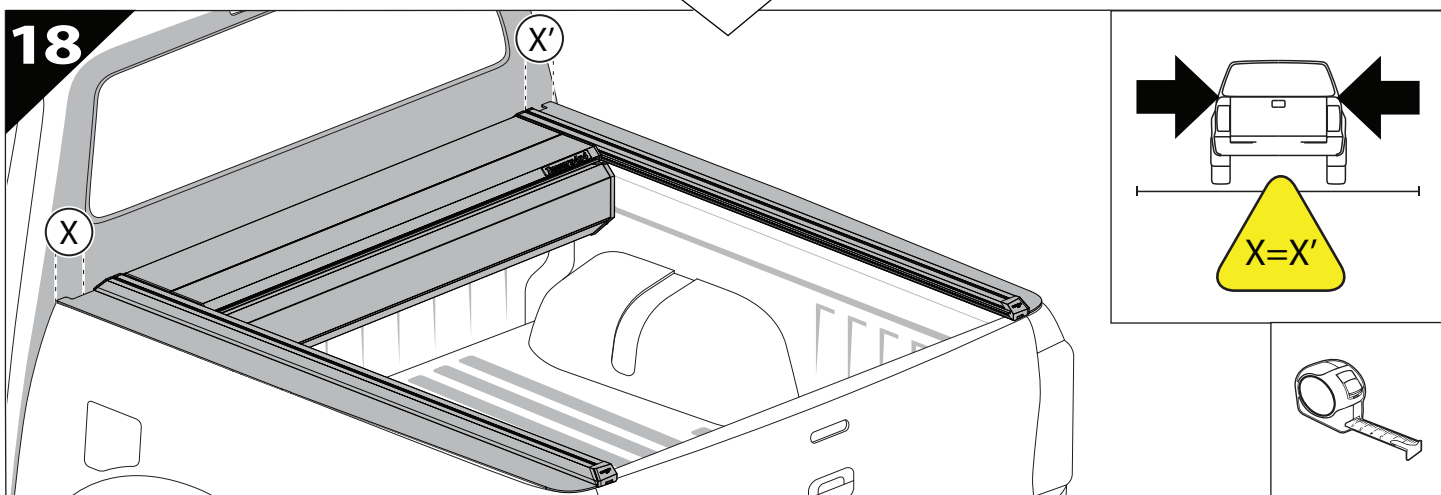




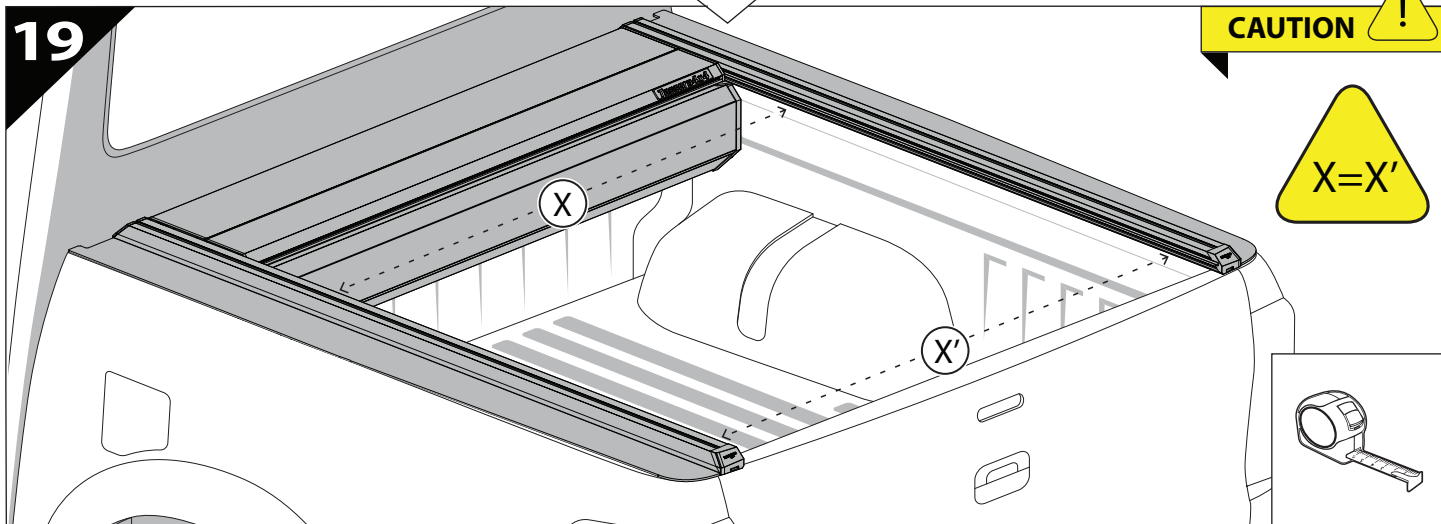
17



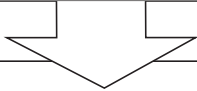
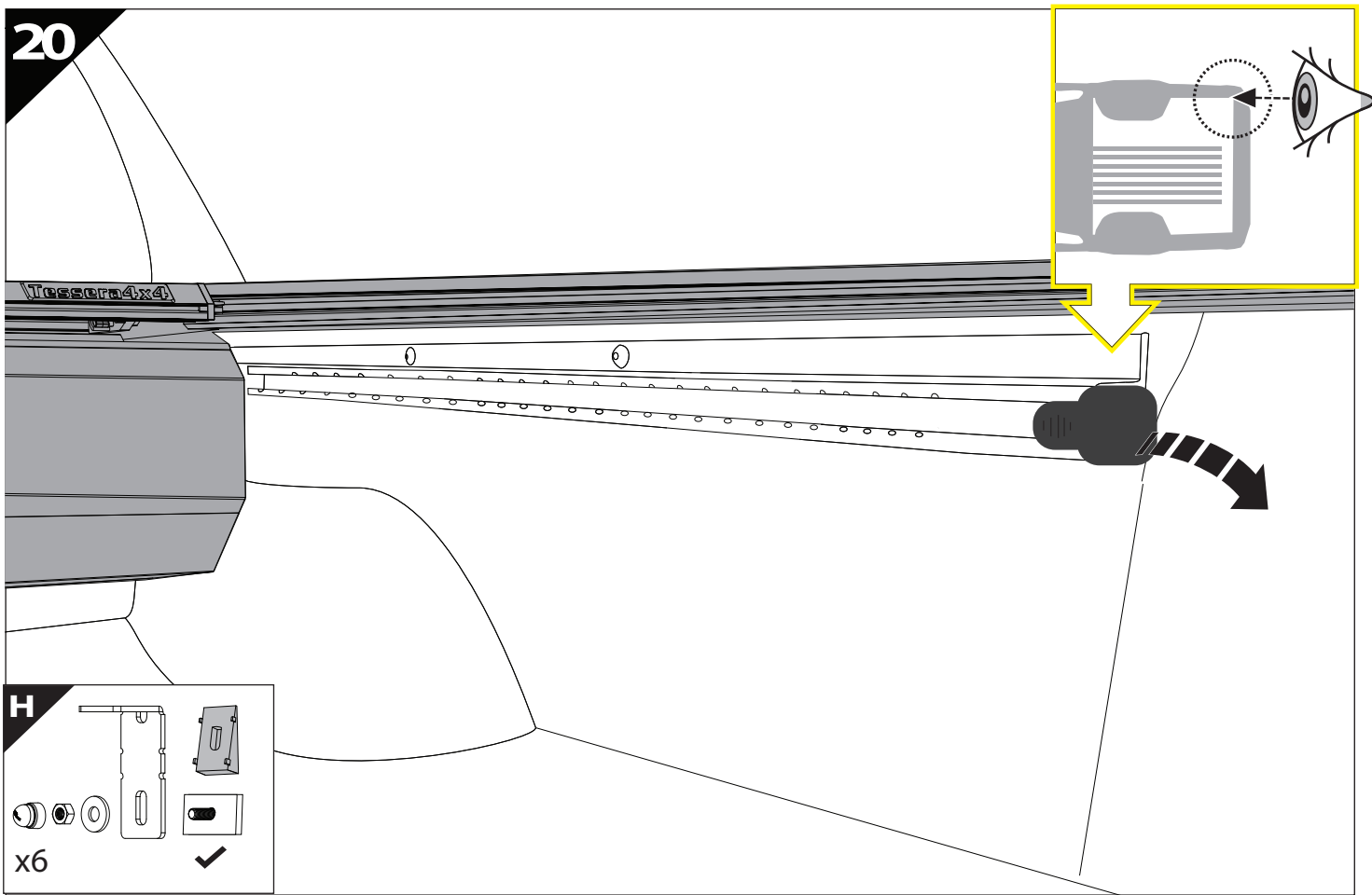
18



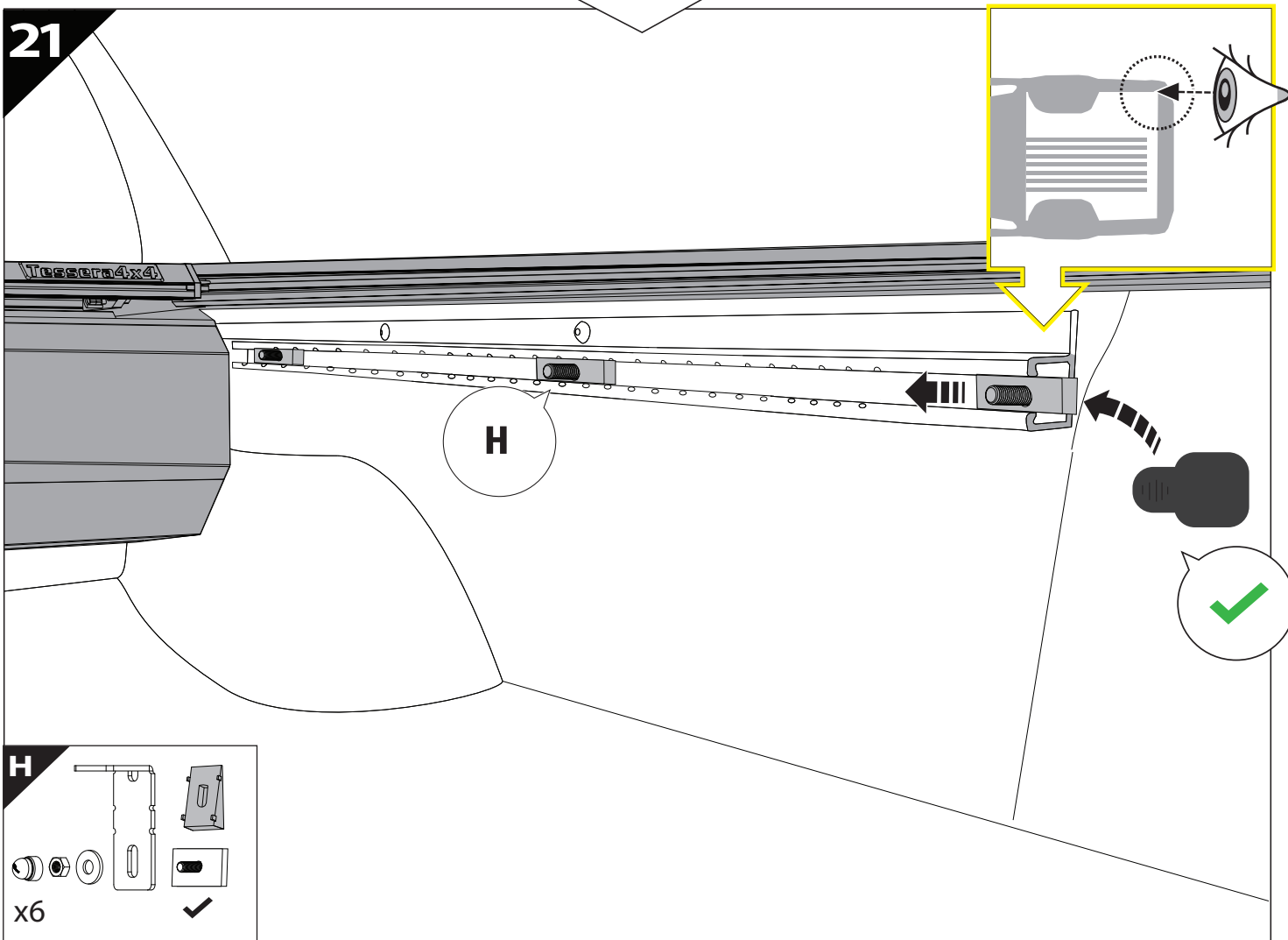
19



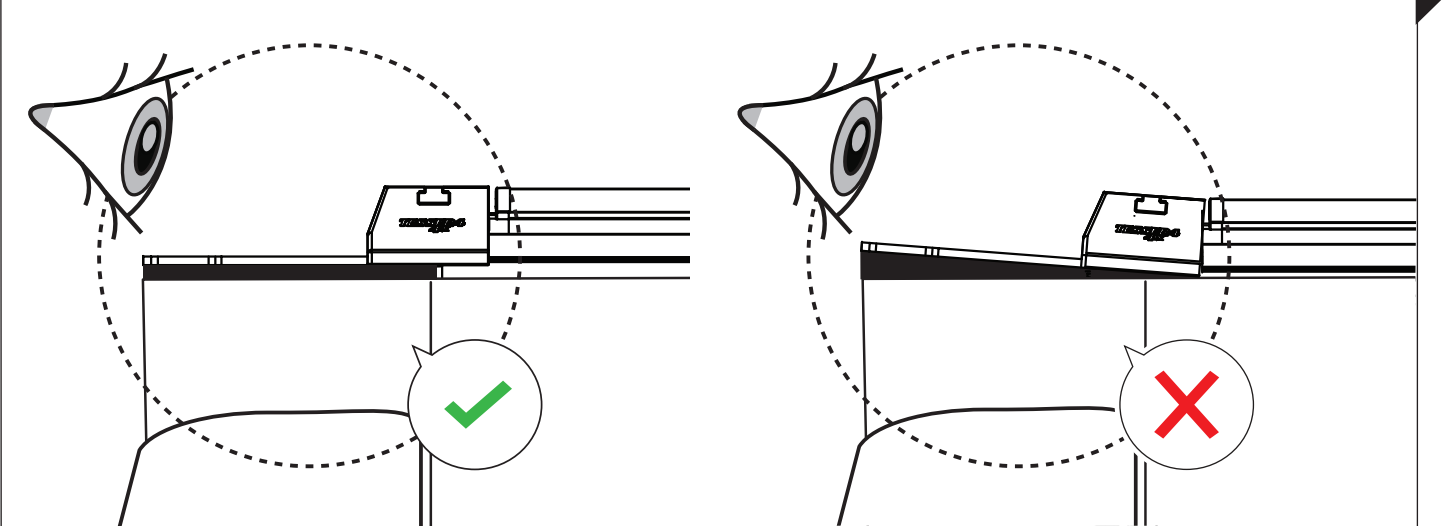
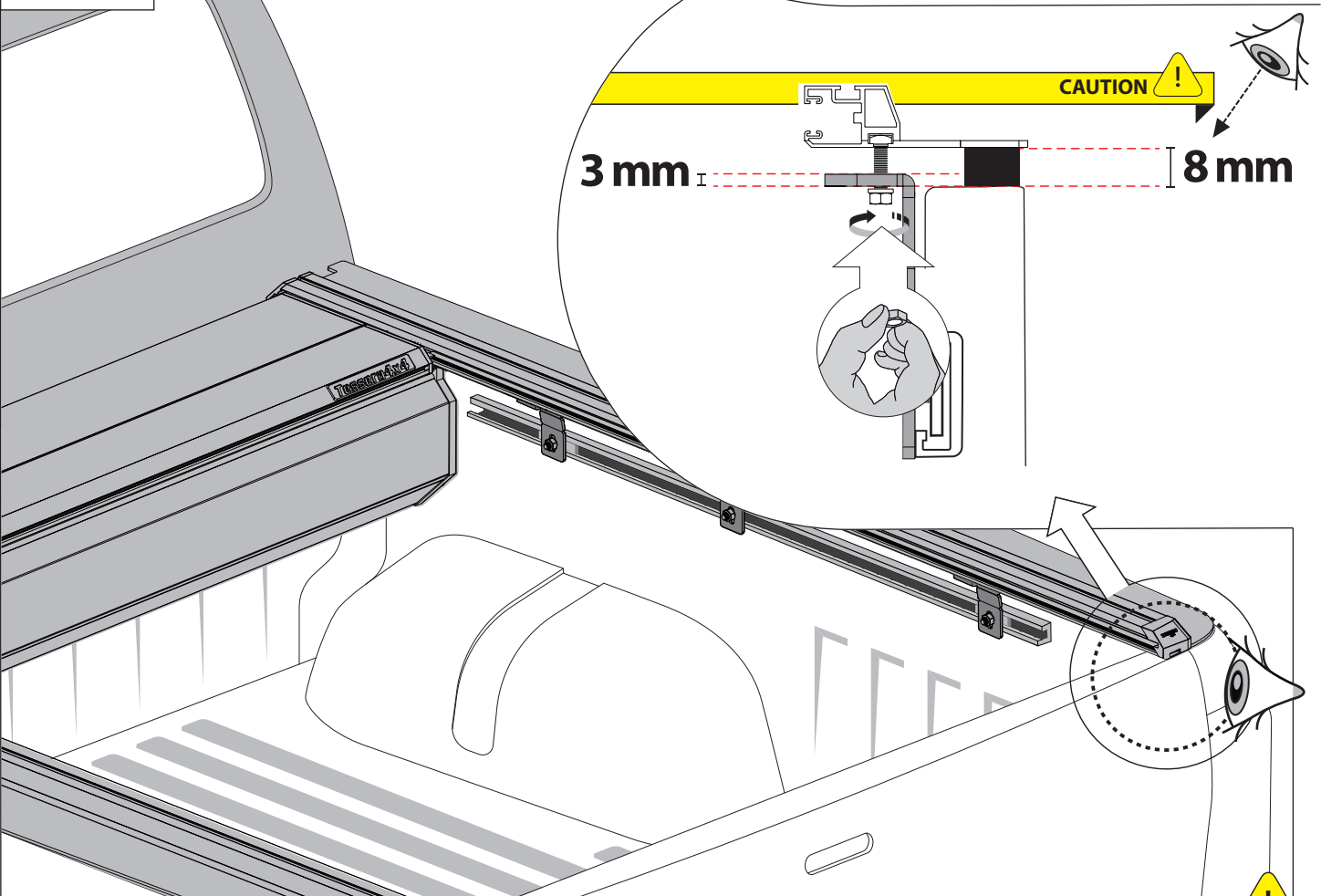
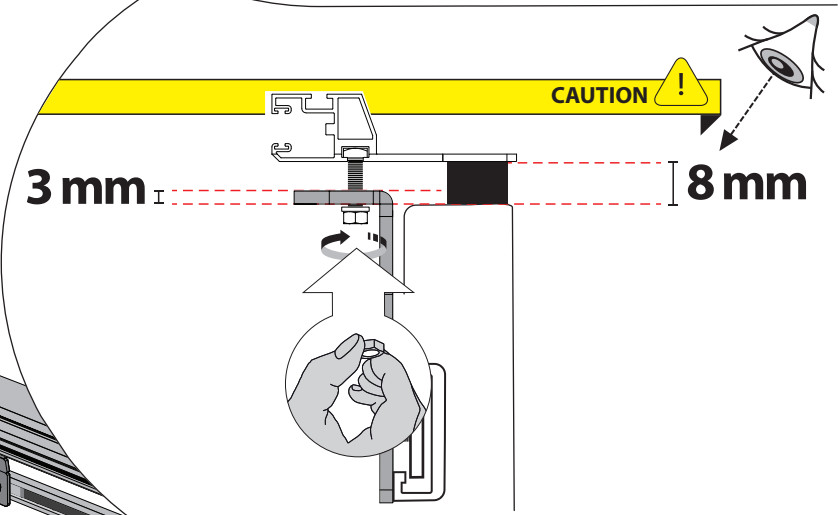
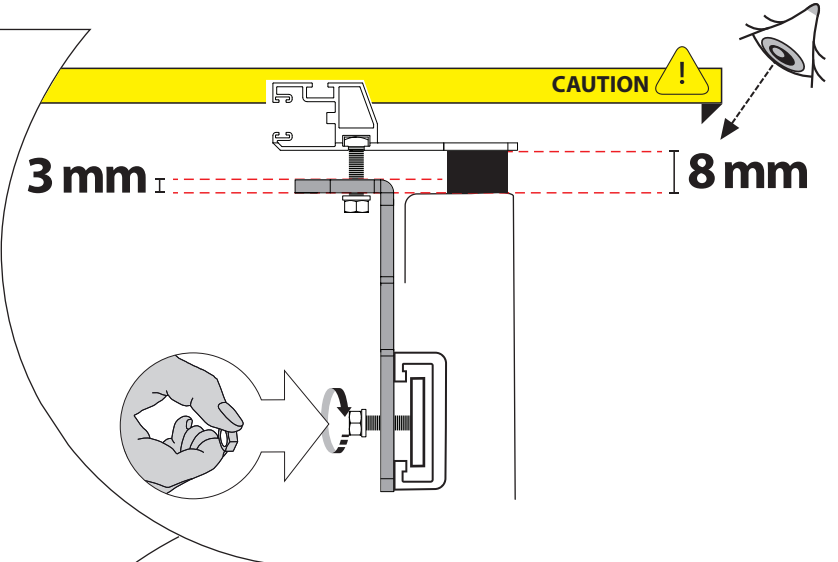
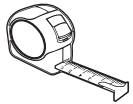
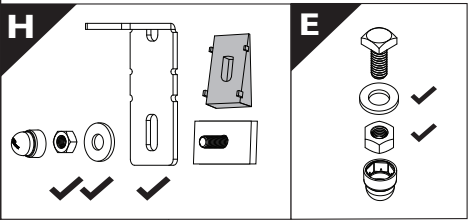
20

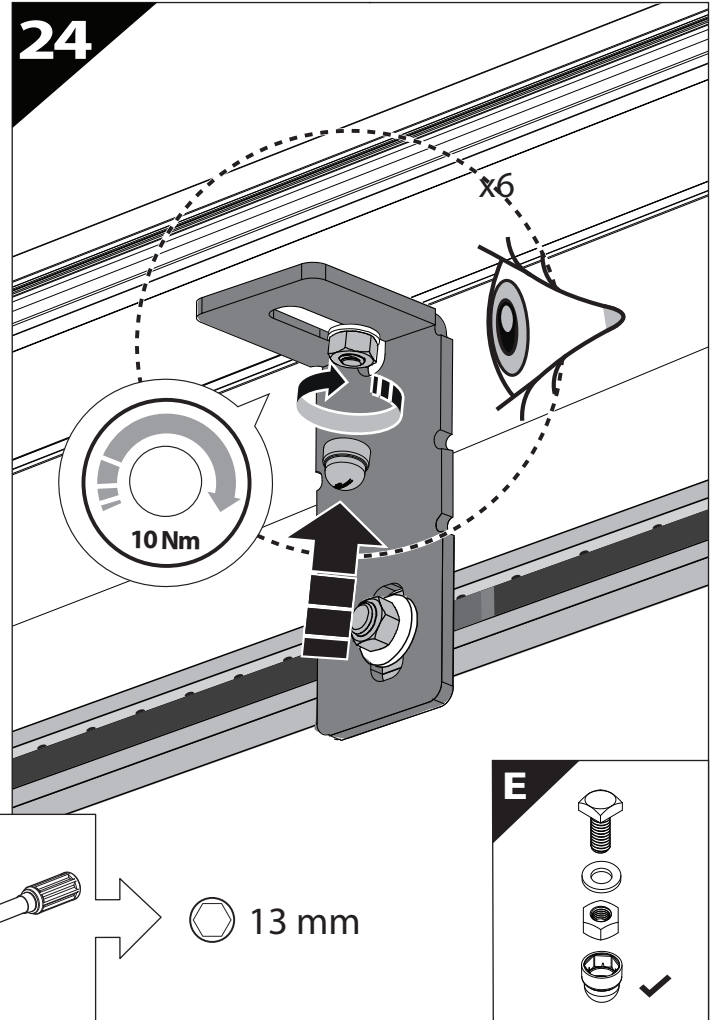
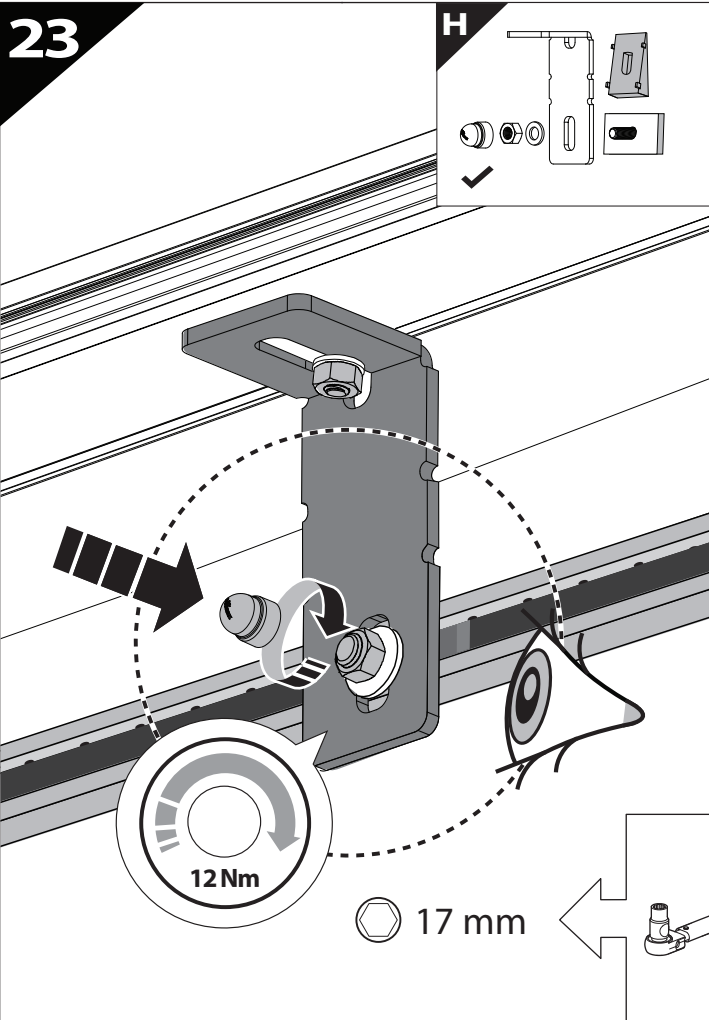


21

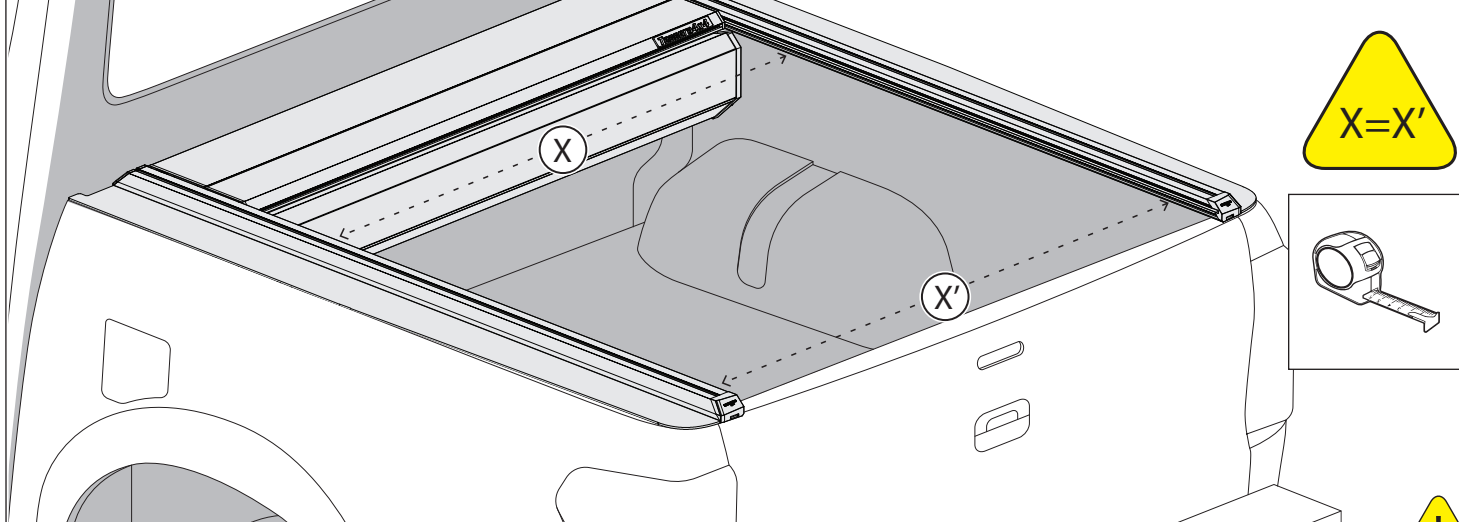


22

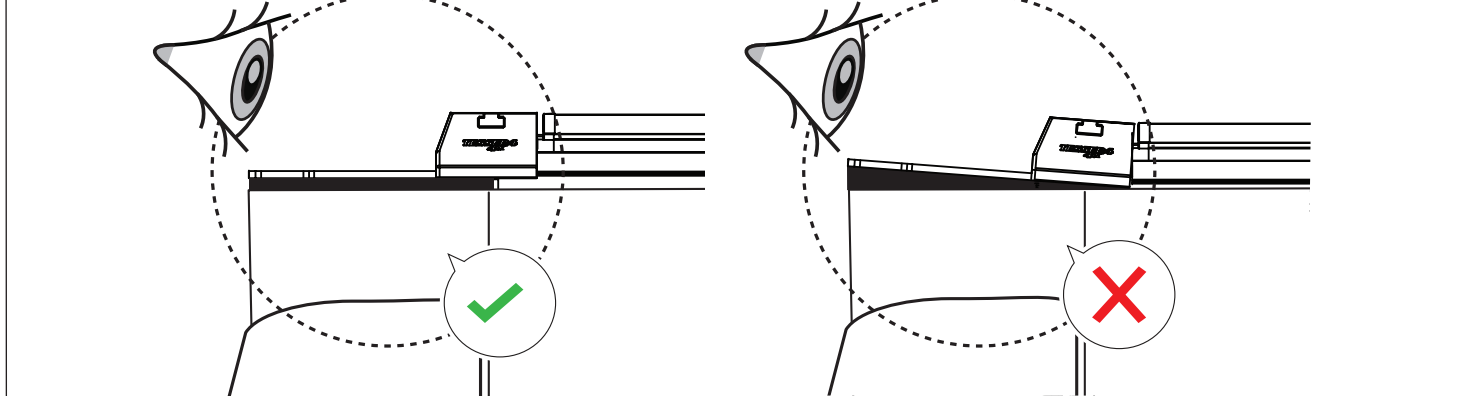




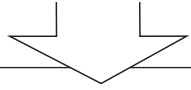
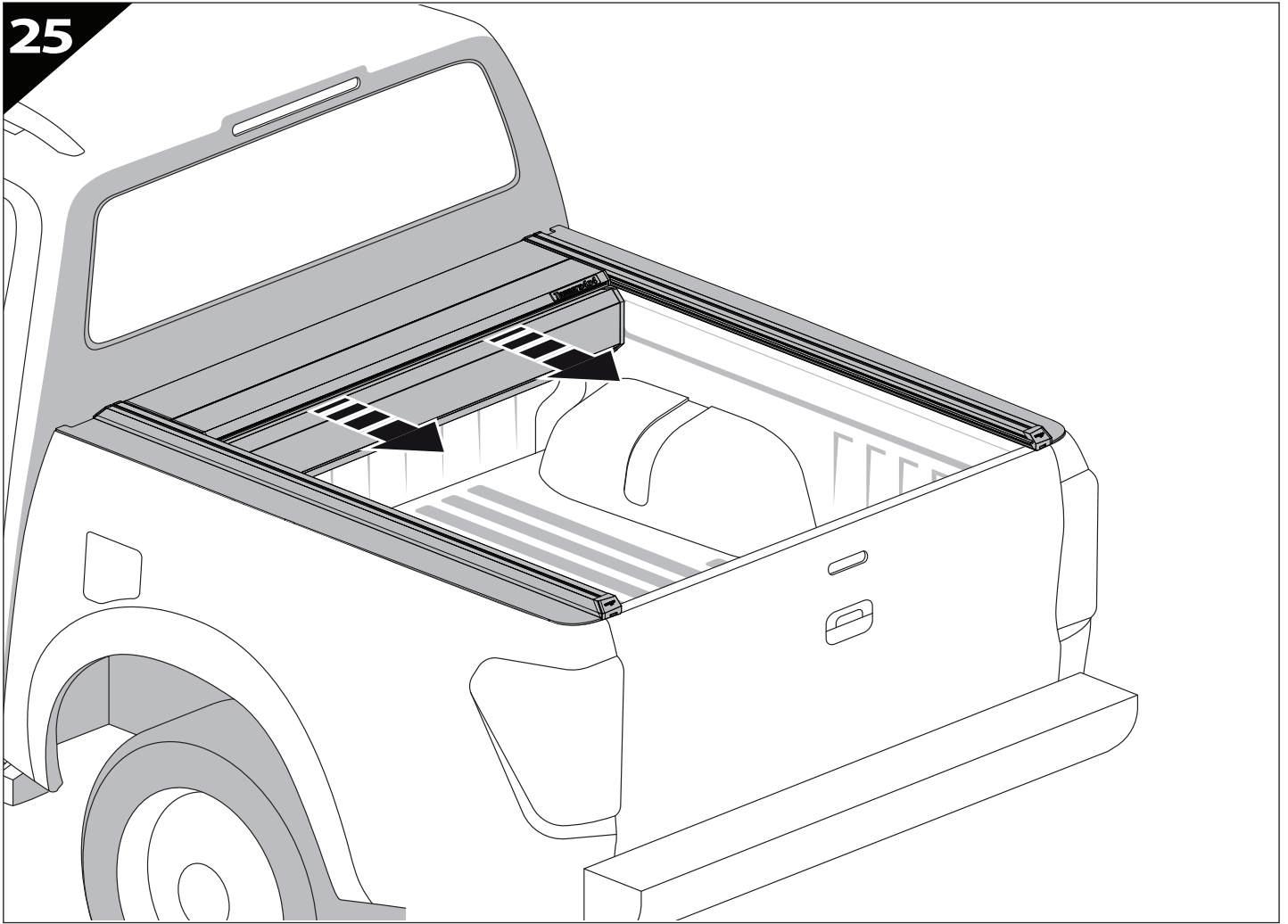
CAUTION !



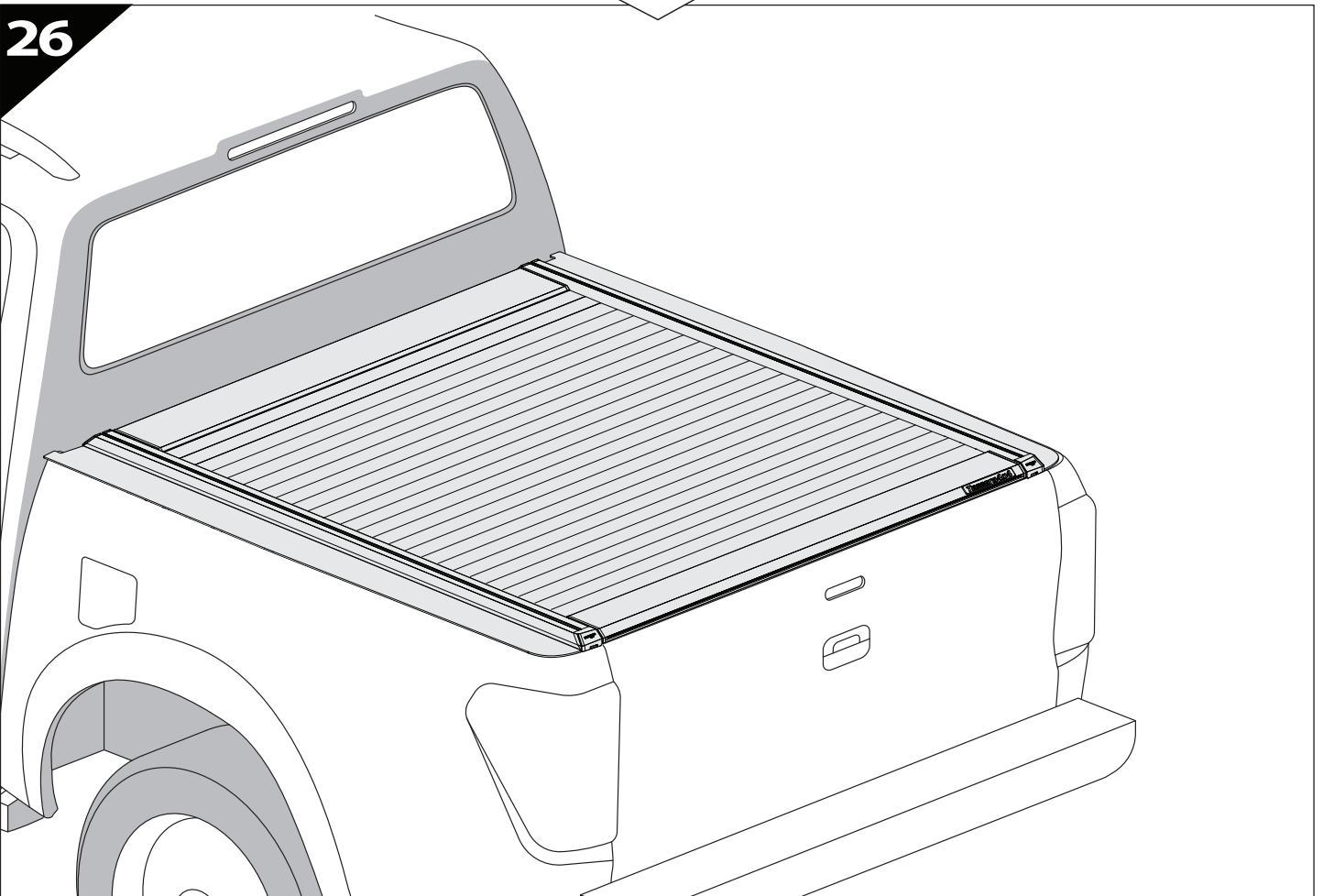
CAUTION !



25



26





GR: Οδηγίες Εγκατάστασης
GB: Installation manual
SF: Asennusohje
F: Notice de montage
PL: Instrukcja montażu
NL: Installatie-instructies
TR: Montaj Talimatı
S: Monteringsanvisning
E: Instrucciones de montaje

H: Szerelési utasítás
P: Instruções de instalação
RUS: Инструкция по установке
N: Monteringsveiledning
D: Einbauanleitung
CZ: Návod k instalaci
I: Istruzioni de montaggio
DK: Monteringsvejledning
RO: Instructiuni de instalare

Customer Service:

+30 (210) 5541161, +30 (210) 5541154 (08:00 - 16:00 EET)

Support department:

info@gianso.gr

Website:

www.tessera4x4.com

Address:

19.5 km of National road Athens-Korinthos (Elefsina) Greece, P.C: 19200