

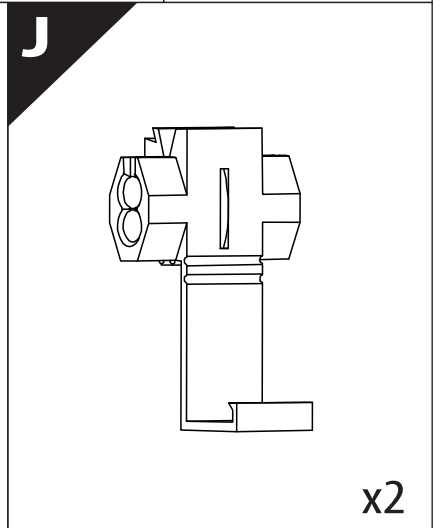
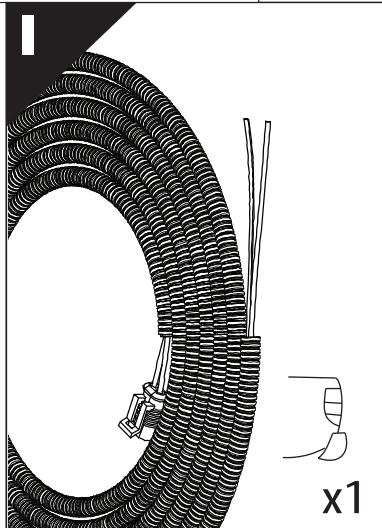
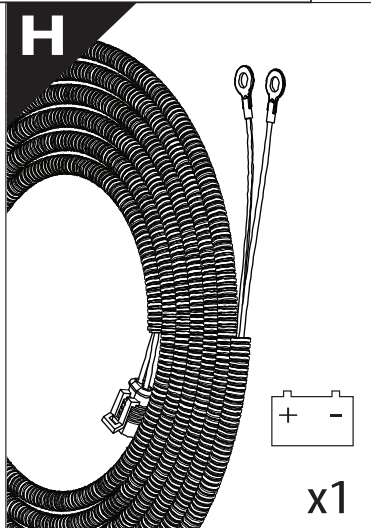
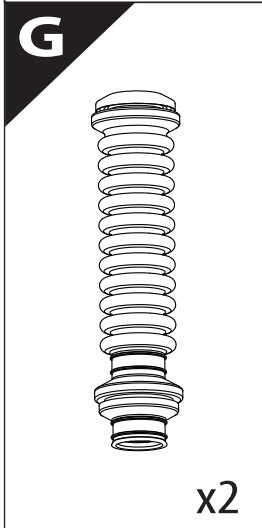
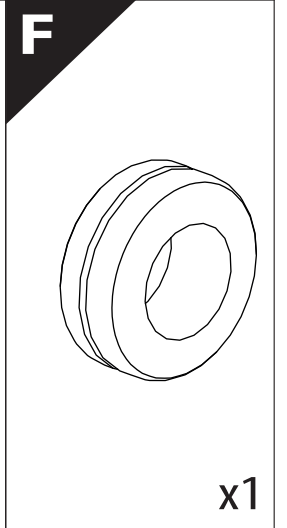
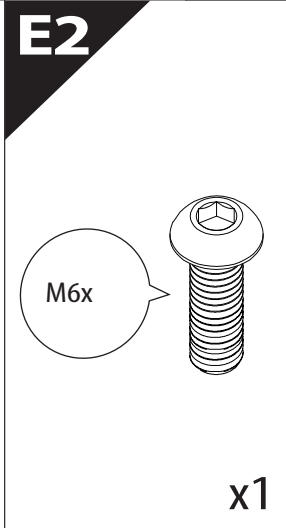
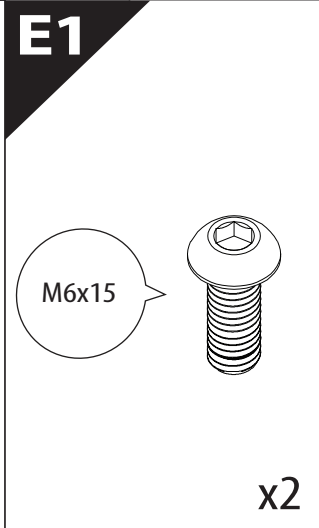
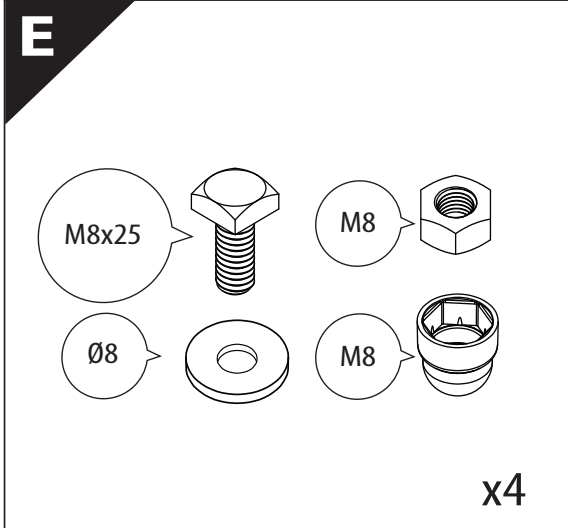
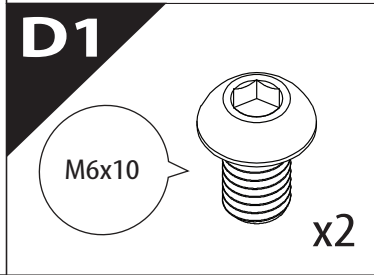
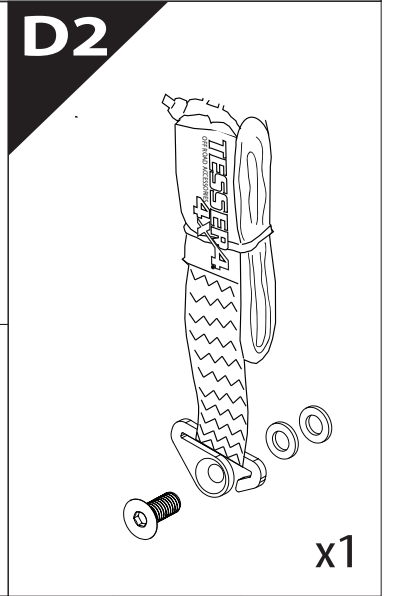
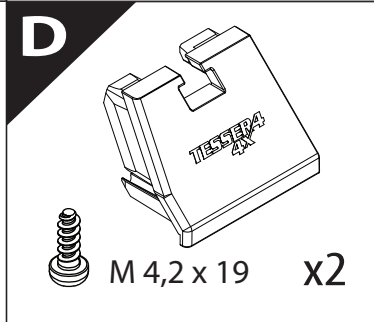
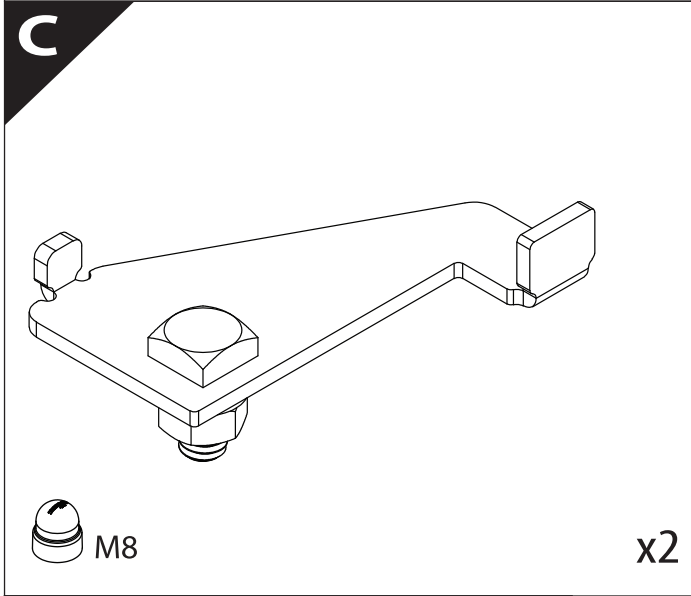
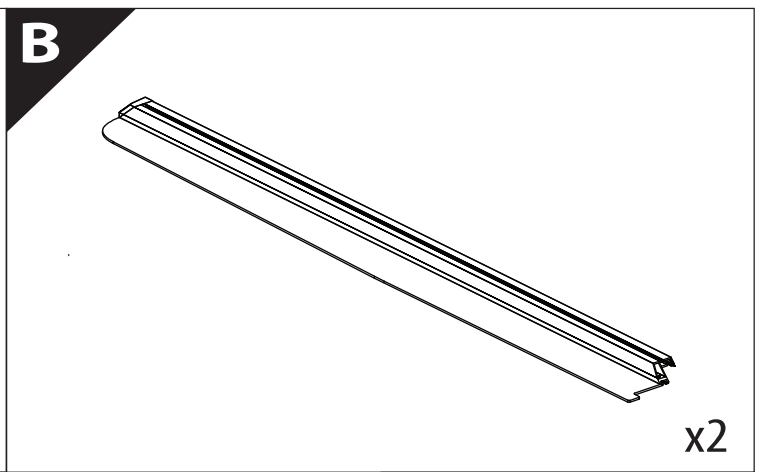
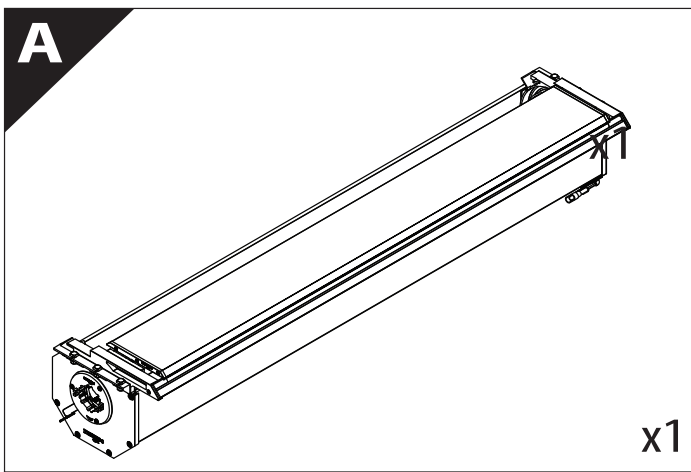
Tessera Roll+

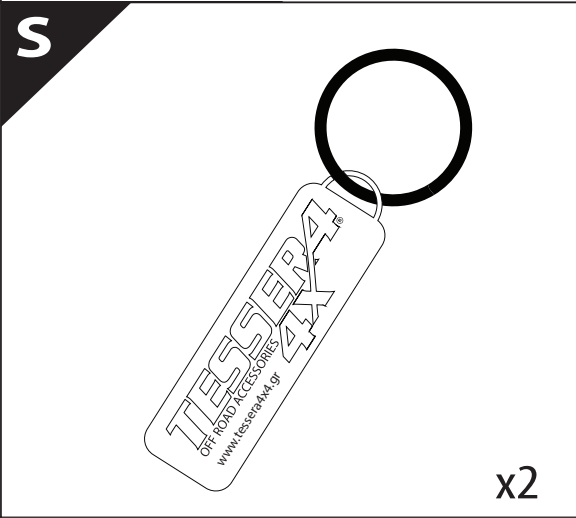
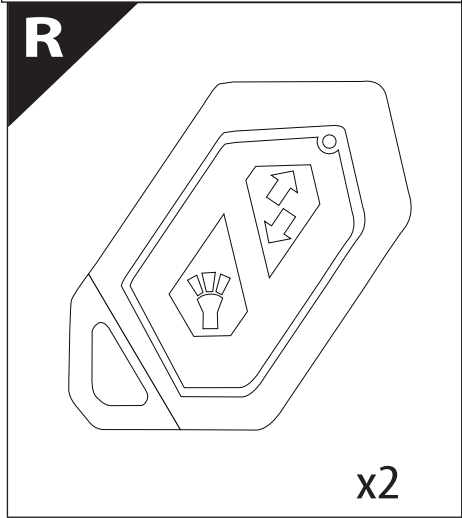
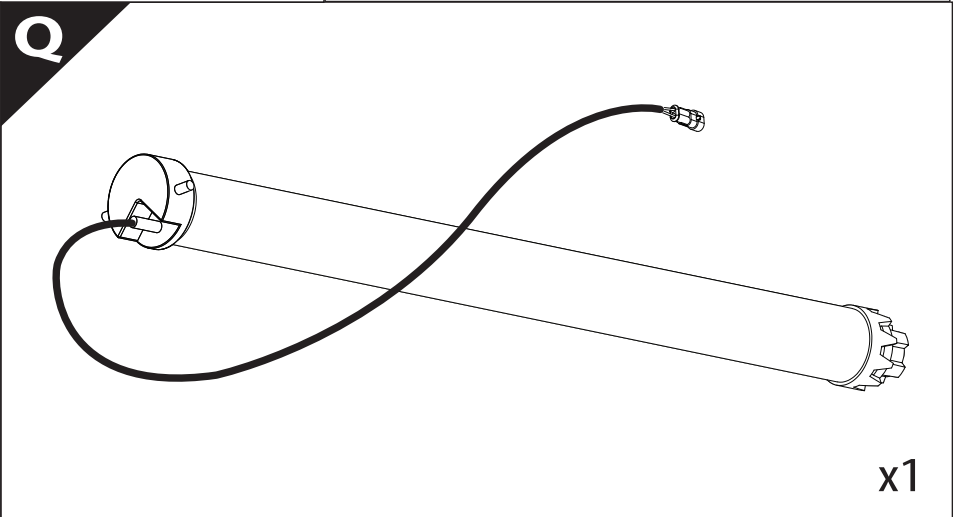
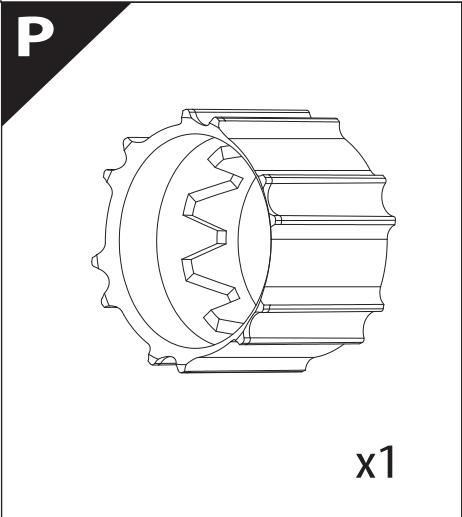
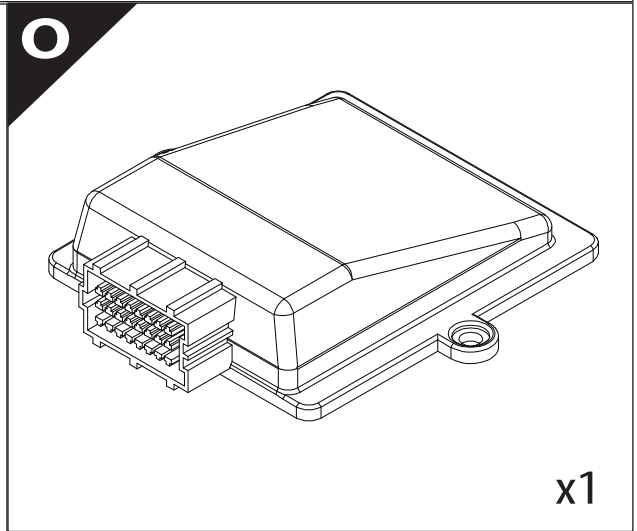
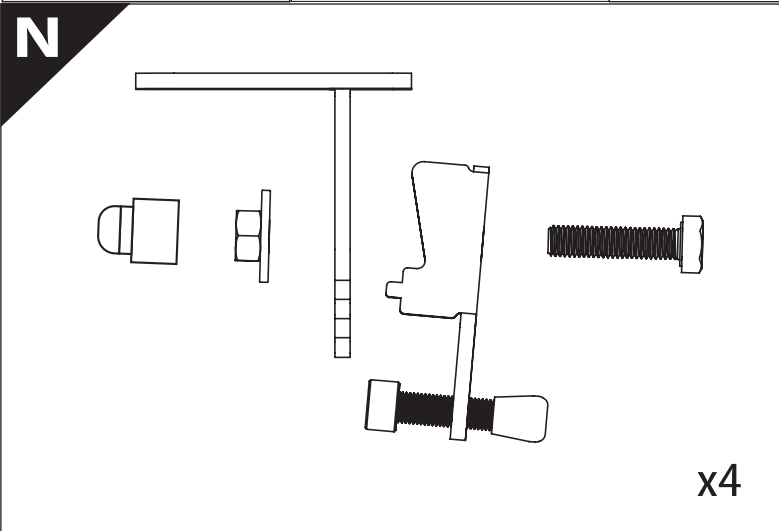
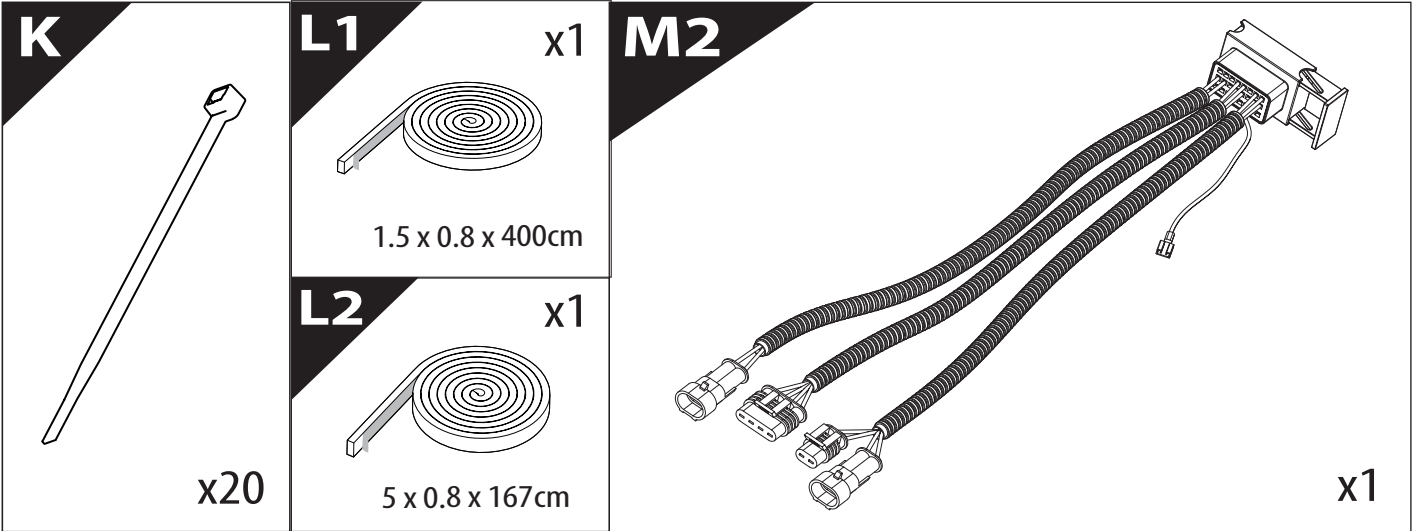
Basic Version + ⚡ E-KIT

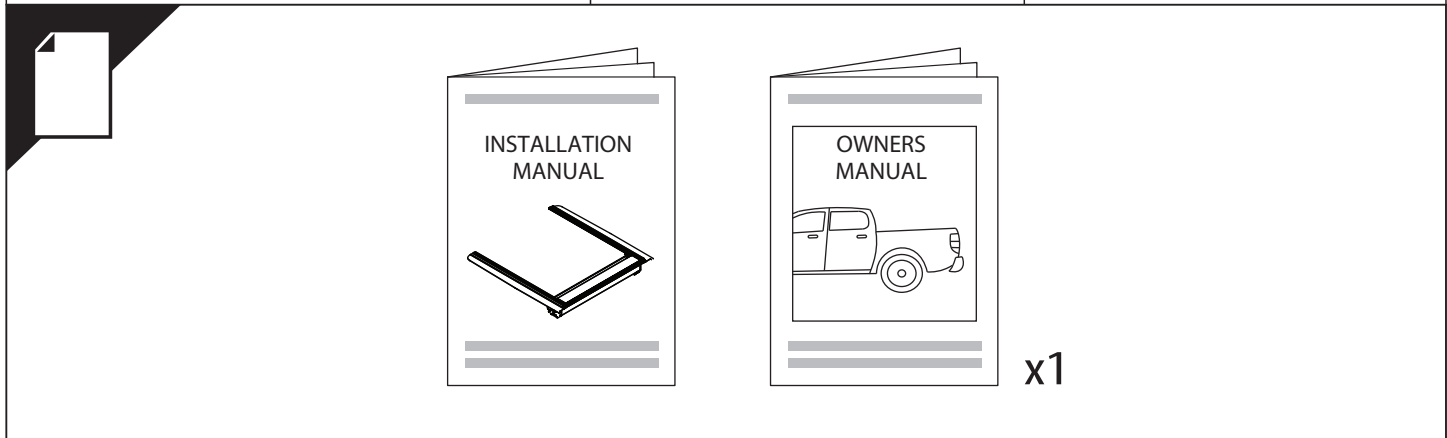
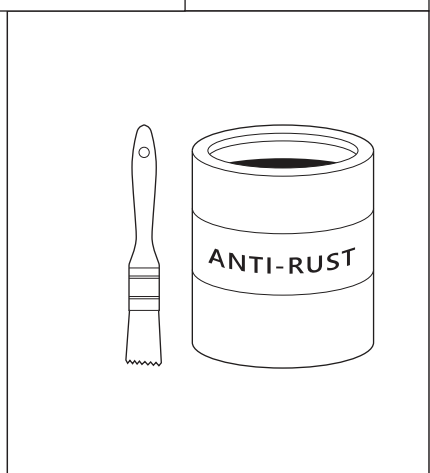
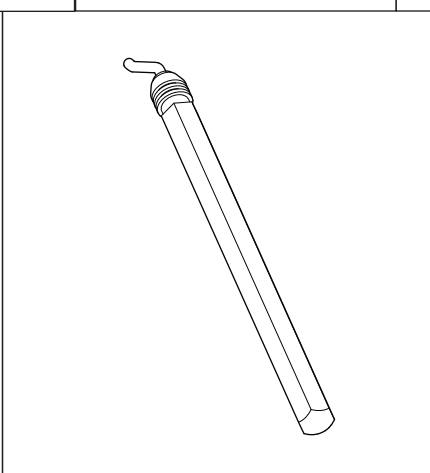
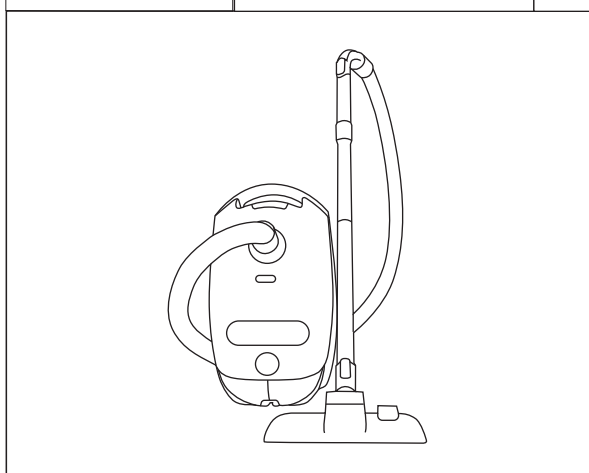
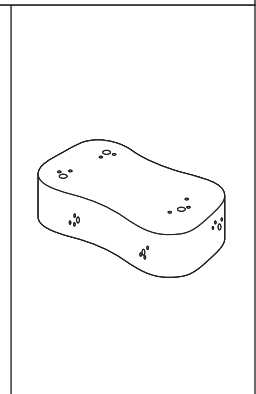
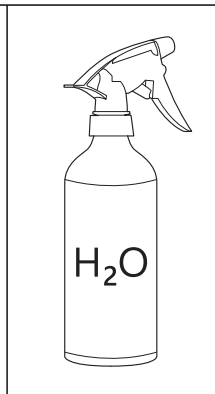
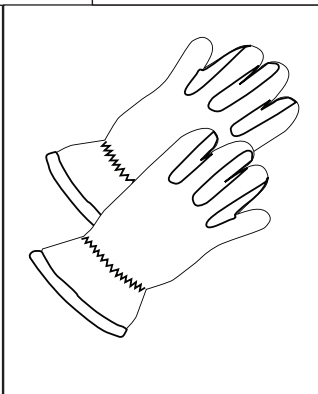
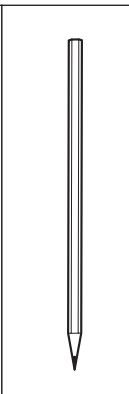
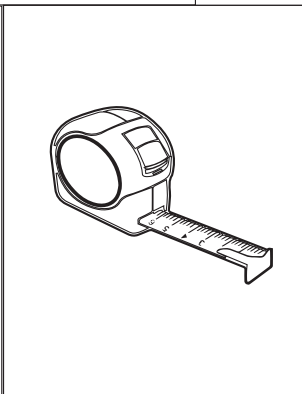
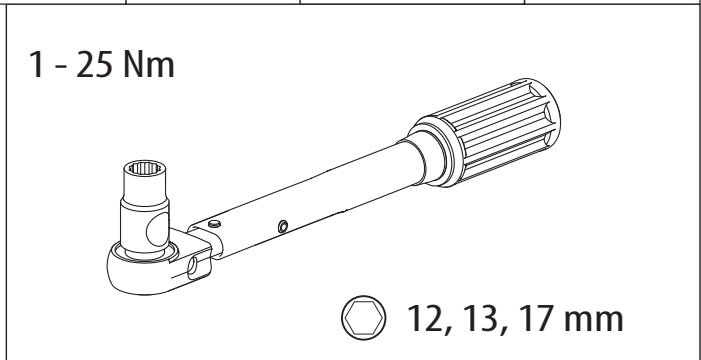
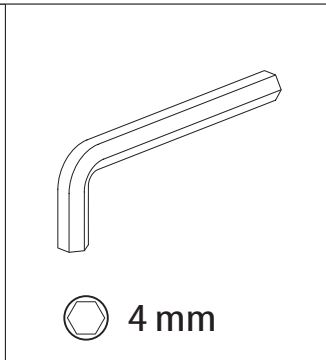
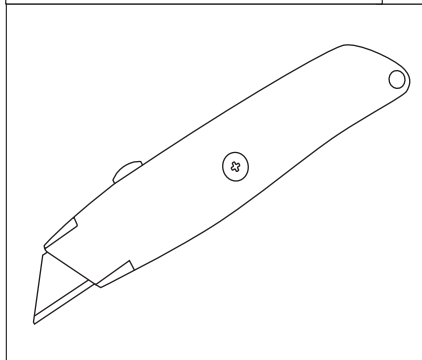
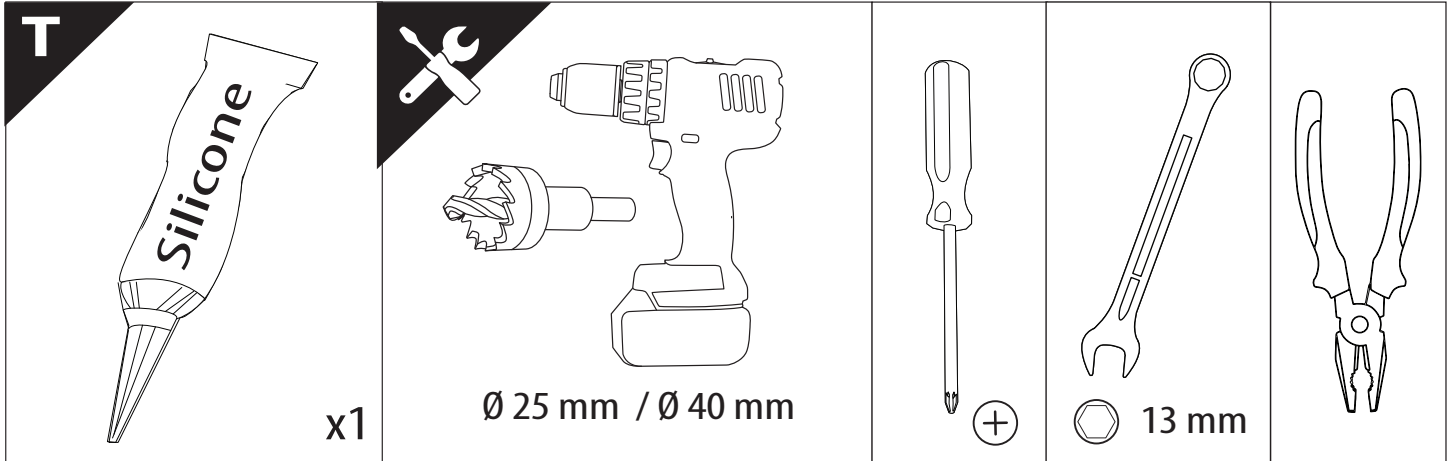


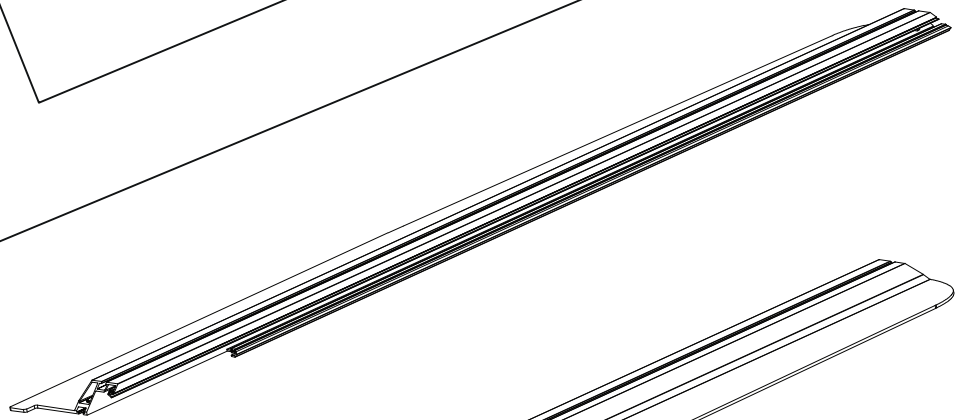
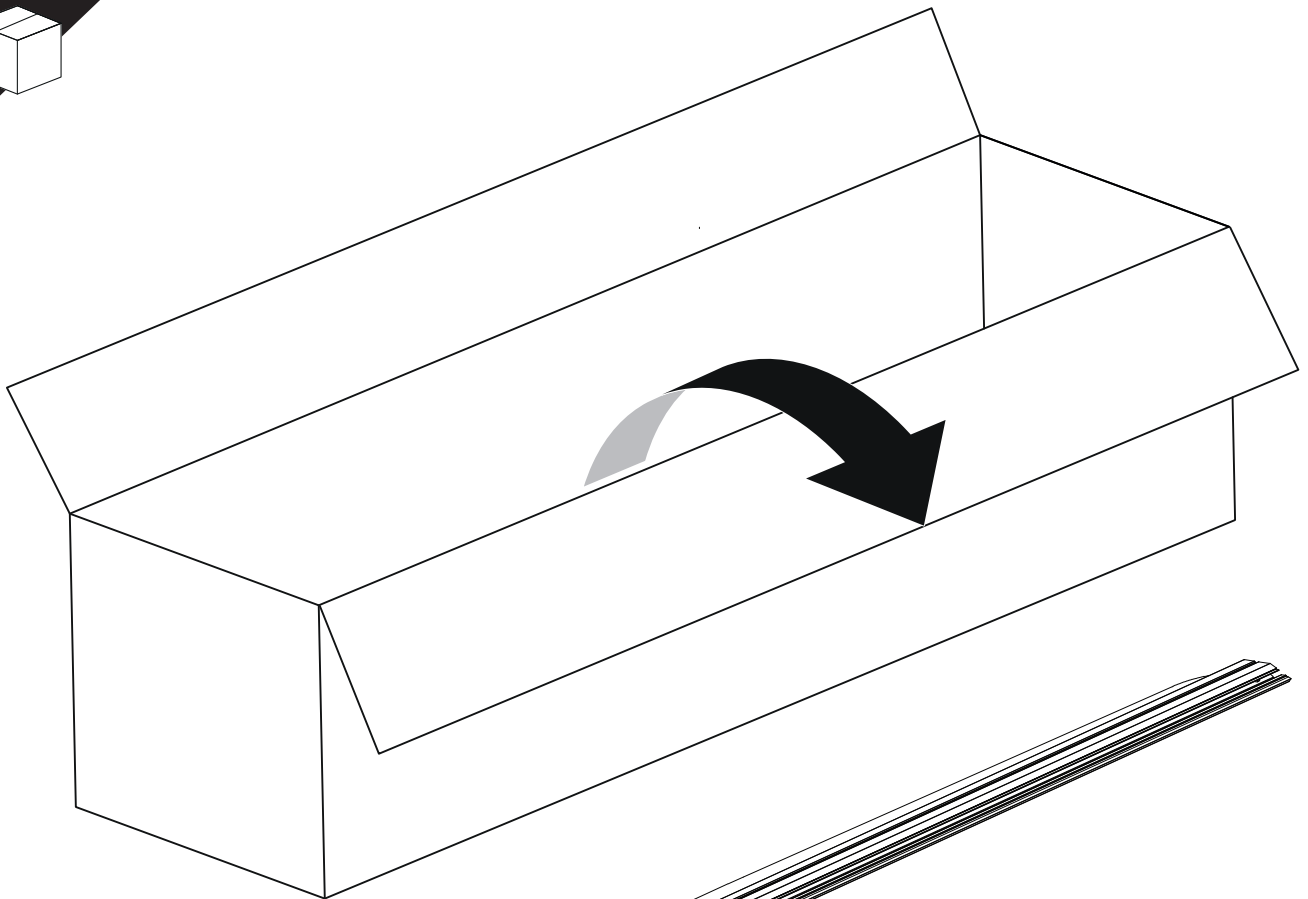
Installation Manual

PART NUMBER(S)	Model Year
TESS 1439 ROLL+E-KIT	FORD MAVERICK 2022+
Cab(s)	Installation Time / Weight
SuperCrew	40-60 minutes / 53-57 kg

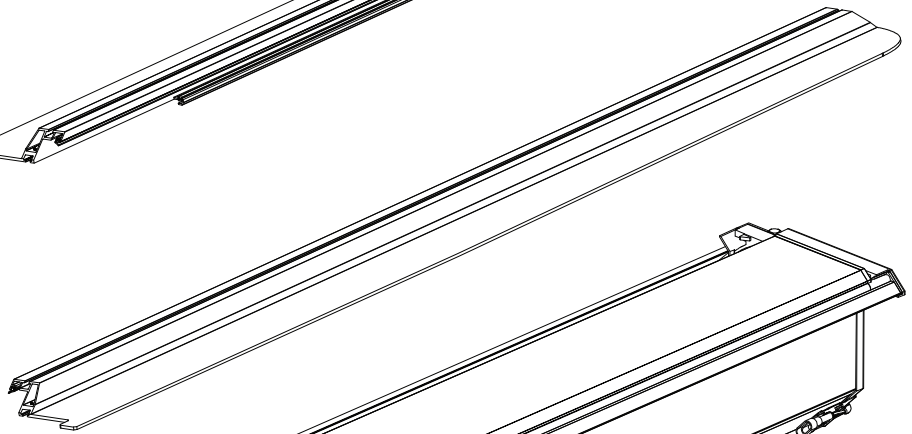




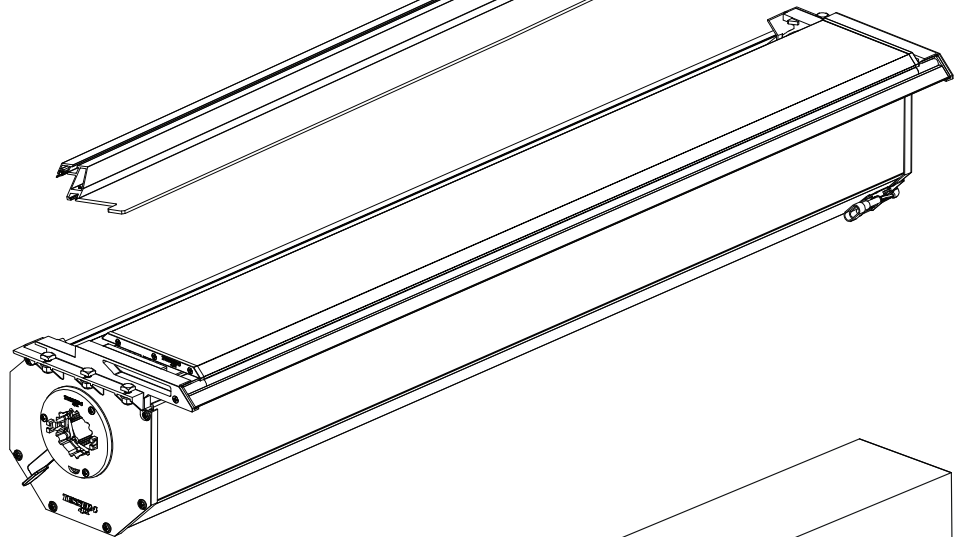




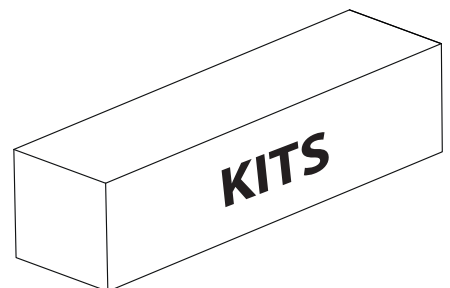
B



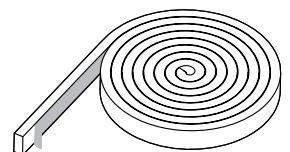
A

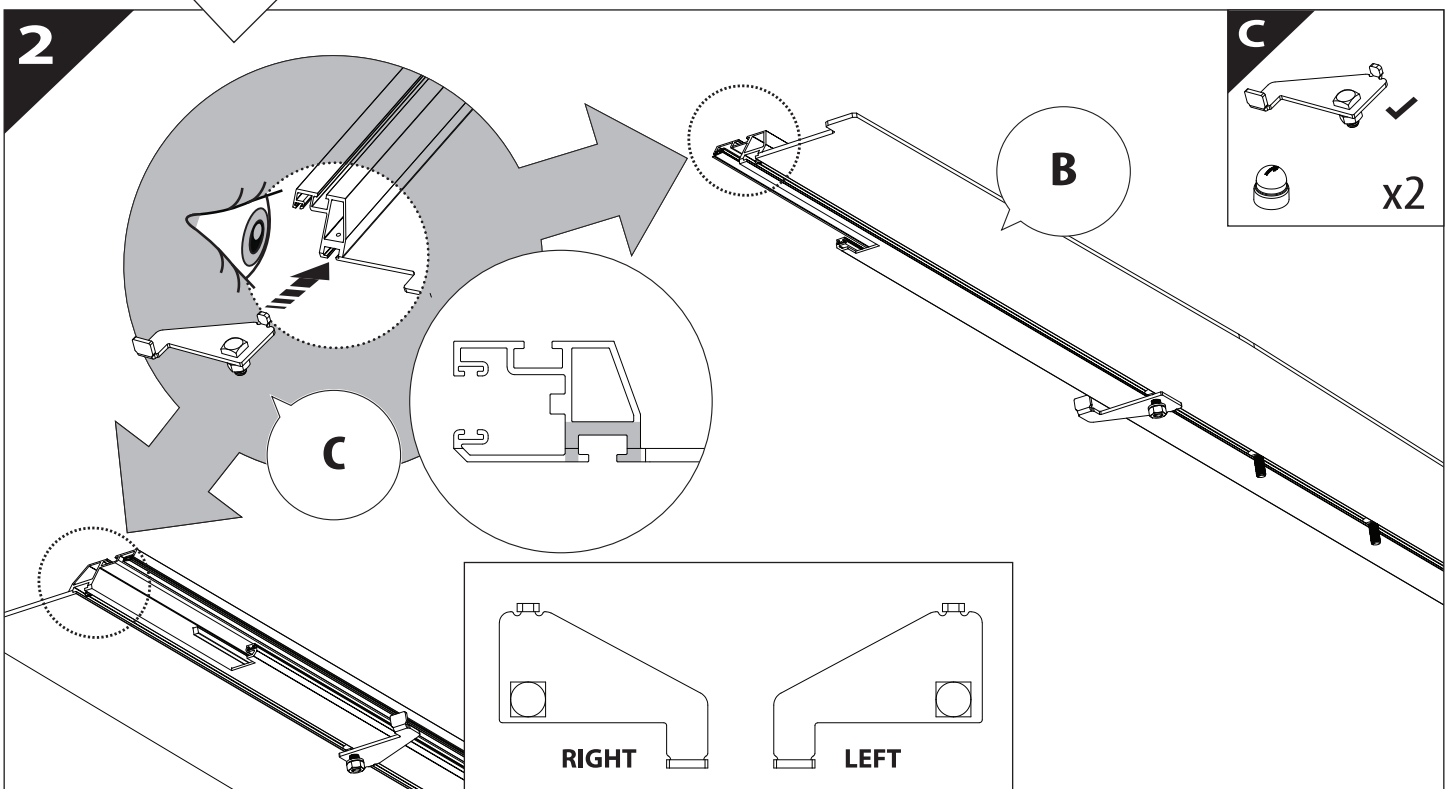
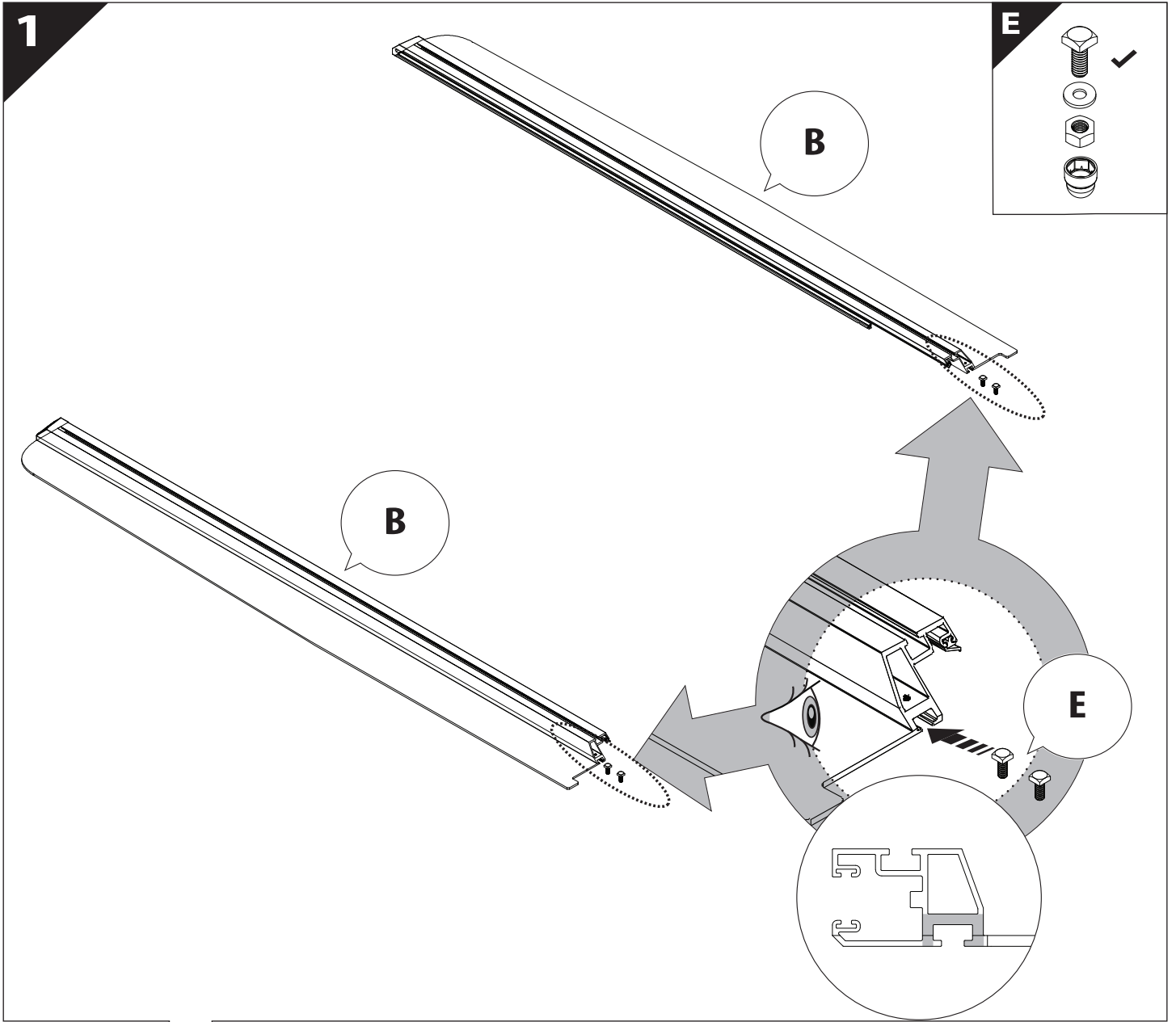


KITS

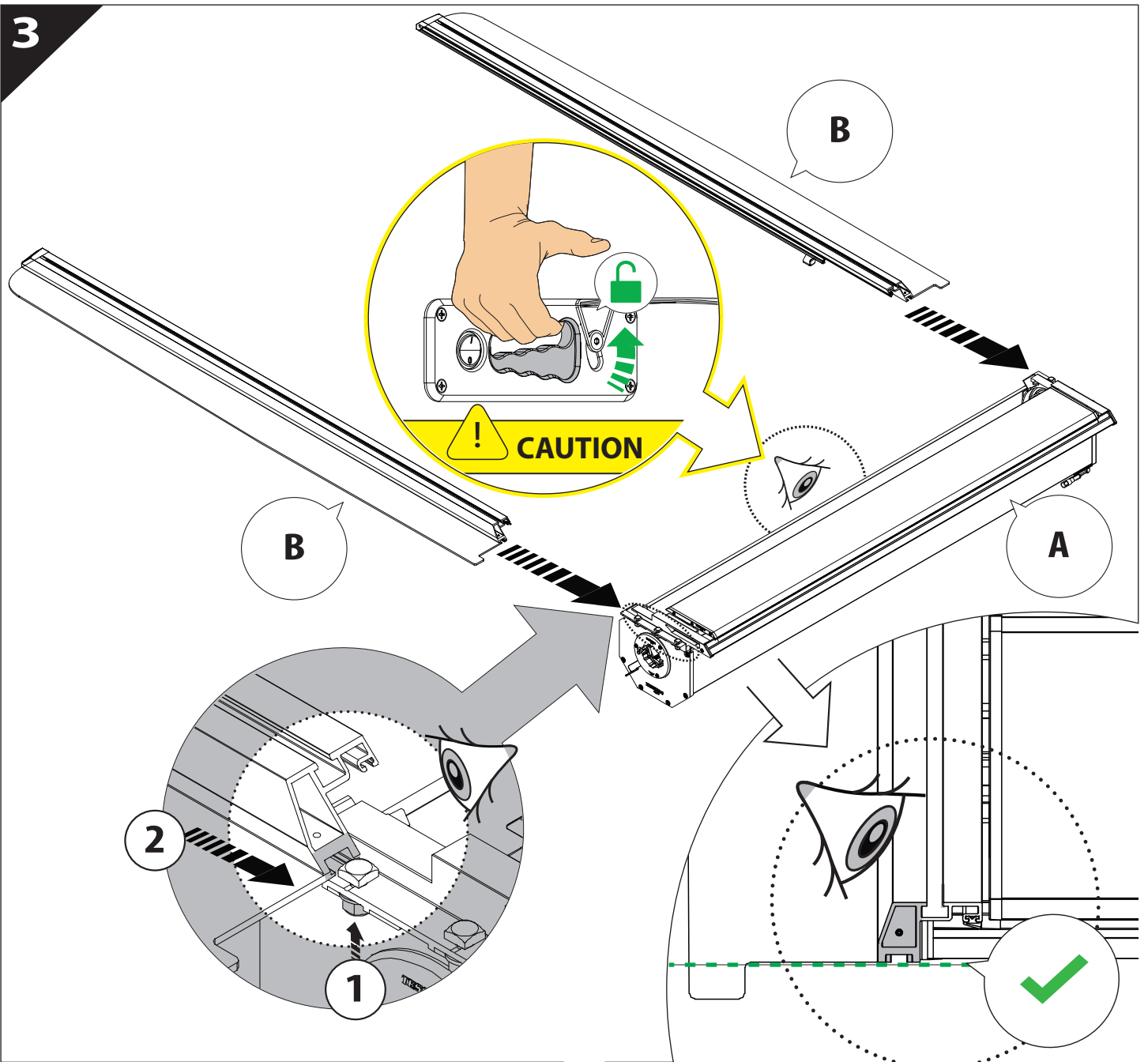


L

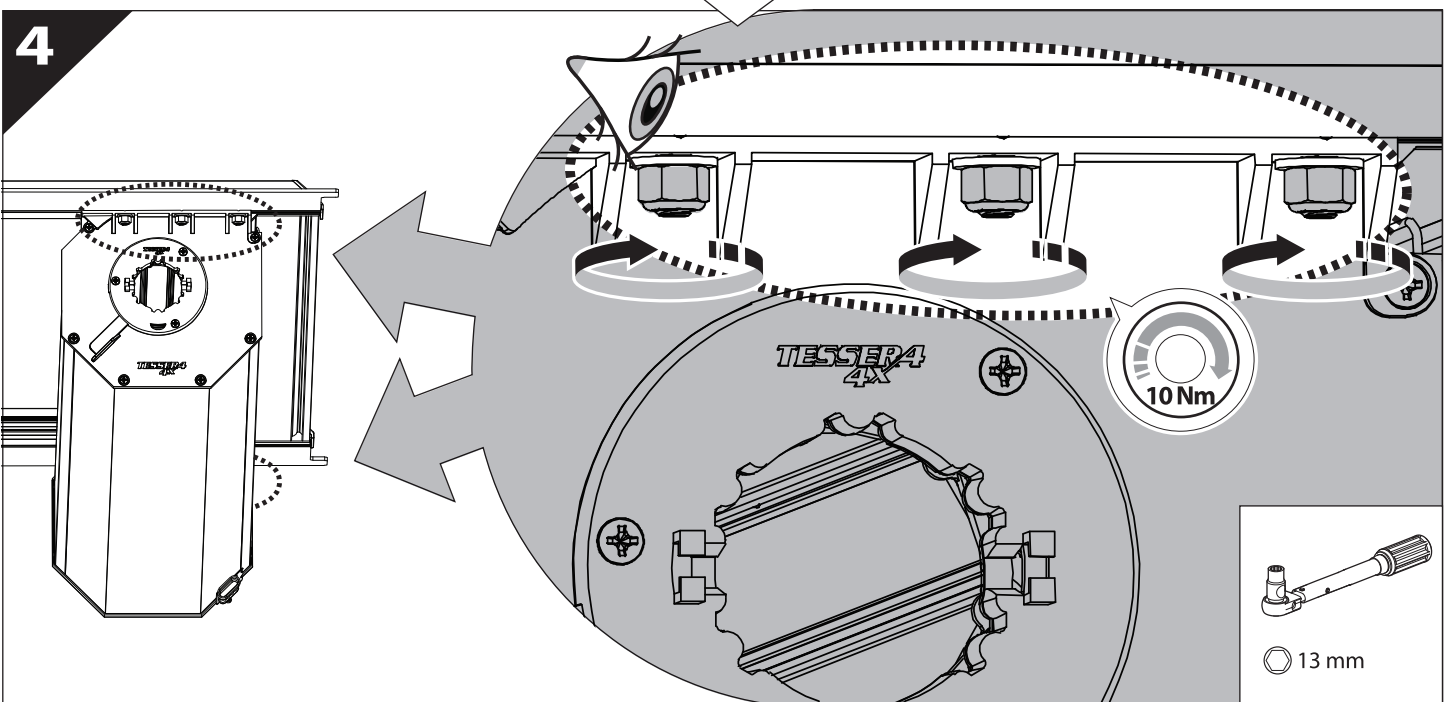


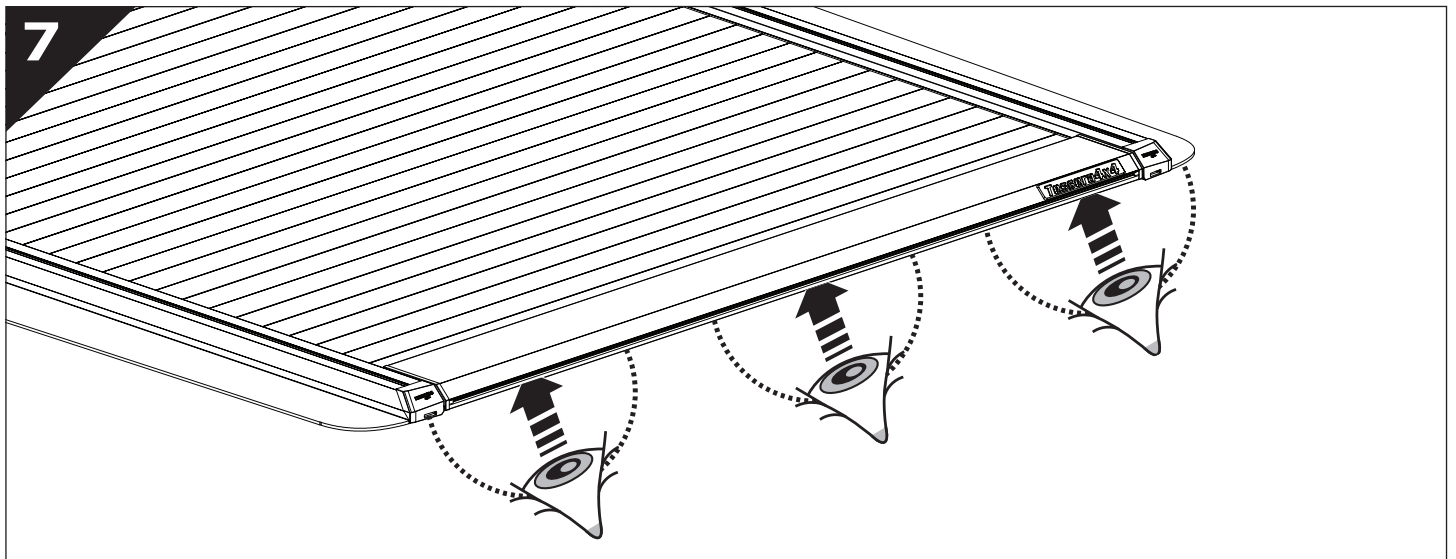
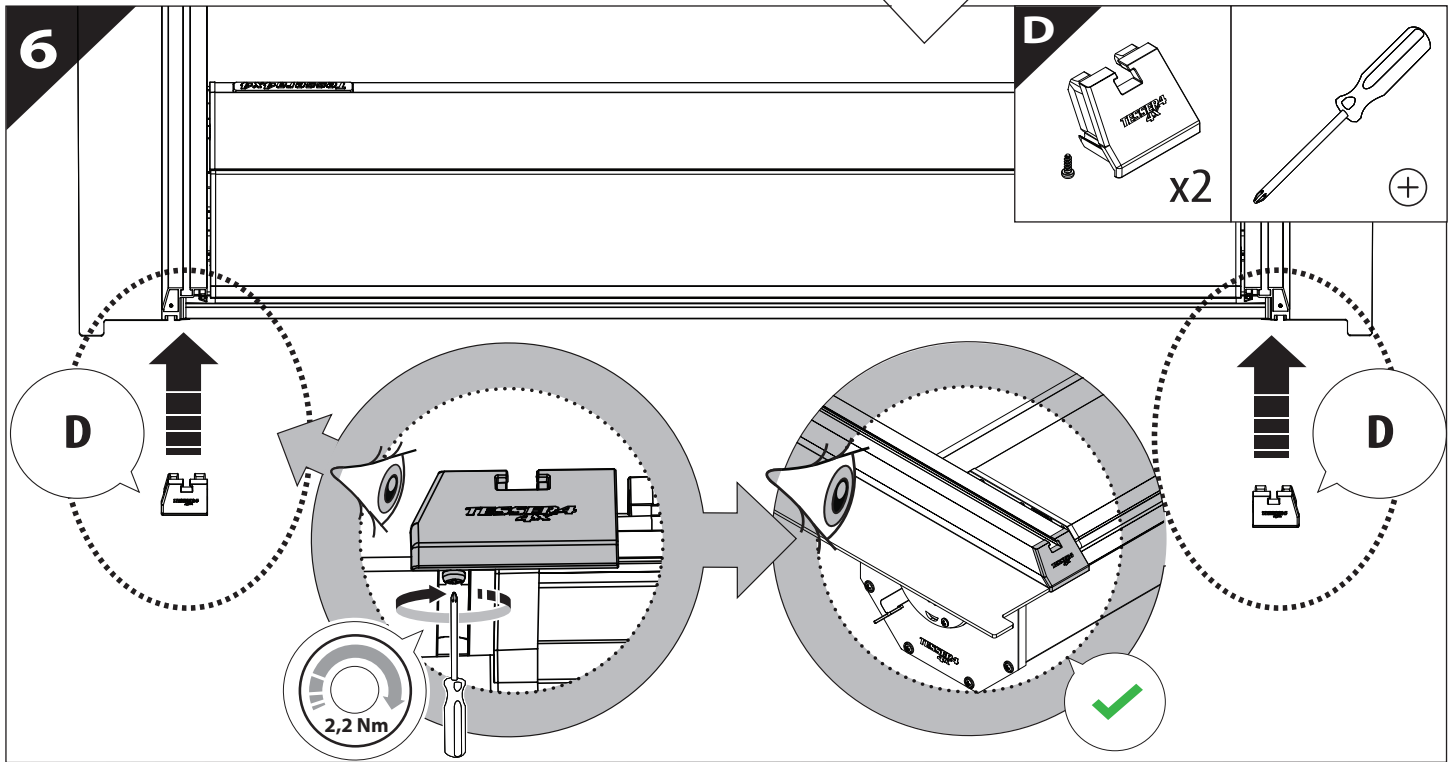
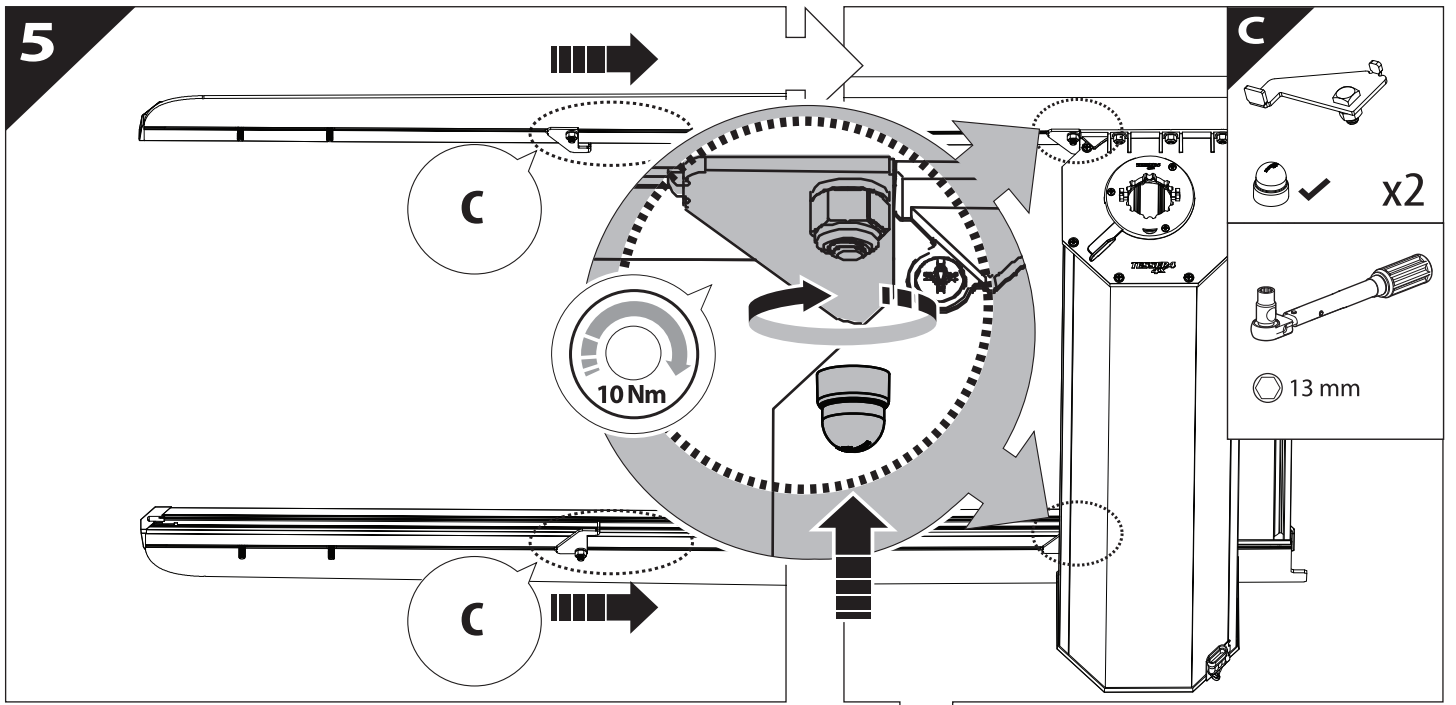


3

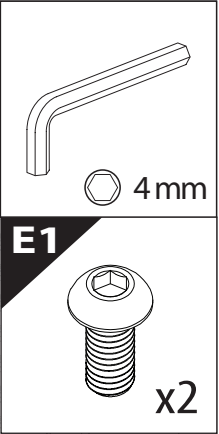
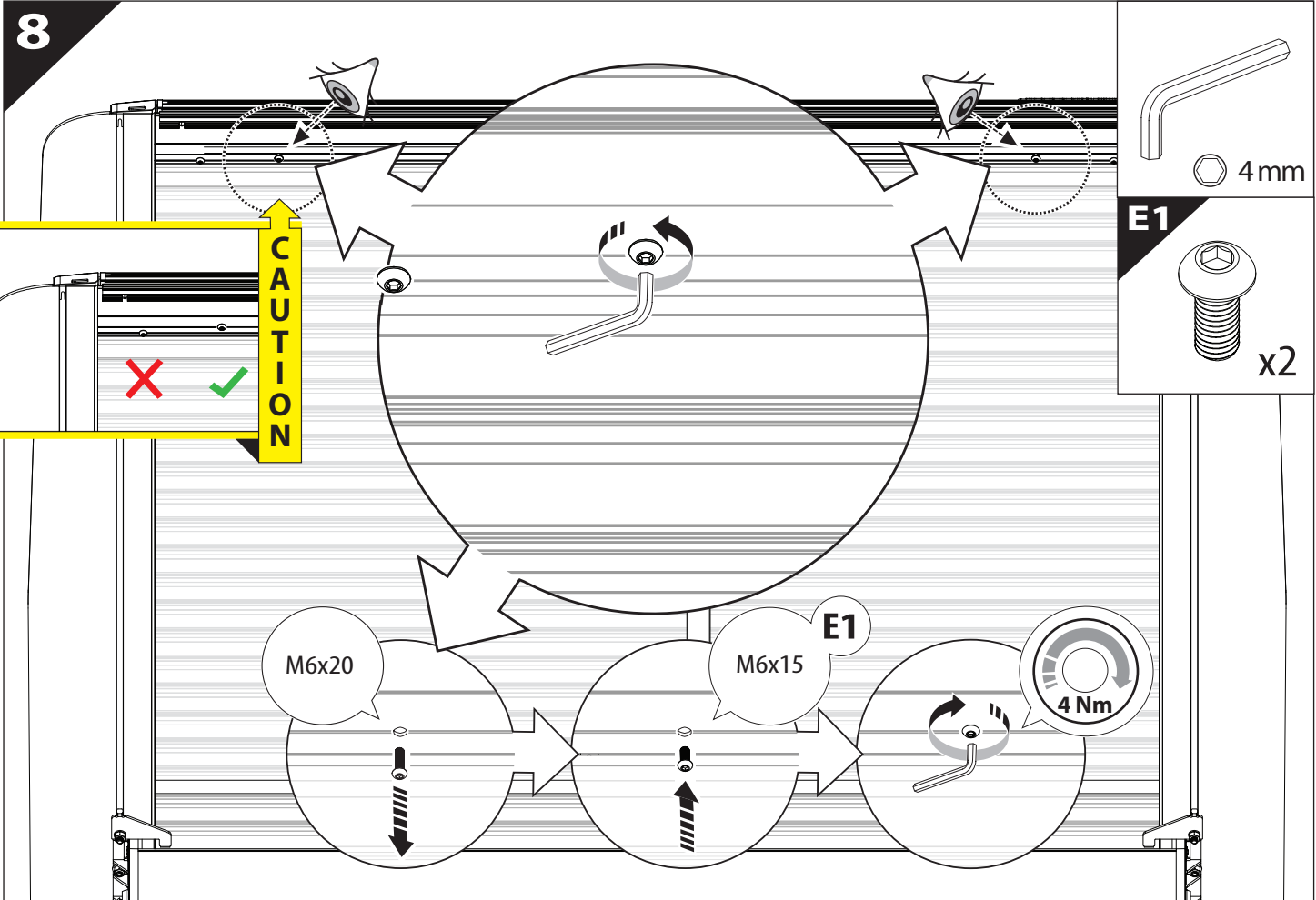
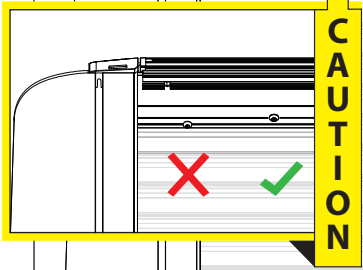


4

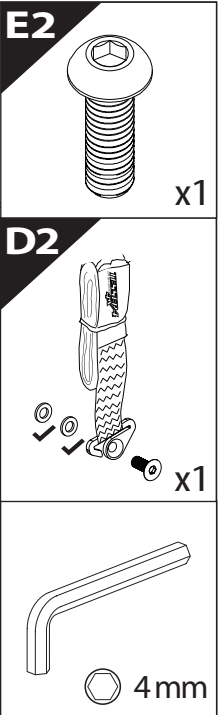
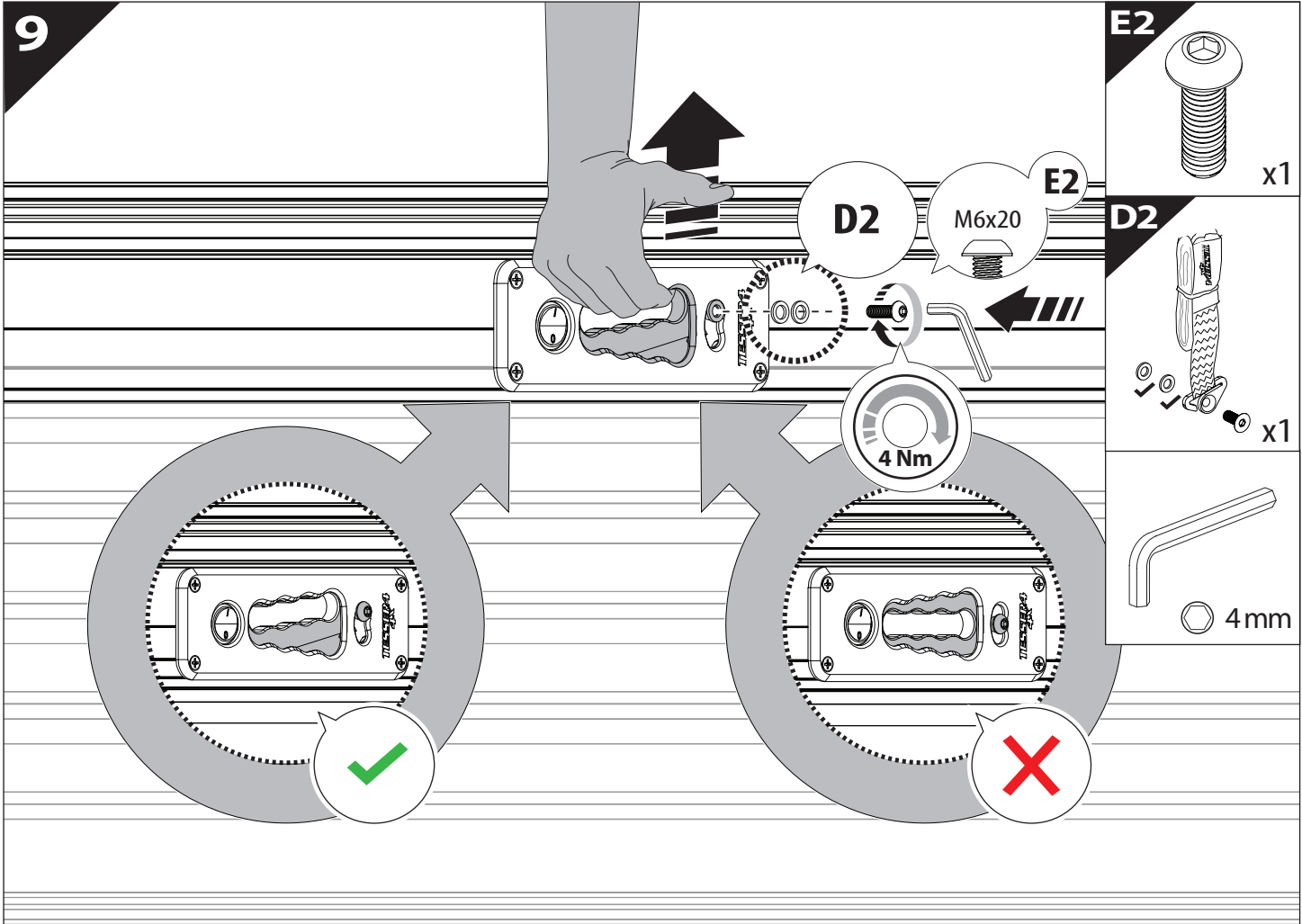


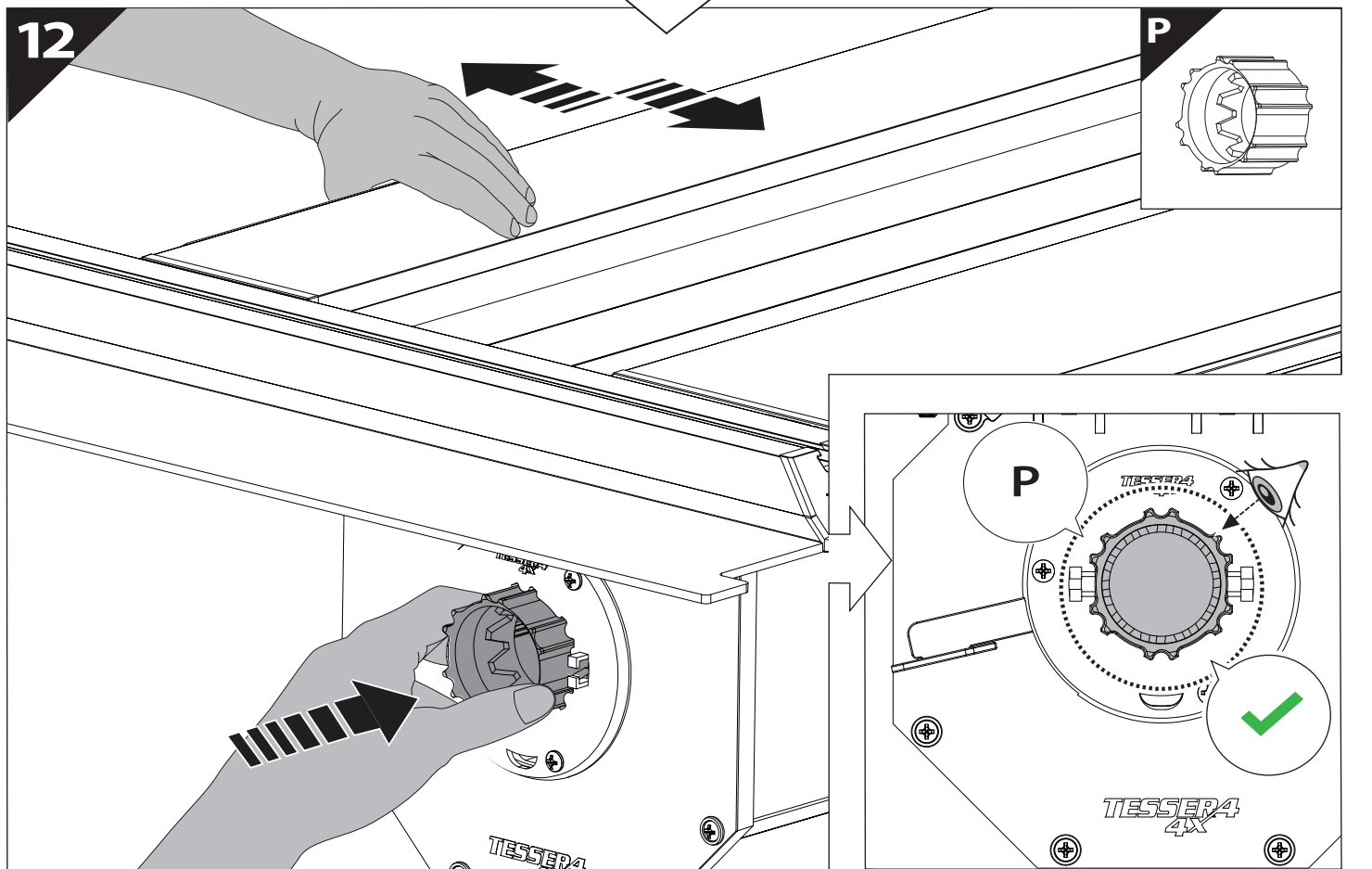
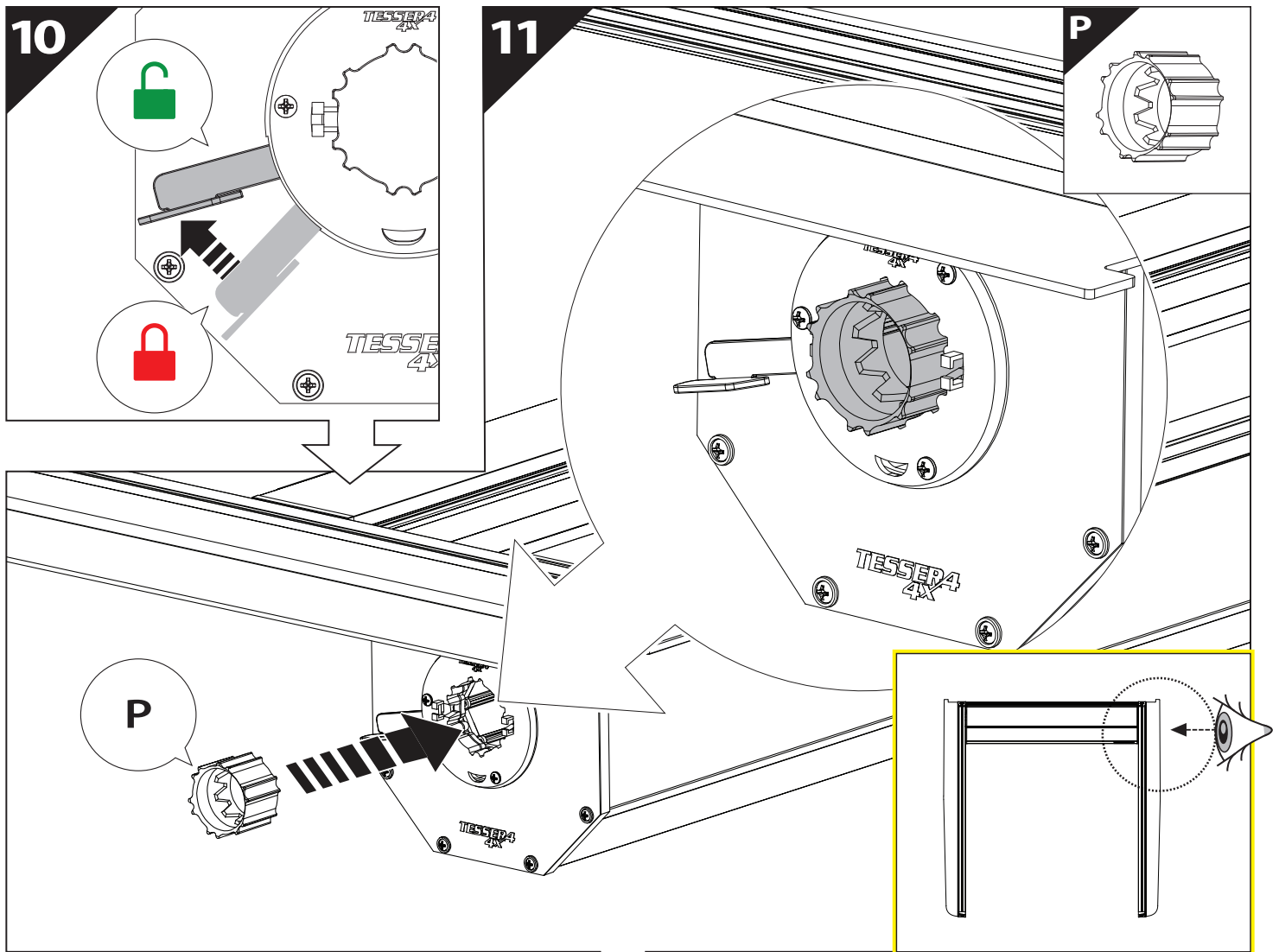


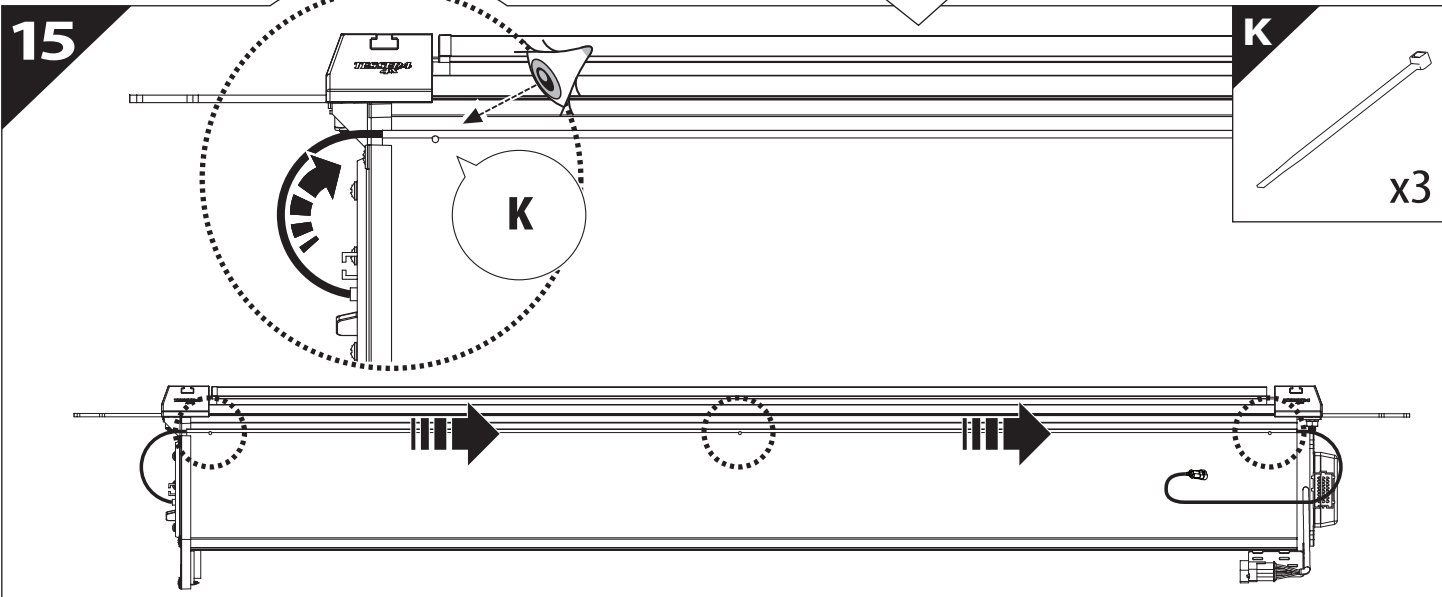
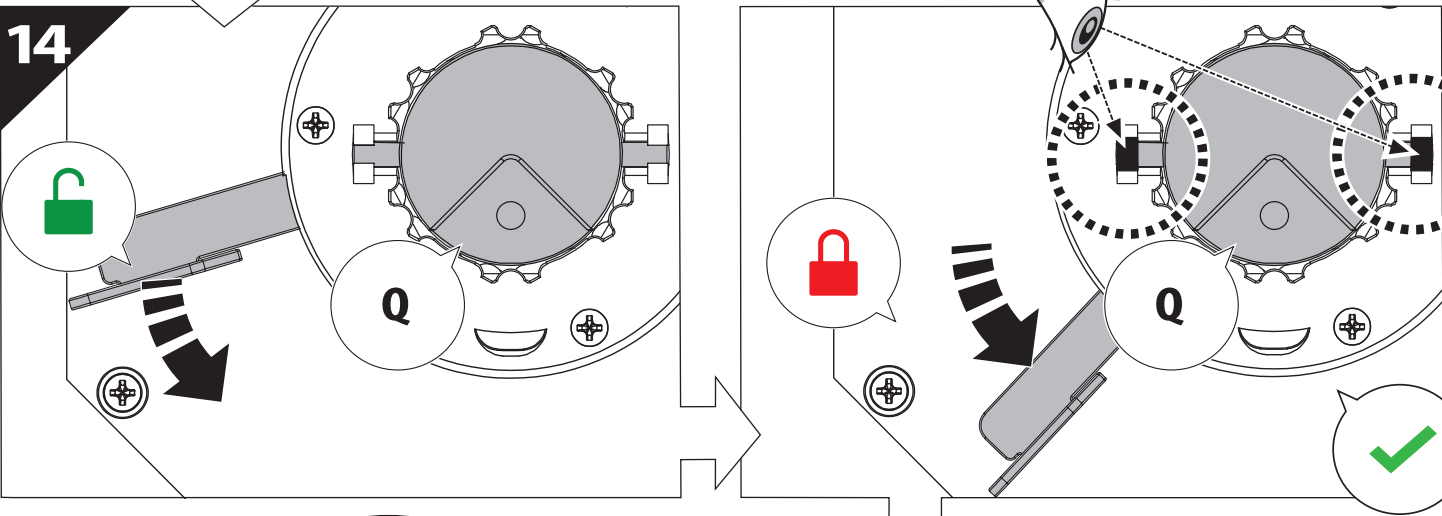
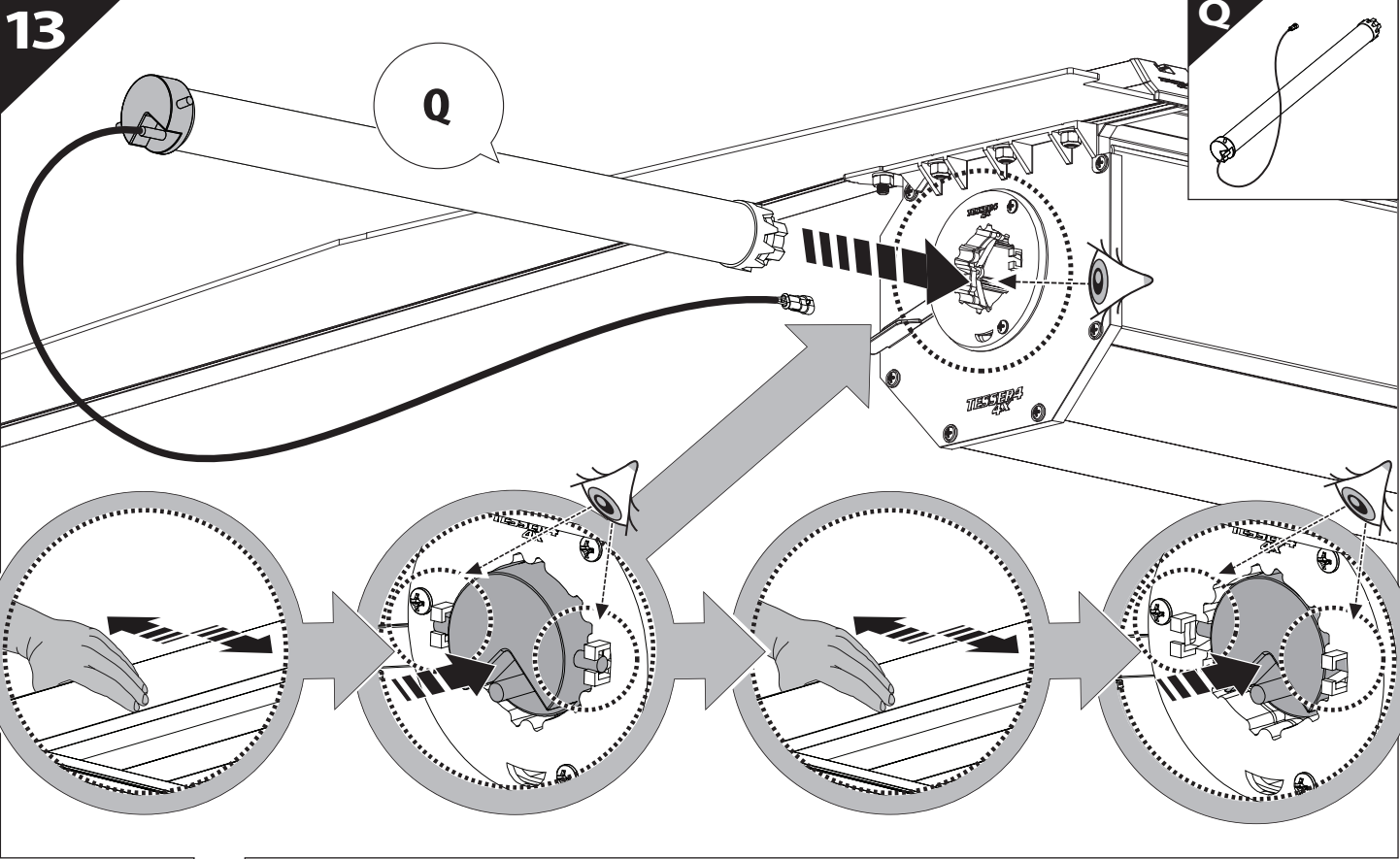
8



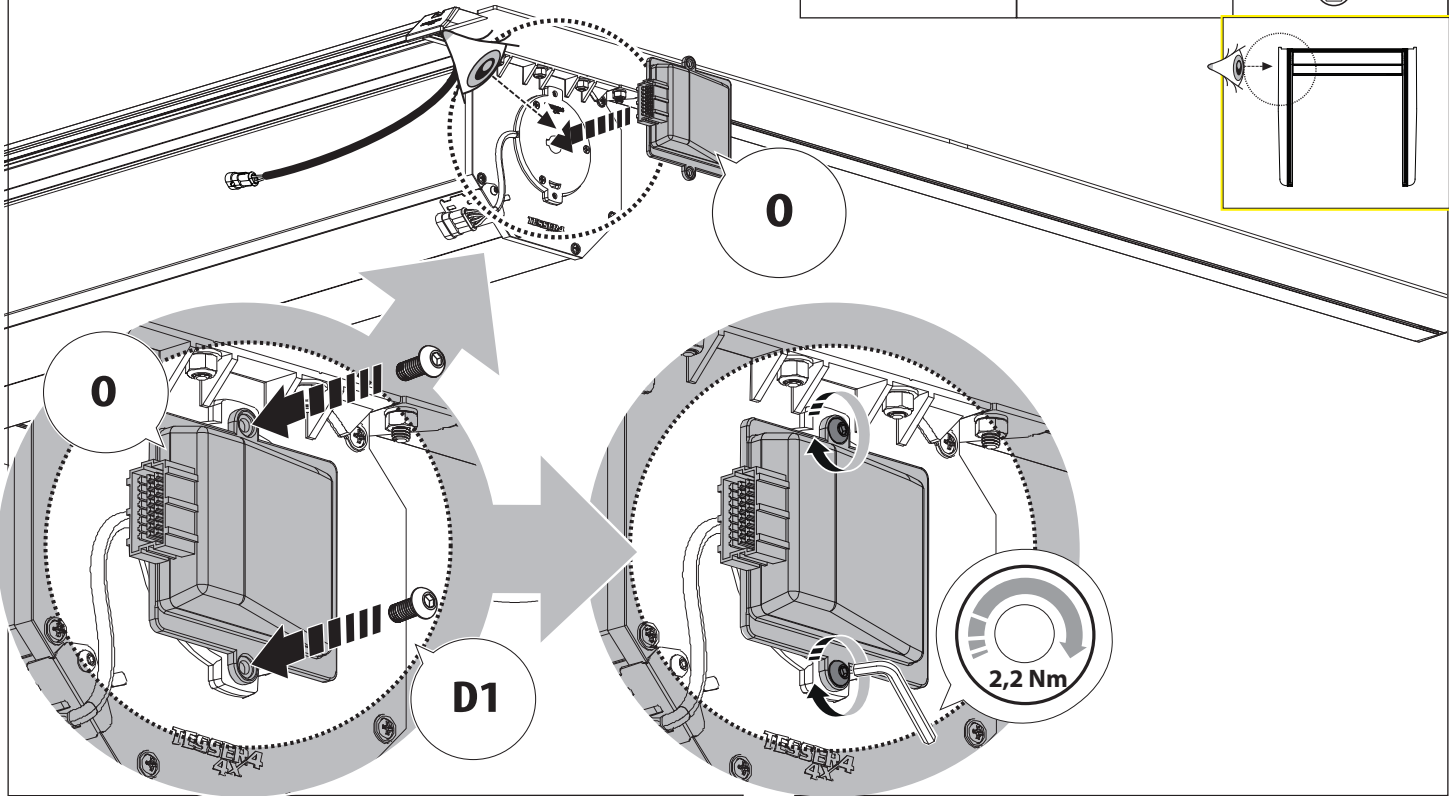
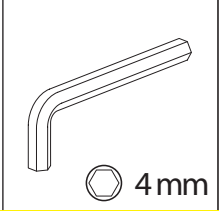
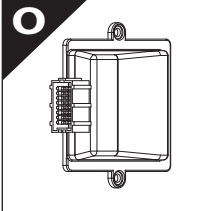
9



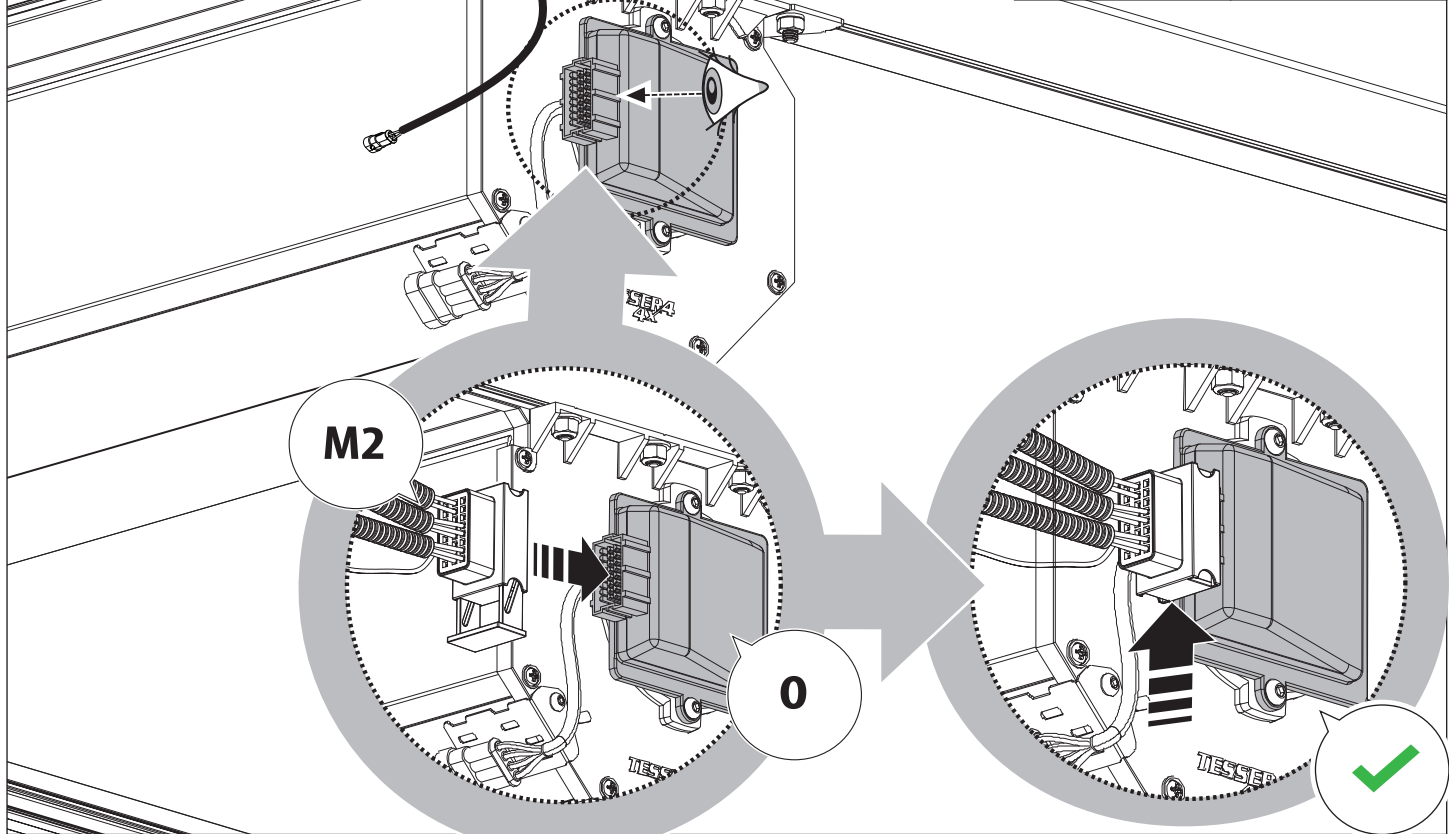
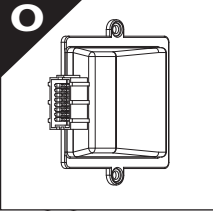




16



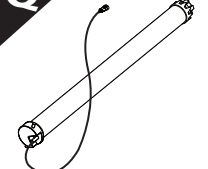
17



18

M2

Q



Q

M2

1

2

3

19

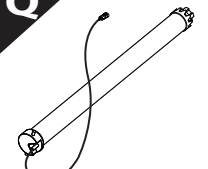
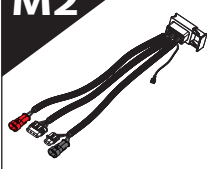
Q

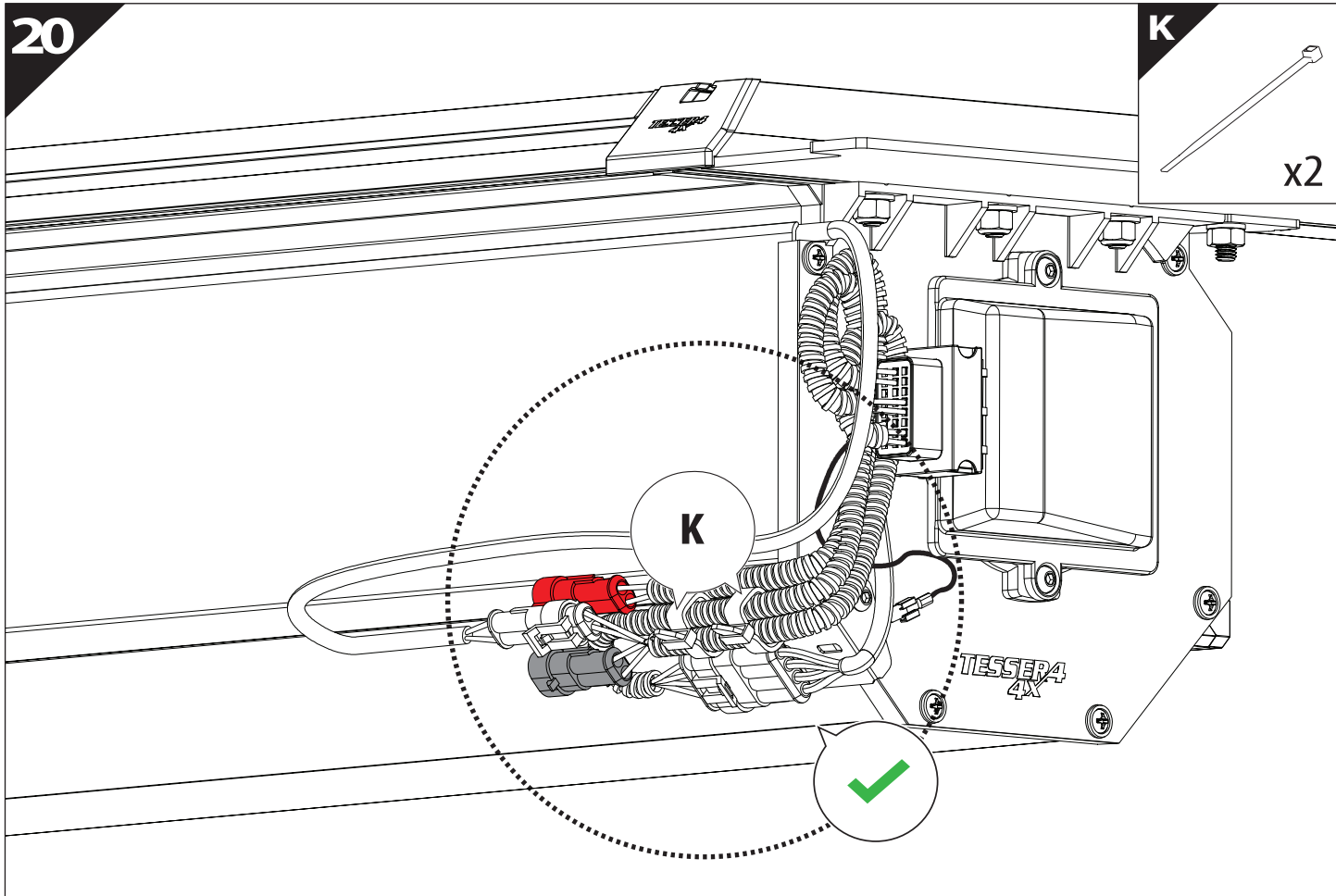
M2



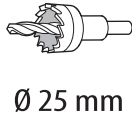
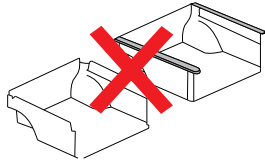
M2

Q

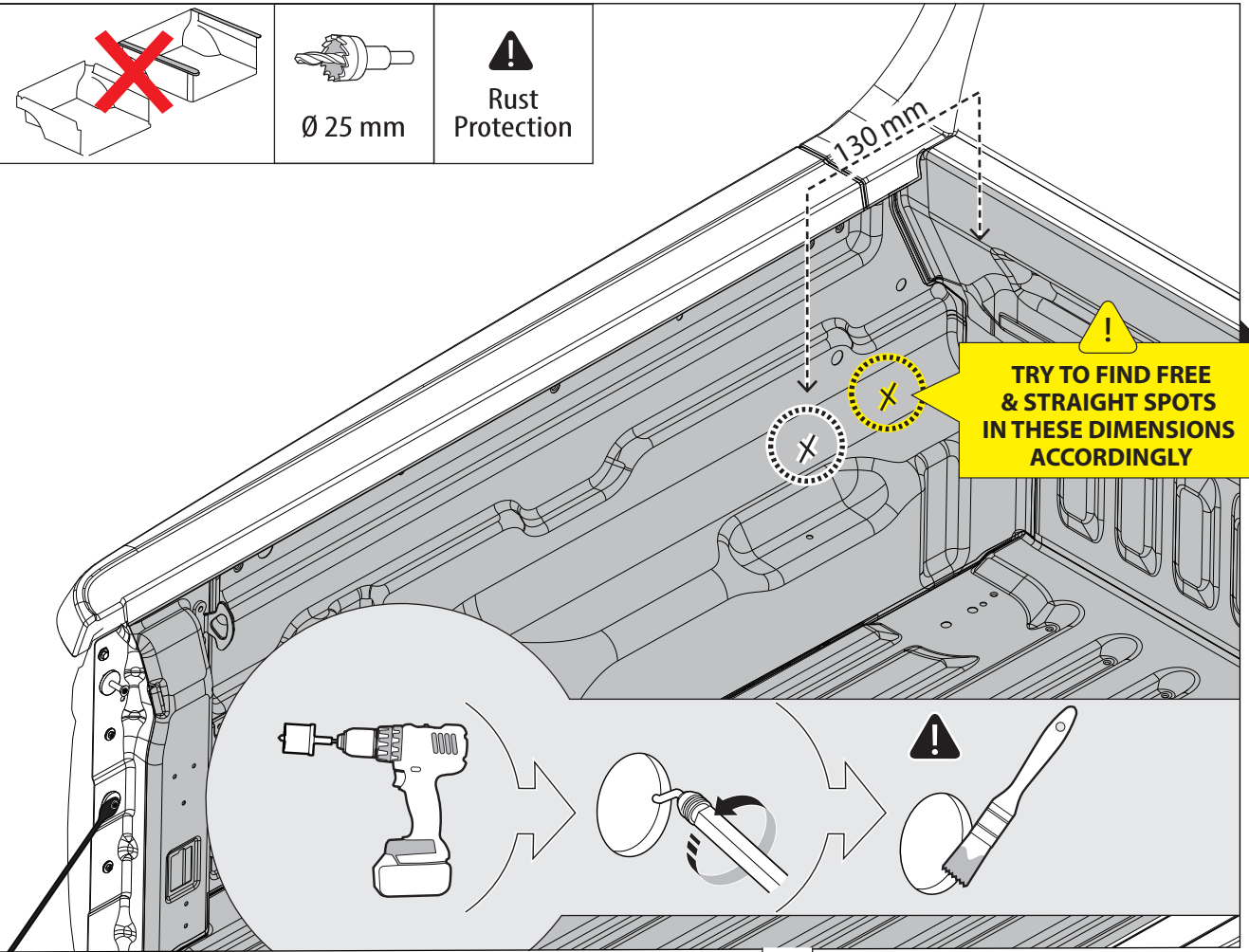




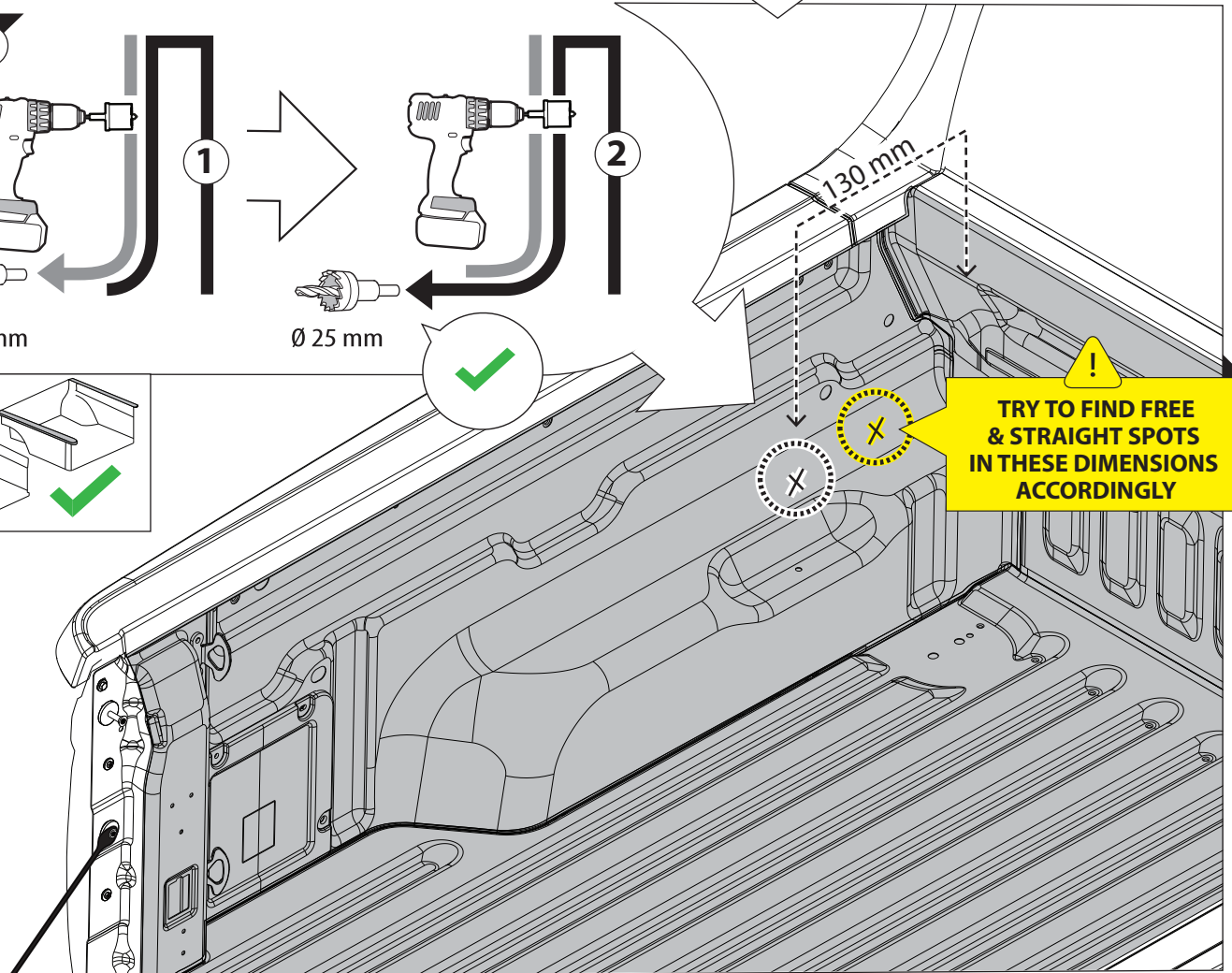
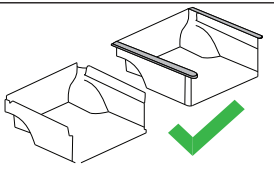
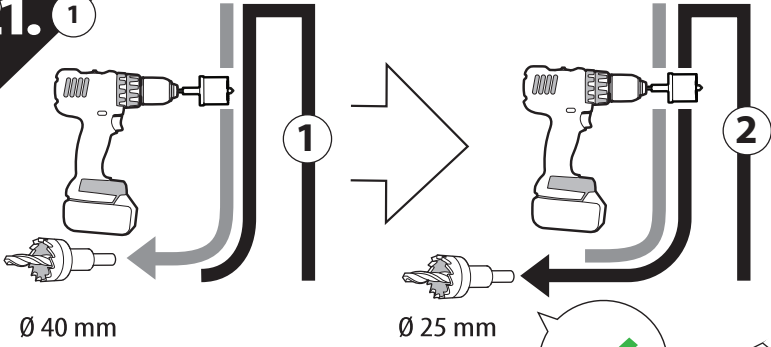
21

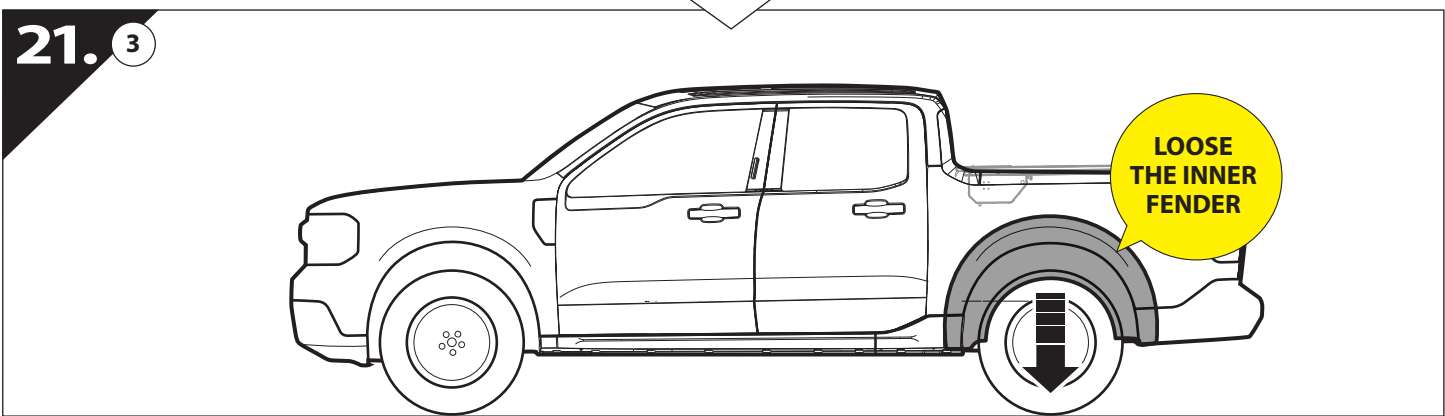
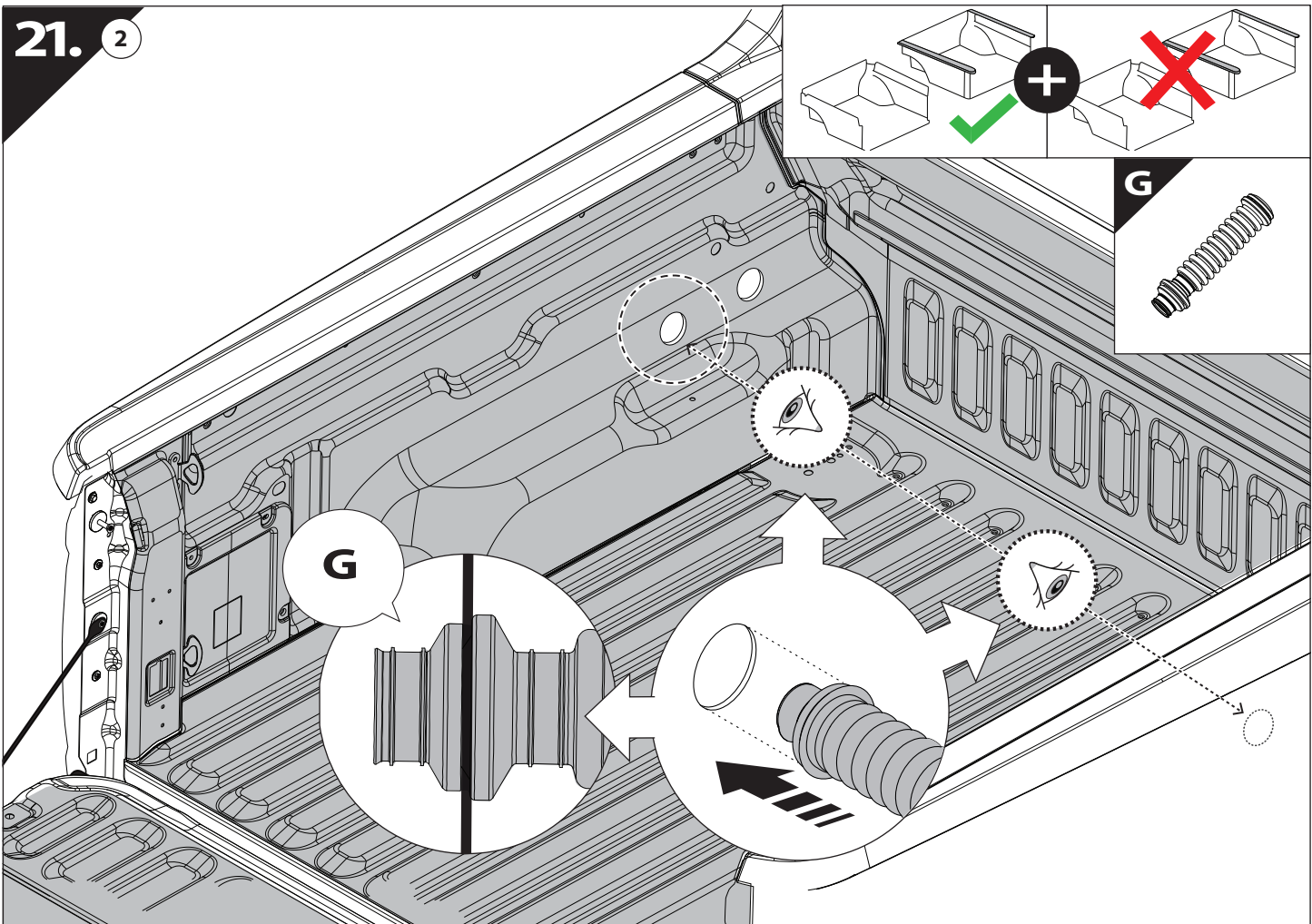


 Rust Protection

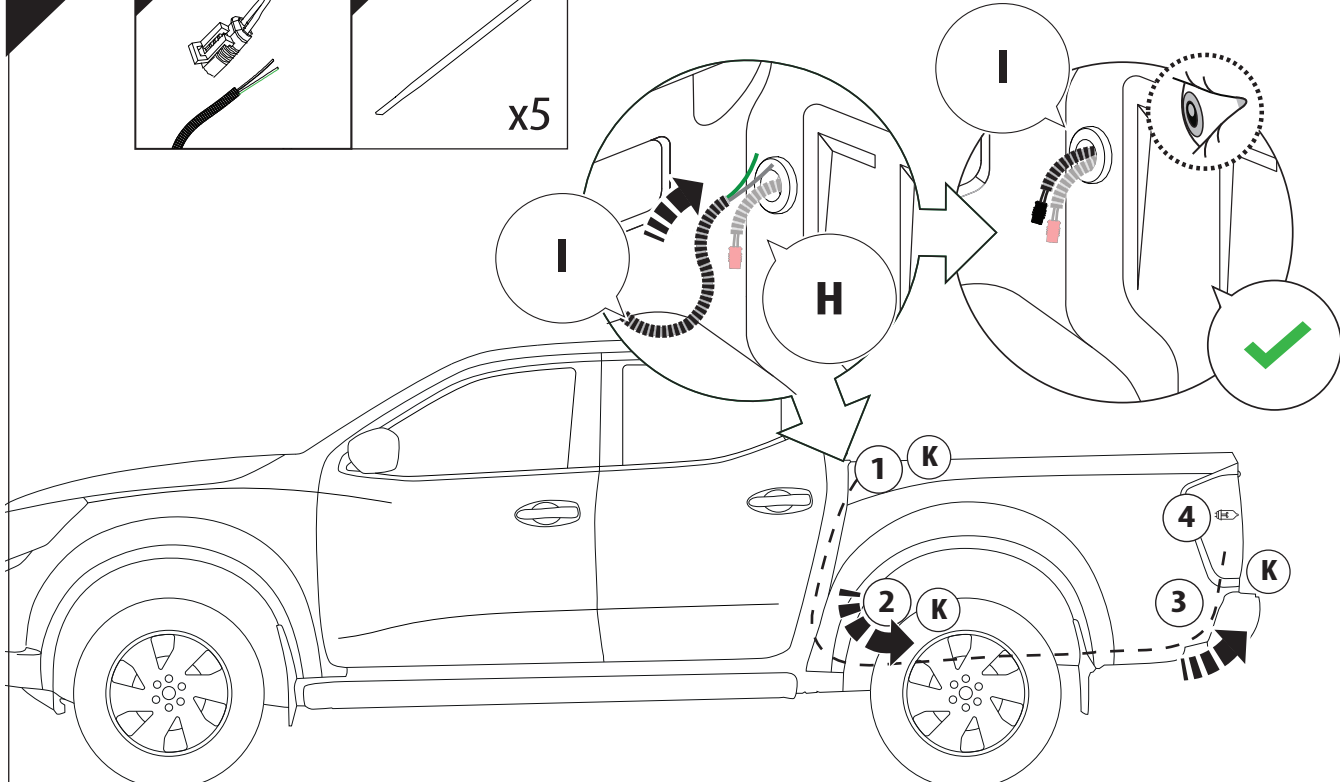
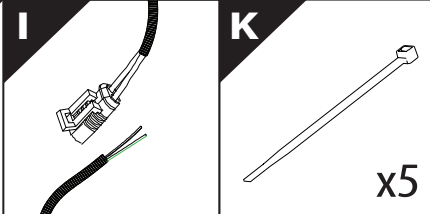
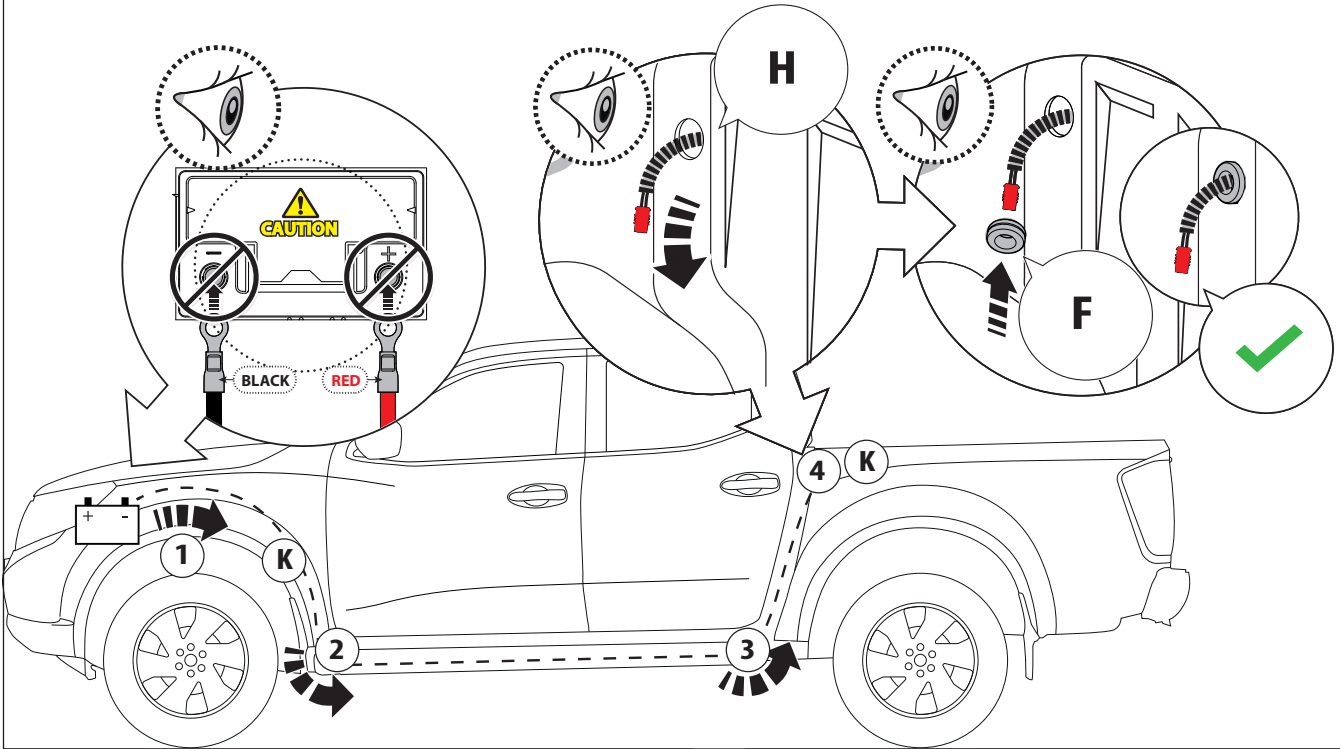
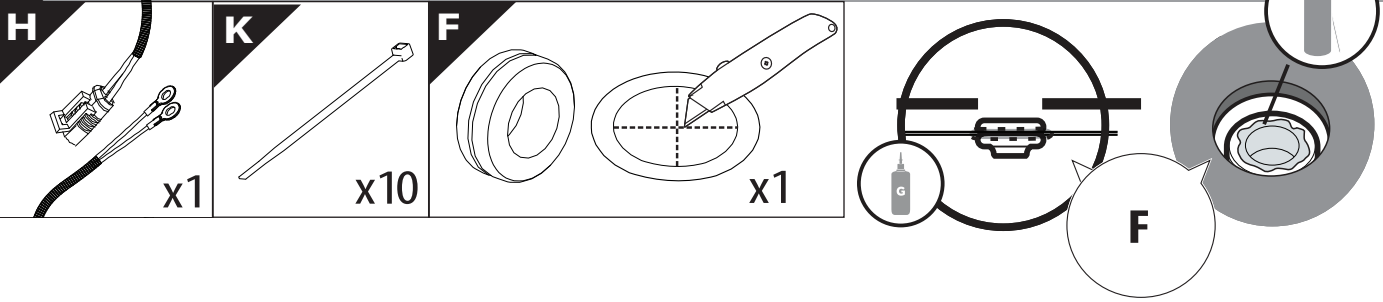


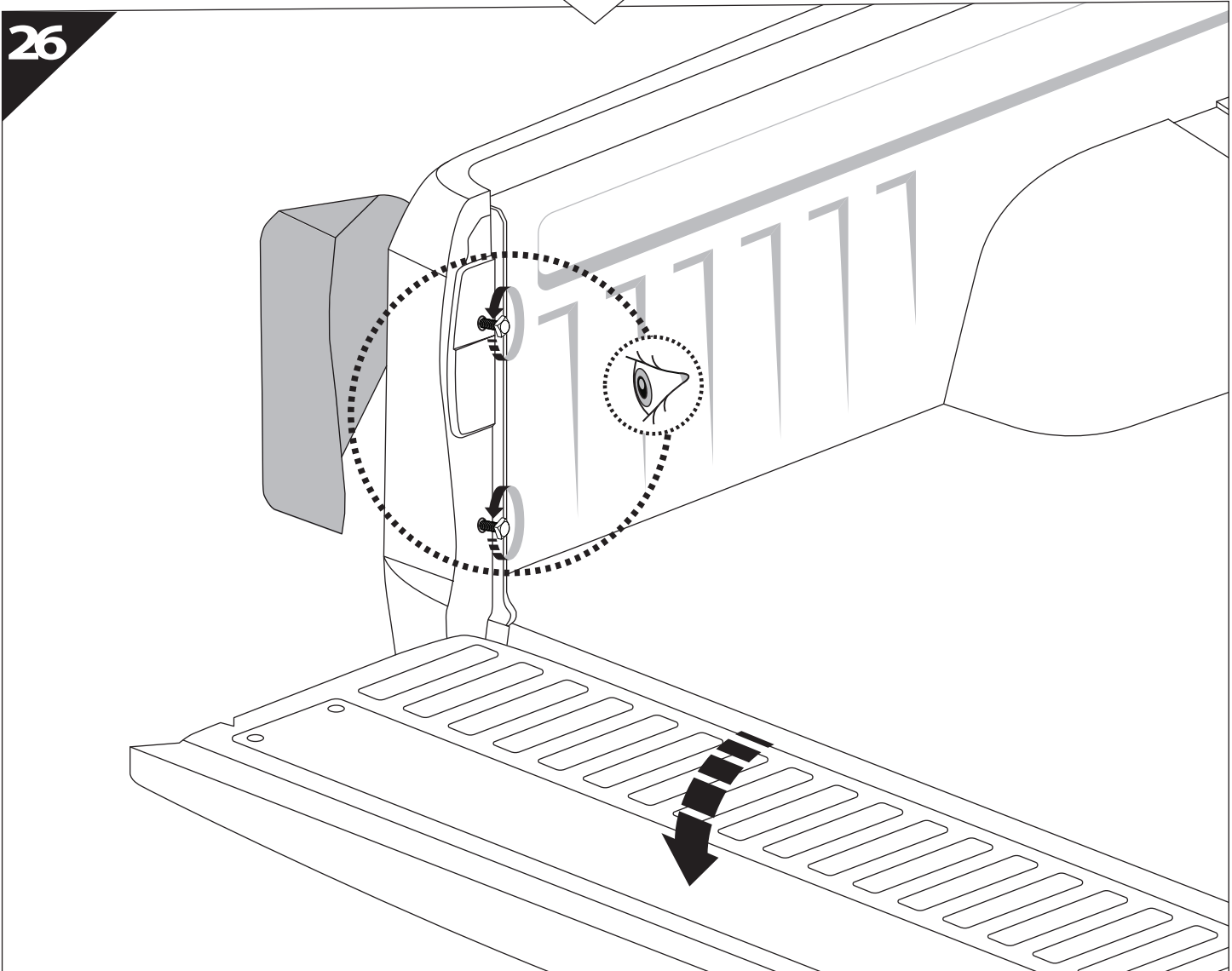
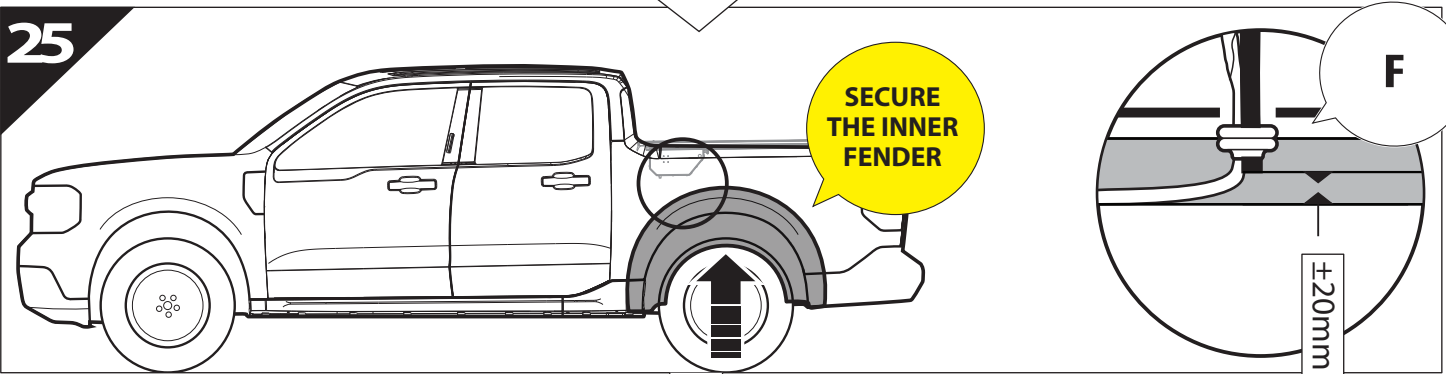
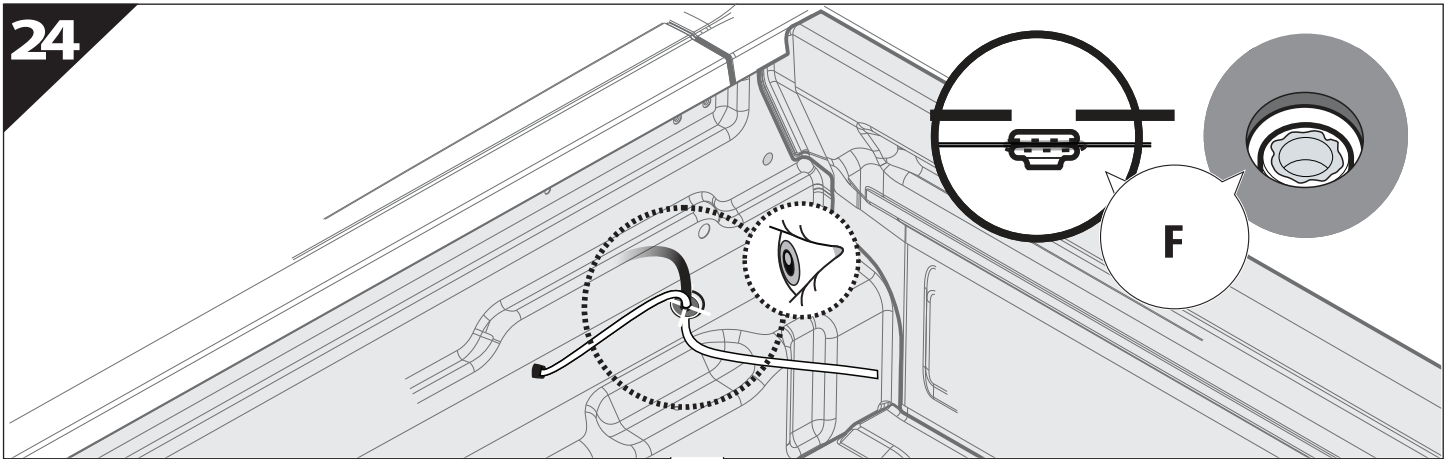
21.1

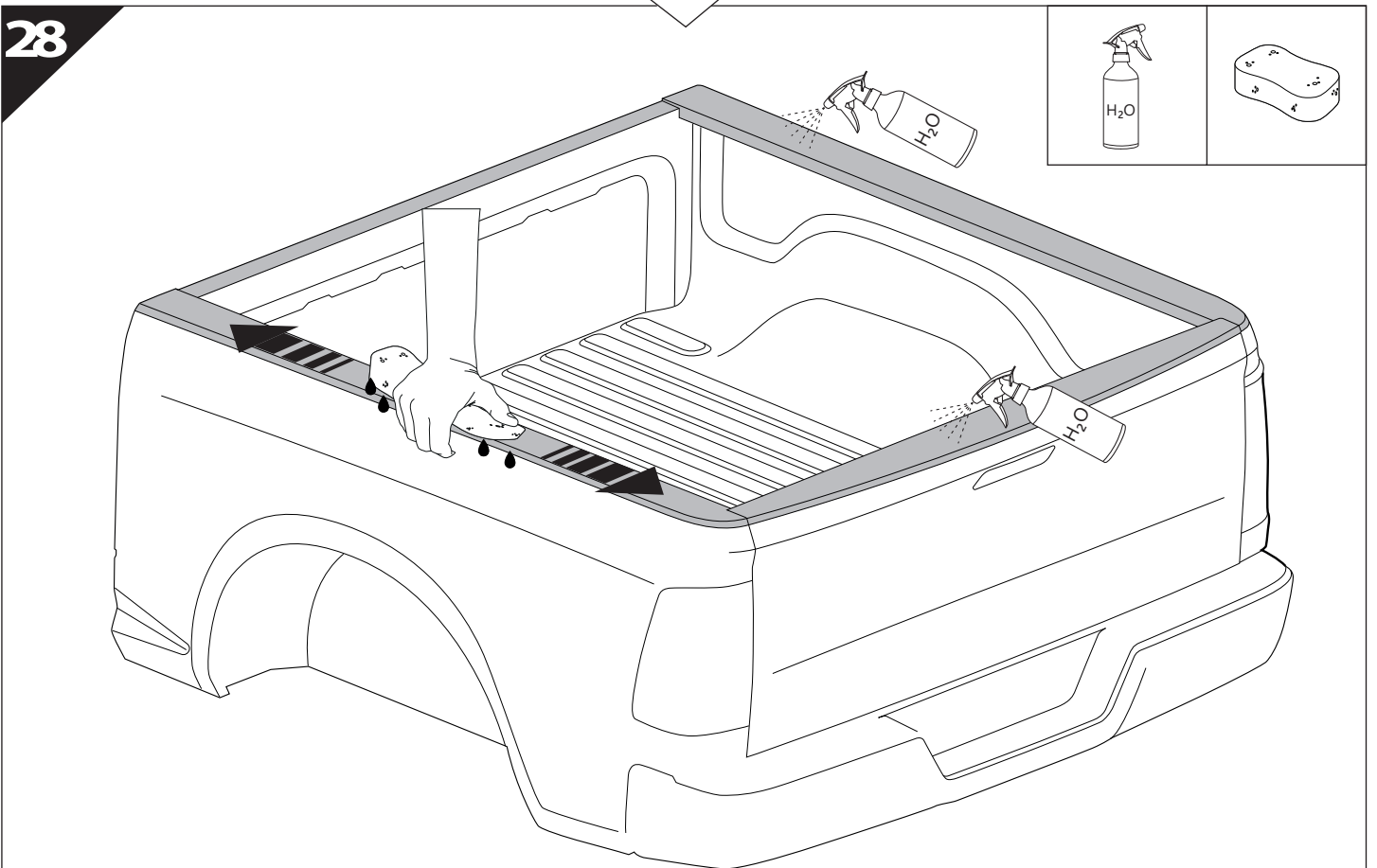
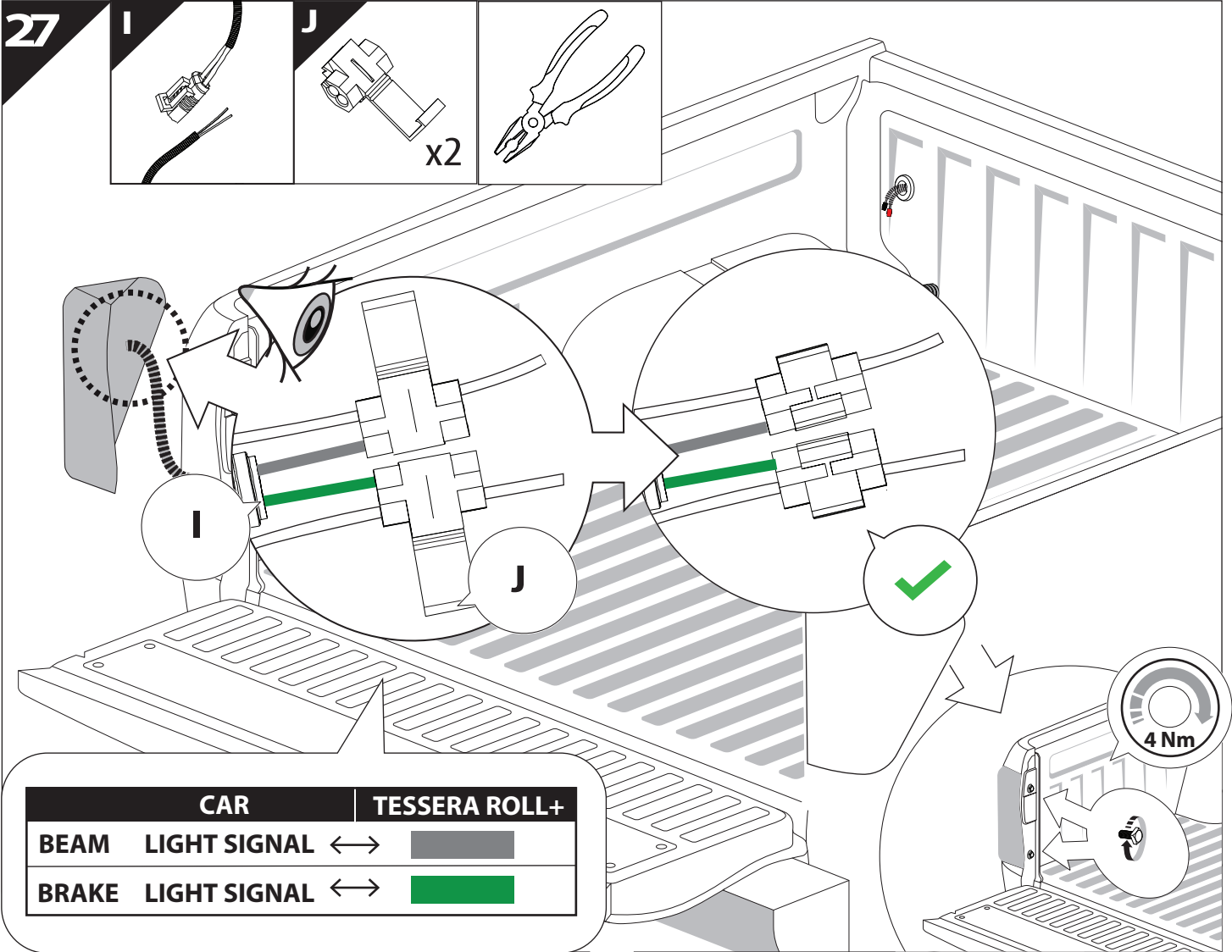


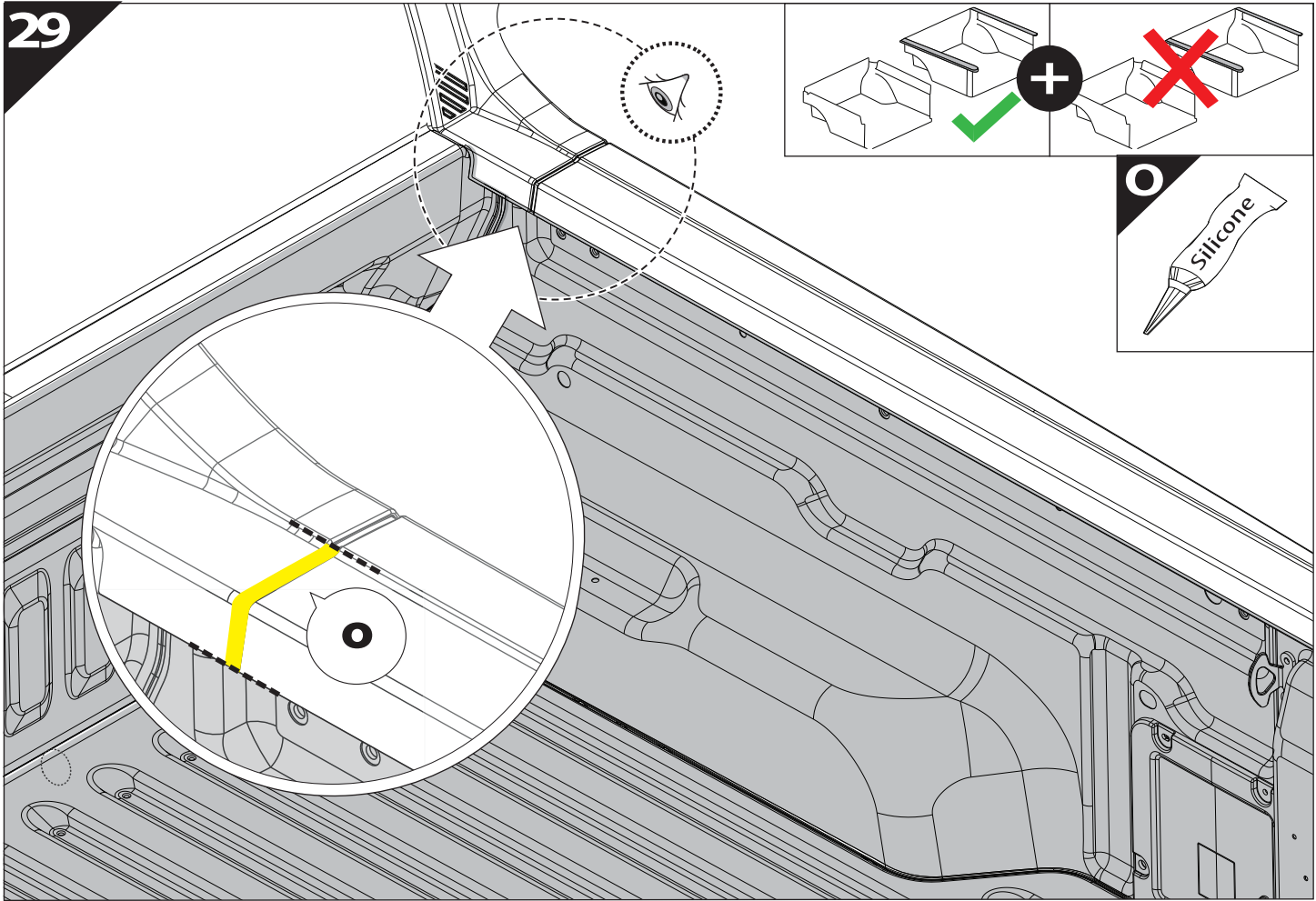


Only to be installed by authorized personnel

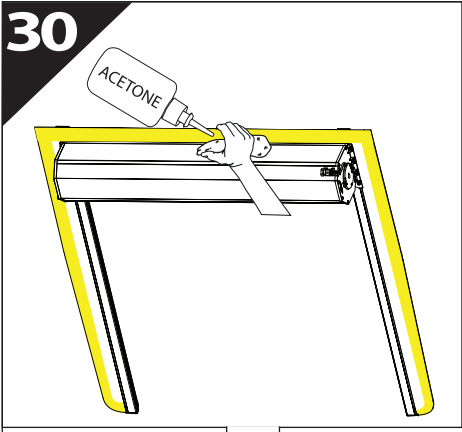




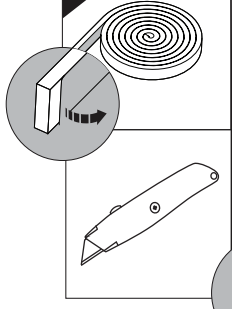




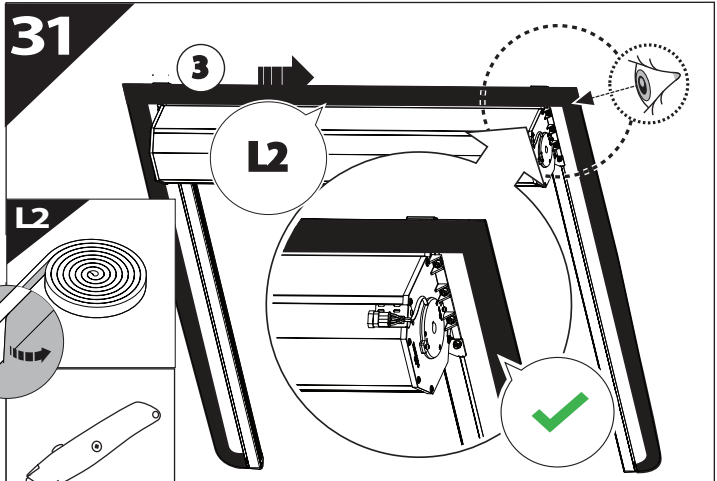
30



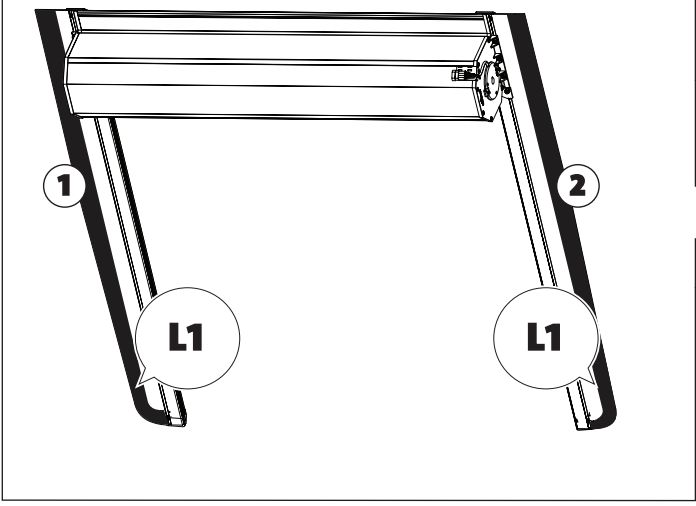
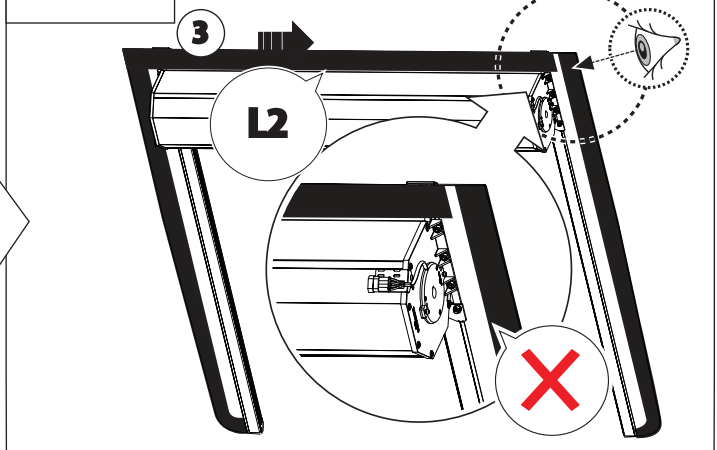
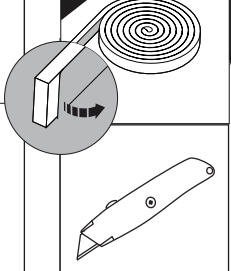
L1



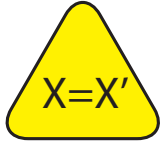
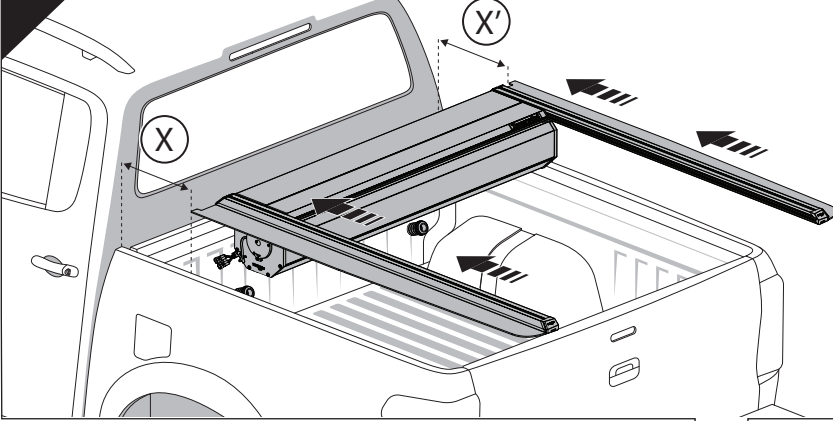
31



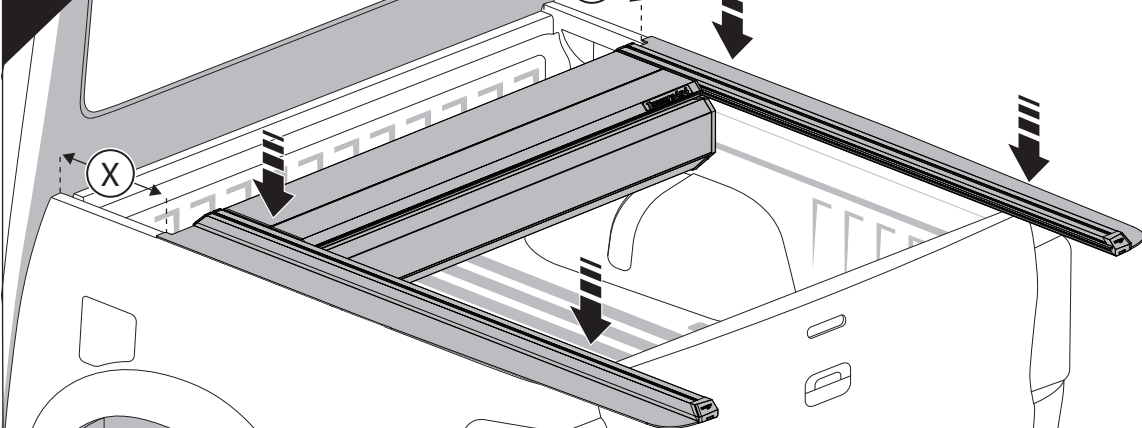
L2



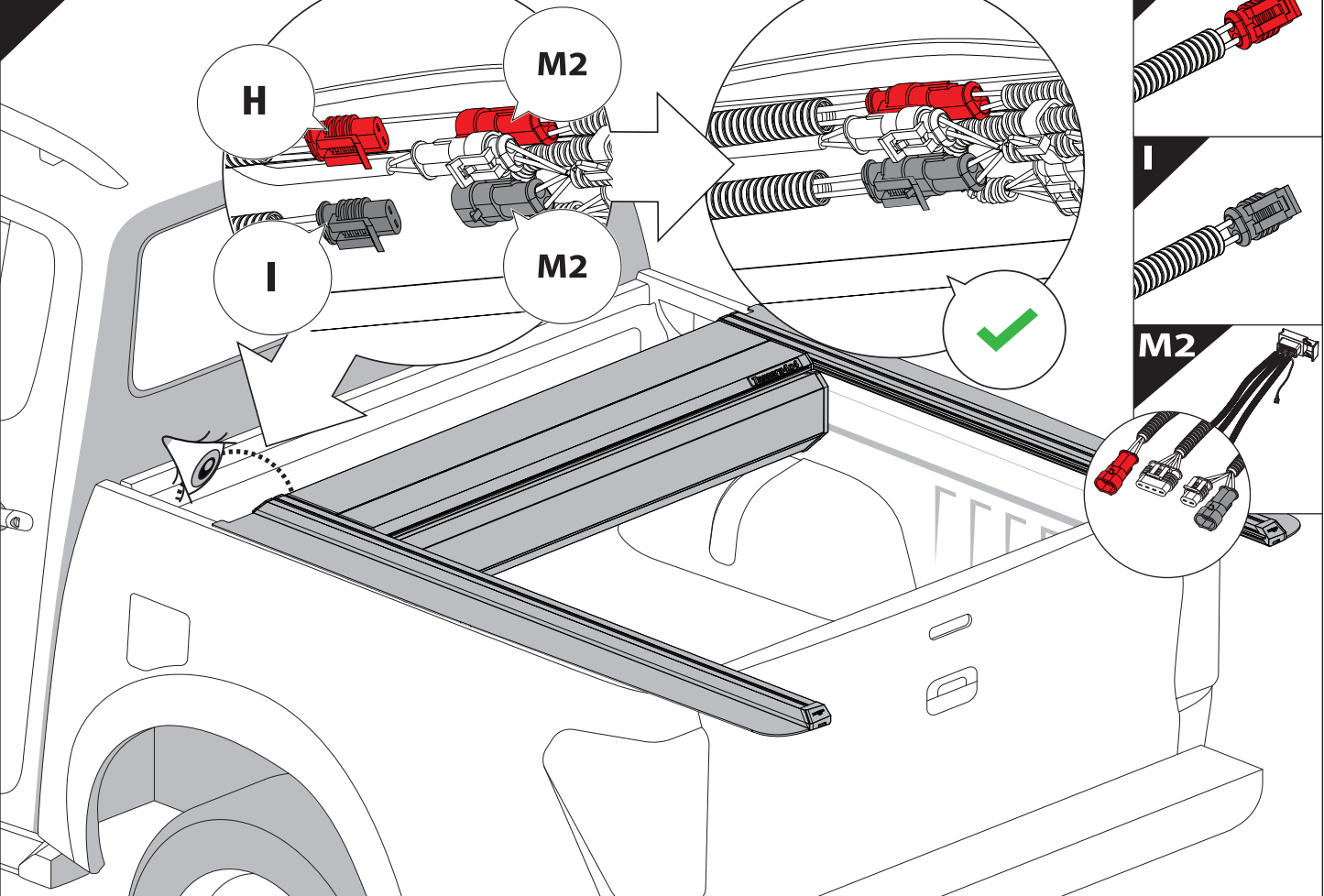
32



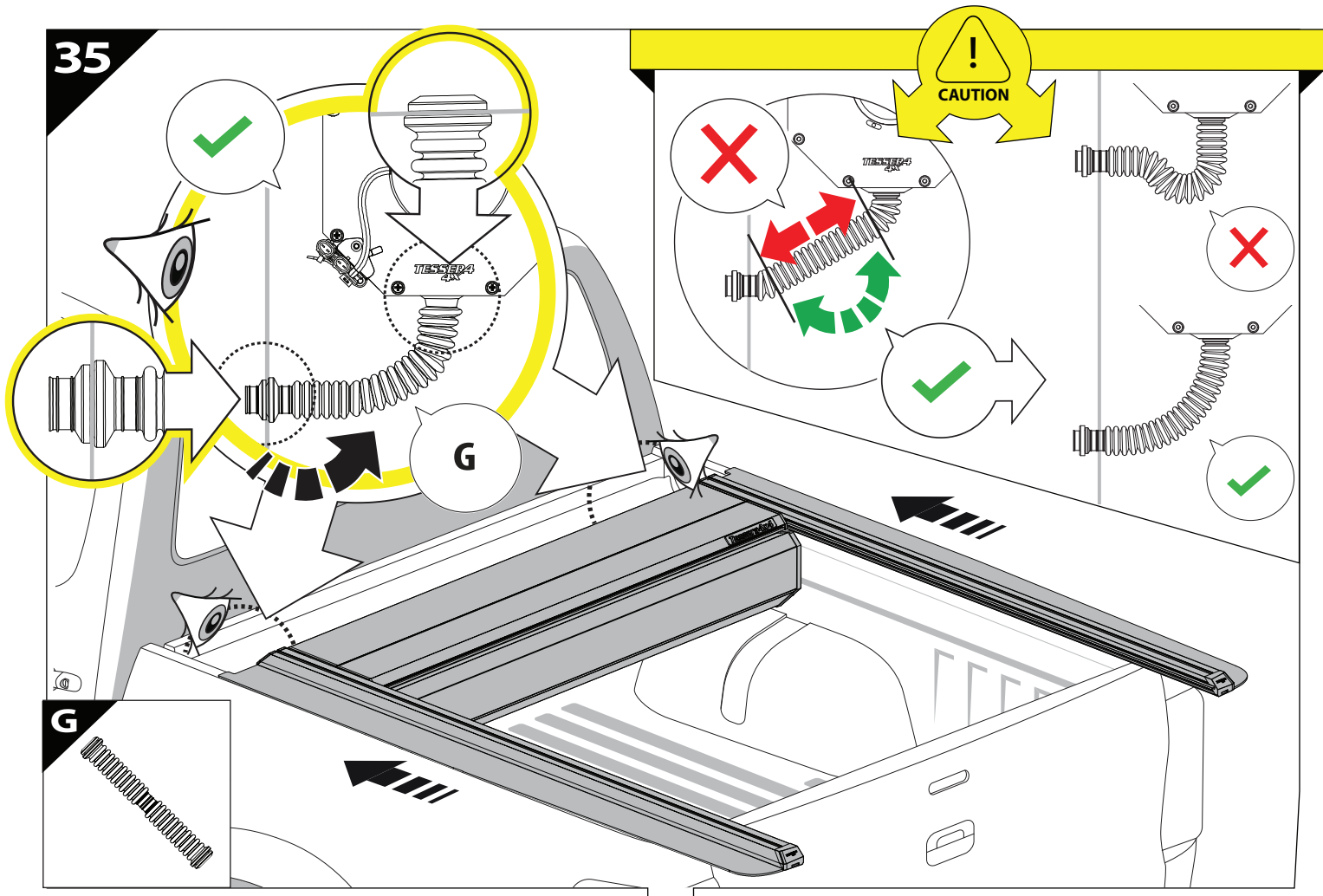
33



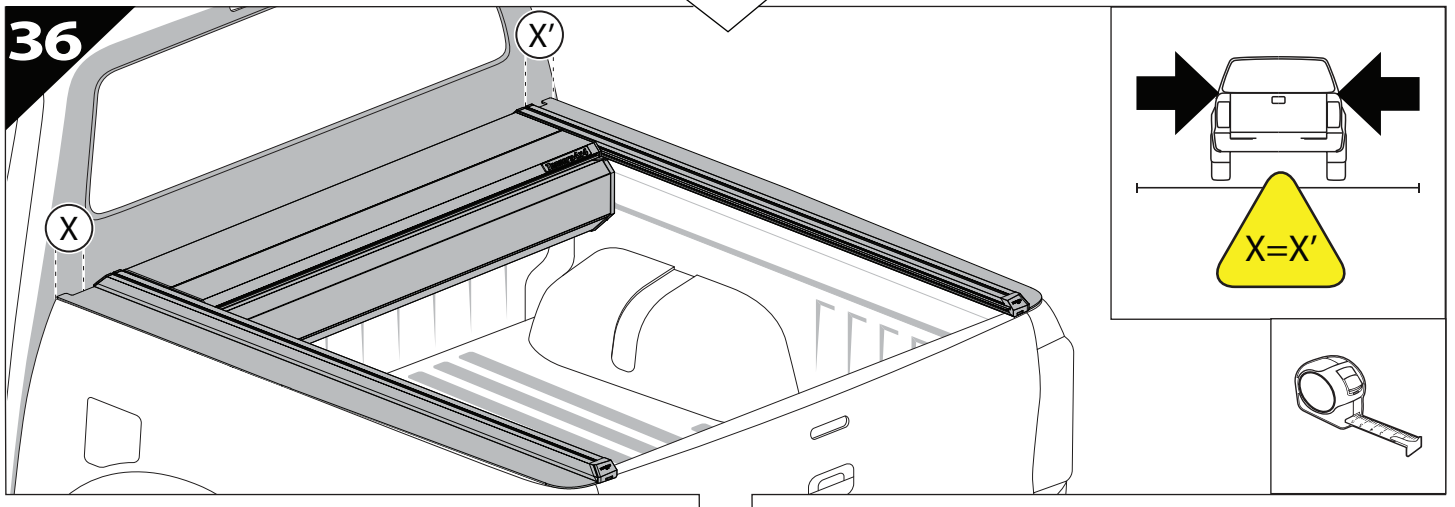
34



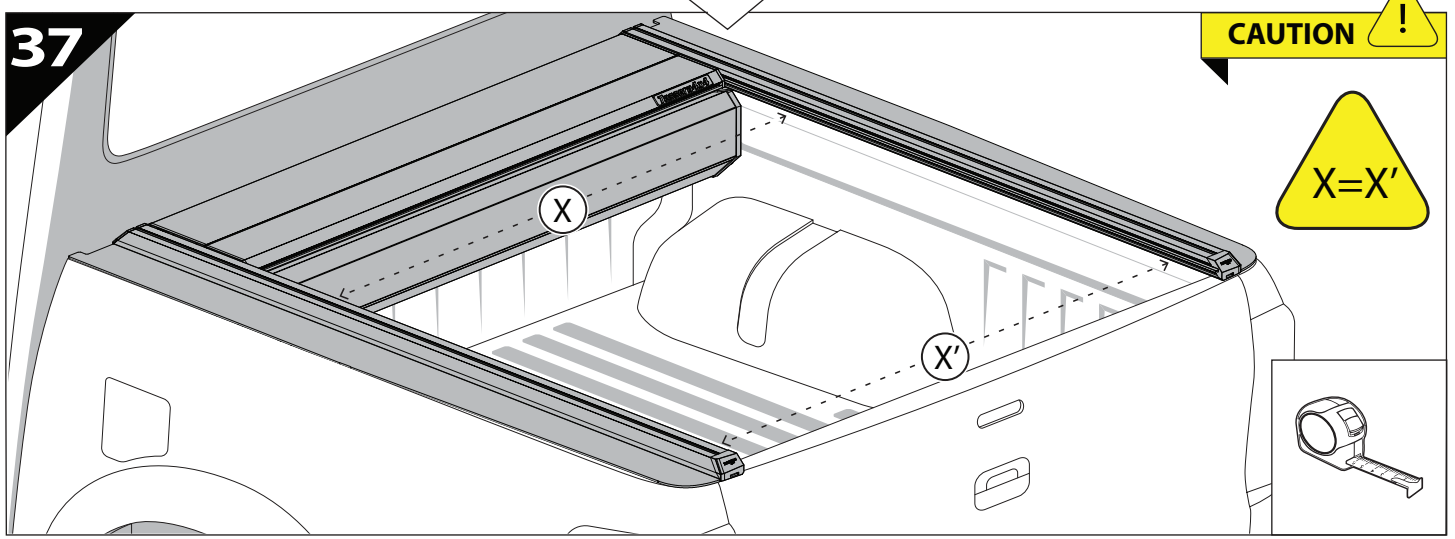
35

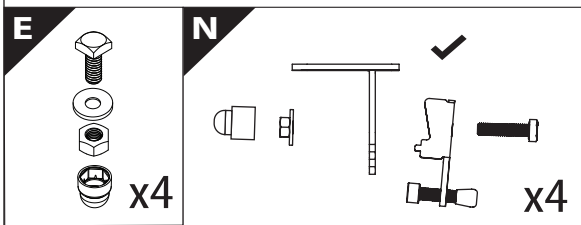
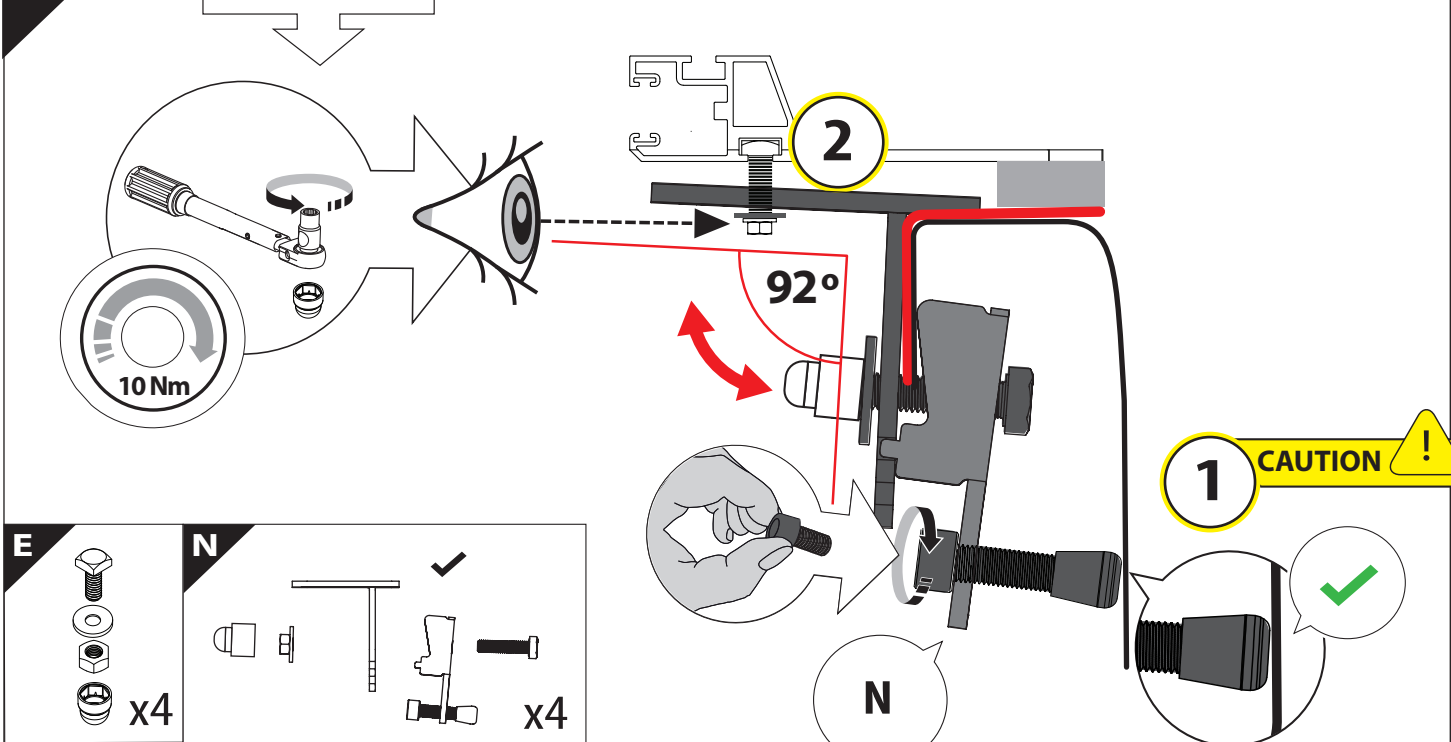
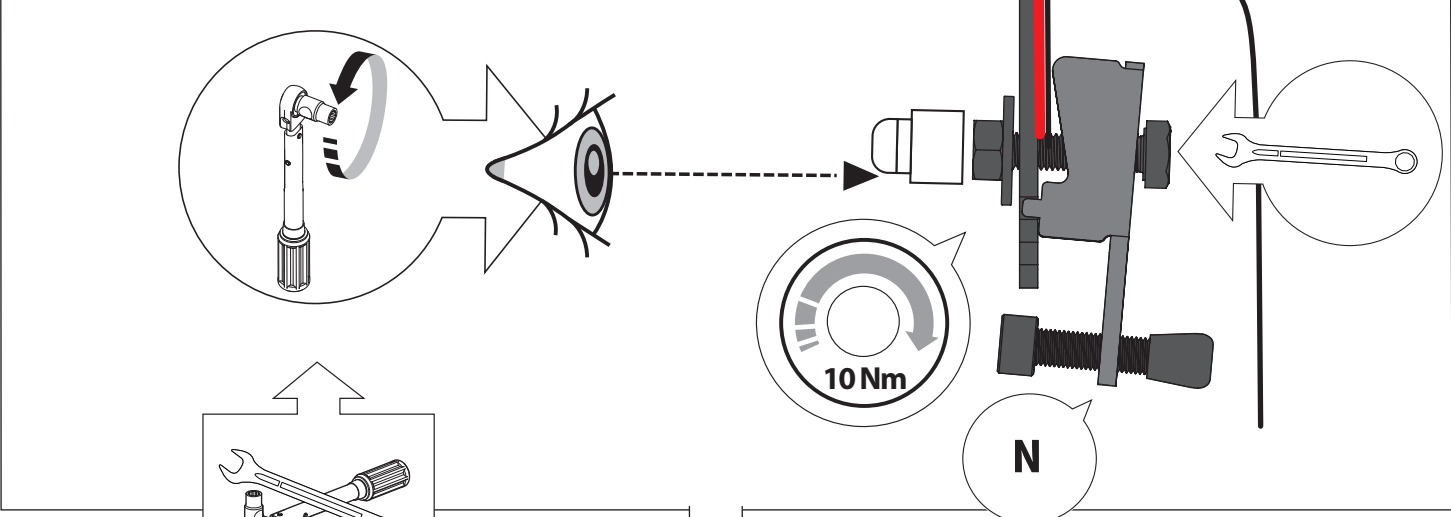
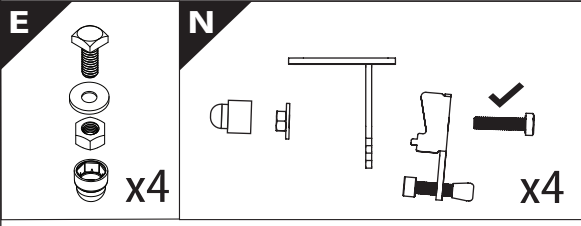
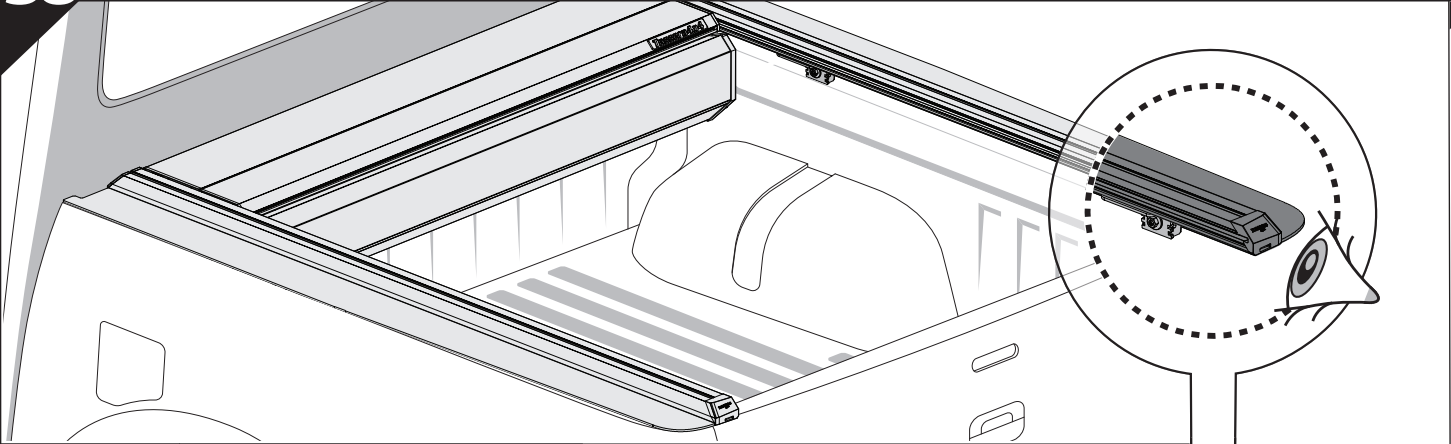


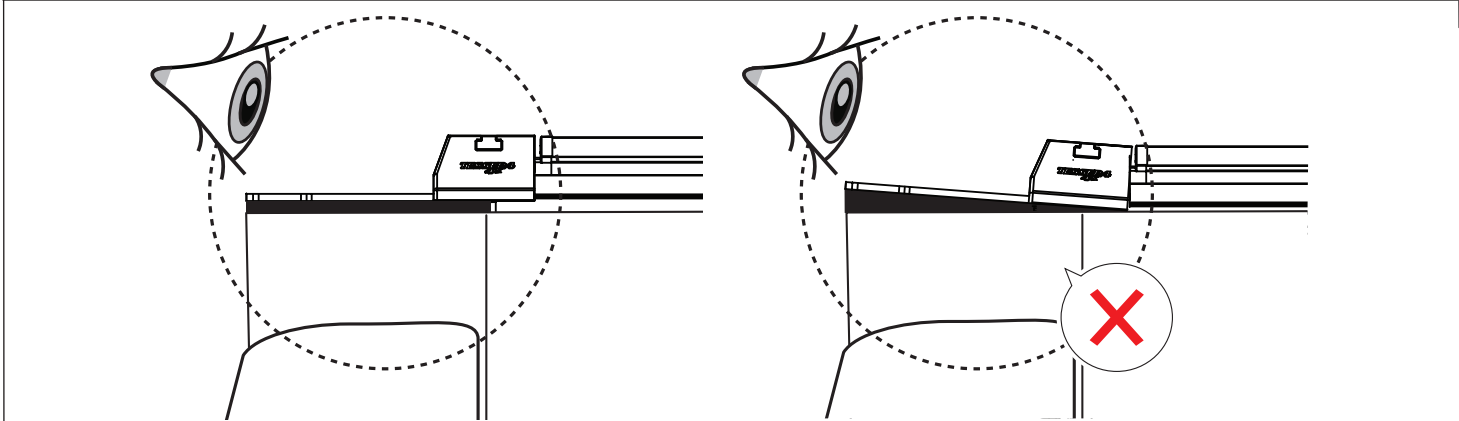
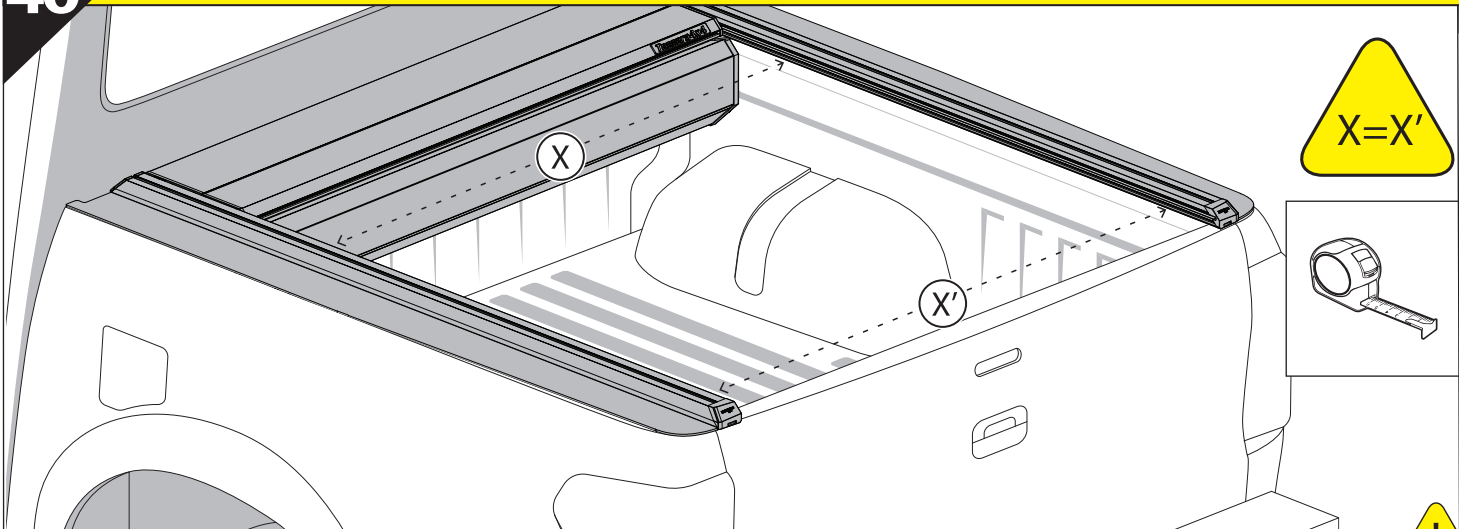
36



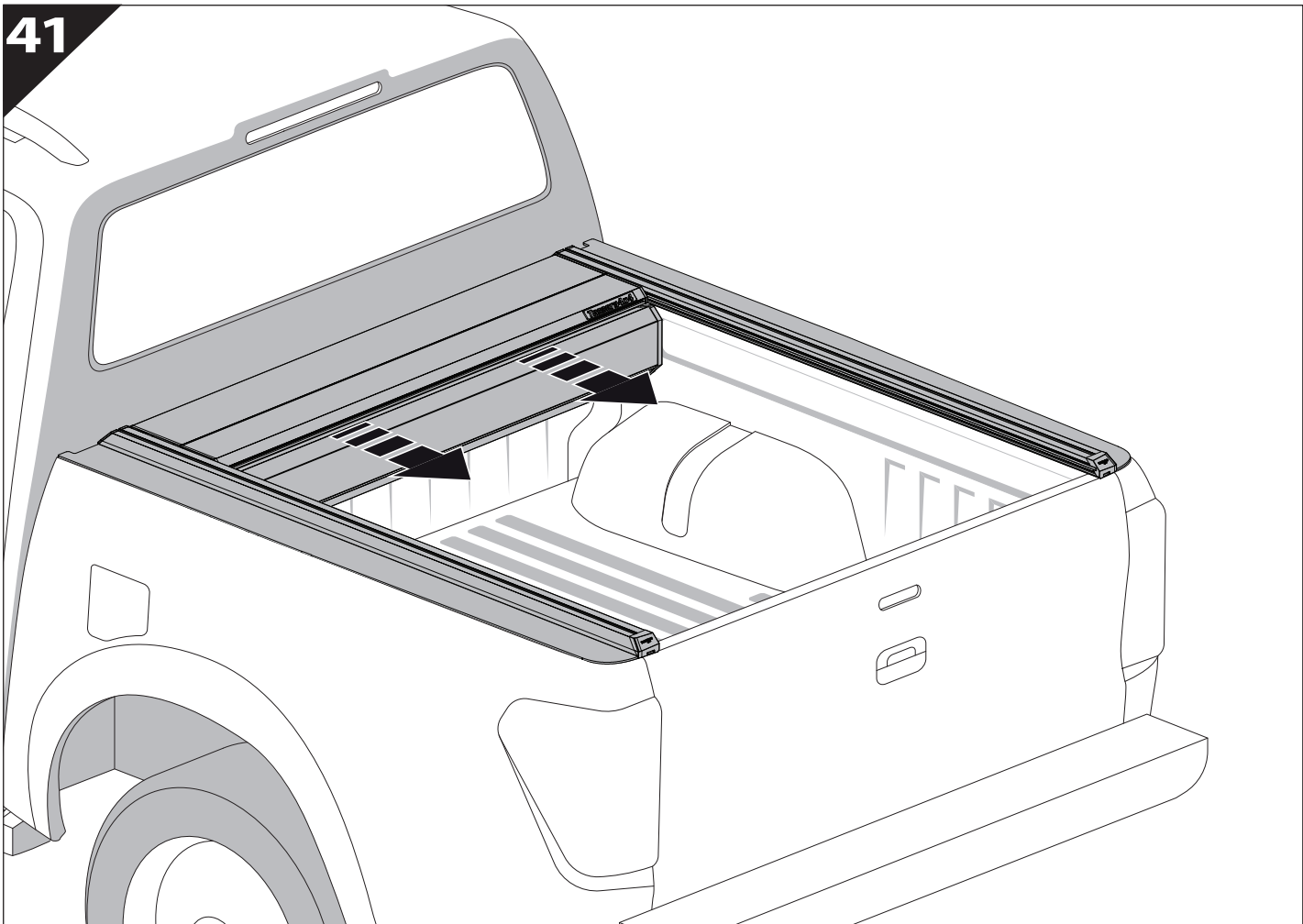
37



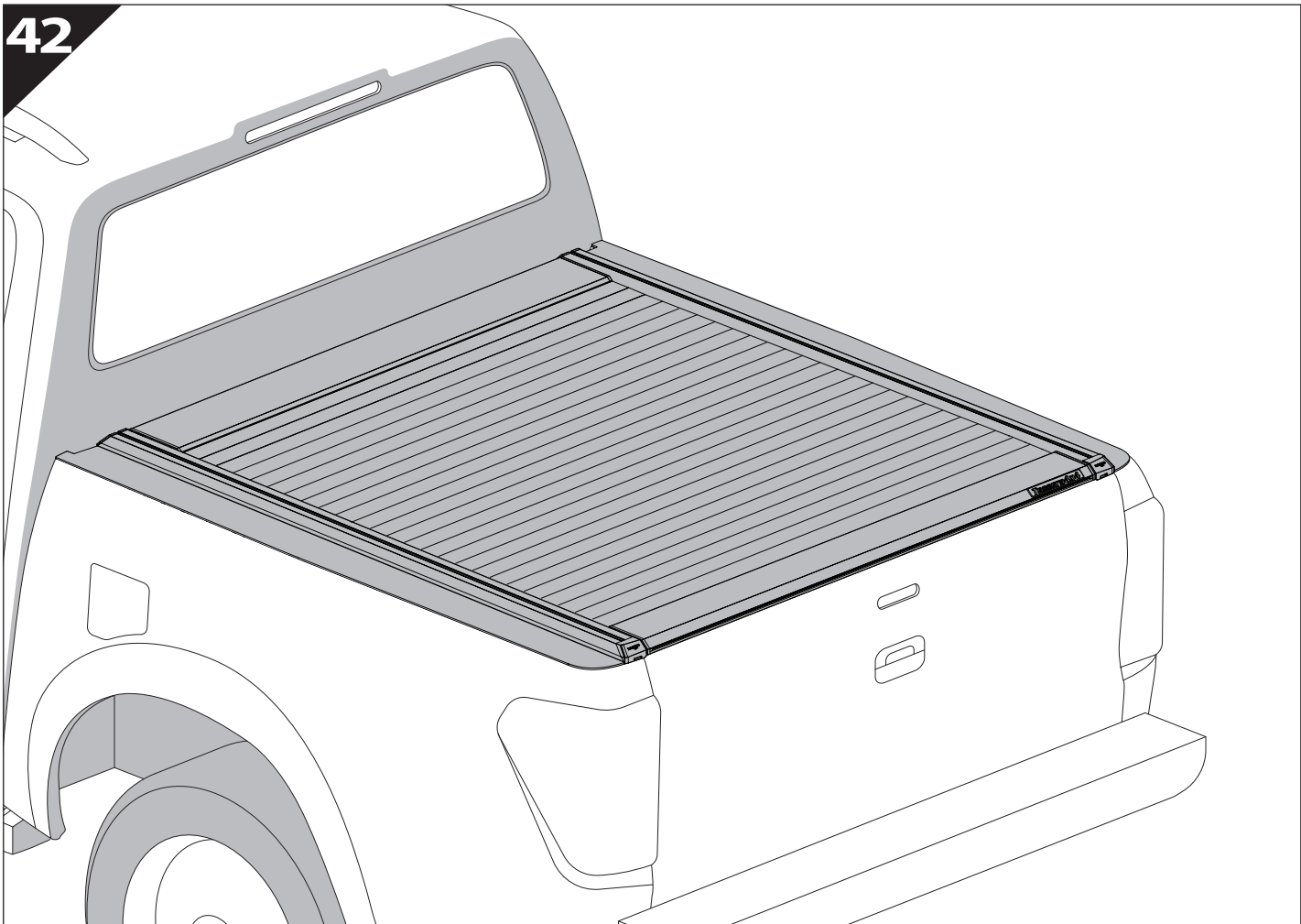




41



42





GR: Οδηγίες Εγκατάστασης
GB: Installation manual
SF: Asennusohje
F: Notice de montage
PL: Instrukcja montażu
NL: Installatie-instructies
TR: Montaj Talimatı
S: Monteringsanvisning
E: Instrucciones de montaje

H: Szerelési utasítás
P: Instruções de instalação
RUS: Инструкция по установке
N: Monteringsveiledning
D: Einbauanleitung
CZ: Návod k instalaci
I: Istruzioni de montaggio
DK: Monteringsvejledning
RO: Instructiuni de instalare

Customer Service:

+30 (210) 5541161, +30 (210) 5541154 (08:00 - 16:00 EET)

Support department:

info@gianso.gr

Website:

www.tessera4x4.com

Address:

19.5 km of National road Athens-Korinthos (Elefsina) Greece, P.C: 19200