

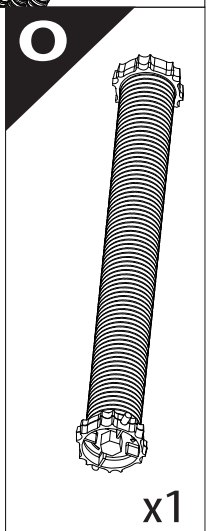
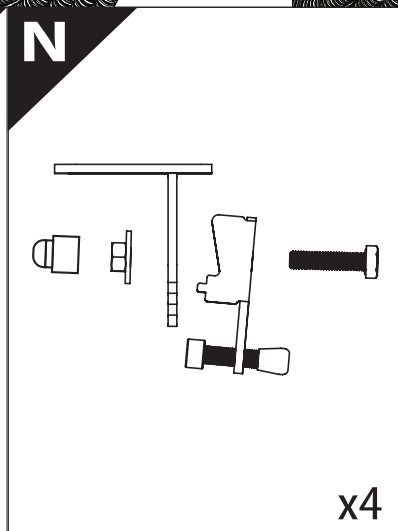
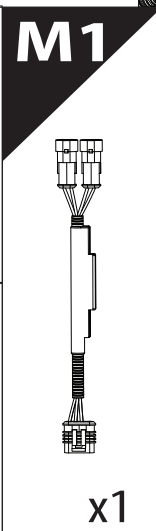
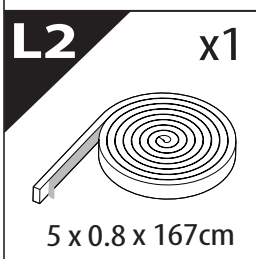
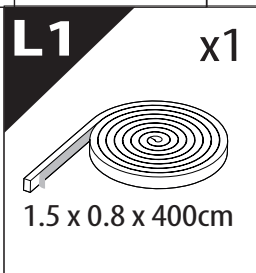
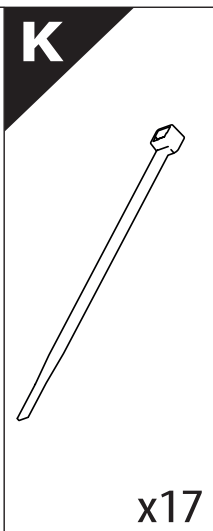
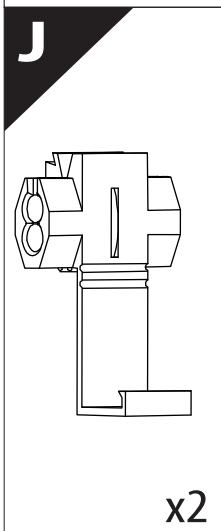
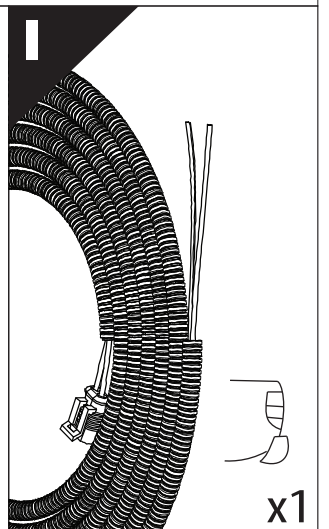
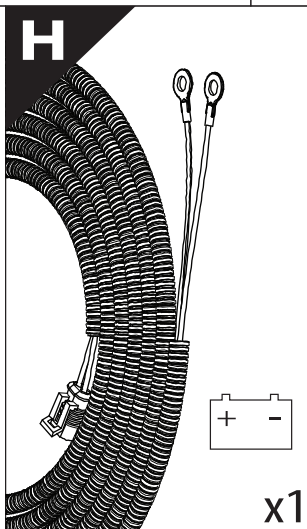
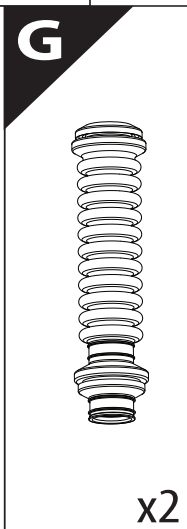
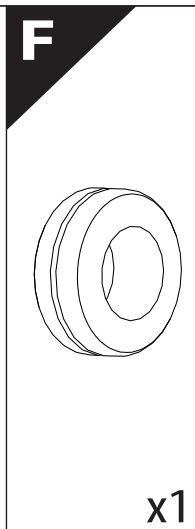
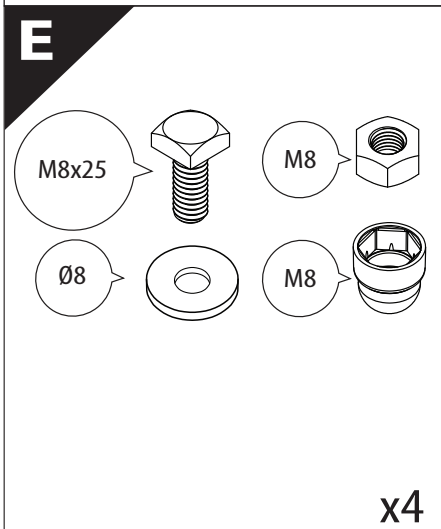
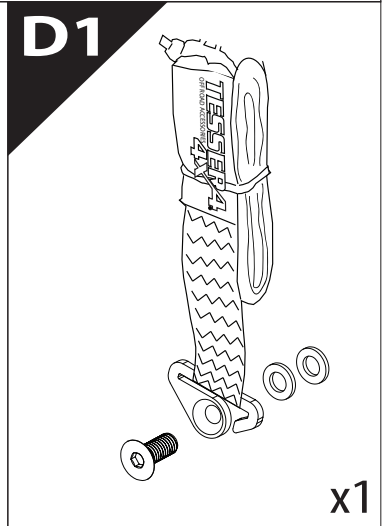
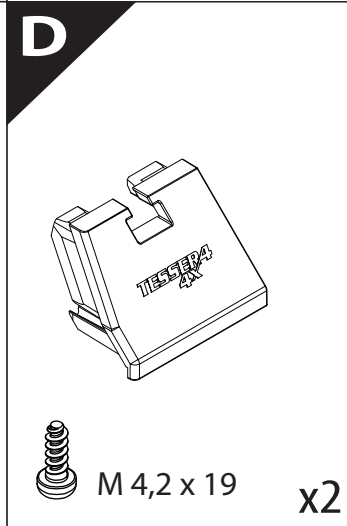
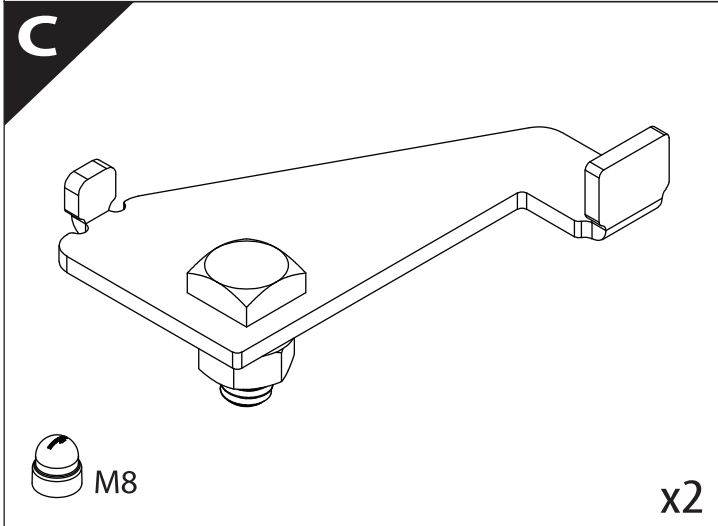
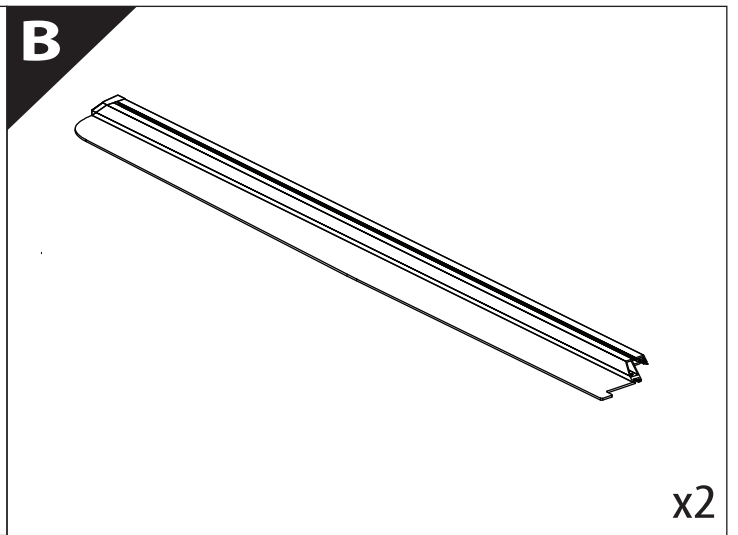
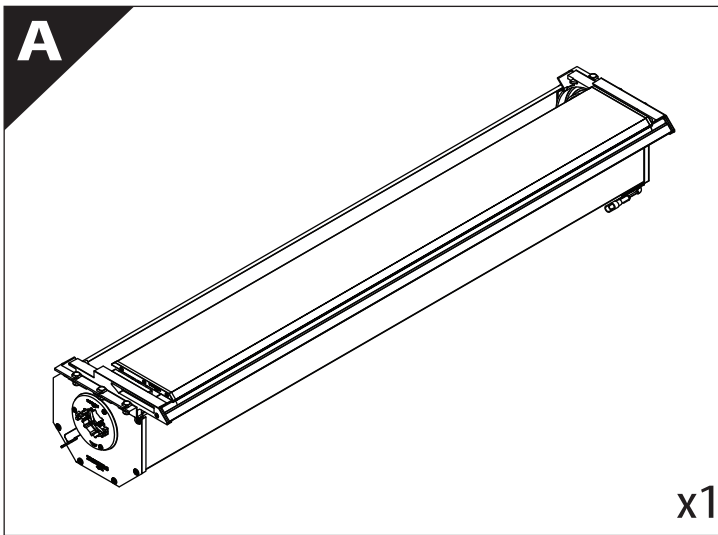
Tessera Roll+

Basic Version + ⚙️ S-KIT

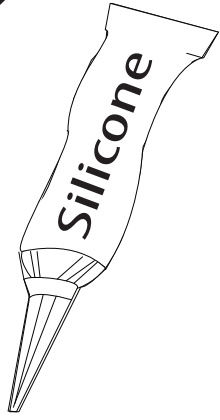


Installation Manual

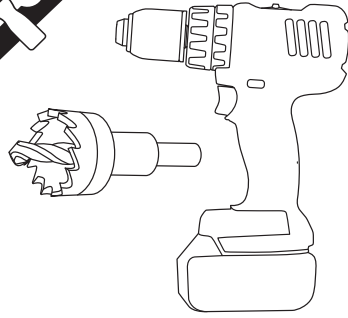
| PART NUMBER(S) | Model Year |
|----------------------|----------------------------|
| TESS 1439 ROLL+S-KIT | FORD MAVERICK 2022+ |
| Cab(s) | Installation Time / Weight |
| SuperCrew | 40-60 minutes / 53-57 kg |



P



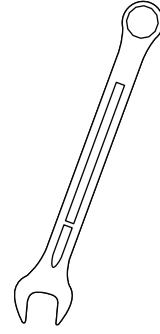
x1



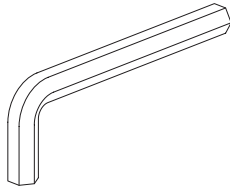
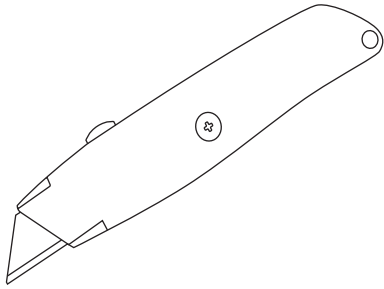
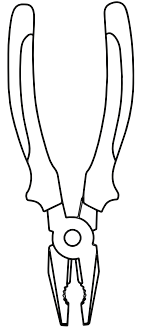
Ø 25 mm / Ø 40 mm



+

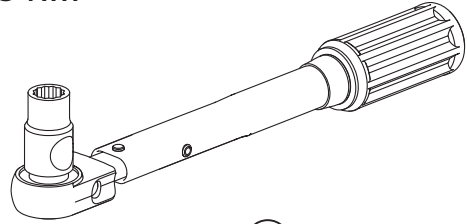


13 mm

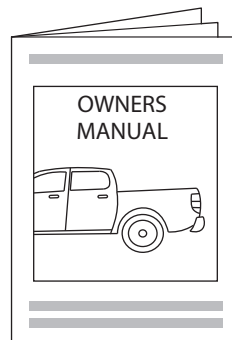
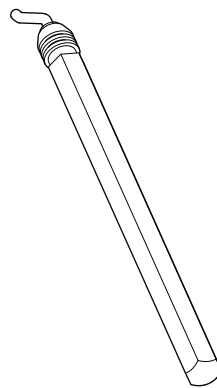
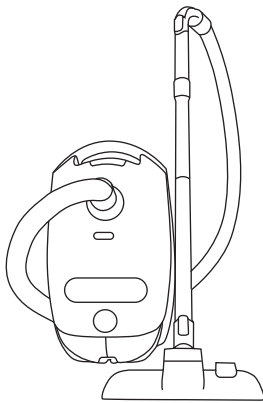
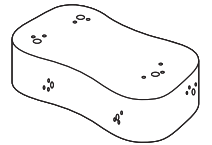
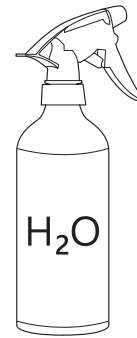
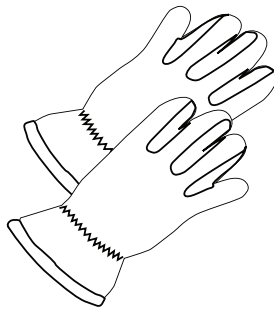
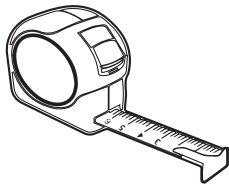


4 mm

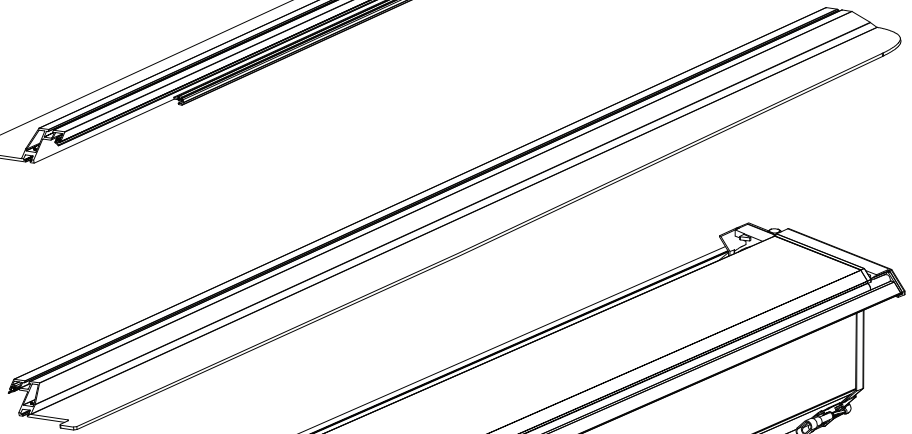
1 - 25 Nm



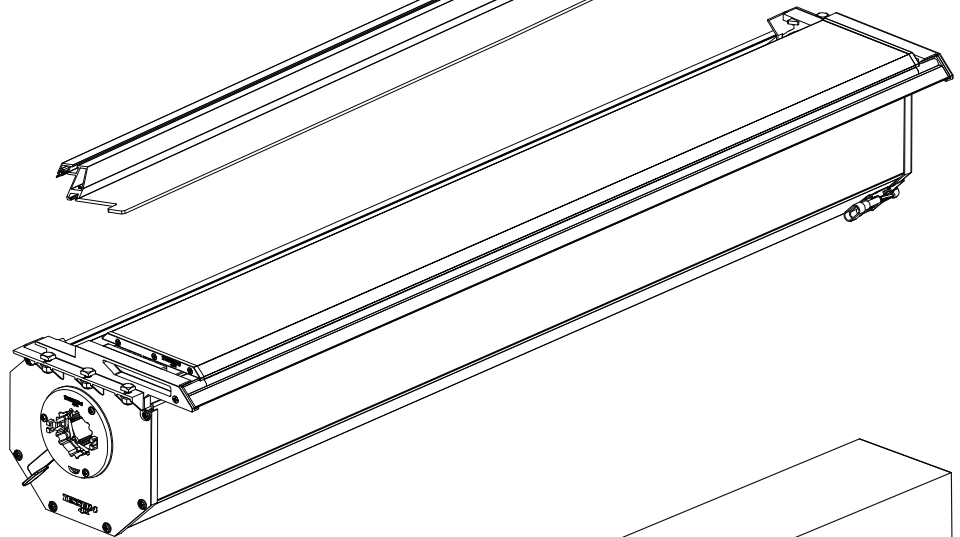
12, 13, 17 mm



x1

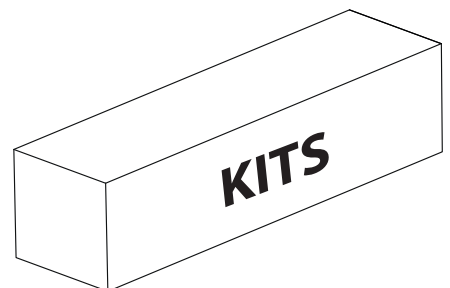


B

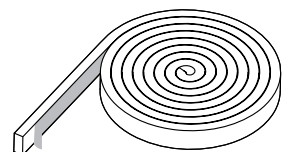


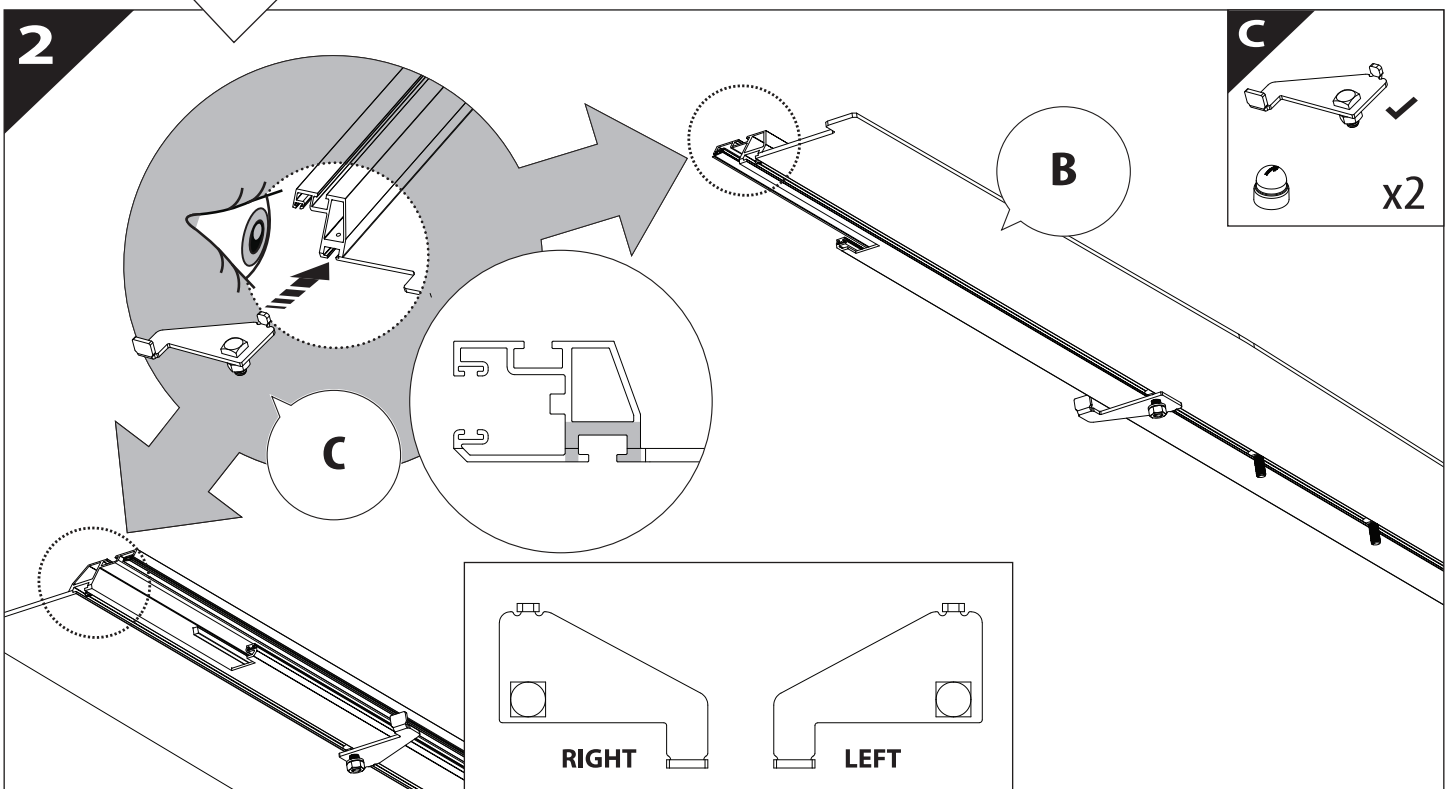
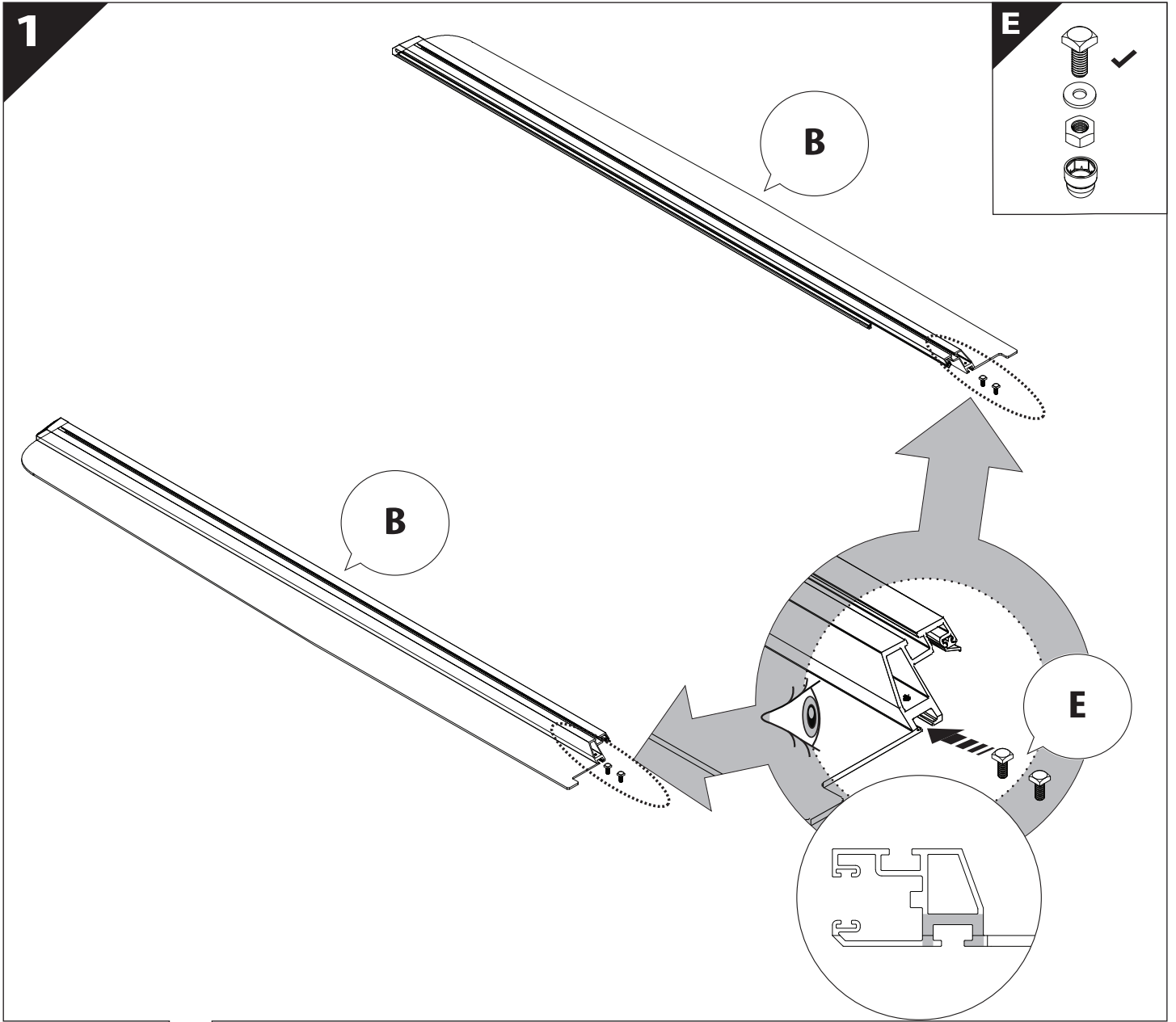
A

KITS

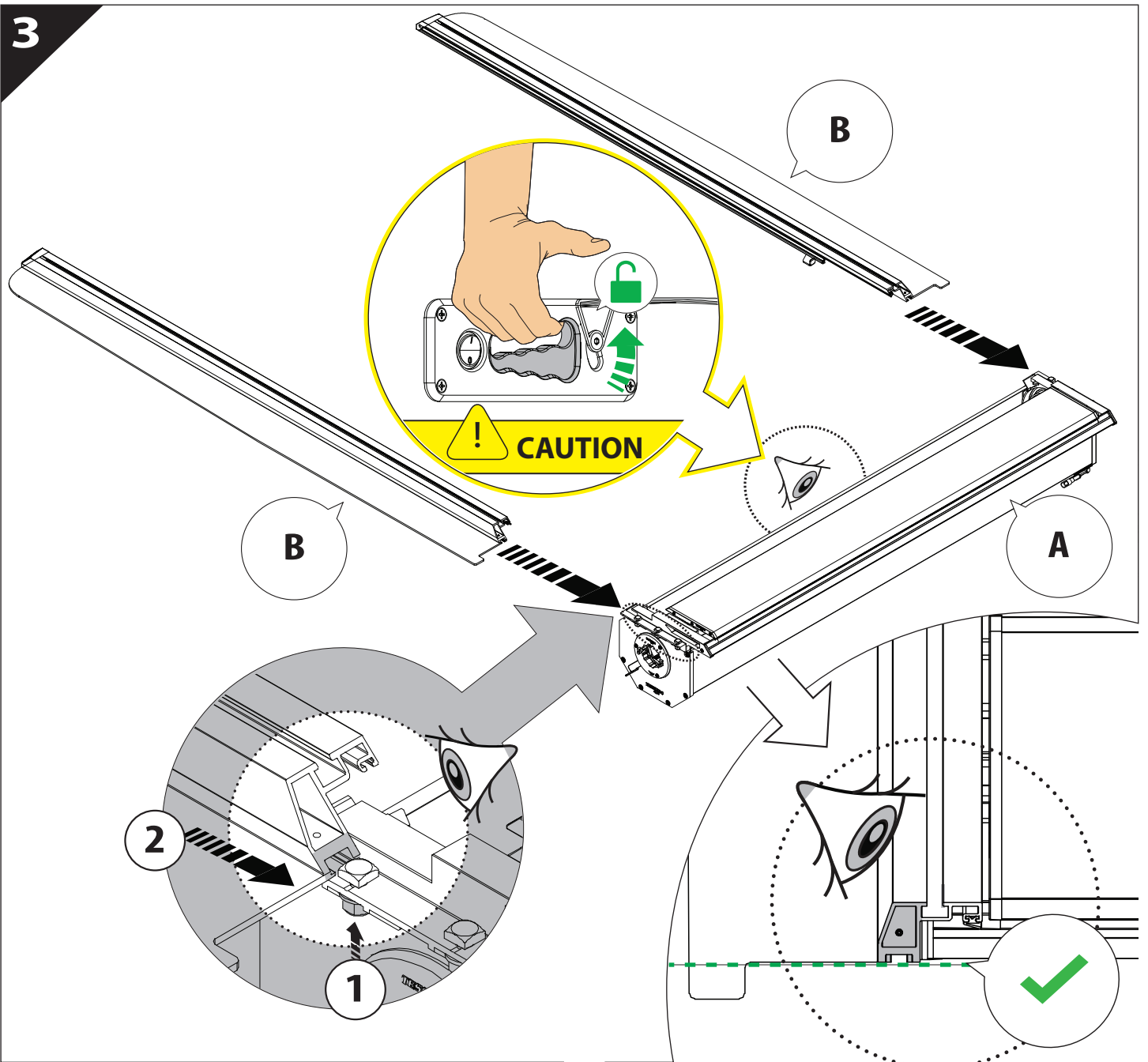


L

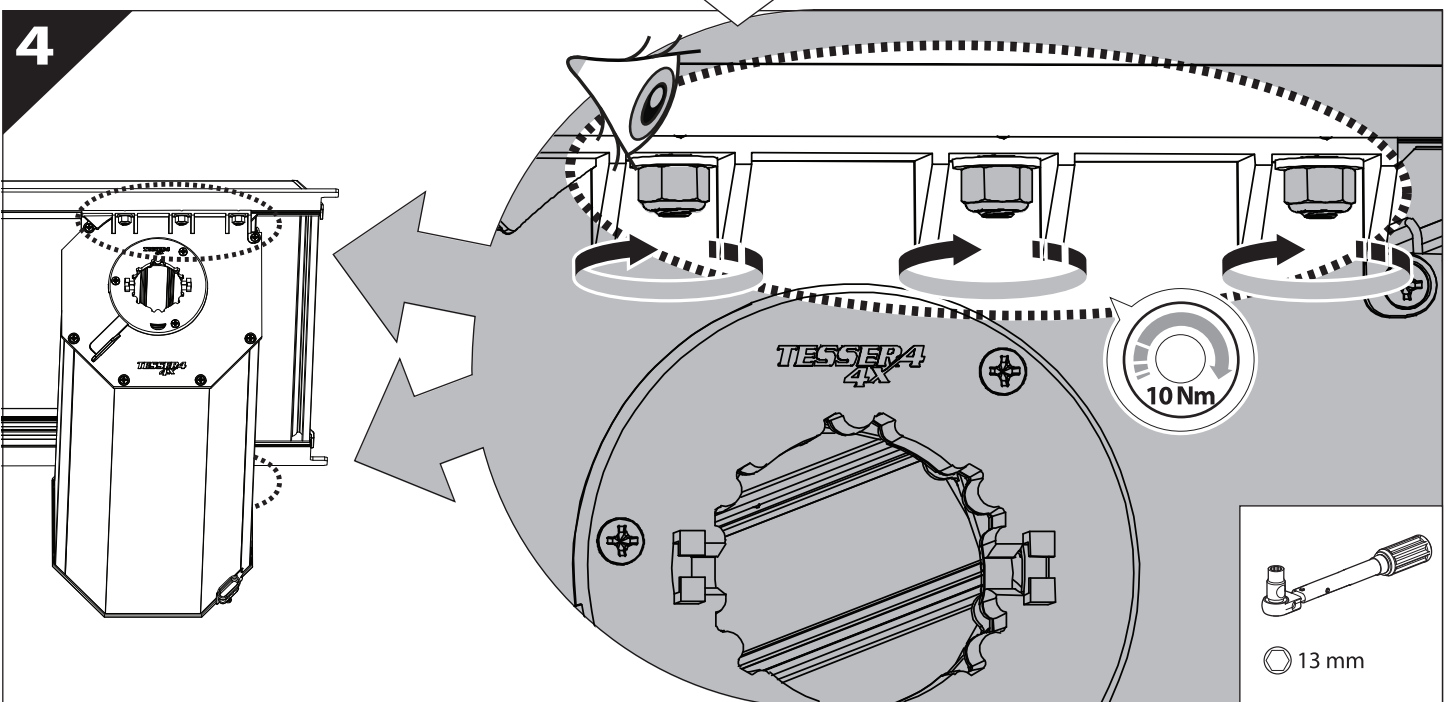


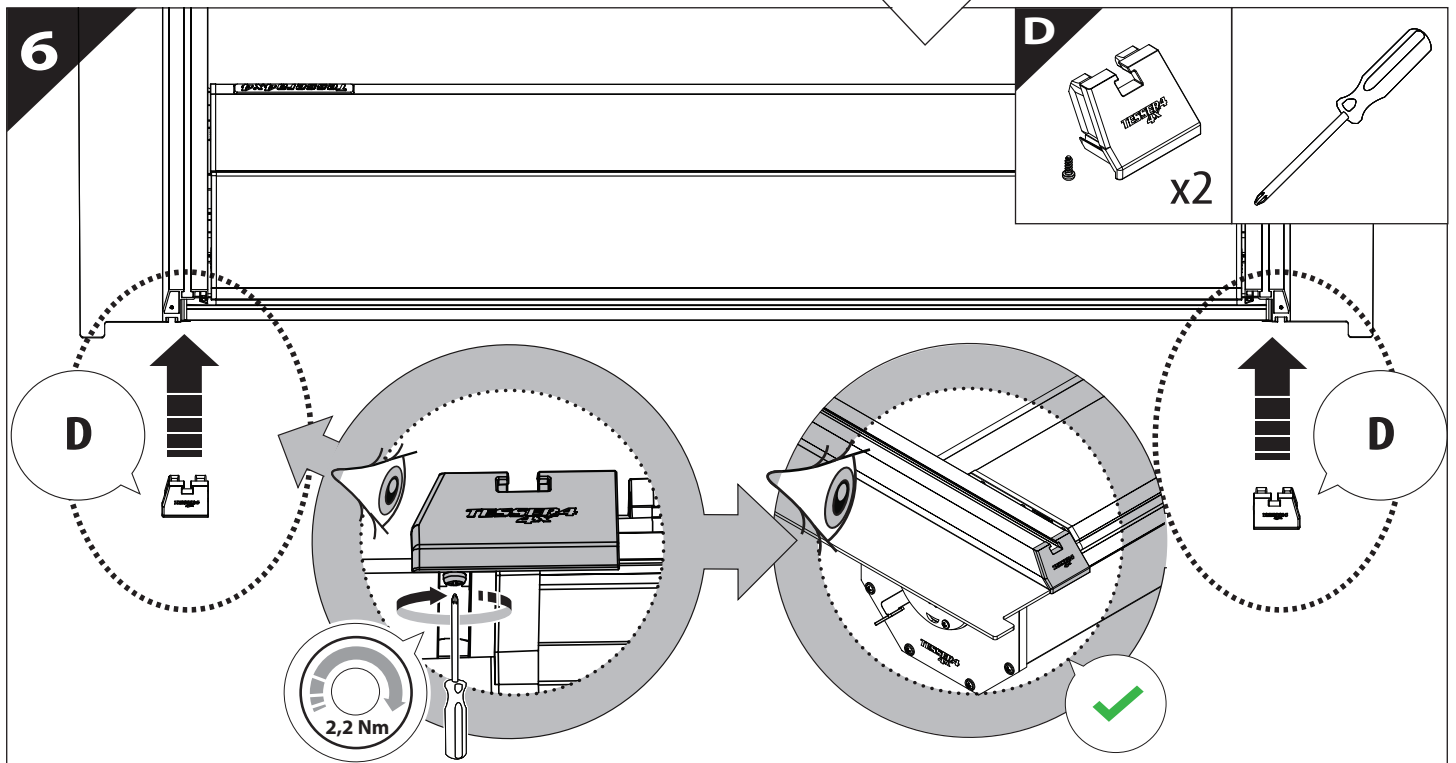
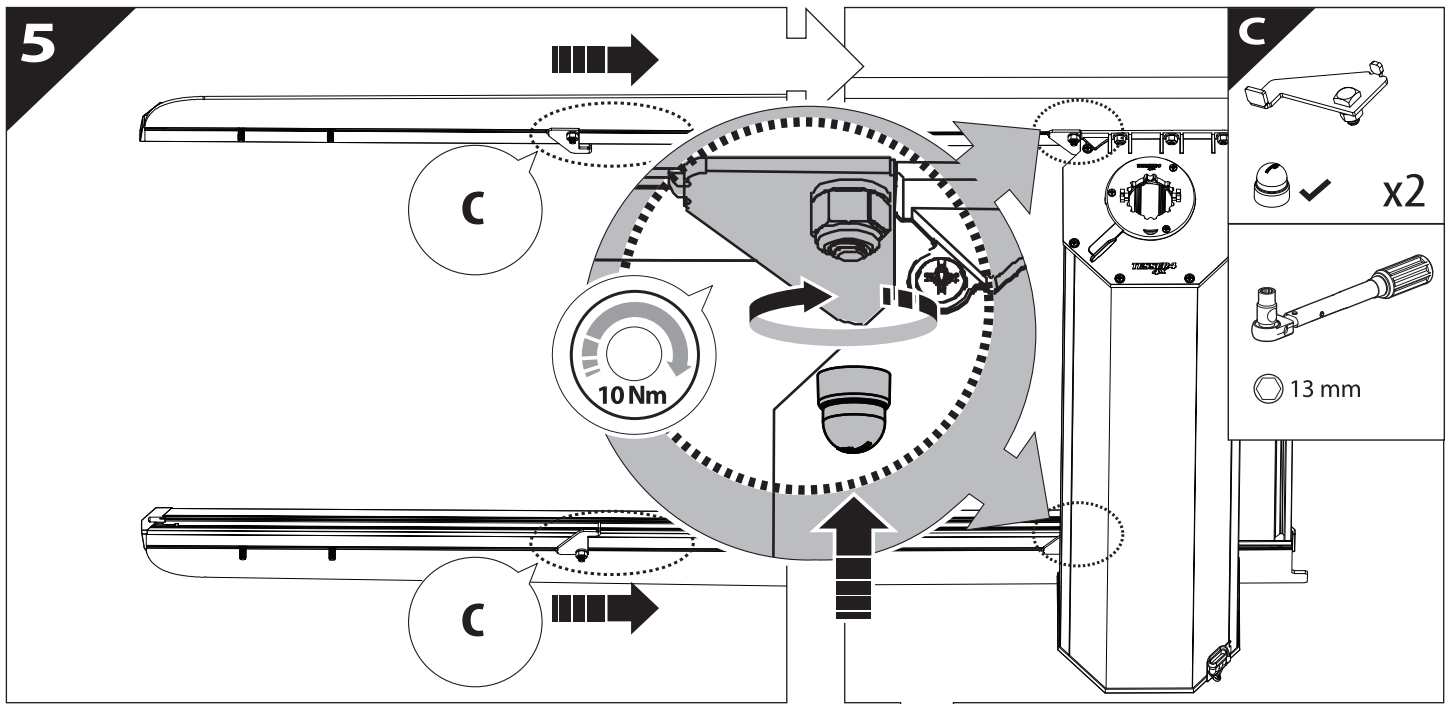


3

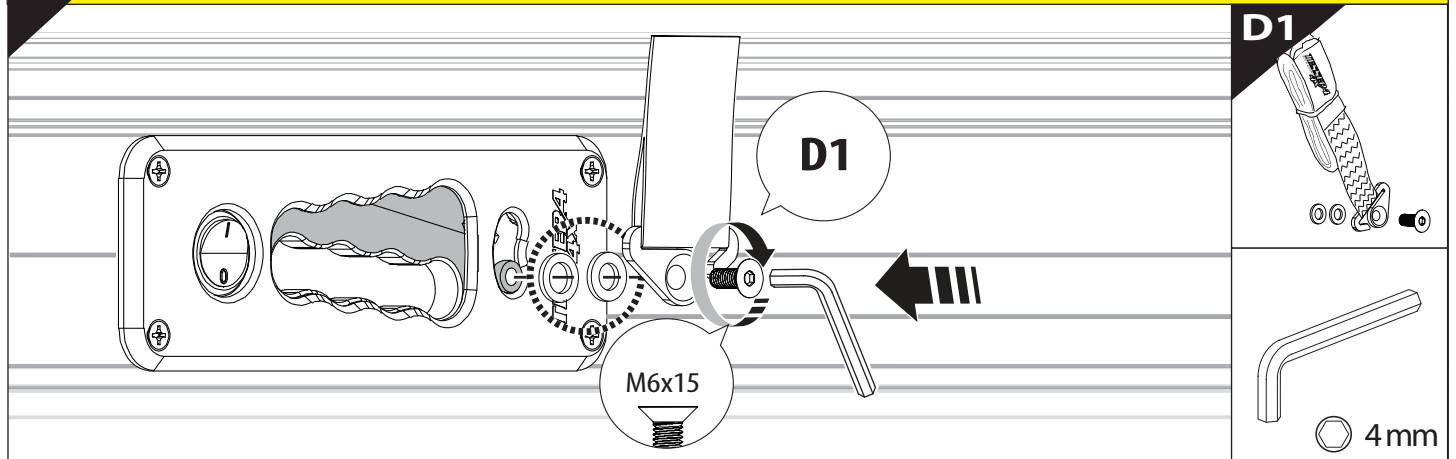


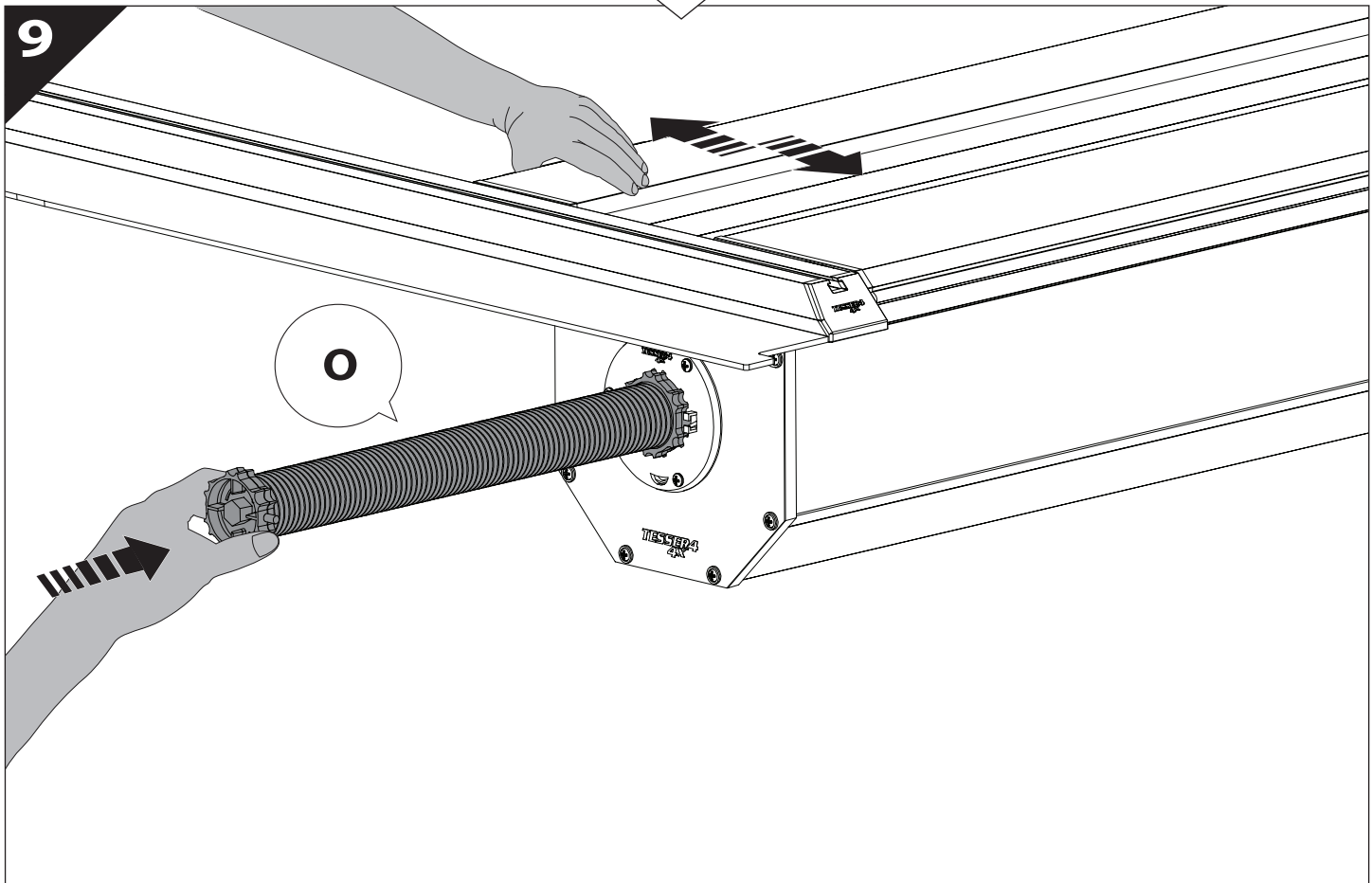
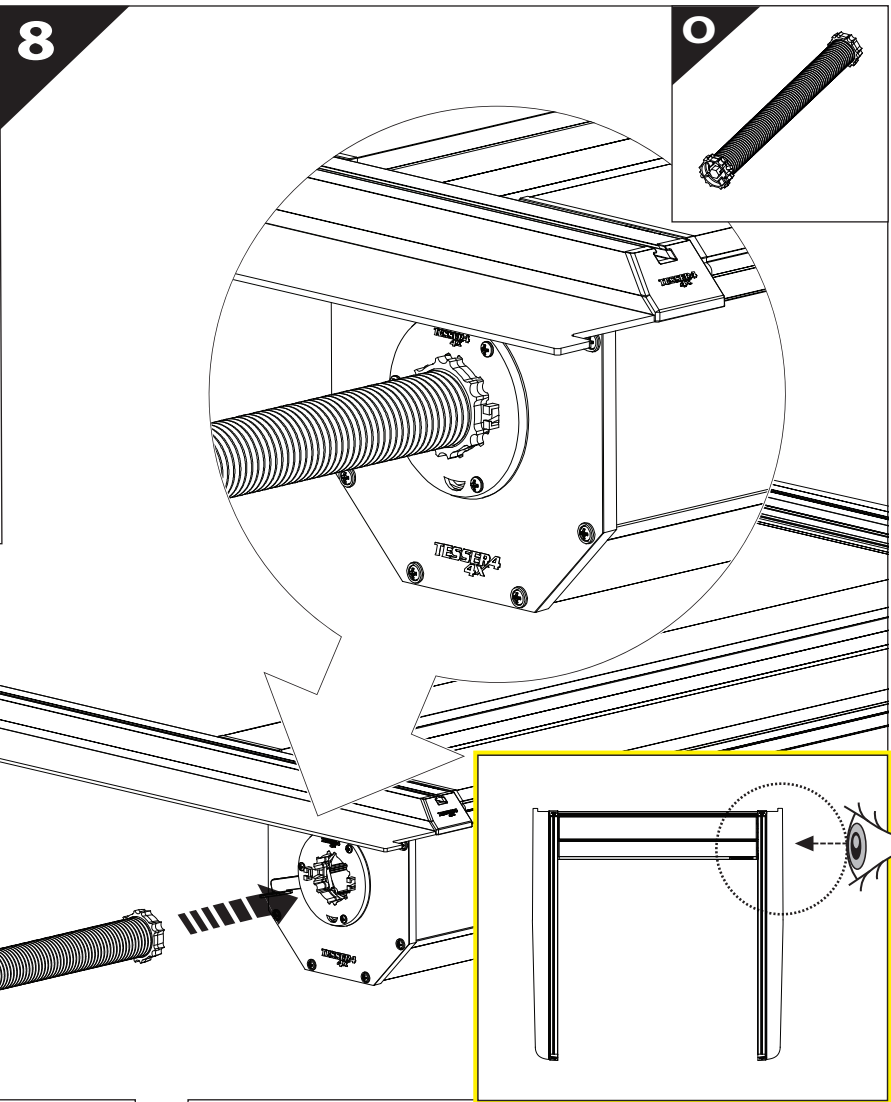
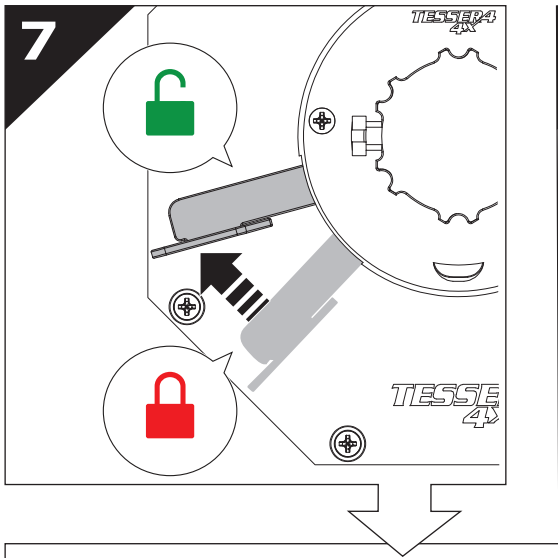
4



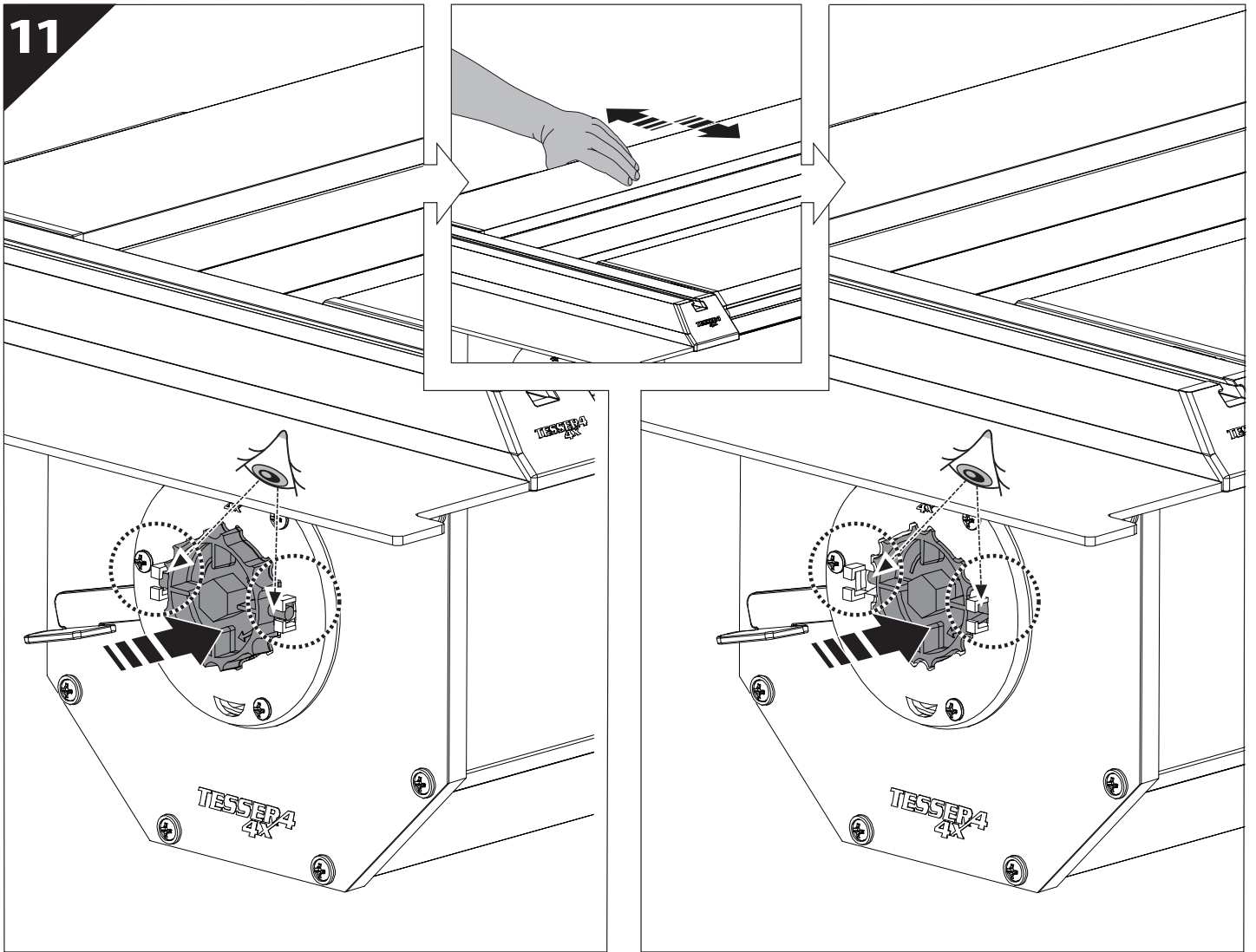


6.1 **CAUTION** Basic Version ✓ & Basic+S-KIT Version ✓

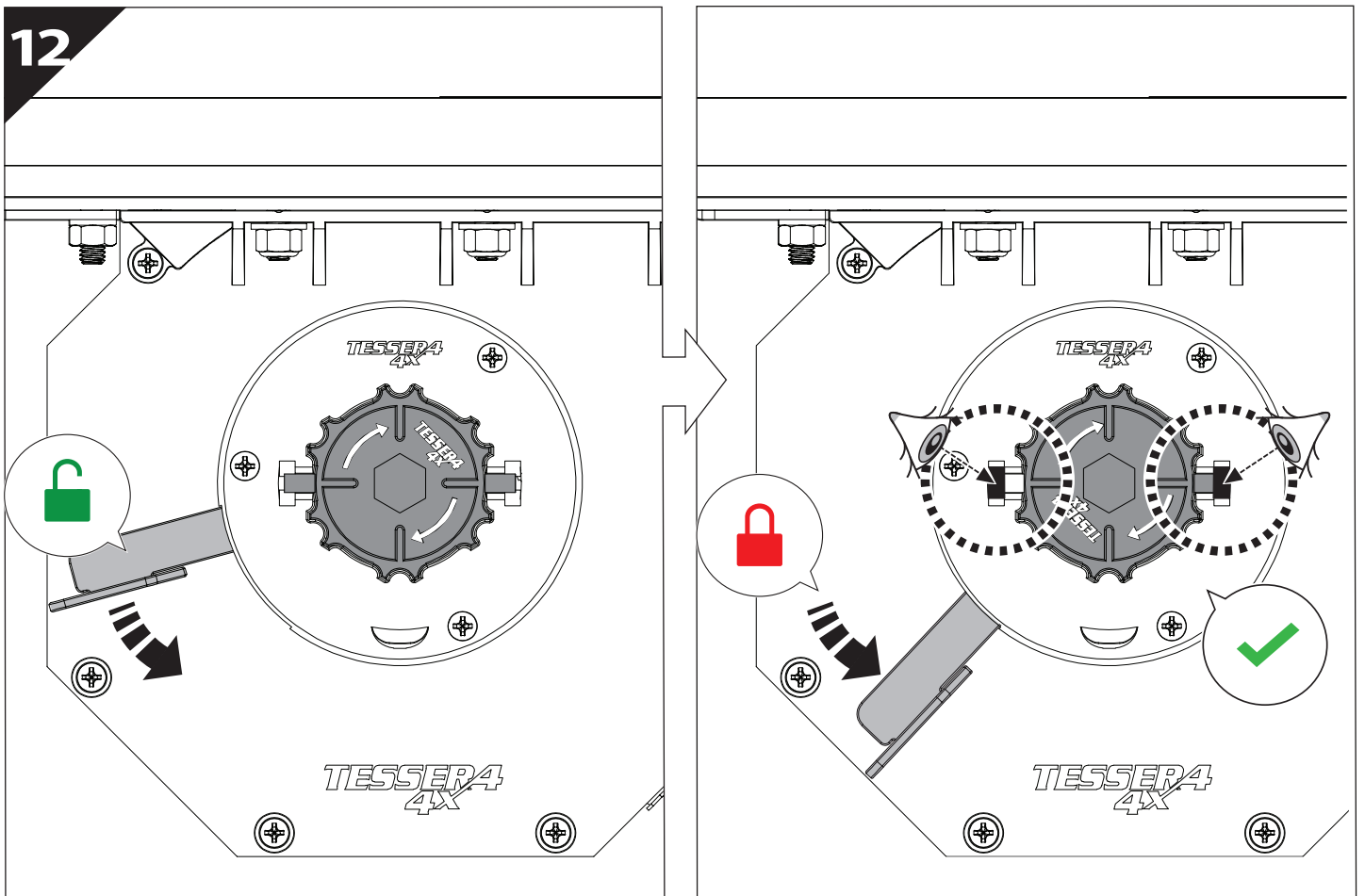




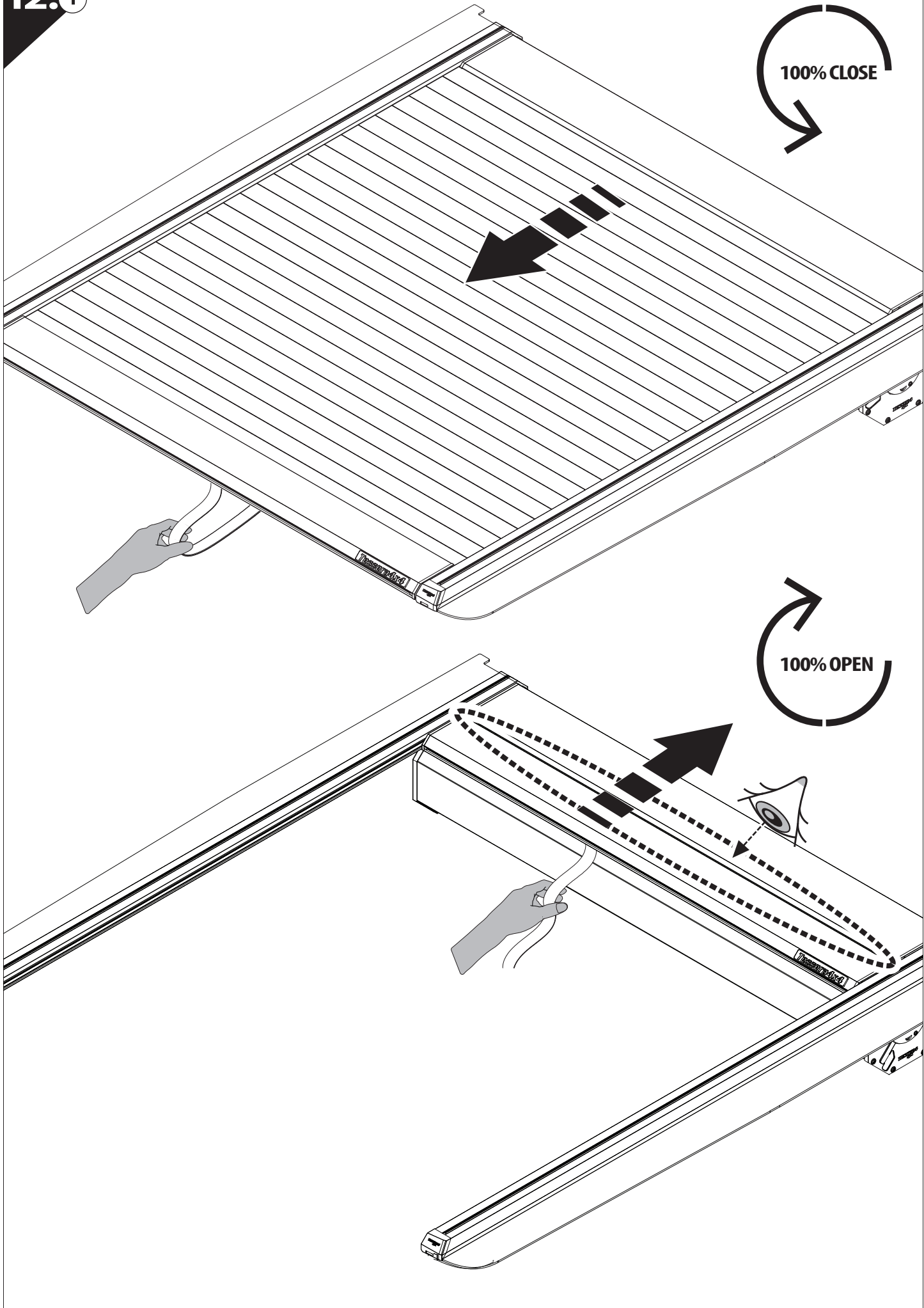
11



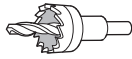
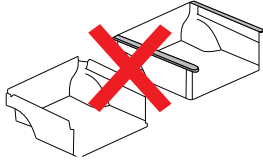
12



12.0



13



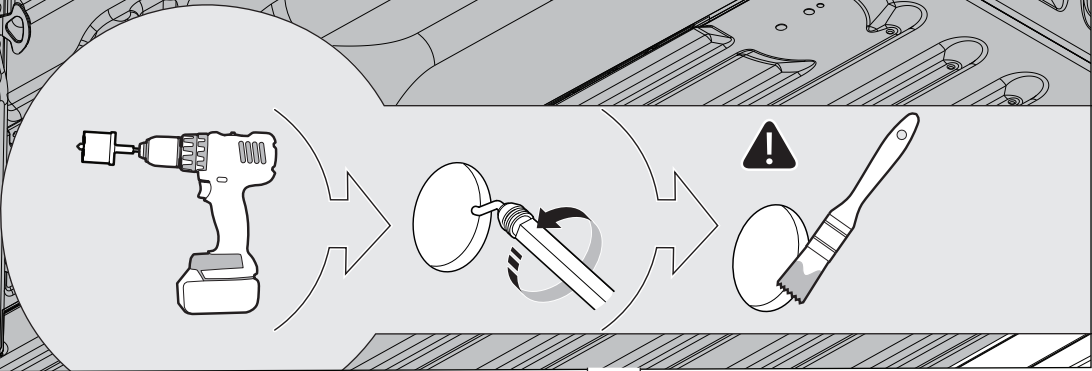
Ø 25 mm



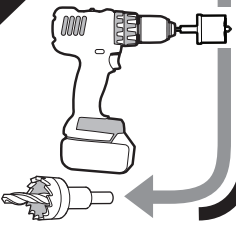
Rust Protection

130 mm

! TRY TO FIND FREE & STRAIGHT SPOTS IN THESE DIMENSIONS ACCORDINGLY

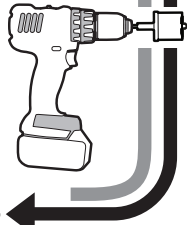


13.1



1

Ø 40 mm



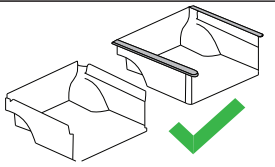
2

Ø 25 mm

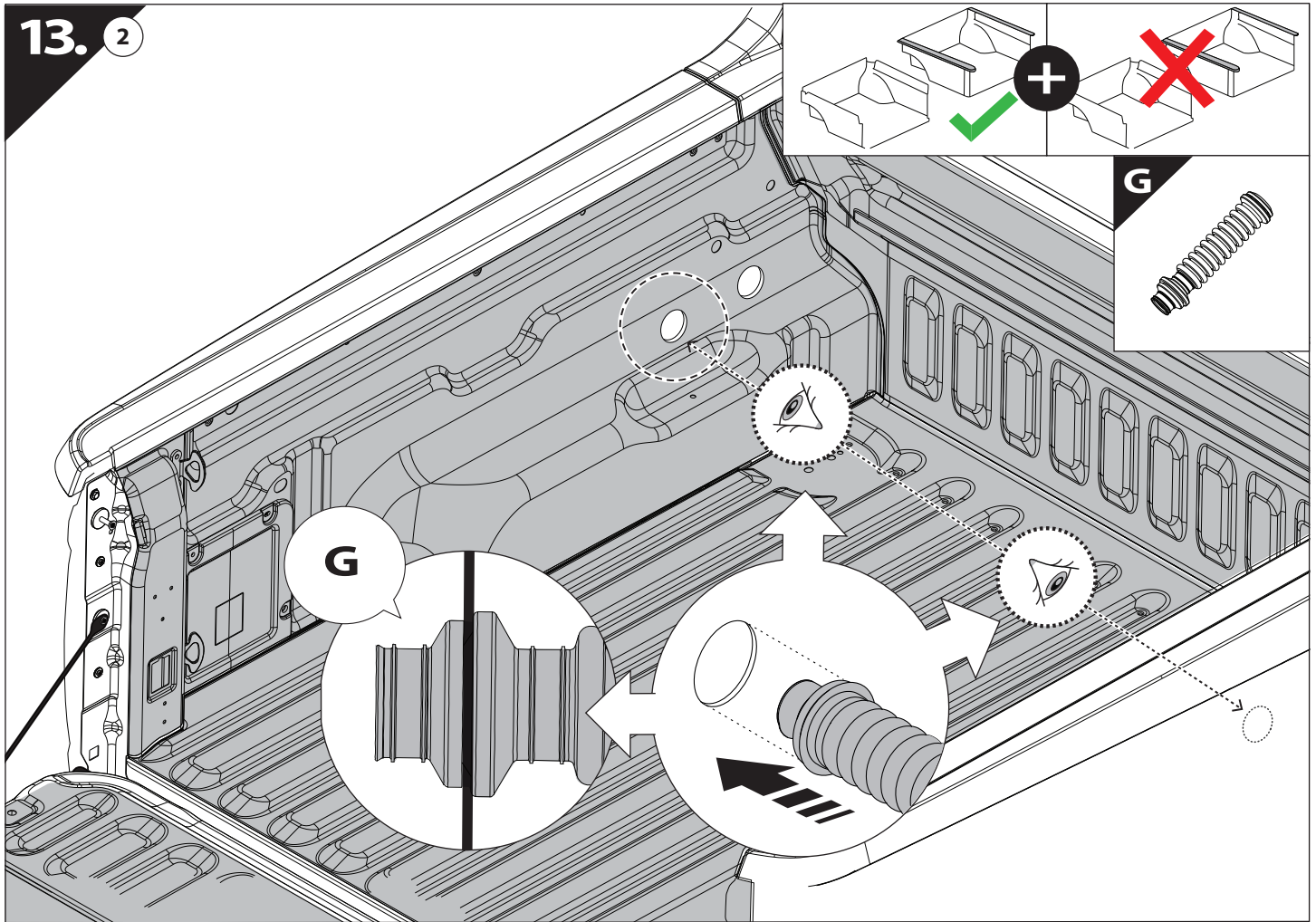


130 mm

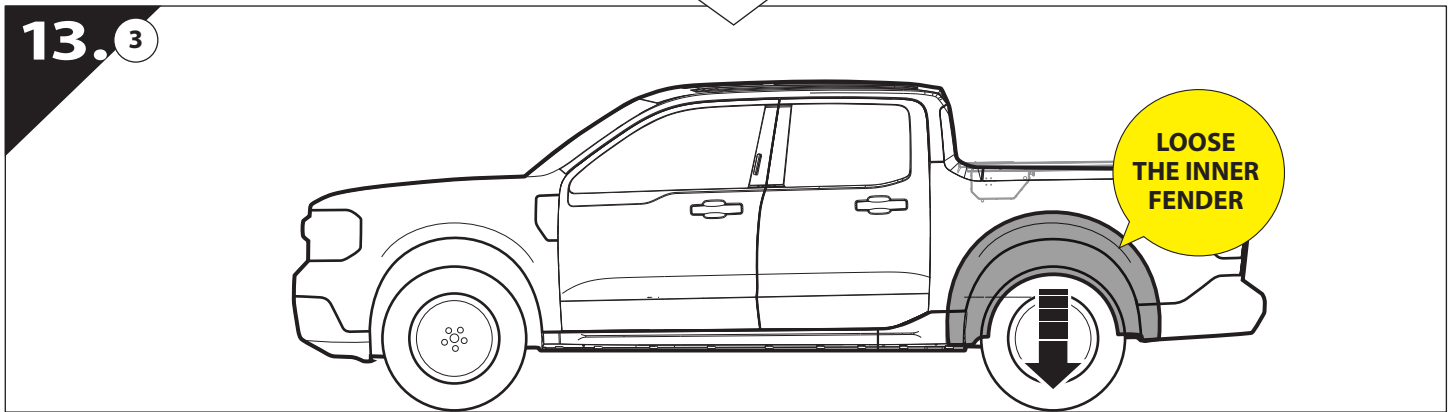
! TRY TO FIND FREE & STRAIGHT SPOTS IN THESE DIMENSIONS ACCORDINGLY



13. 2

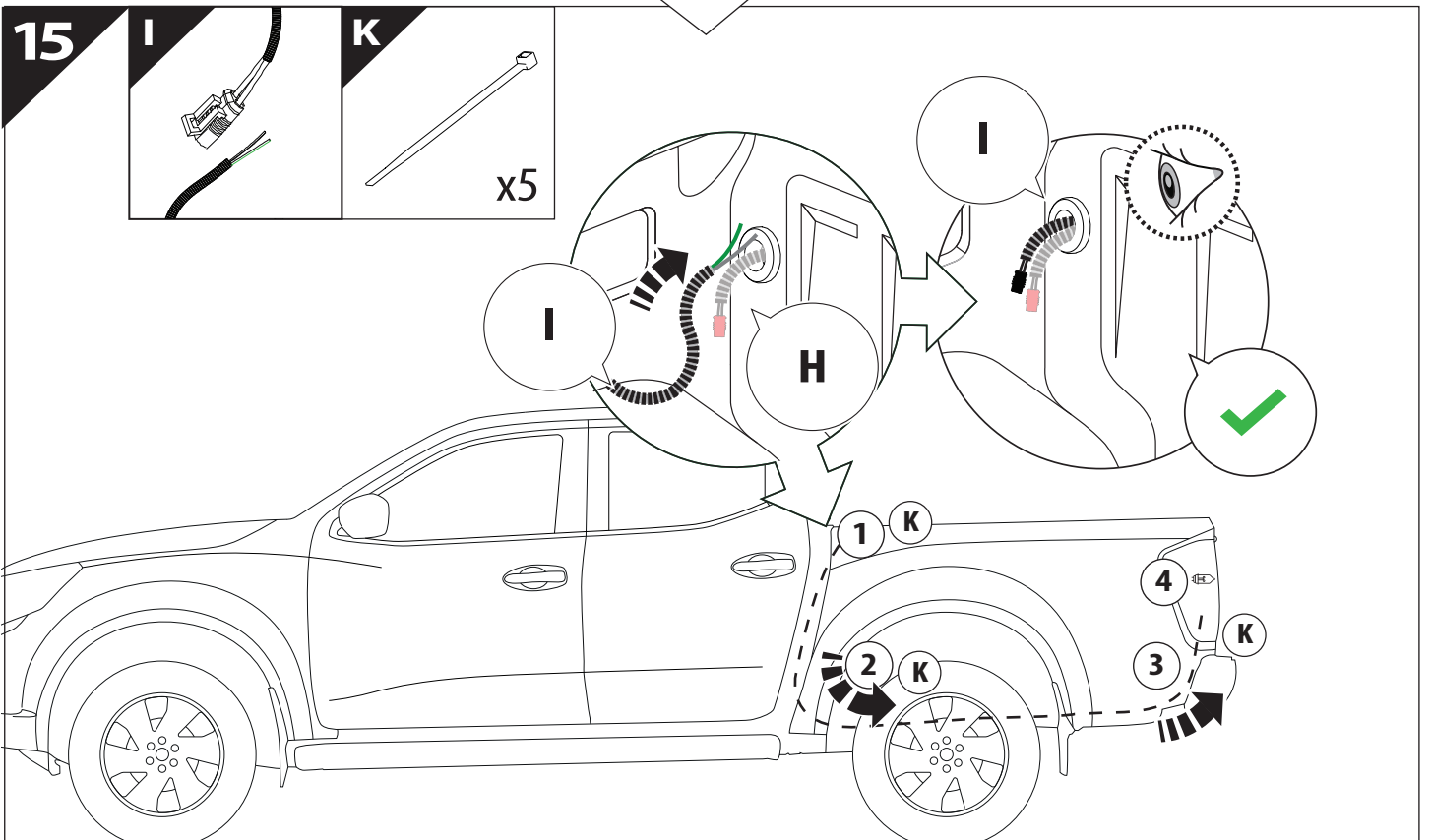
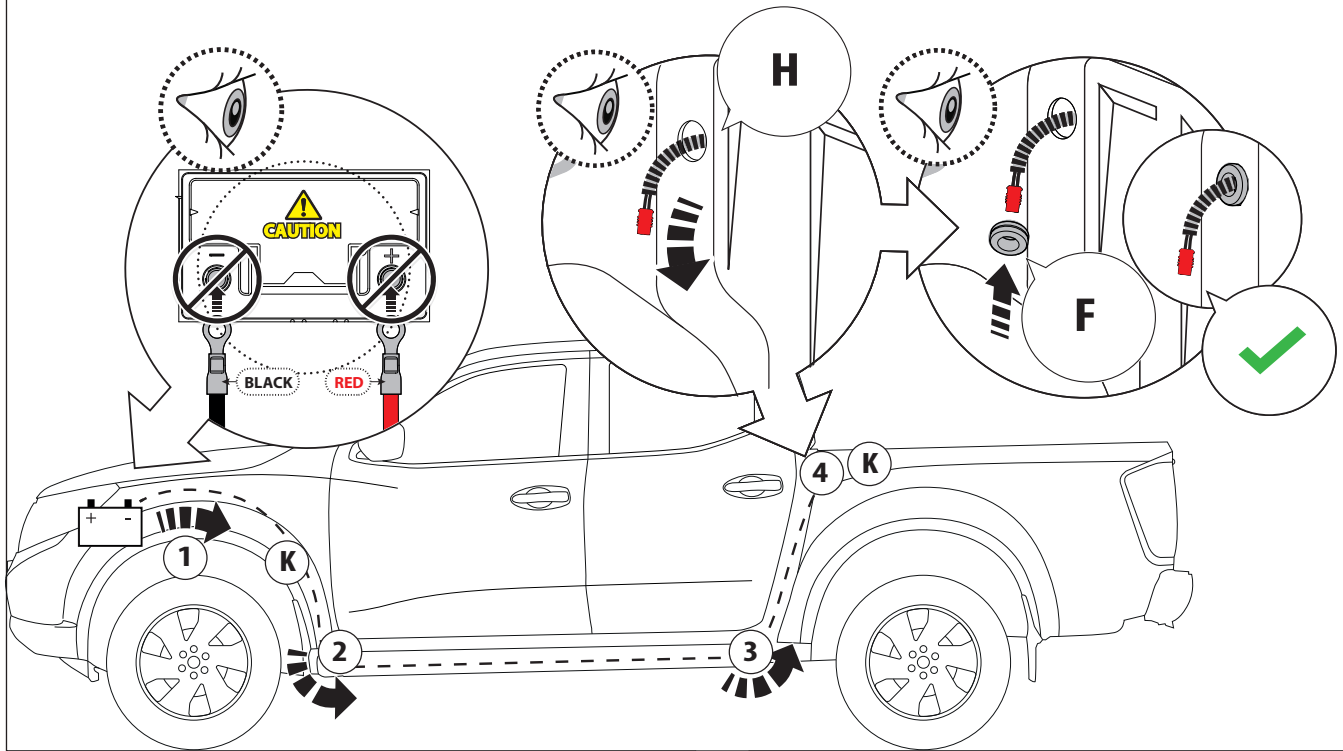
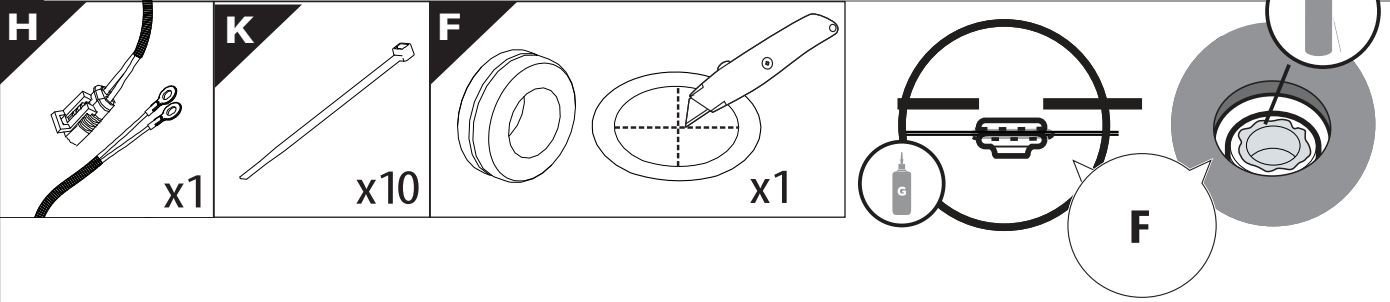


13. 3

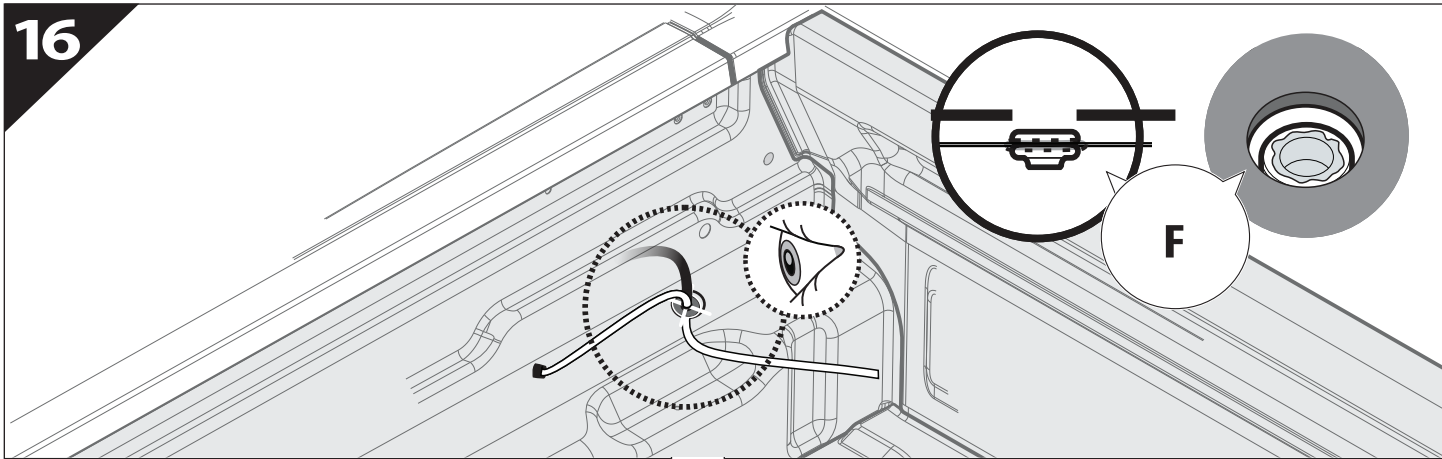


14

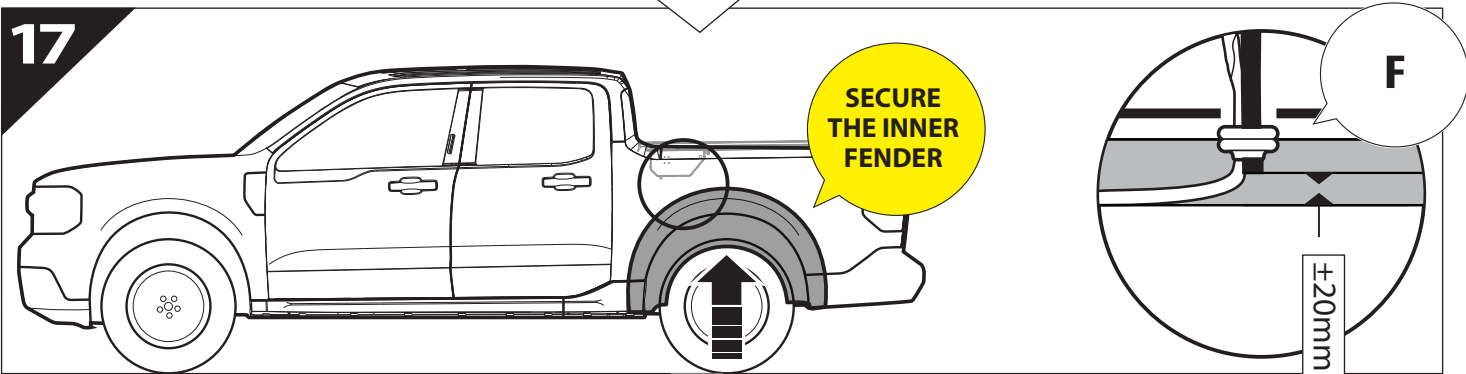
Only to be installed by authorized personnel



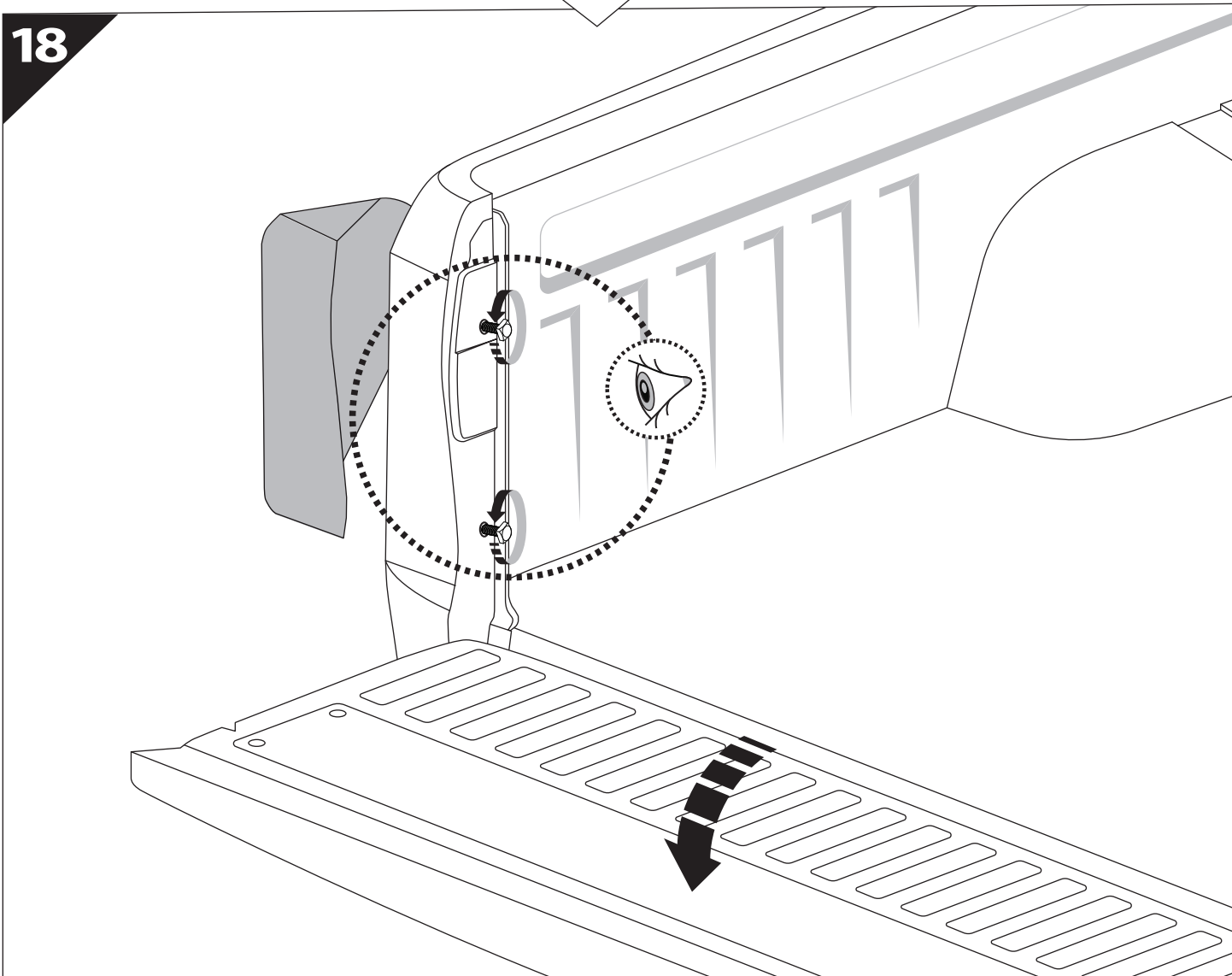
16



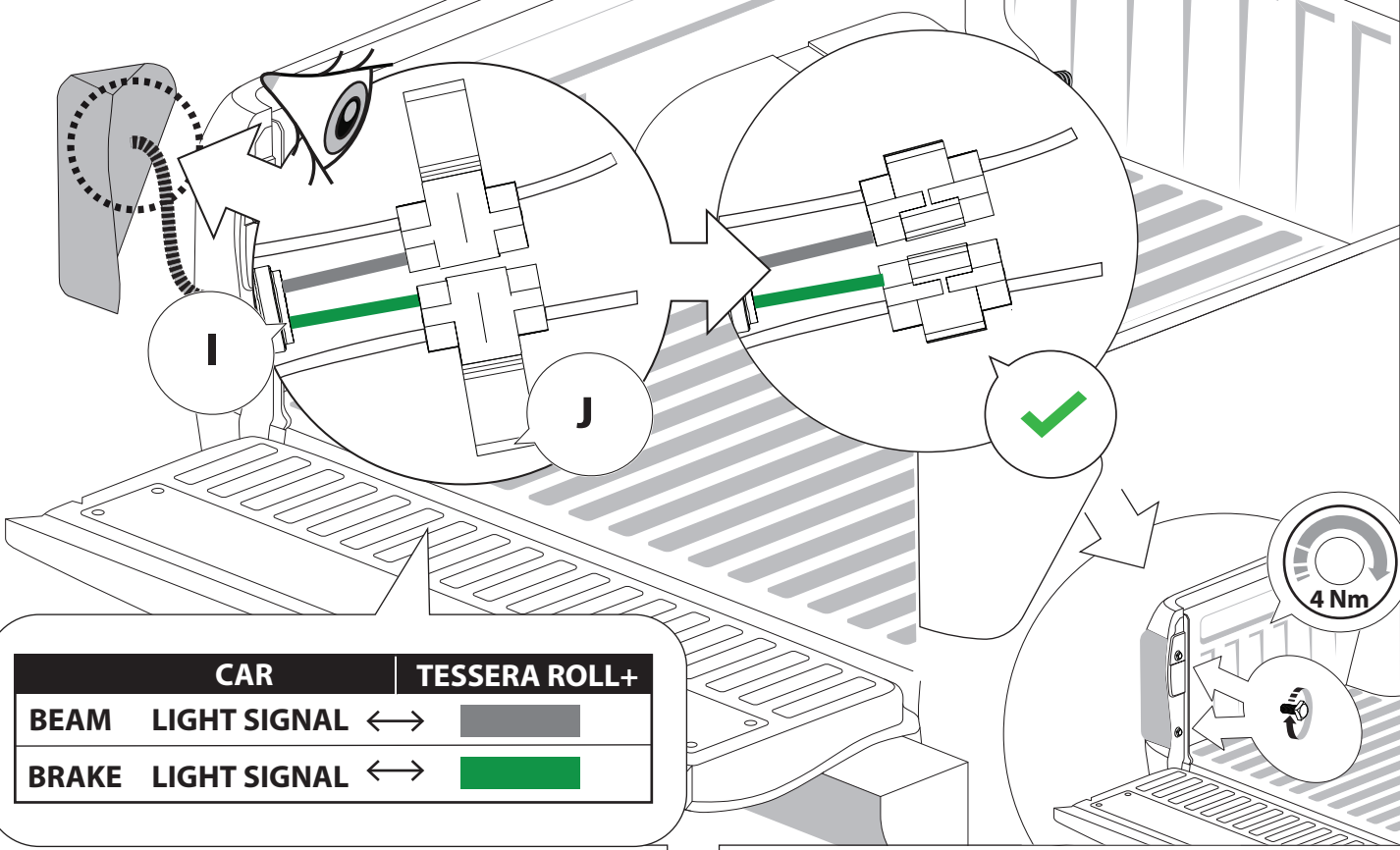
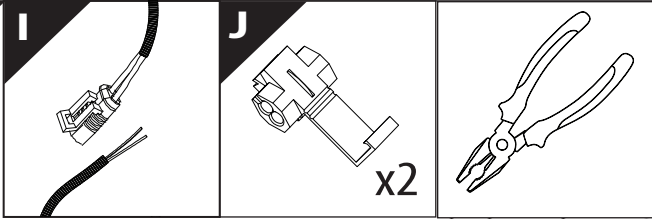
17



18

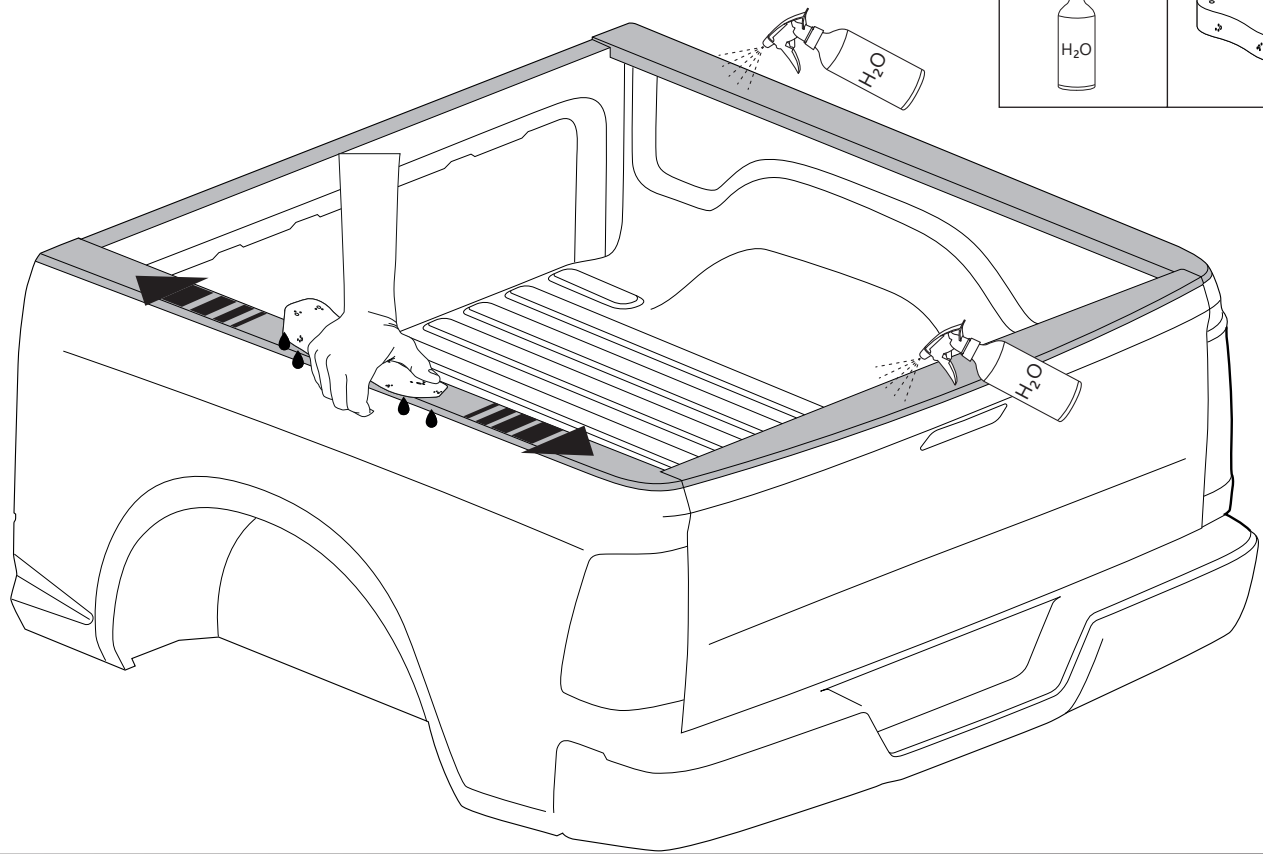
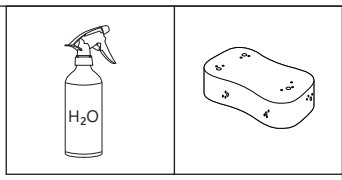


19

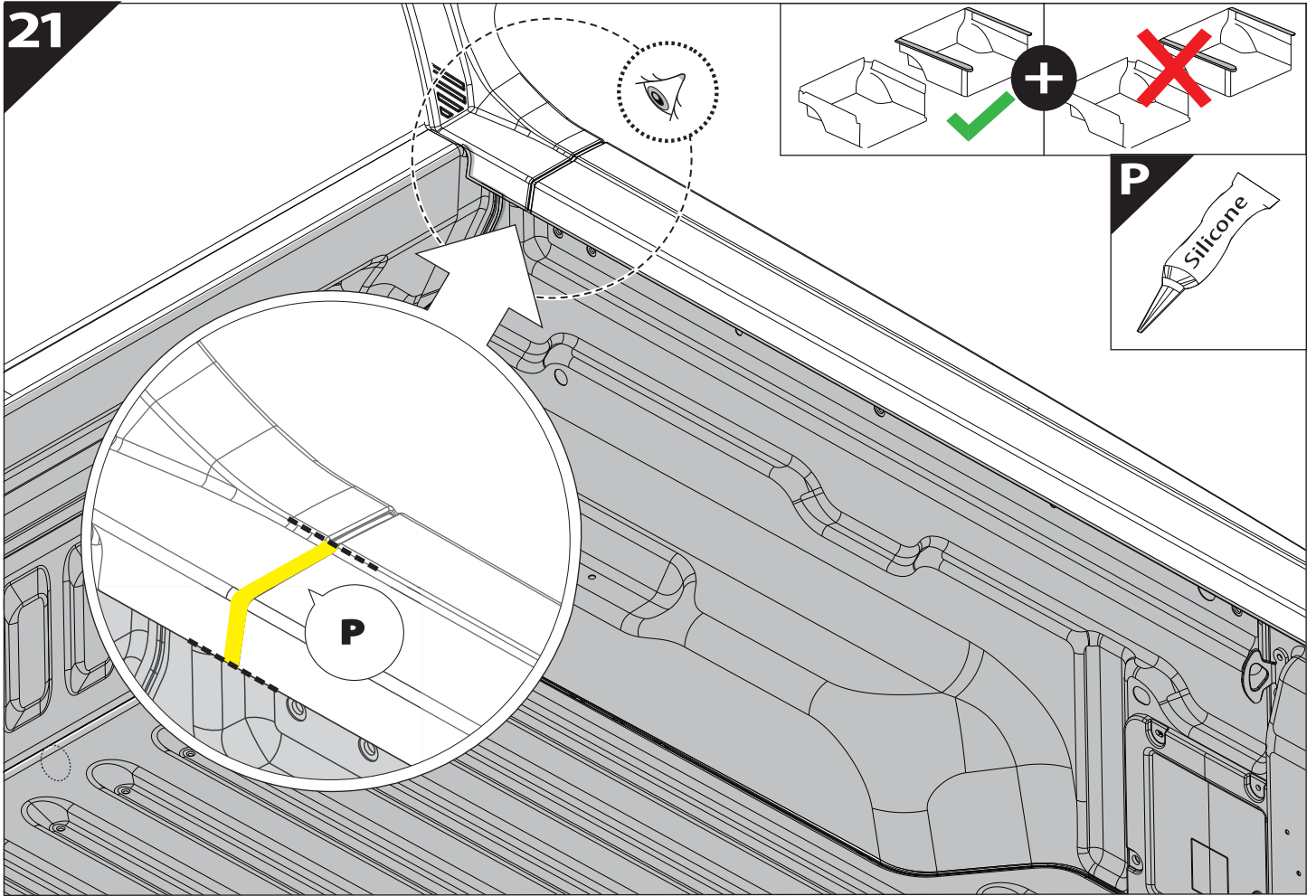


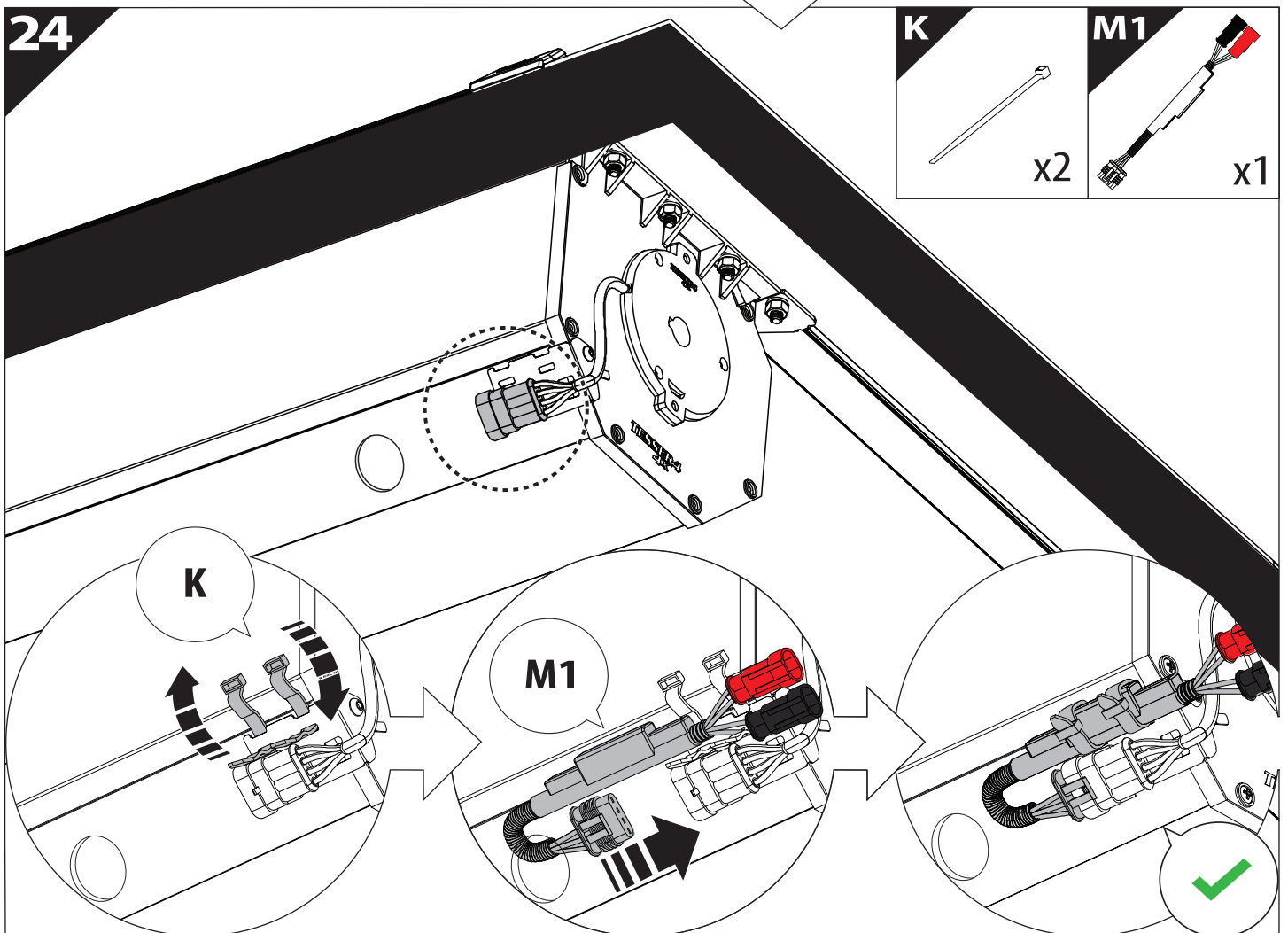
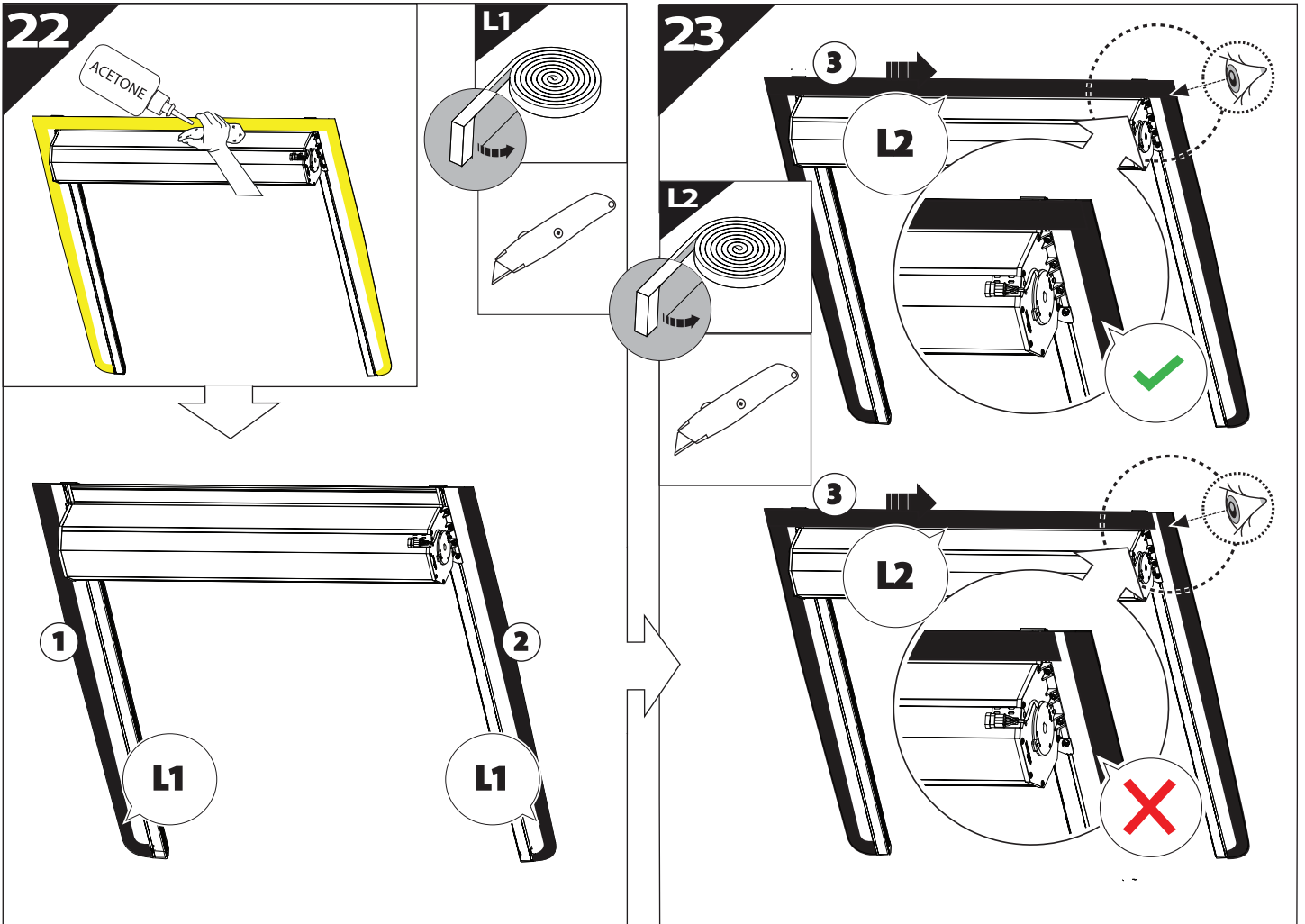
| | CAR | | TESSERA ROLL+ |
|-------|--------------|---|---------------|
| BEAM | LIGHT SIGNAL | ↔ | ■ |
| BRAKE | LIGHT SIGNAL | ↔ | ■ |

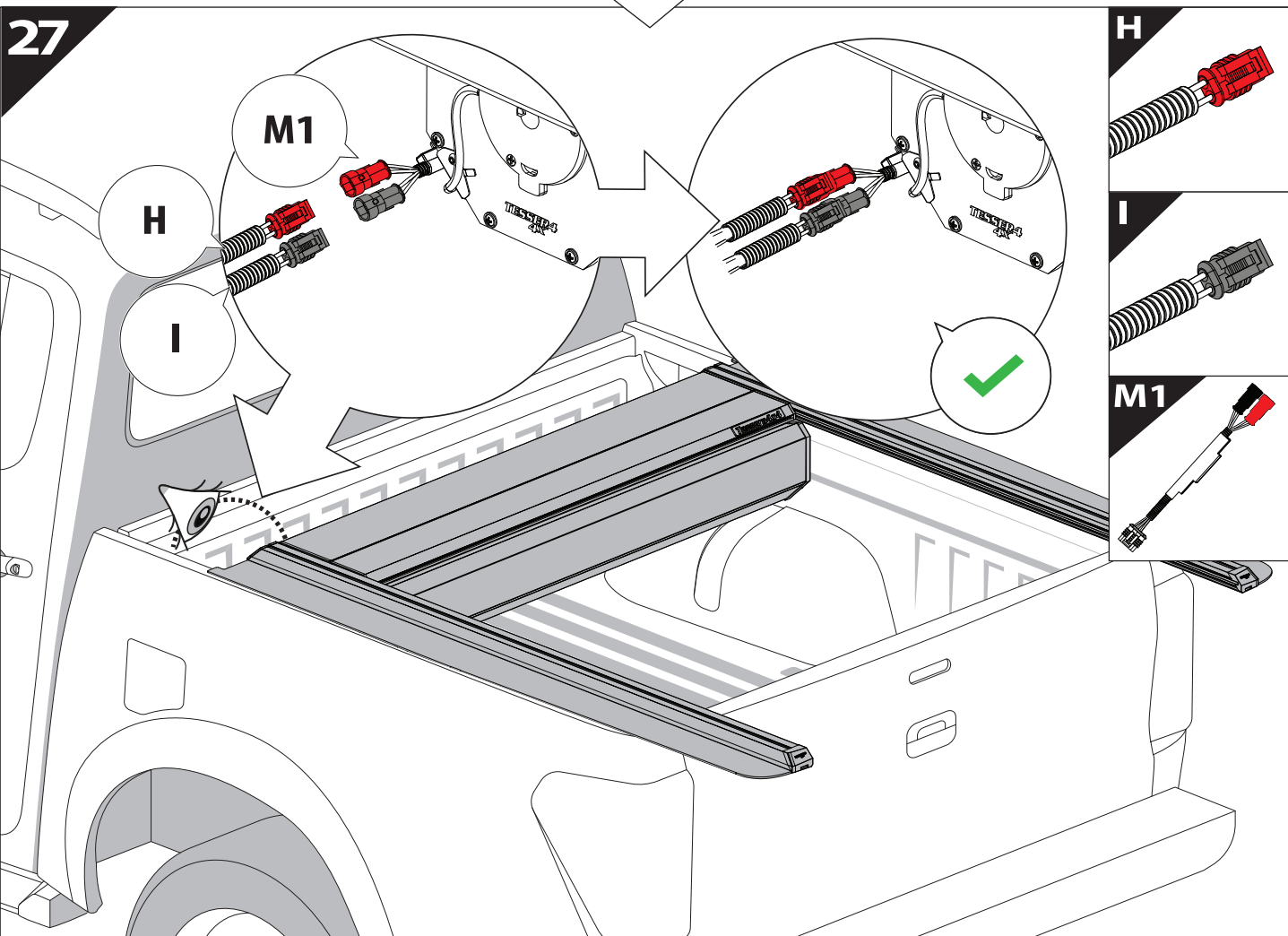
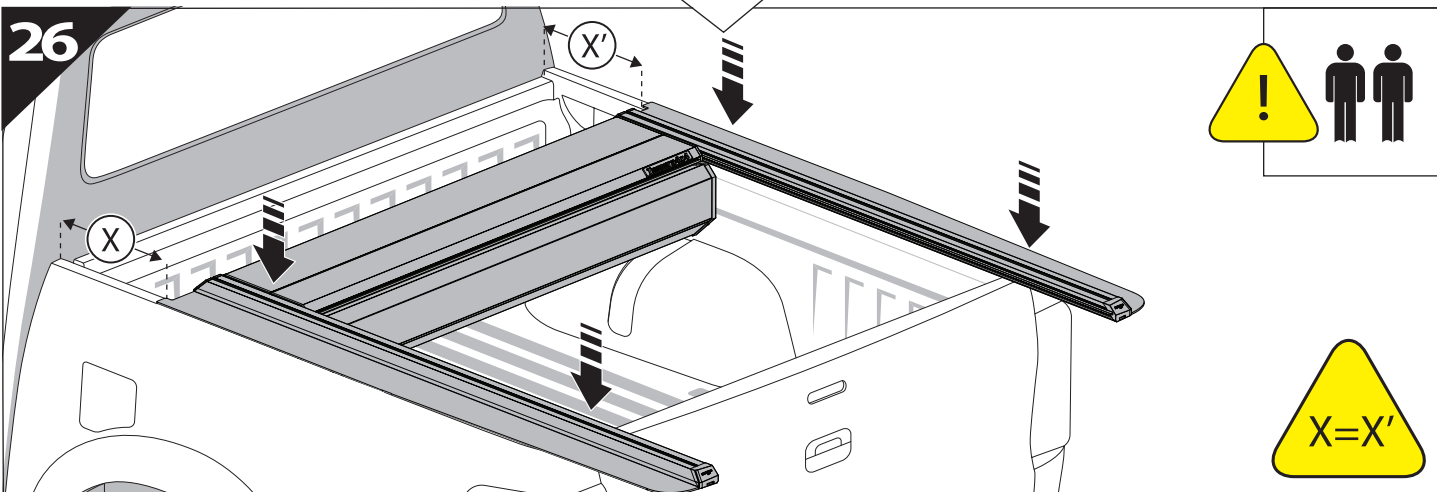
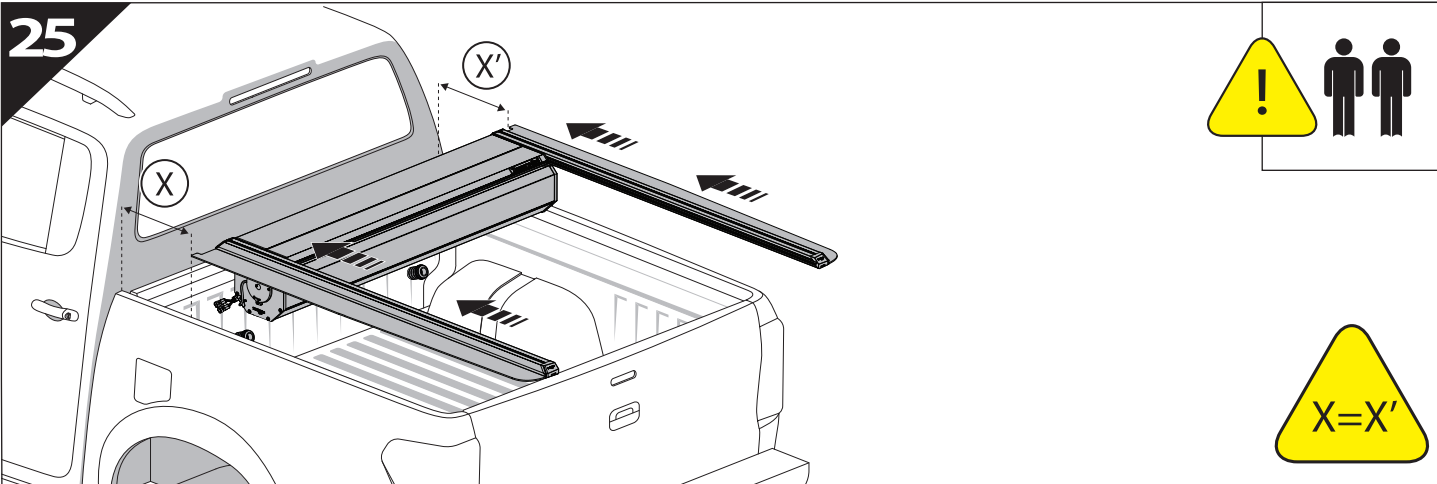
20



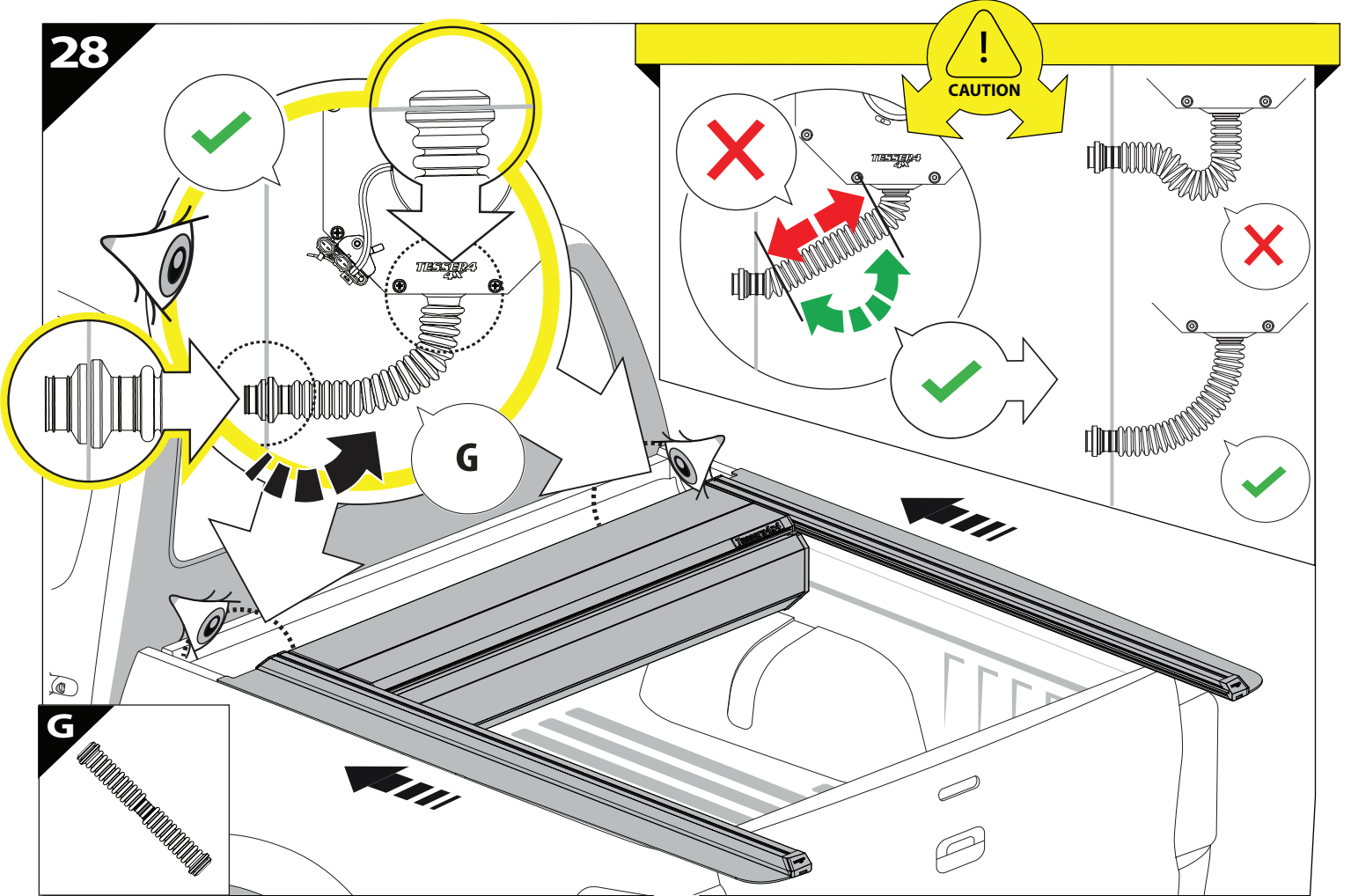
21



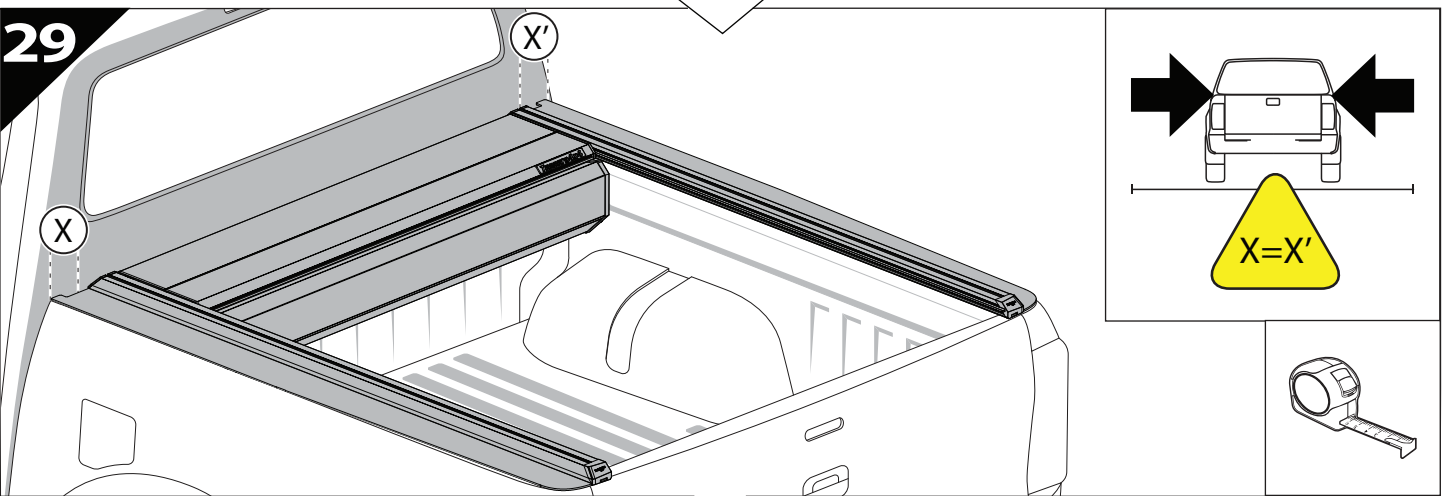




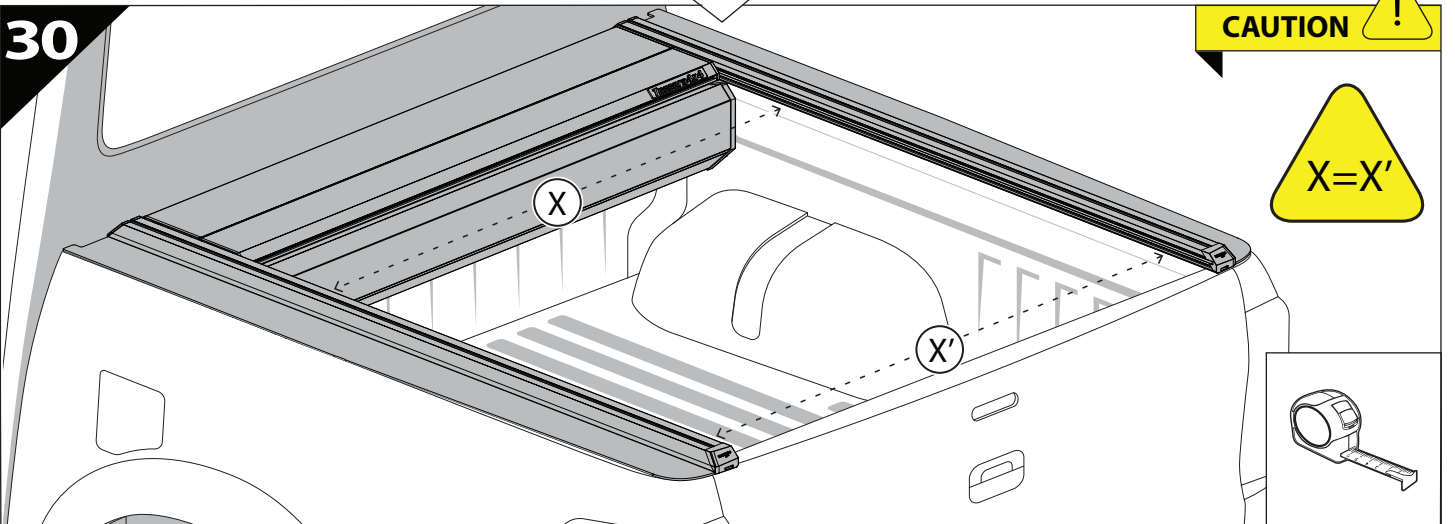
28

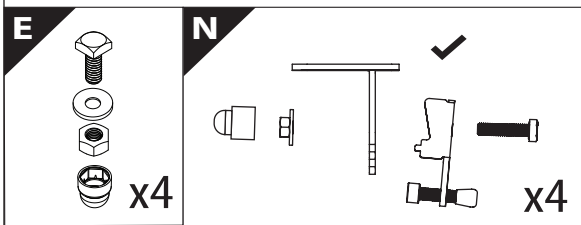
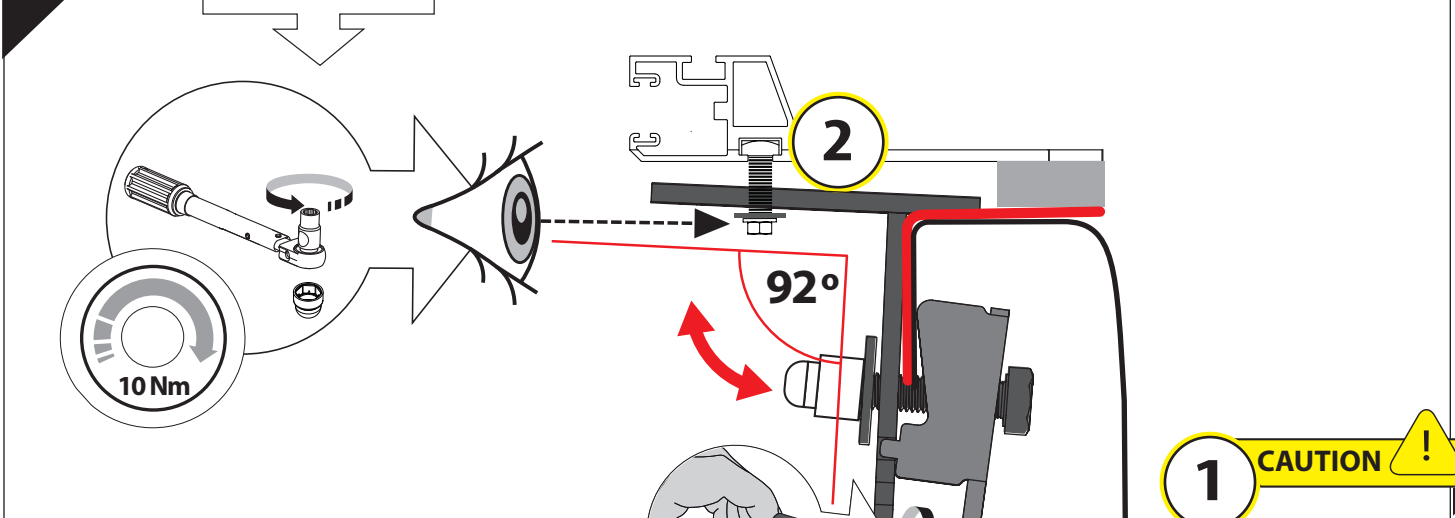
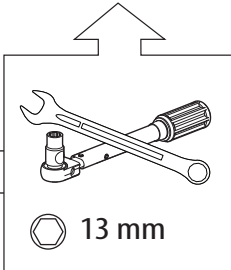
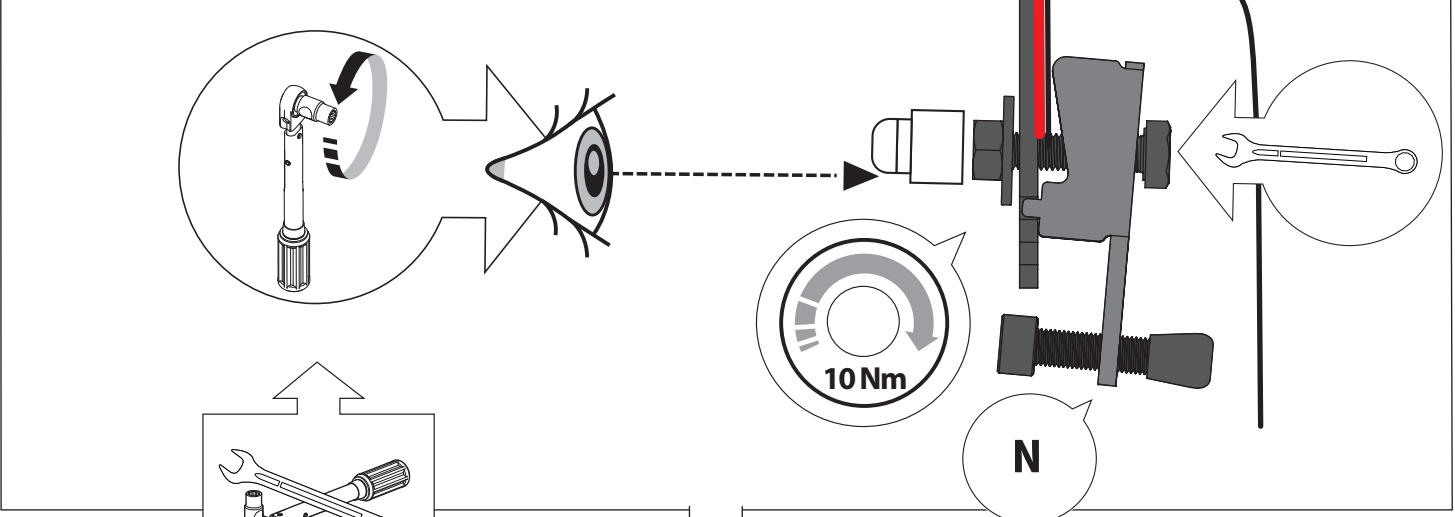
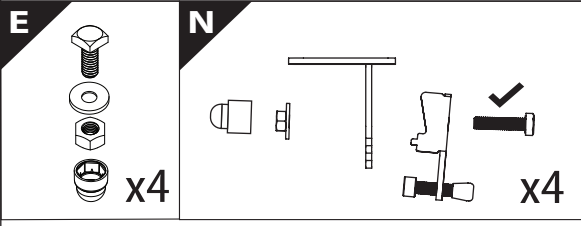
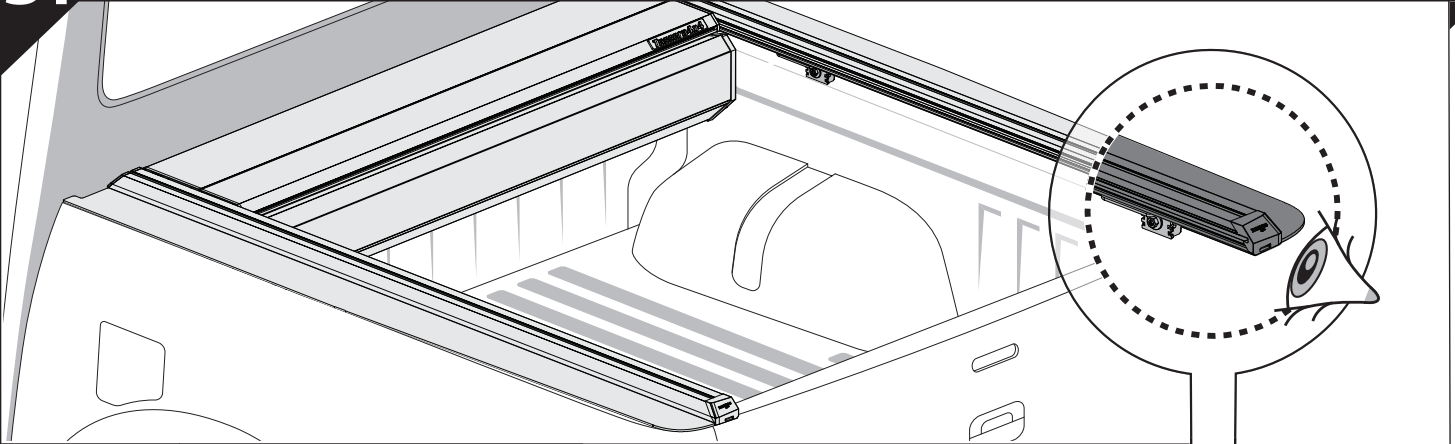


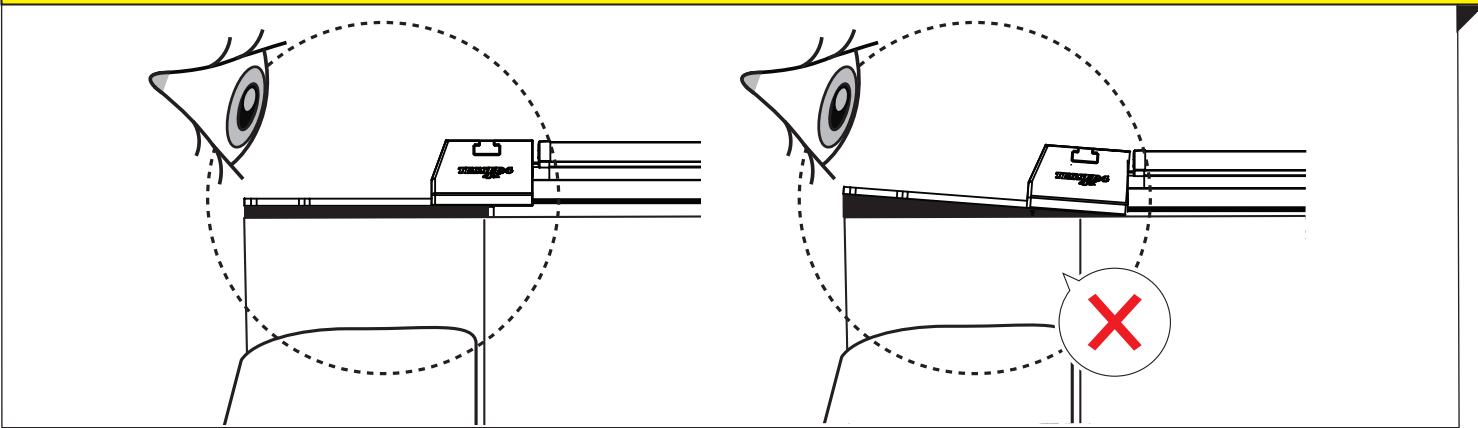
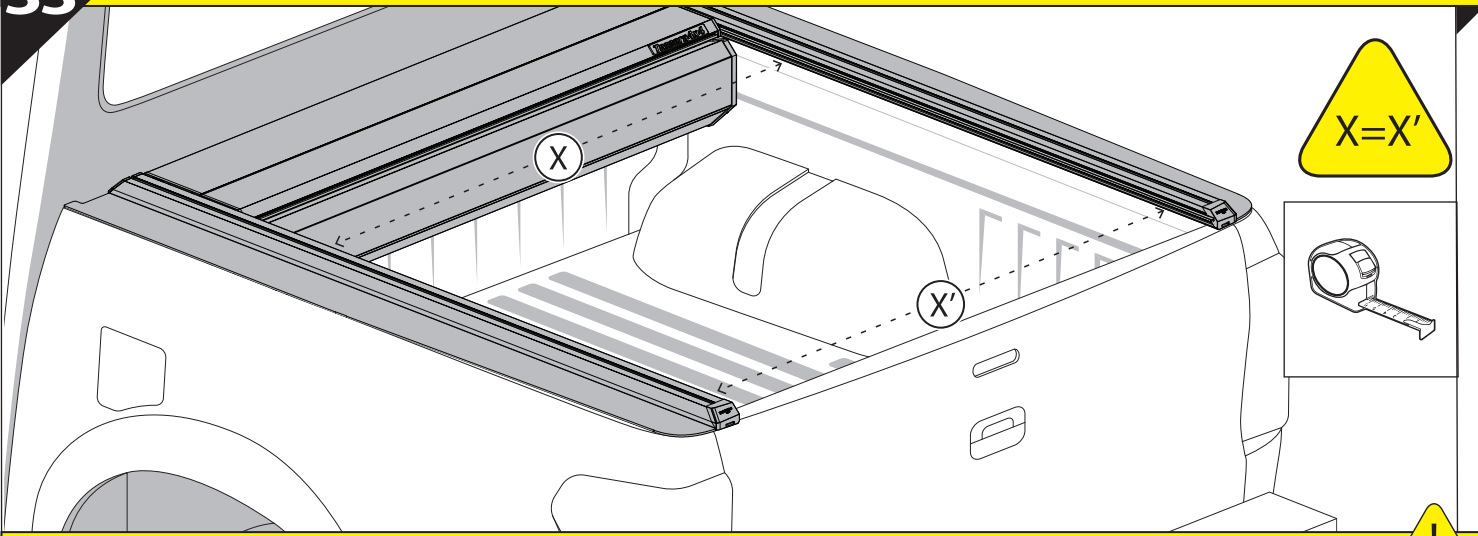
29



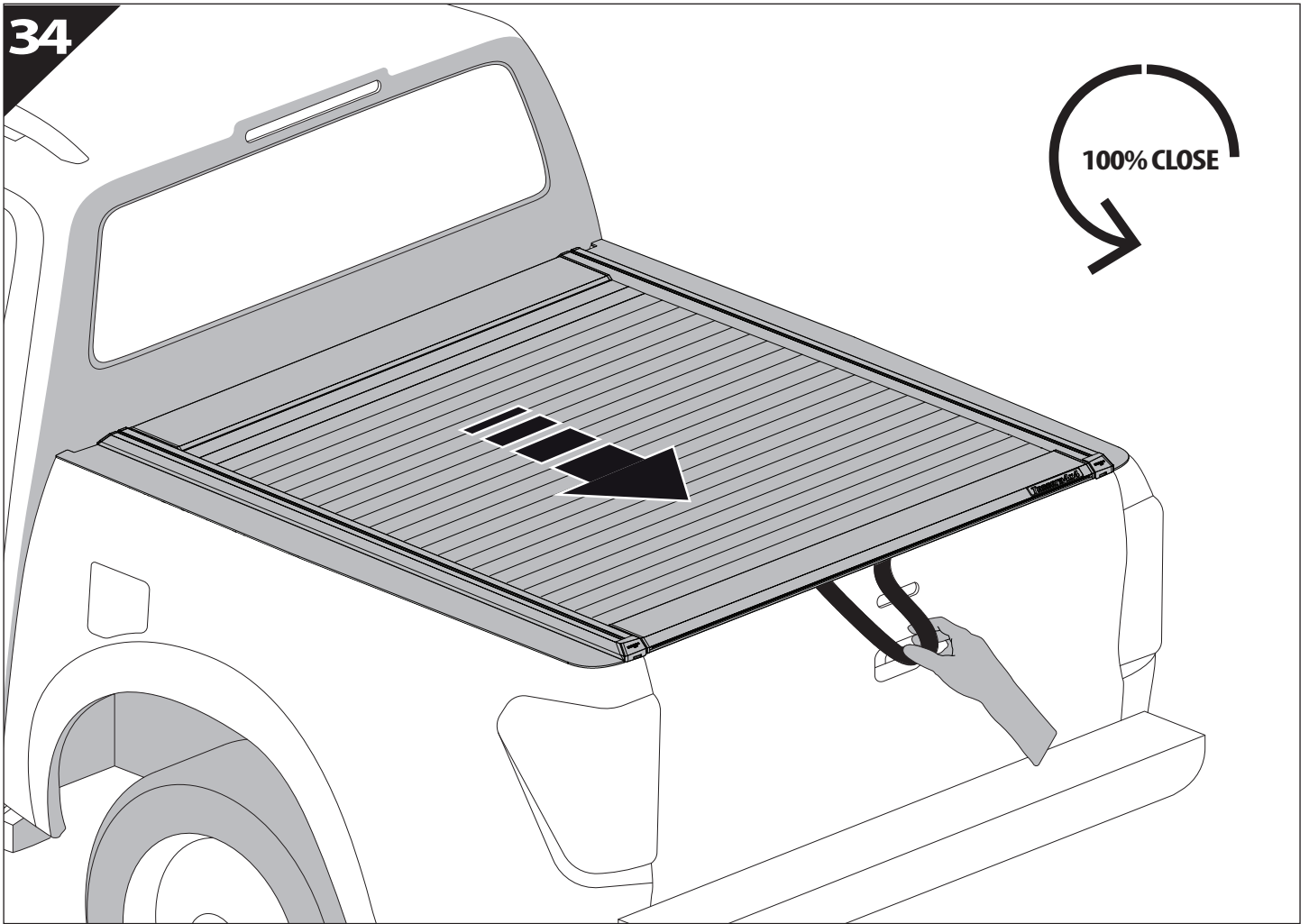
30



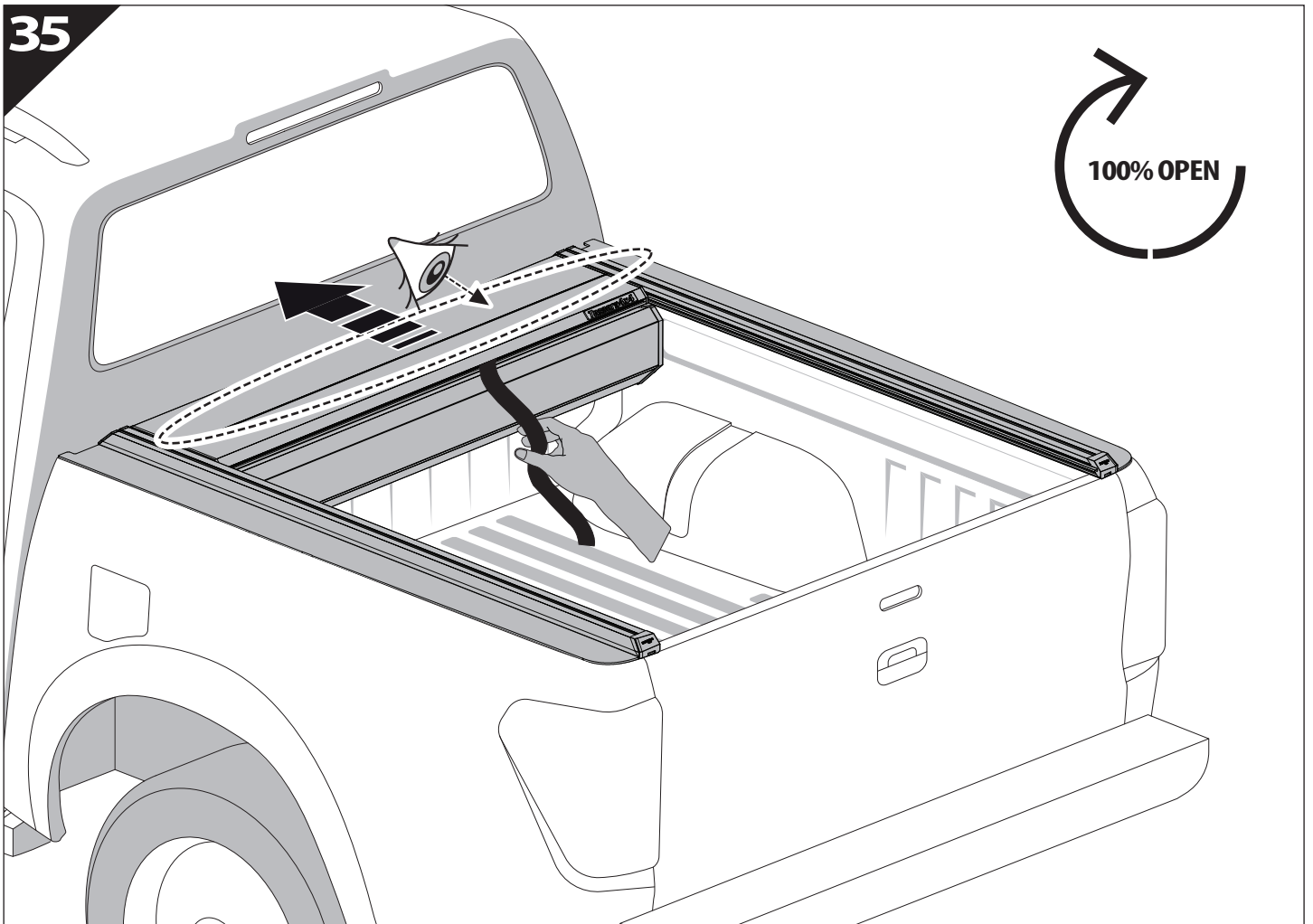




34



35





GR: Οδηγίες Εγκατάστασης
GB: Installation manual
SF: Asennusohje
F: Notice de montage
PL: Instrukcja montażu
NL: Installatie-instructies
TR: Montaj Talimatı
S: Monteringsanvisning
E: Instrucciones de montaje

H: Szerelési utasítás
P: Instruções de instalação
RUS: Инструкция по установке
N: Monteringsveiledning
D: Einbauanleitung
CZ: Návod k instalaci
I: Istruzioni de montaggio
DK: Monteringsvejledning
RO: Instructiuni de instalare

Customer Service:

+30 (210) 5541161, +30 (210) 5541154 (08:00 - 16:00 EET)

Support department:

info@gianso.gr

Website:

www.tessera4x4.com

Address:

19.5 km of National road Athens-Korinthos (Elefsina) Greece, P.C: 19200