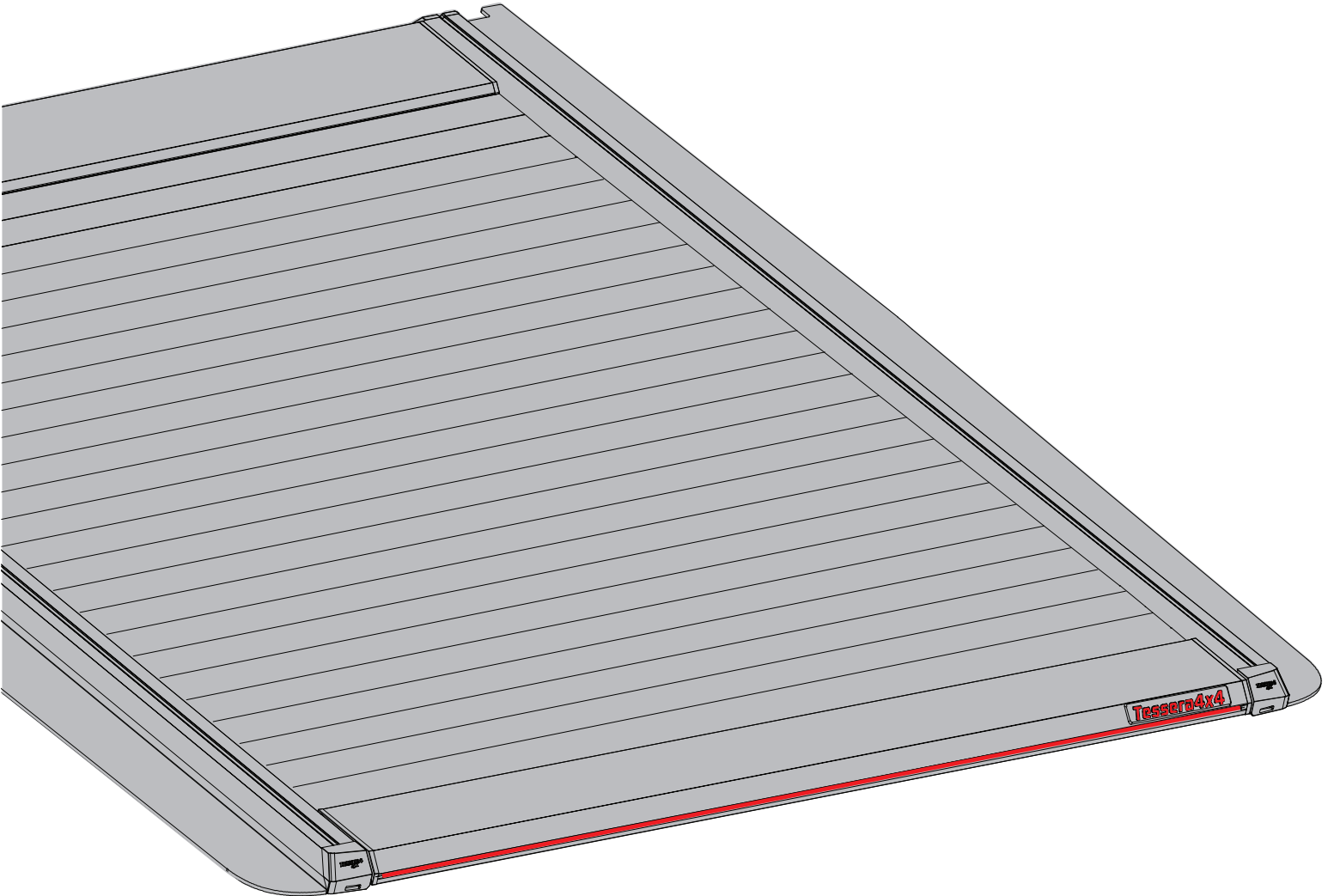


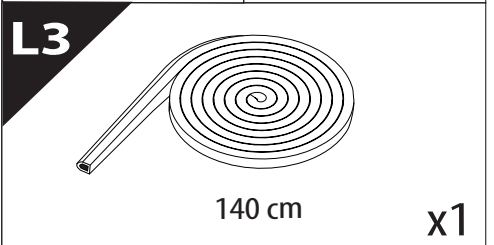
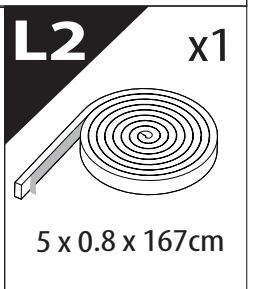
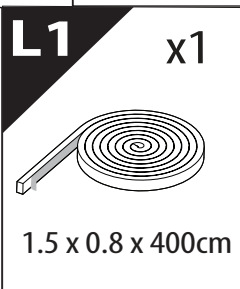
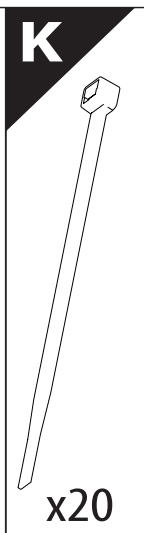
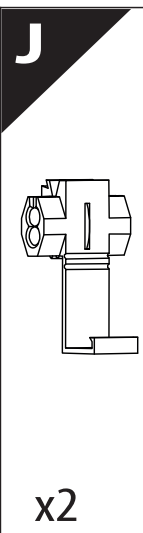
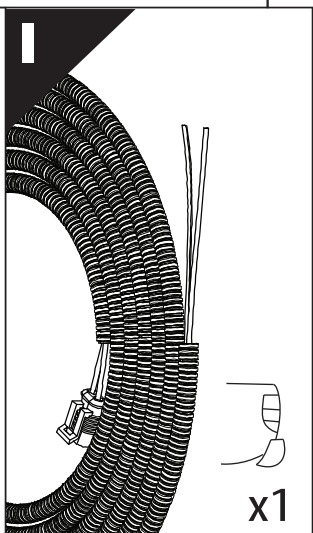
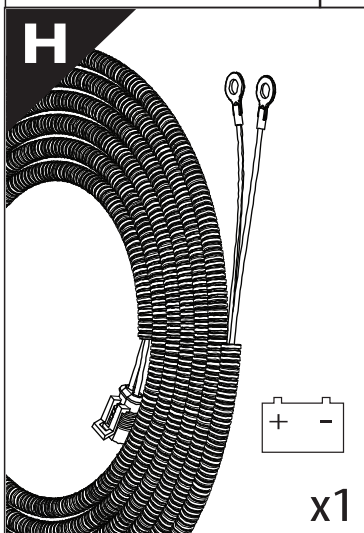
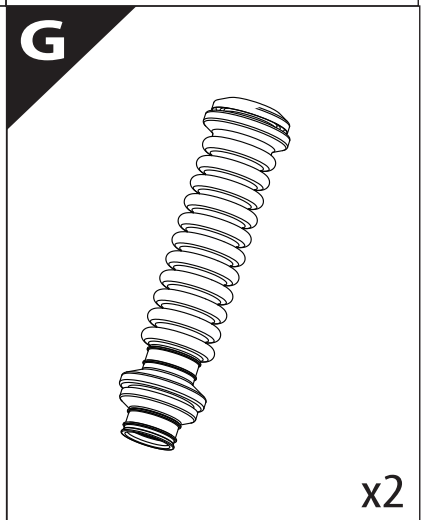
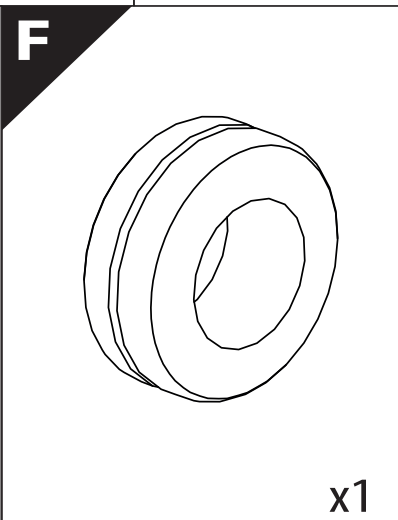
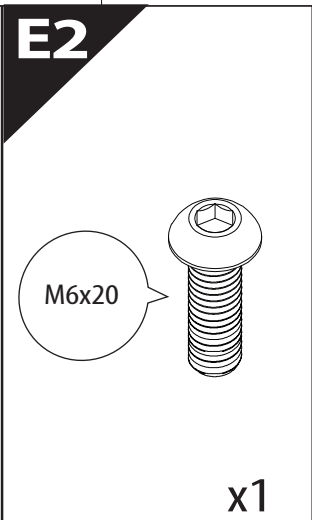
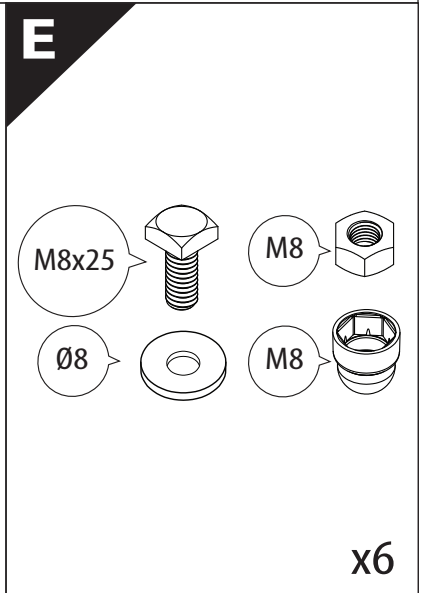
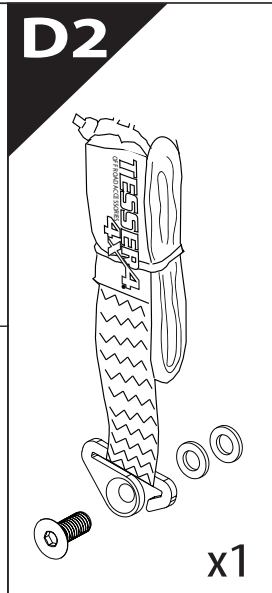
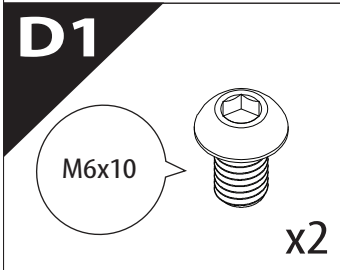
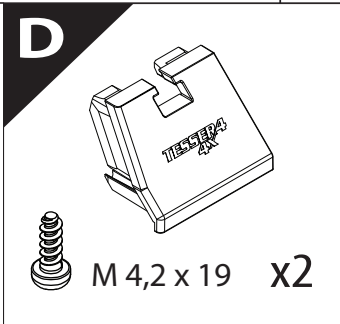
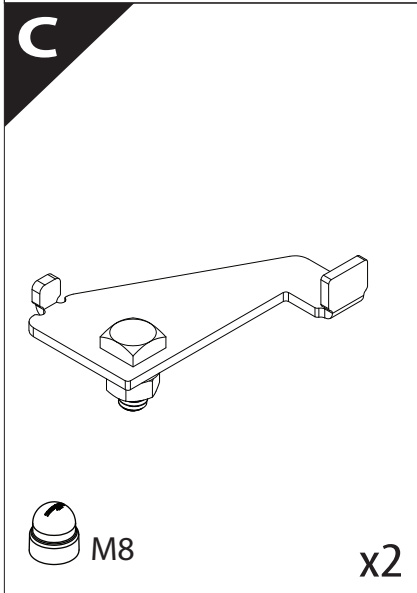
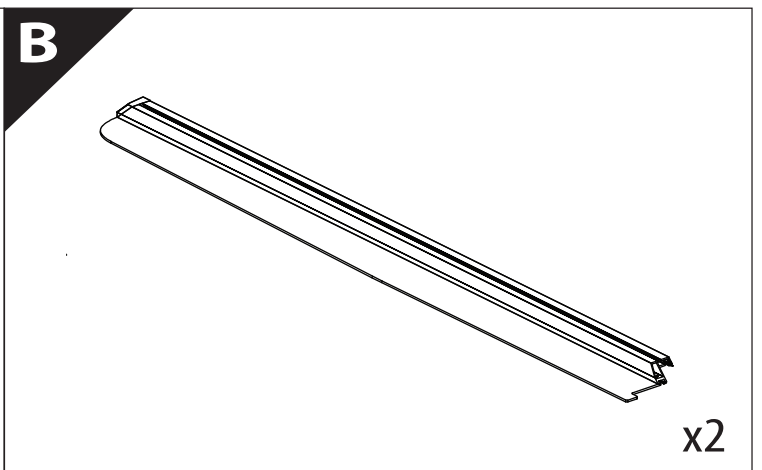
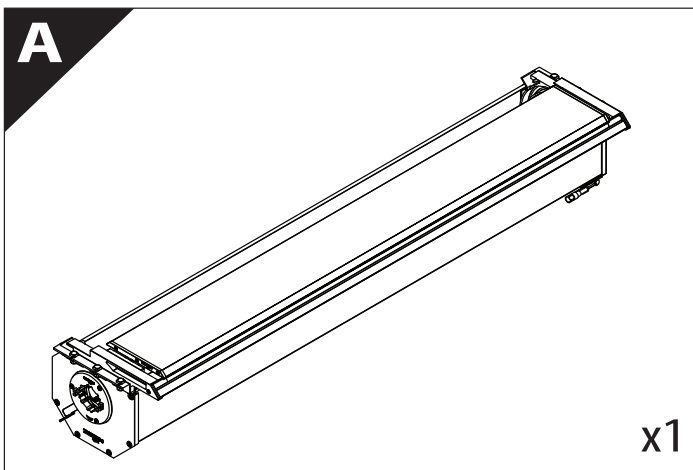
Tessera Roll+

Basic Version + ⚡ E-KIT

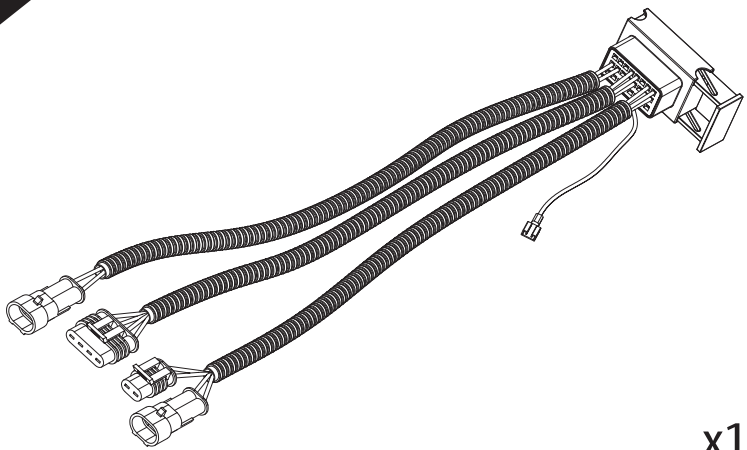


Installation Manual

| PART NUMBER(S) | Model Year |
|----------------------|---------------------------------------|
| TESS 1434 ROLL+E-KIT | Chevrolet Colorado / GMC Canyon 2023+ |
| Cab(s) | Installation Time / Weight |
| Double Cab | 40-60 minutes / 53-57 kg |

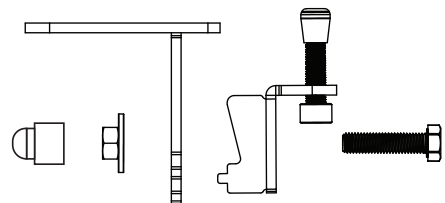


M2



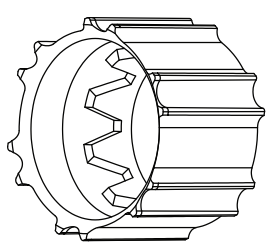
x1

N



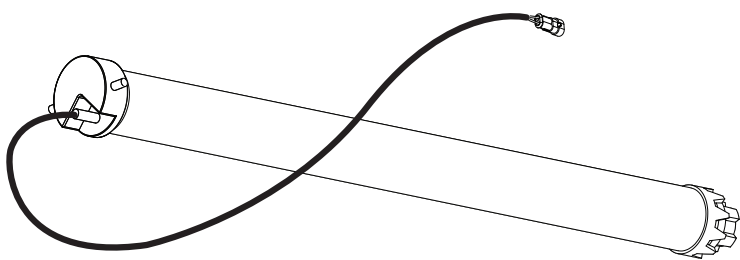
x6

O



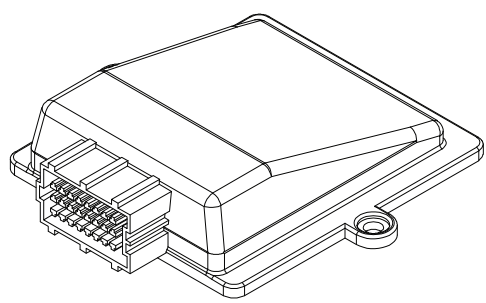
x1

P



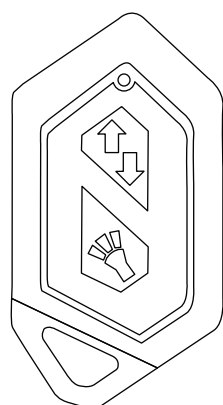
x1

Q



x1

R

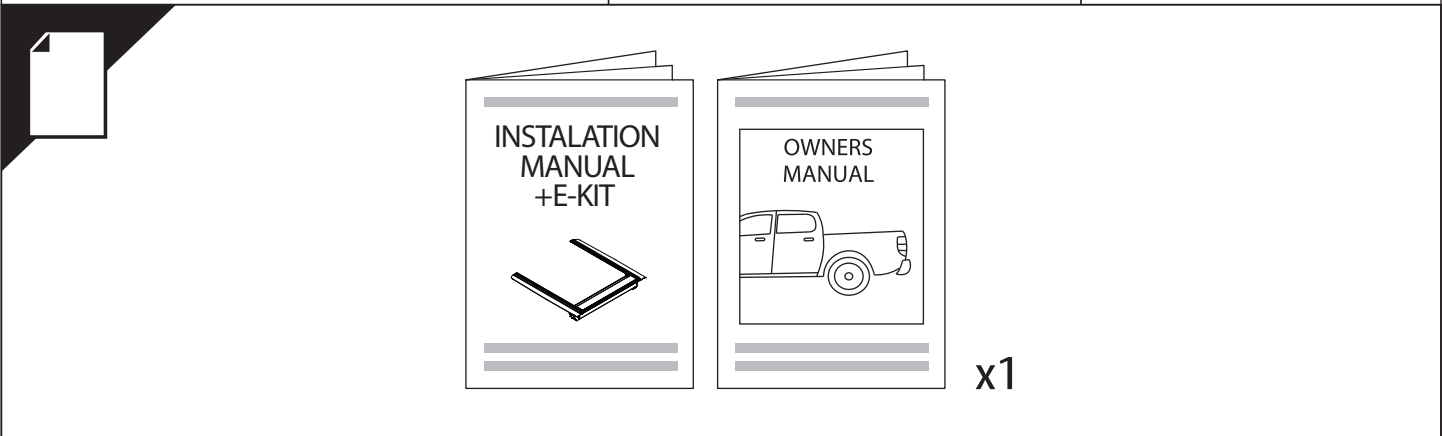
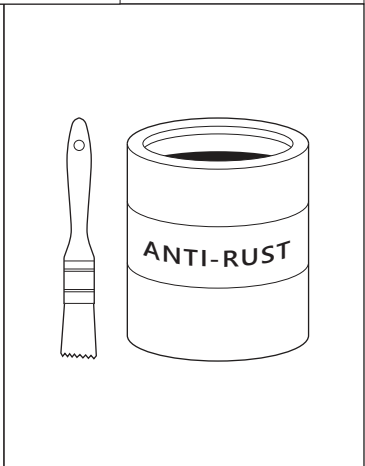
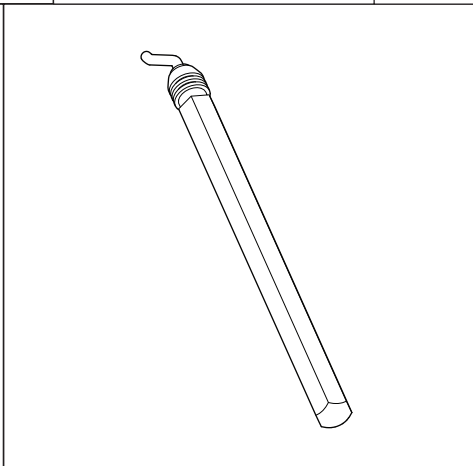
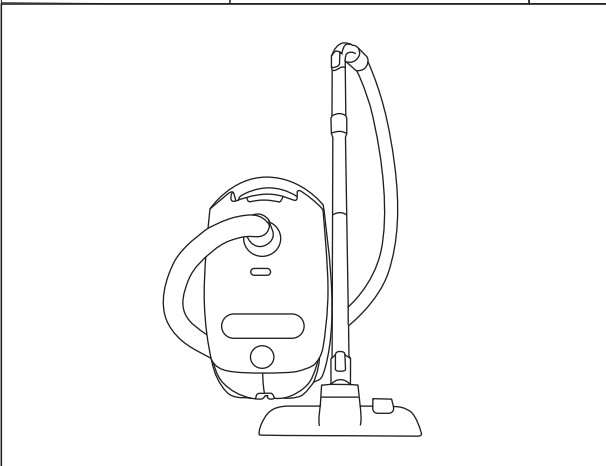
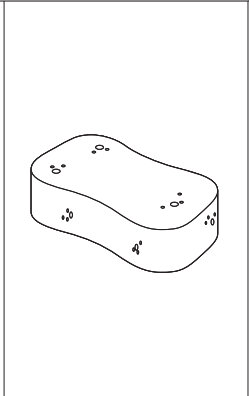
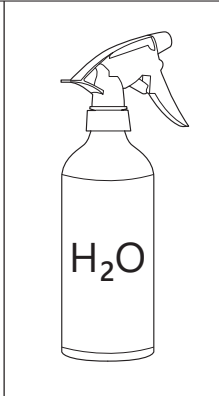
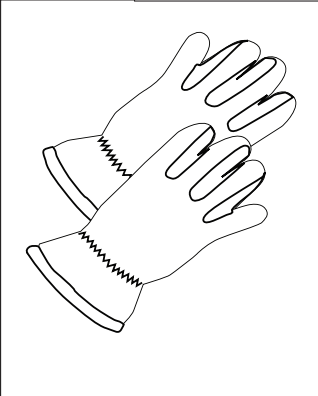
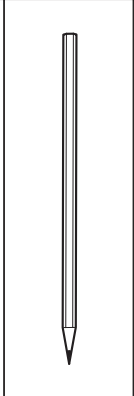
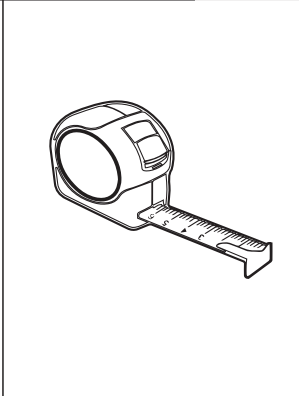
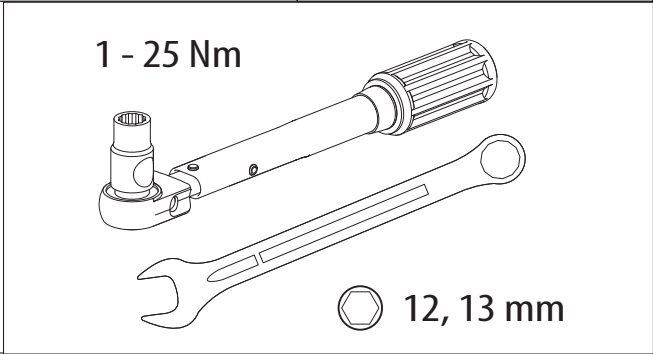
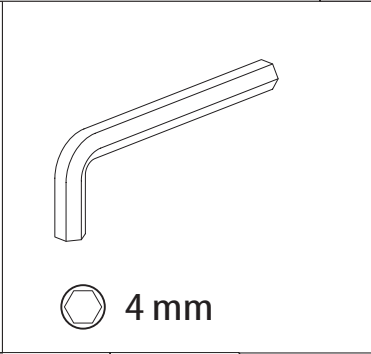
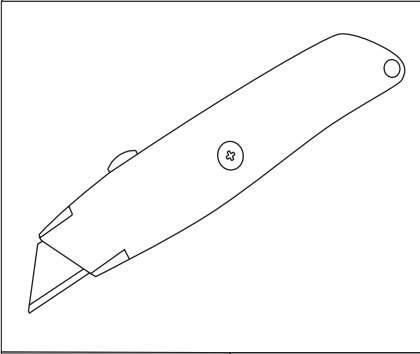
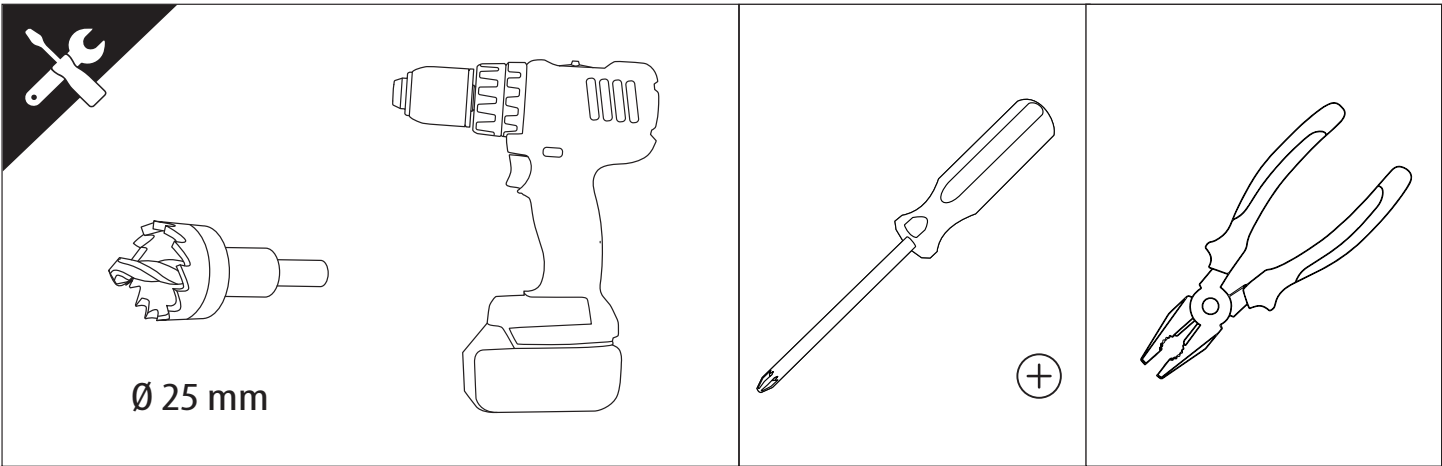


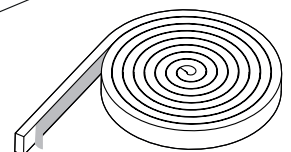
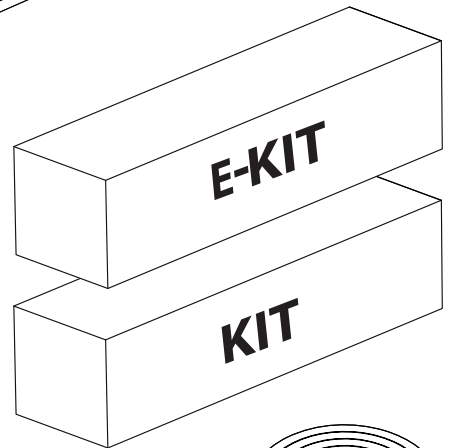
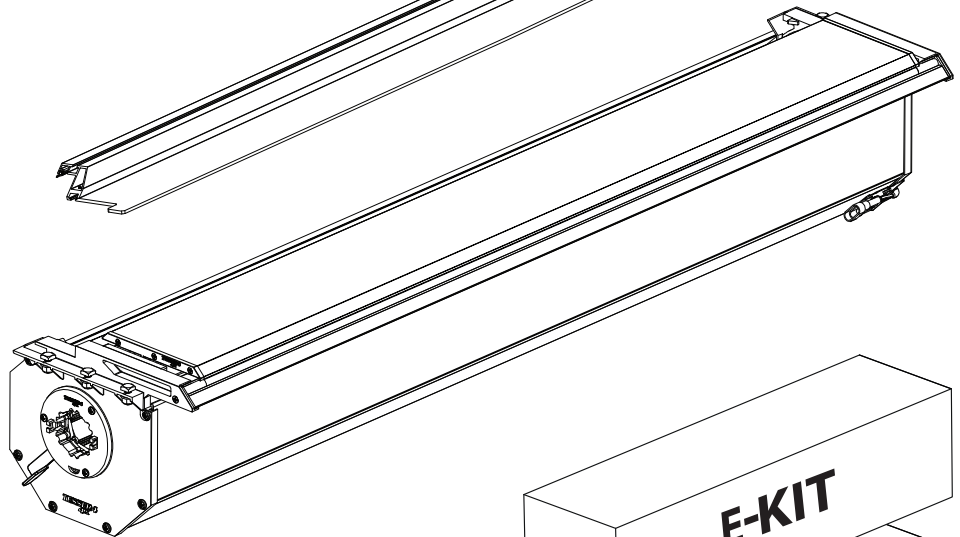
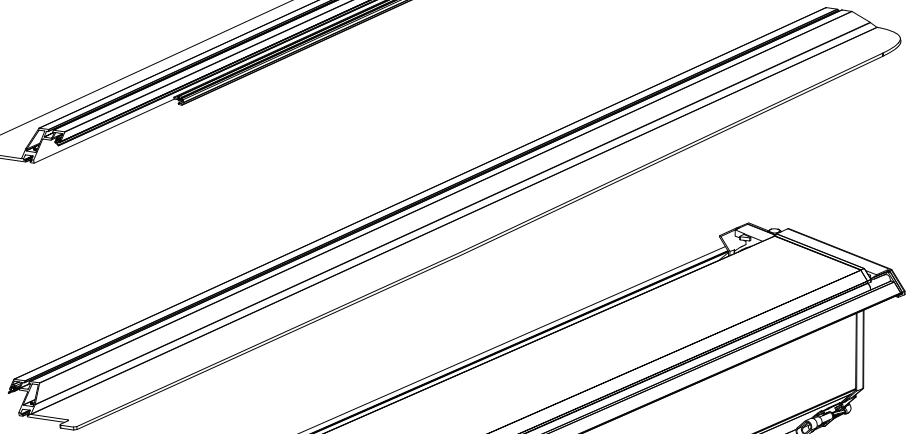
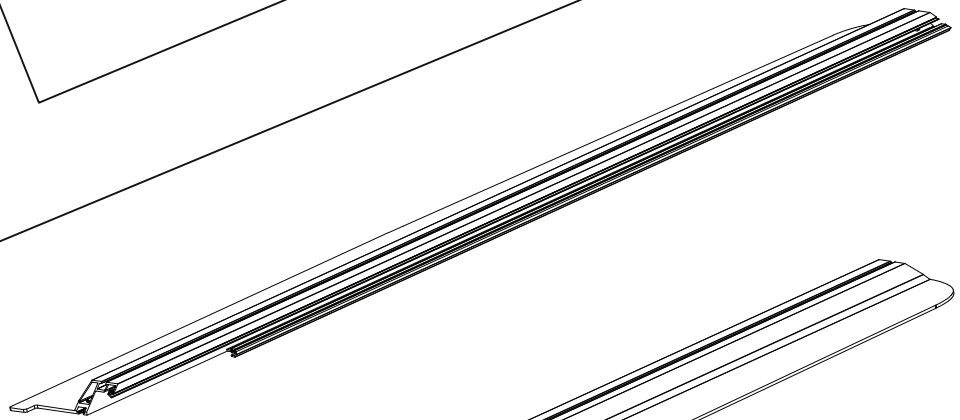
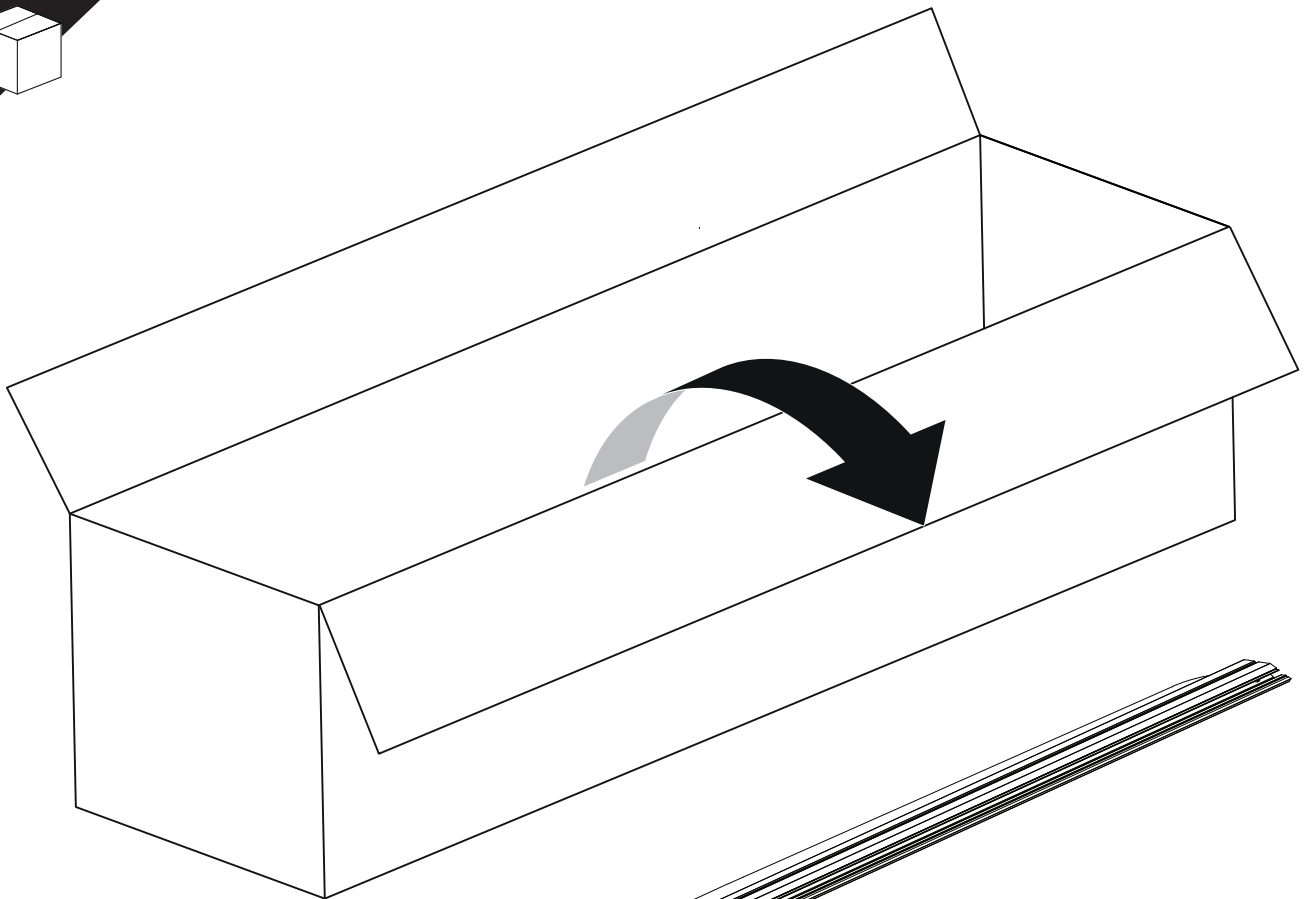
x2

S



x2



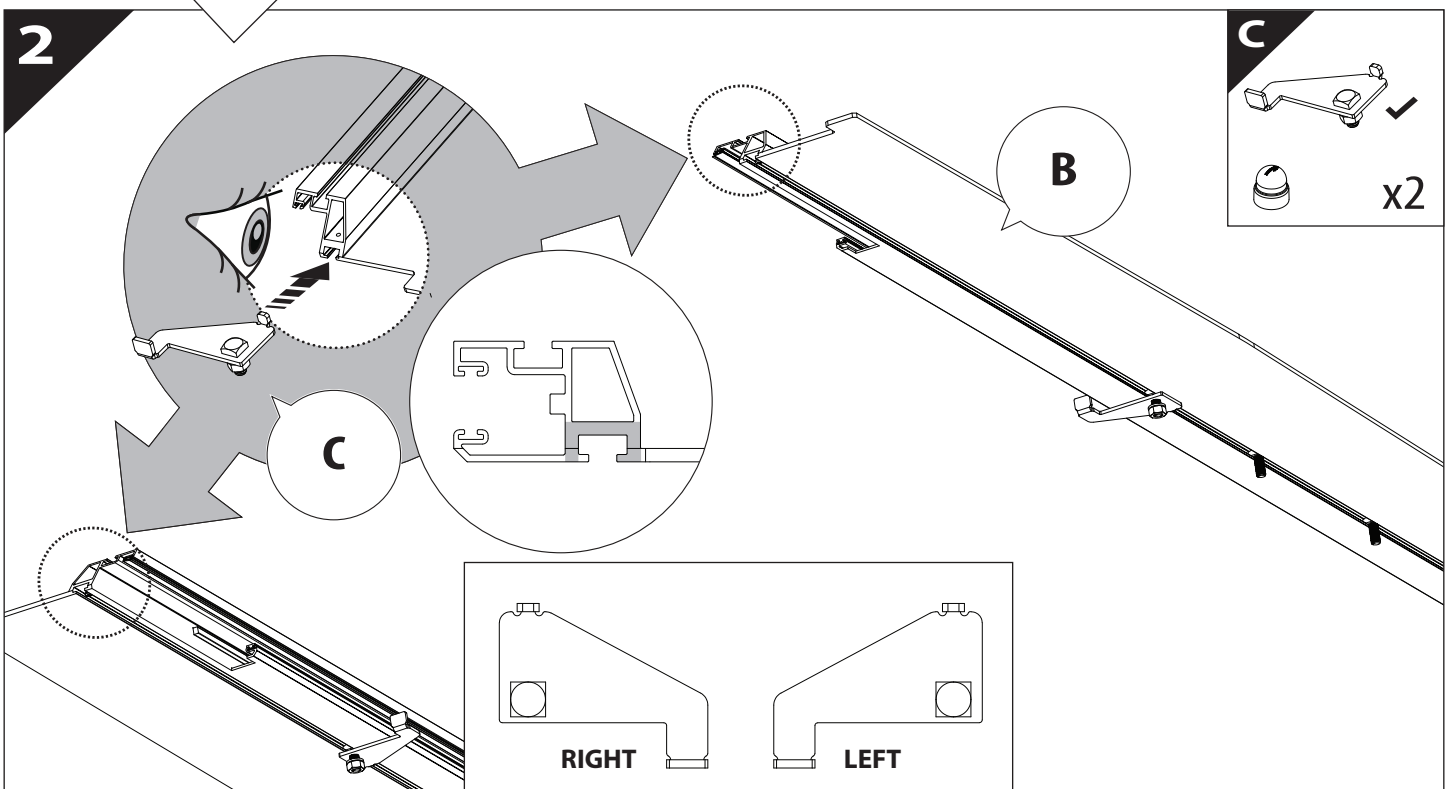
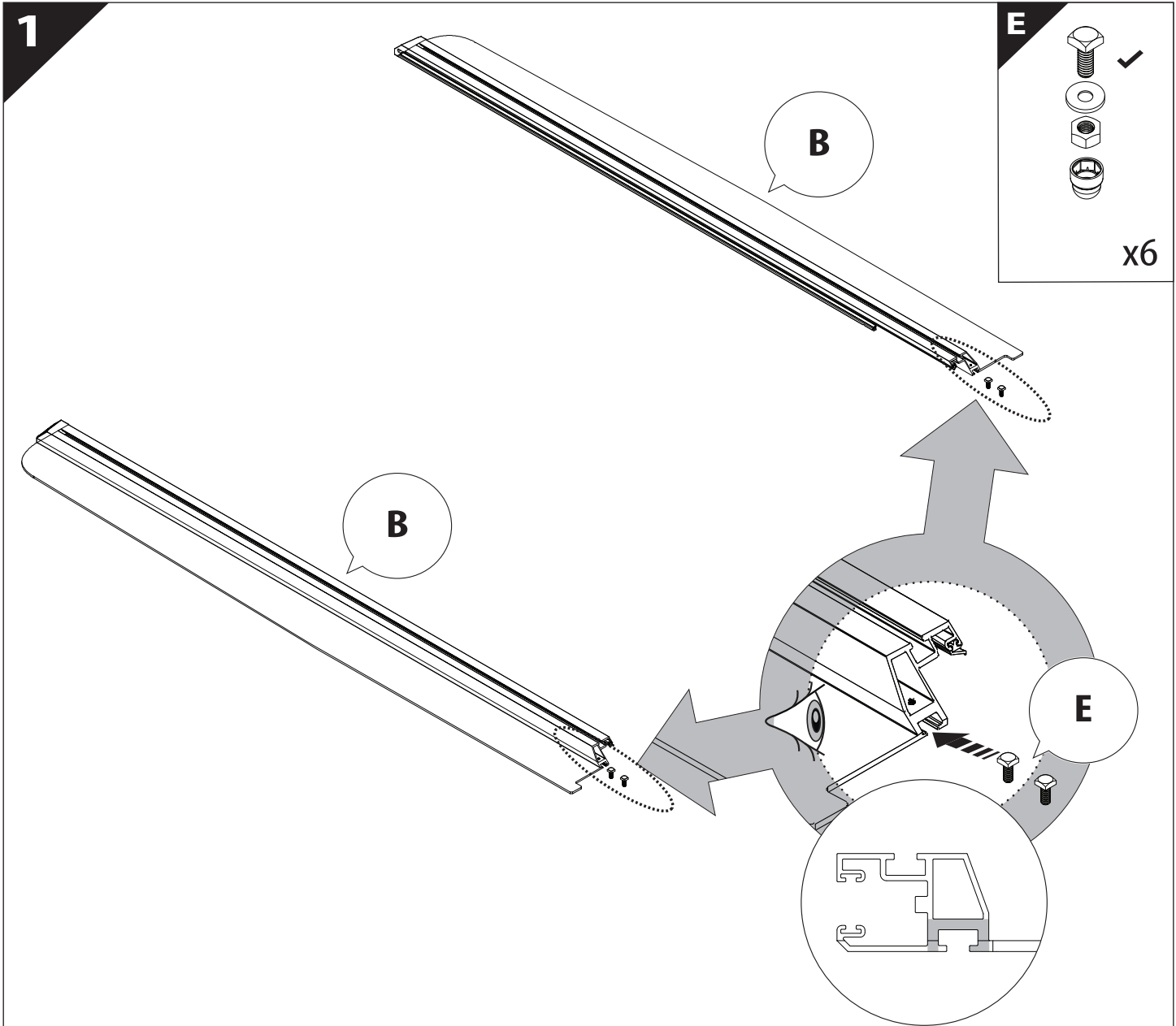


B

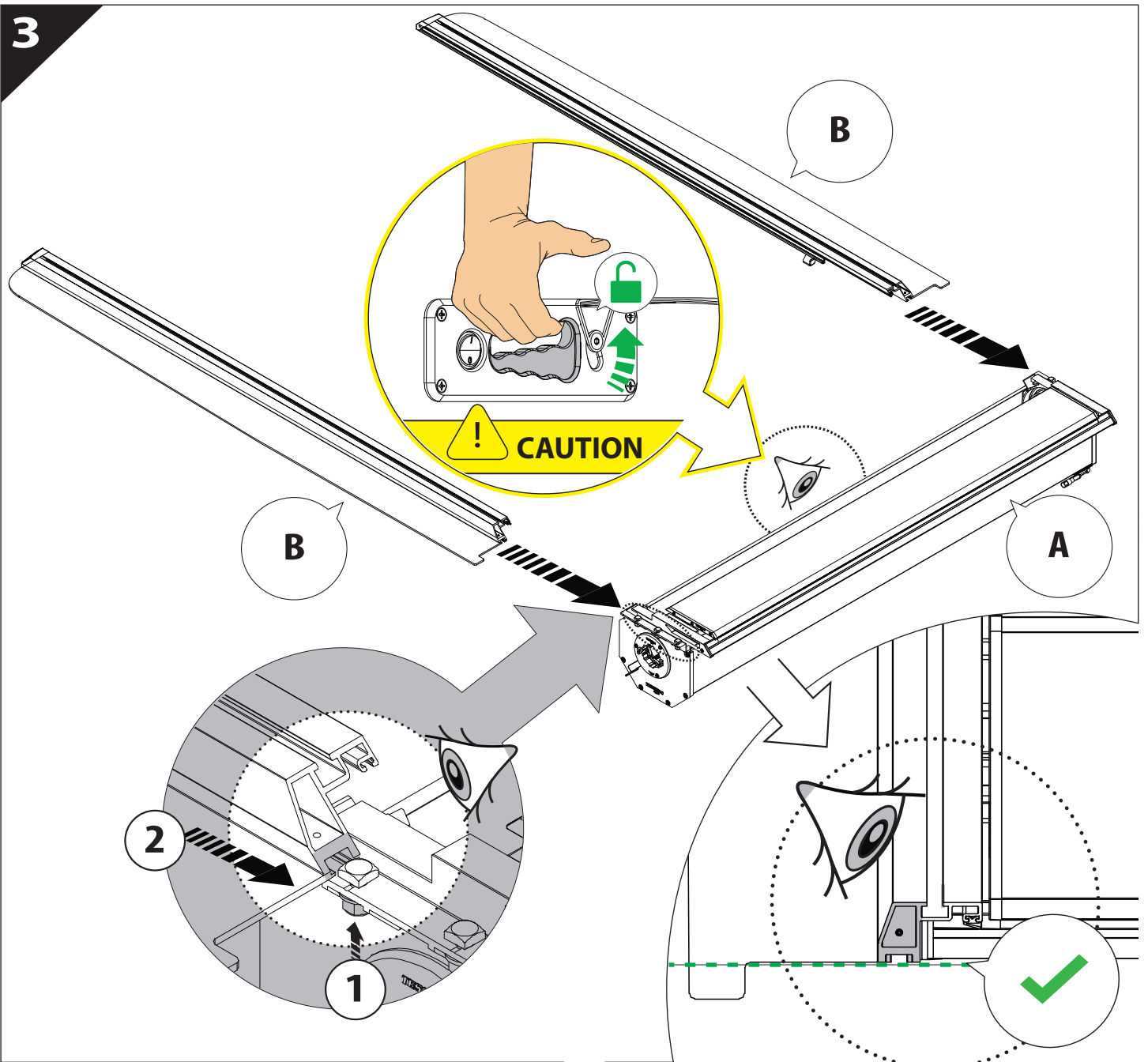
A

KITS

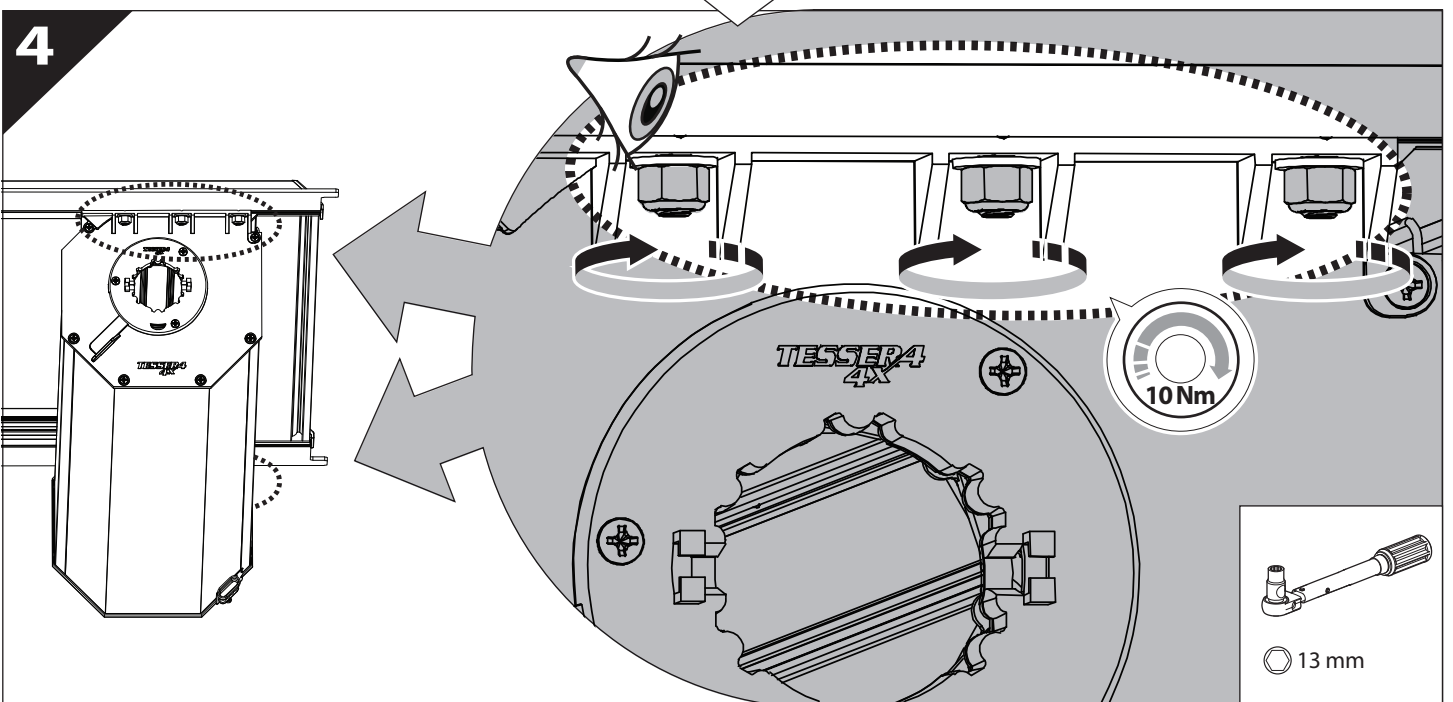
L

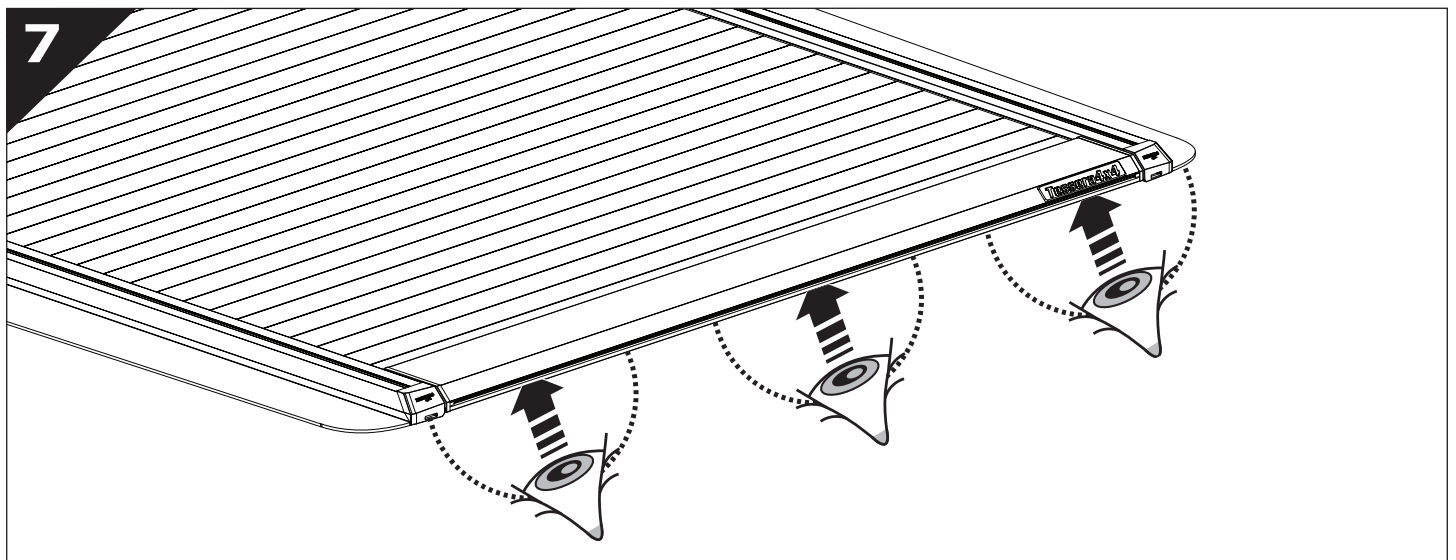
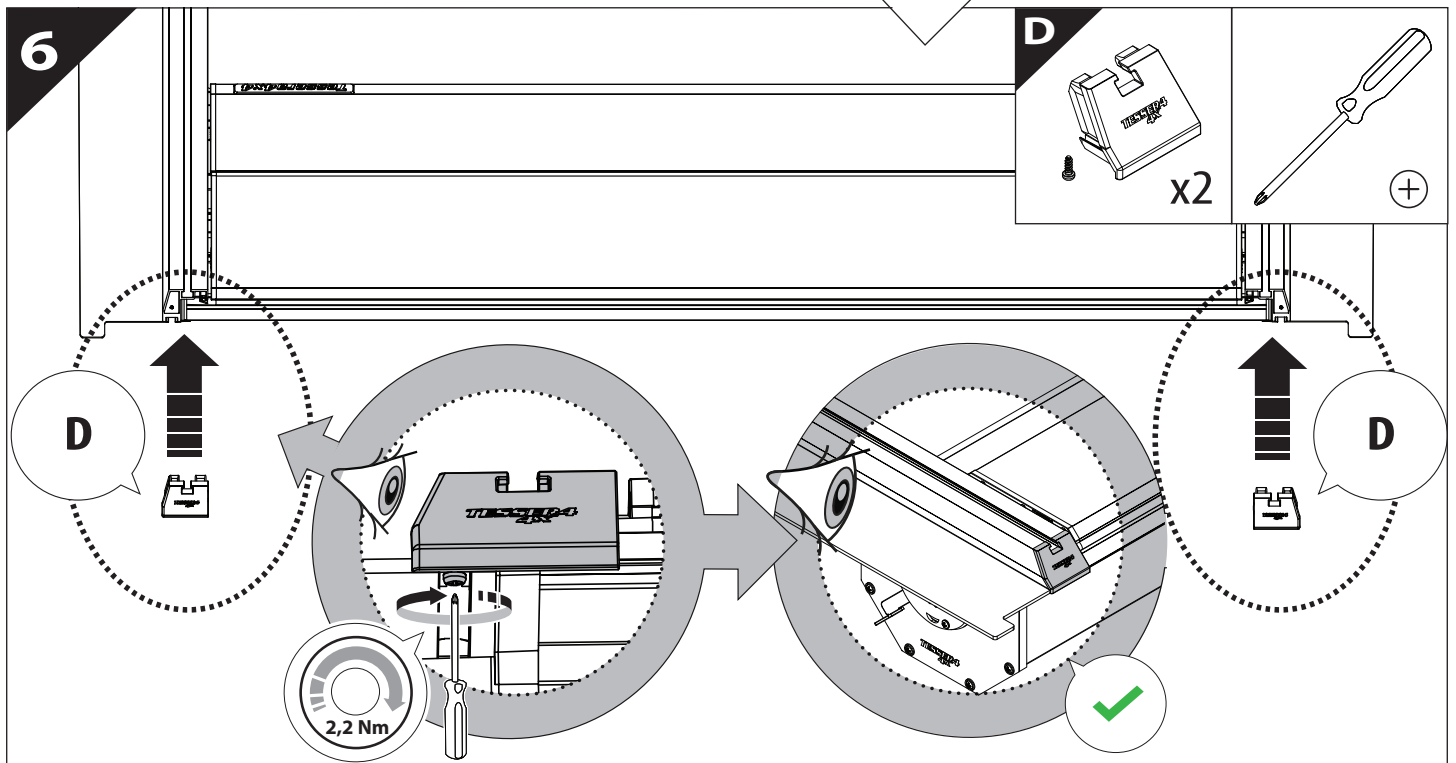
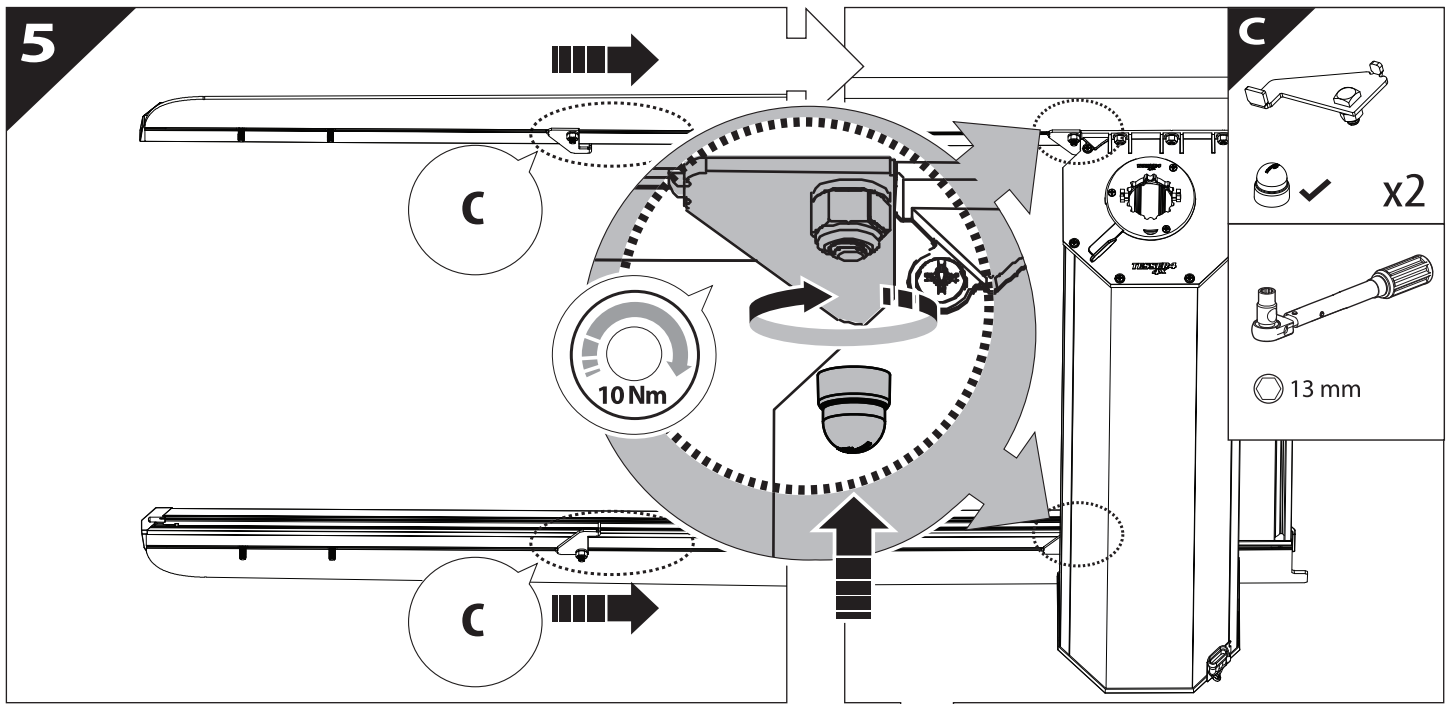


3



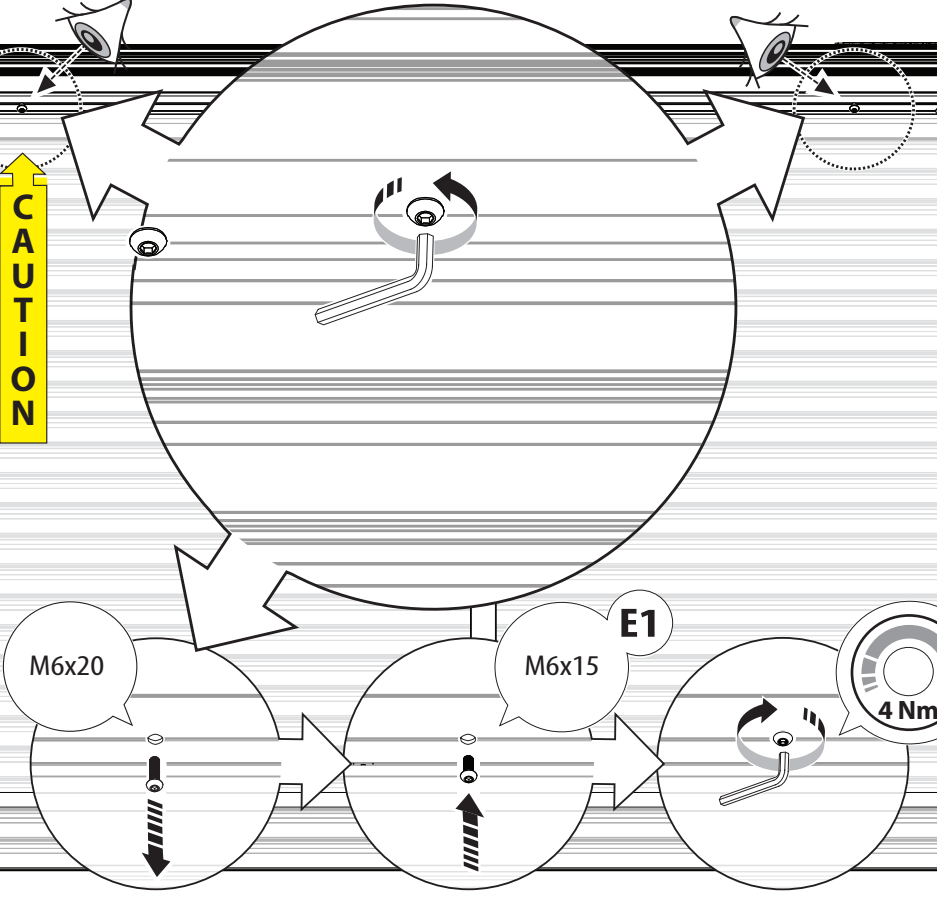
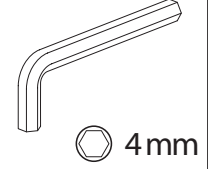
4



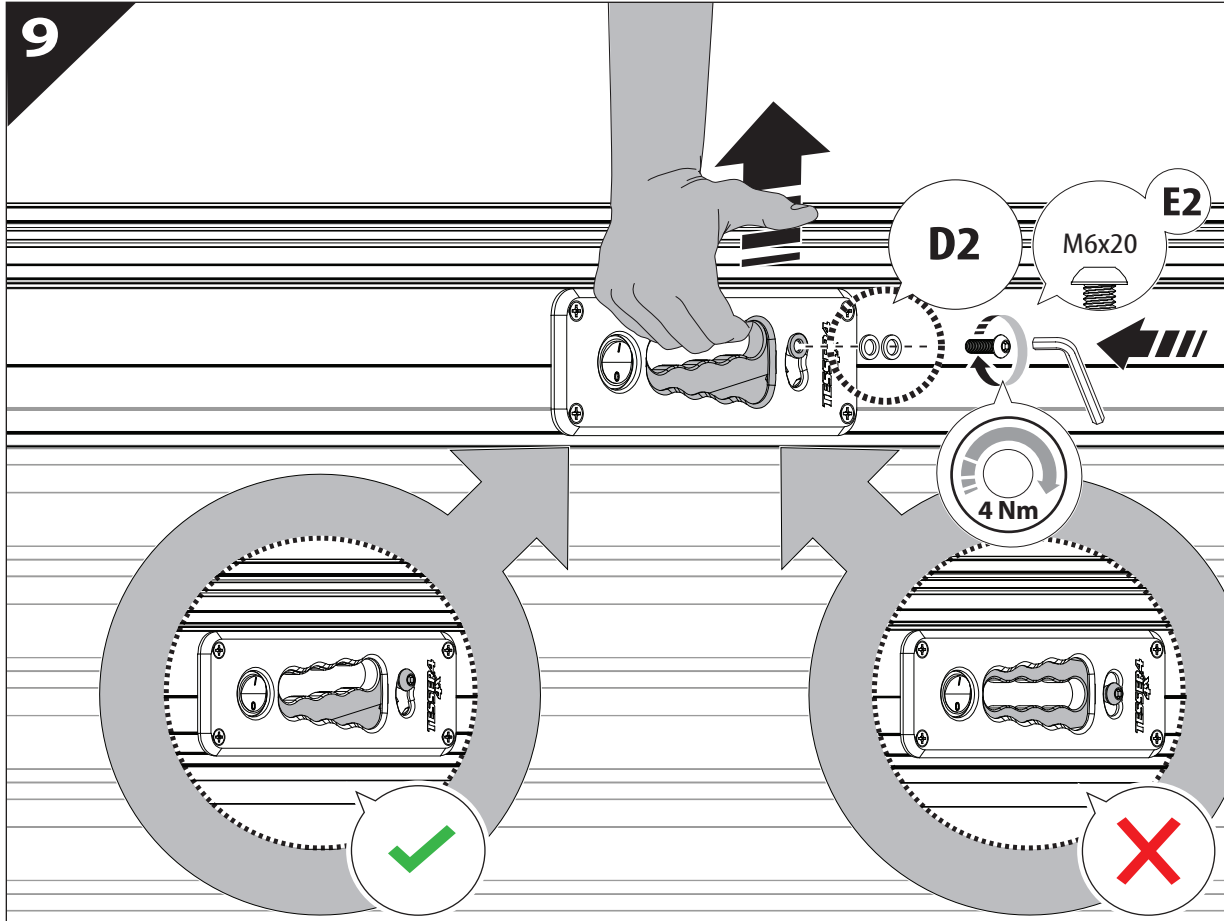
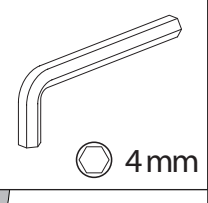
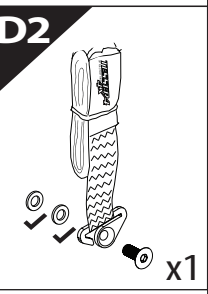


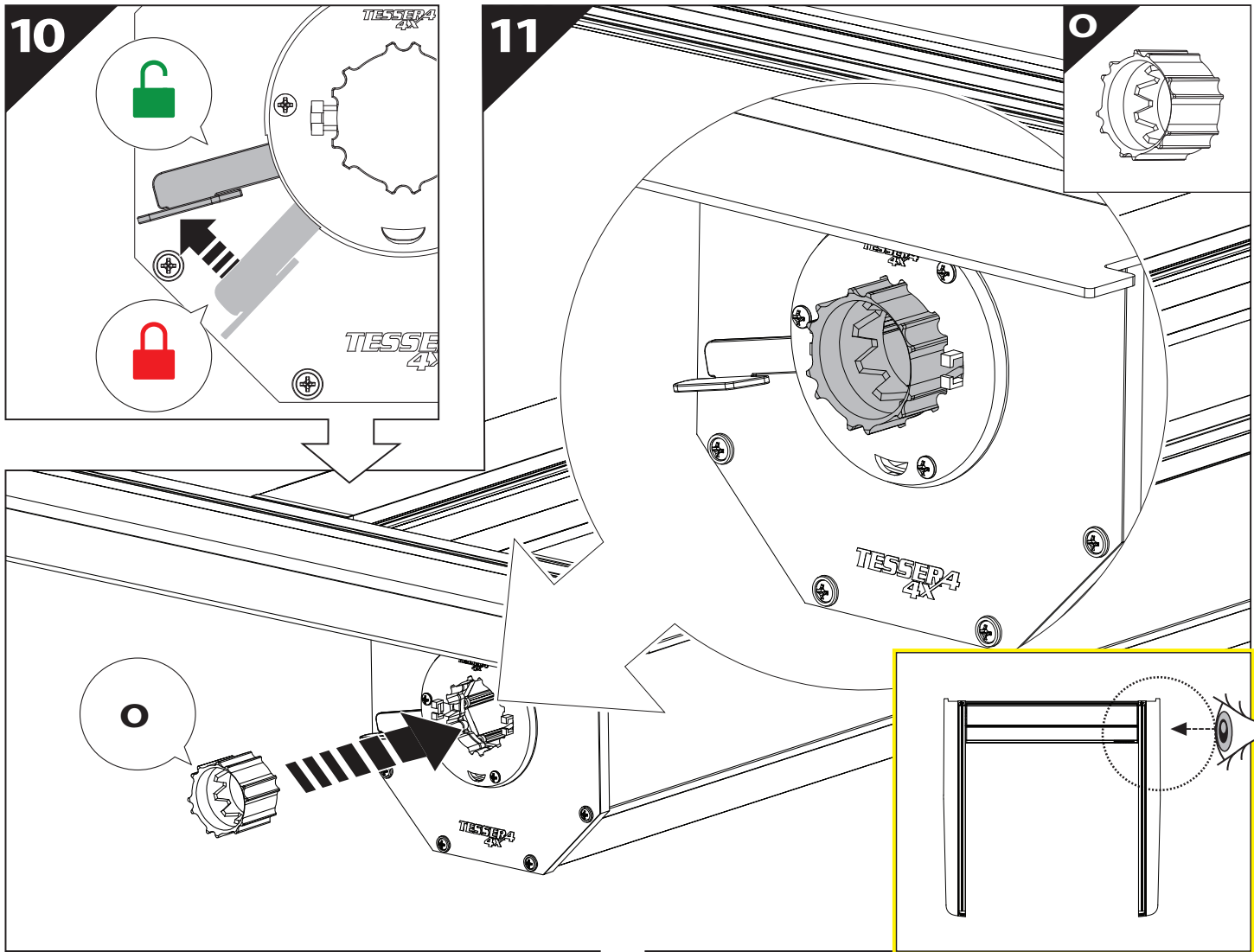
8

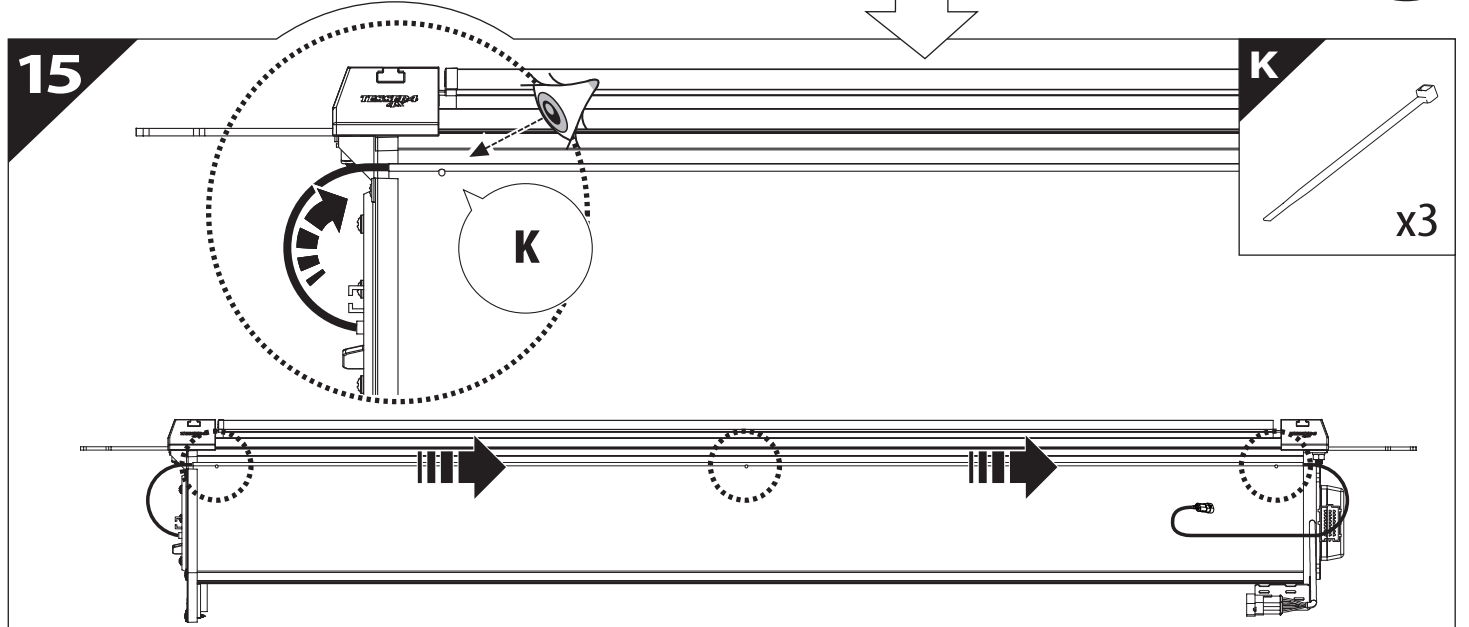
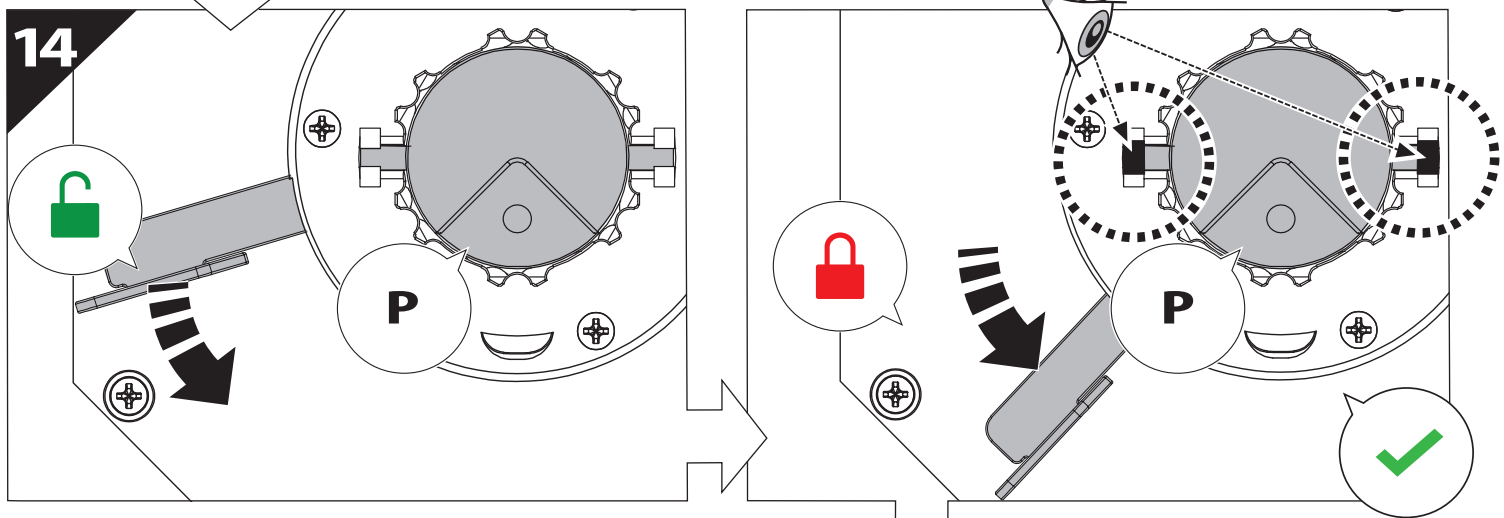
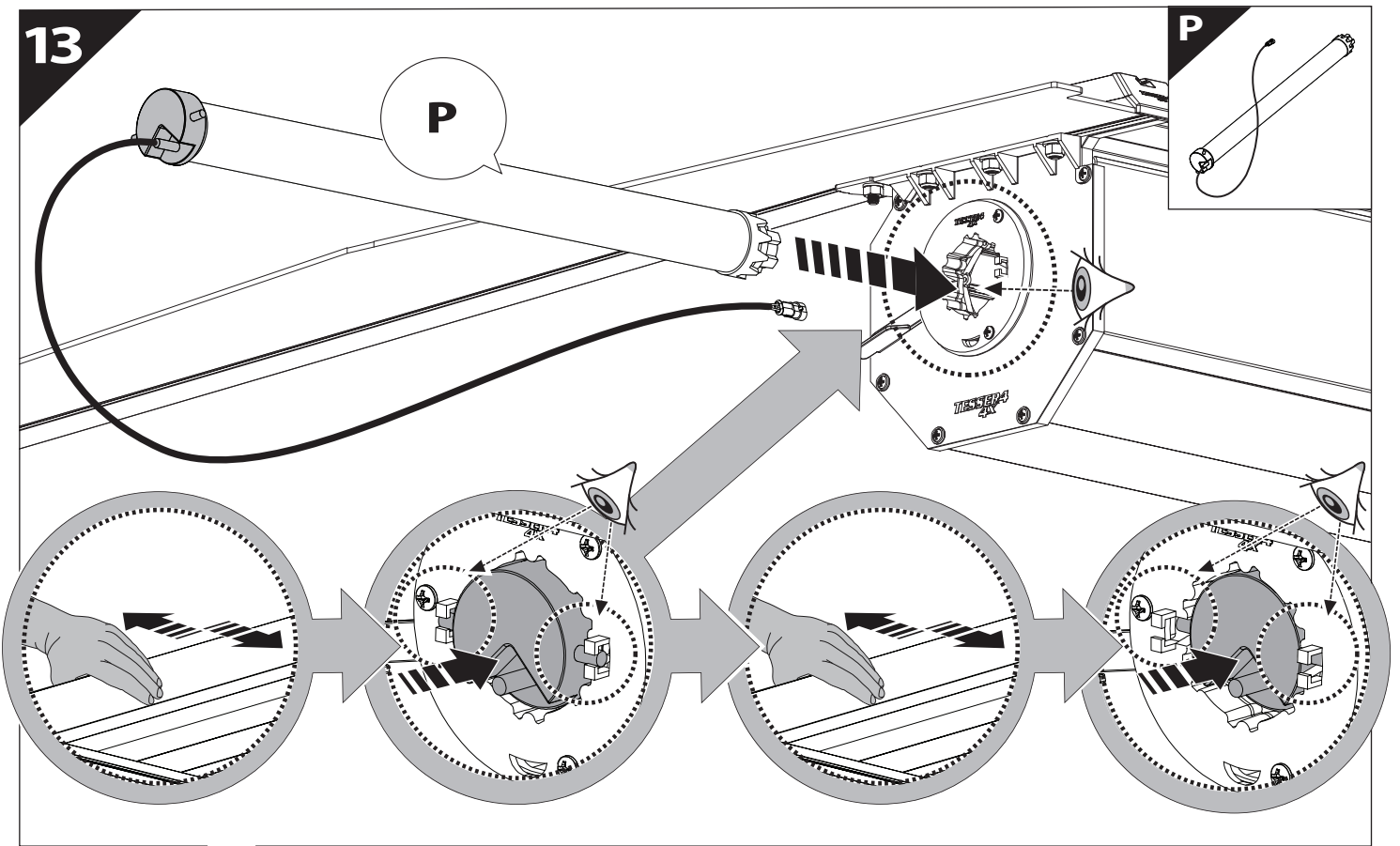
CAUTION

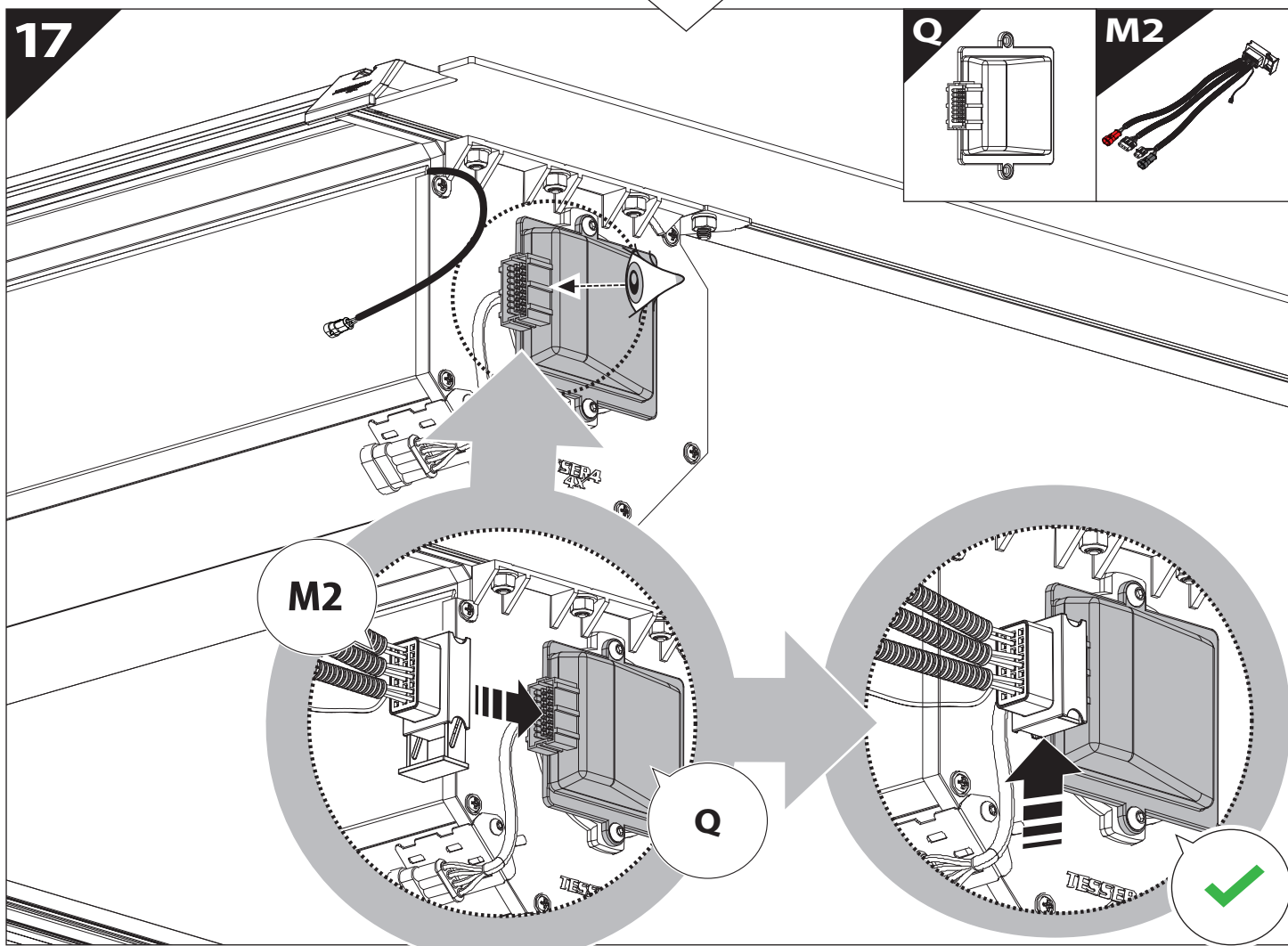
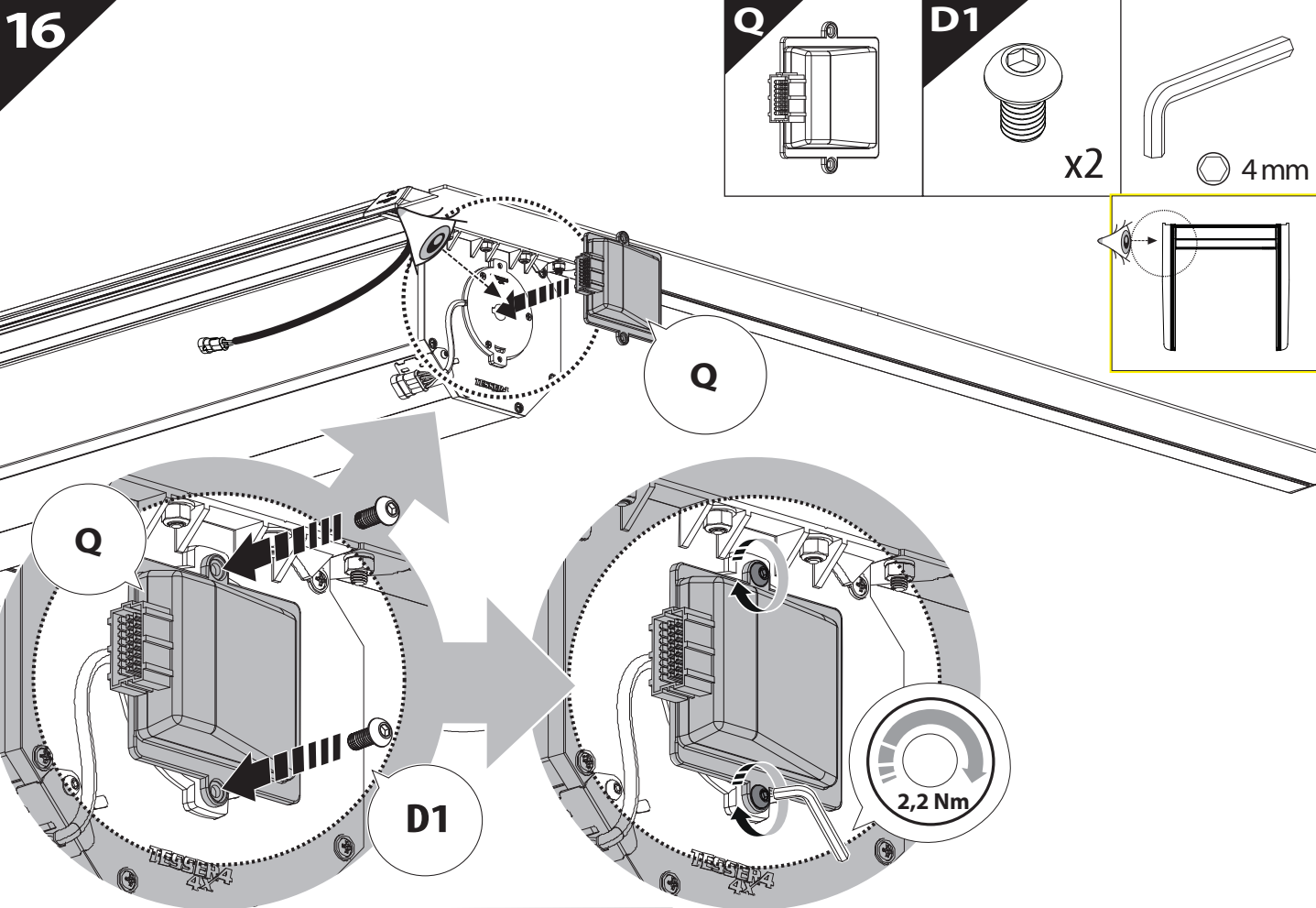


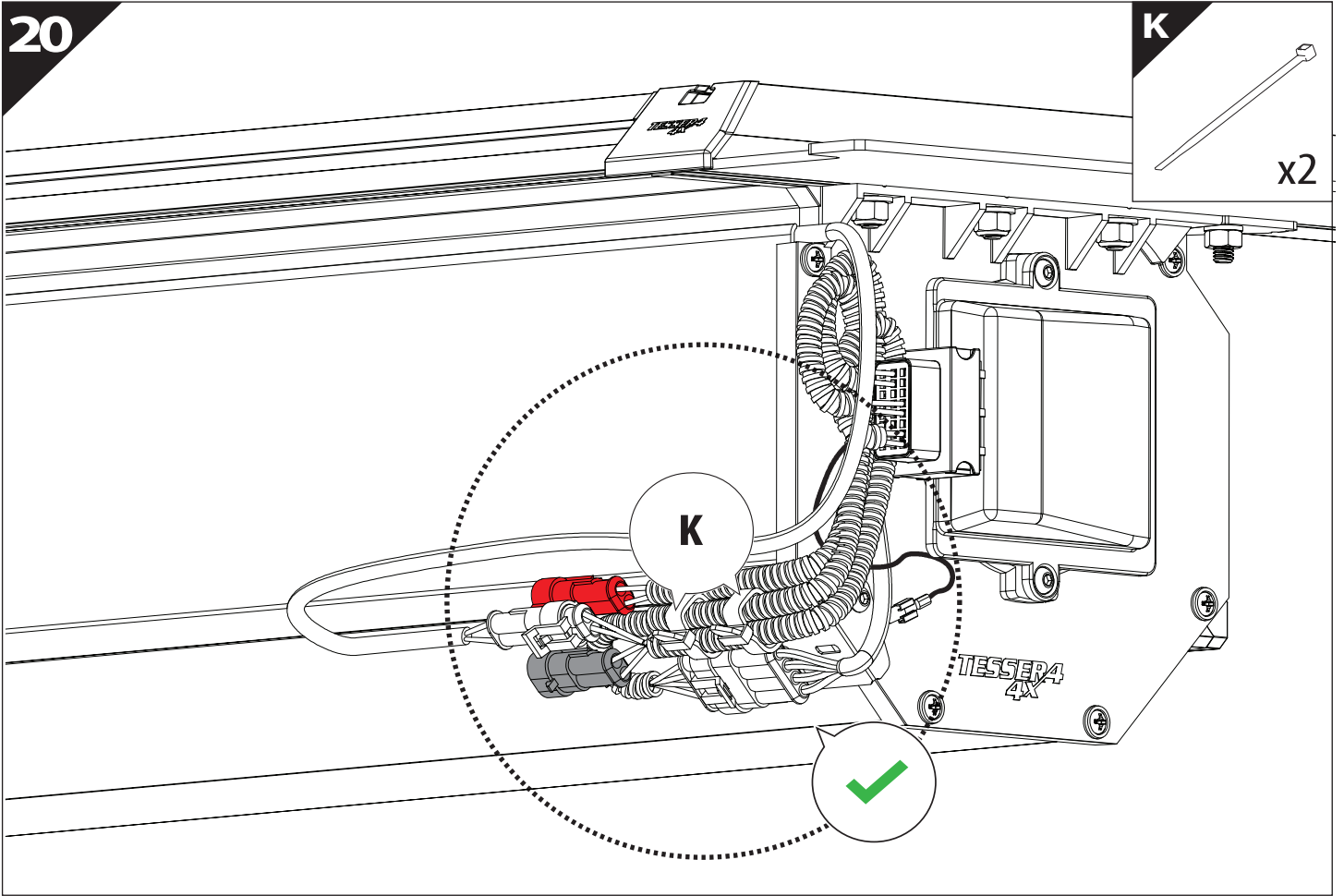
9

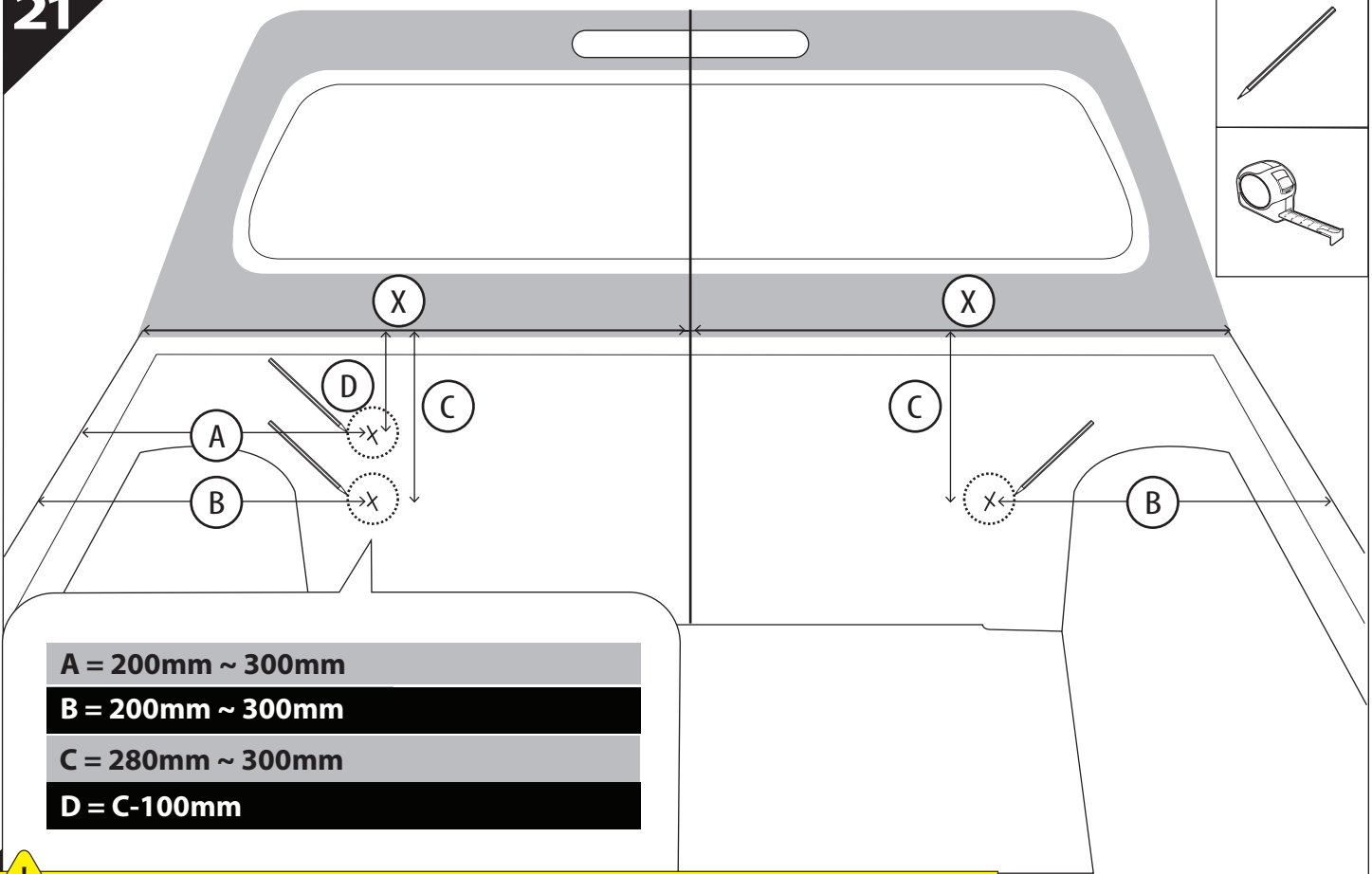
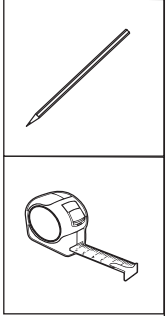














- A = 200mm ~ 300mm
- B = 200mm ~ 300mm
- C = 280mm ~ 300mm
- D = C - 100mm

 TRY TO FIND FREE & STRAIGHT SPOTS IN THESE DIMENSIONS ACCORDINGLY

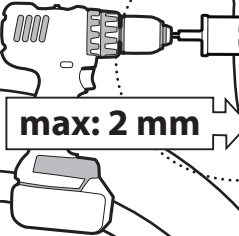


Ø 25 mm




Rust Protection

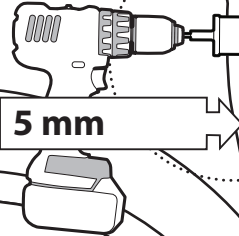
CAUTION






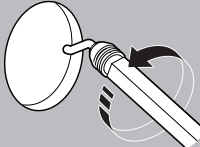

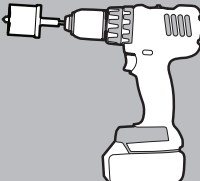

max: 2 mm



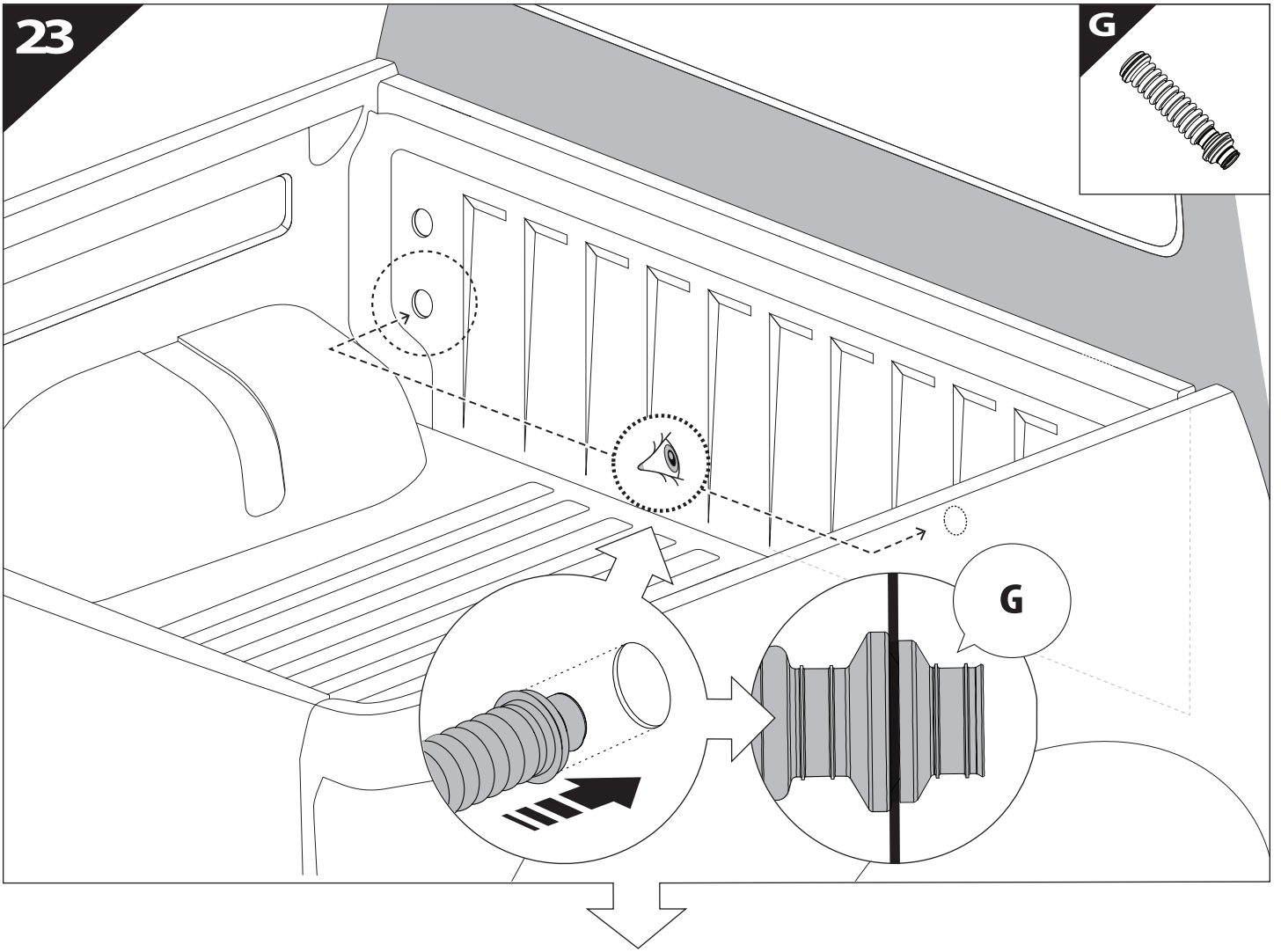
CAUTION

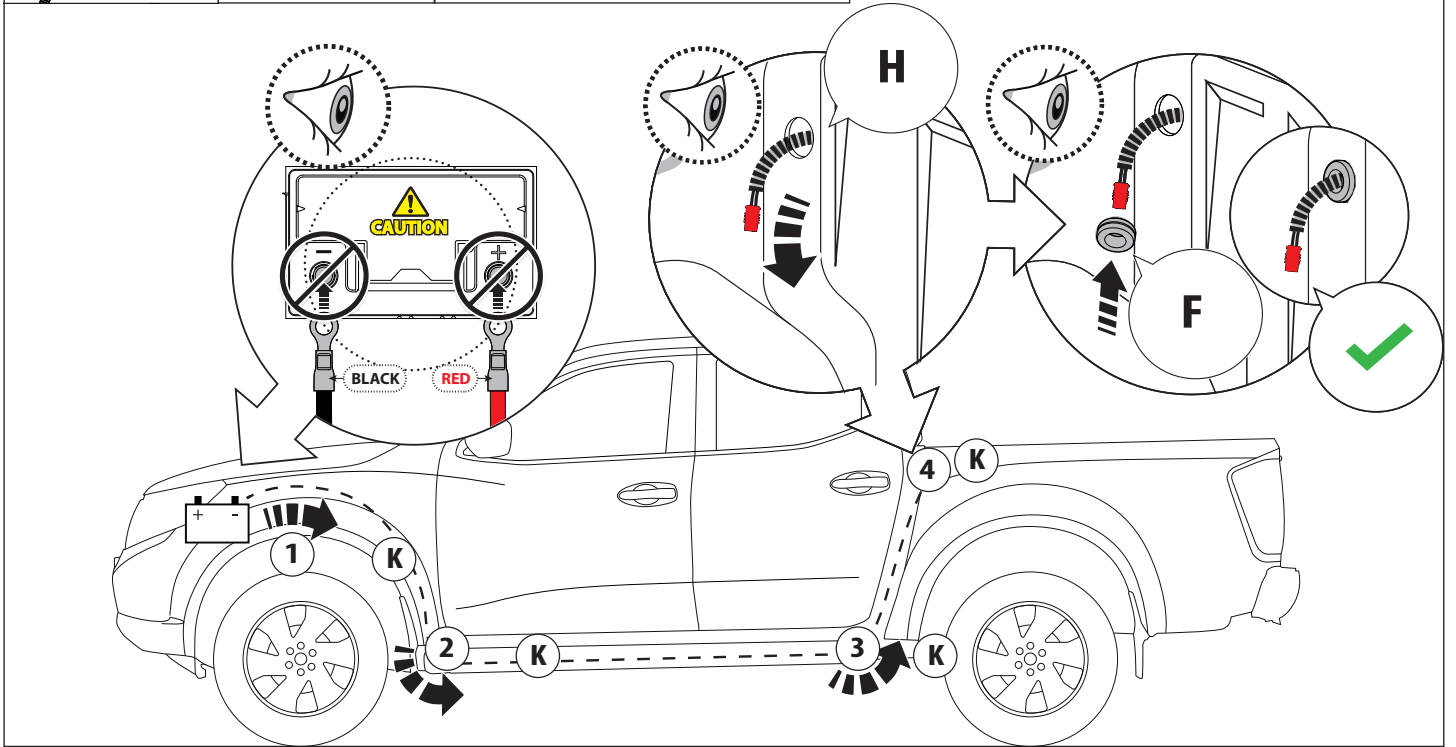
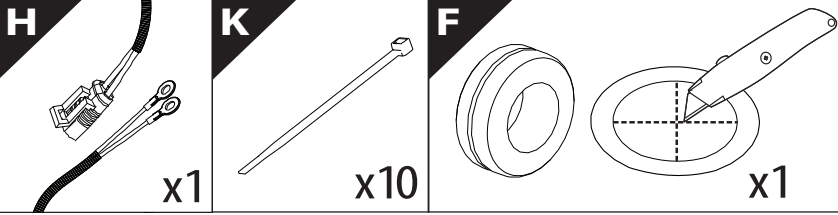


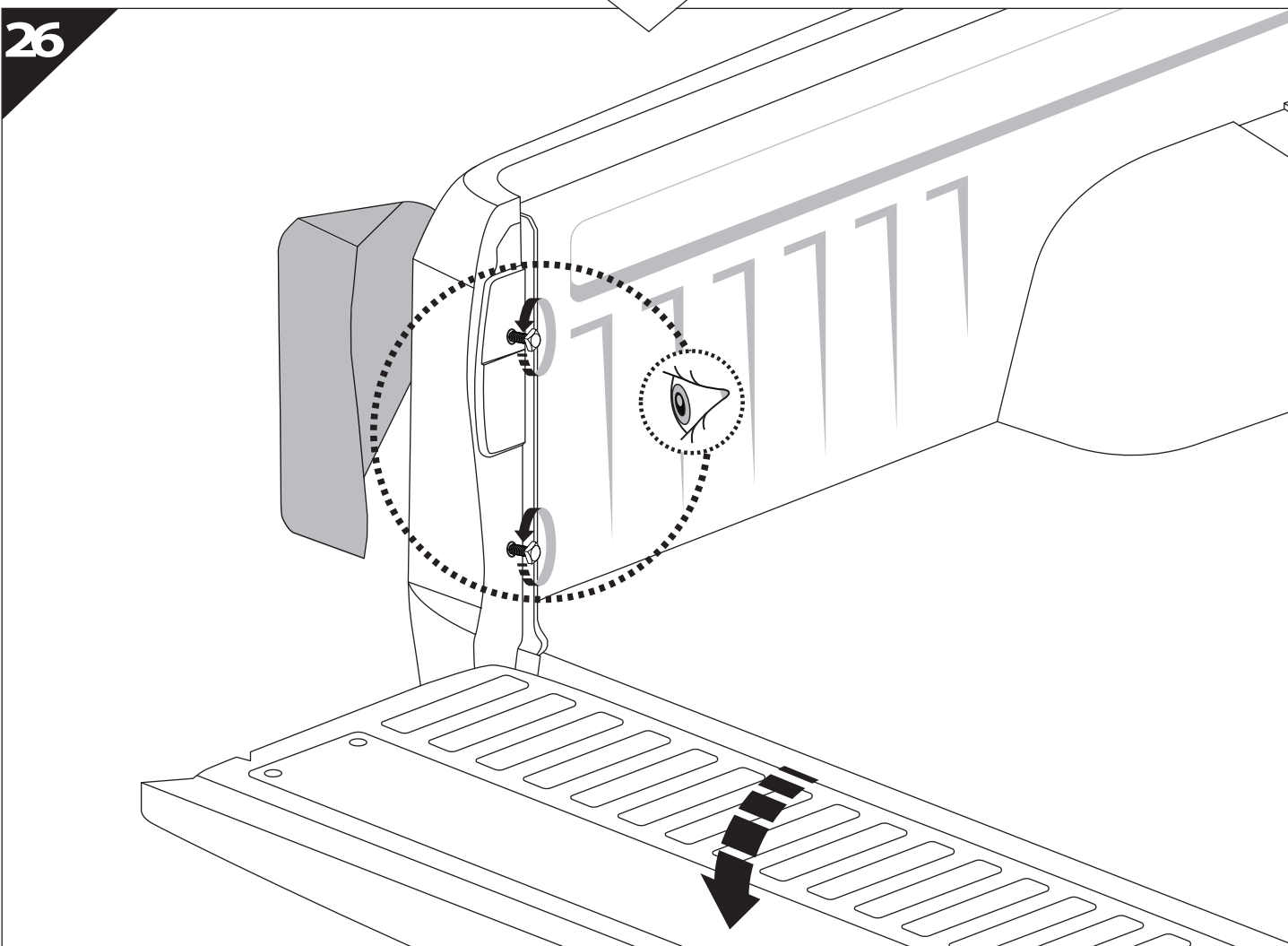
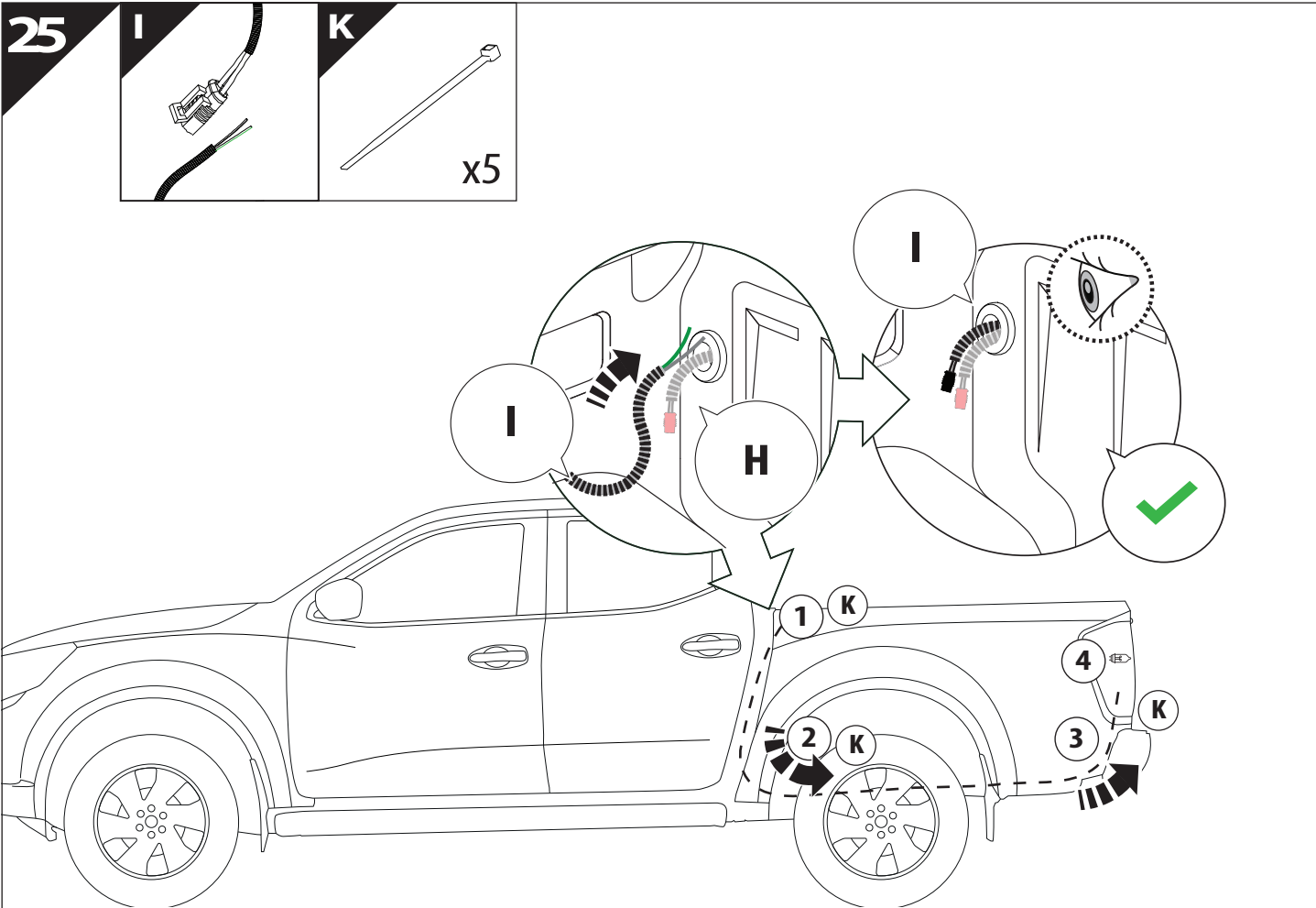
5 mm



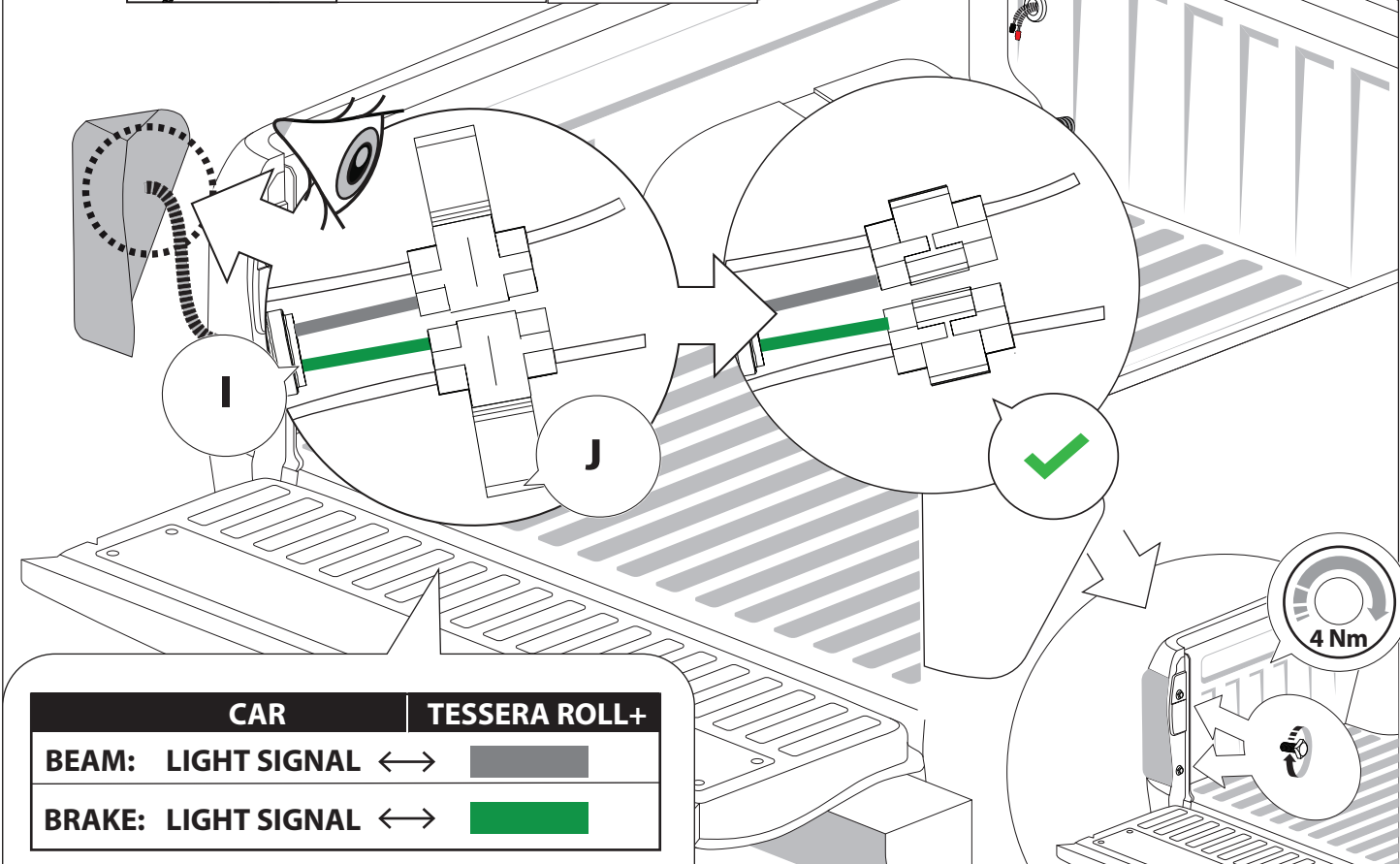
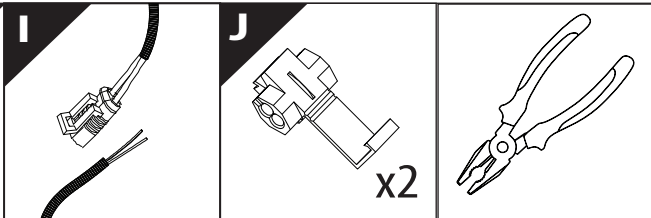
23







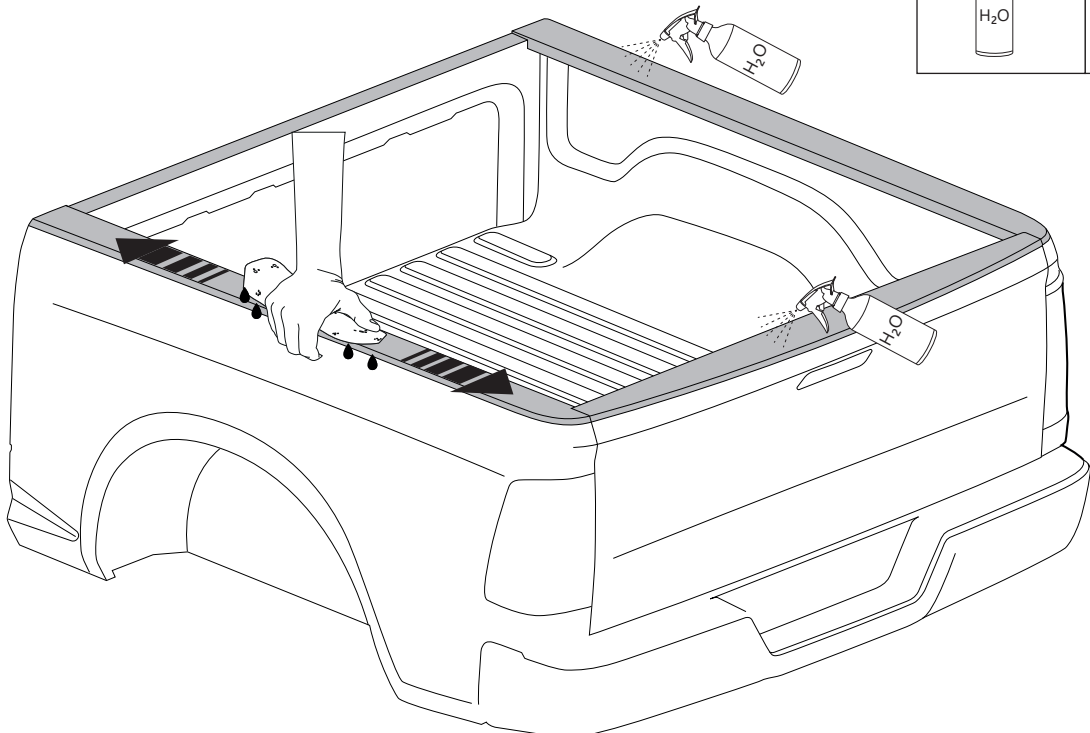
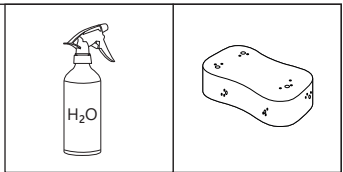
27

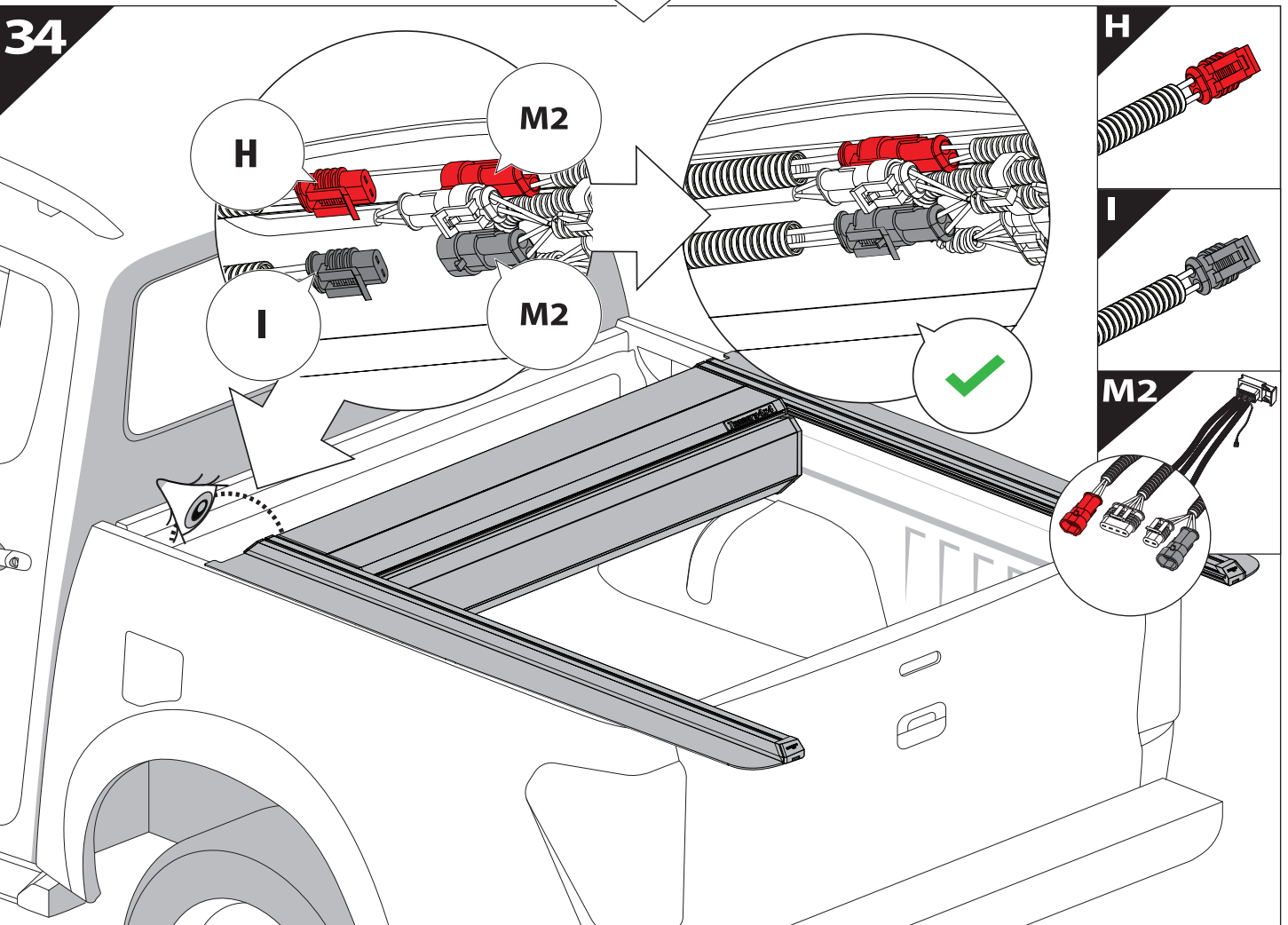
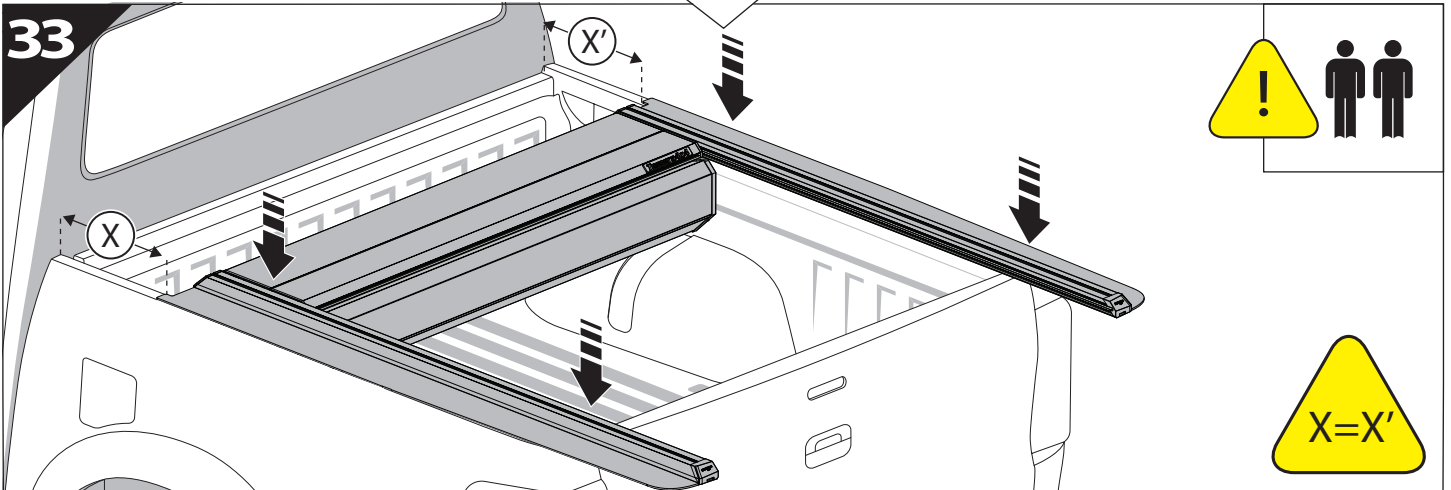
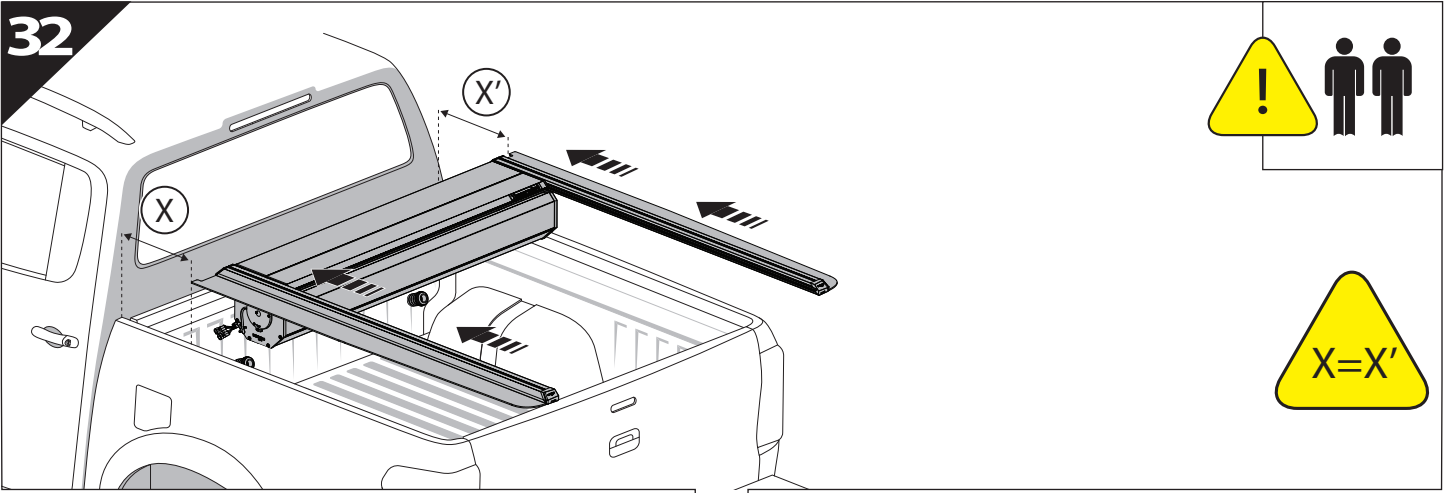


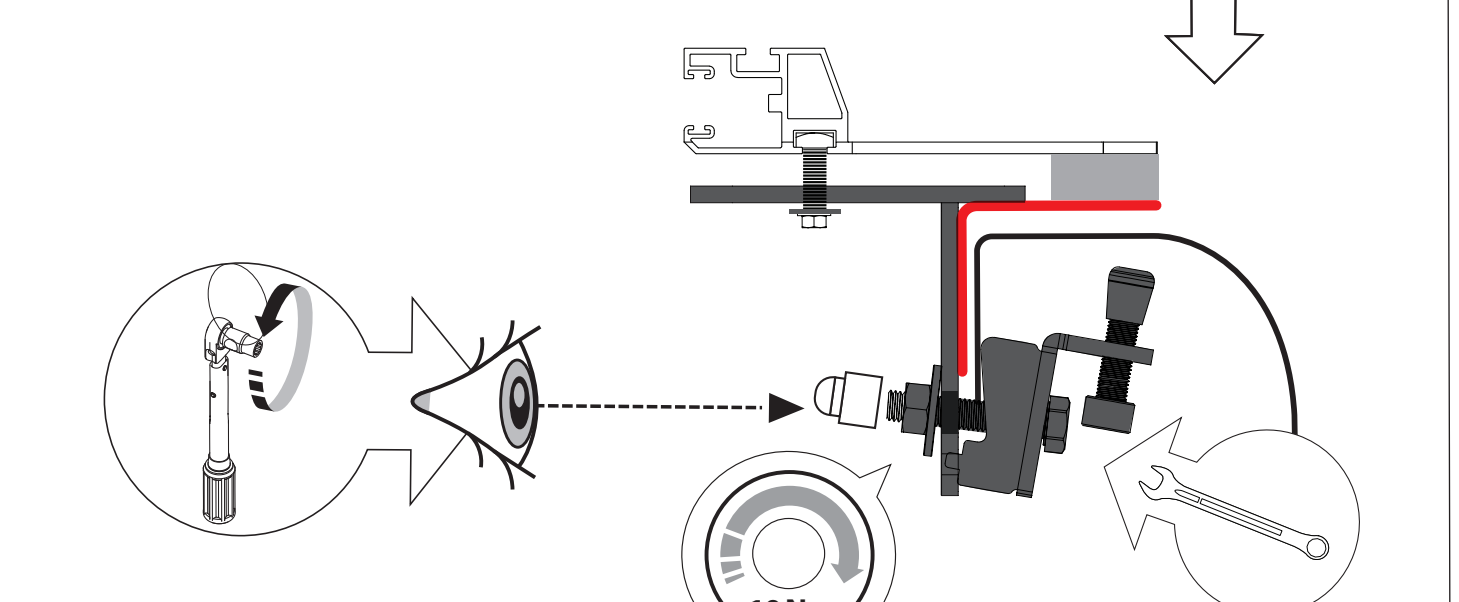
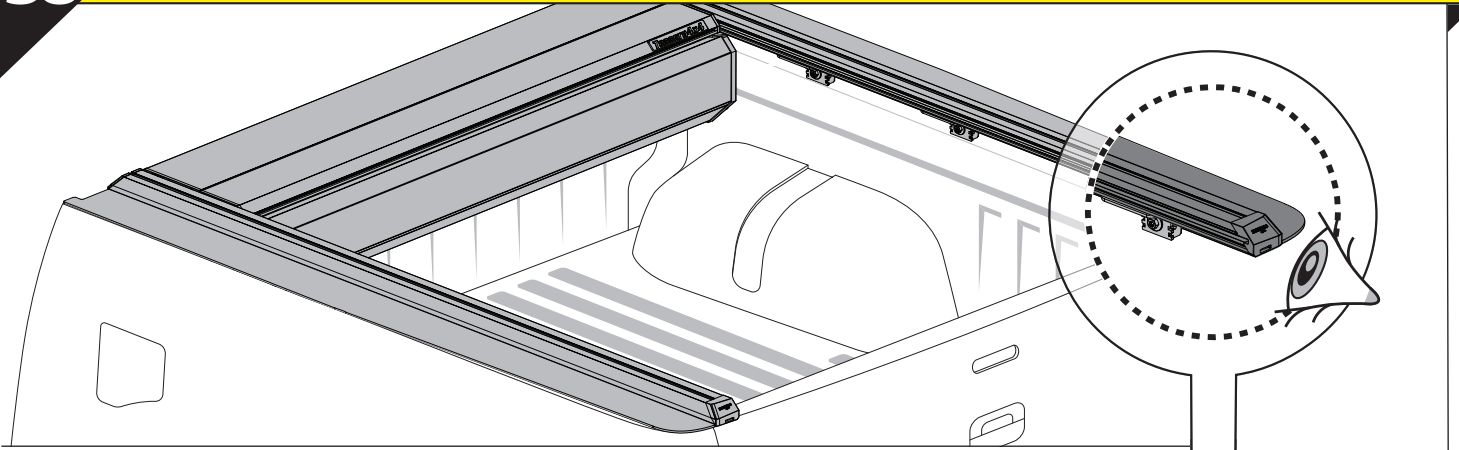
| CAR | TESSERA ROLL+ |
|-----------------------|---------------|
| BEAM: LIGHT SIGNAL ↔ | |
| BRAKE: LIGHT SIGNAL ↔ | |

CAUTION: CONSULT A CERTIFIED AUTO MECHANIC OR AUTOMOTIVE ELECTRICIAN TO IDENTIFY THE CORRECT WIRING CABLES FOR BEAM AND BRAKE SIGNALS BEFORE MAKING ANY CONNECTIONS.

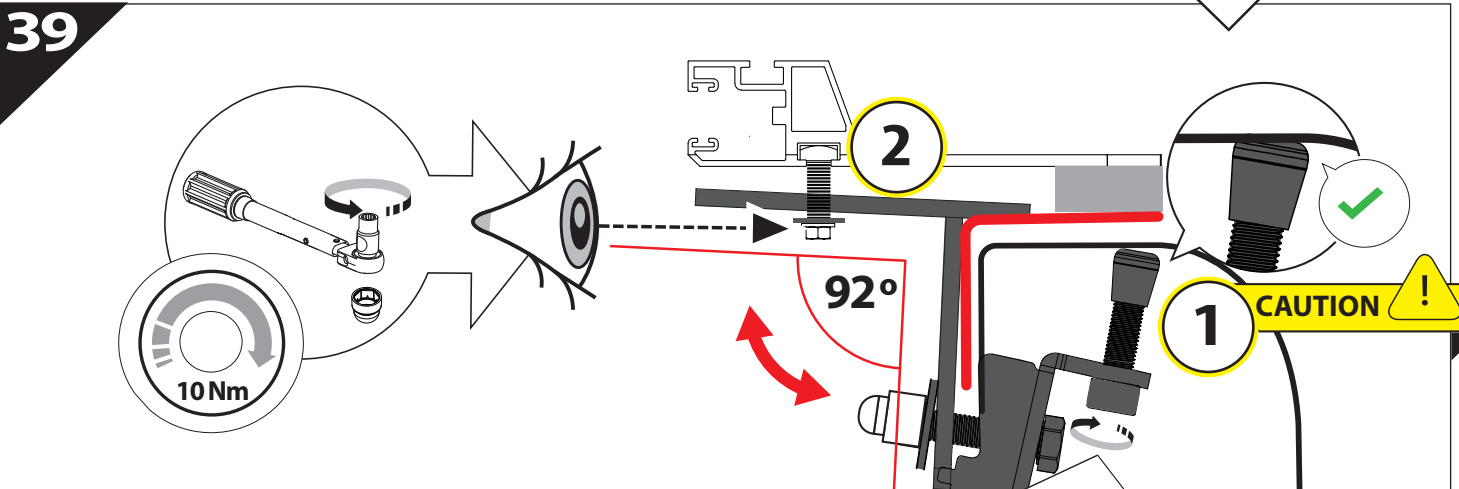
28



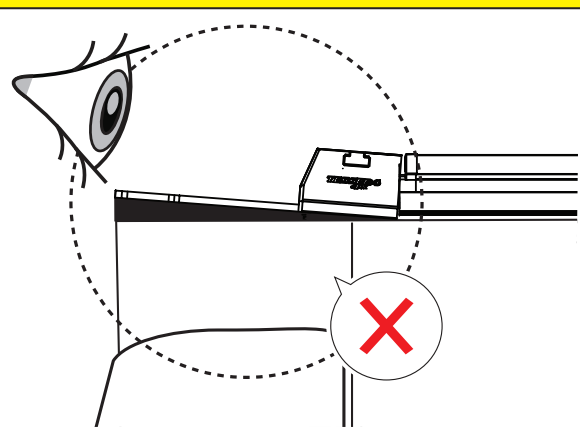
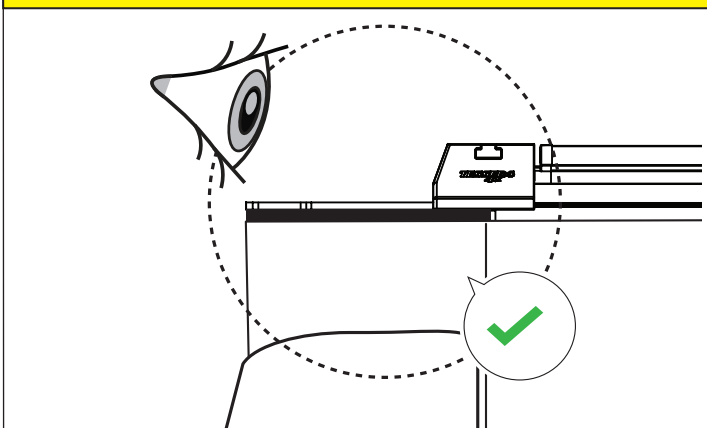
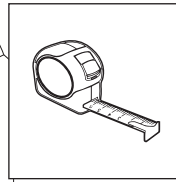
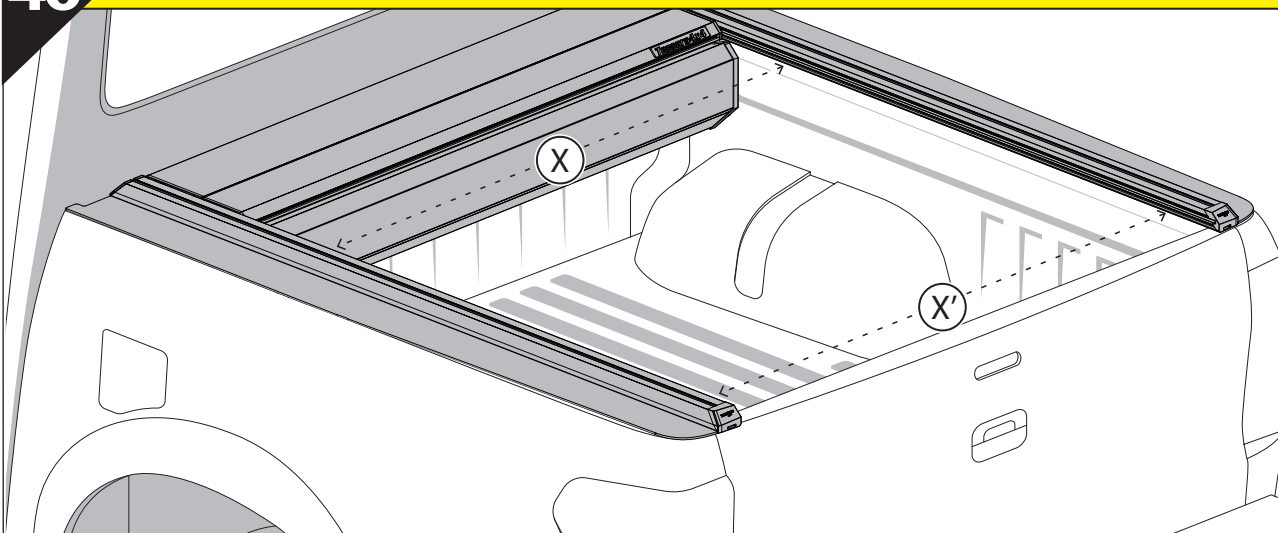




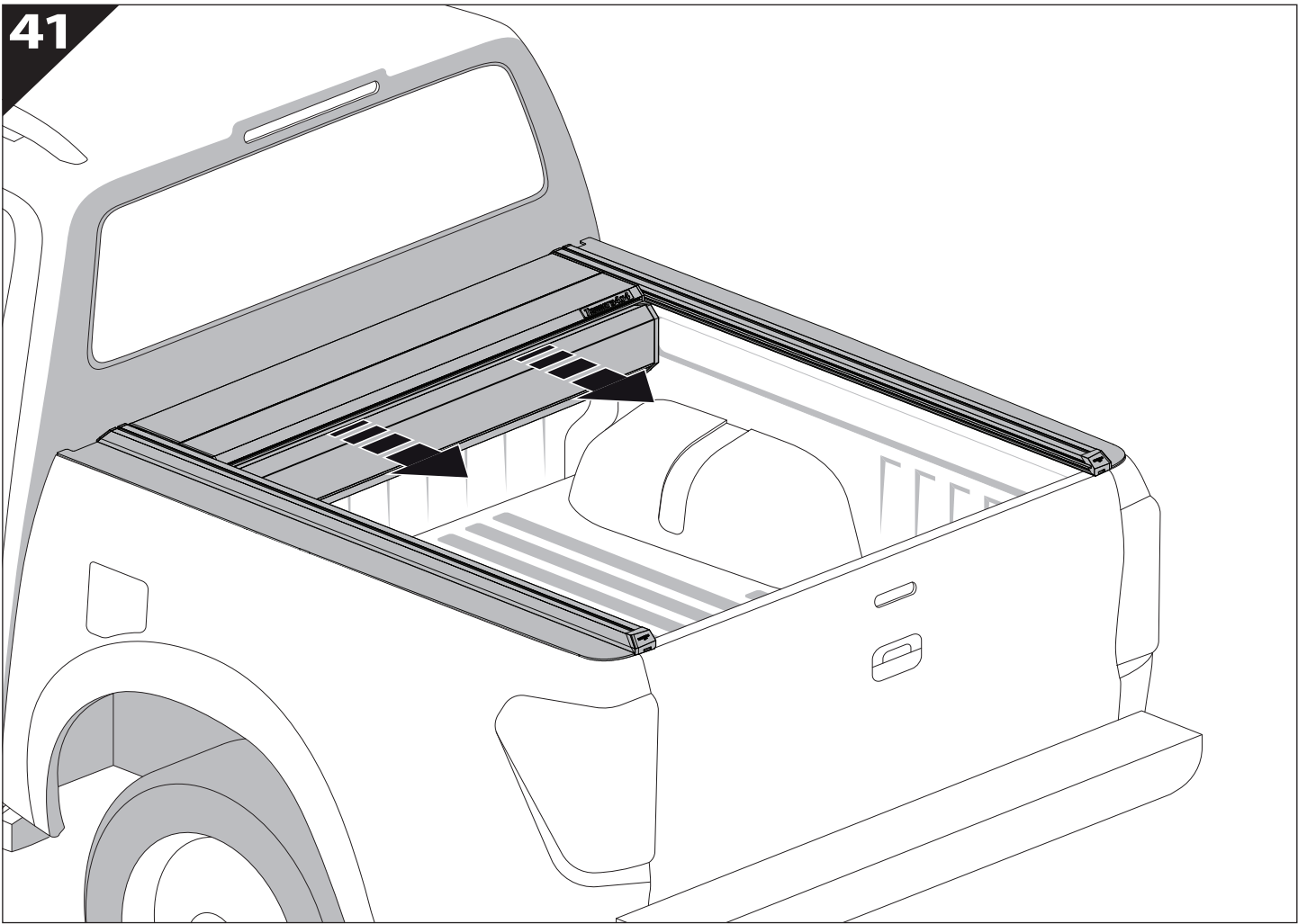
| | | |
|---------------------------|---------------------------|--------------|
| <p>N</p> <p>x6</p> | <p>E</p> <p>x6</p> | <p>13 mm</p> |
|---------------------------|---------------------------|--------------|



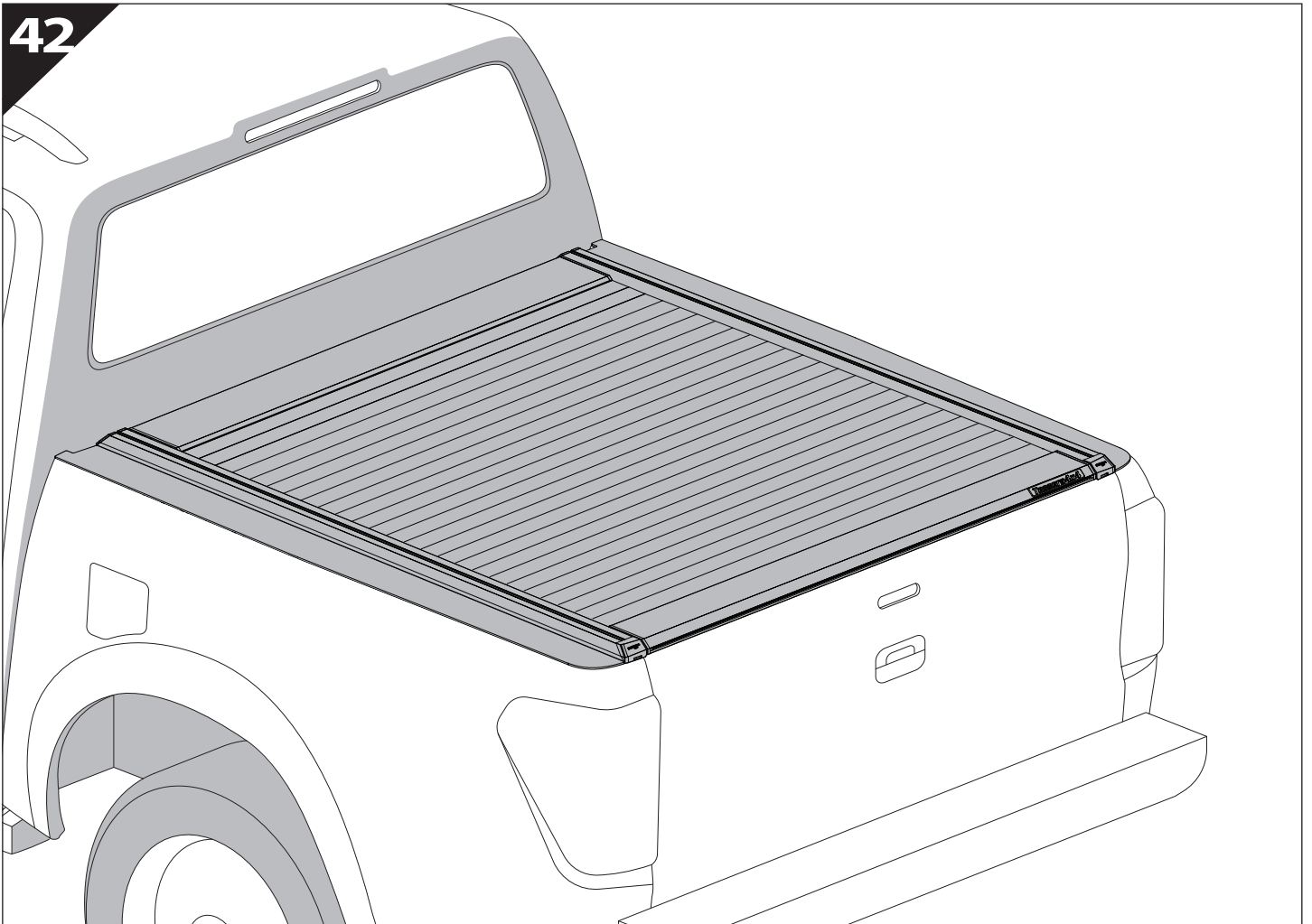
| | | |
|-----------------|-----------------|--|
| <p>N</p> | <p>E</p> | |
|-----------------|-----------------|--|



41



42





GR: Οδηγίες Εγκατάστασης
GB: Installation manual
SF: Asennusohje
F: Notice de montage
PL: Instrukcja montażu
NL: Installatie-instructies
TR: Montaj Talimatı
S: Monteringsanvisning
E: Instrucciones de montaje

H: Szerelési utasítás
P: Instruções de instalação
RUS: Инструкция по установке
N: Monteringsveiledning
D: Einbauanleitung
CZ: Návod k instalaci
I: Istruzioni de montaggio
DK: Monteringsvejledning
RO: Instructiuni de instalare

Customer Service:

+30 (210) 5541161, +30 (210) 5541154 (08:00 - 16:00 EET)

Support department:

info@gianso.gr

Website:

www.tessera4x4.com

Address:

19.5 km of National road Athens-Korinthos (Elefsina) Greece, P.C: 19200