

# Tessera Roll+

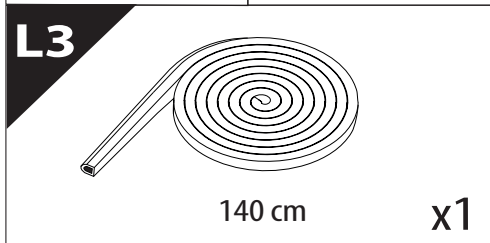
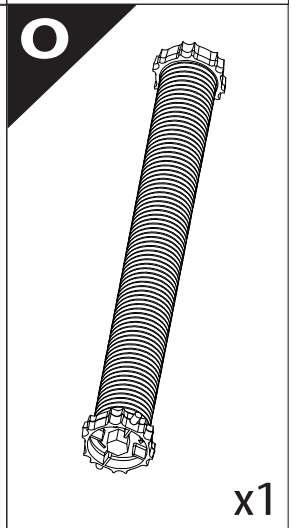
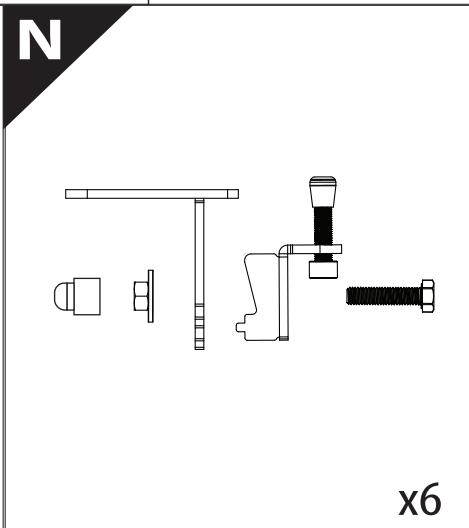
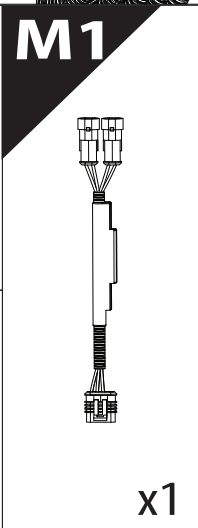
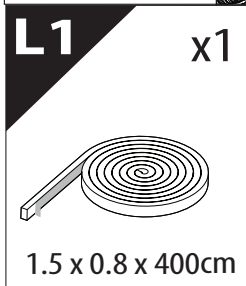
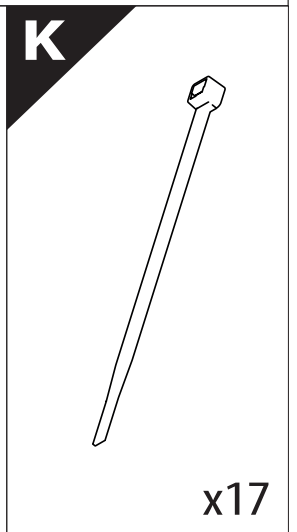
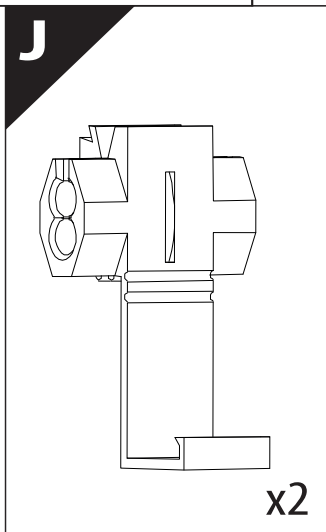
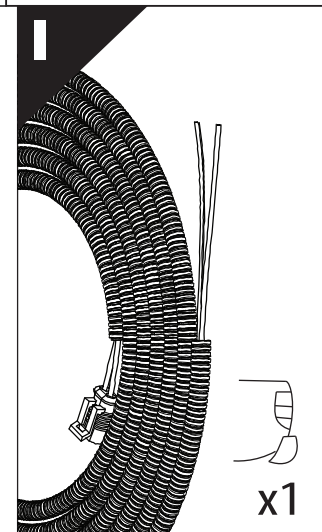
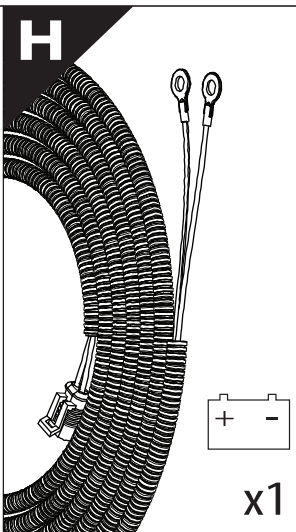
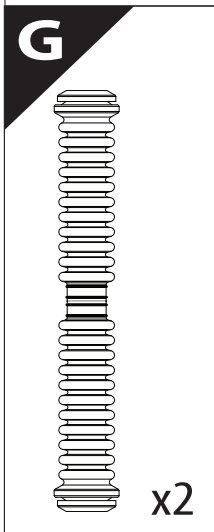
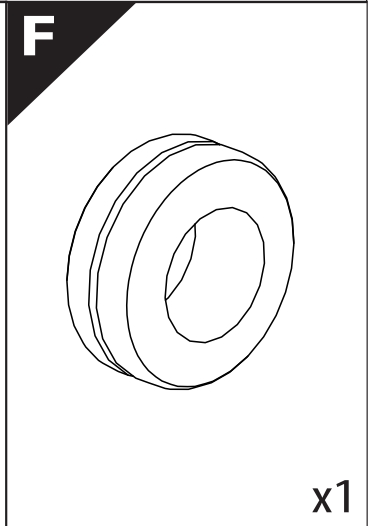
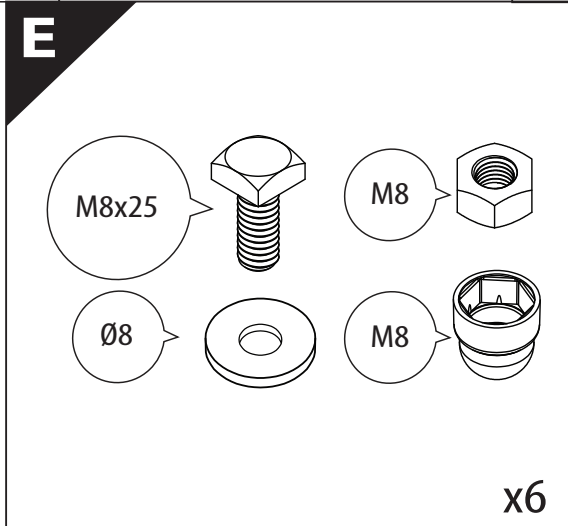
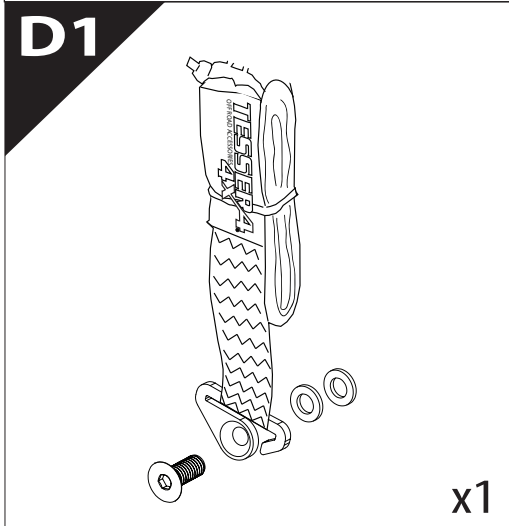
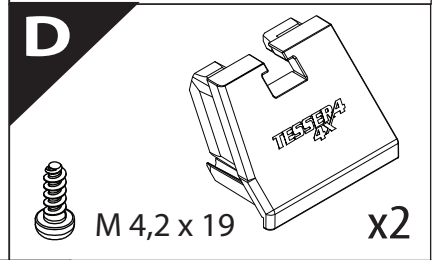
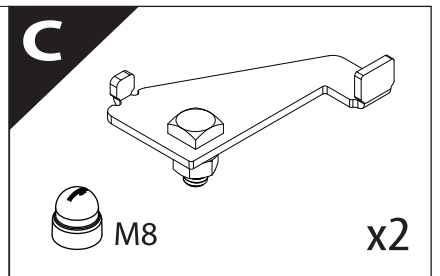
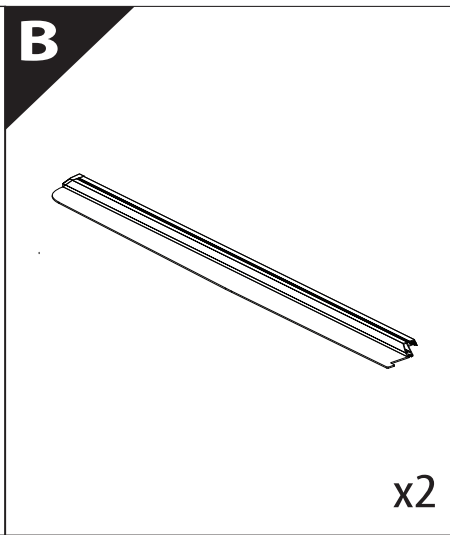
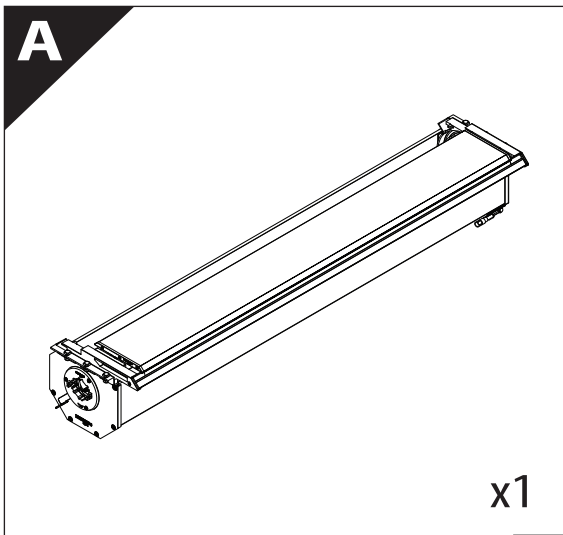
## Basic Version + ⚙️ S-KIT

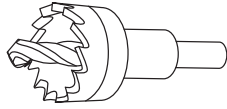


## Installation Manual

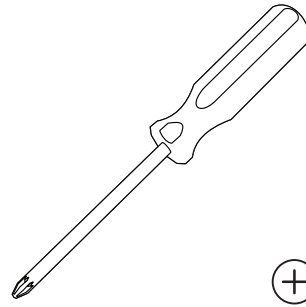
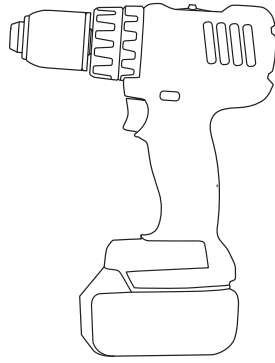
PART NUMBER(S)	Model Year
TESS 1434 ROLL+S-KIT	Chevrolet Colorado / GMC Canyon 2023+
Cab(s)	Installation Time / Weight
Double Cab	40-60 minutes / 53-57 kg



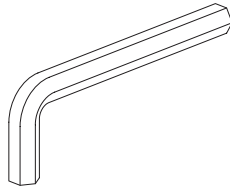
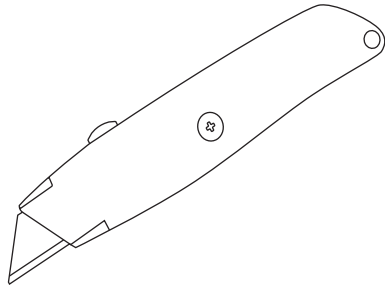
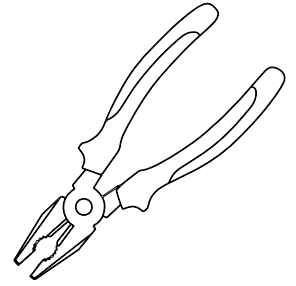




Ø 25 mm

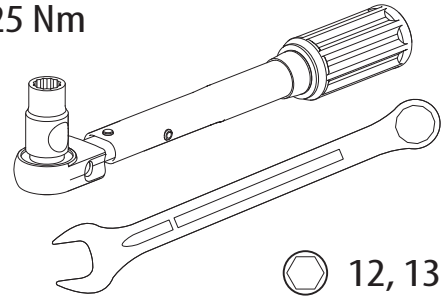


+



4 mm

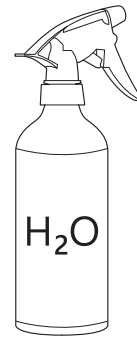
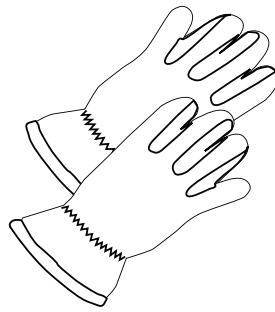
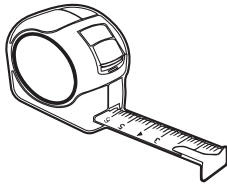
1 - 25 Nm



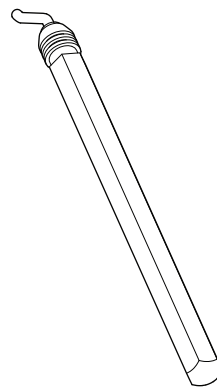
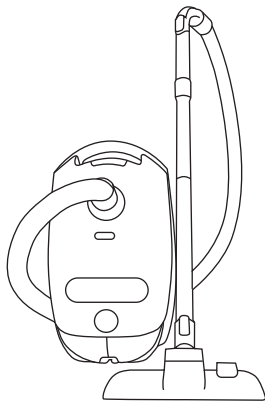
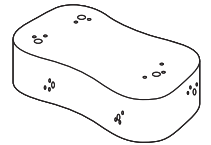
12, 13 mm



ACETONE



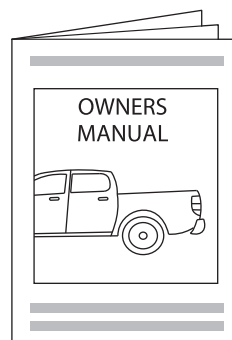
H<sub>2</sub>O



ANTI-RUST



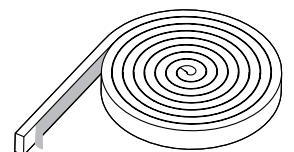
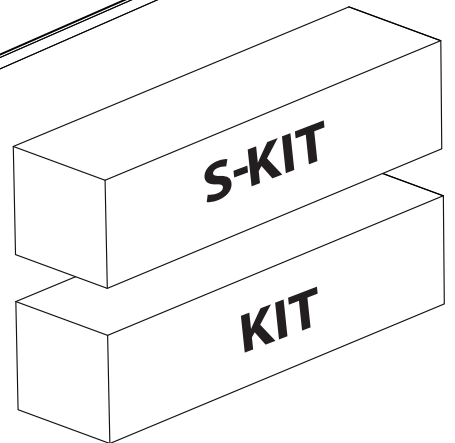
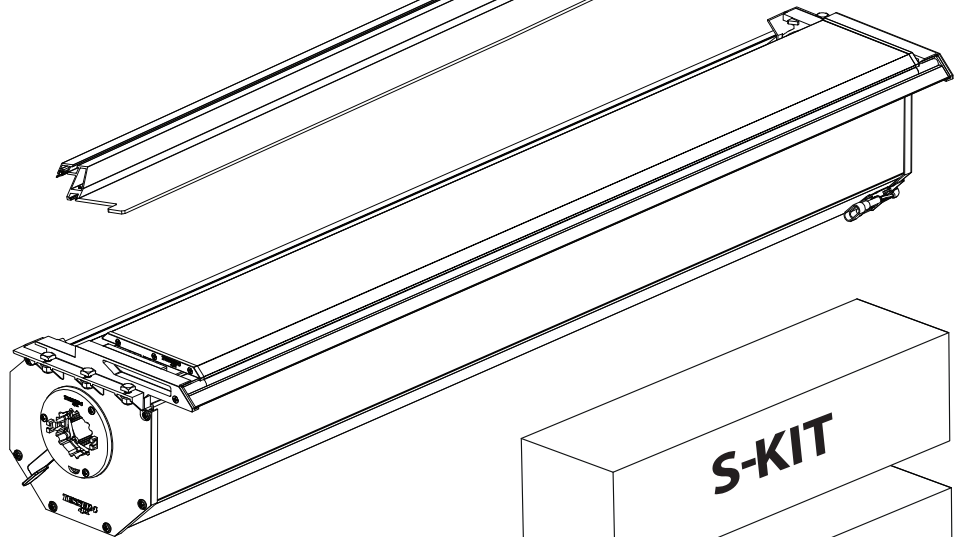
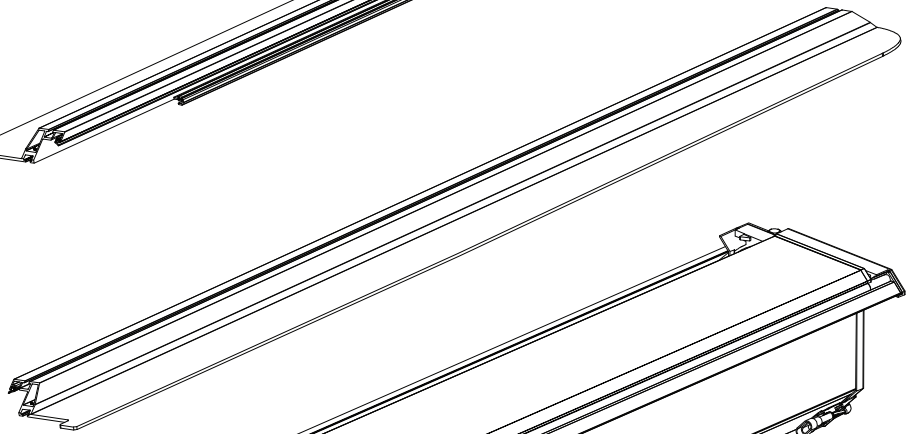
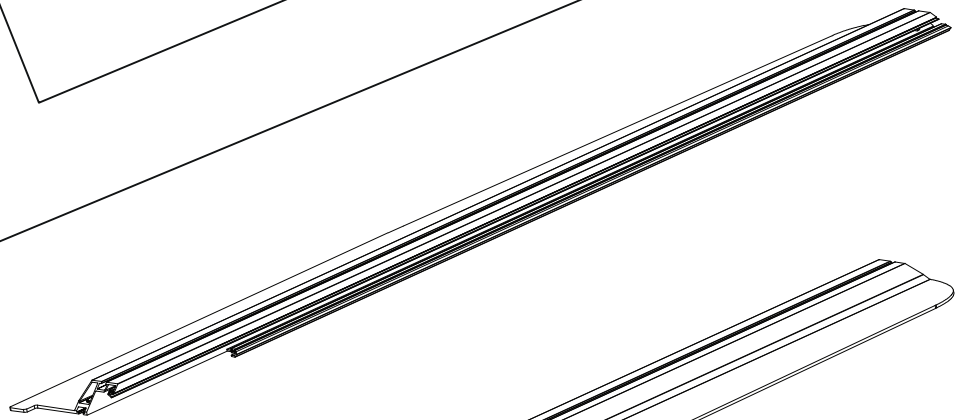
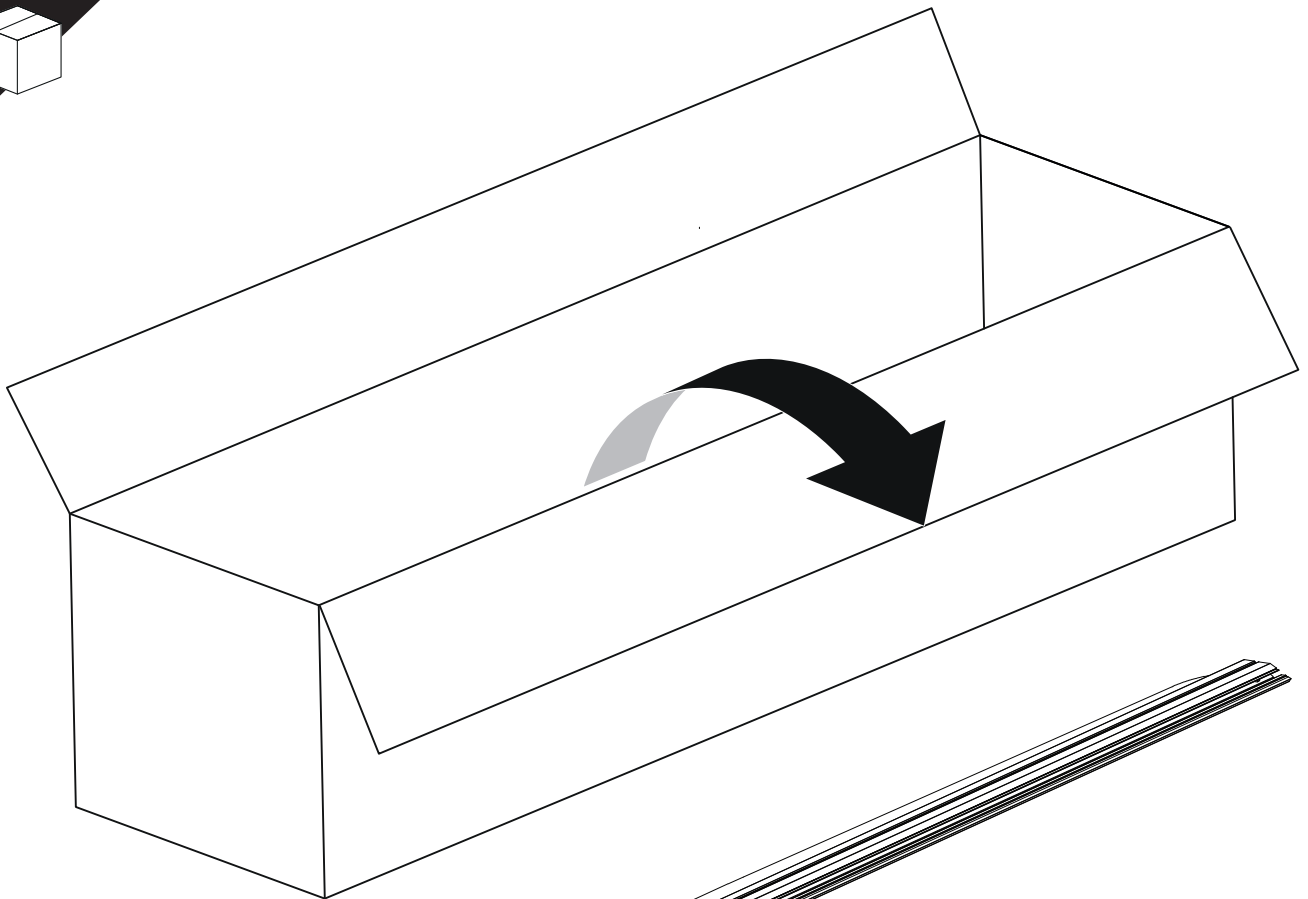
INSTALLATION  
MANUAL  
+S-KIT



OWNERS  
MANUAL



x1

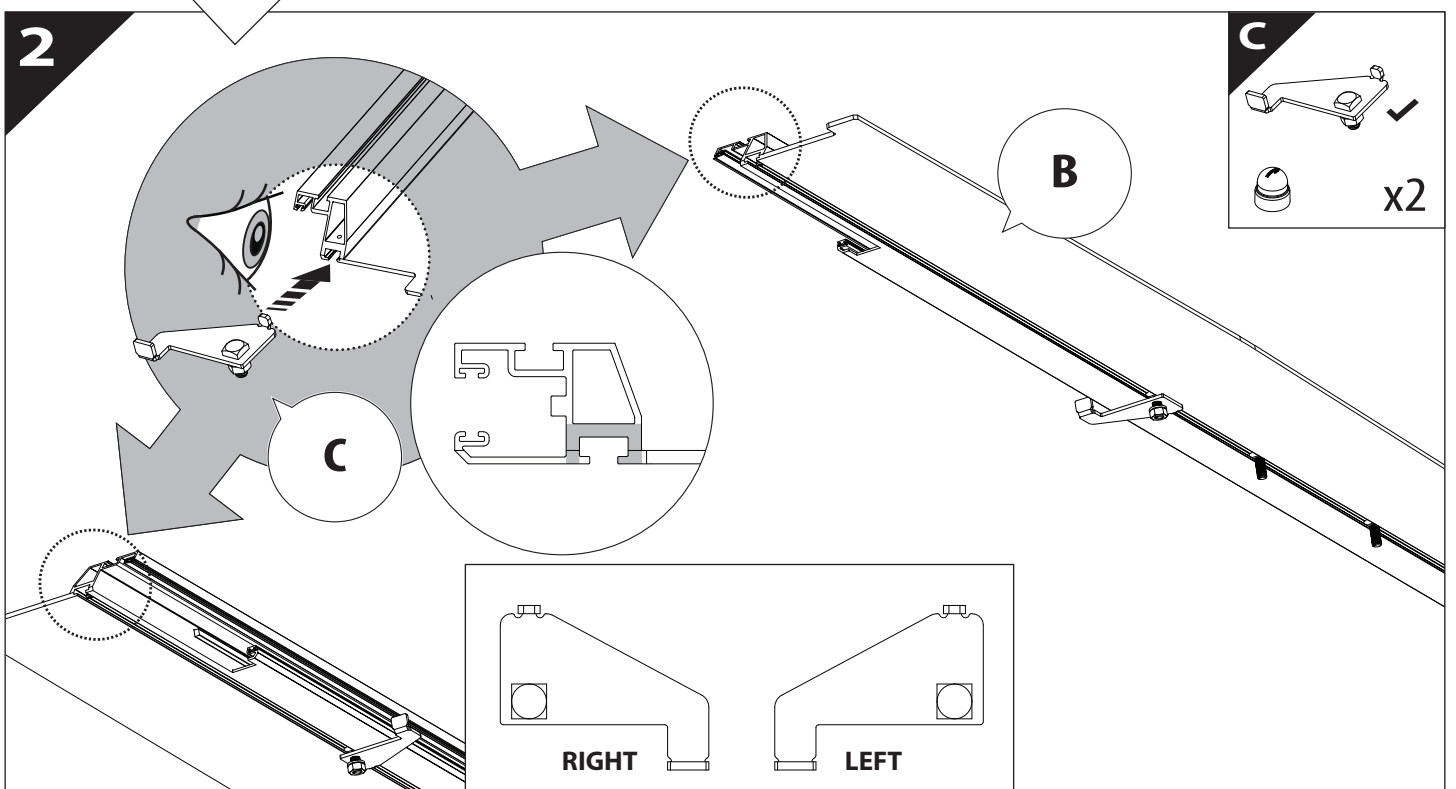
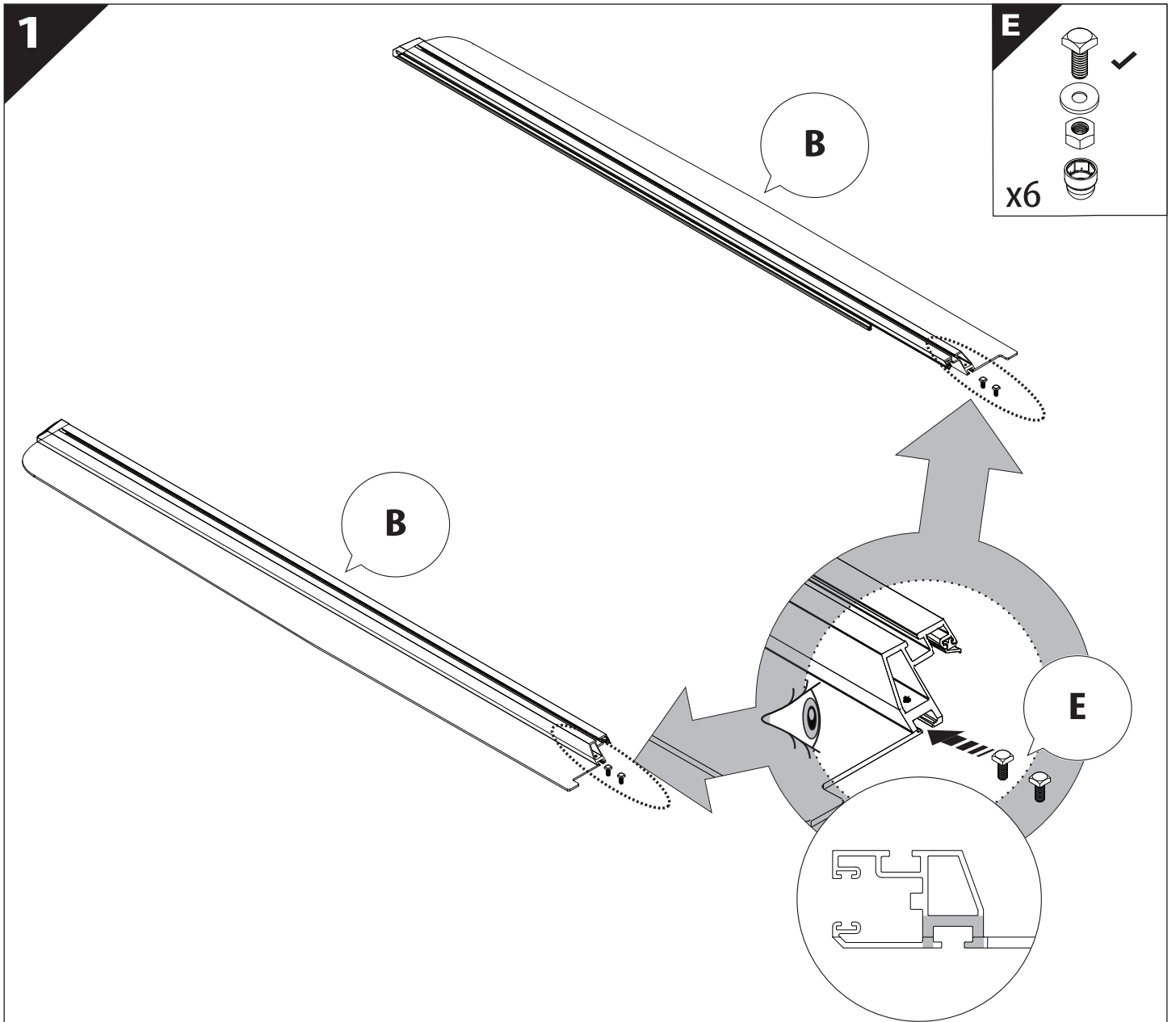


**B**

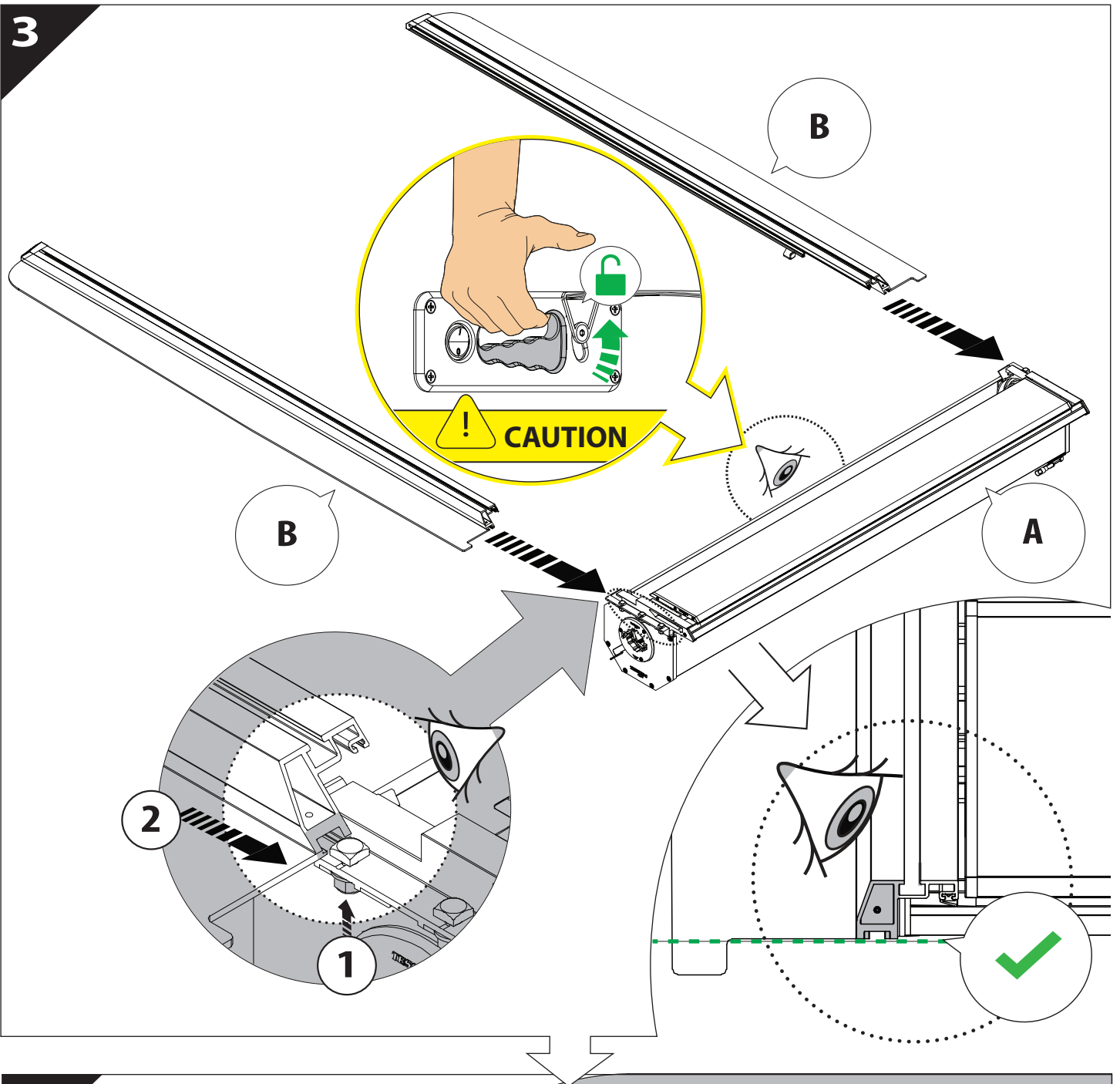
**A**

**KITS**

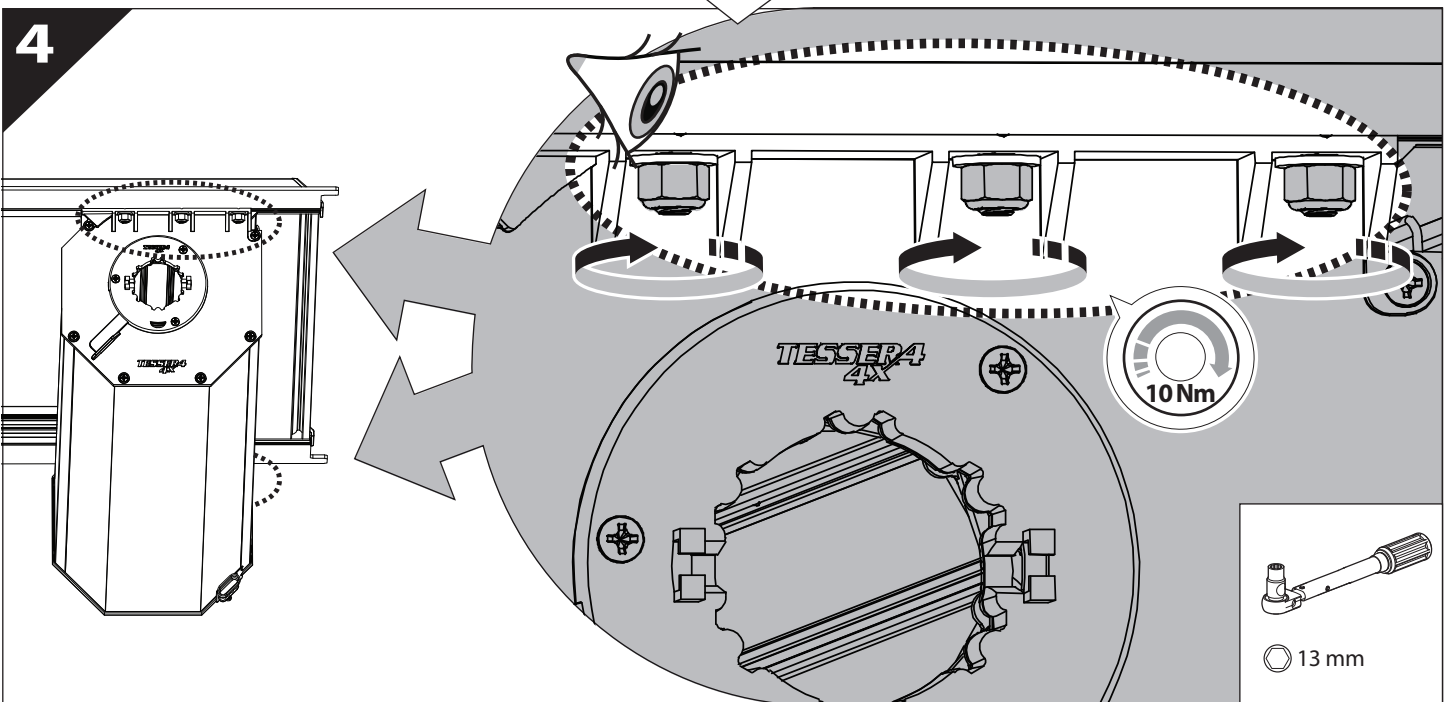
**L**

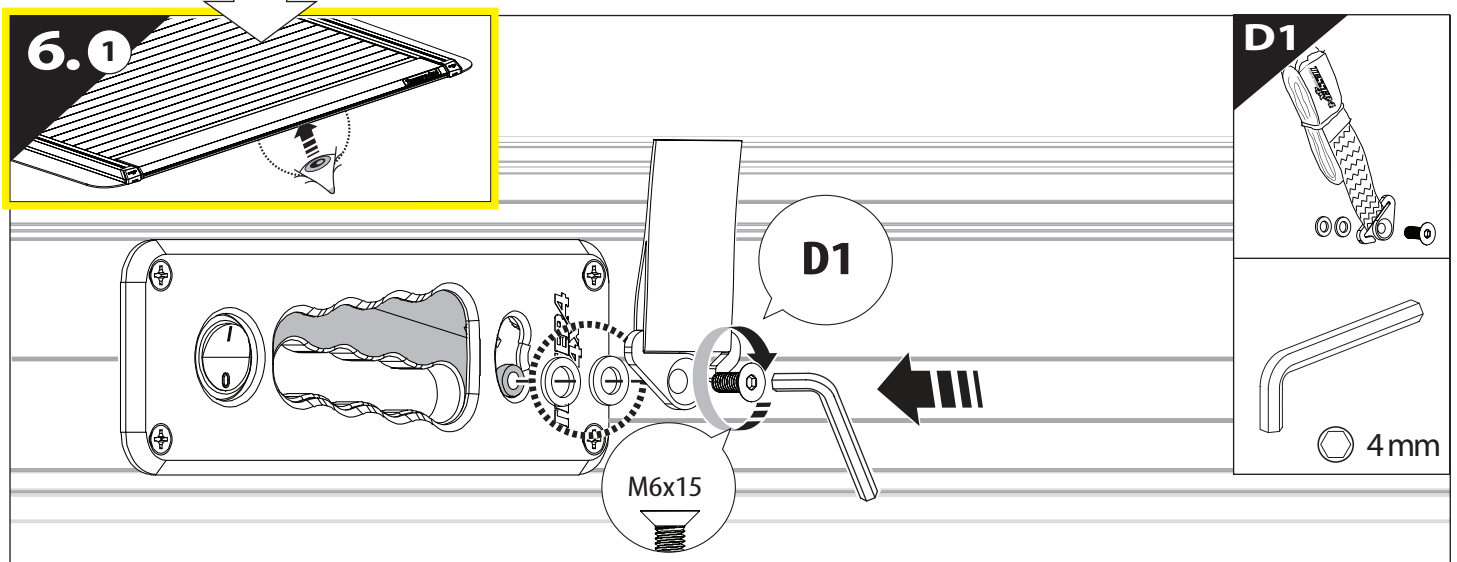
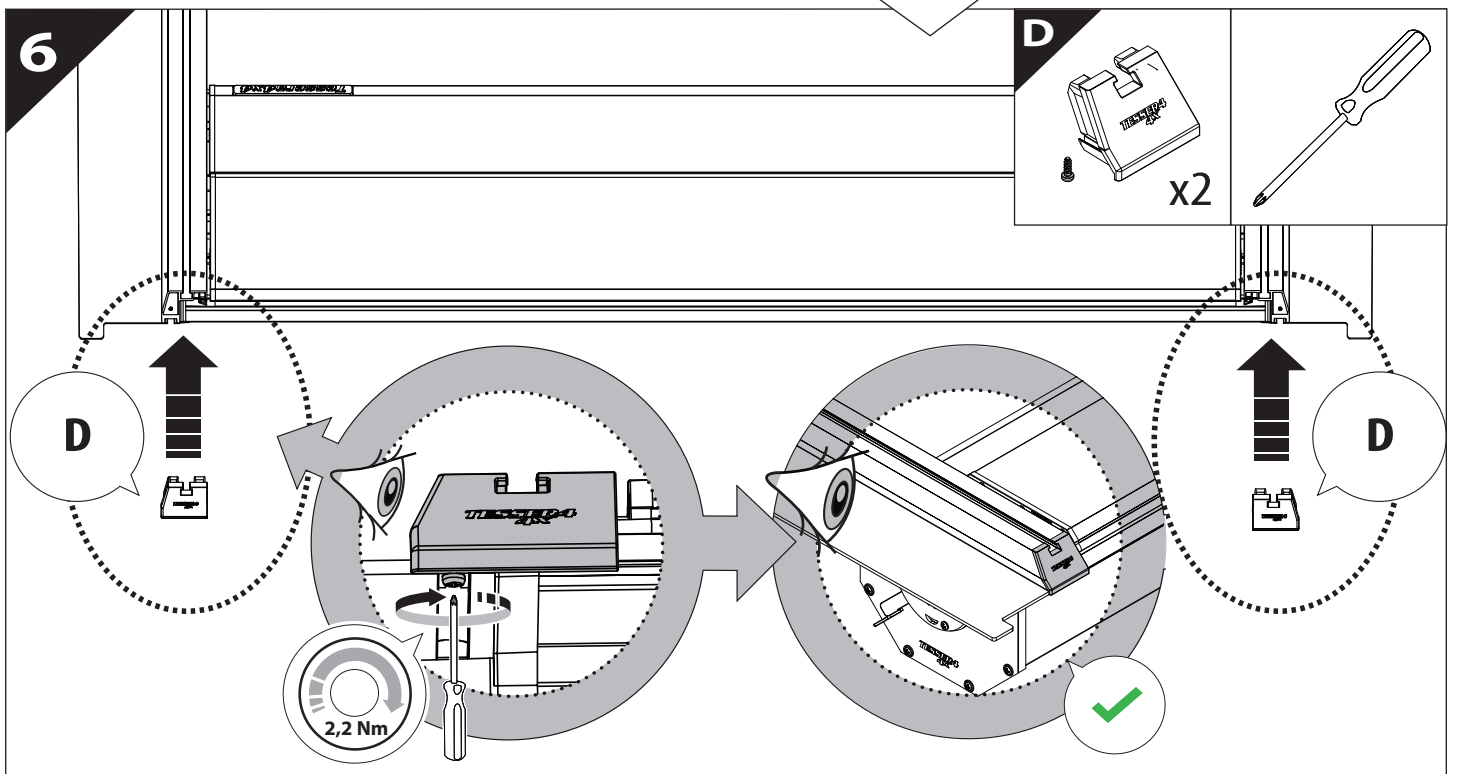
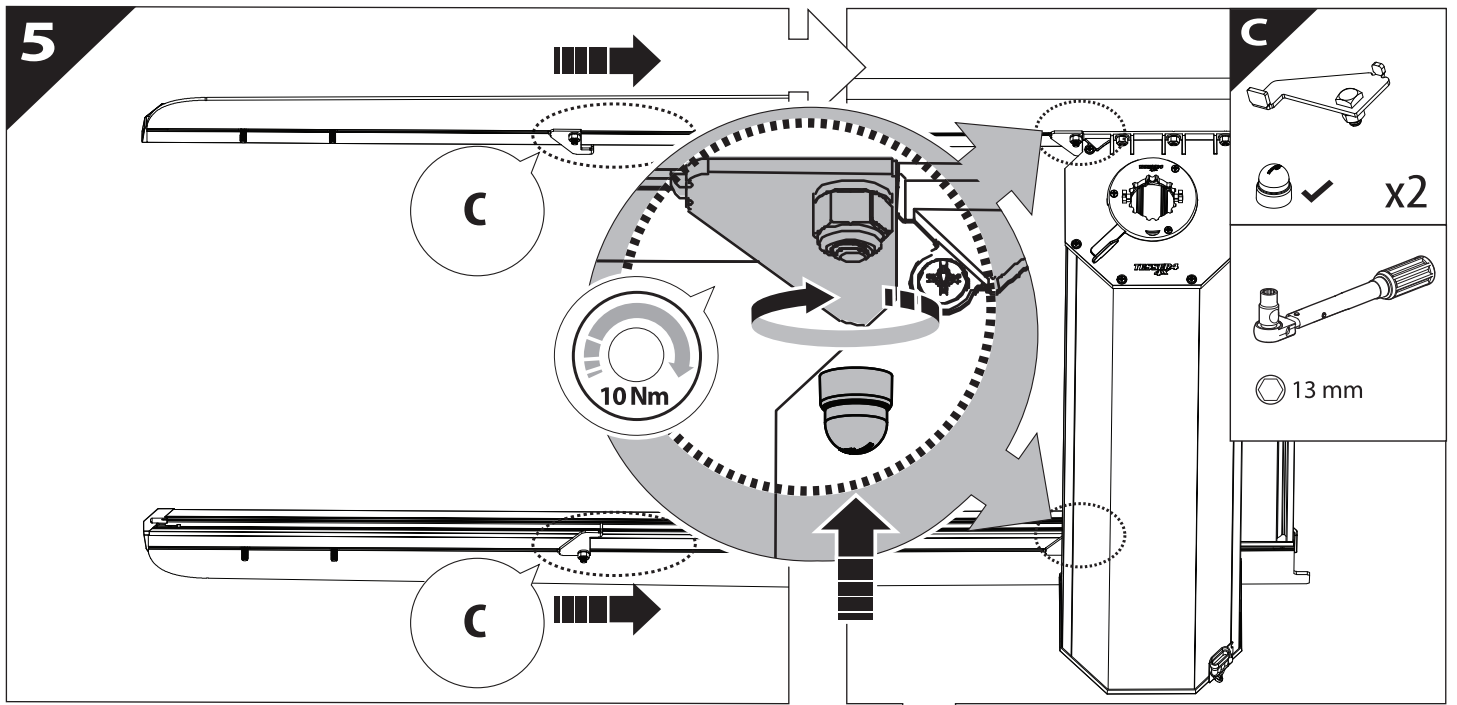


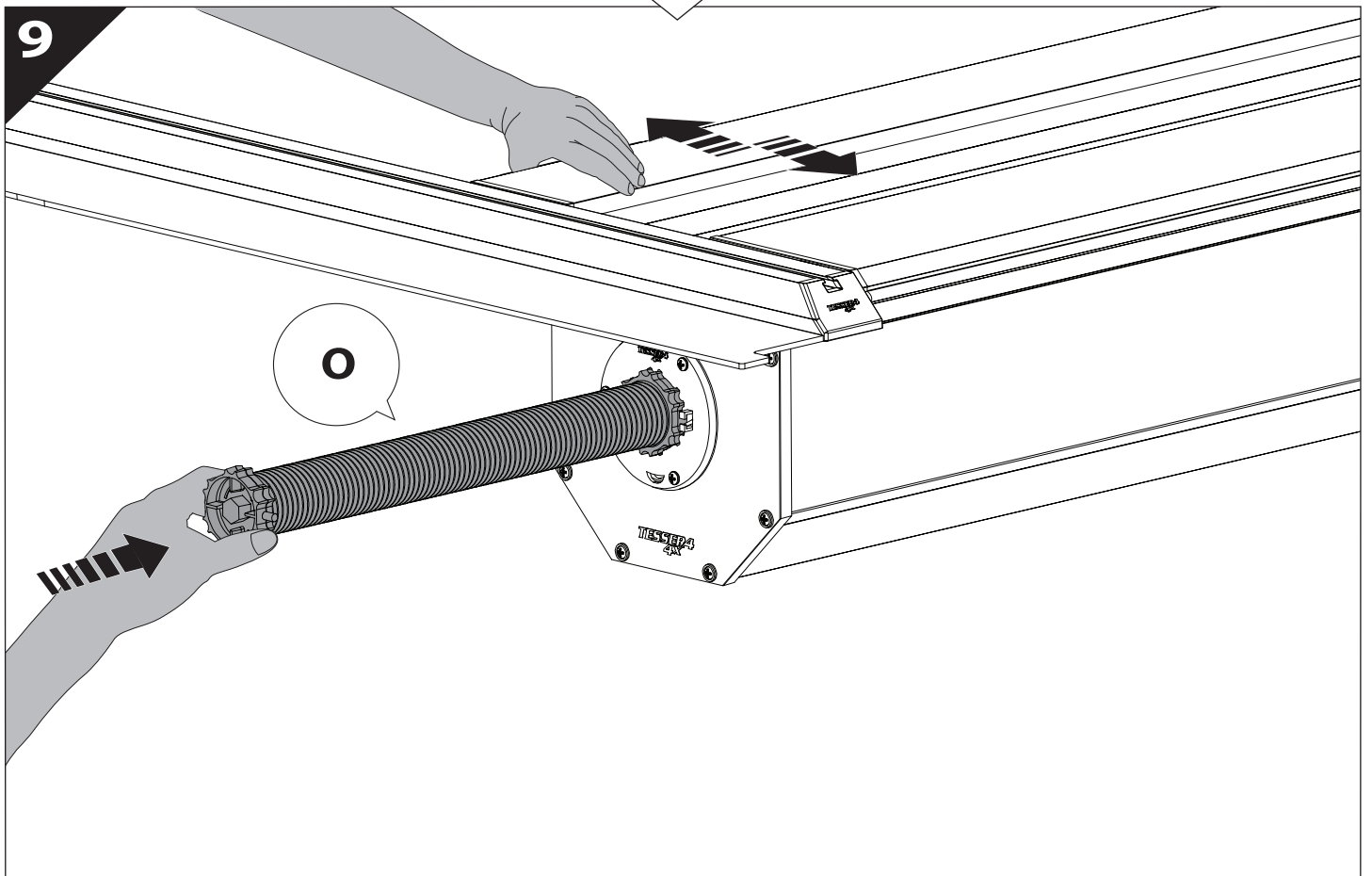
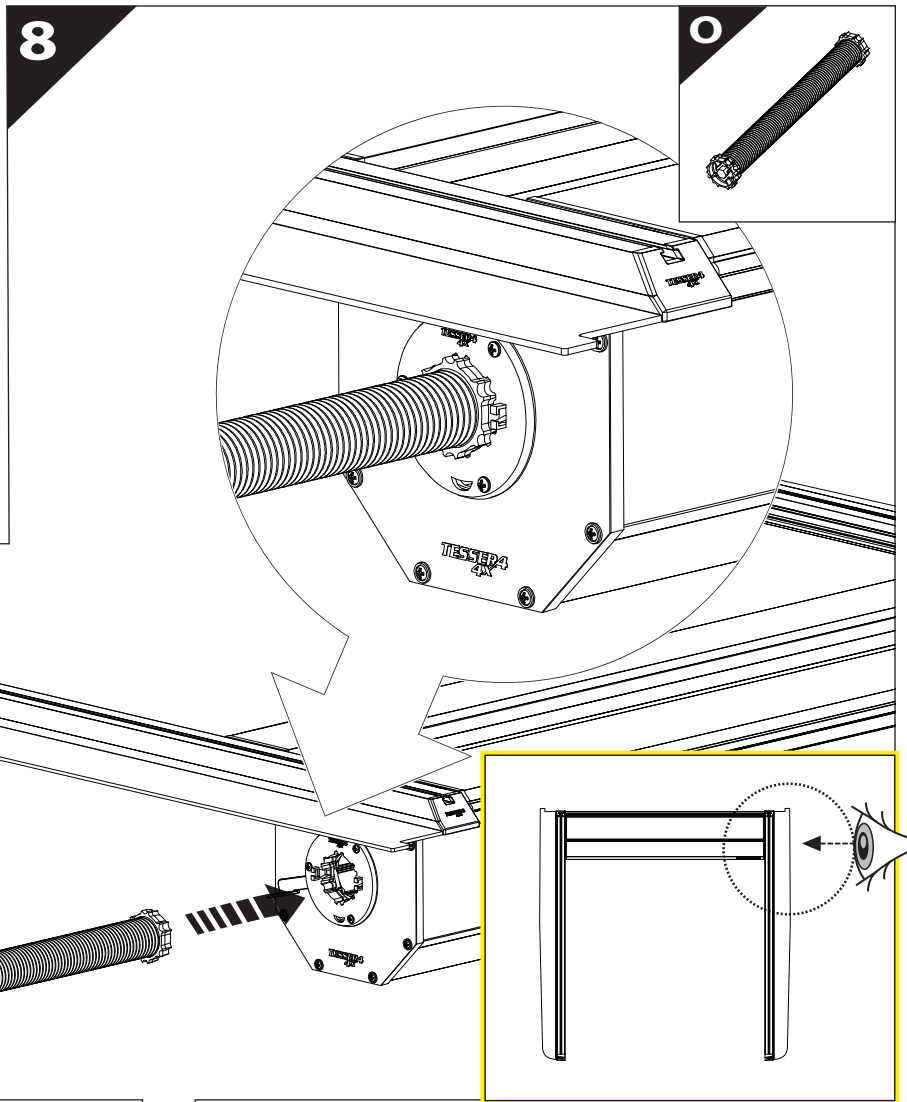
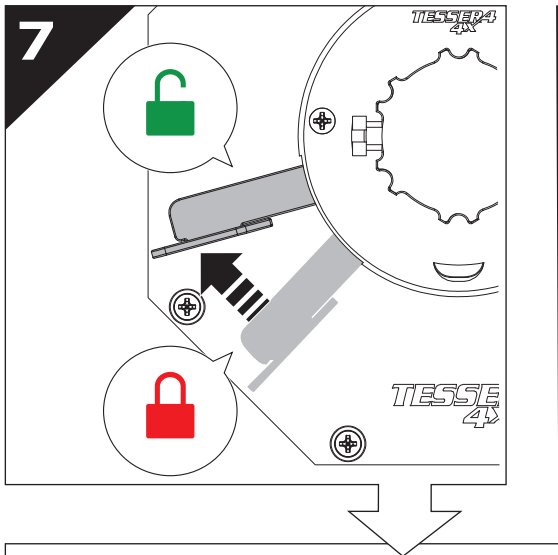
3



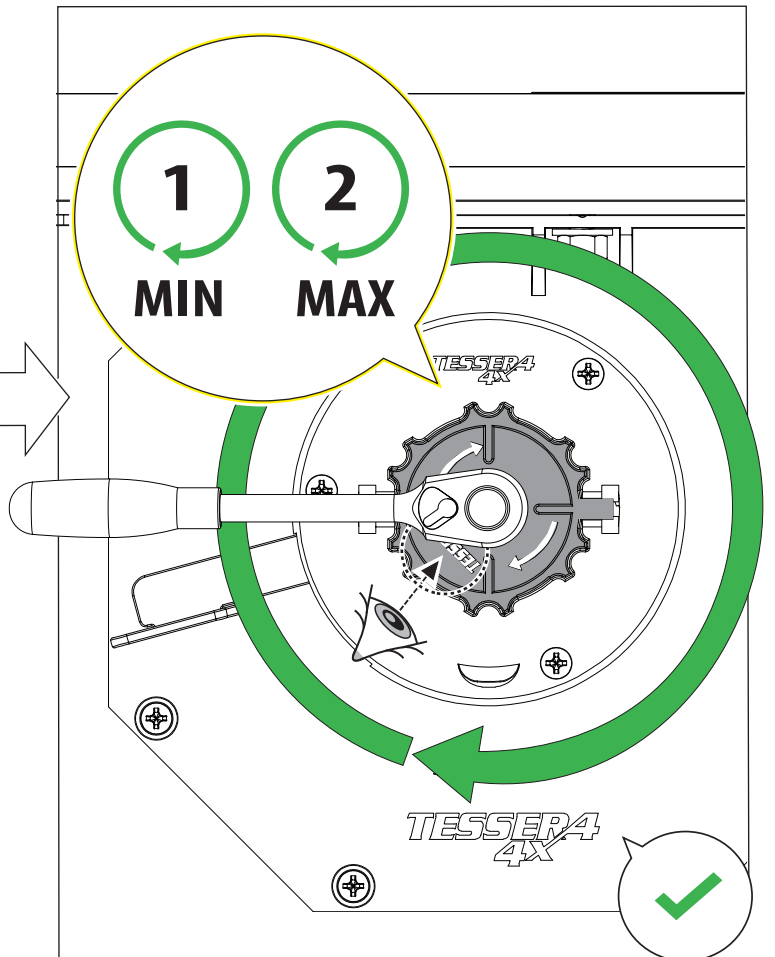
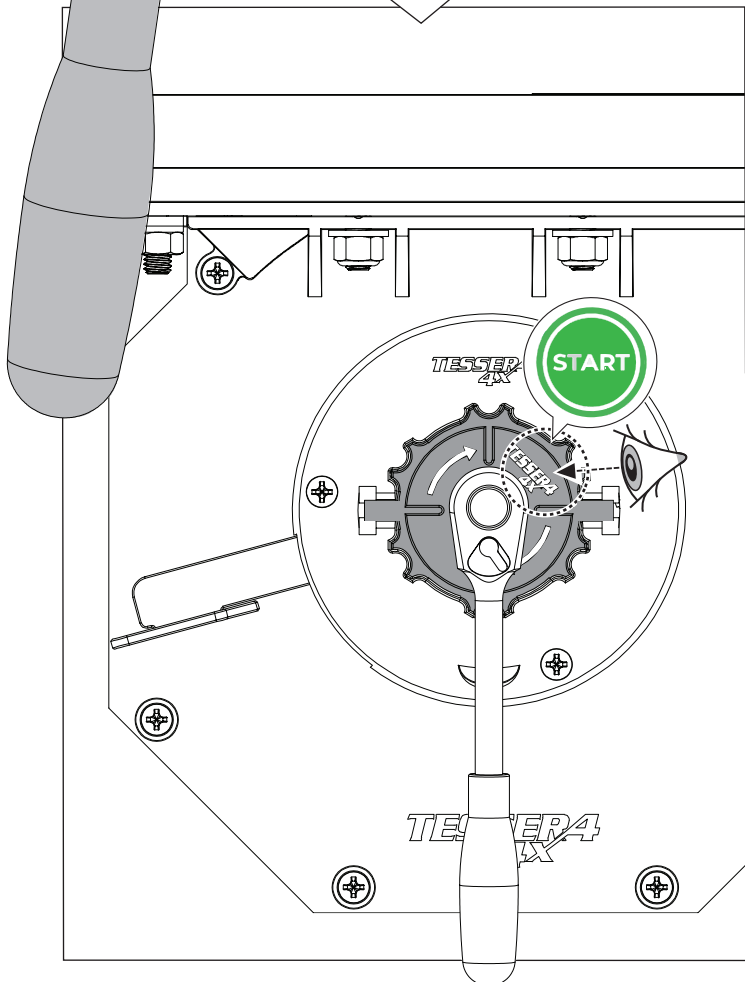
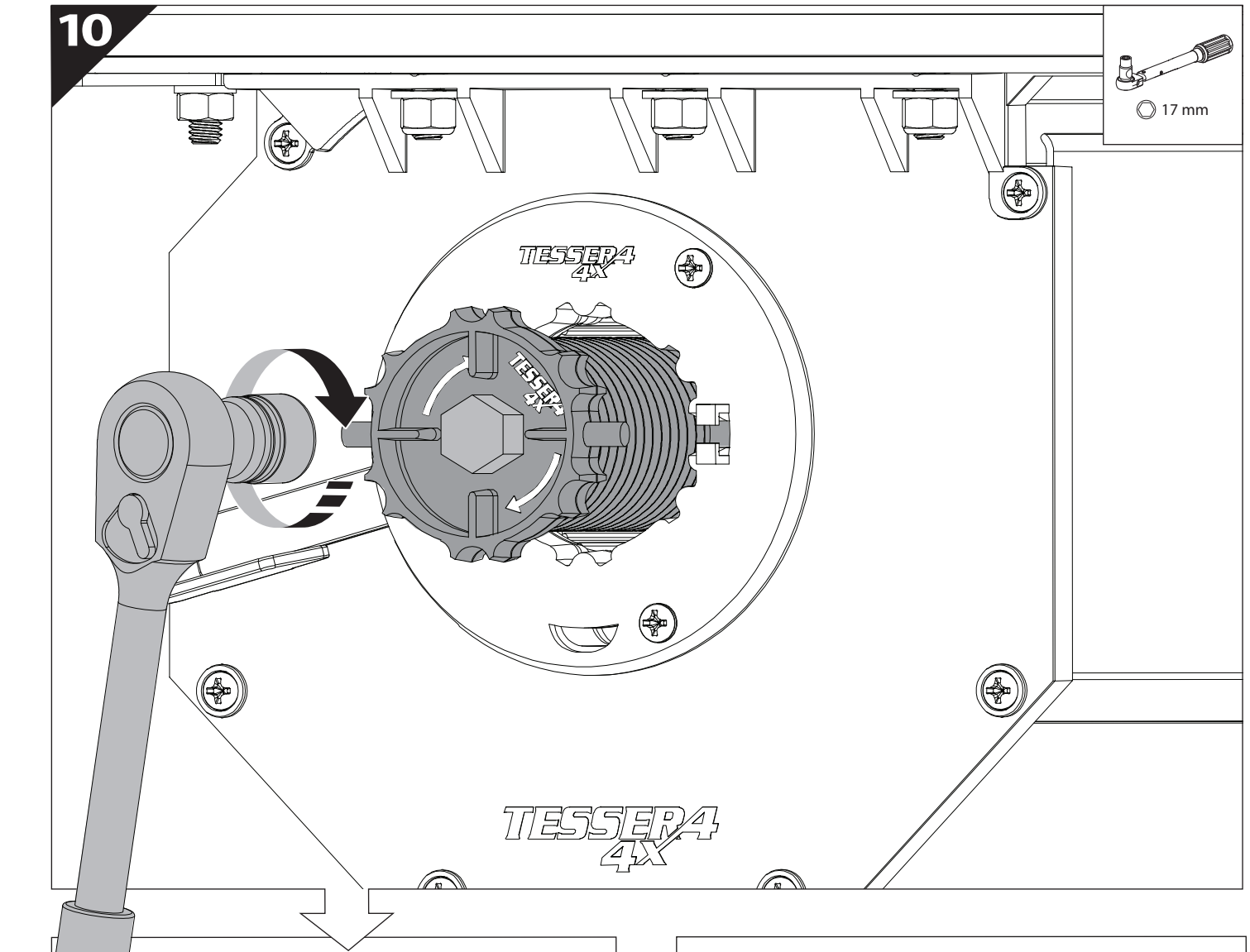
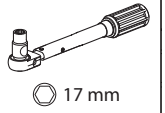
4



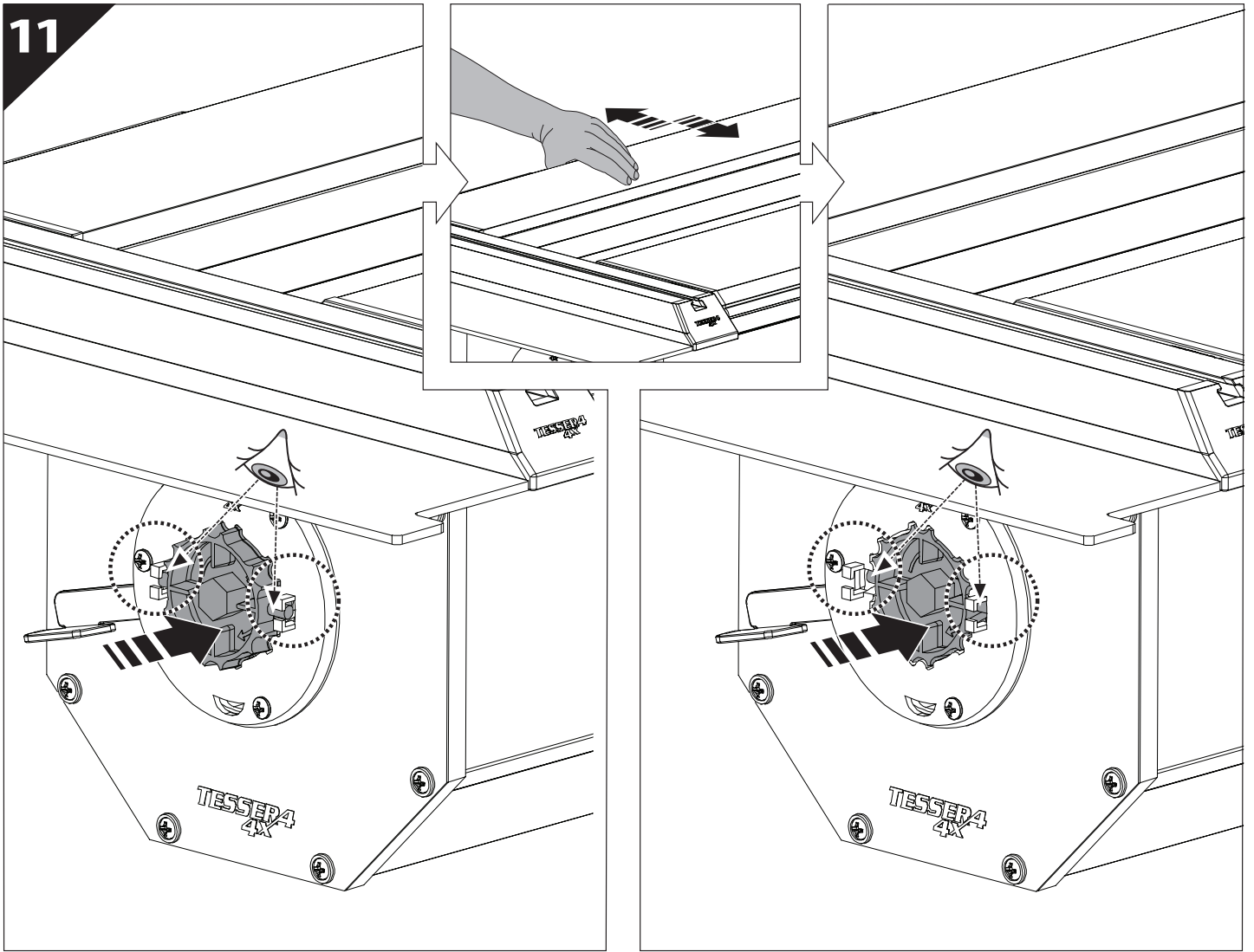




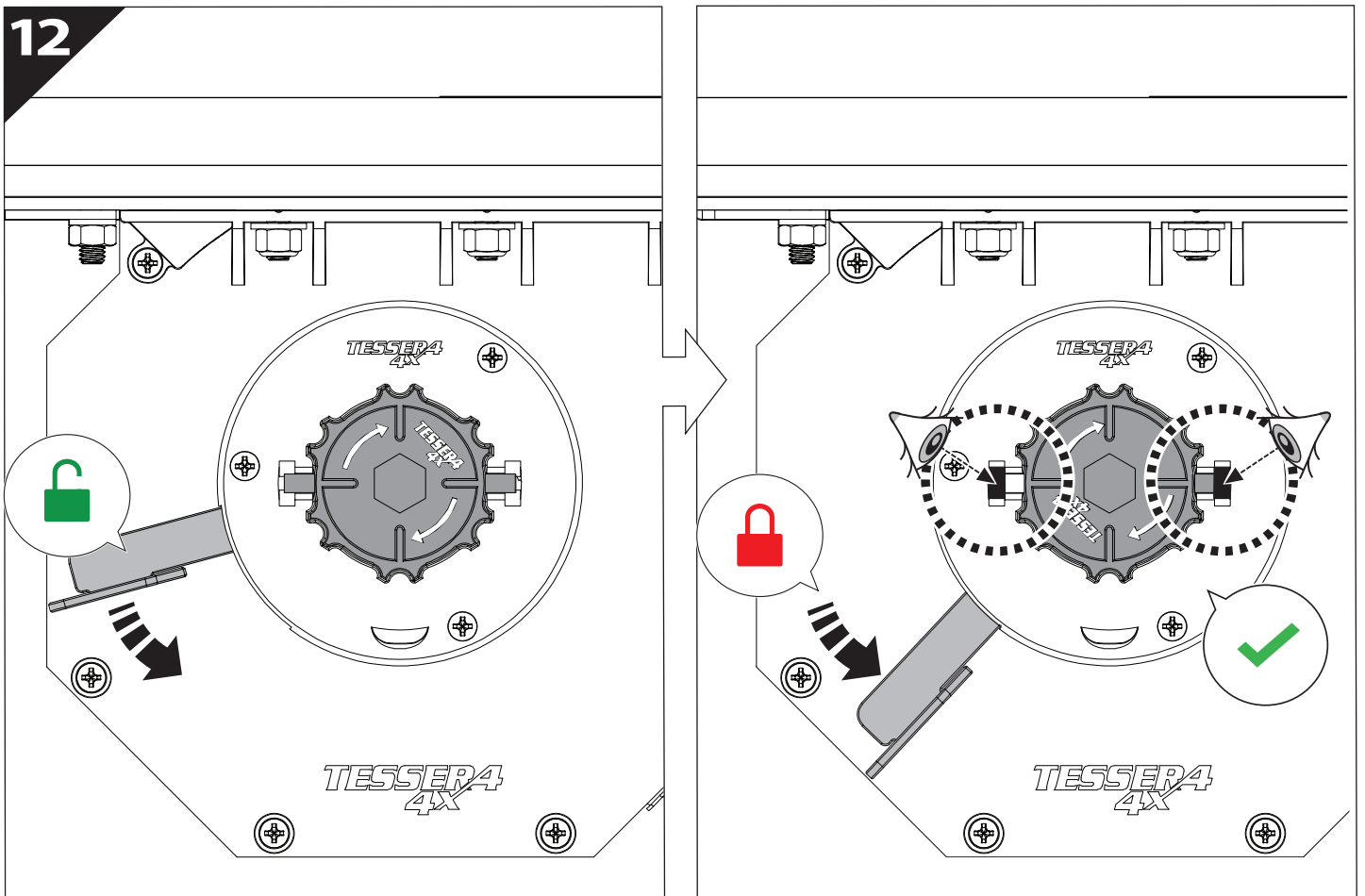
10

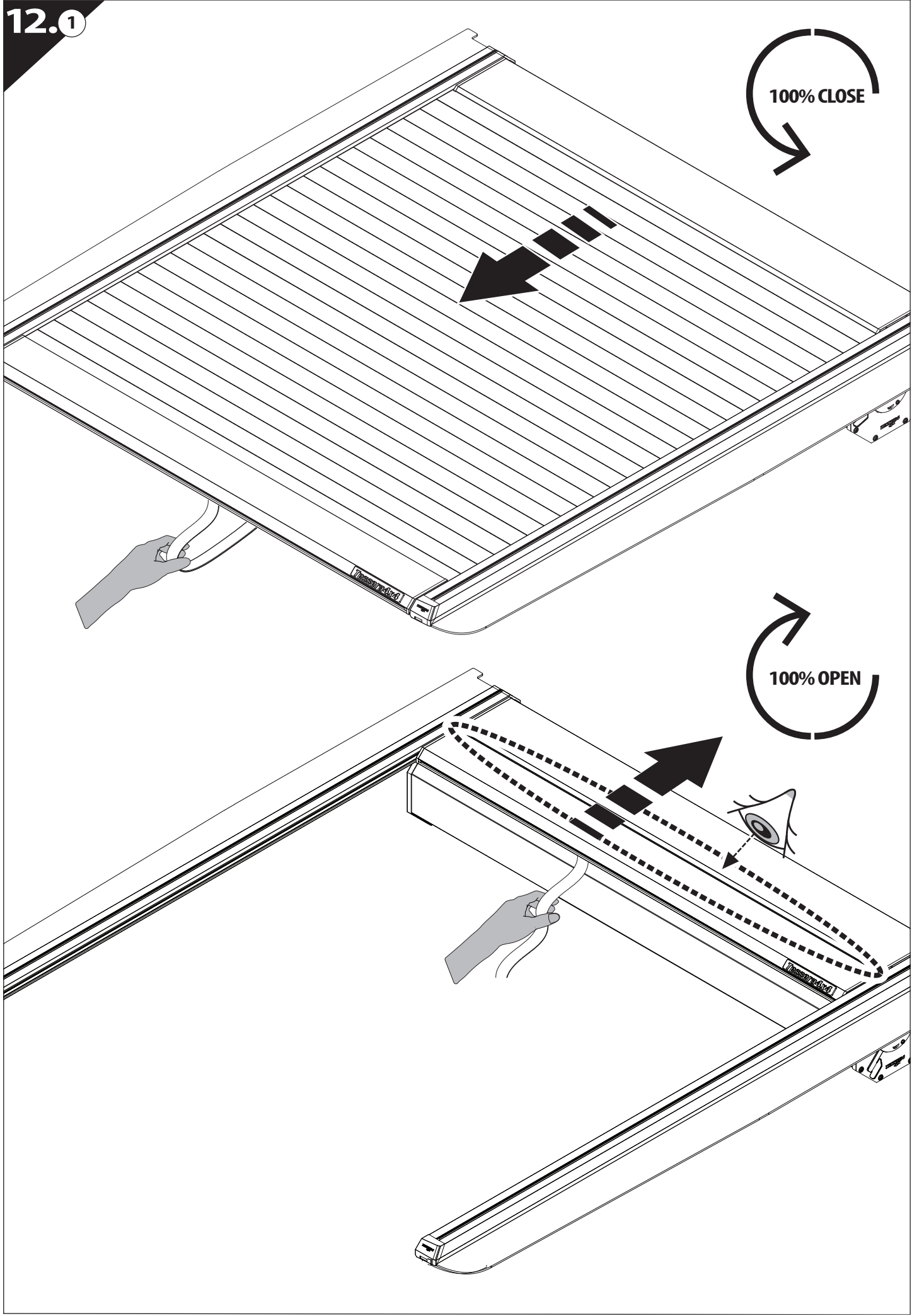


11

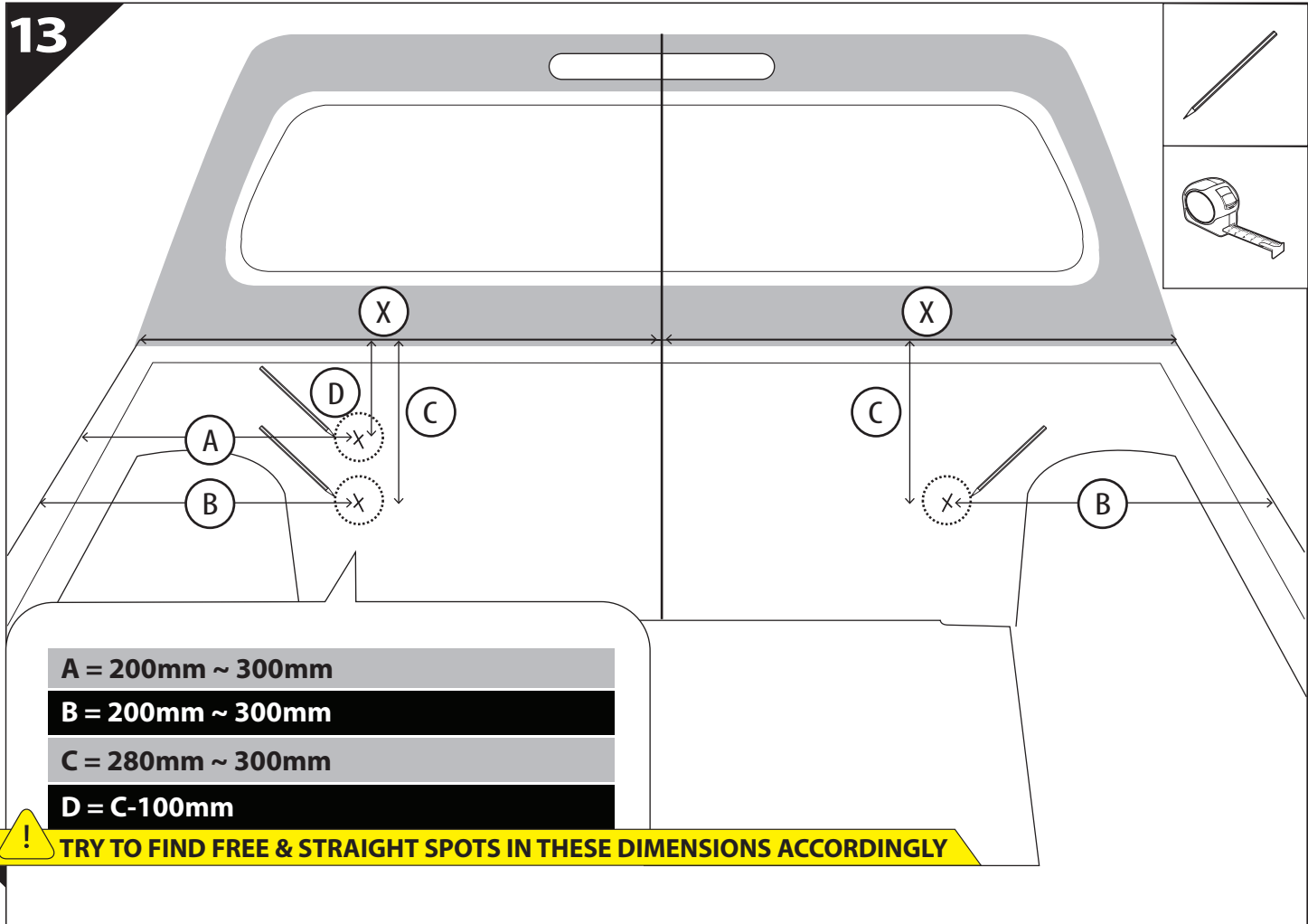


12

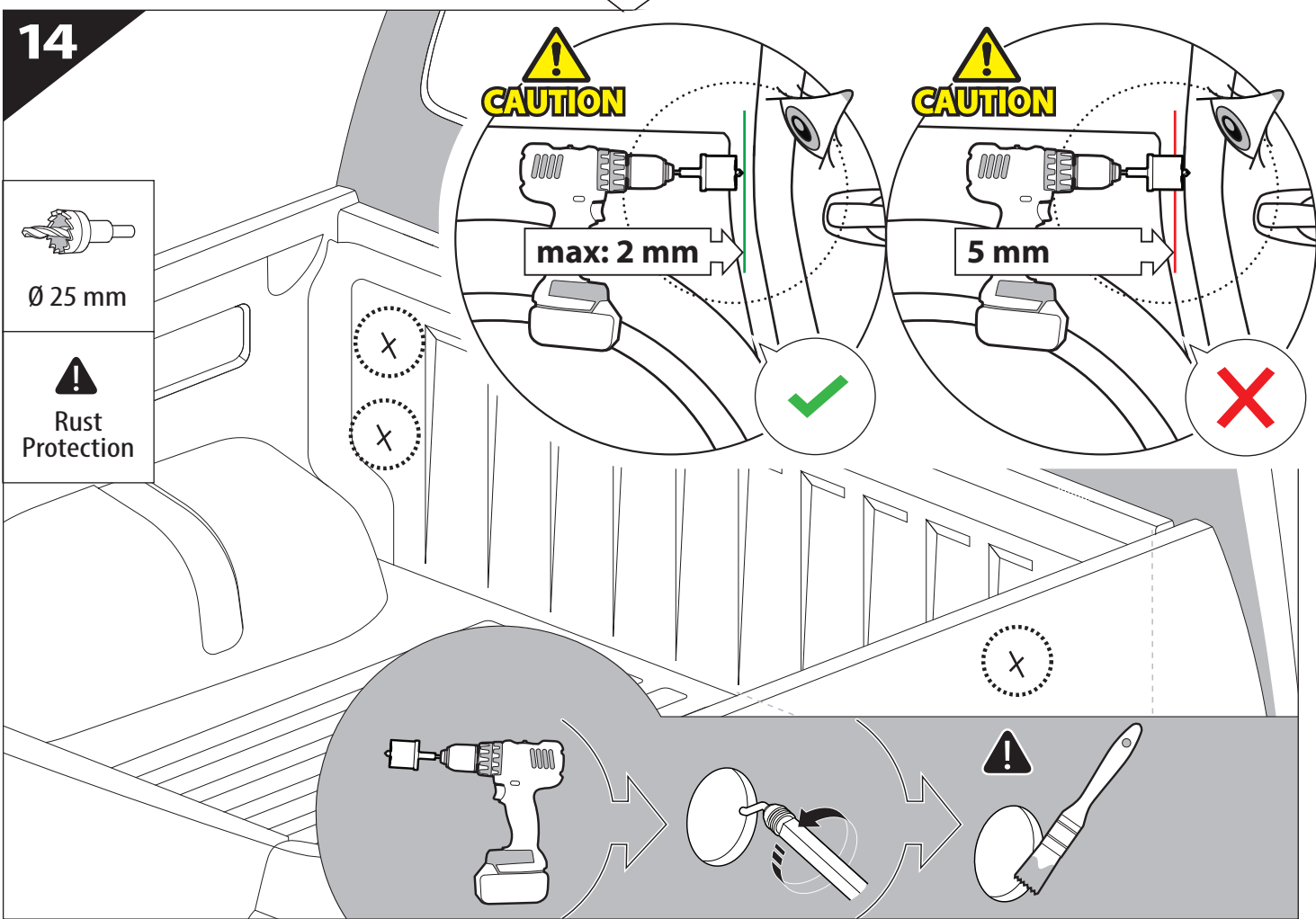


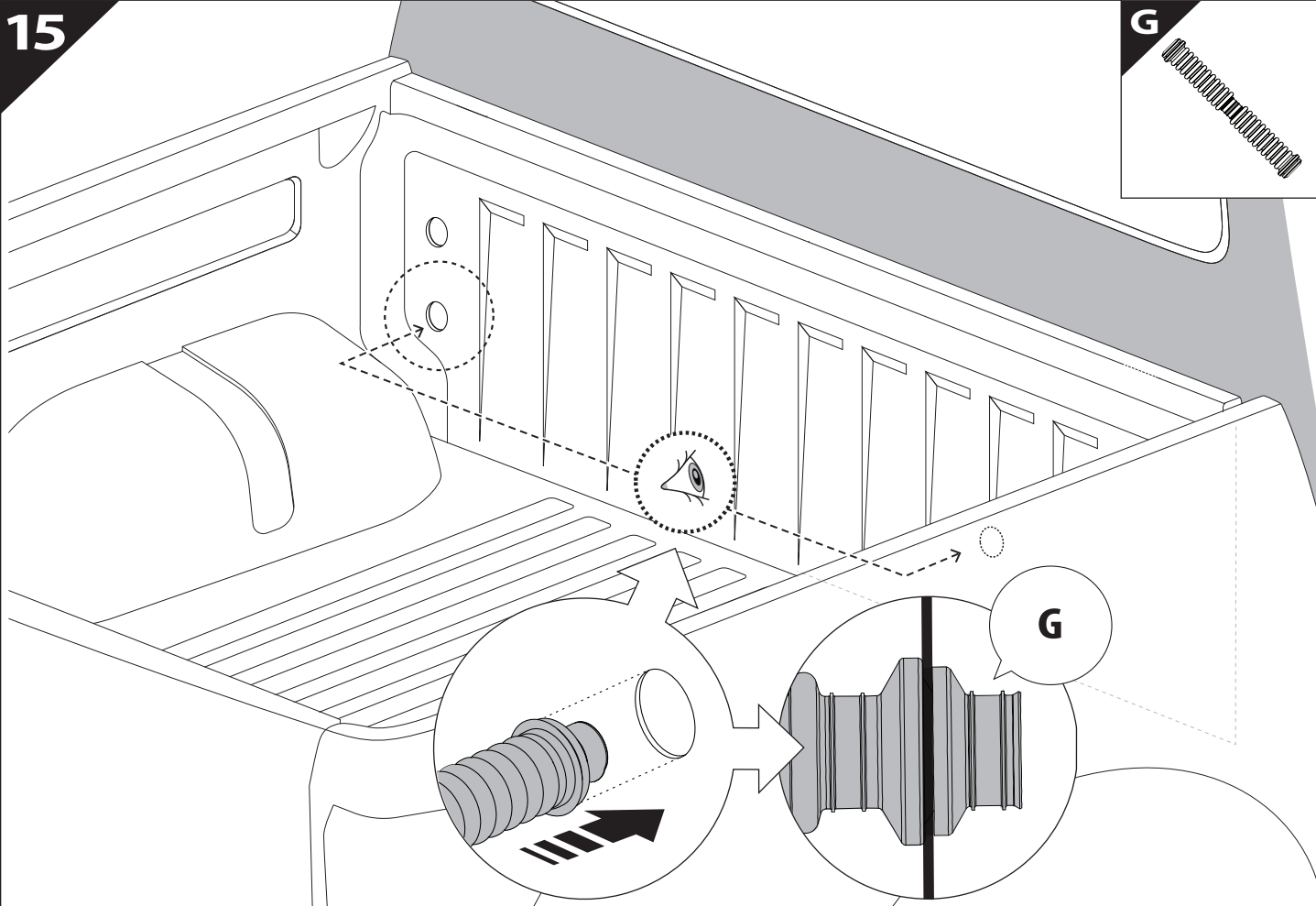


# 13

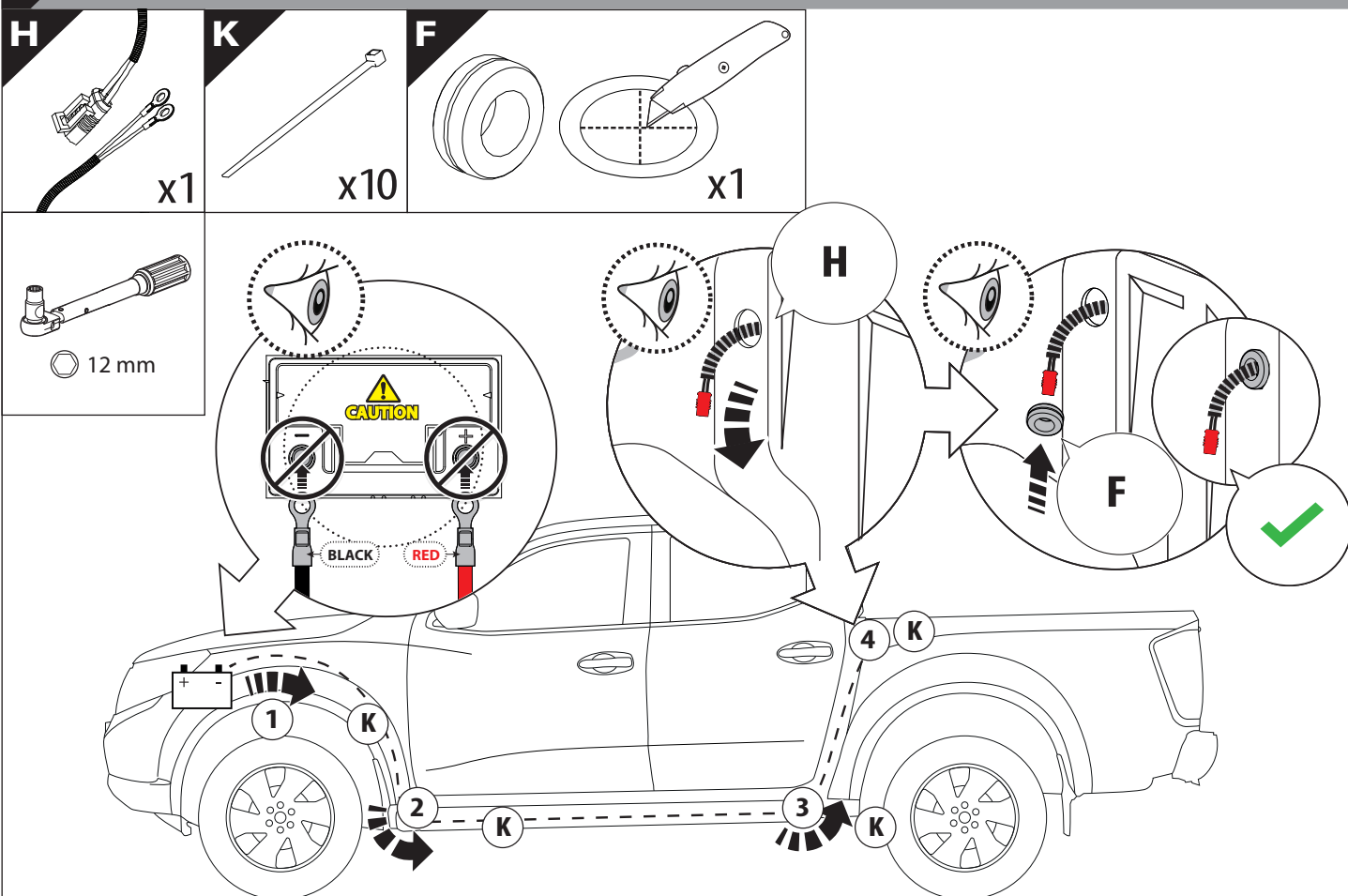


# 14



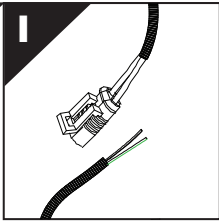


**16** Only to be installed by authorized personnel

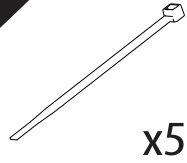


17

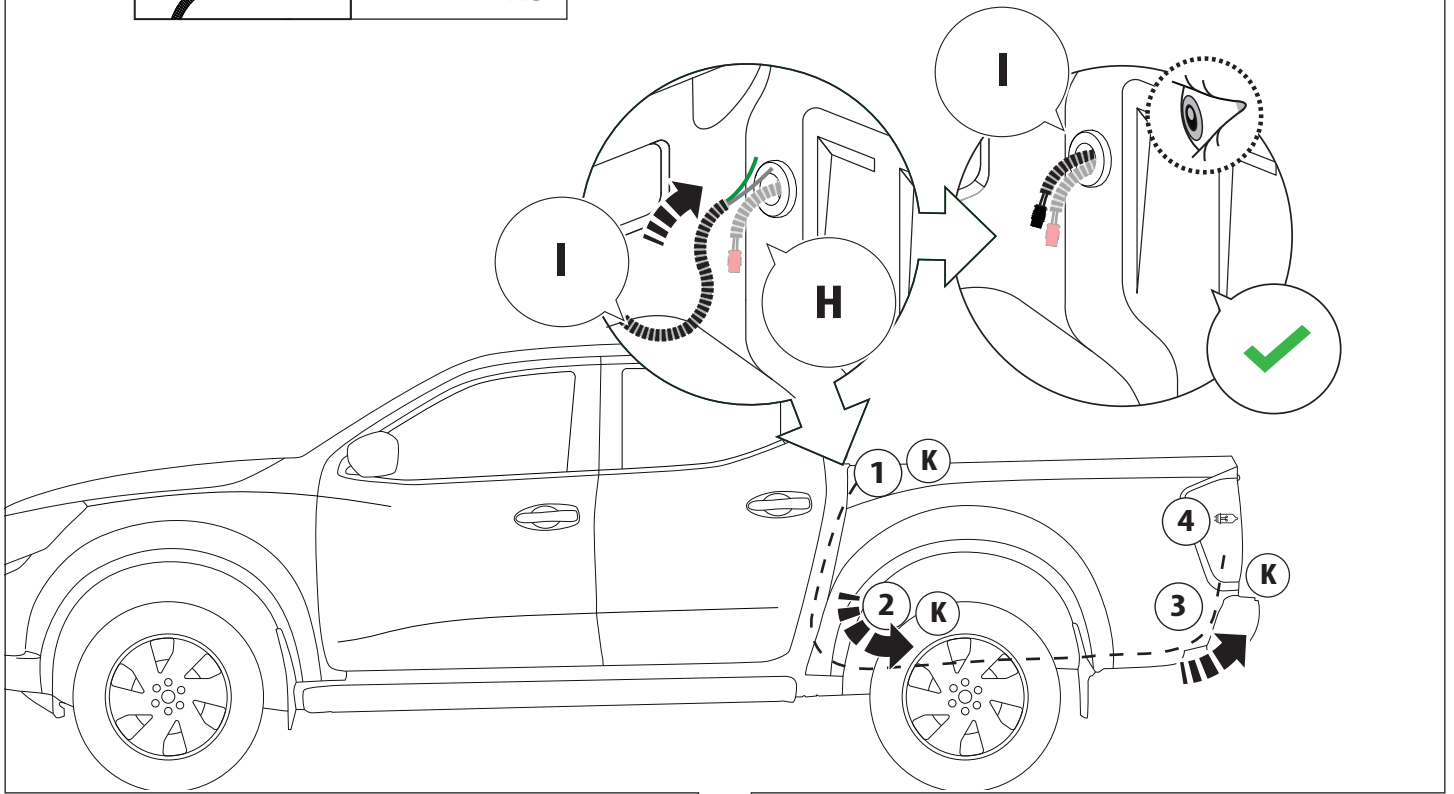
I



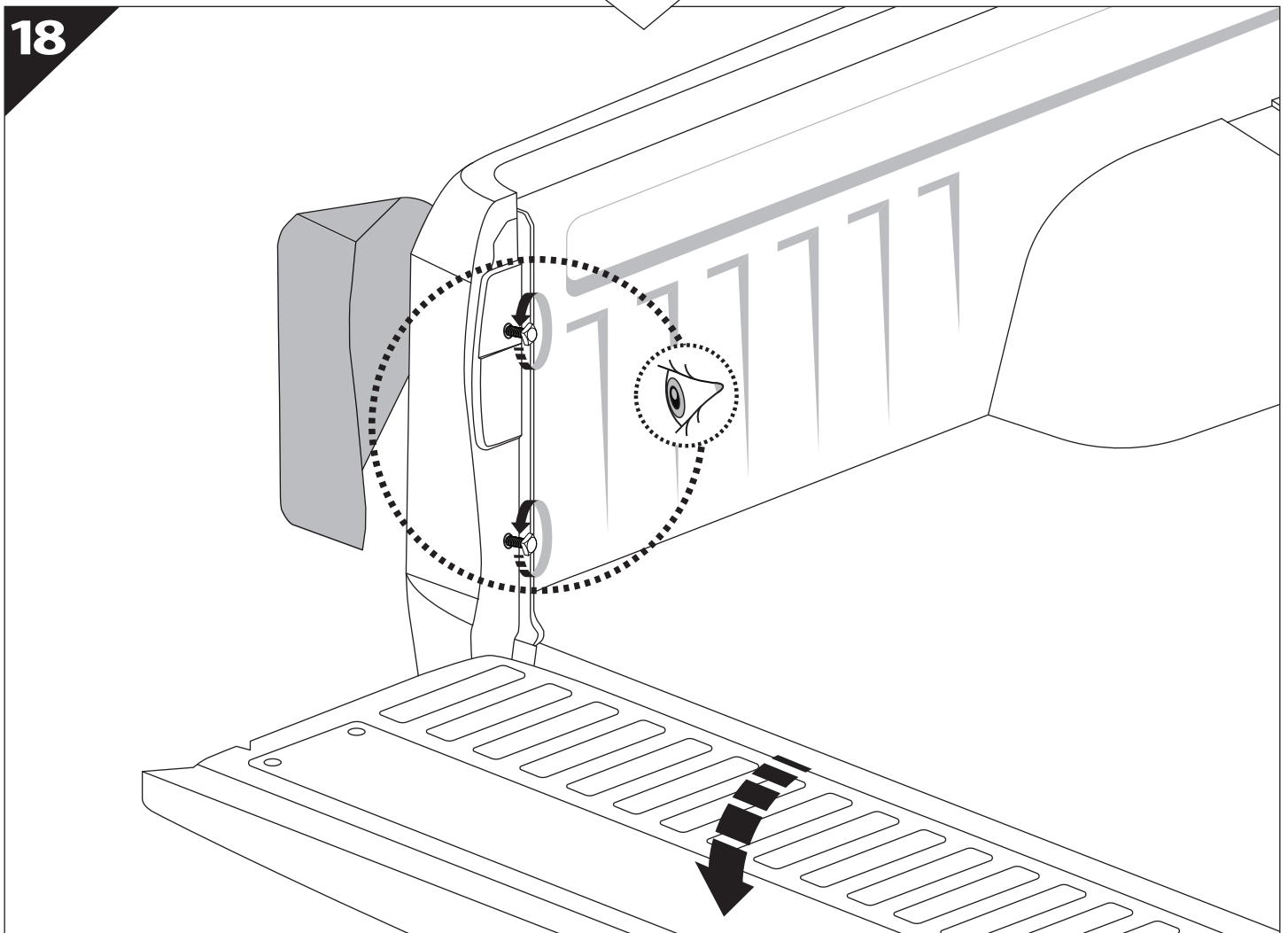
K



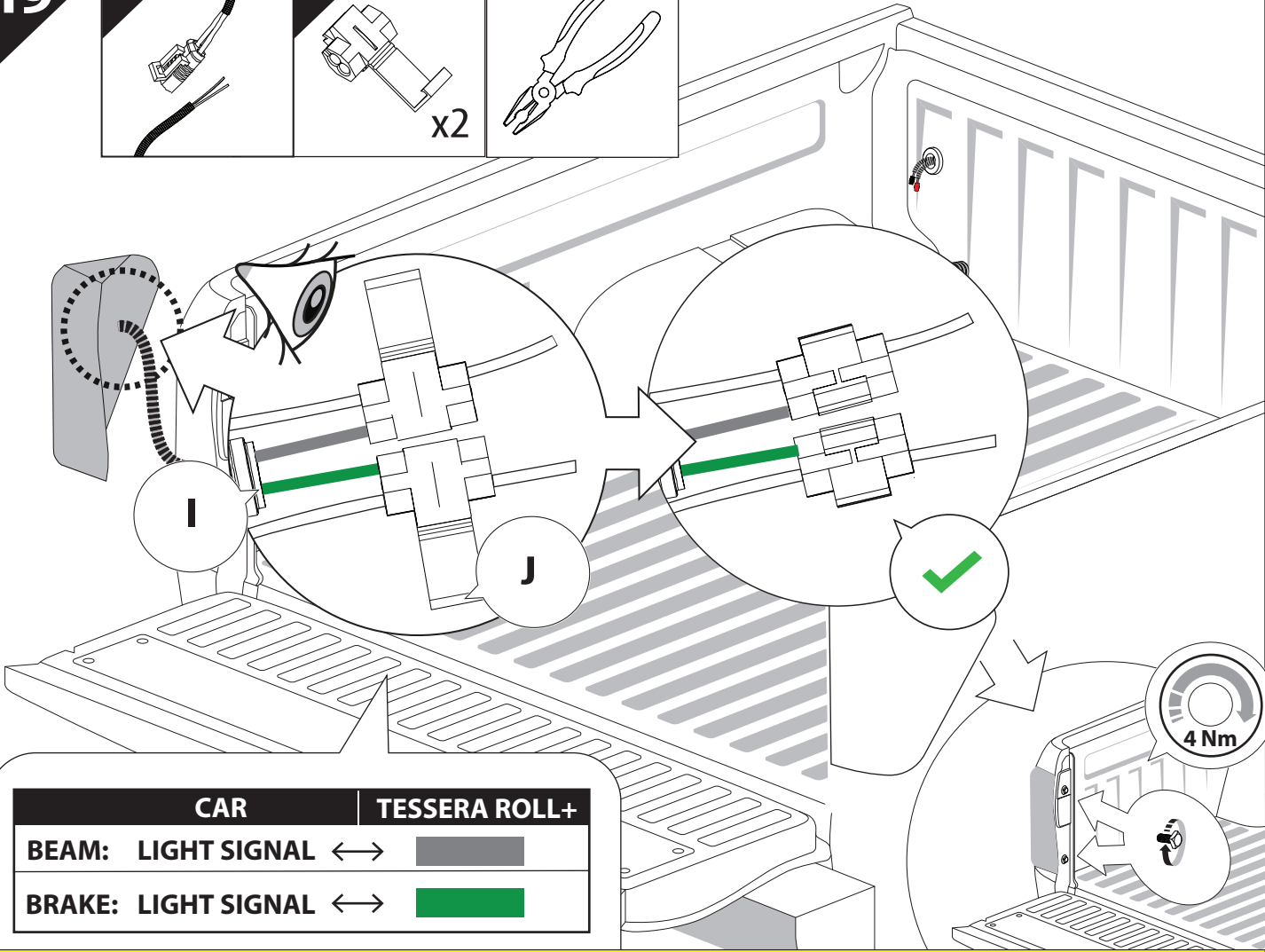
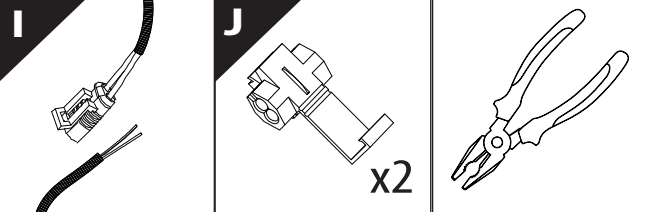
x5



18



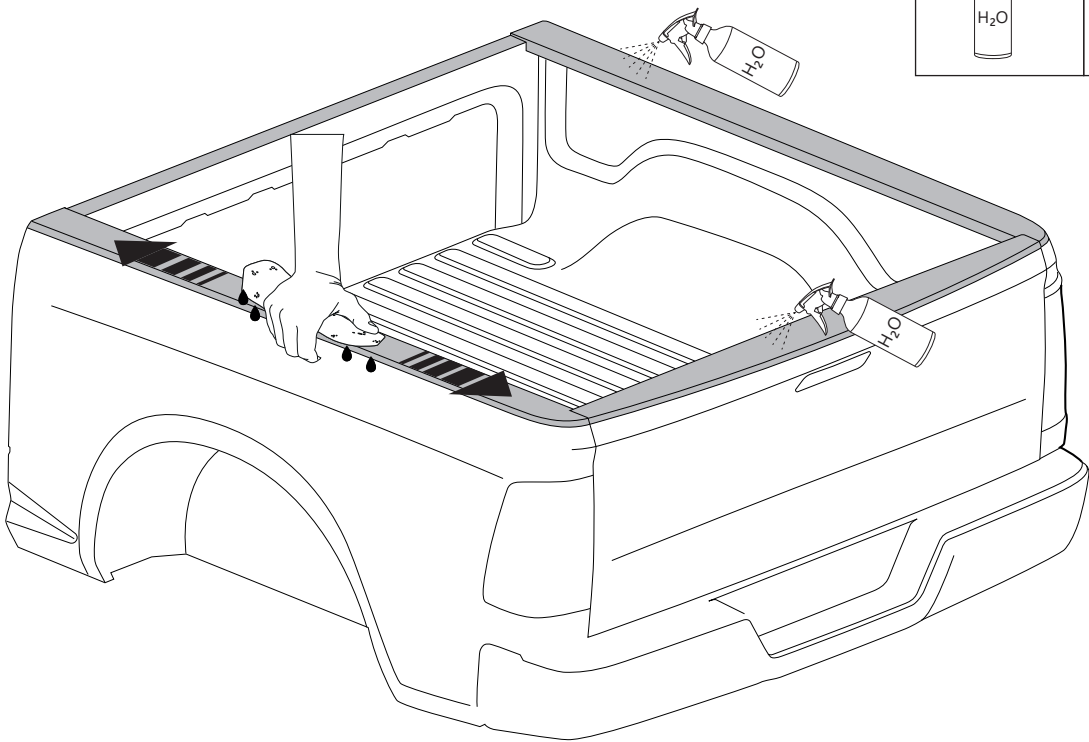
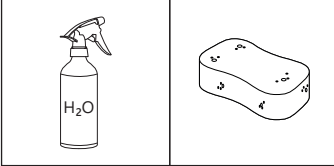
19

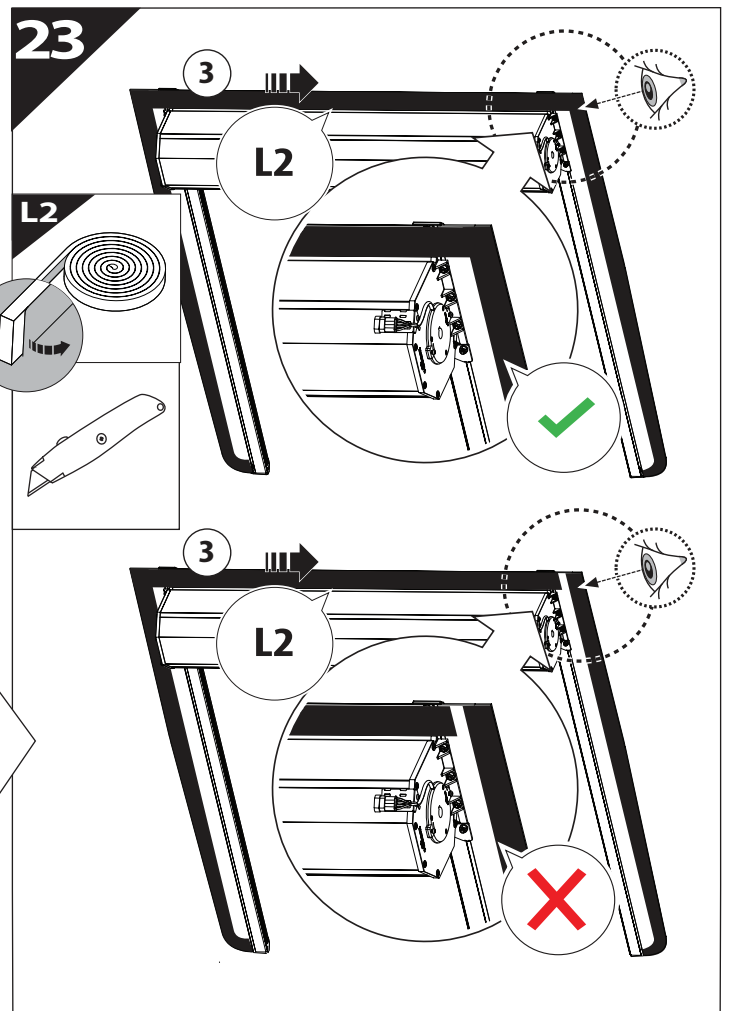
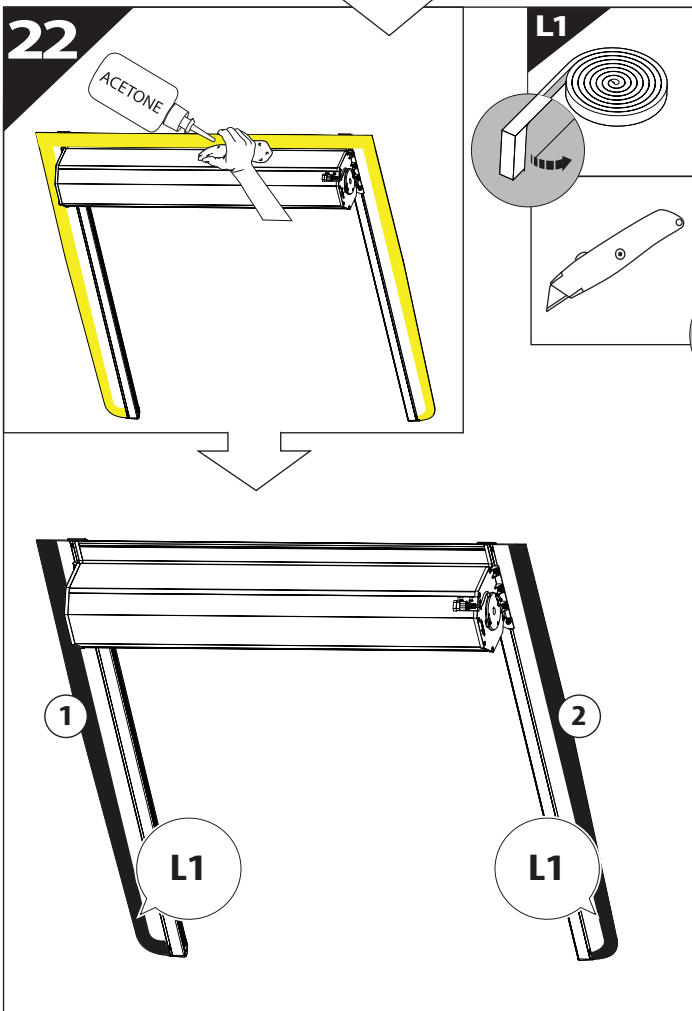
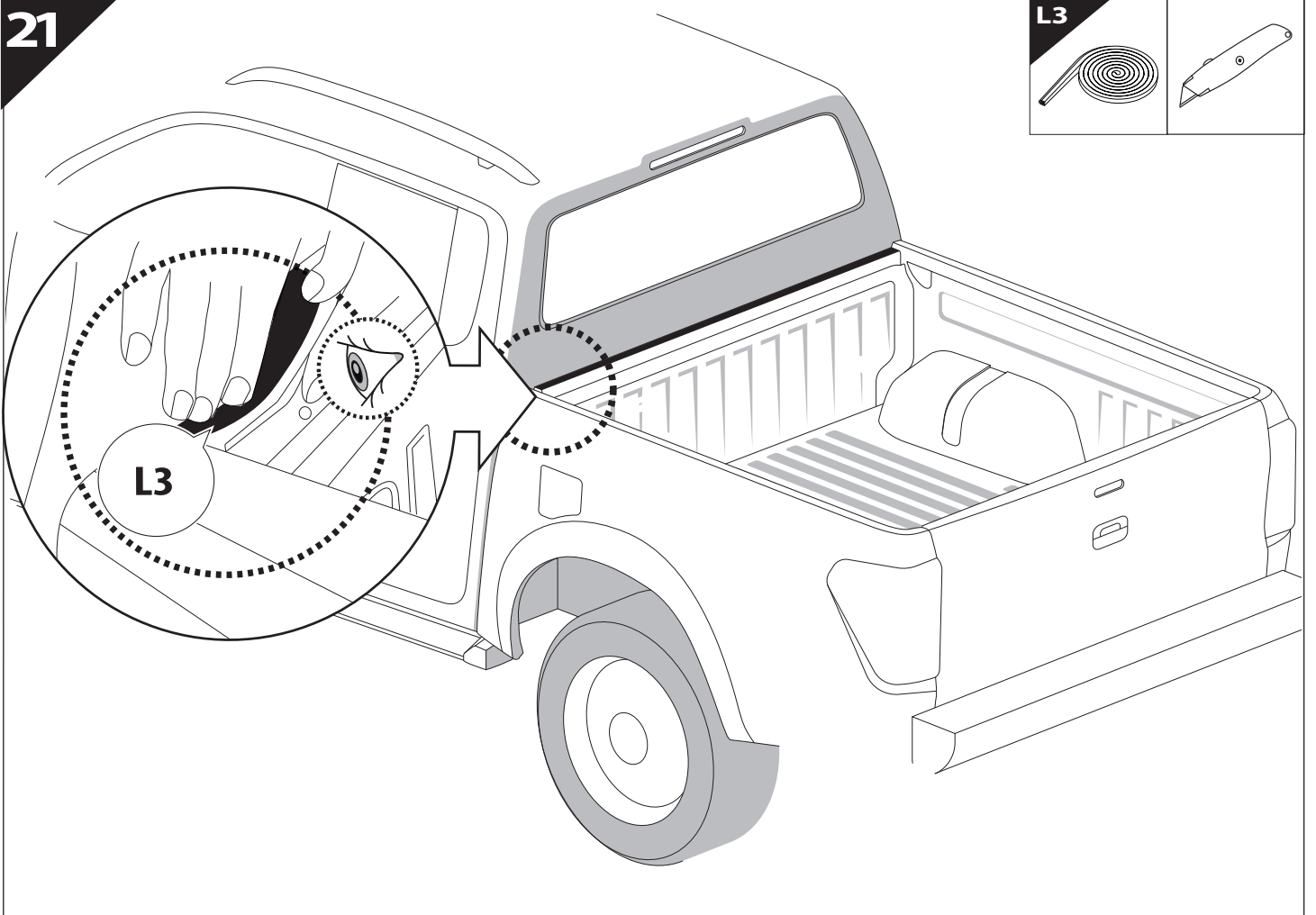


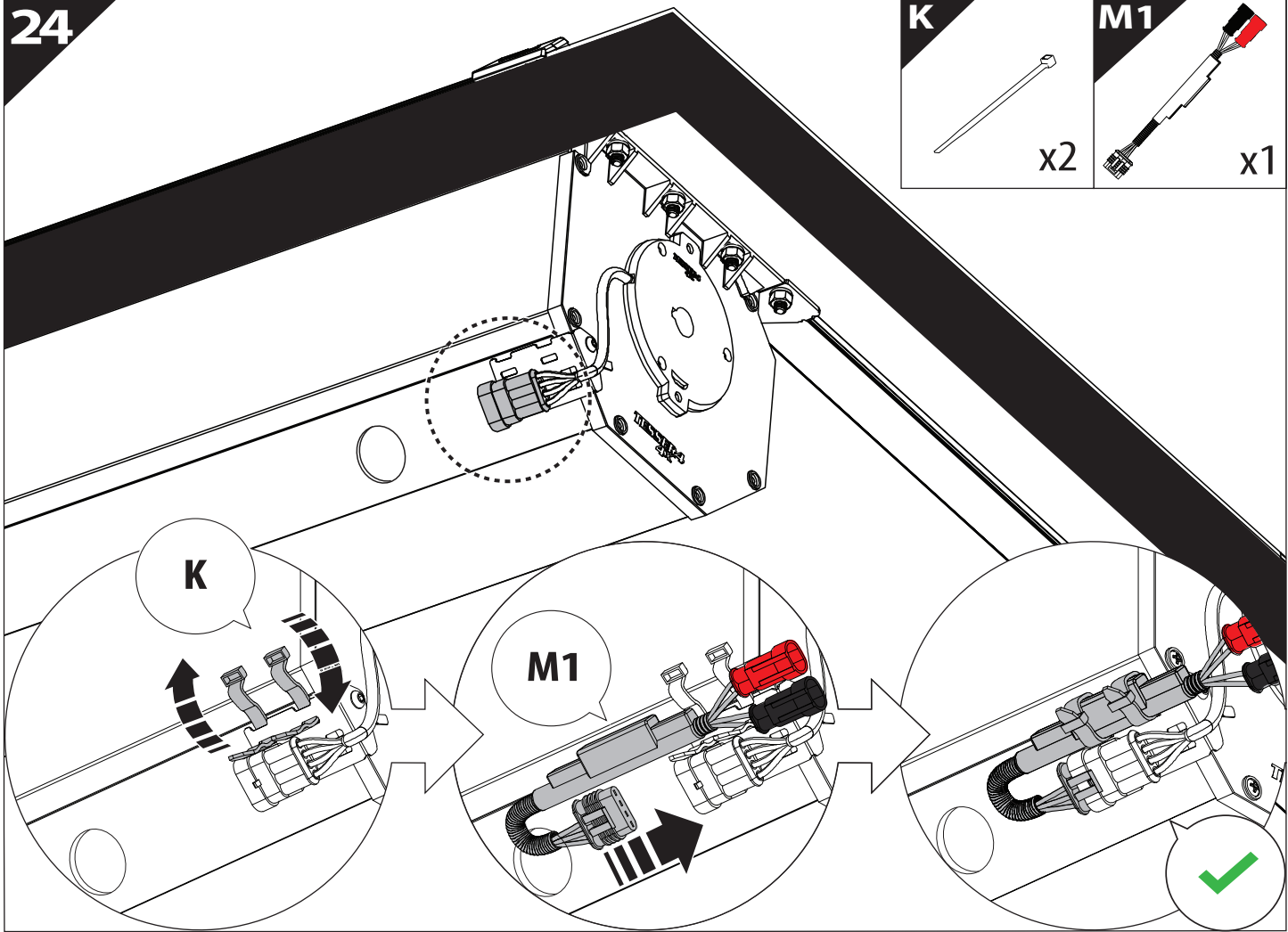
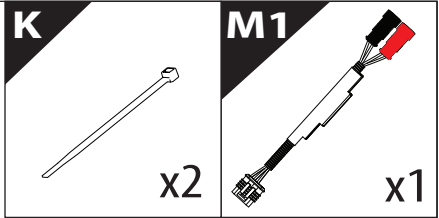
CAR	TESSERA ROLL+
BEAM: LIGHT SIGNAL ↔	
BRAKE: LIGHT SIGNAL ↔	

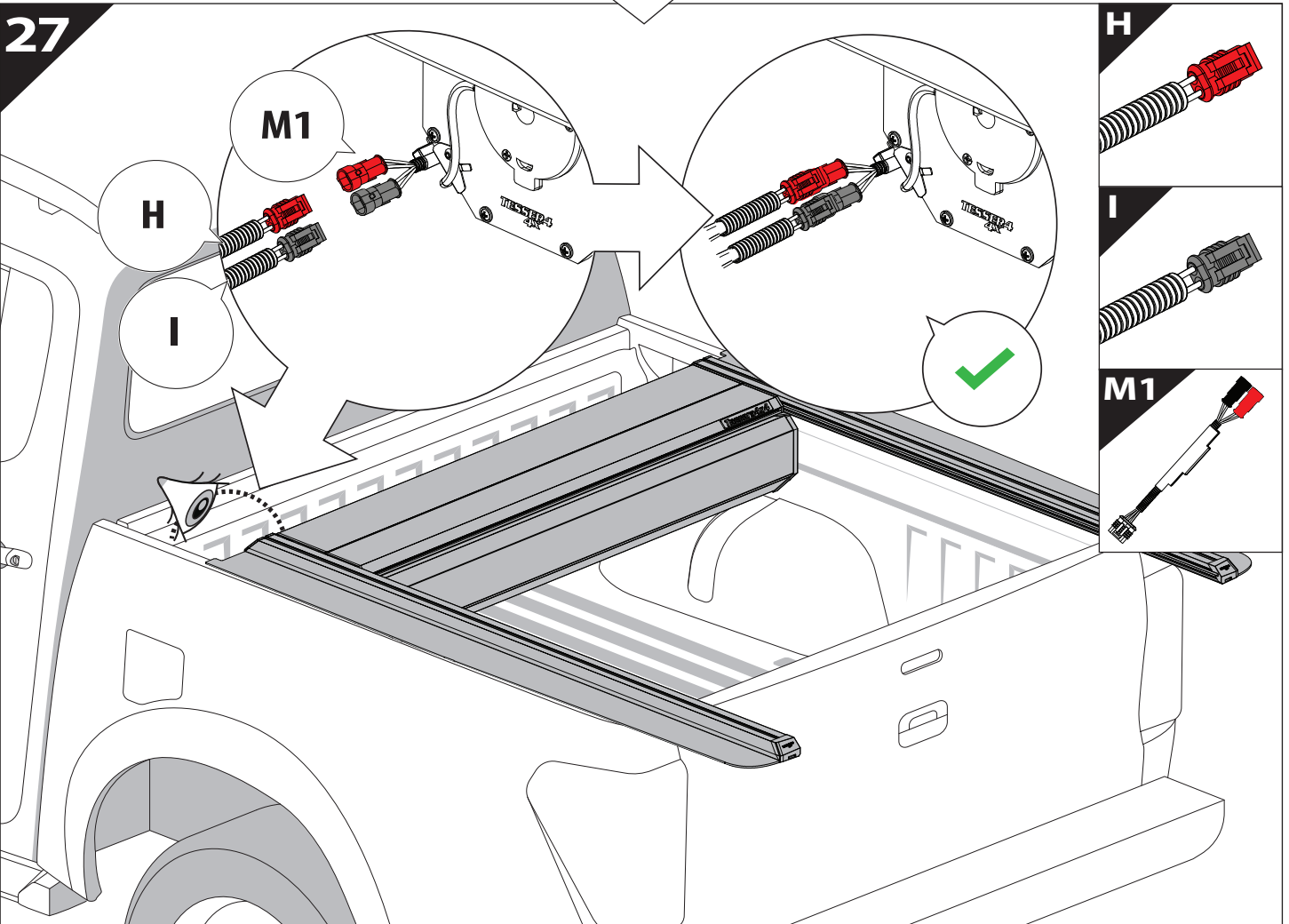
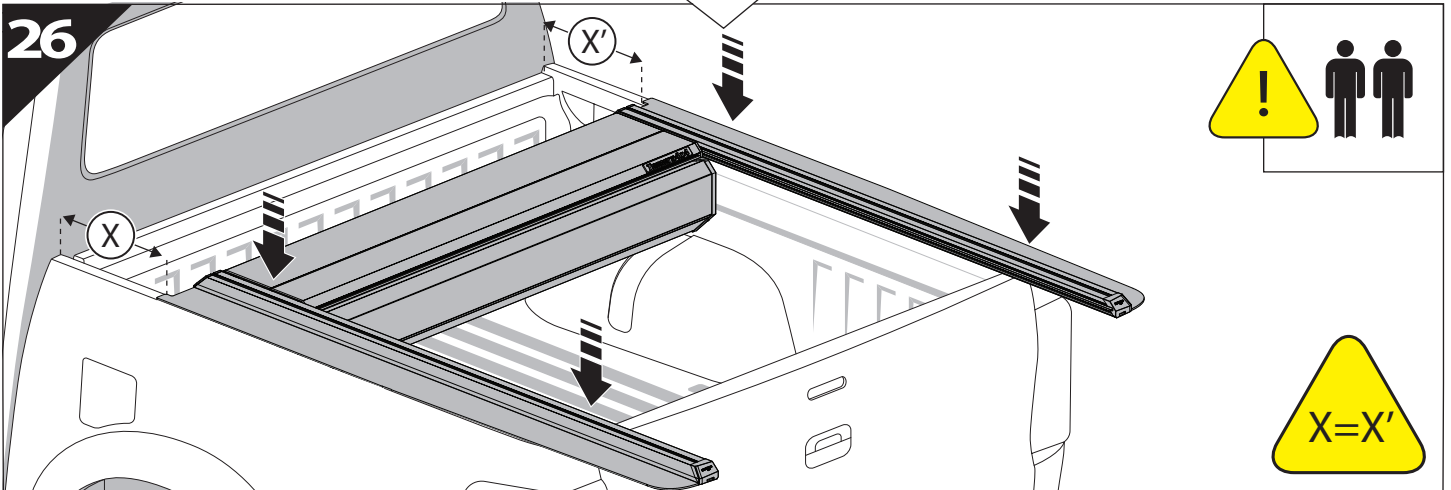
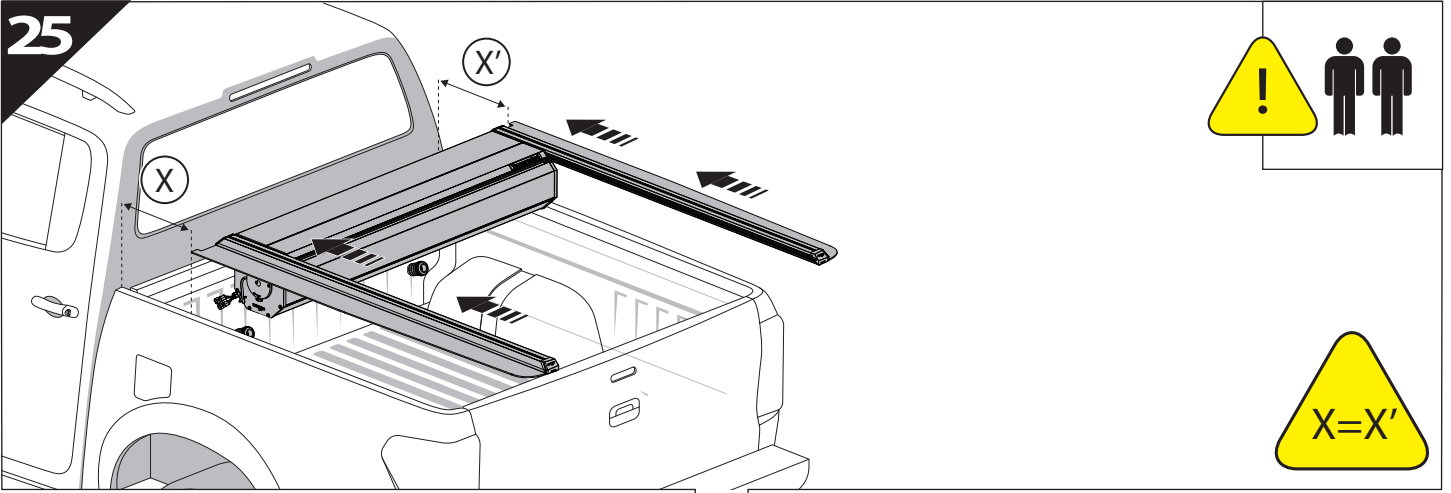
**CAUTION: CONSULT A CERTIFIED AUTO MECHANIC OR AUTOMOTIVE ELECTRICIAN TO IDENTIFY THE CORRECT WIRING CABLES FOR BEAM AND BRAKE SIGNALS BEFORE MAKING ANY CONNECTIONS.**

20

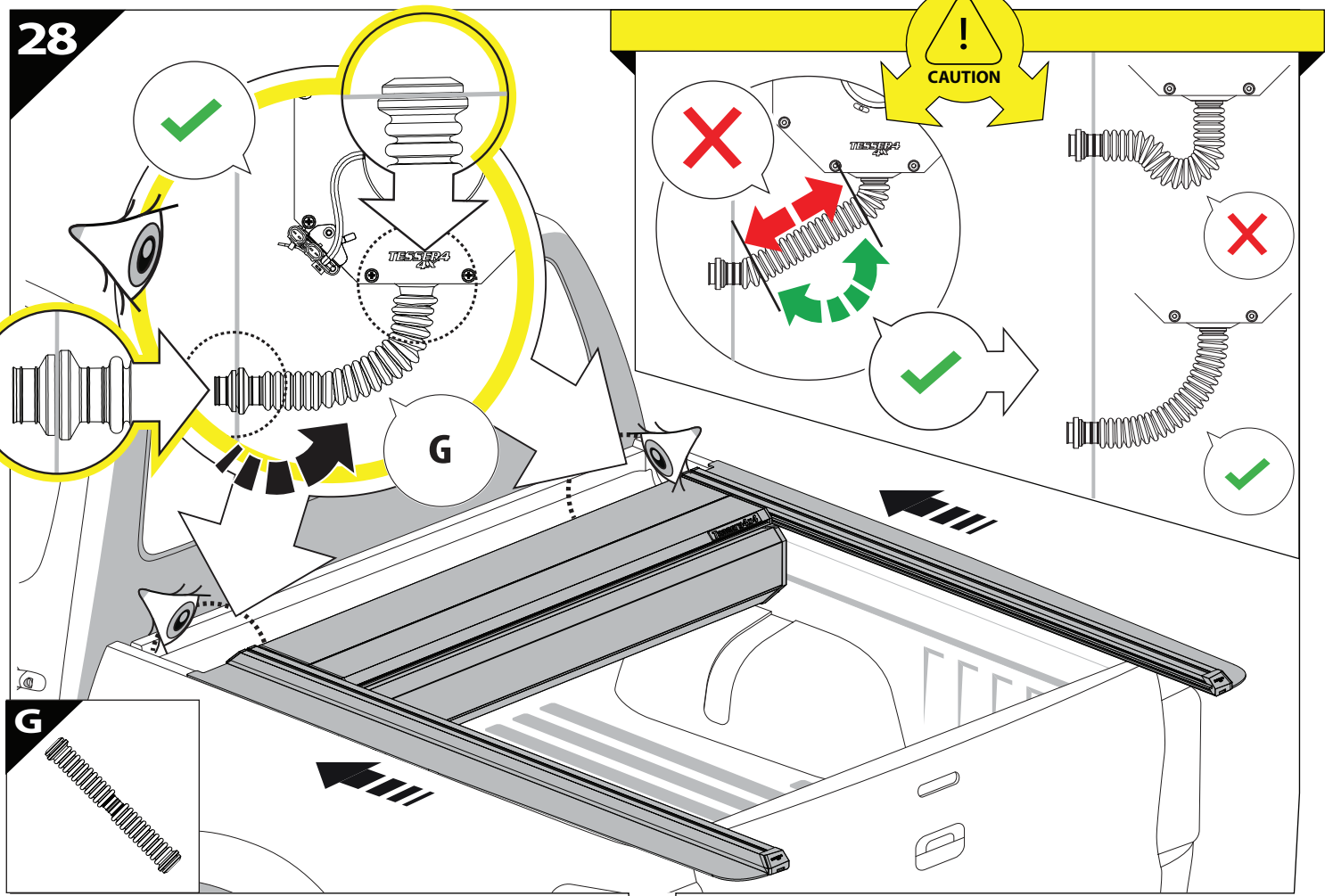




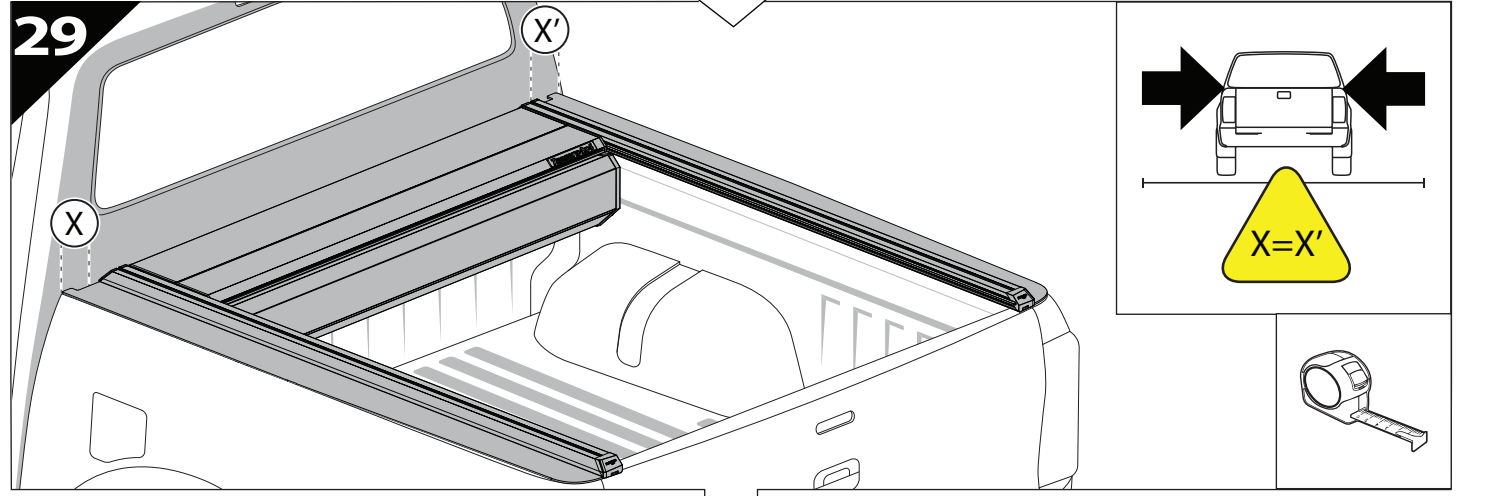




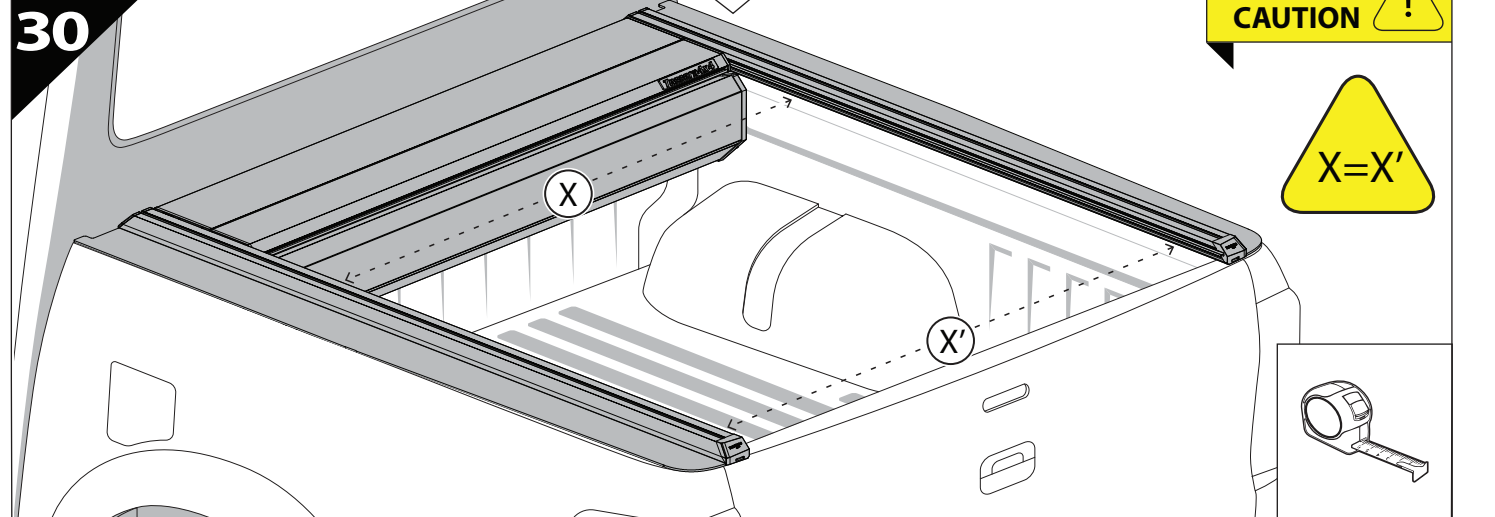
28

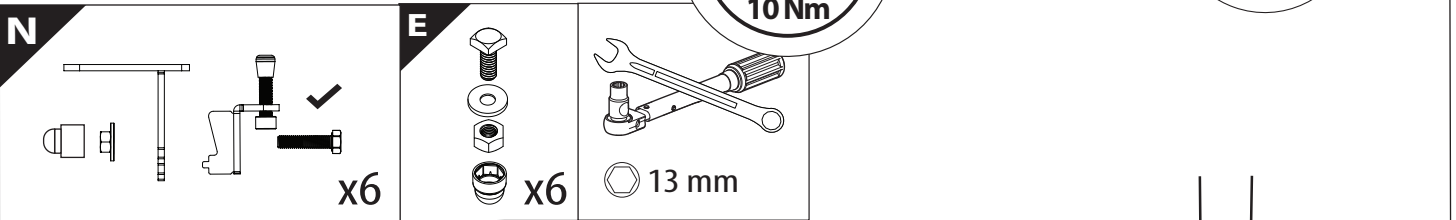
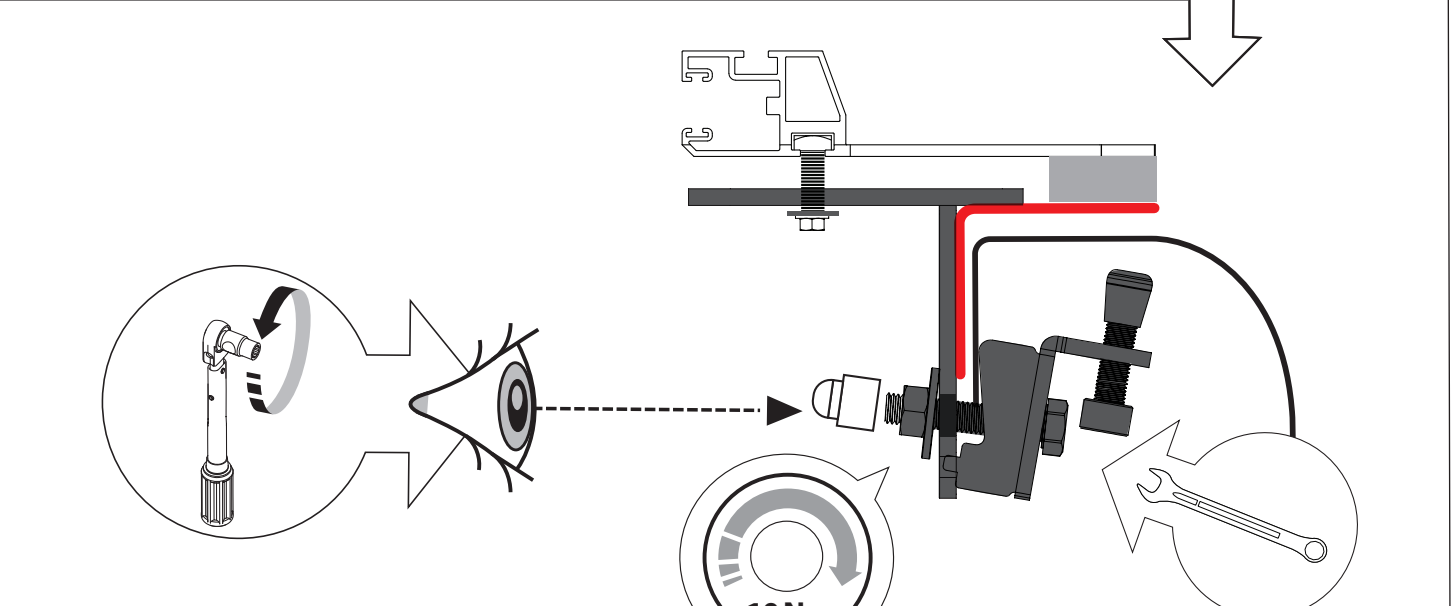
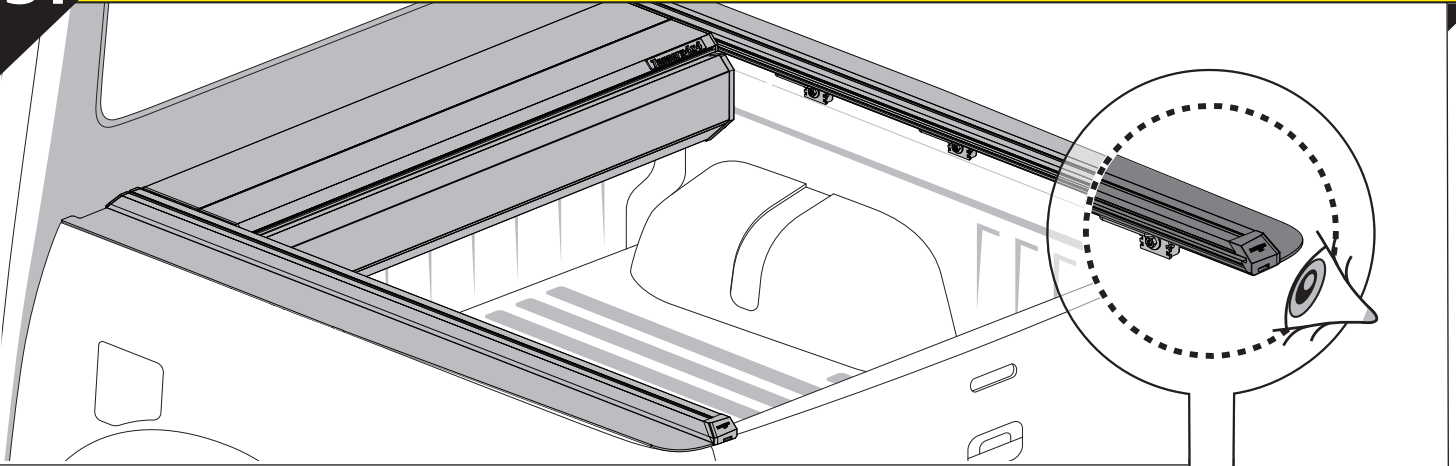


29

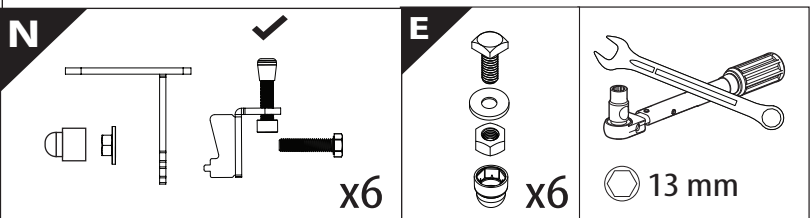
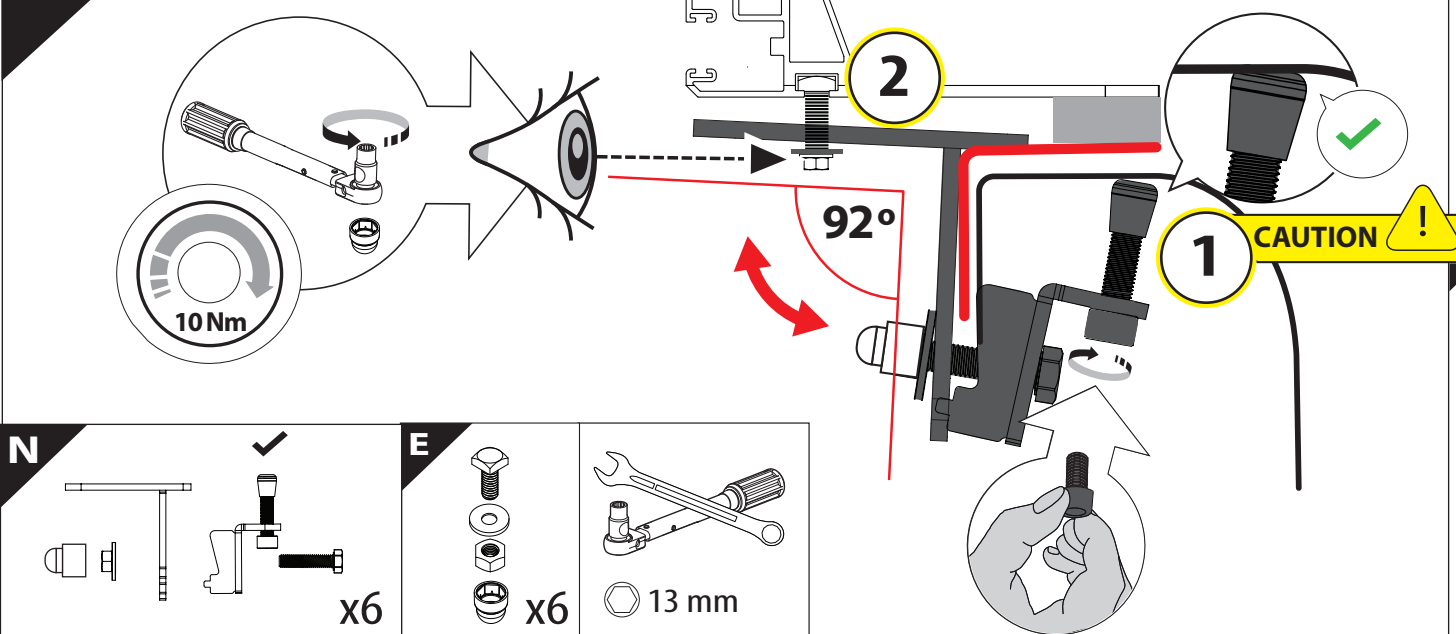


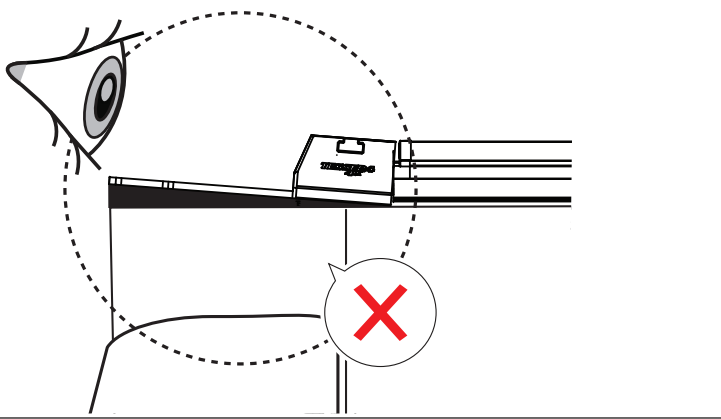
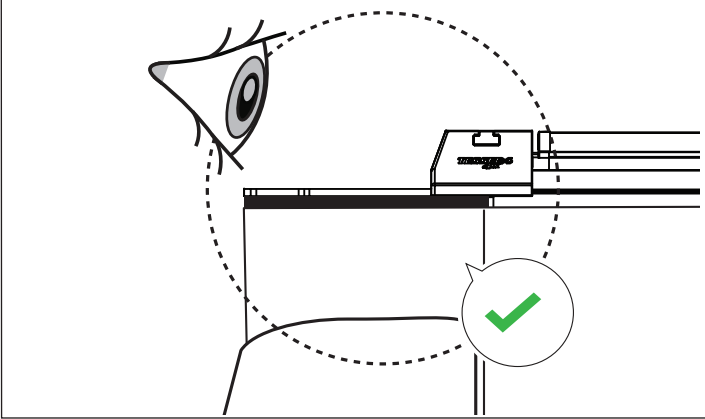
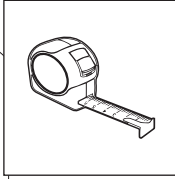
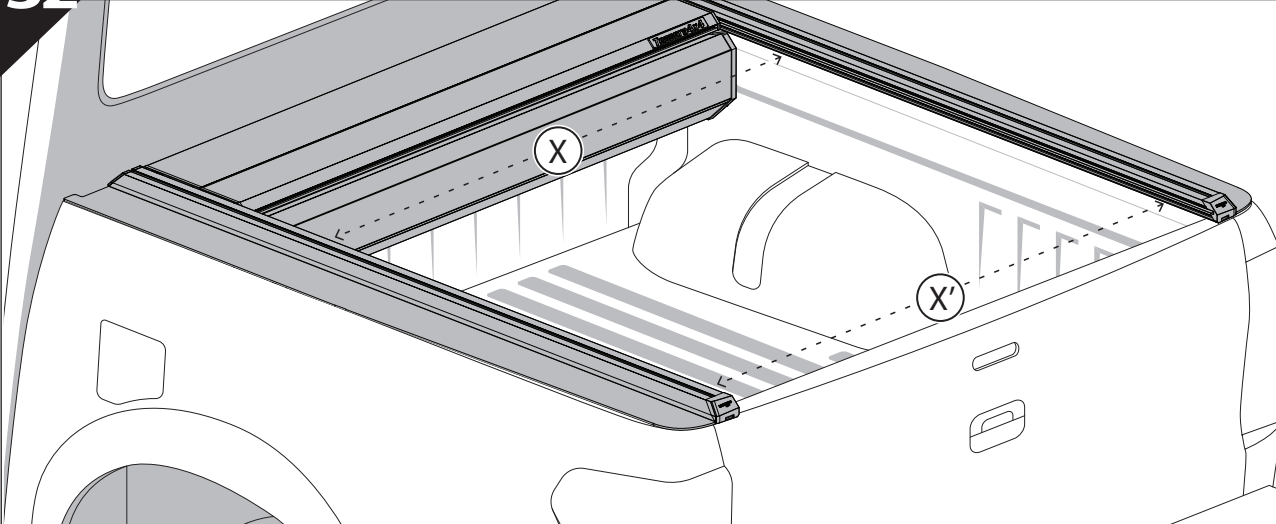
30



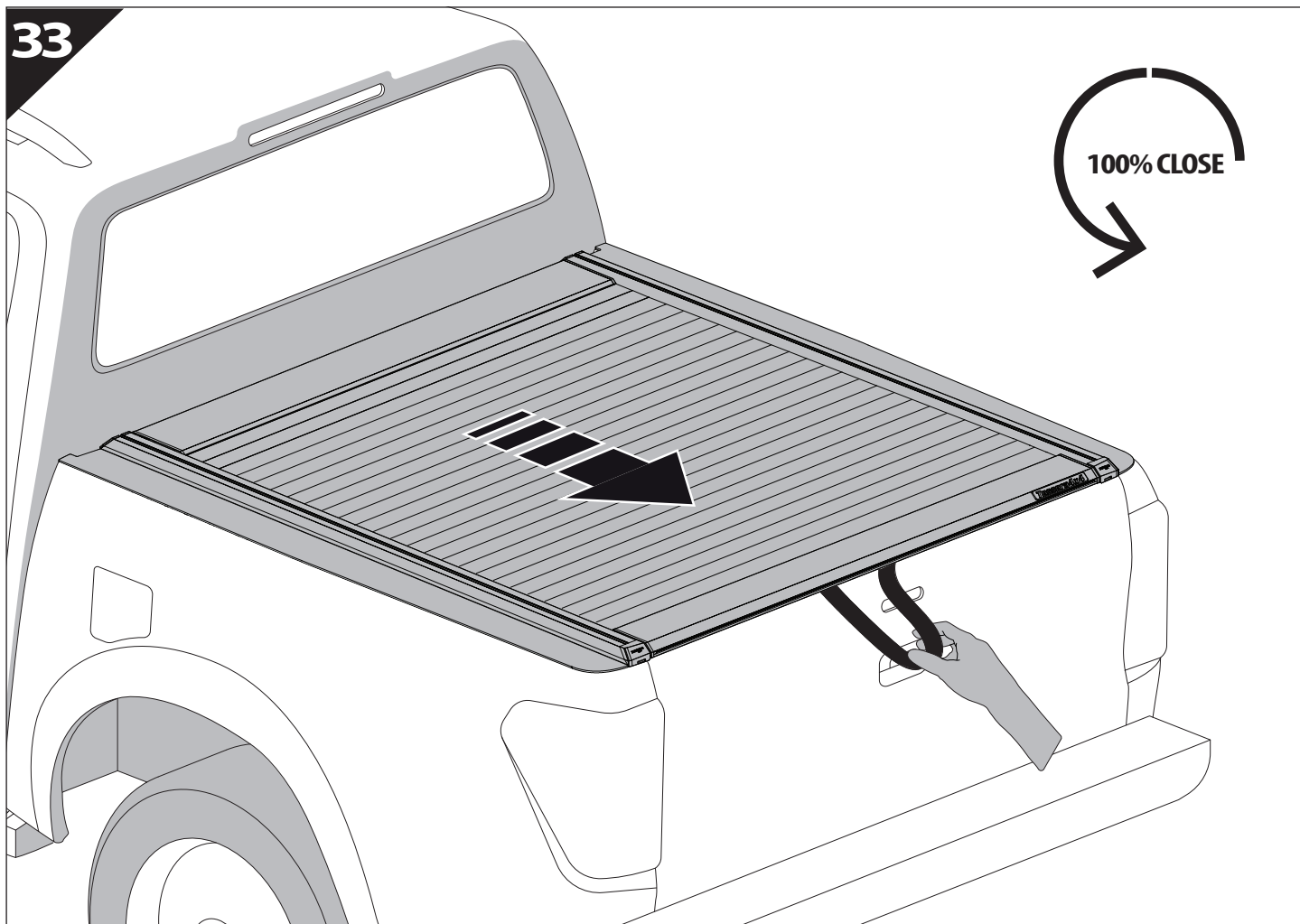


31.0

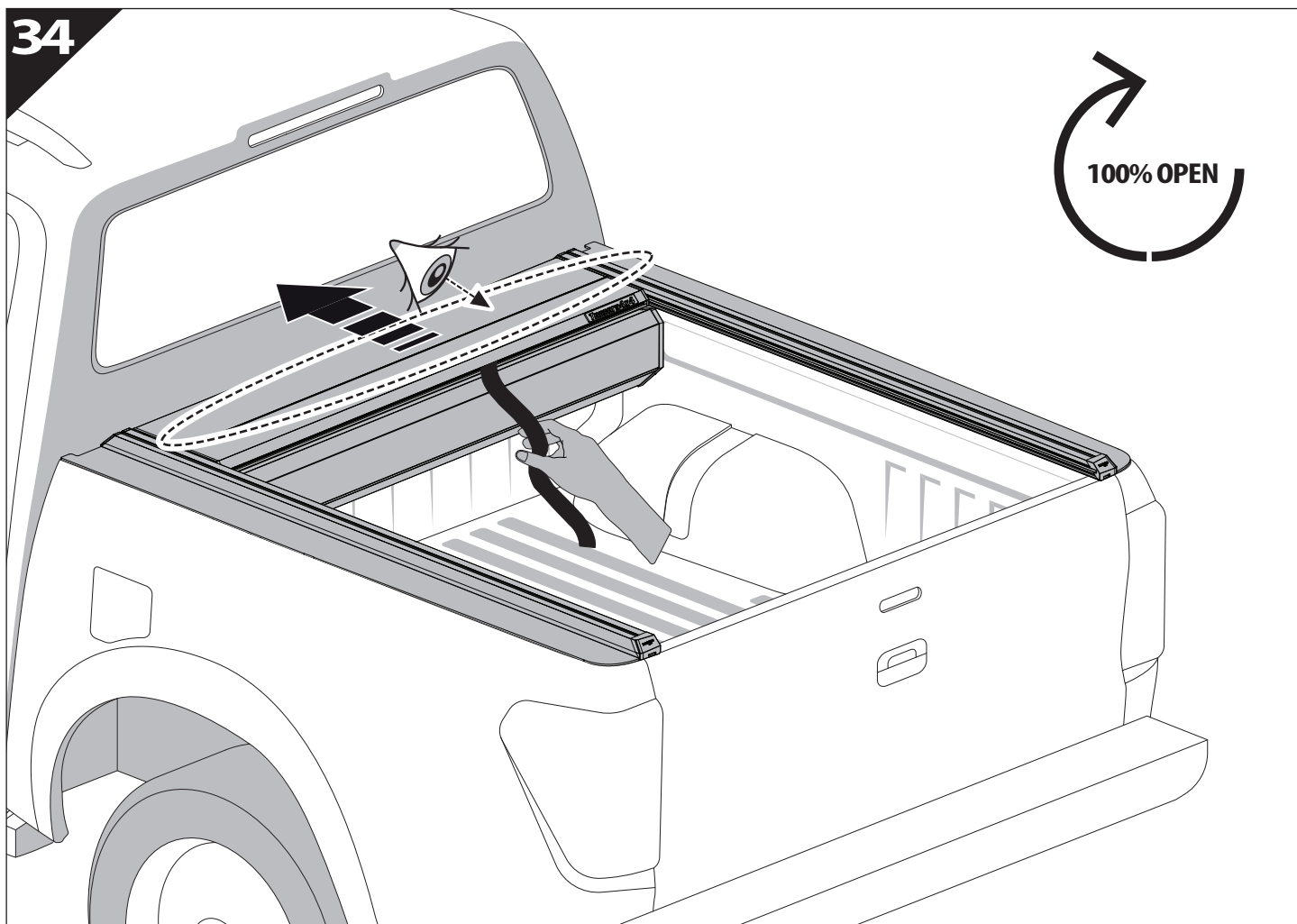




33



34





**GR:** Οδηγίες Εγκατάστασης  
**GB:** Installation manual  
**SF:** Asennusohje  
**F:** Notice de montage  
**PL:** Instrukcja montażu  
**NL:** Installatie-instructies  
**TR:** Montaj Talimatı  
**S:** Monteringsanvisning  
**E:** Instrucciones de montaje

**H:** Szerelési utasítás  
**P:** Instruções de instalação  
**RUS:** Инструкция по установке  
**N:** Monteringsveiledning  
**D:** Einbauanleitung  
**CZ:** Návod k instalaci  
**I:** Istruzioni de montaggio  
**DK:** Monteringsvejledning  
**RO:** Instructiuni de instalare

Customer Service:

+30 (210) 5541161, +30 (210) 5541154 (08:00 - 16:00 EET)

Support department:

[info@gianso.gr](mailto:info@gianso.gr)

Website:

[www.tessera4x4.com](http://www.tessera4x4.com)

Address:

19.5 km of National road Athens-Korinthos (Elefsina) Greece, P.C: 19240