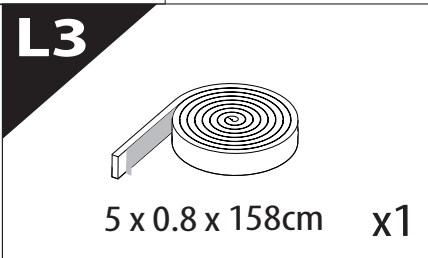
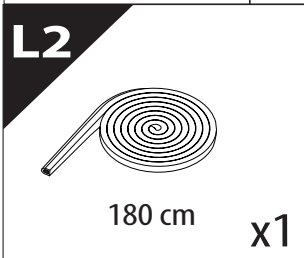
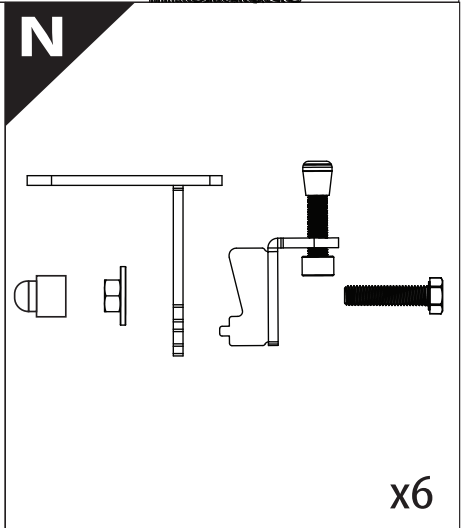
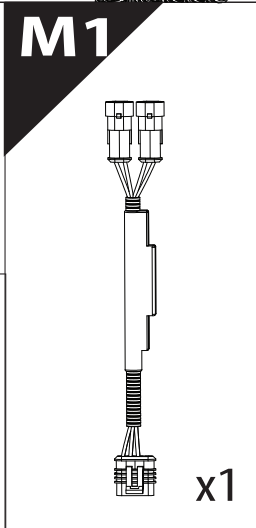
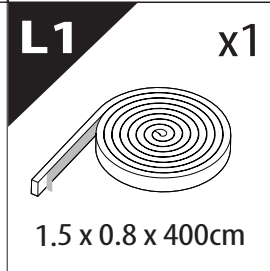
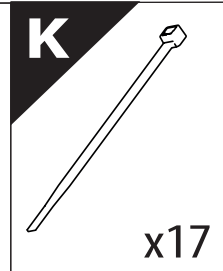
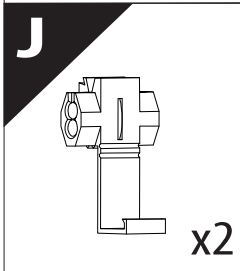
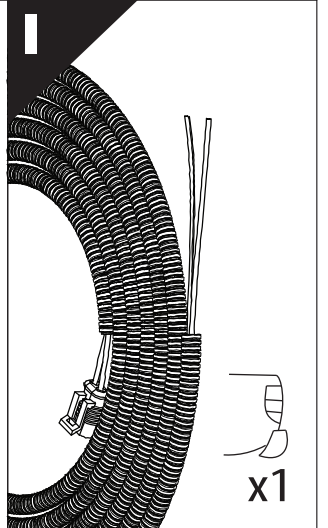
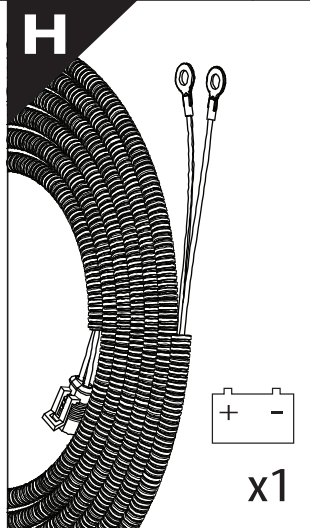
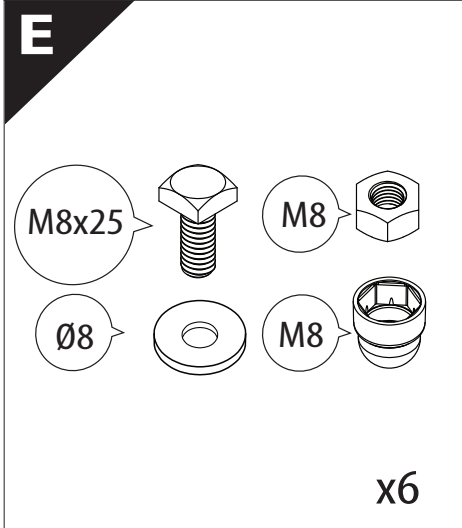
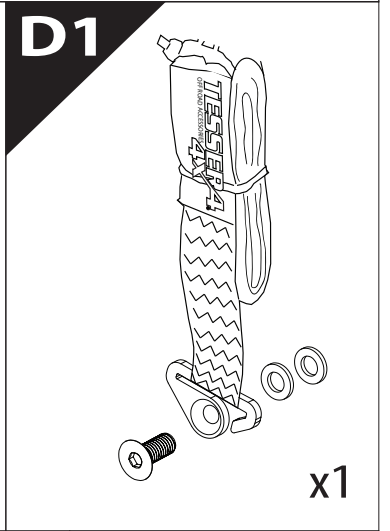
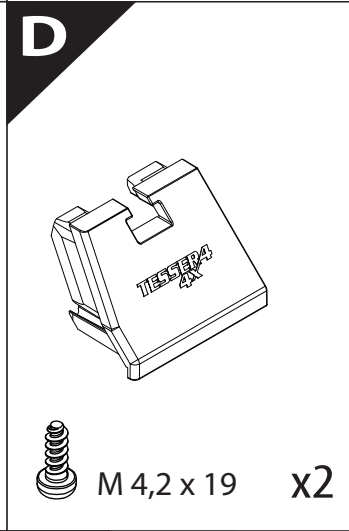
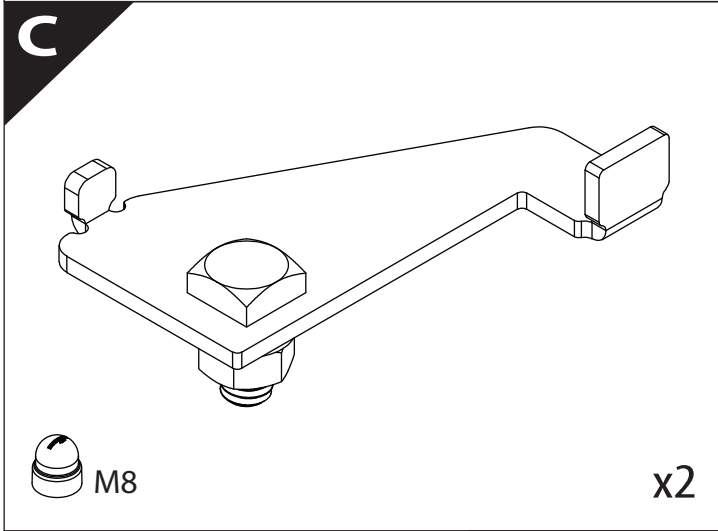
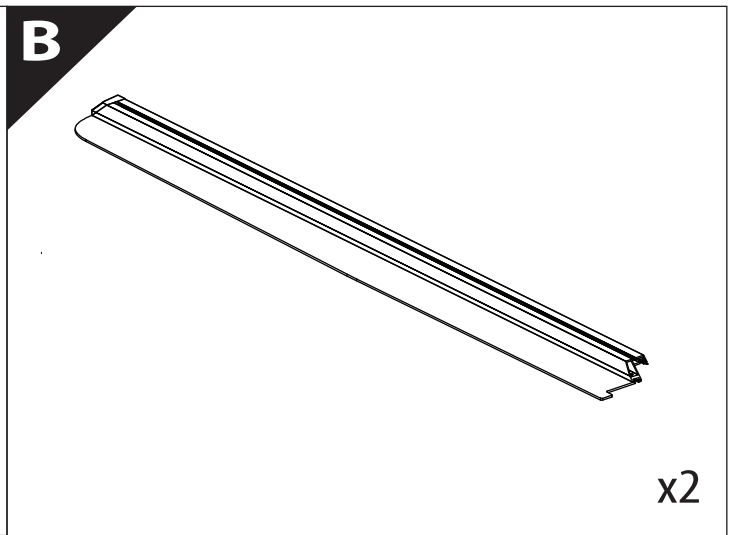
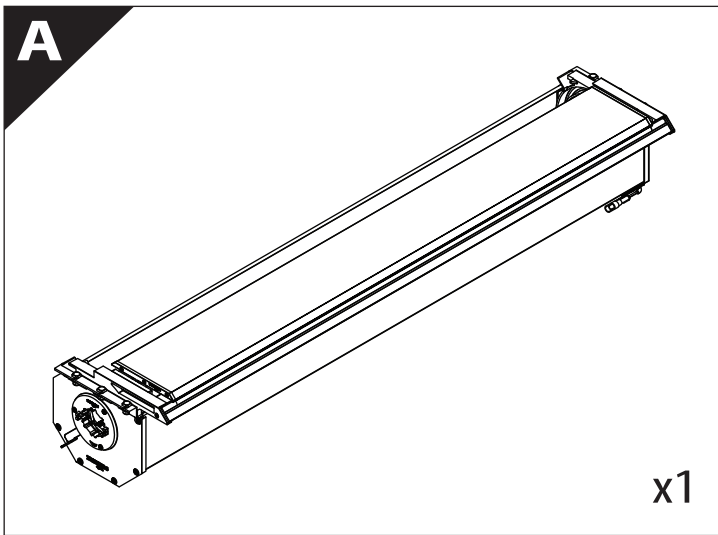
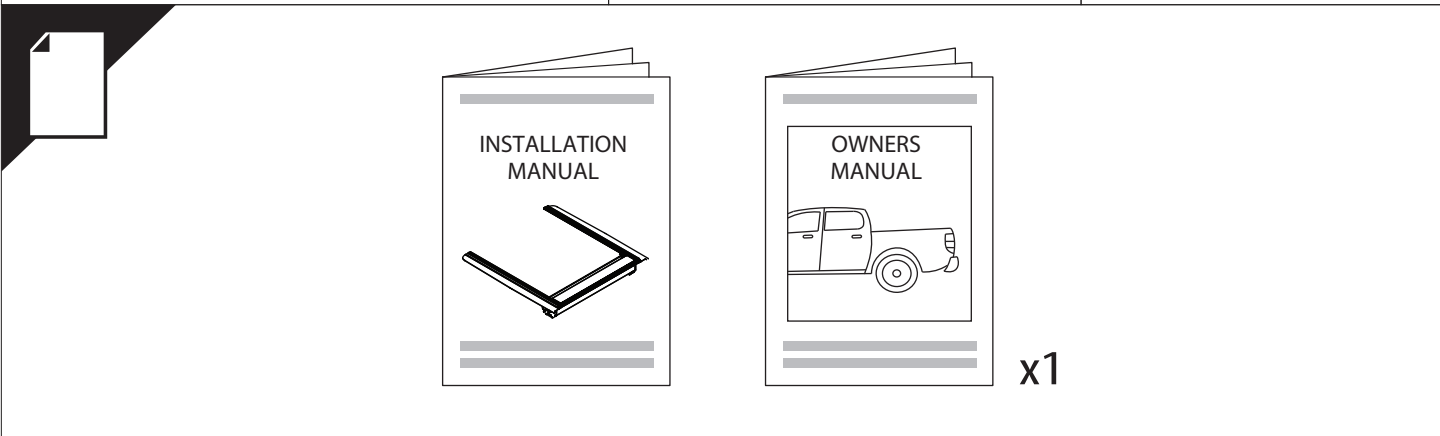
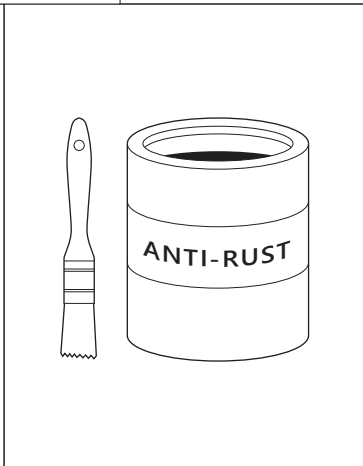
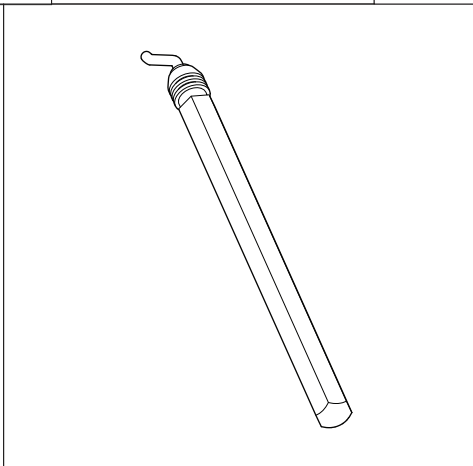
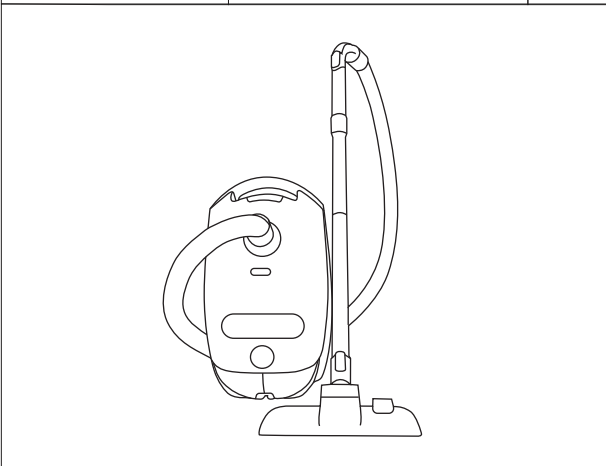
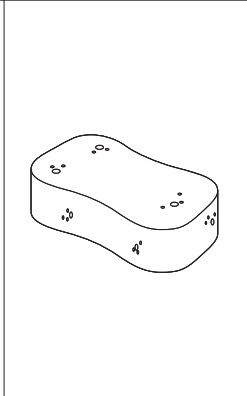
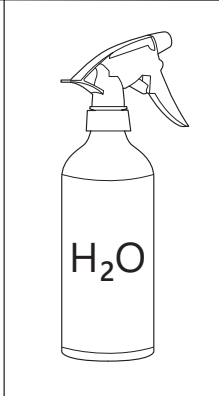
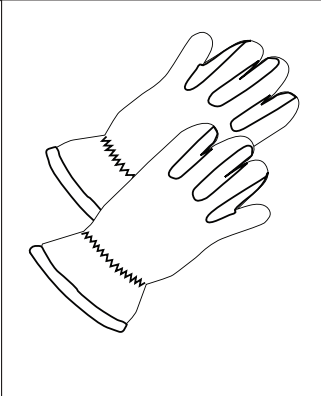
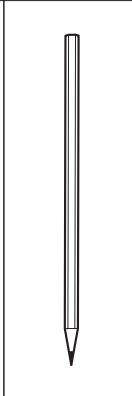
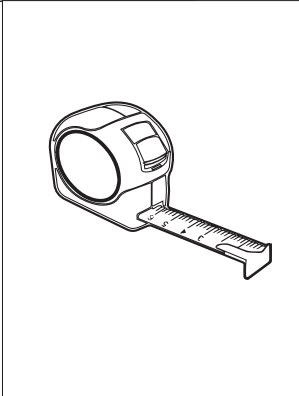
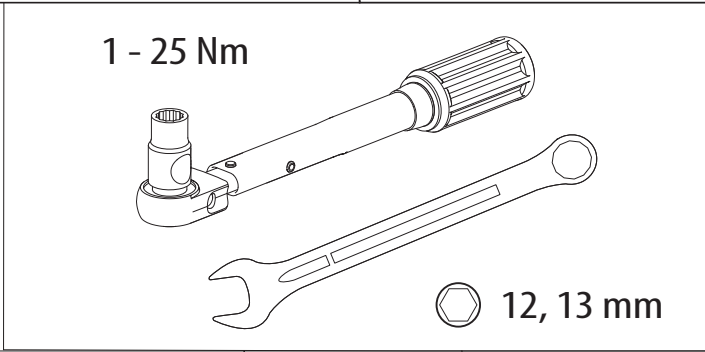
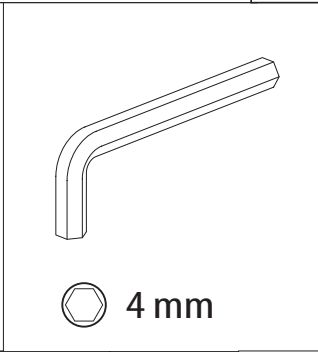
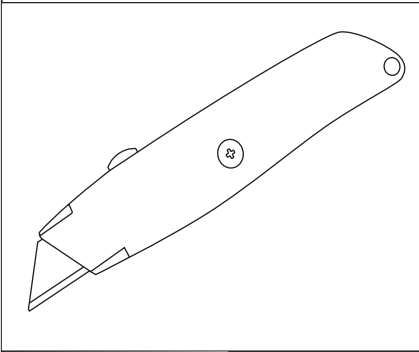
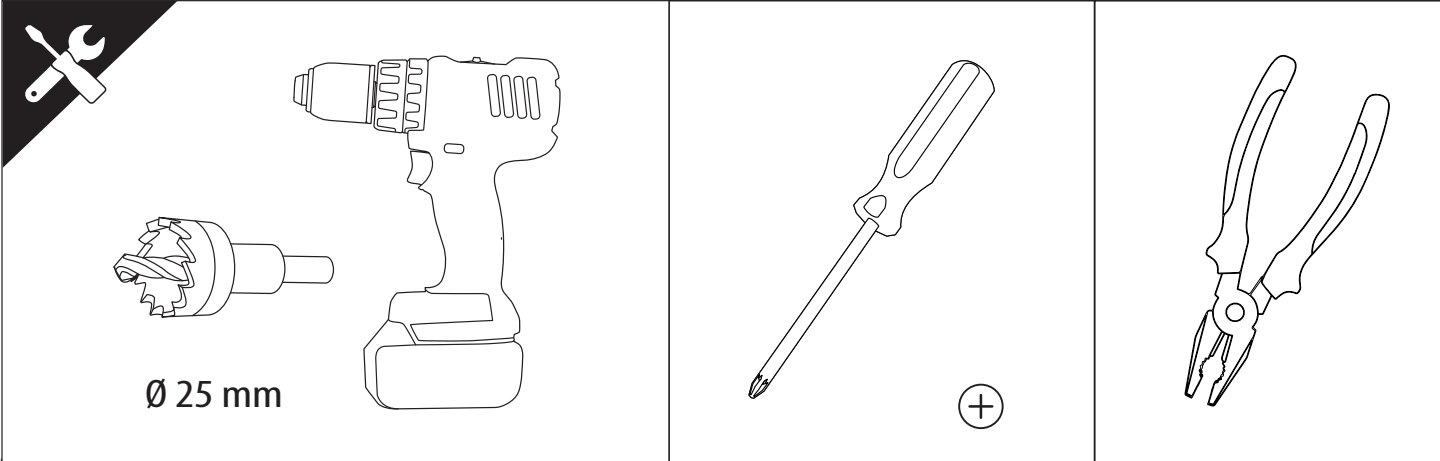
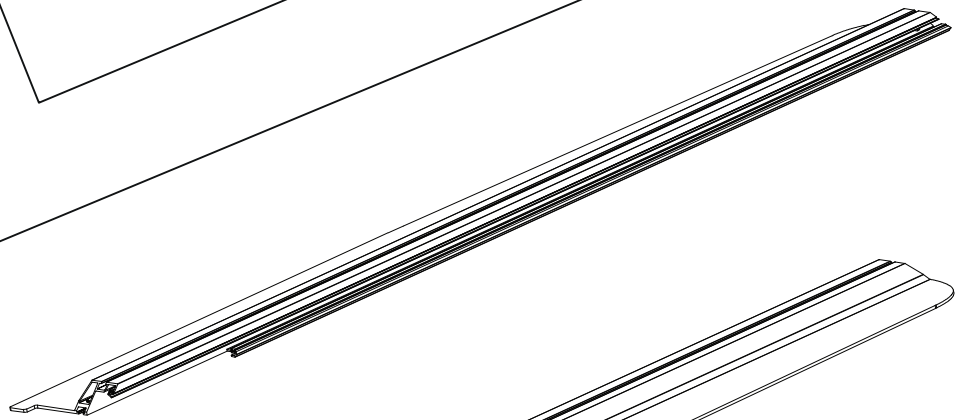
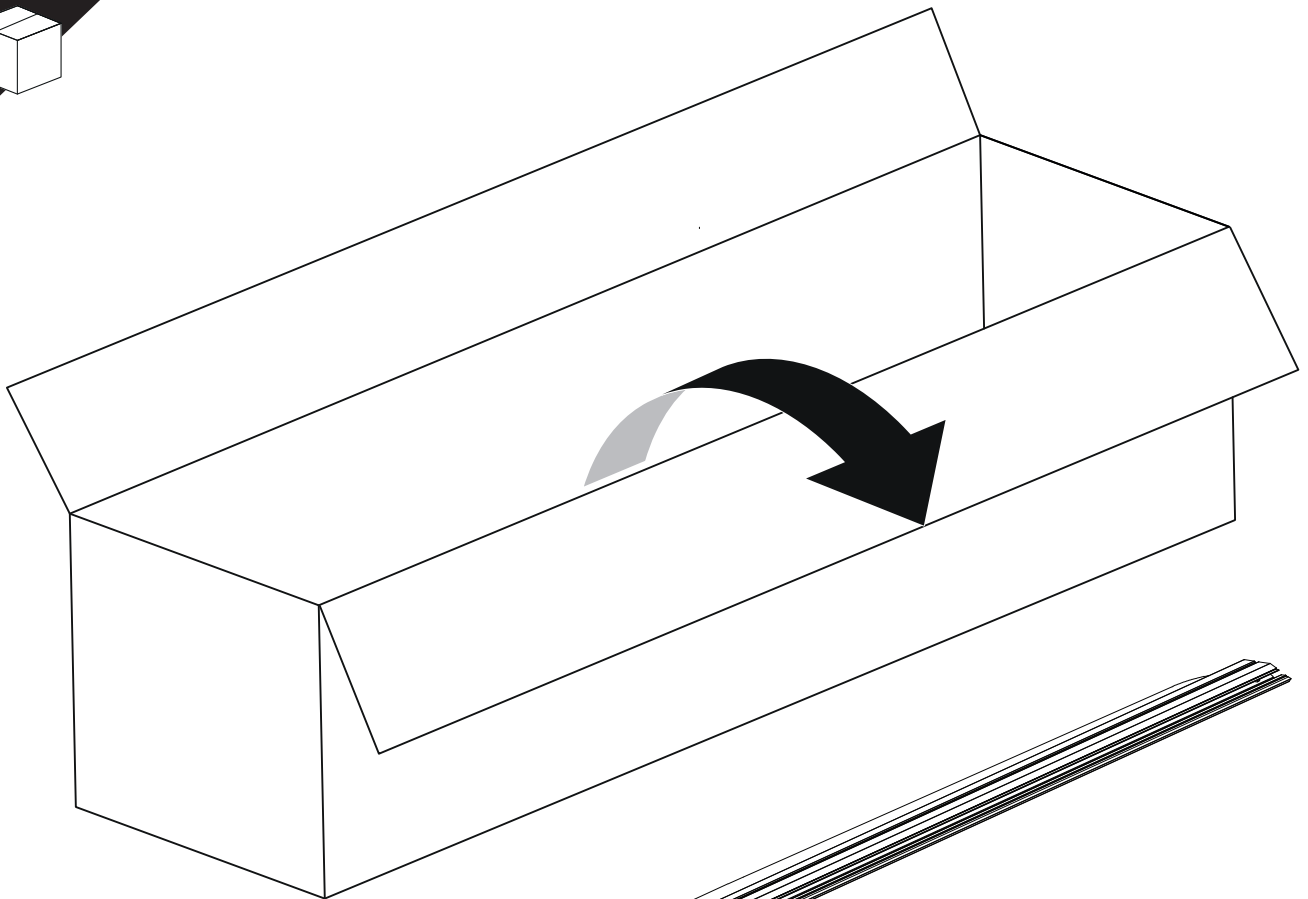


Installation Manual

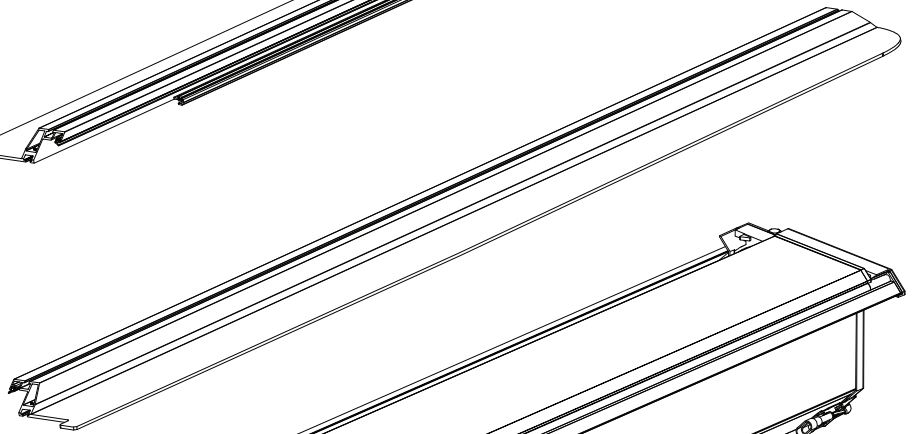
PART NUMBER(S)	Model Year
TESS 1456 ROLL	GMC Hummer EV 2025+
FEET	Installation Time / Weight
5 Feet	40-60 minutes / 53-57 kg



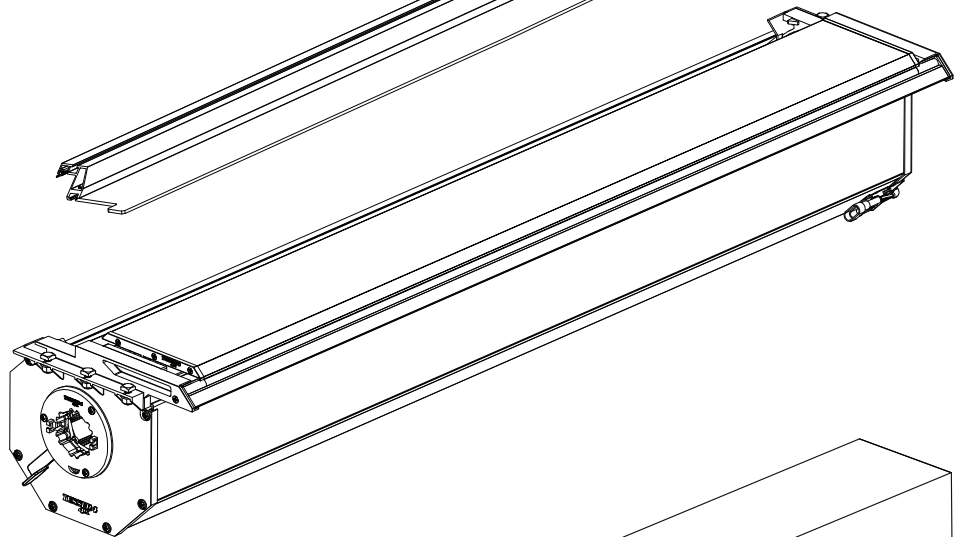




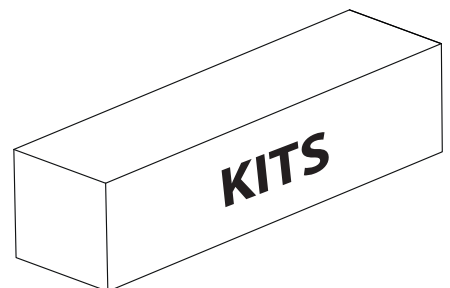
B



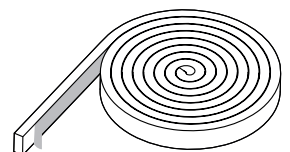
A

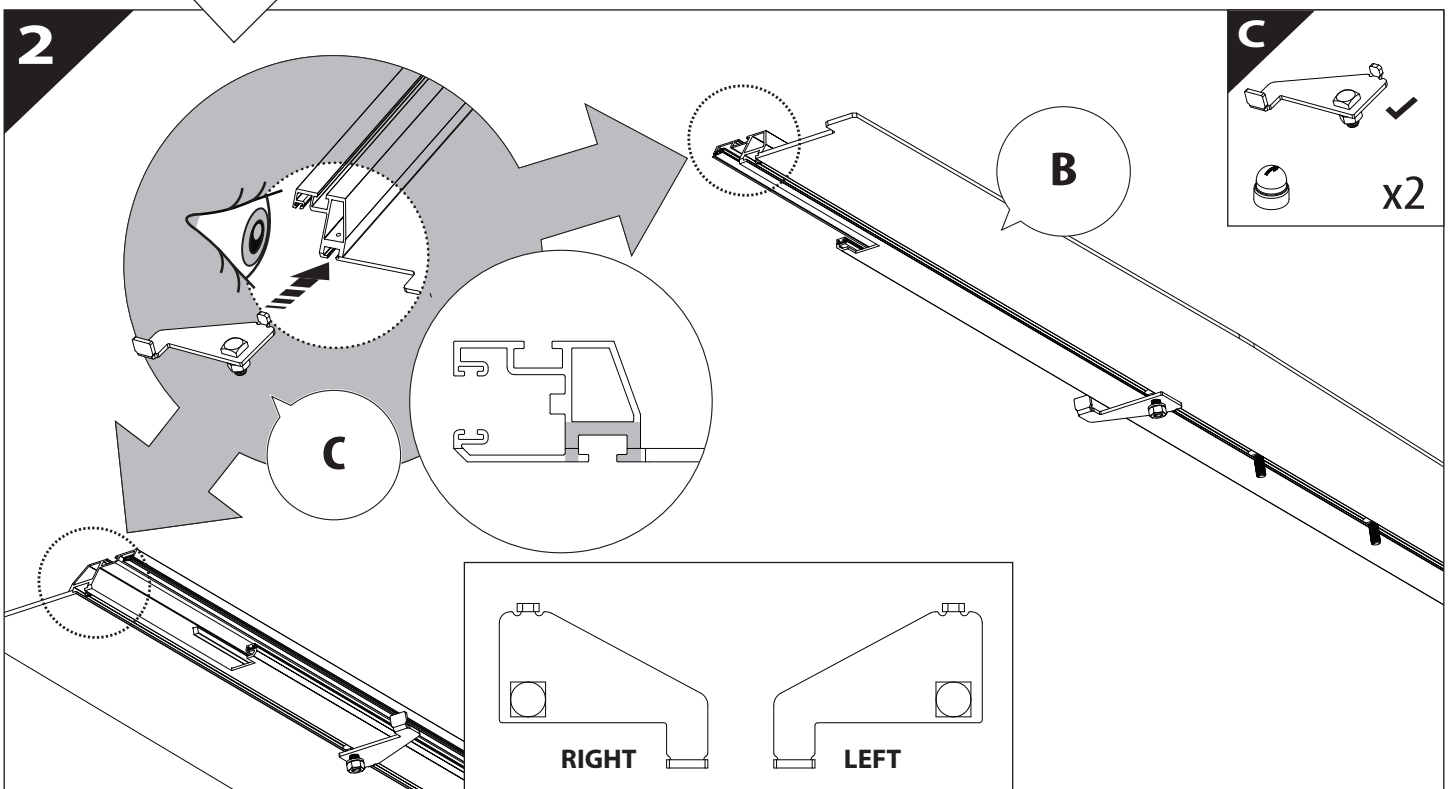
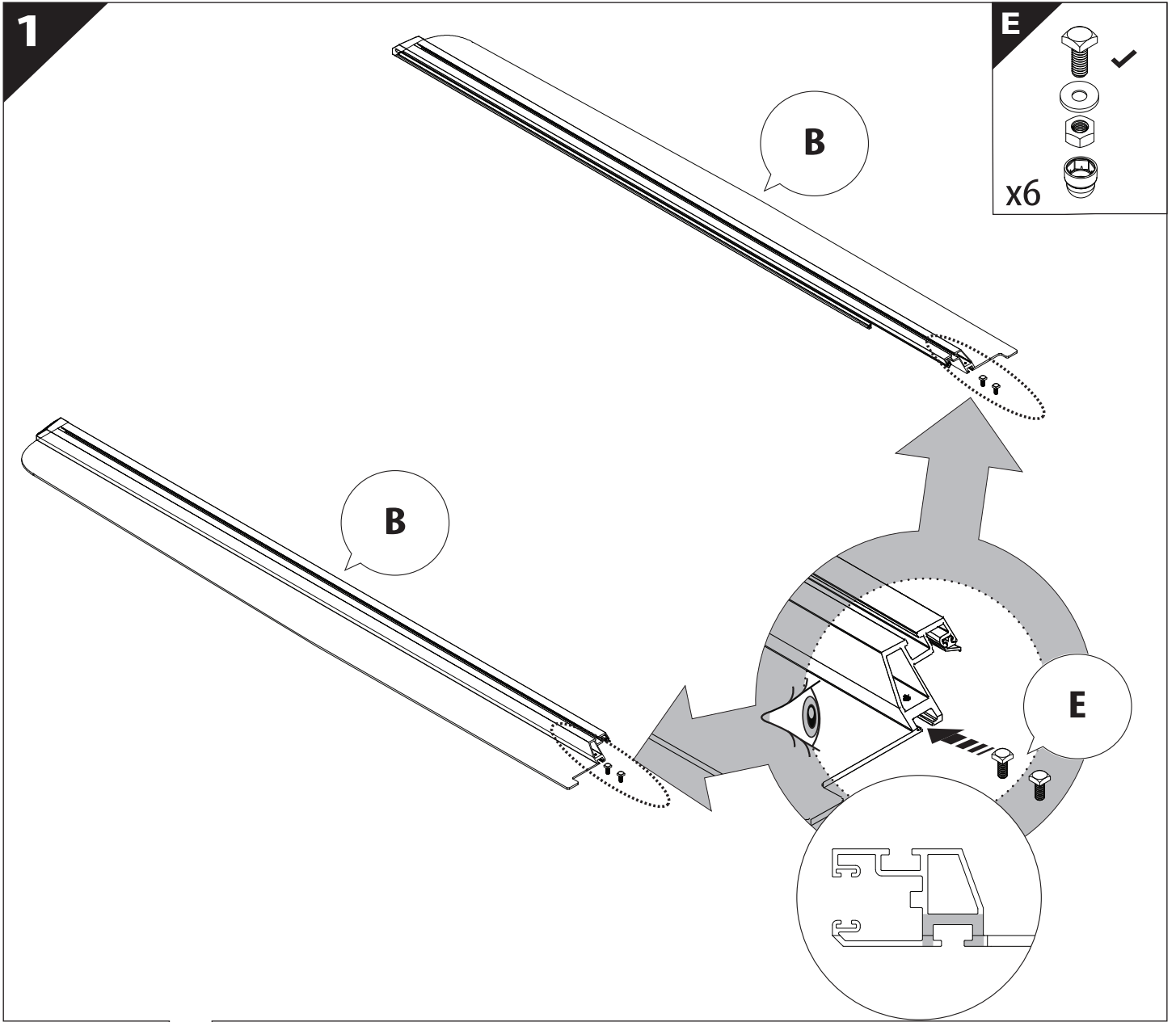


KITS

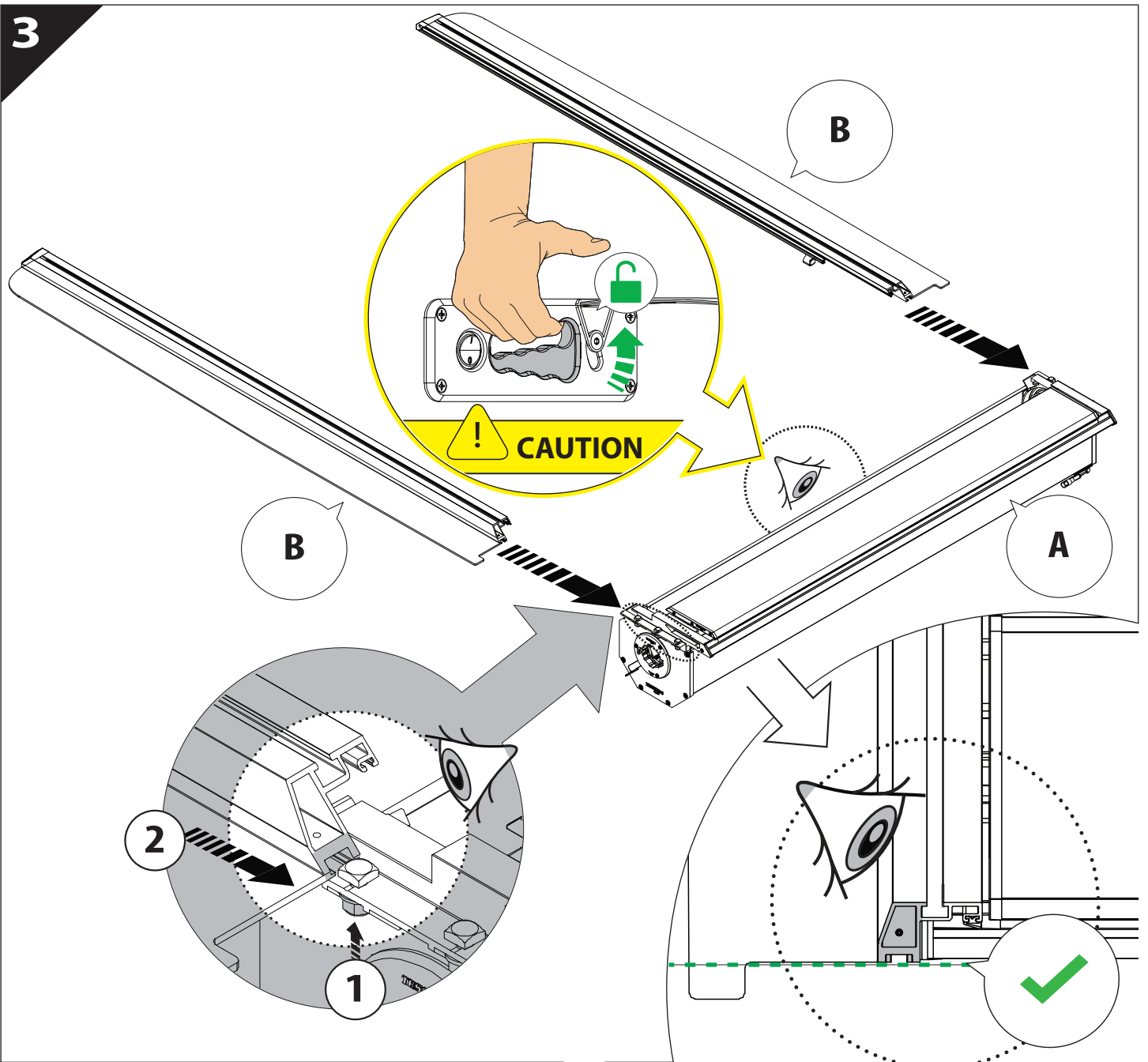


L

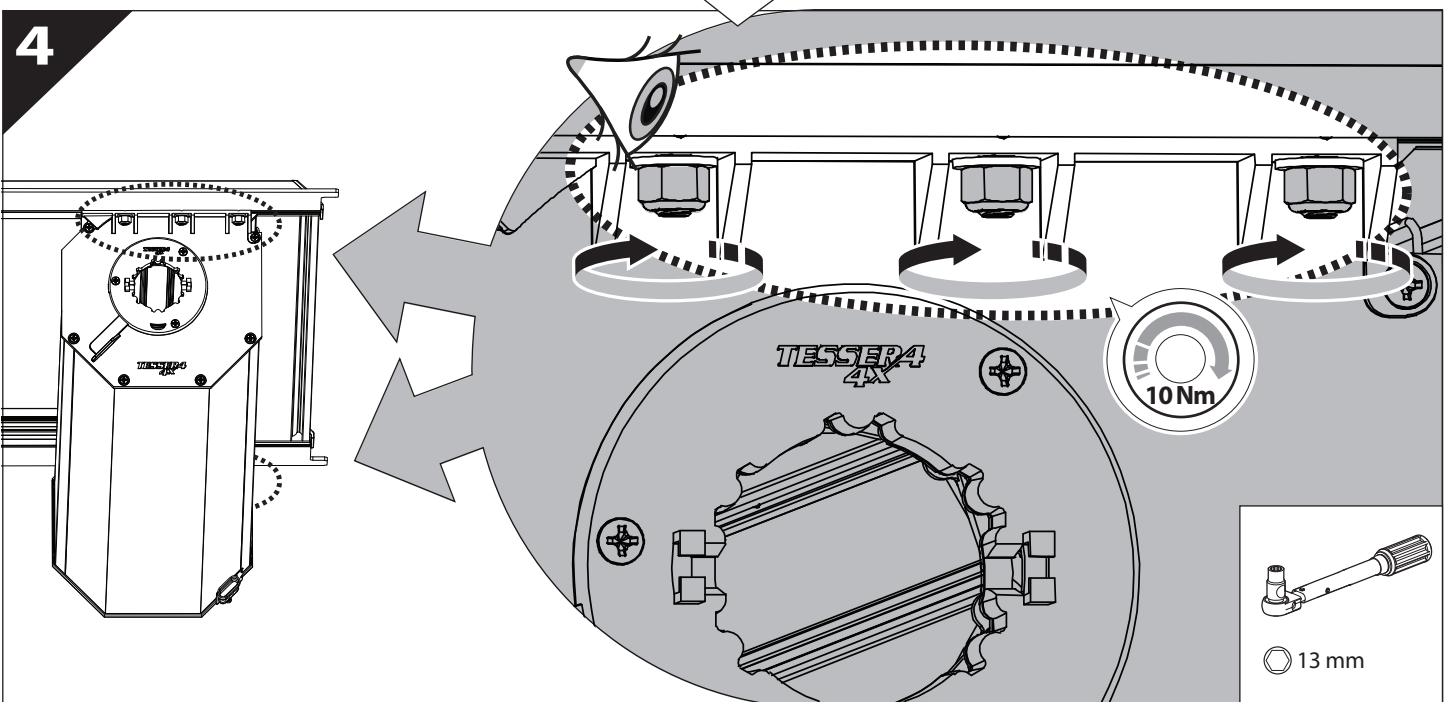


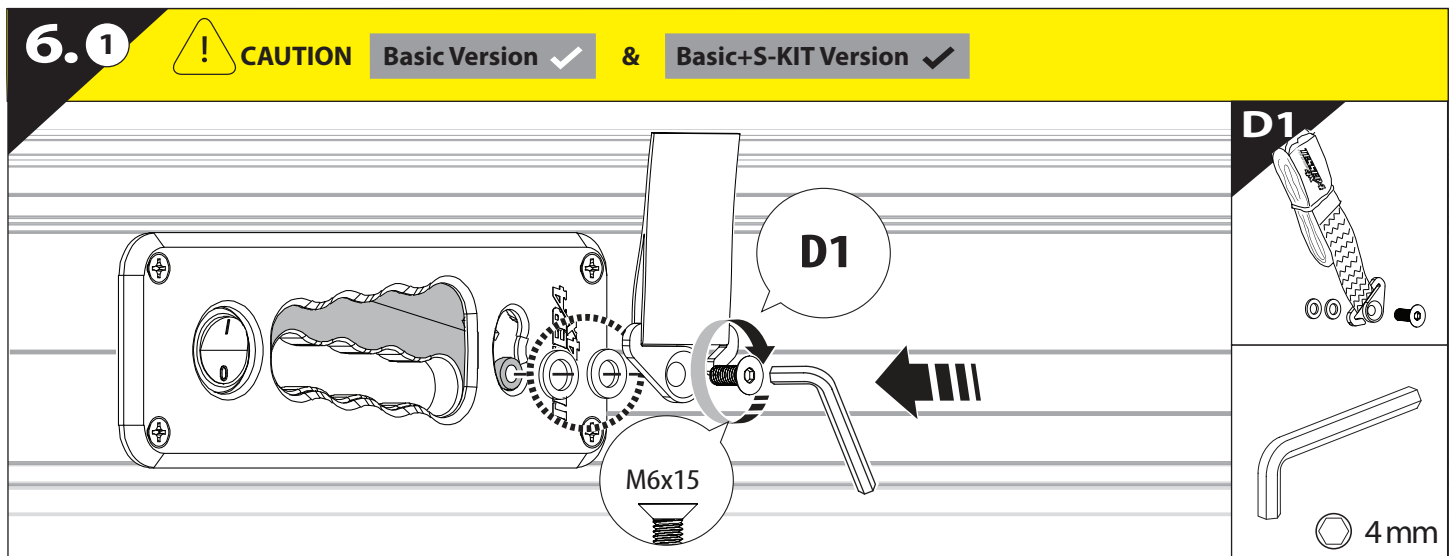
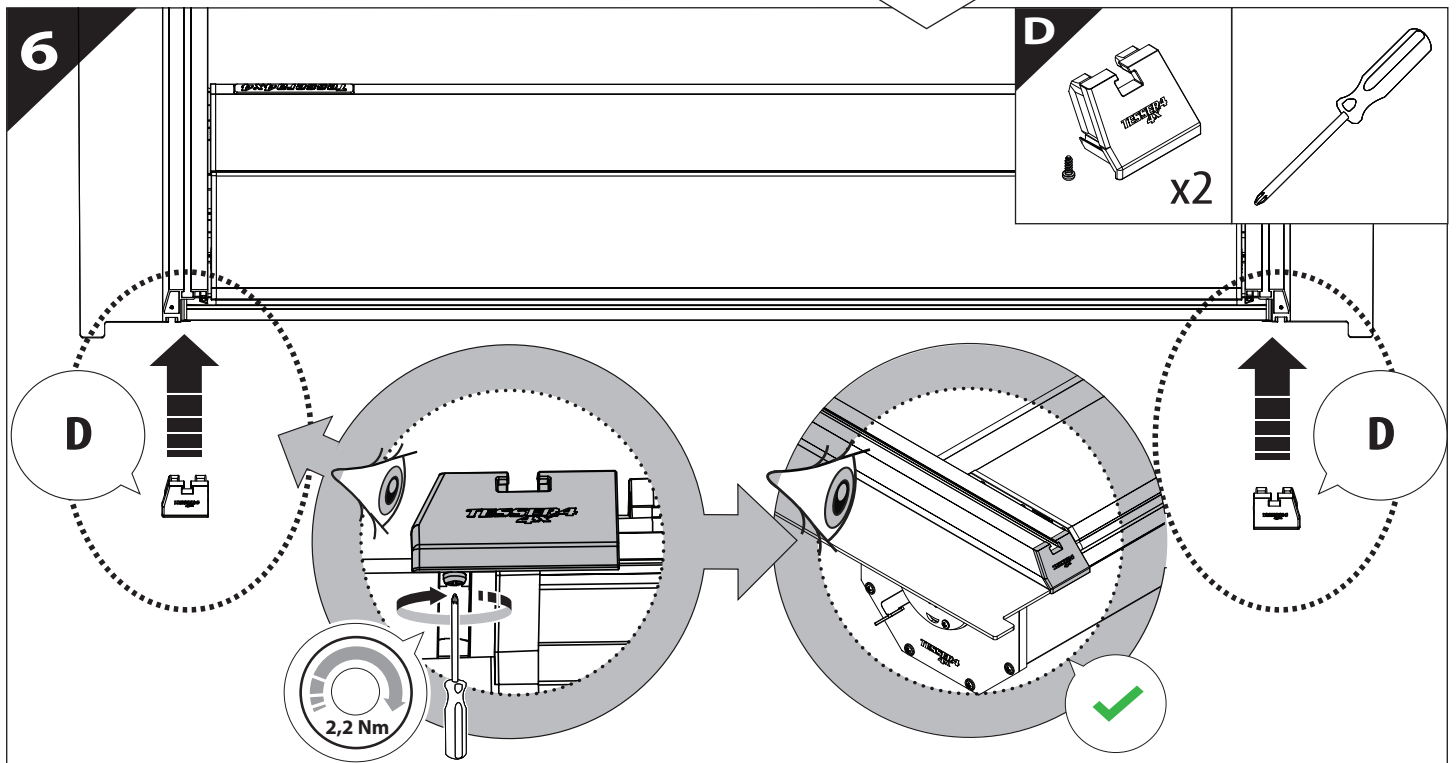
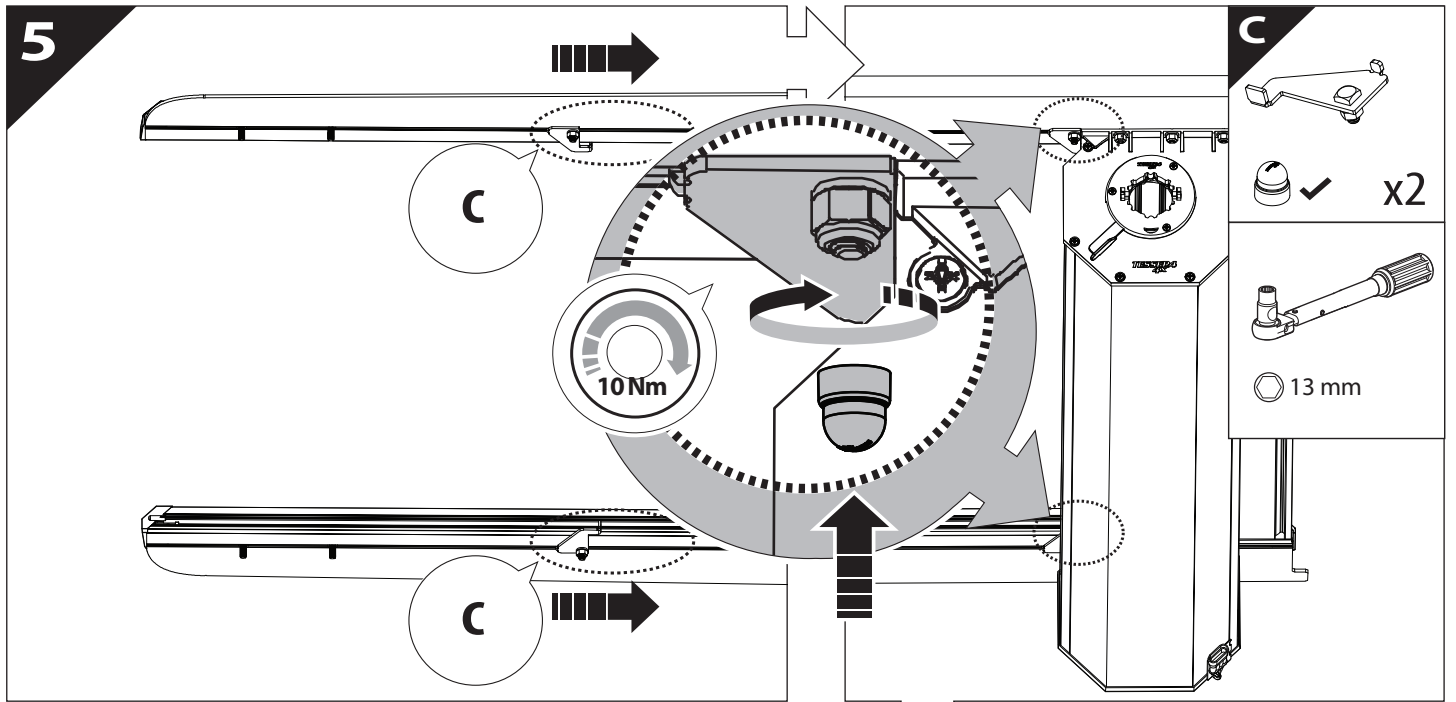


3

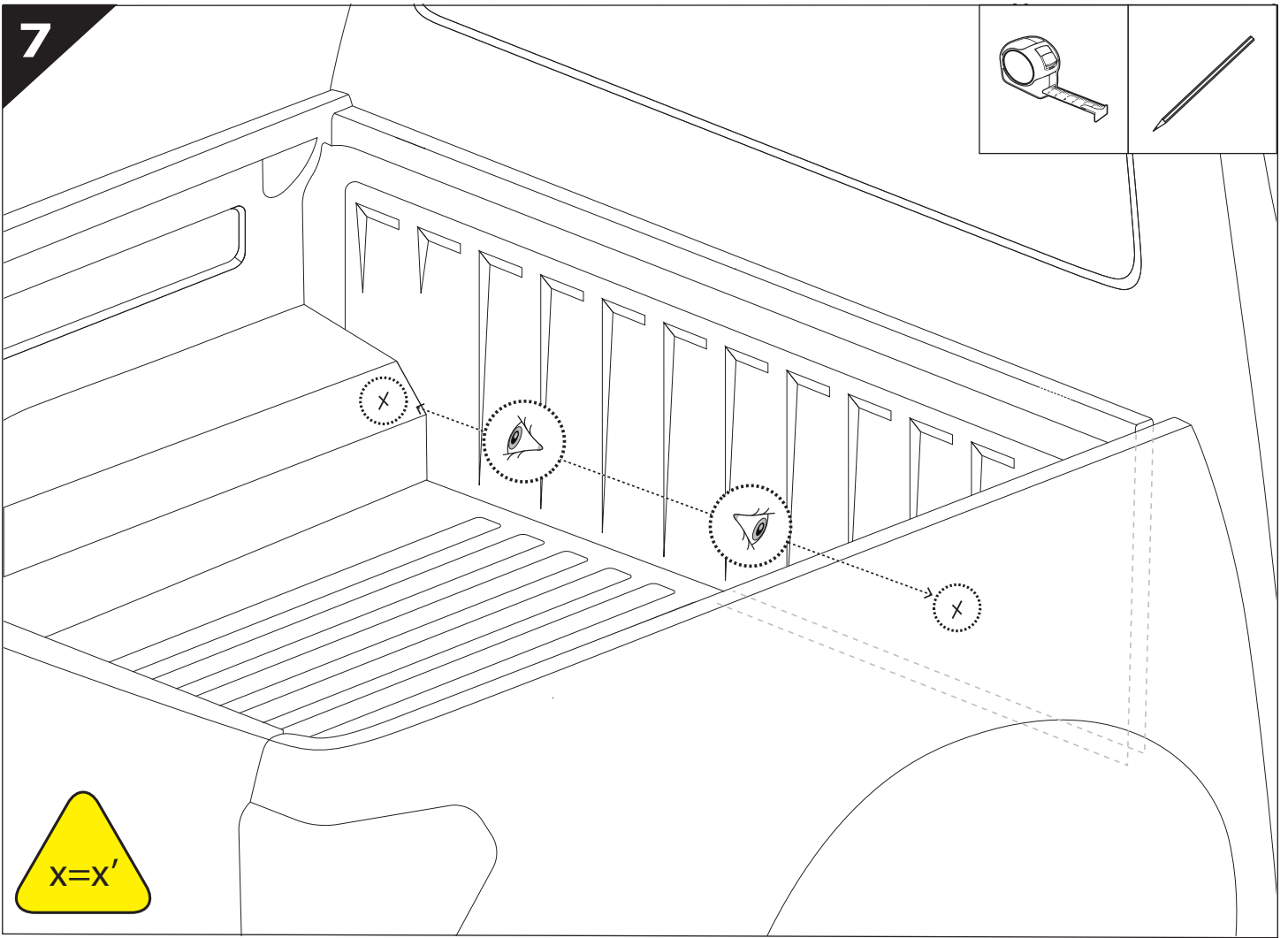
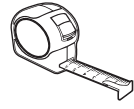


4





7



7.0

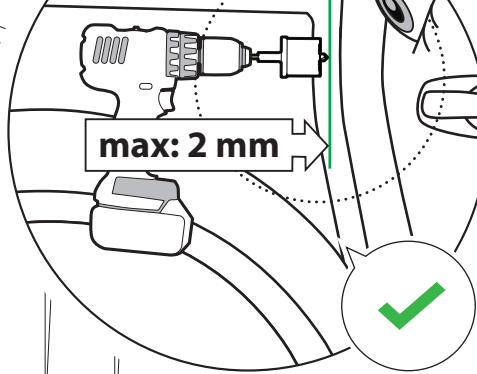


Ø 25 mm

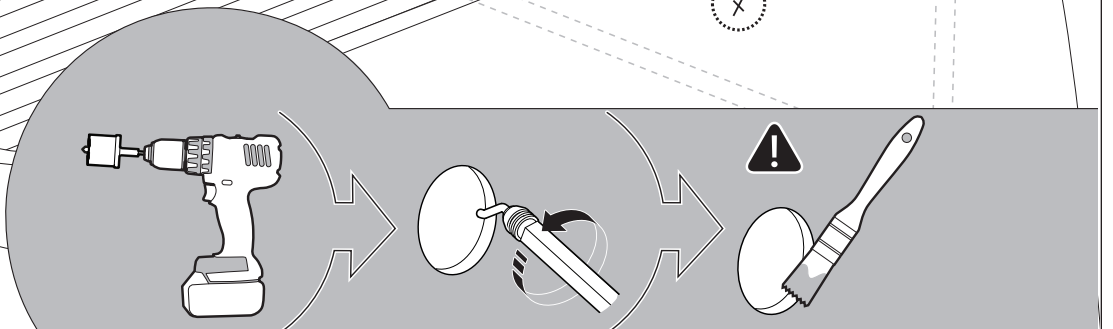
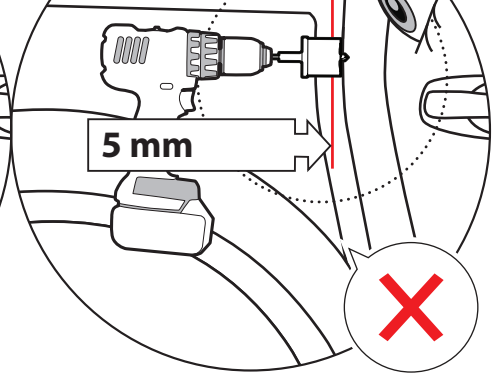


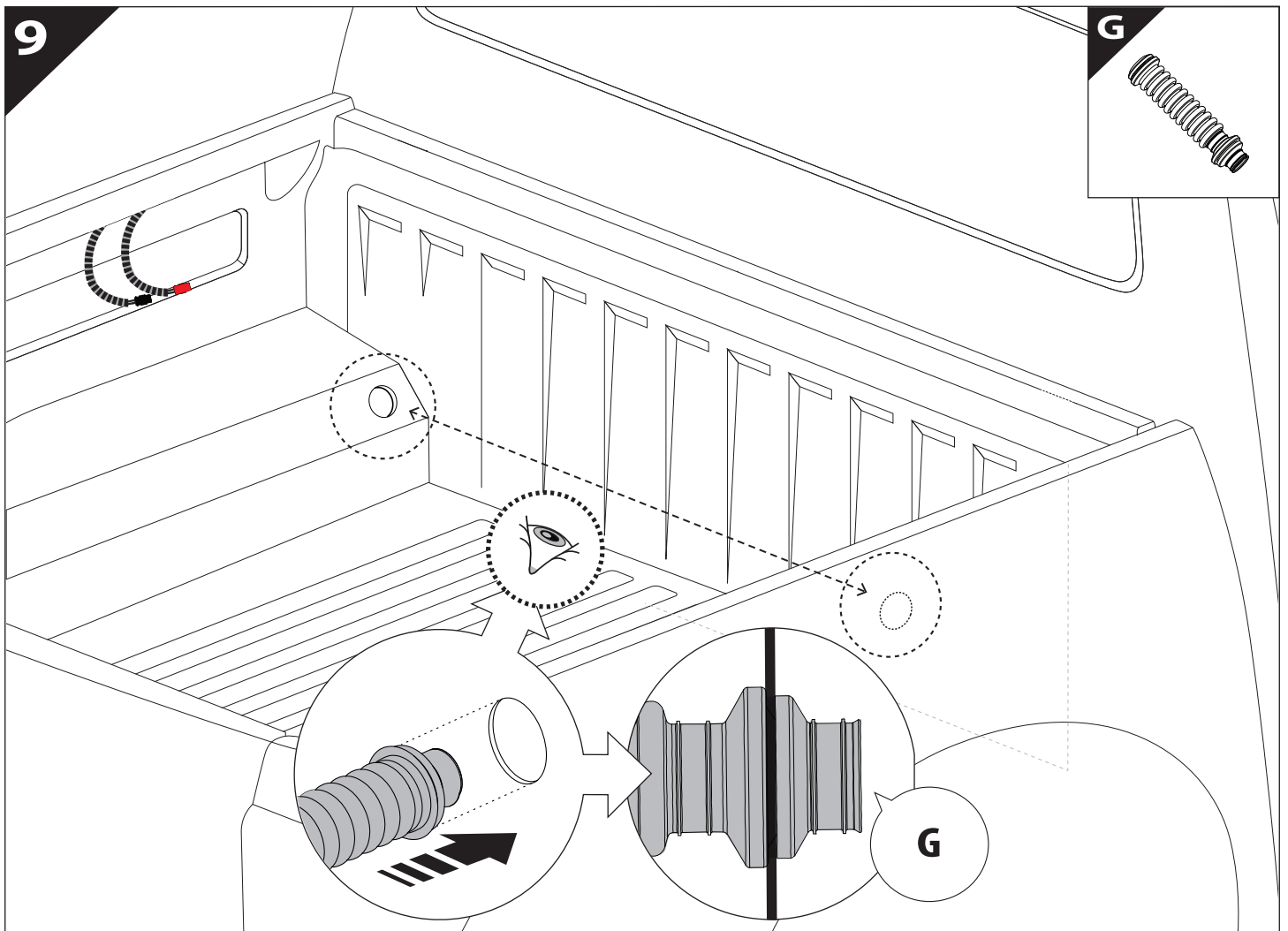
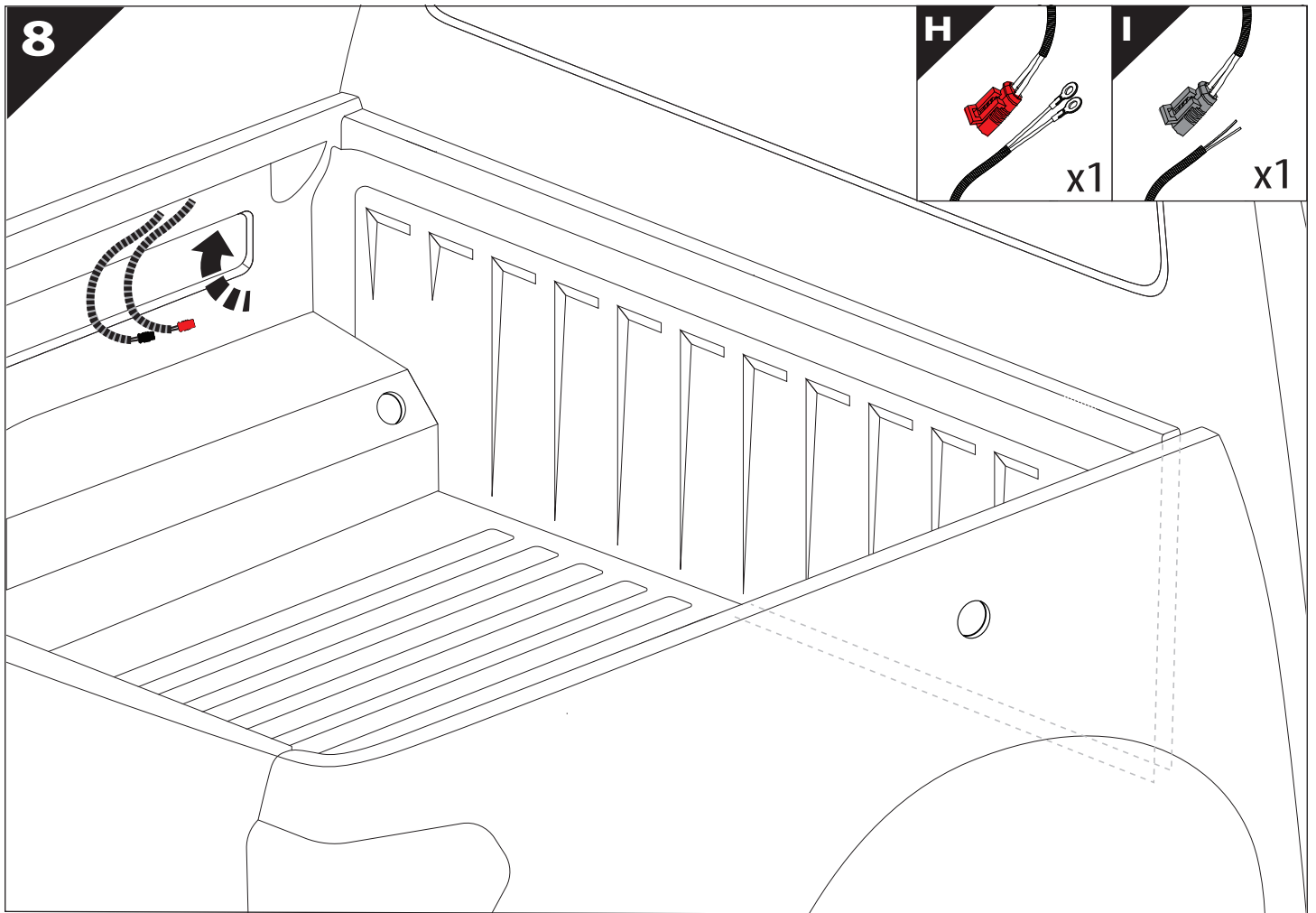
Rust Protection

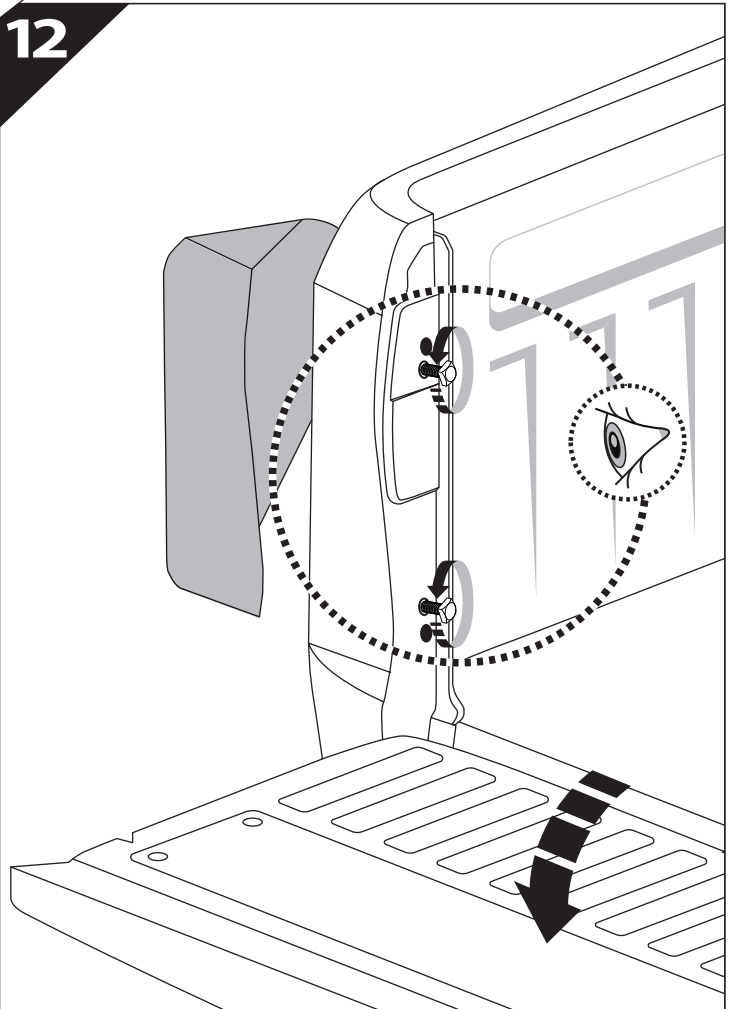
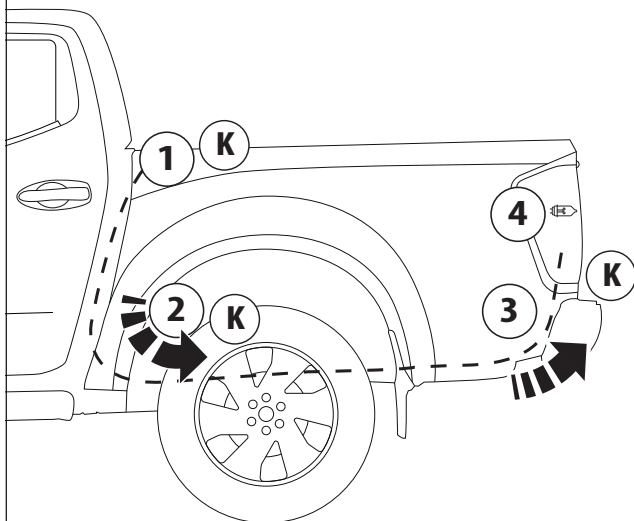
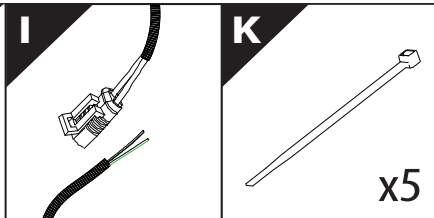
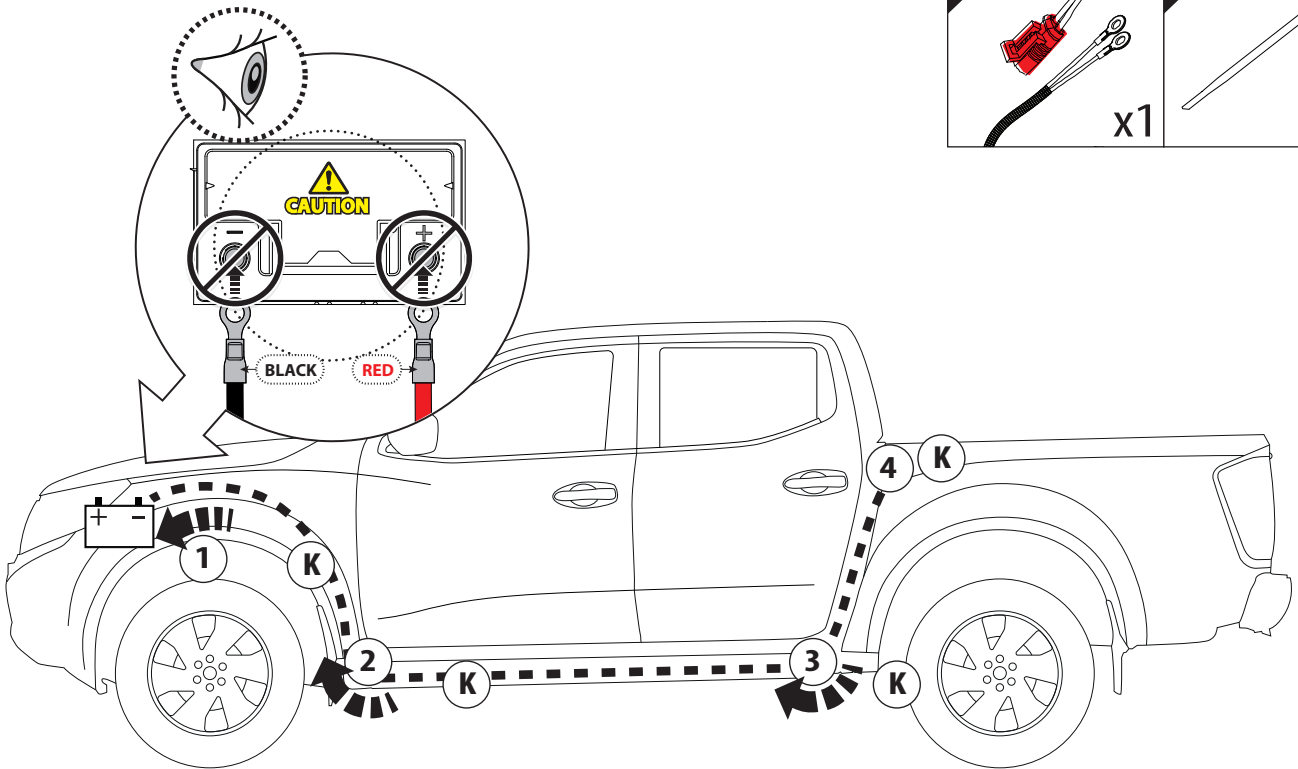
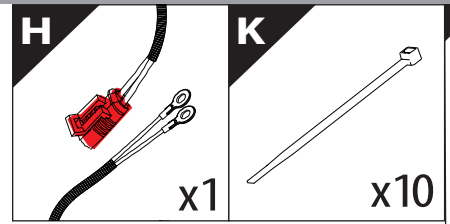
CAUTION



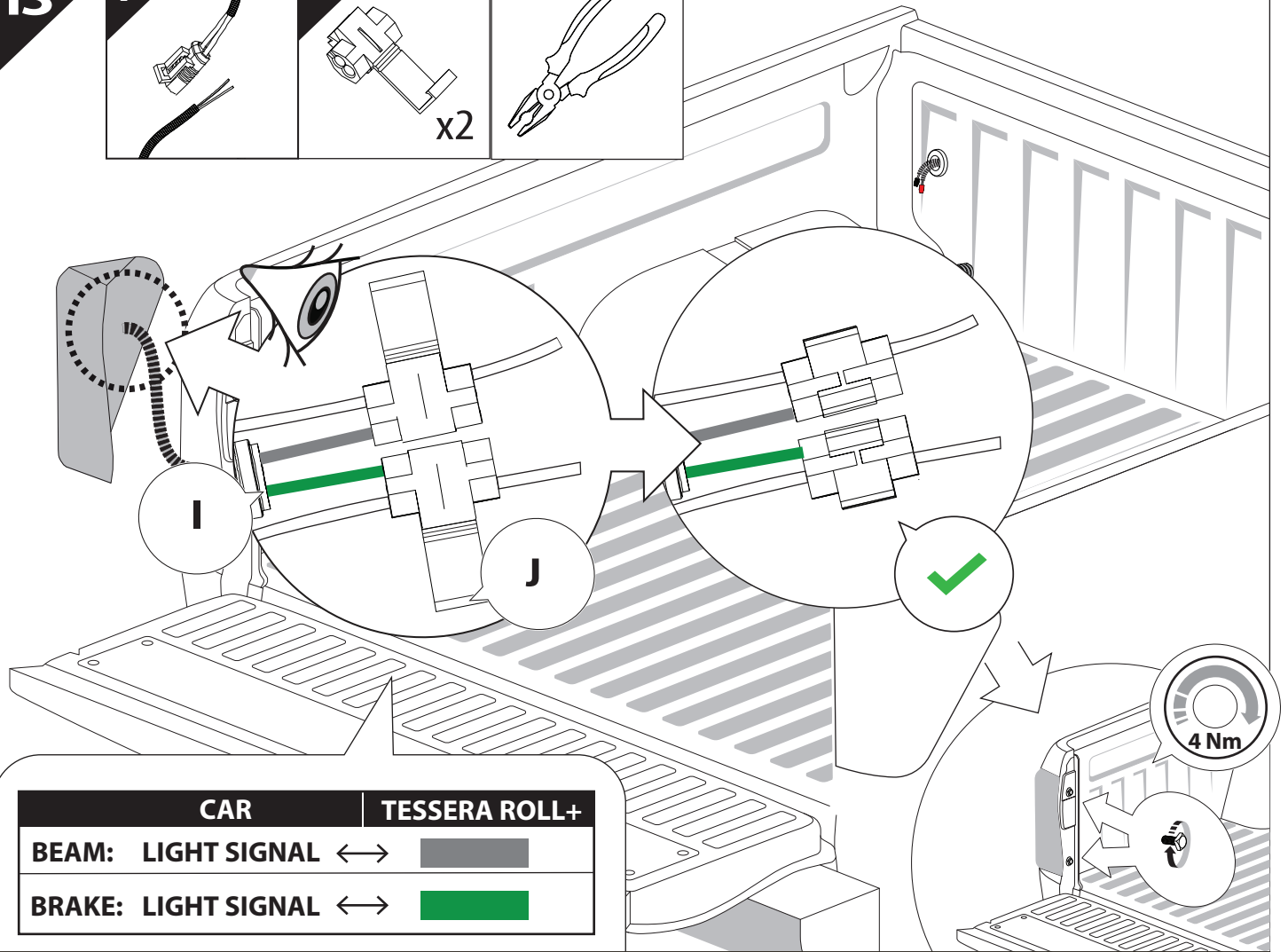
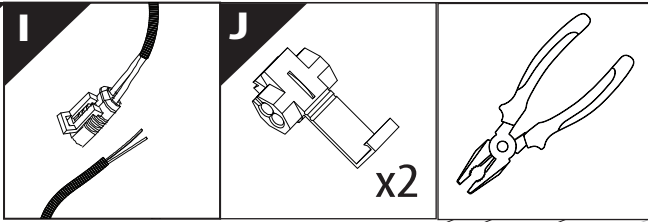
CAUTION







13

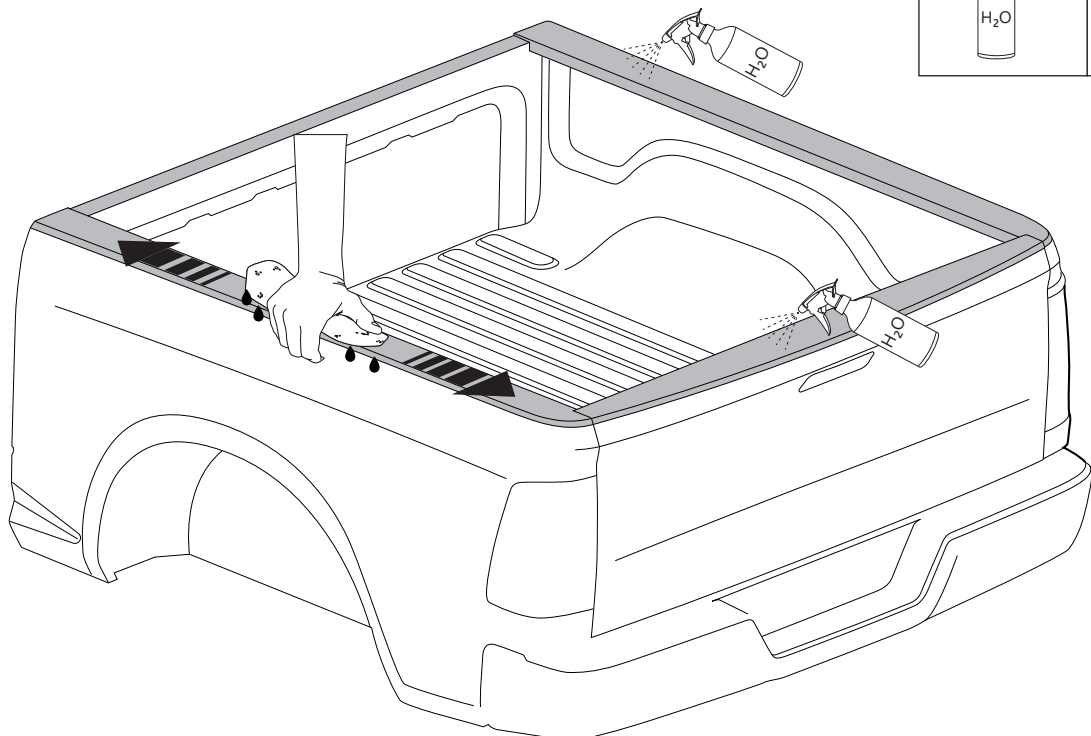
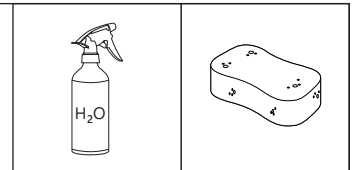


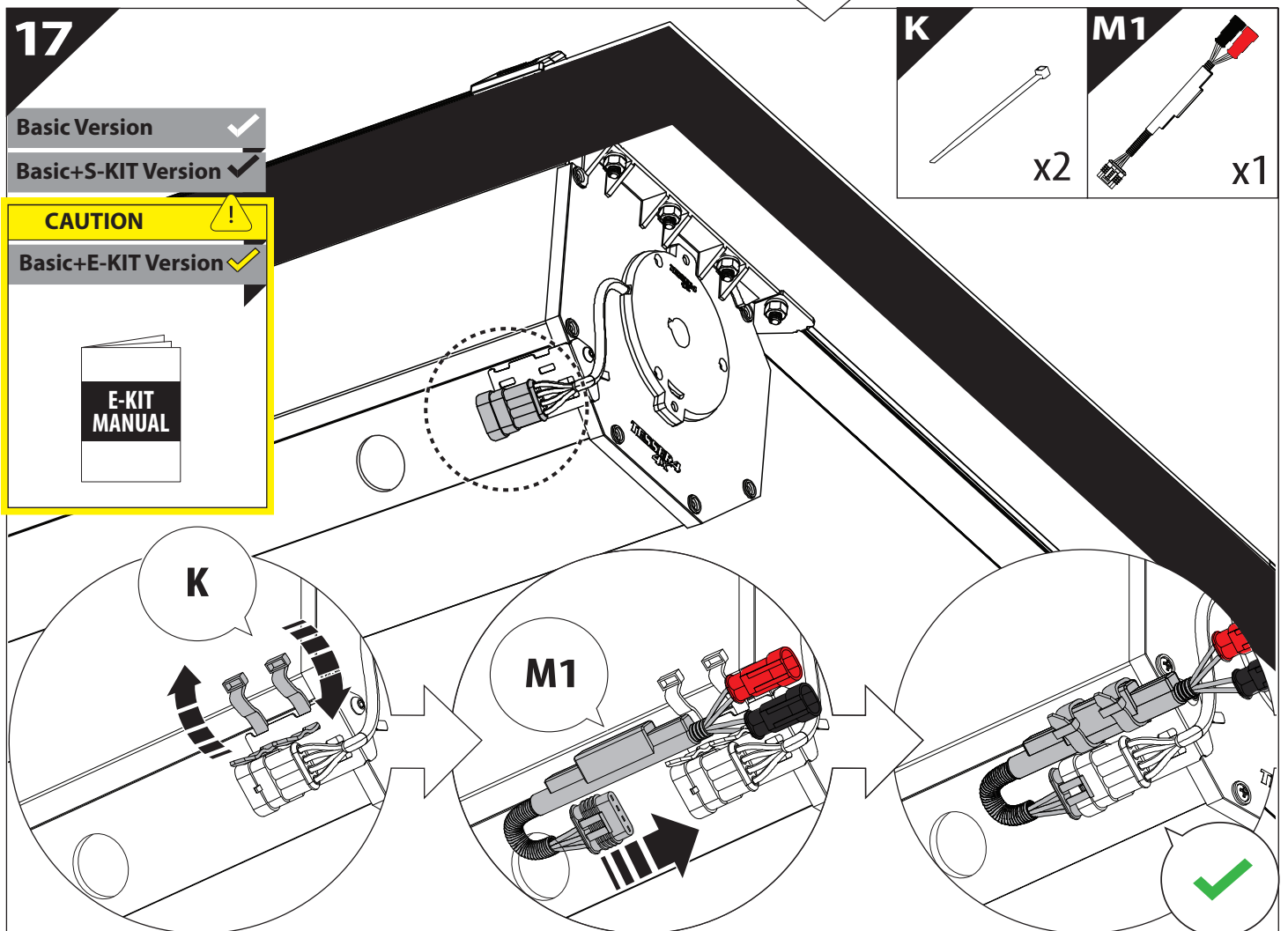
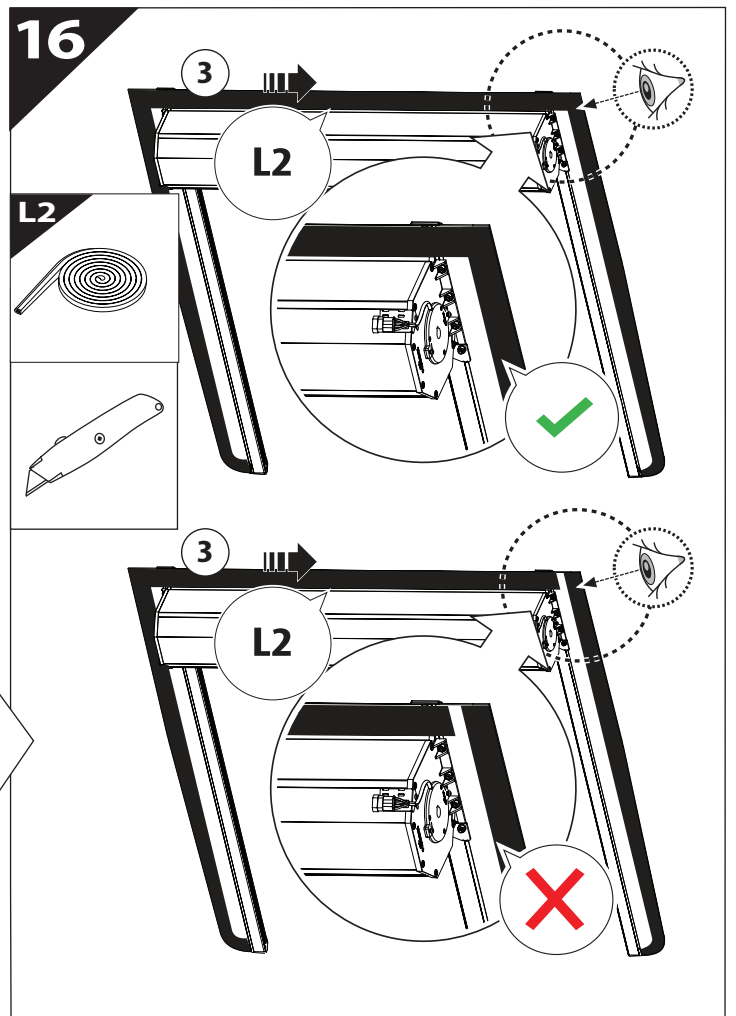
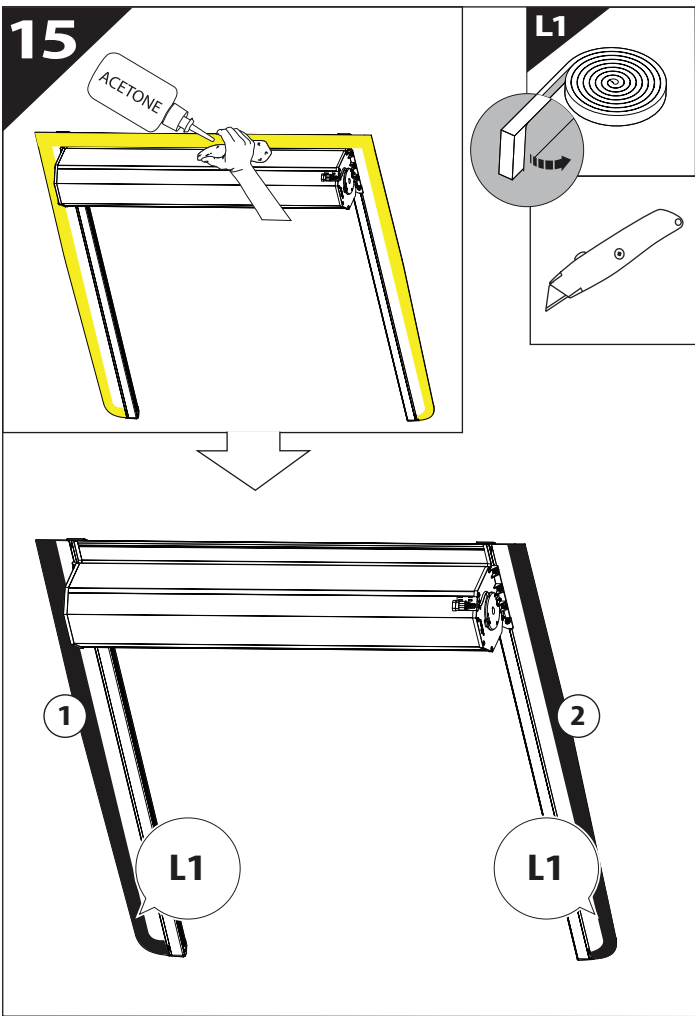
CAR	TESSERA ROLL+
BEAM: LIGHT SIGNAL ↔	
BRAKE: LIGHT SIGNAL ↔	



CAUTION: CONSULT A CERTIFIED AUTO MECHANIC OR AUTOMOTIVE ELECTRICIAN TO IDENTIFY THE CORRECT WIRING CABLES FOR BEAM AND BRAKE SIGNALS BEFORE MAKING ANY CONNECTIONS.

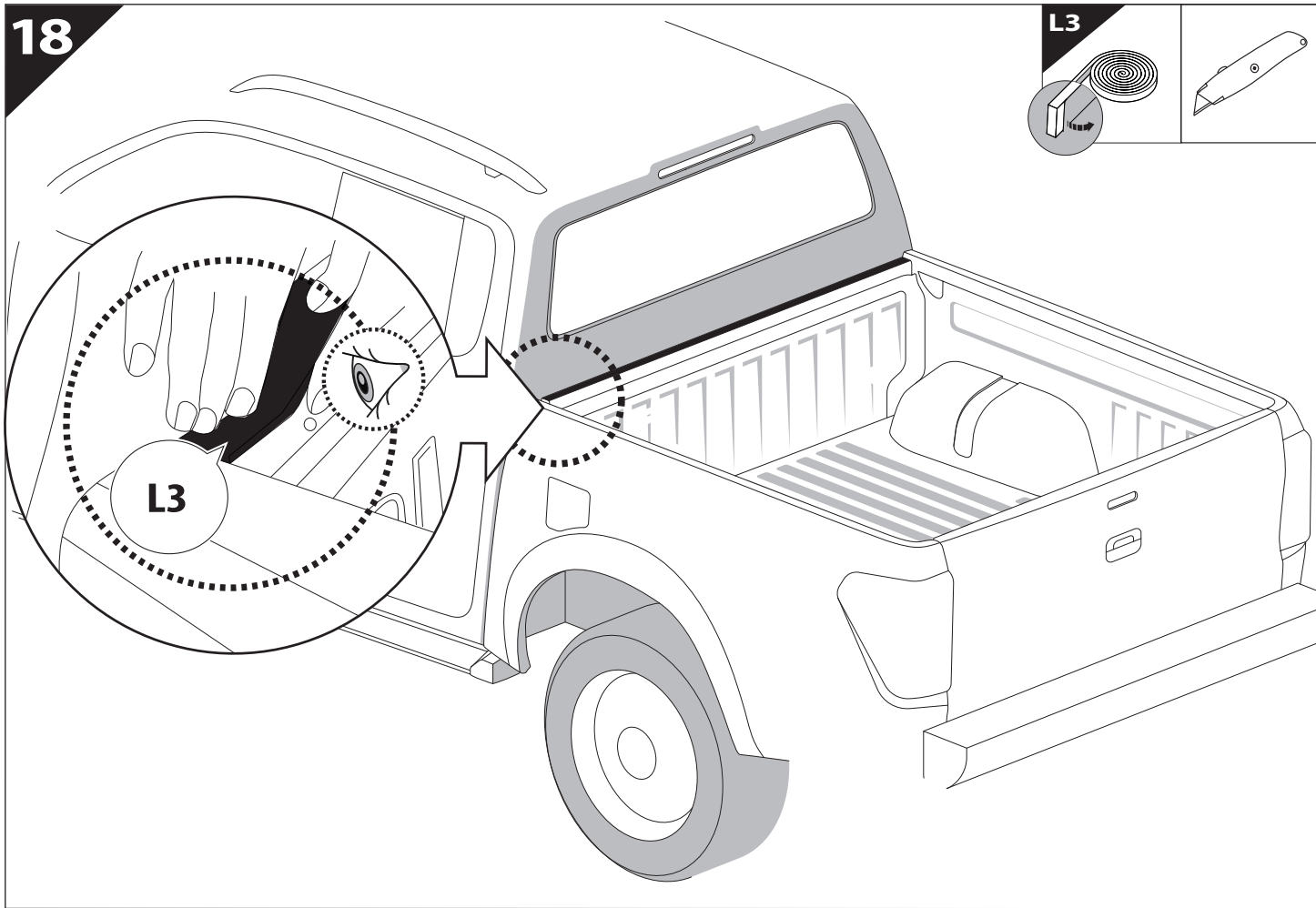
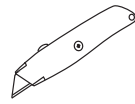
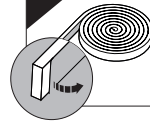
14



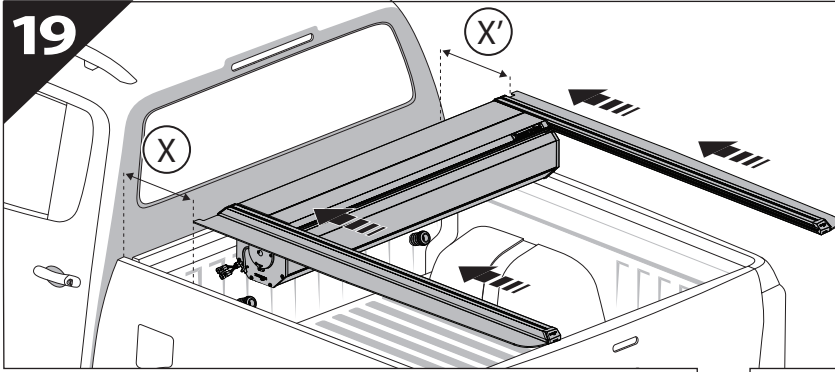


18

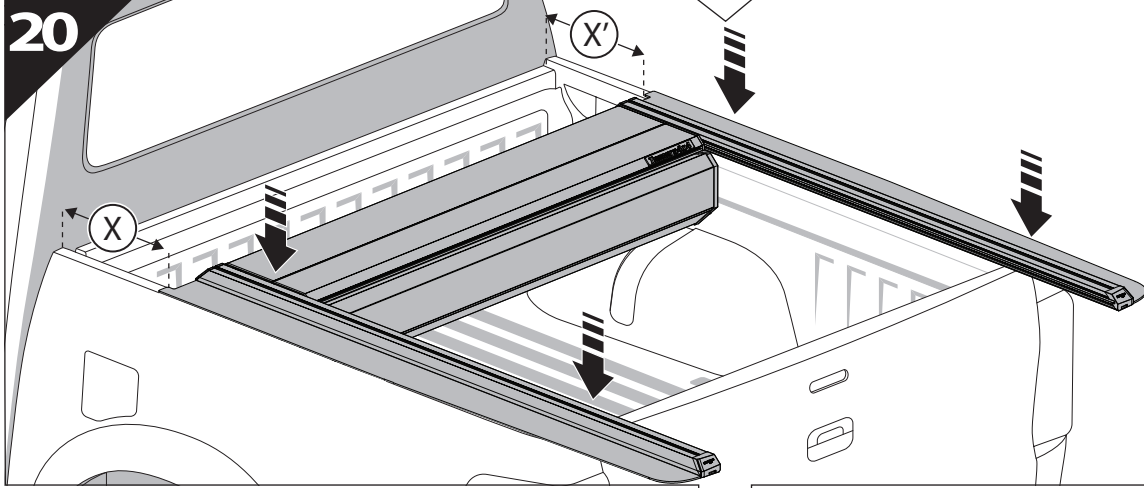
L3



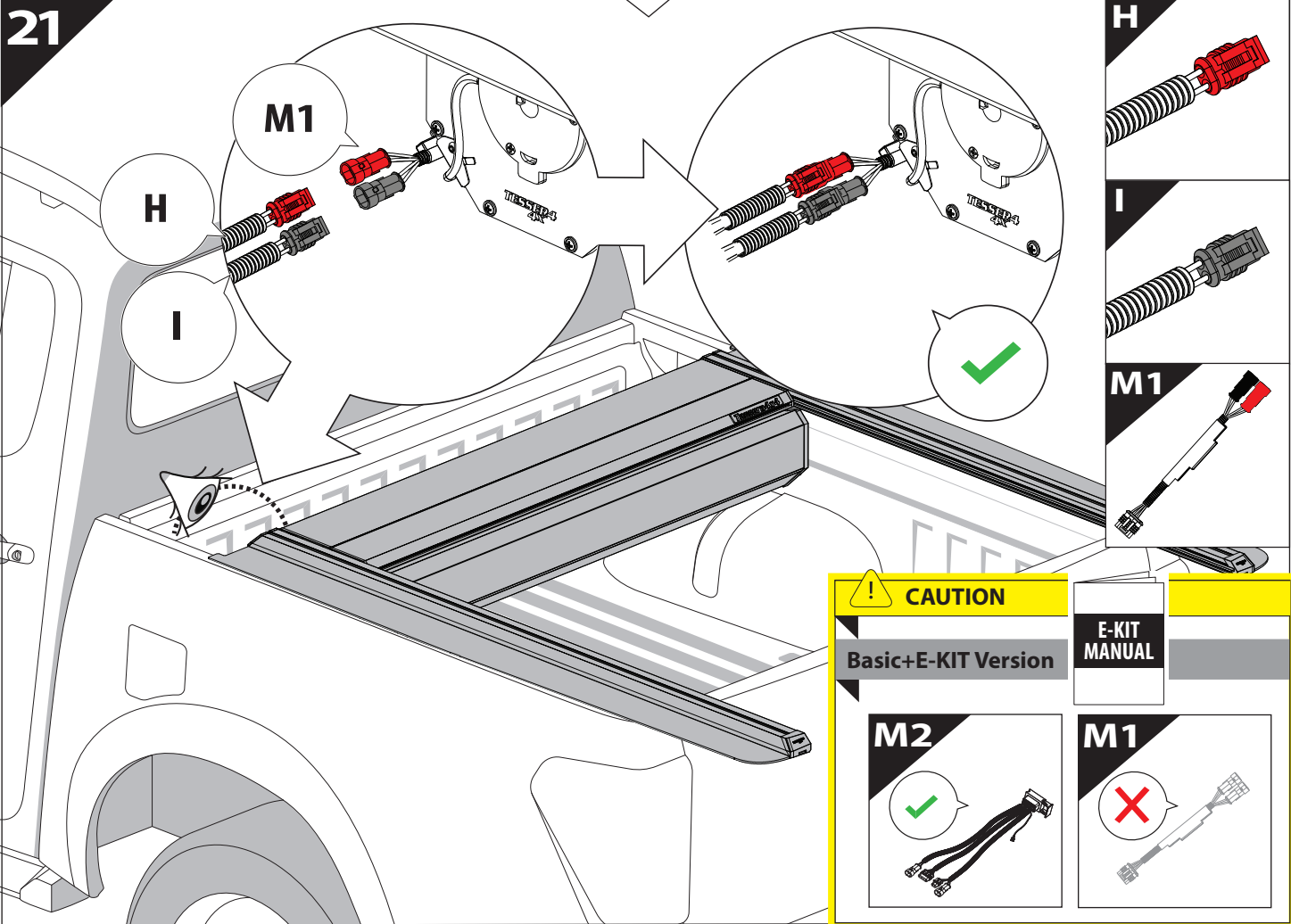
19



20

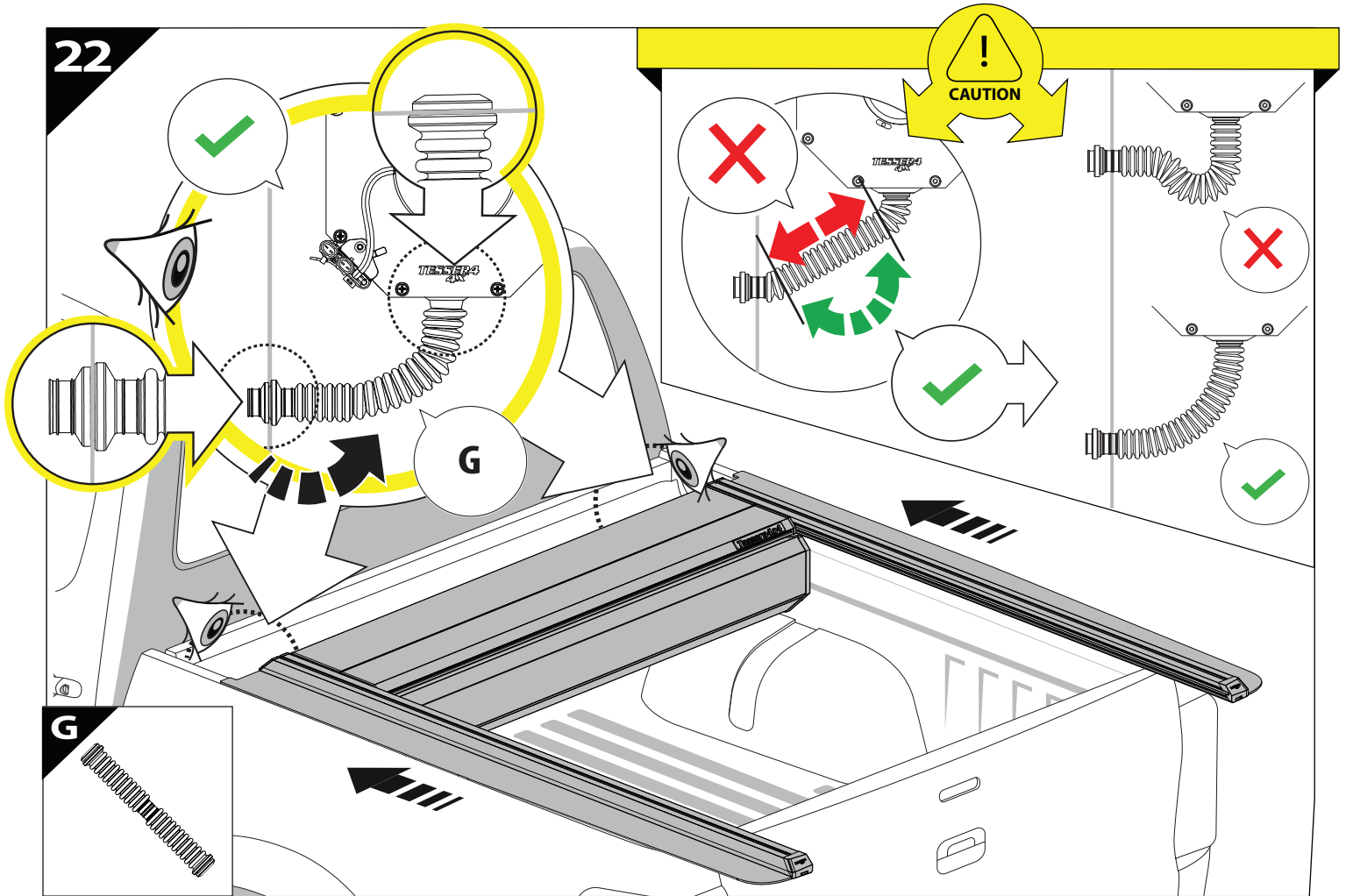


21

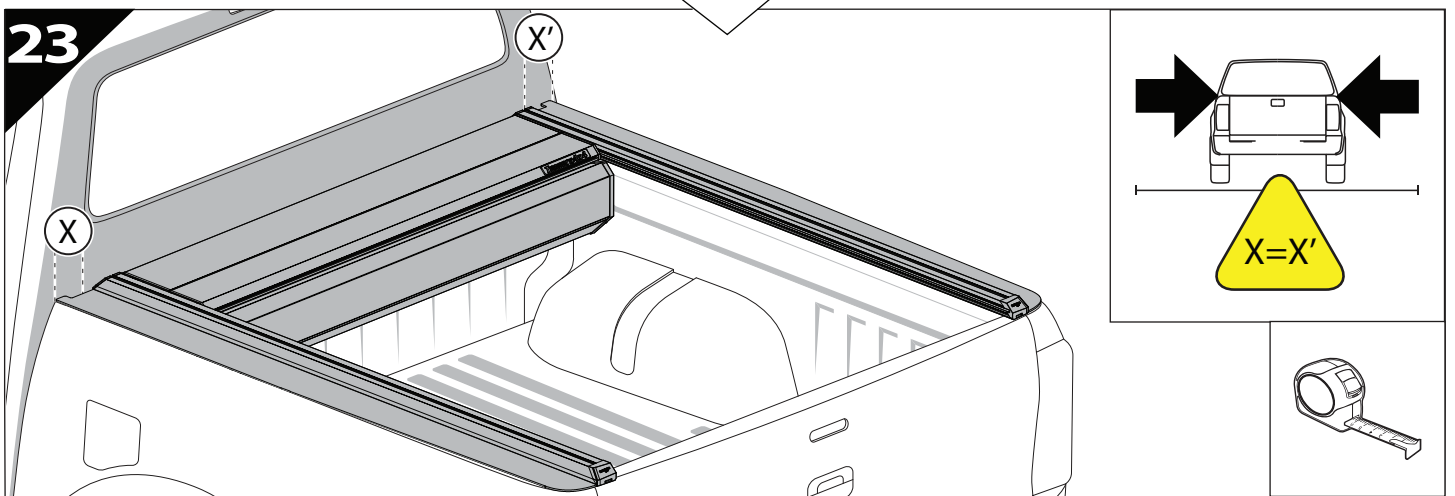


CAUTION	
Basic+E-KIT Version	
E-KIT MANUAL	
M2 ✓ 	M1 ✗

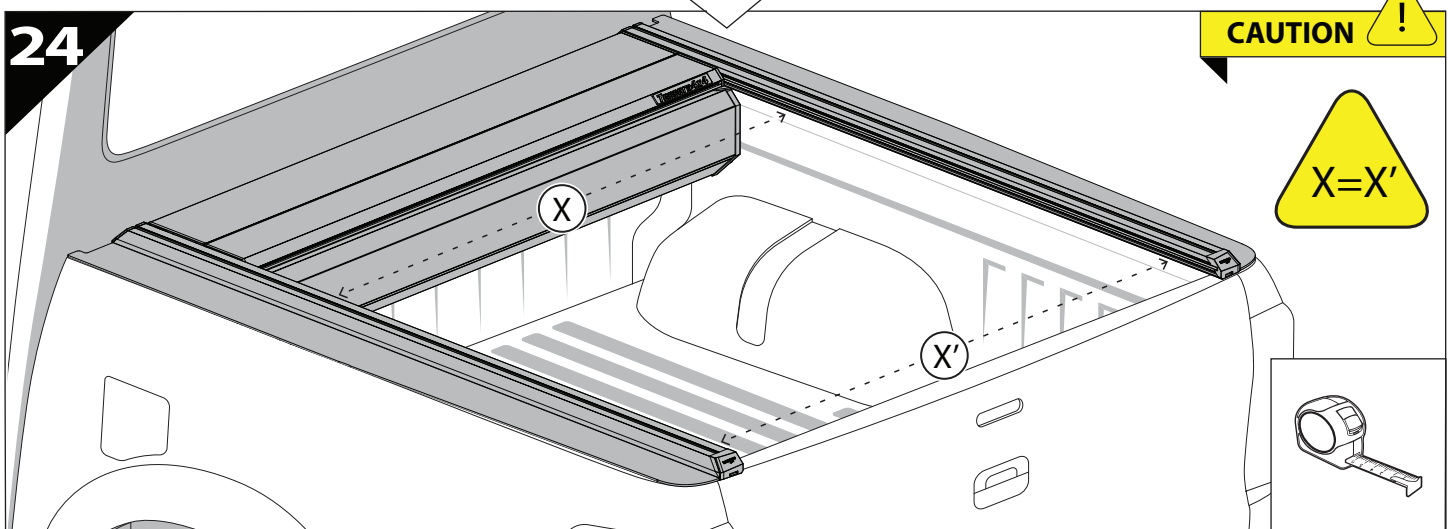
22

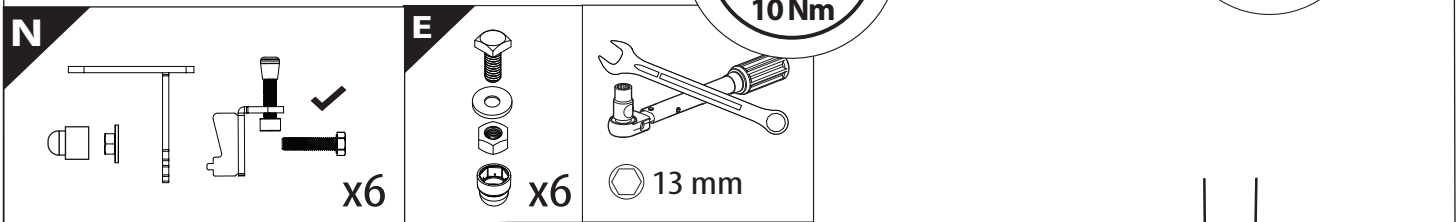
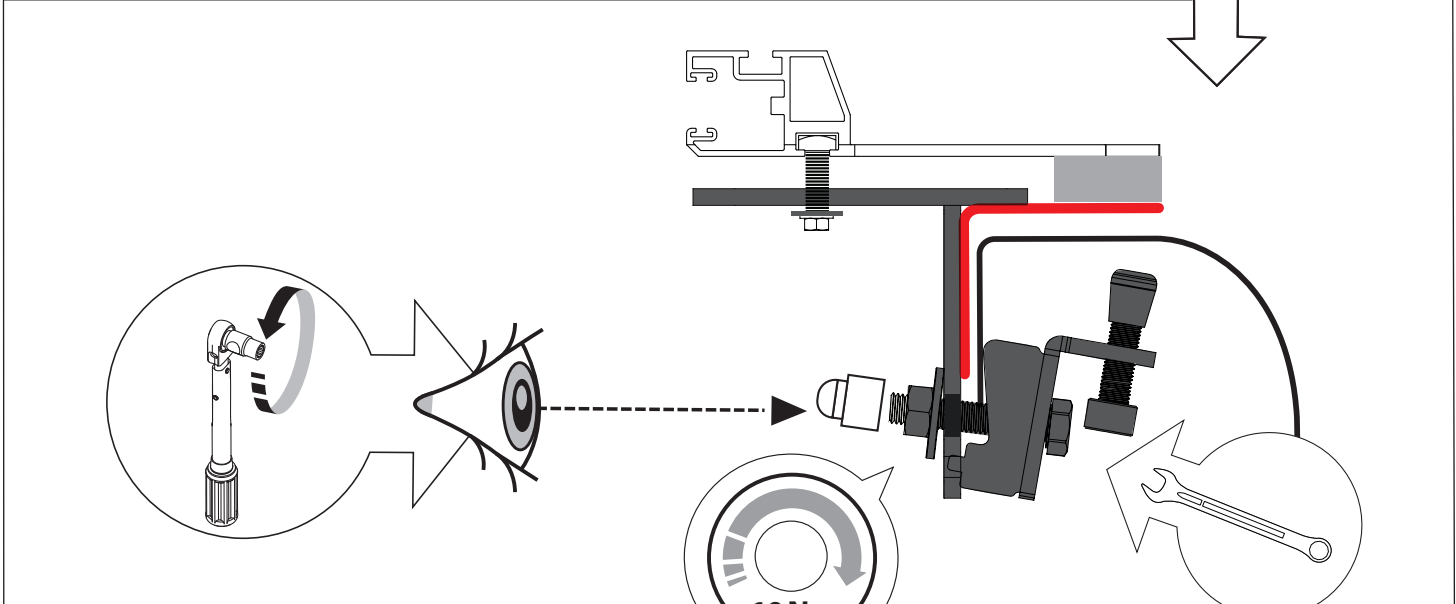
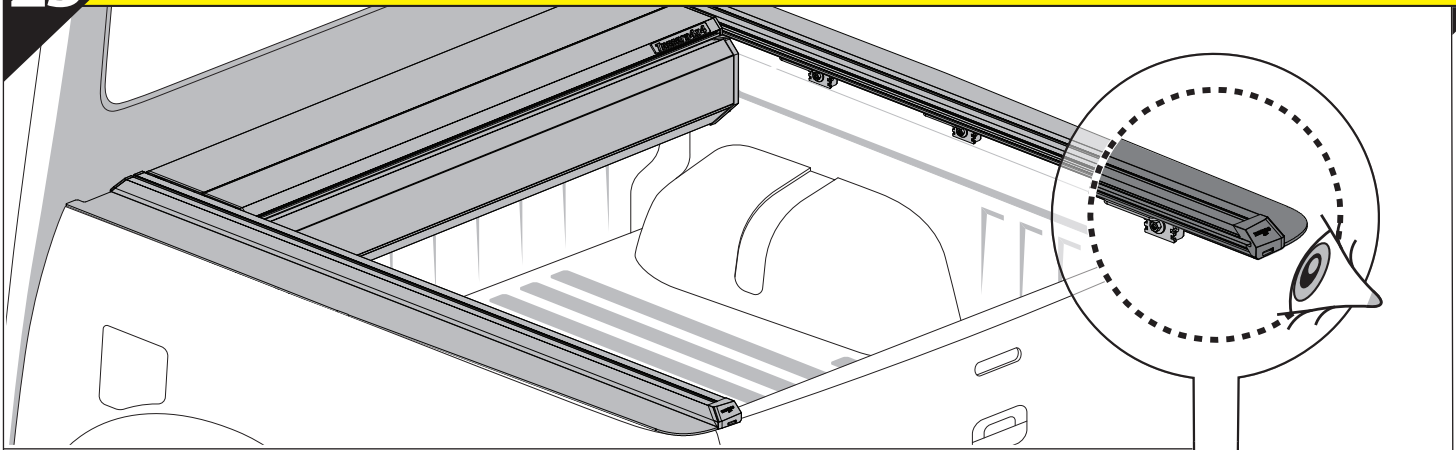


23

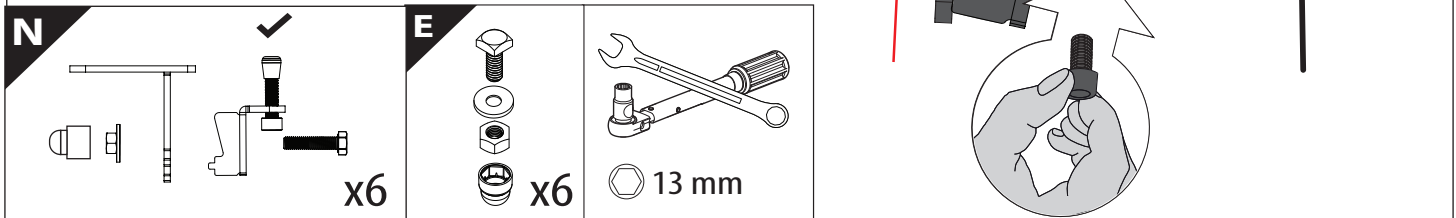
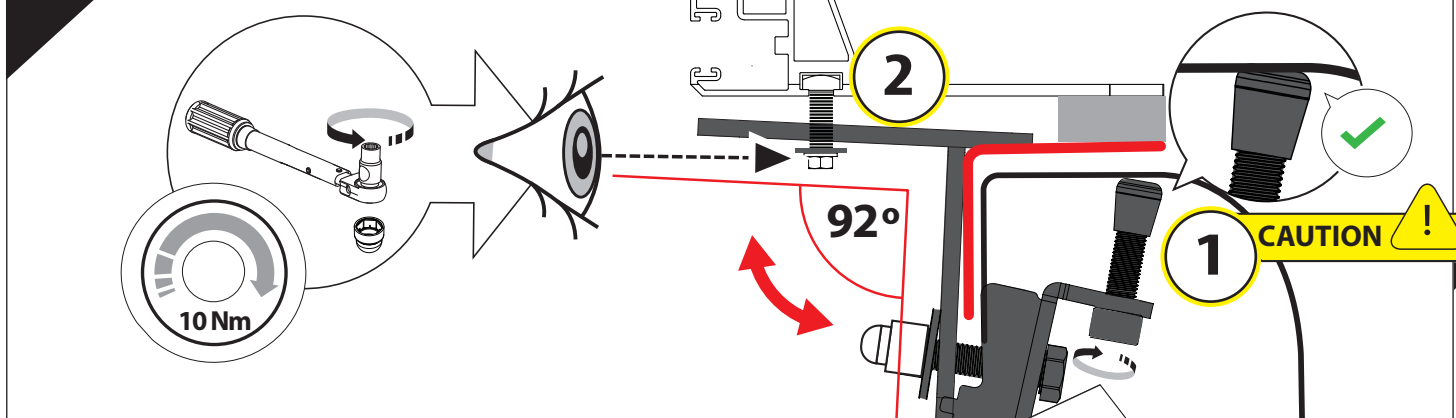


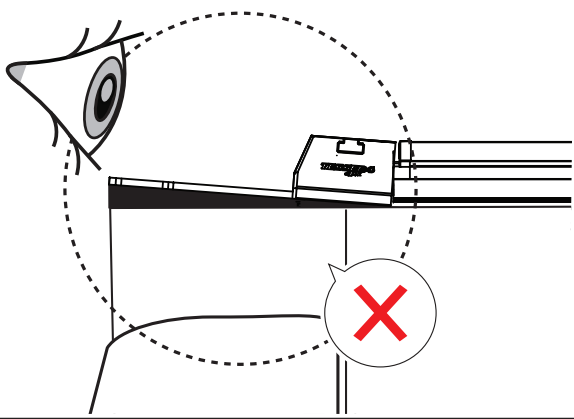
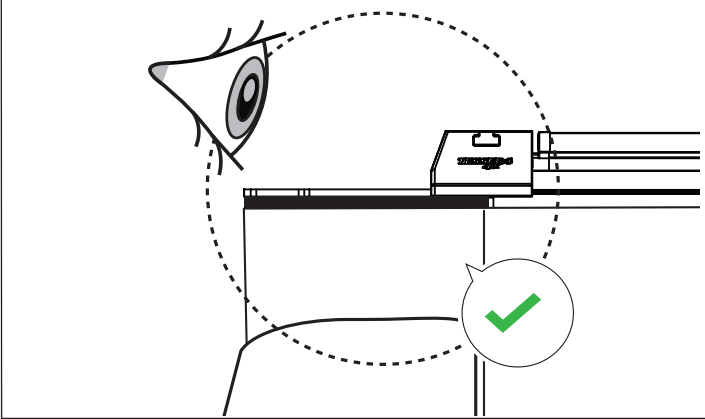
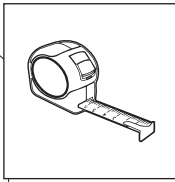
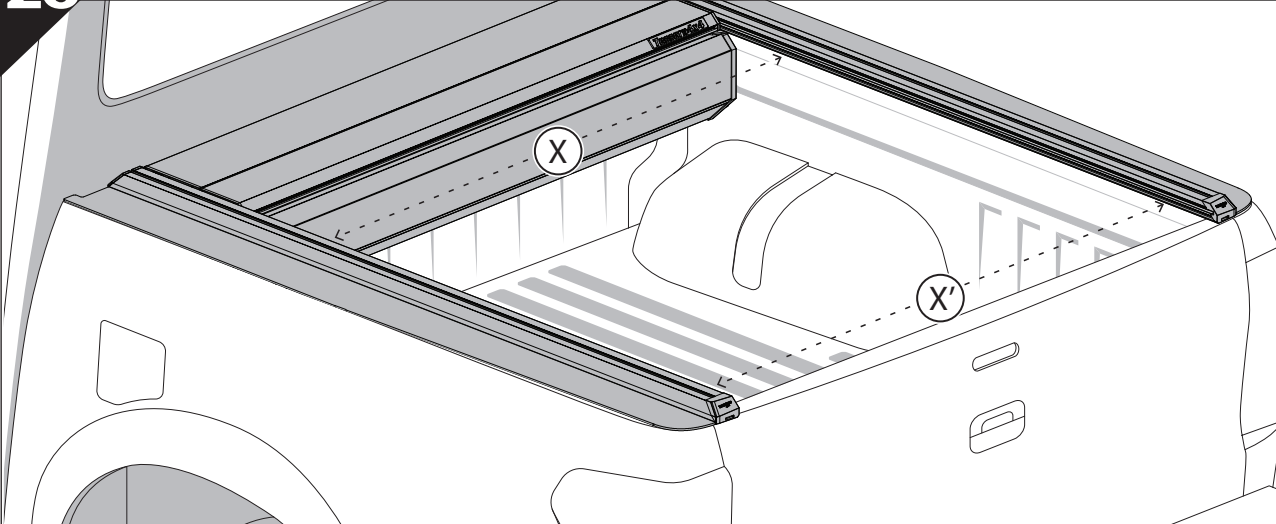
24



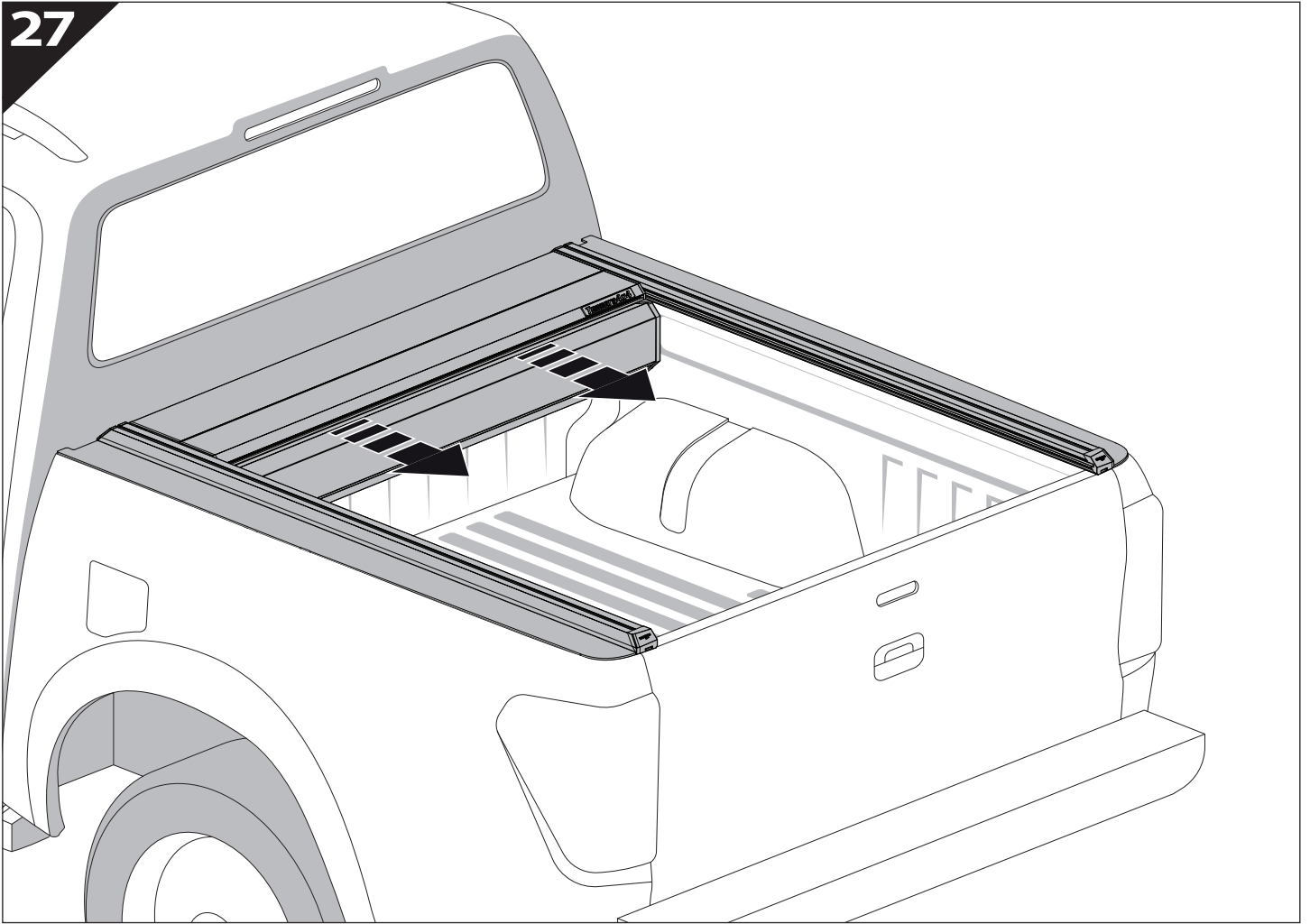


25.1

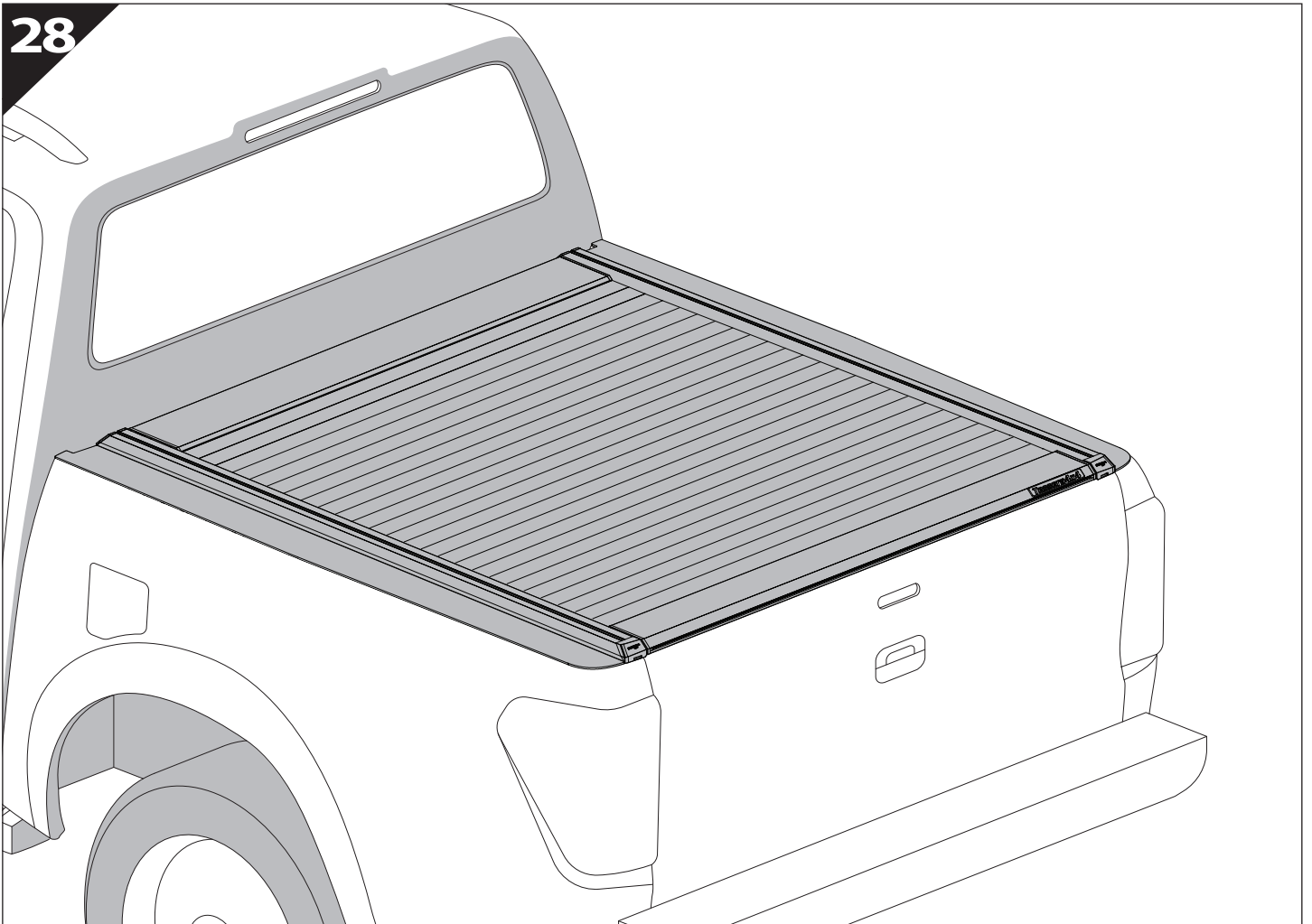




27



28





GR: Οδηγίες Εγκατάστασης
GB: Installation manual
SF: Asennusohje
F: Notice de montage
PL: Instrukcja montażu
NL: Installatie-instructies
TR: Montaj Talimatı
S: Monteringsanvisning
E: Instrucciones de montaje

H: Szerelési utasítás
P: Instruções de instalação
RUS: Инструкция по установке
N: Monteringsveiledning
D: Einbauanleitung
CZ: Návod k instalaci
I: Istruzioni de montaggio
DK: Monteringsvejledning
RO: Instructiuni de instalare

Customer Service:

+30 (210) 5541161, +30 (210) 5541154 (08:00 - 16:00 EET)

Support department:

info@gianso.gr

Website:

www.tessera4x4.com

Address:

19.5 km of National road Athens-Korinthos (Elefsina) Greece, P.C: 19200