

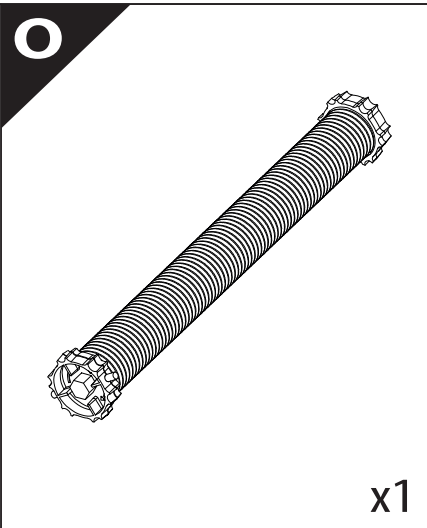
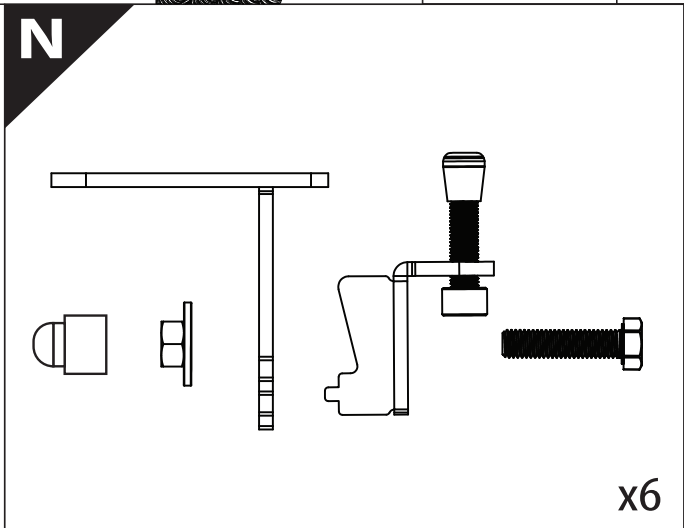
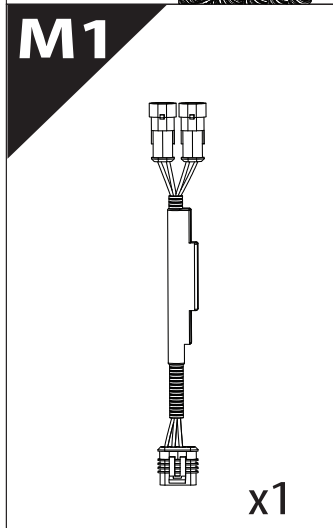
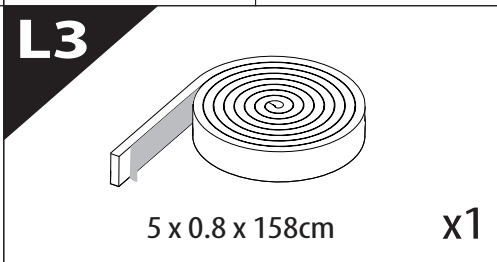
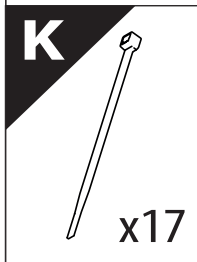
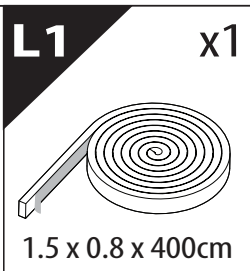
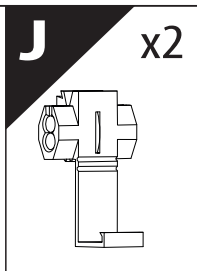
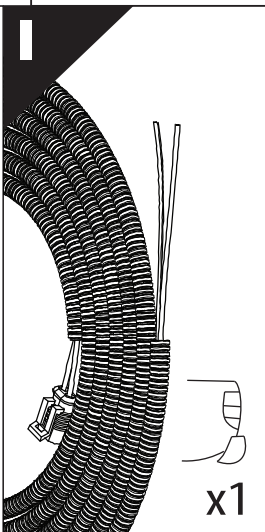
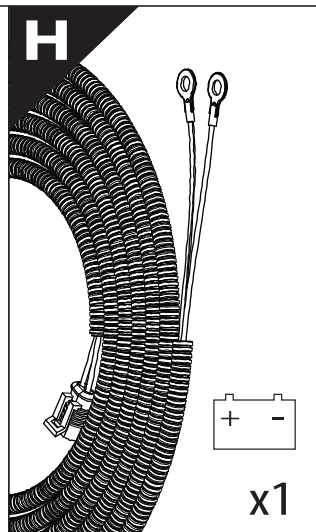
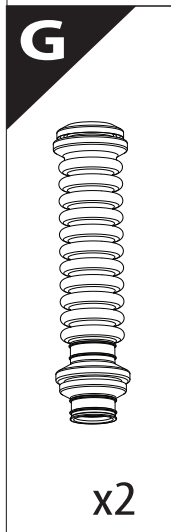
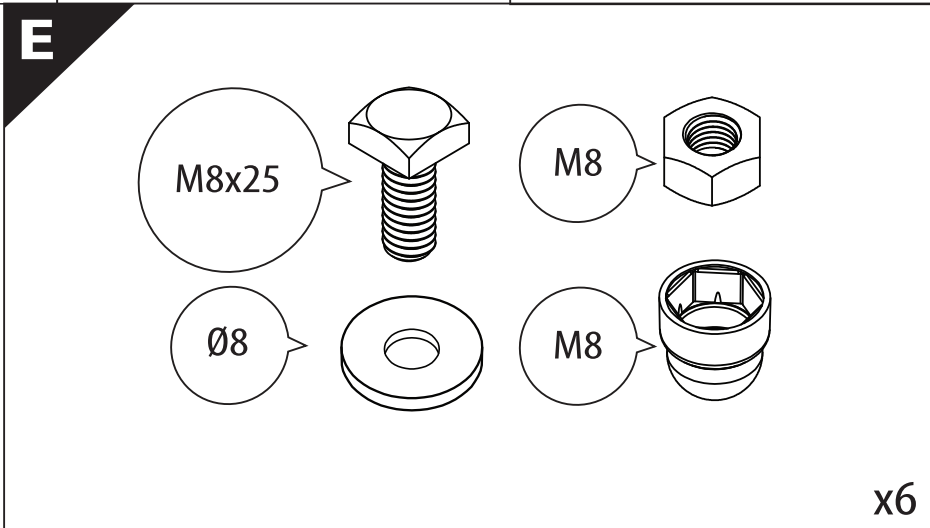
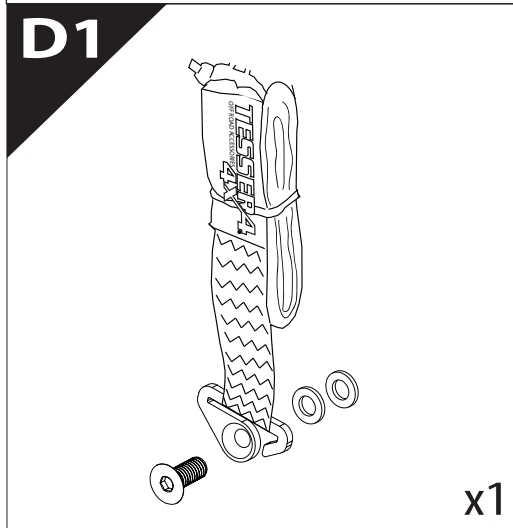
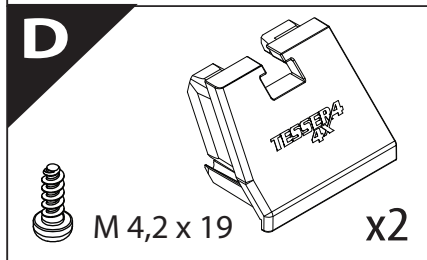
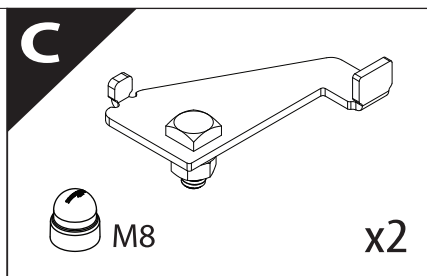
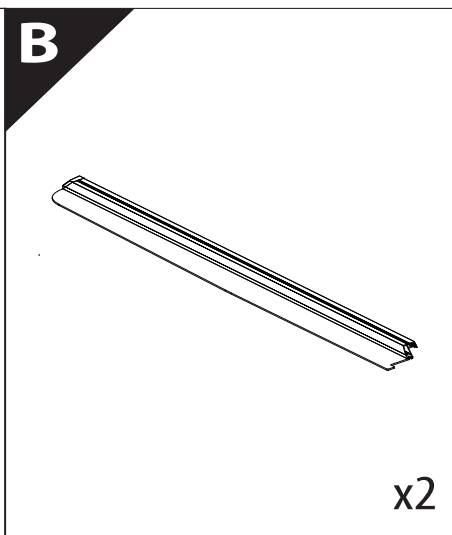
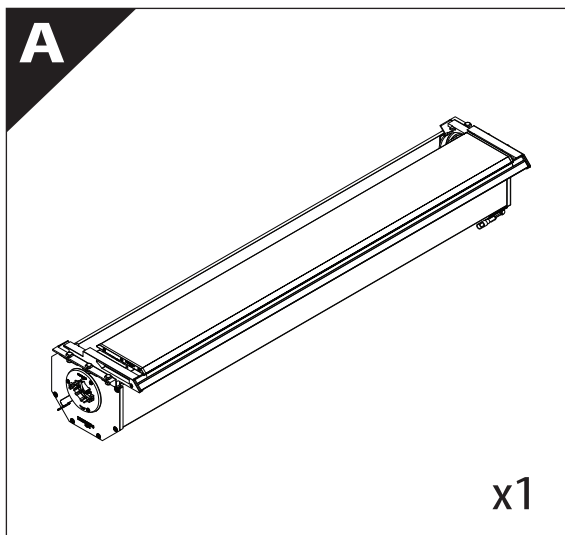
Tessera Roll+

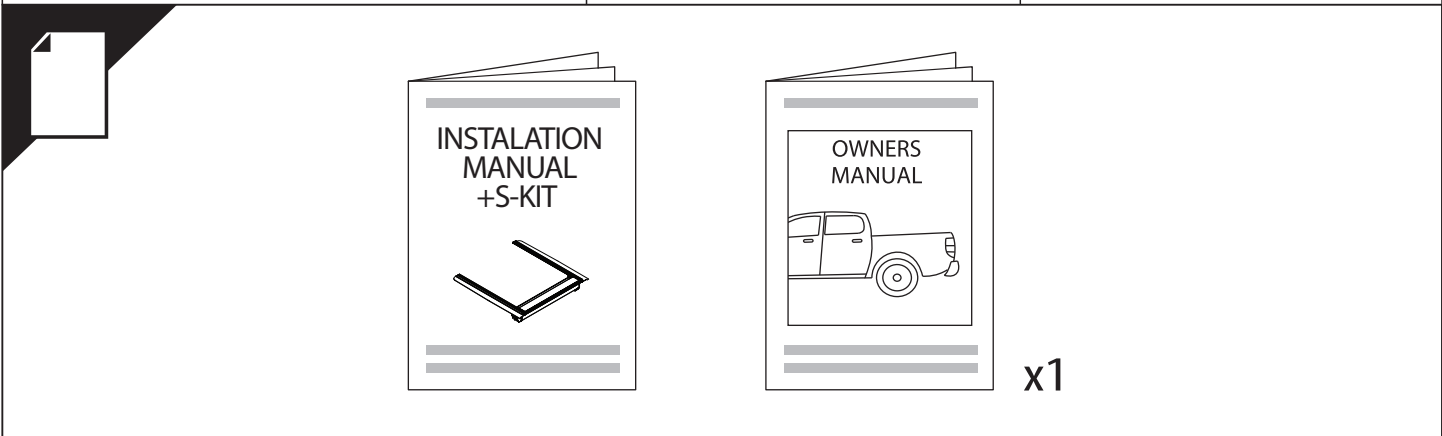
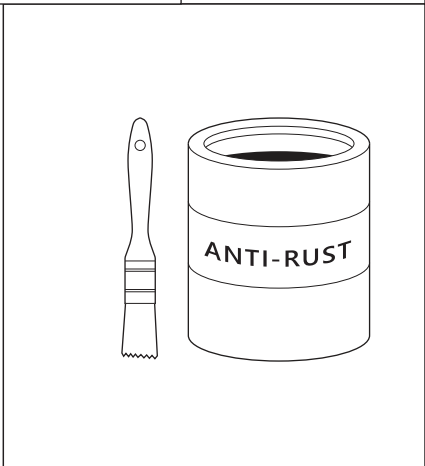
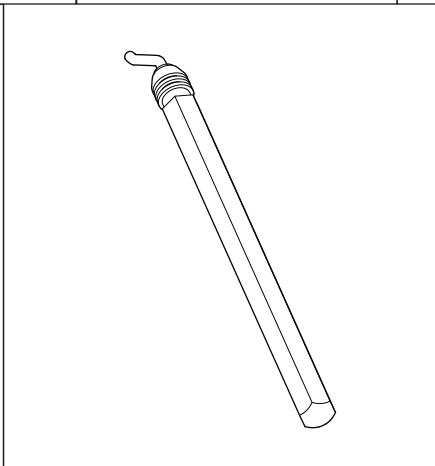
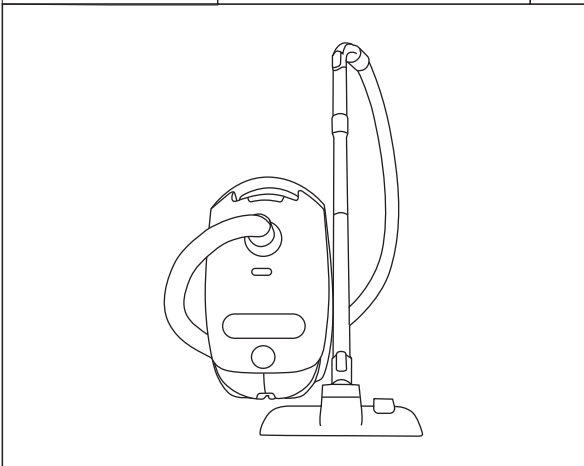
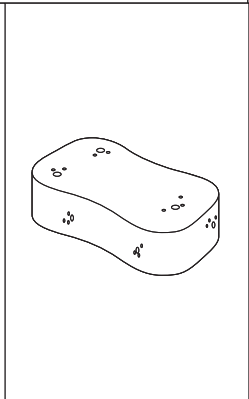
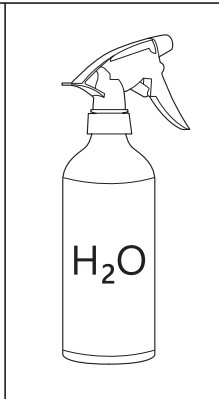
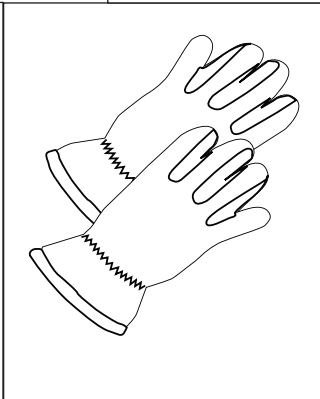
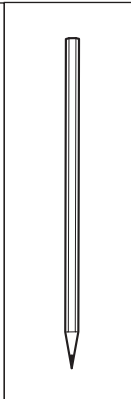
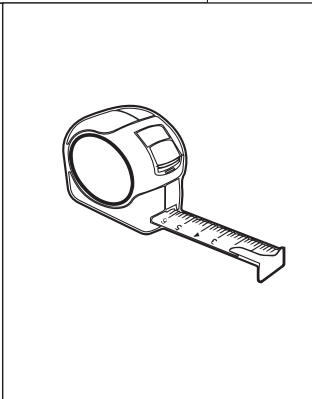
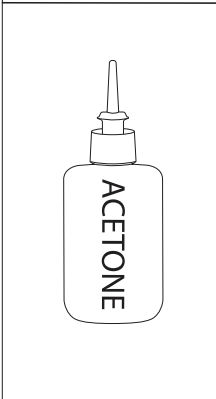
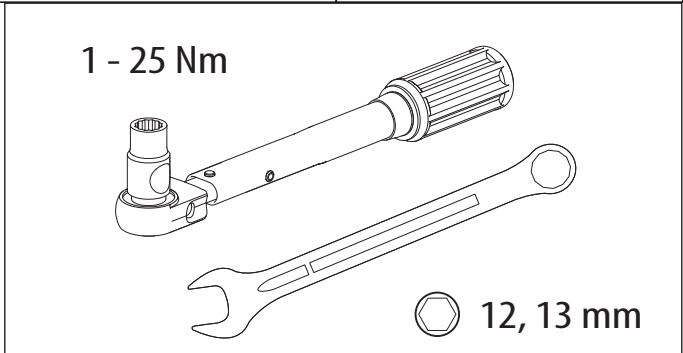
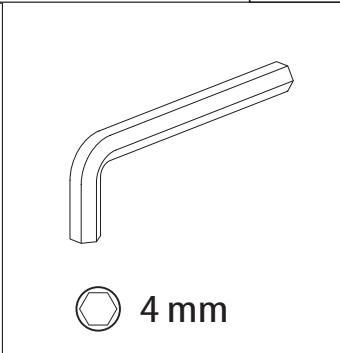
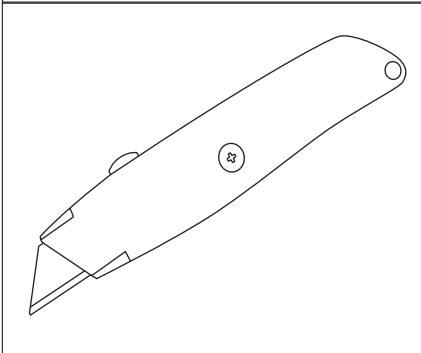
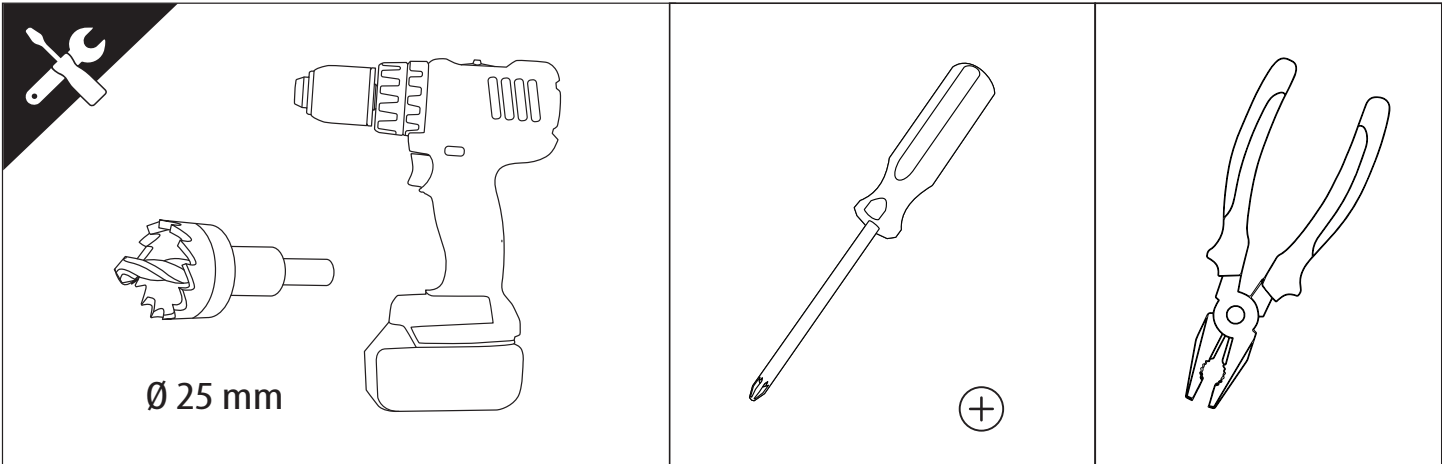
Basic Version + ⚙️ S-KIT

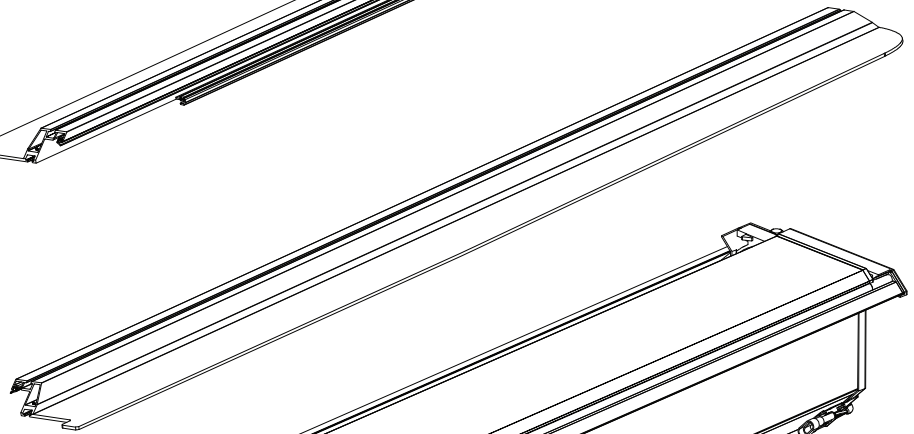
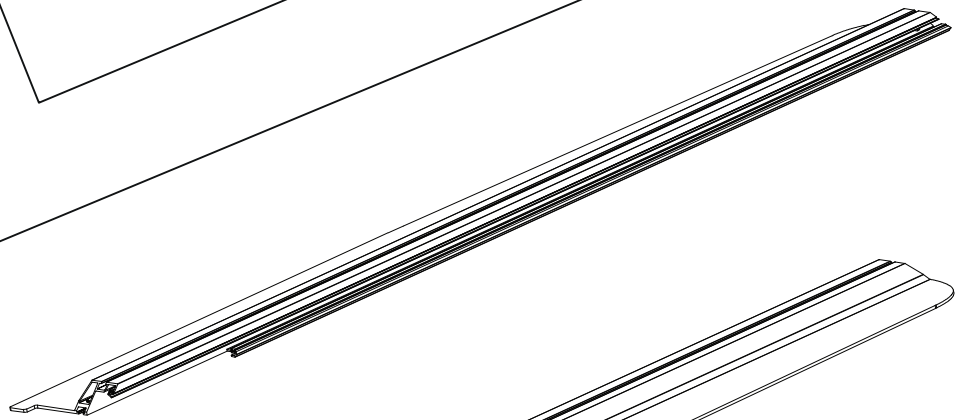
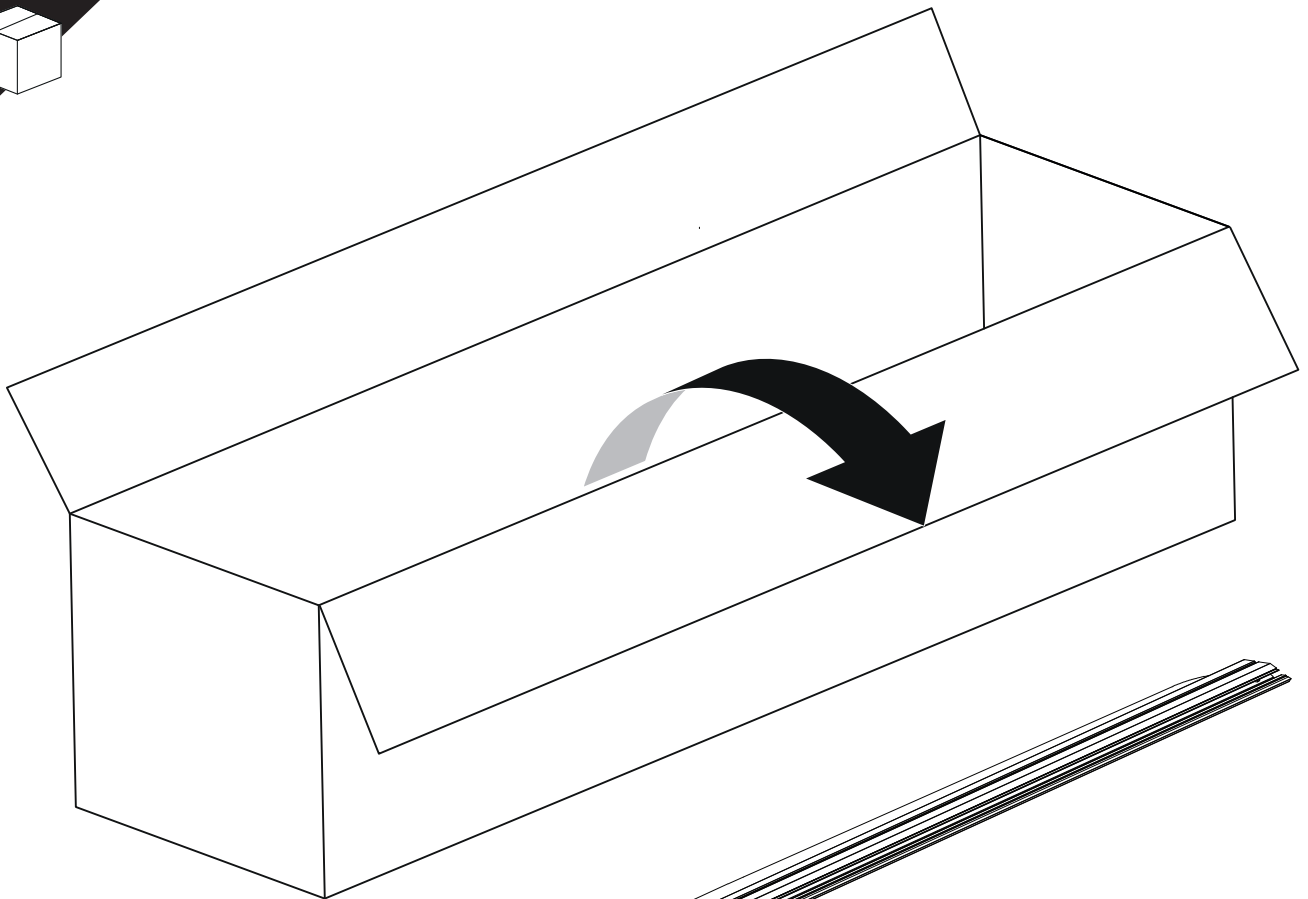


Installation Manual

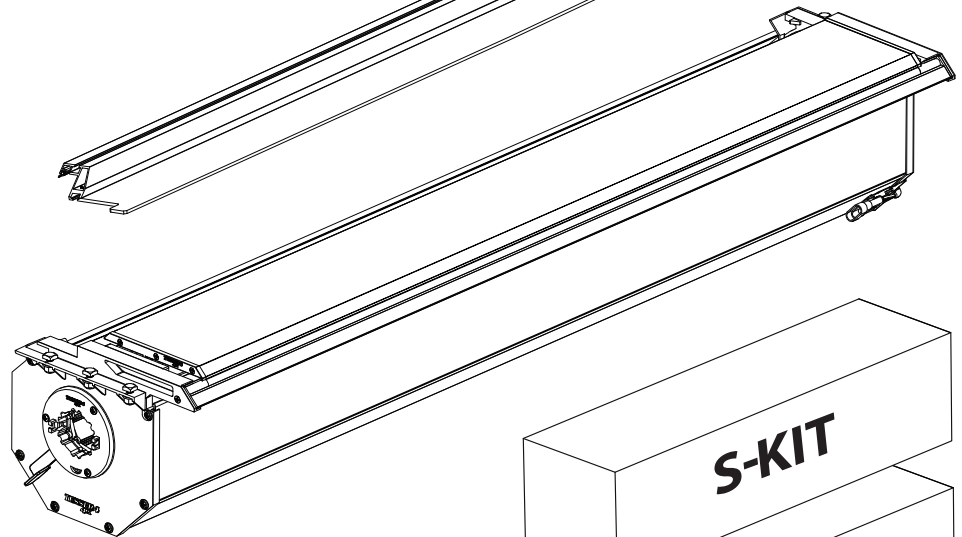
PART NUMBER(S)	Model Year
TESS 1456 ROLL+S-KIT	GMC Hummer EV 2025+
FEET	Installation Time / Weight
5 Feet	40-60 minutes / 53-57 kg



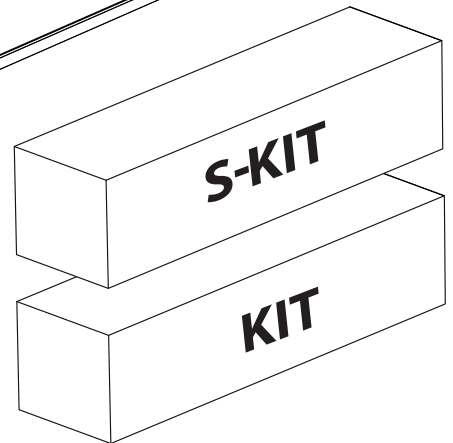




B

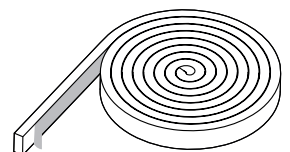


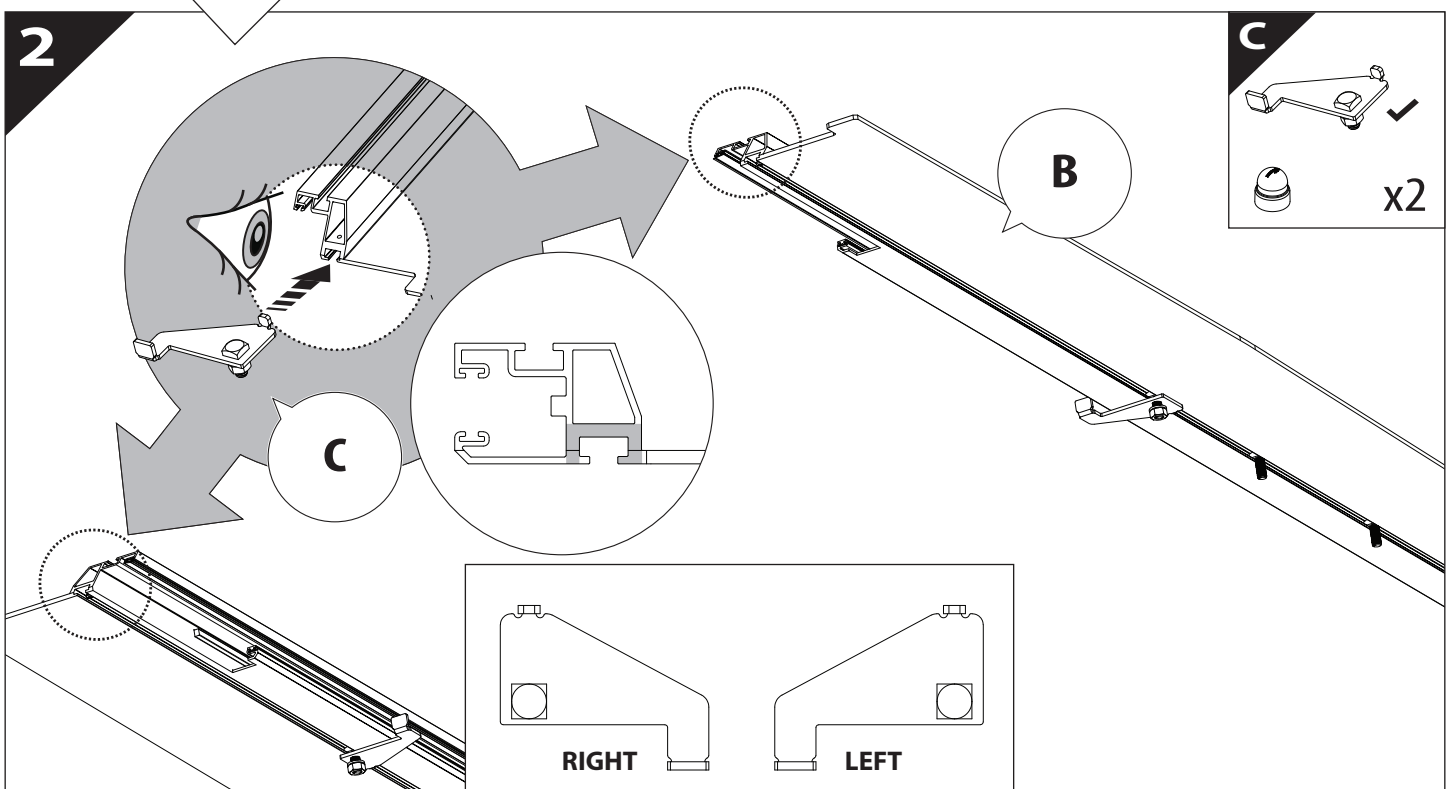
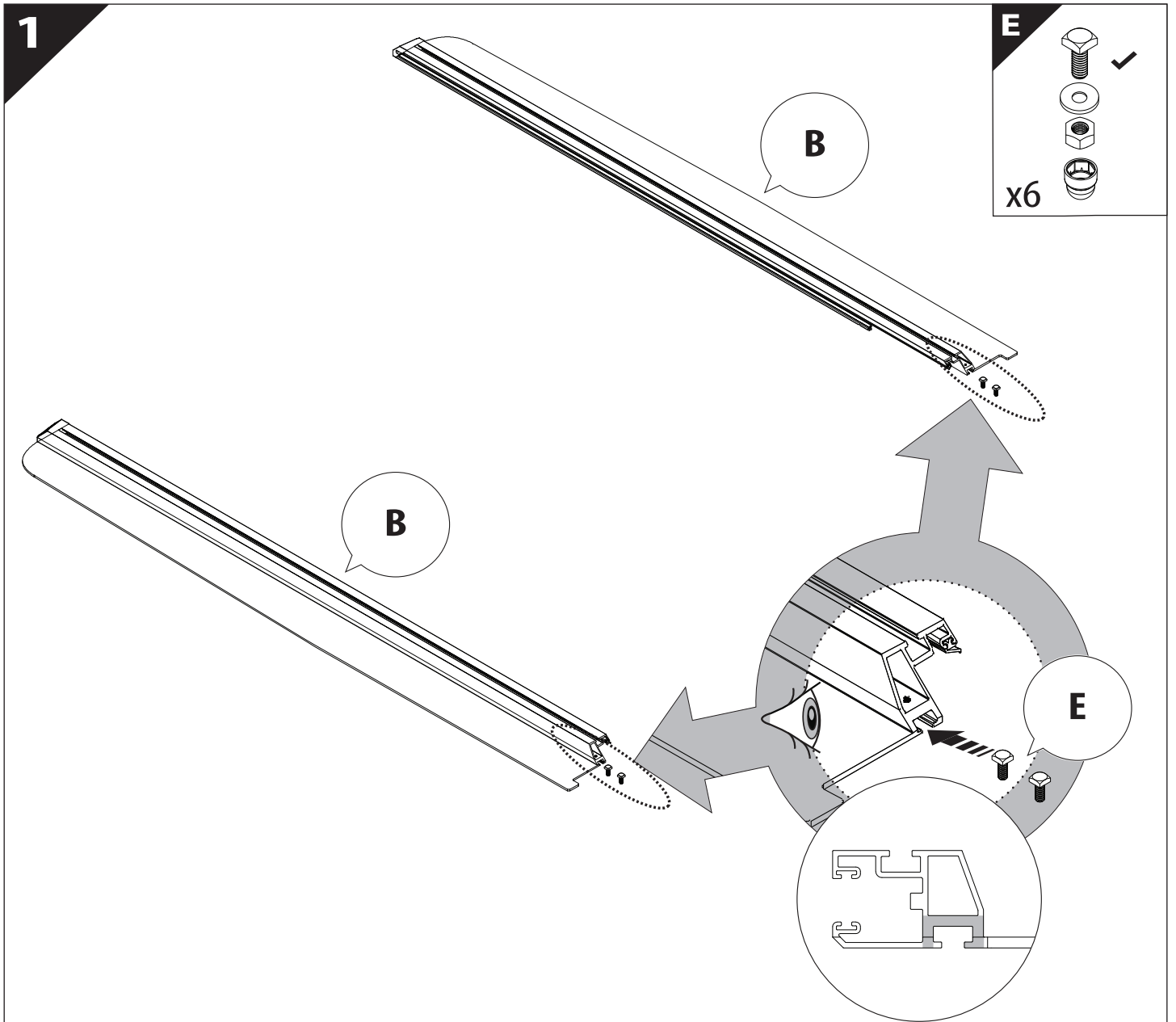
A



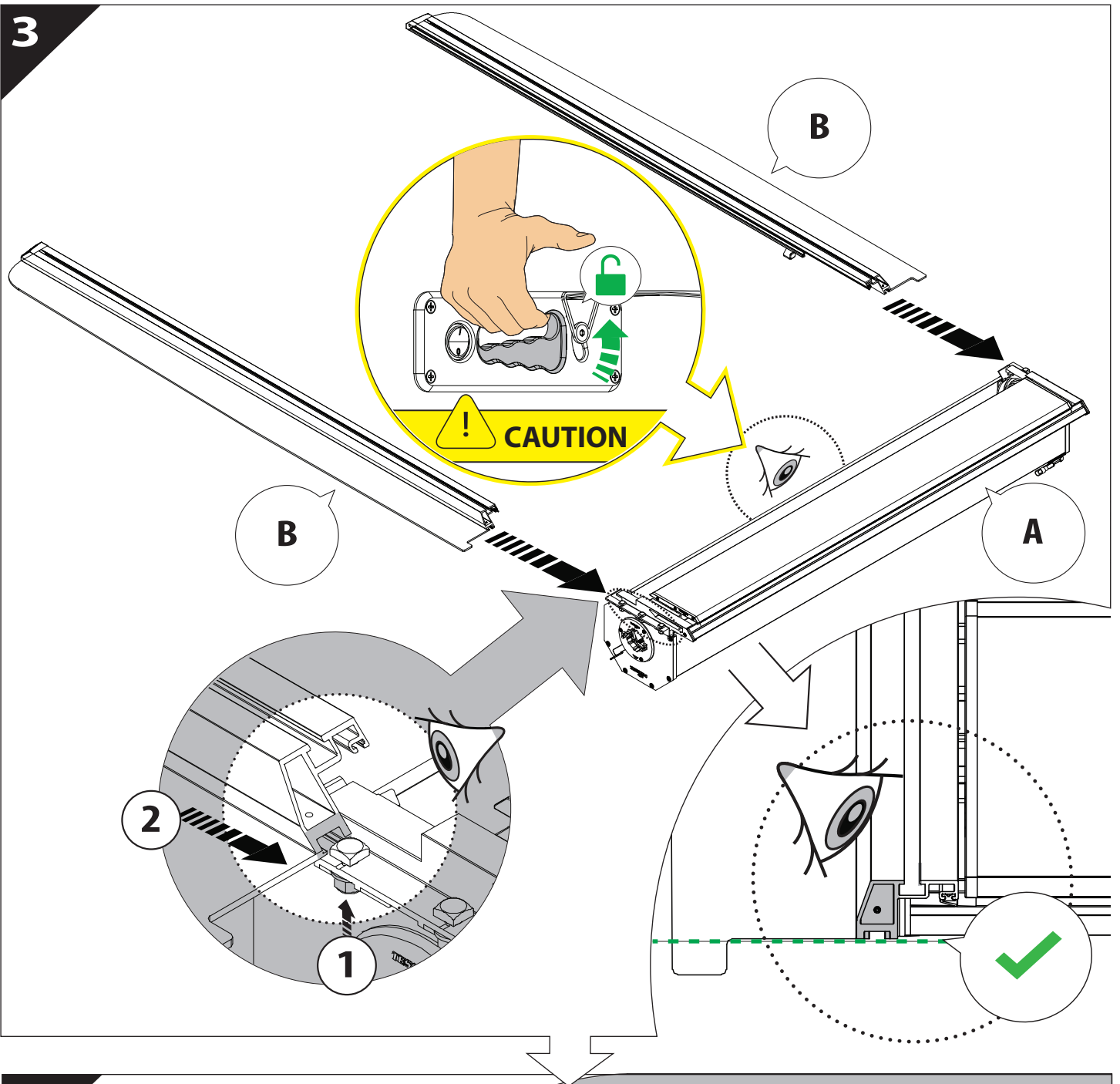
KITS

L

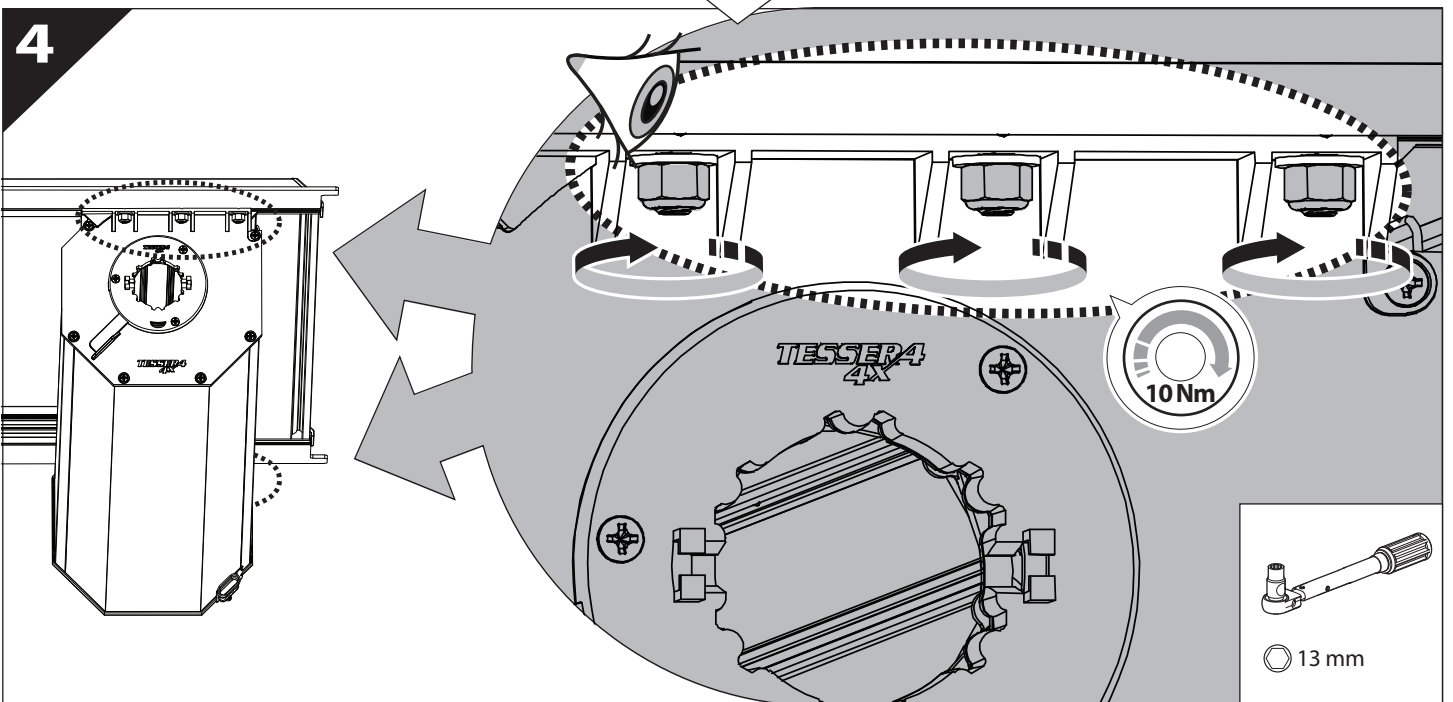


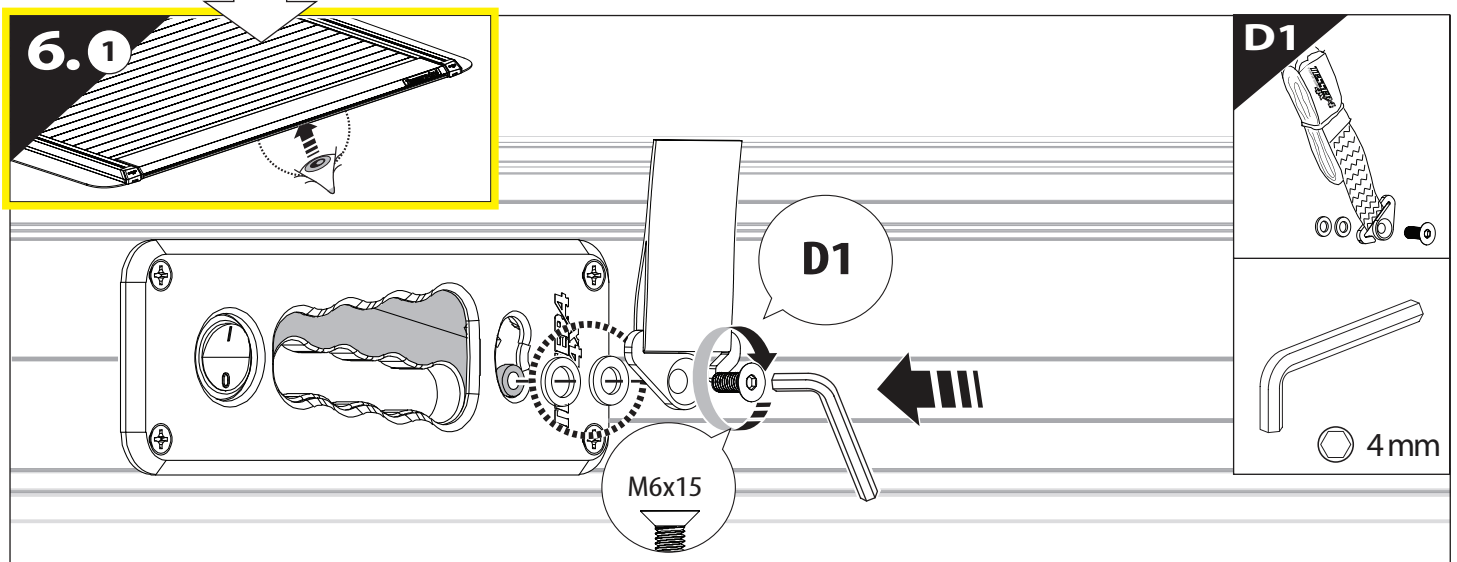
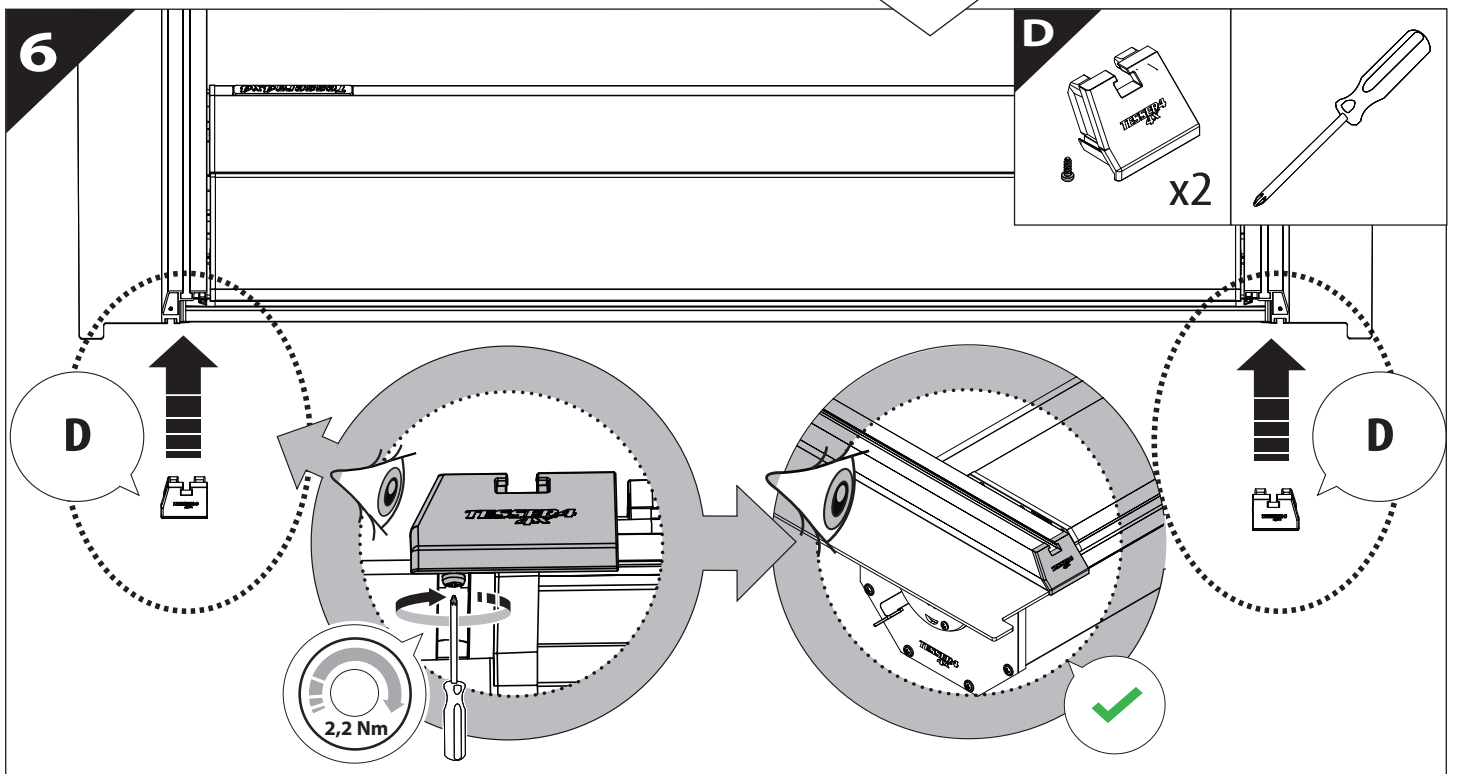
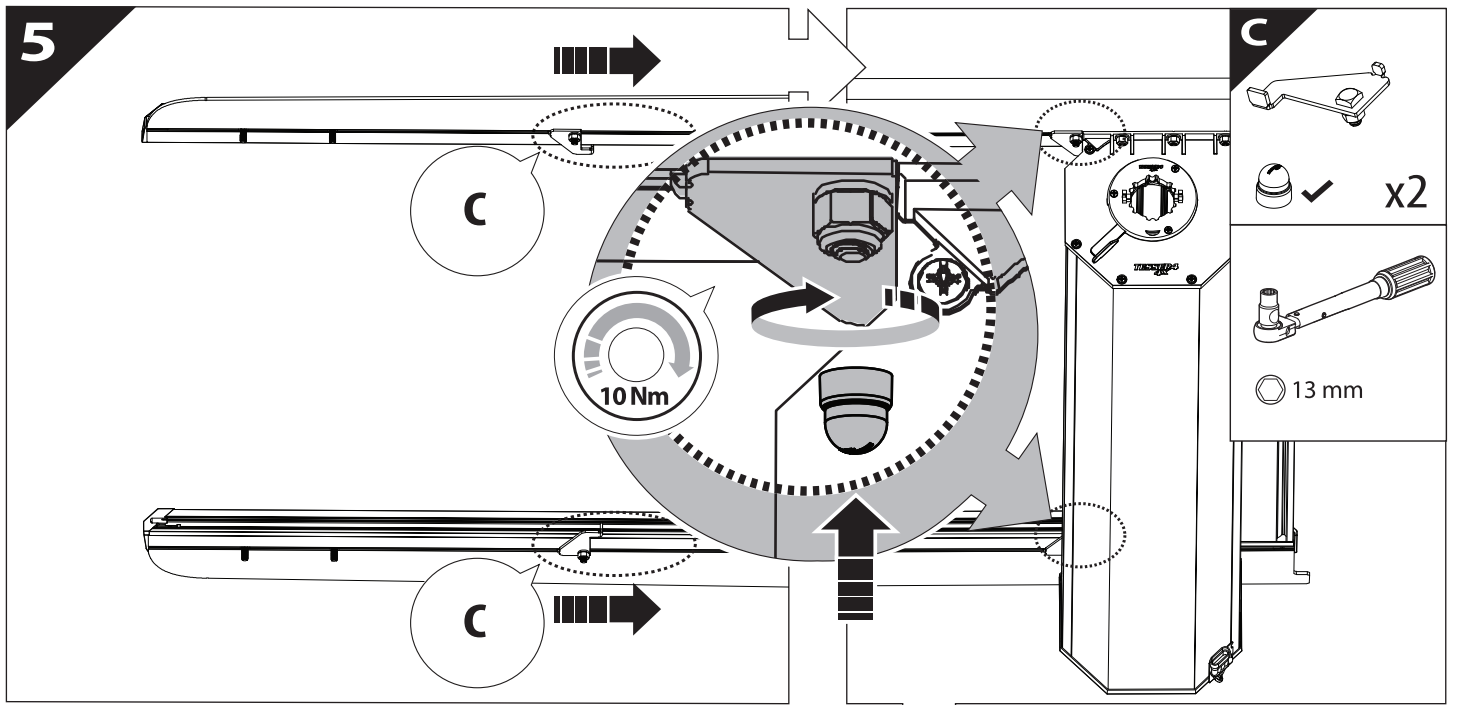


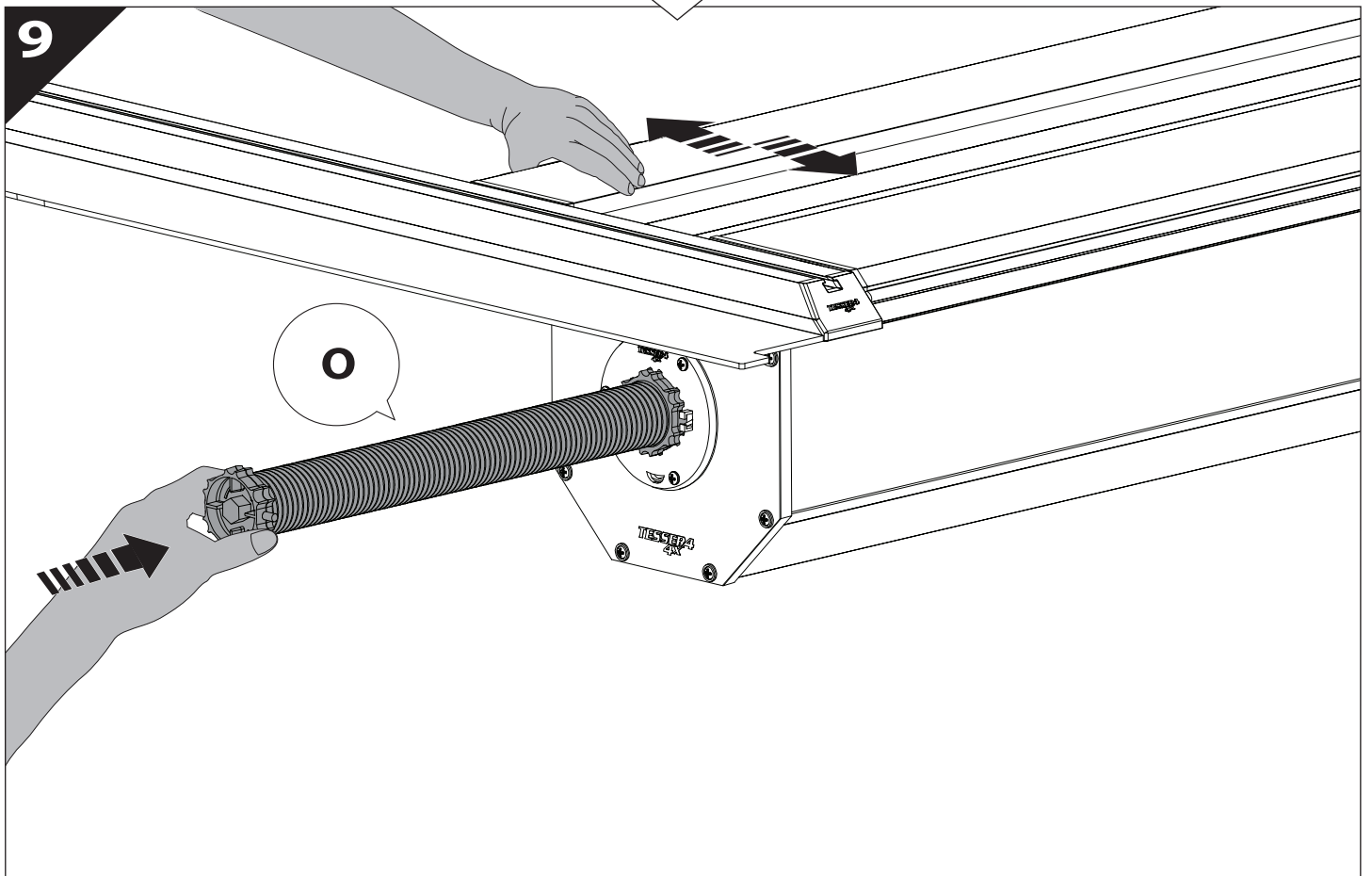
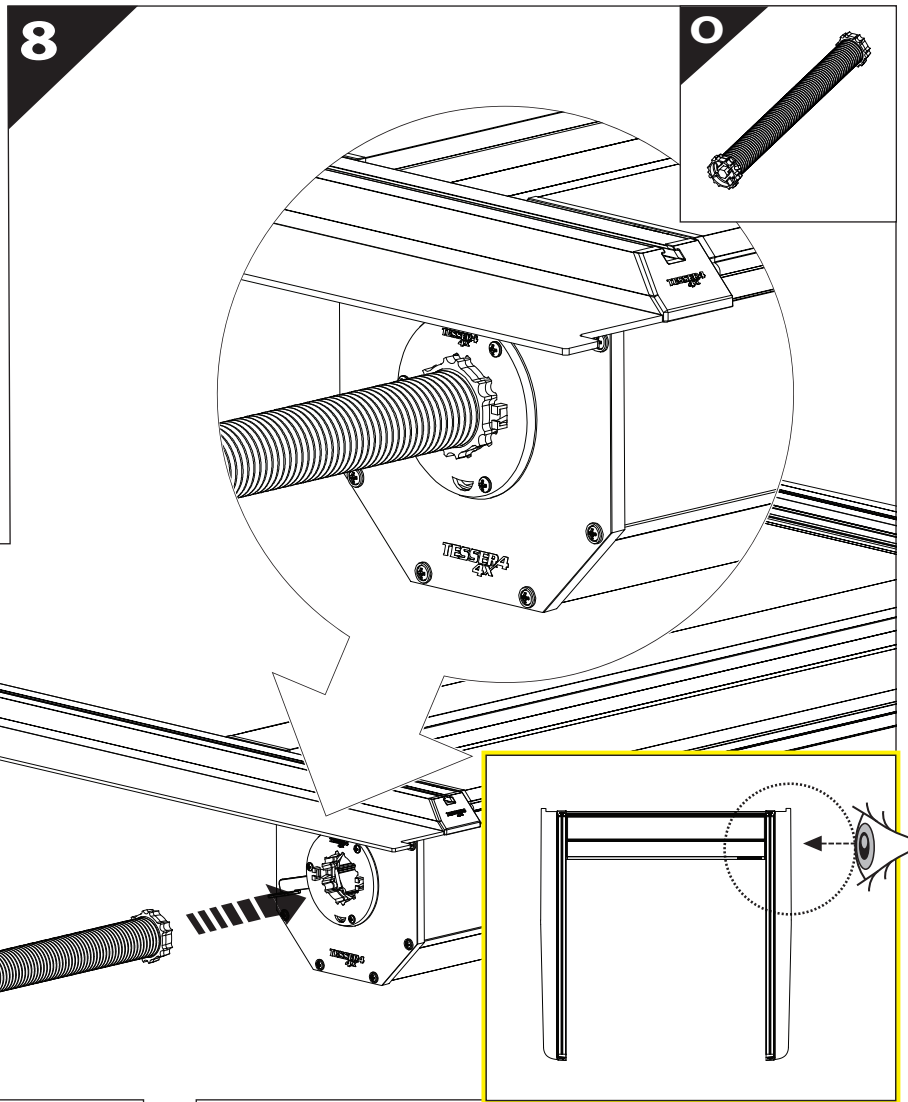
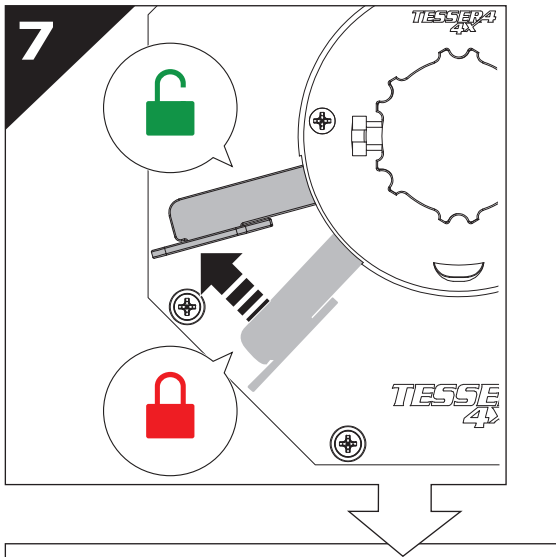
3

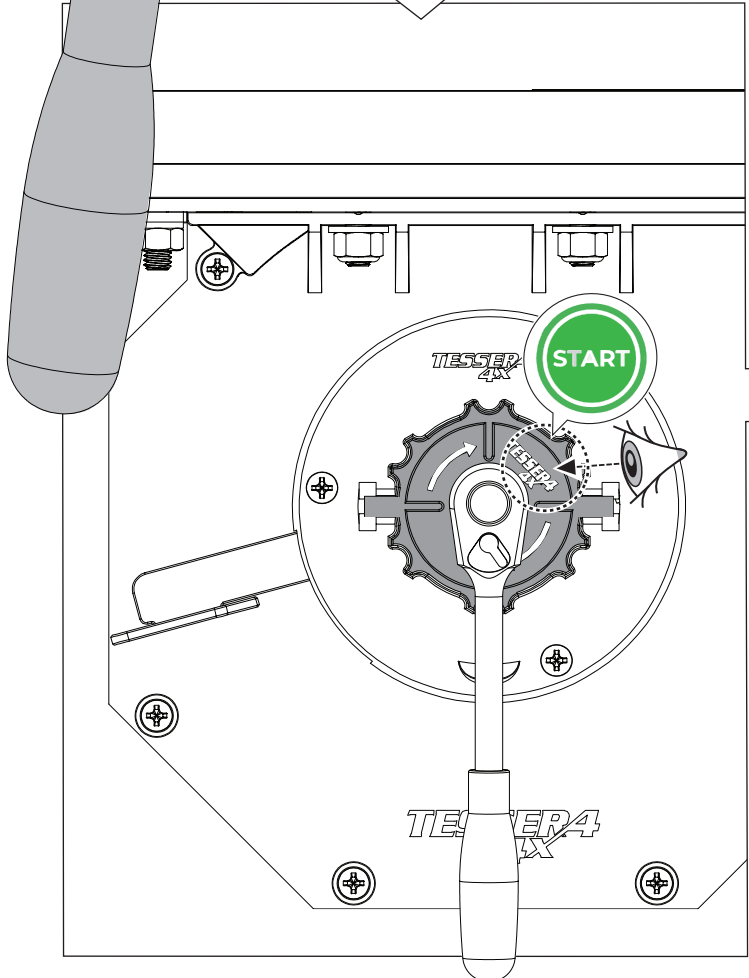
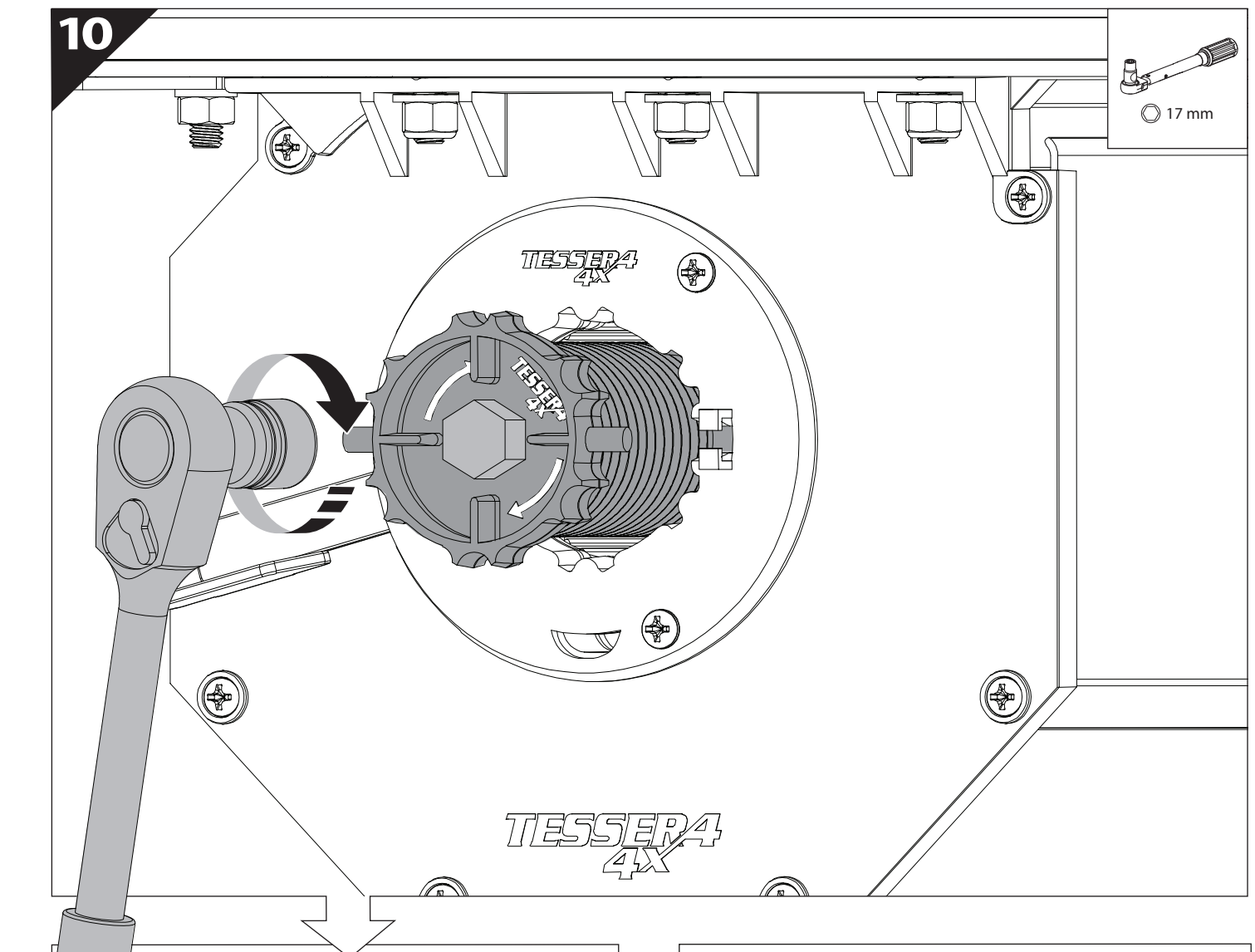
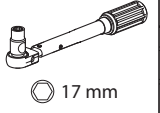


4

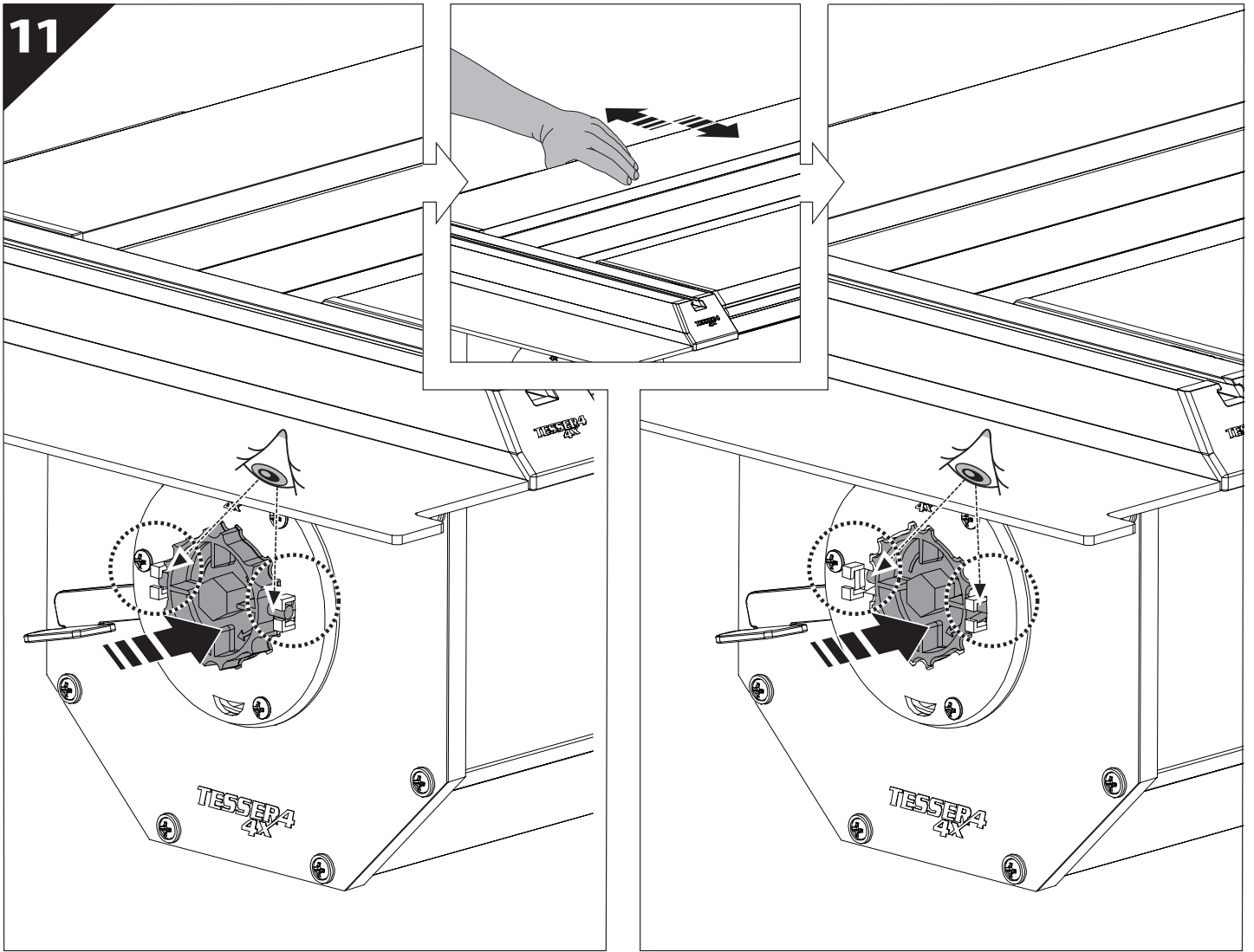




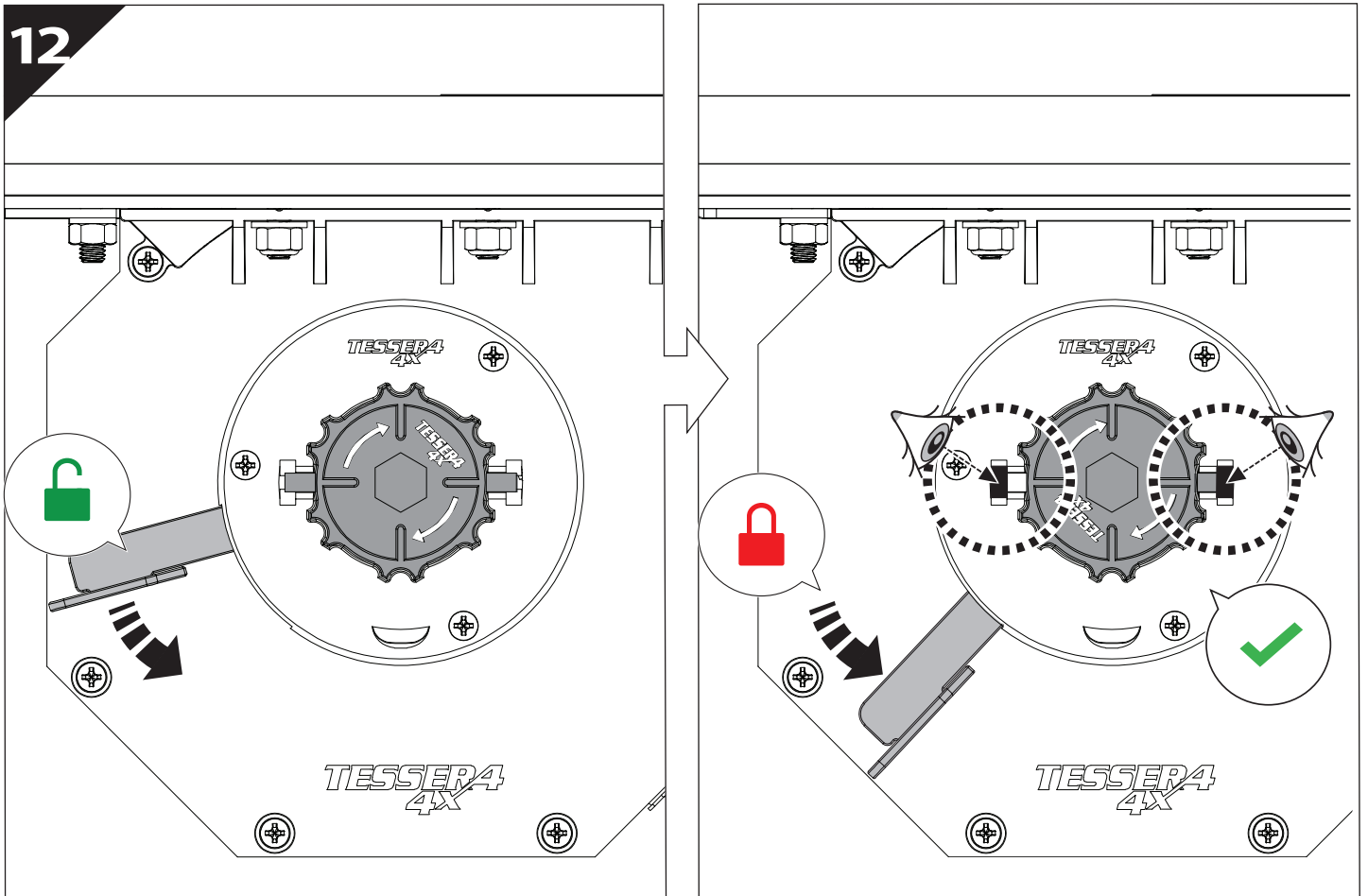




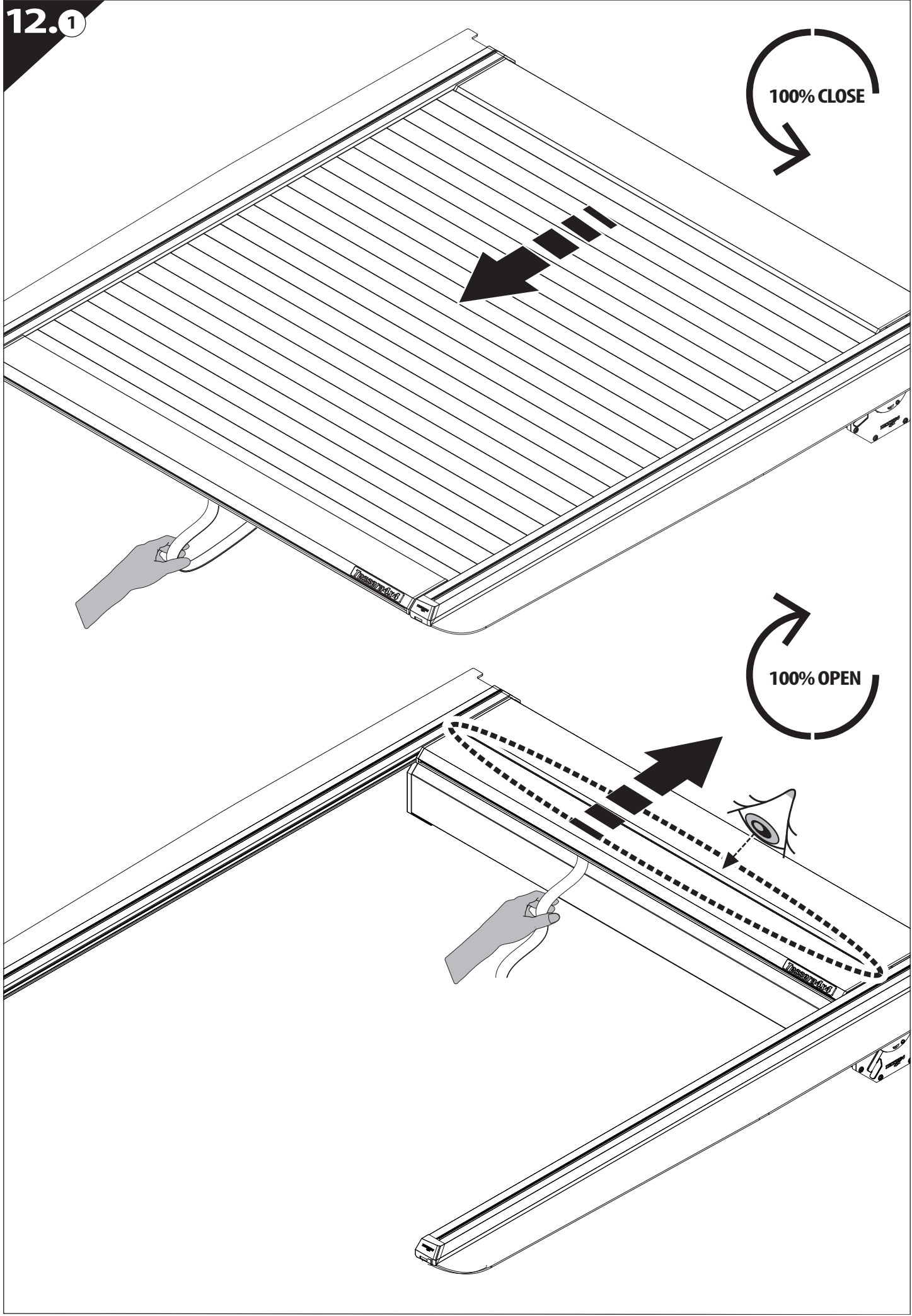
11



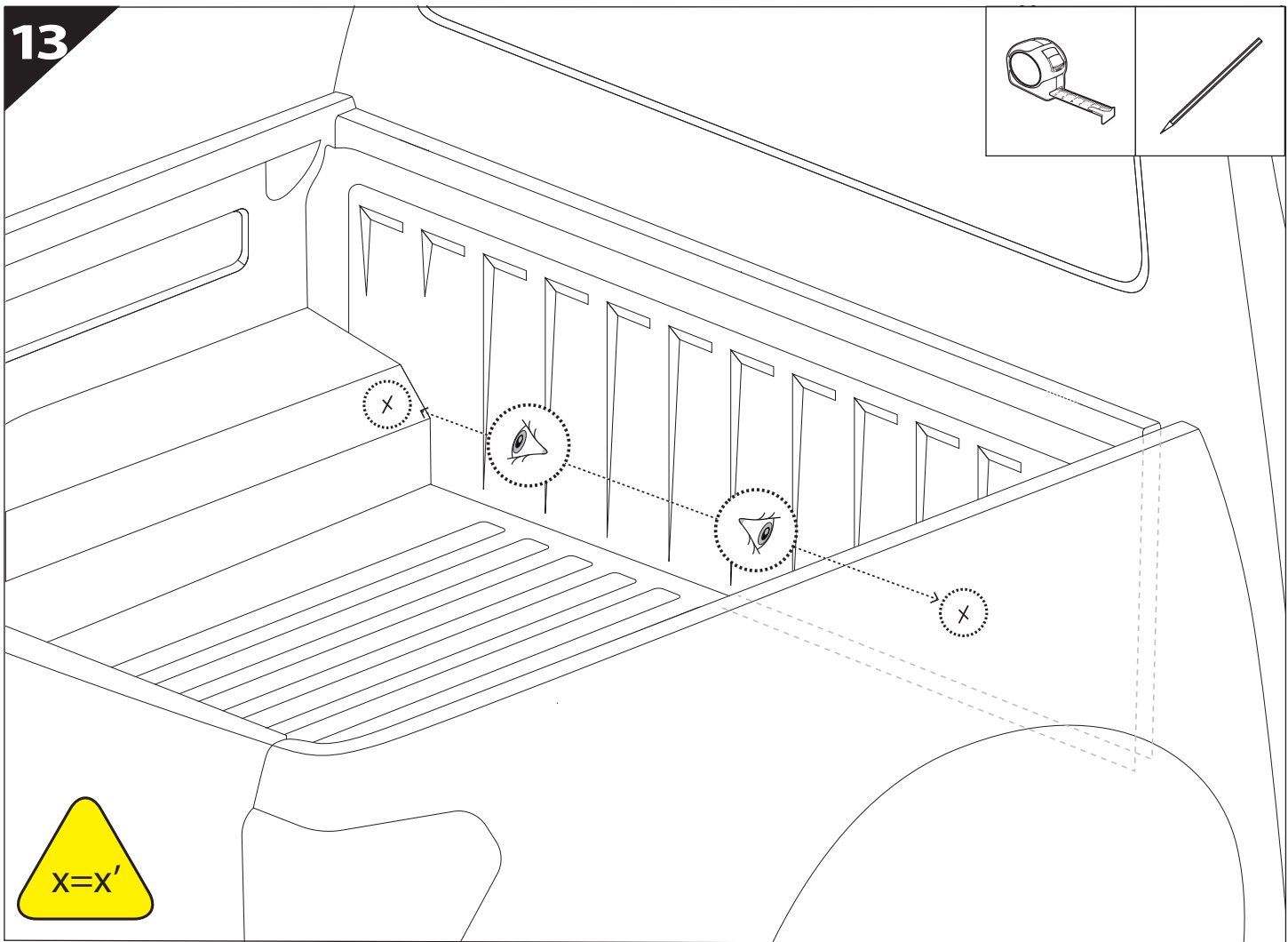
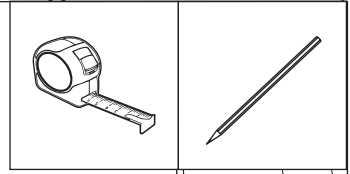
12



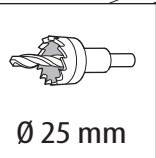
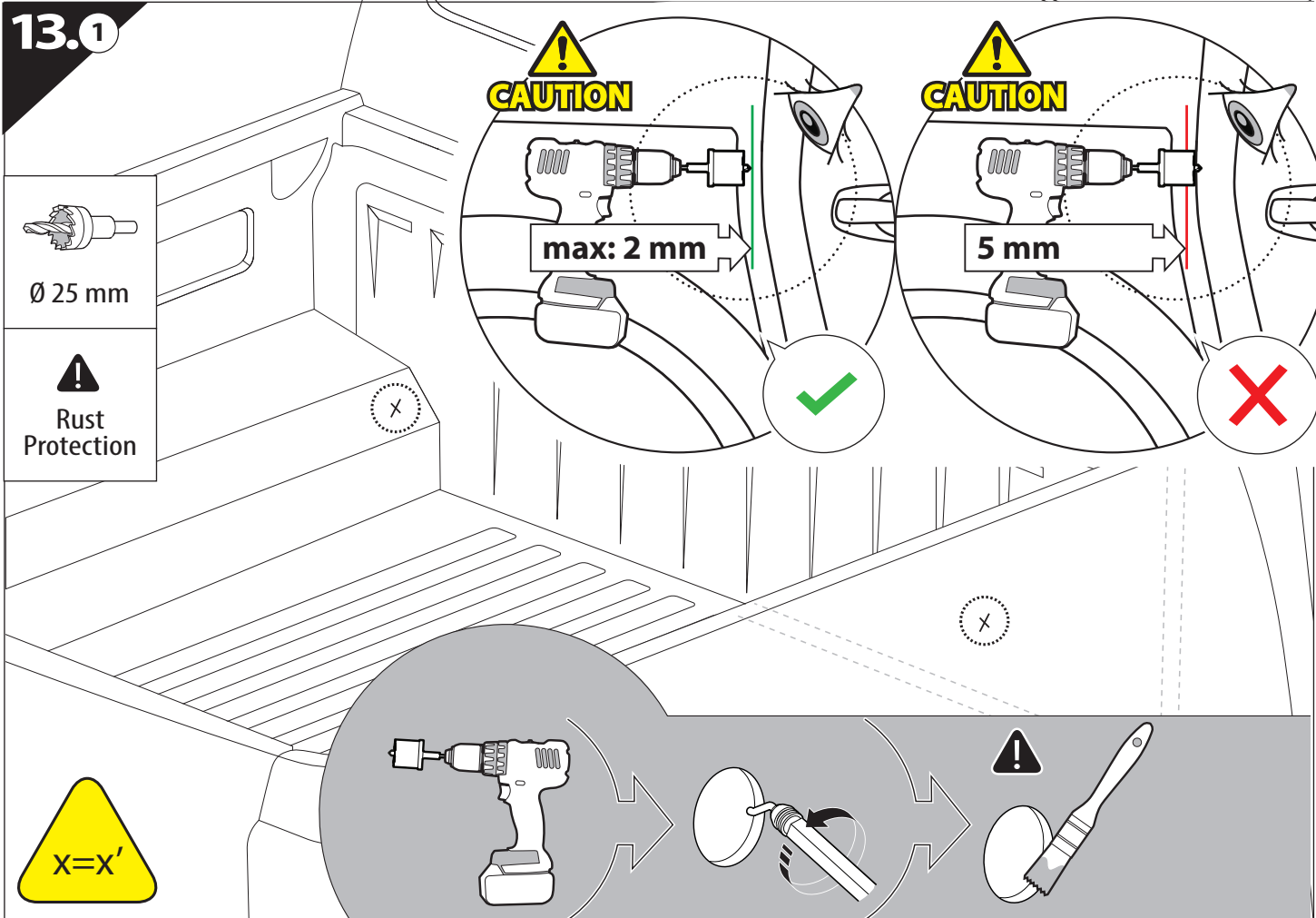
12.0

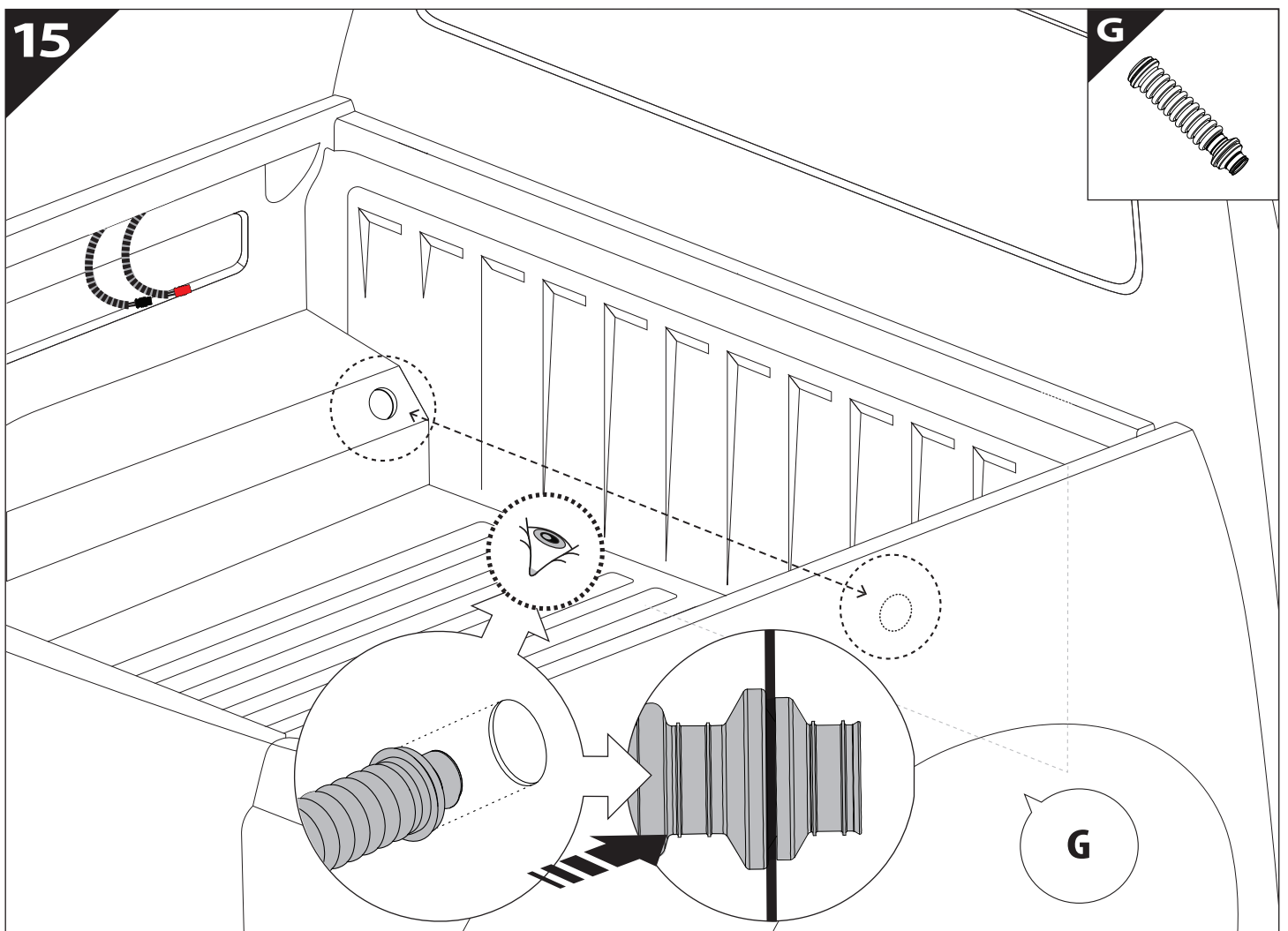
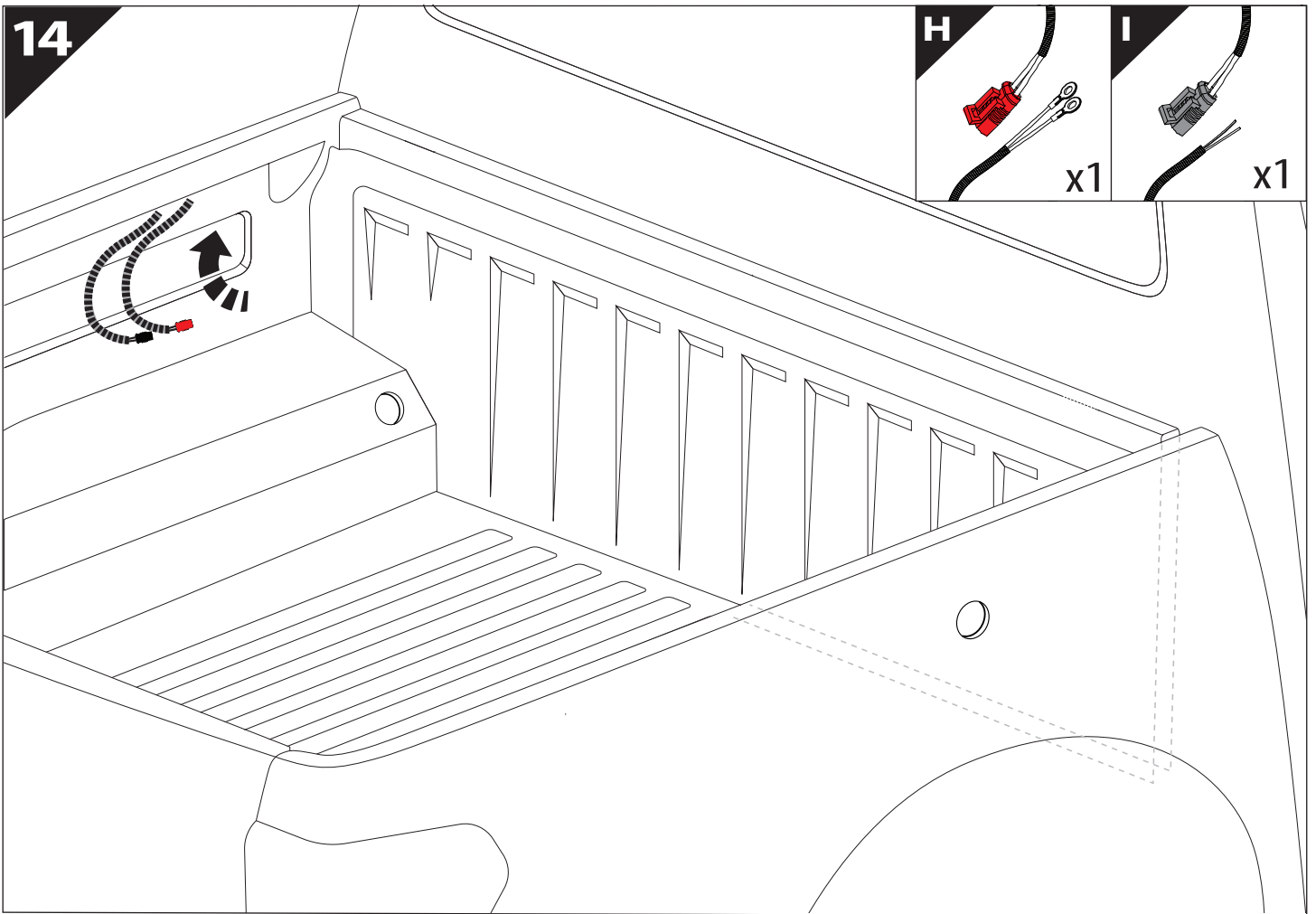


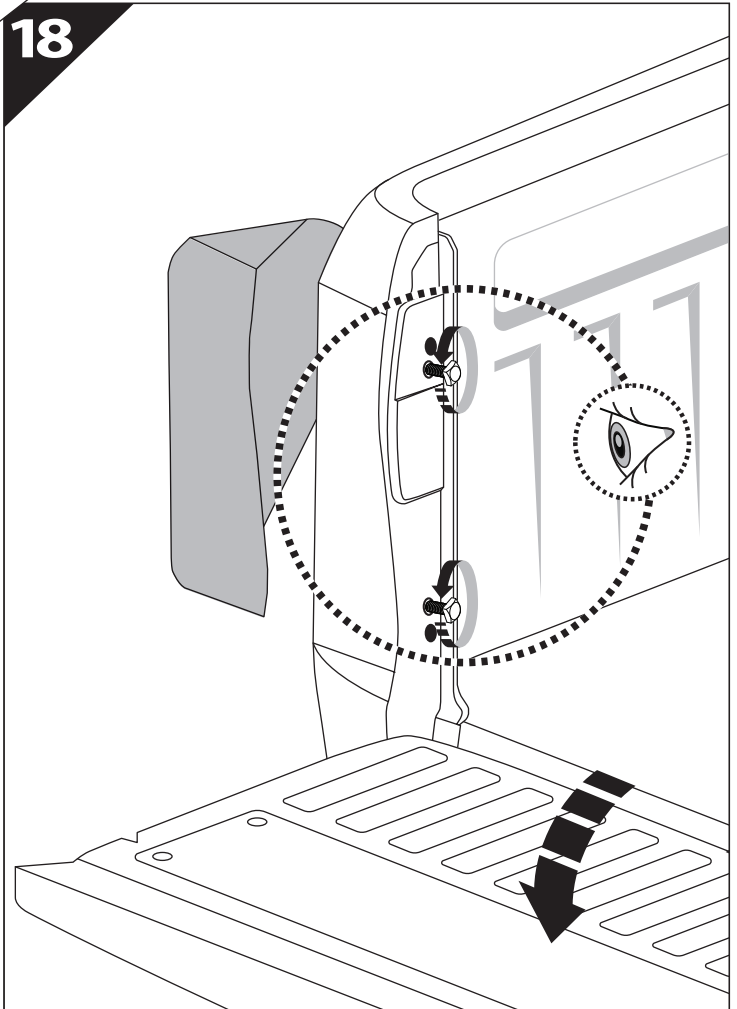
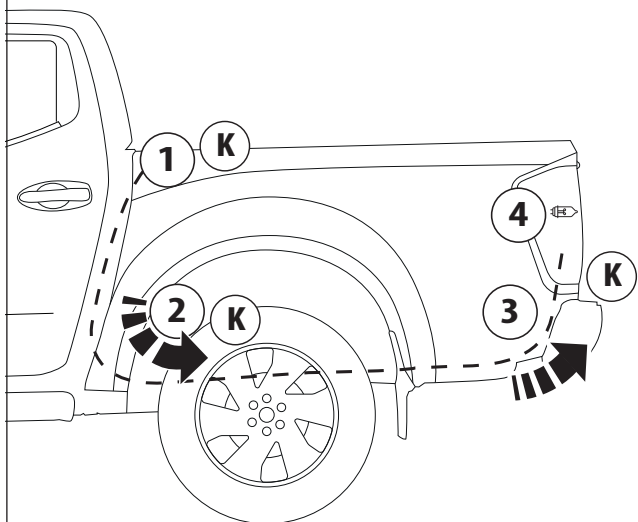
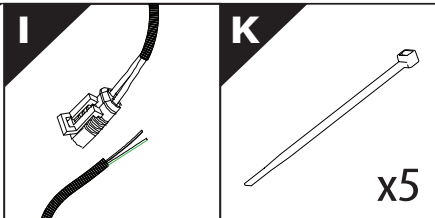
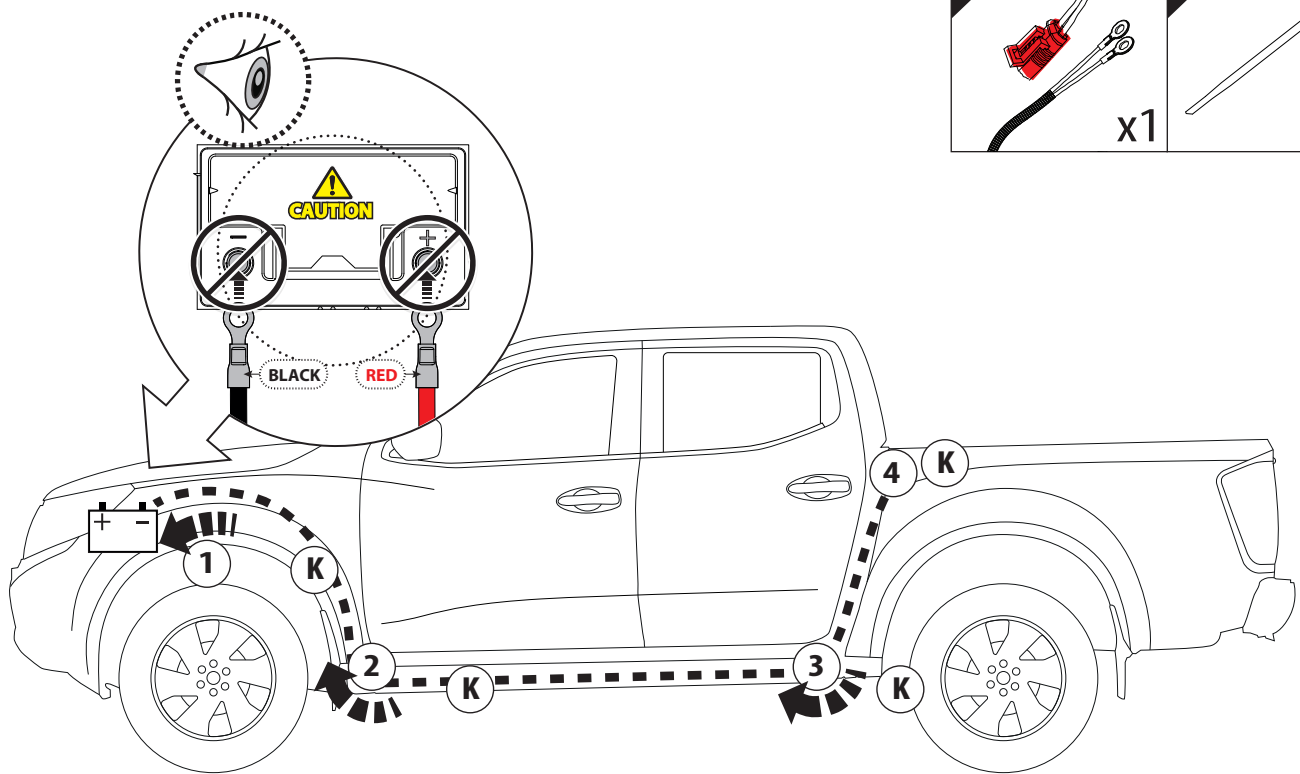
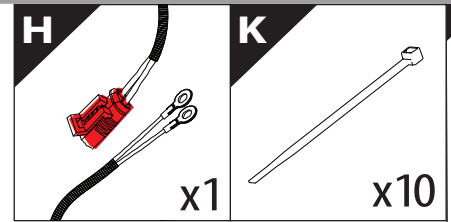
13



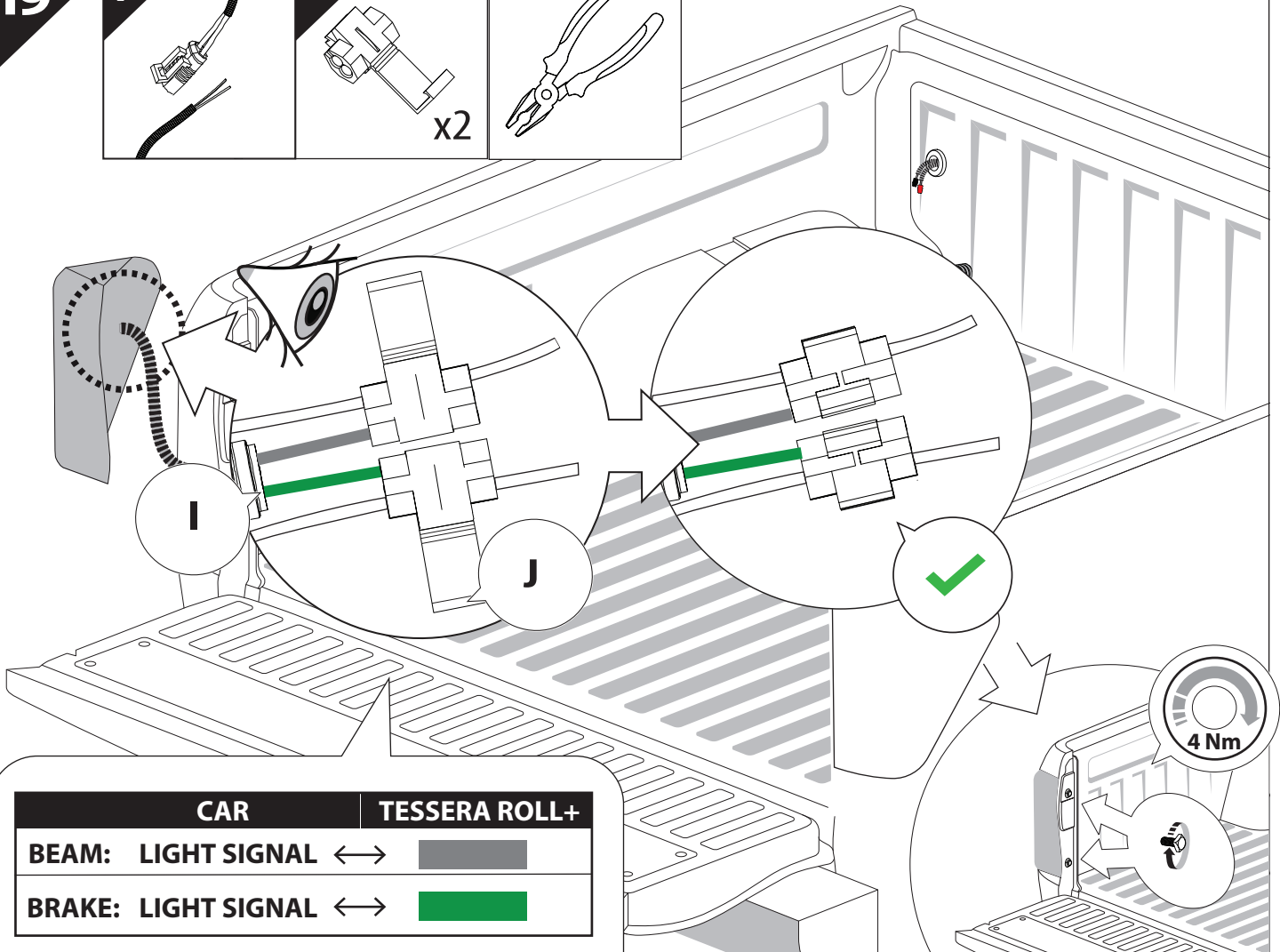
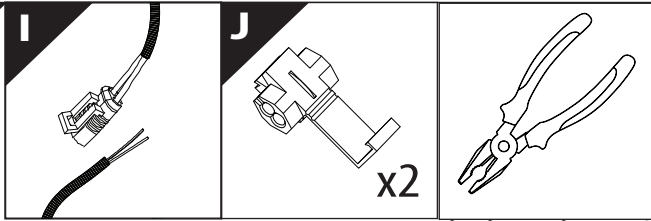
13.0







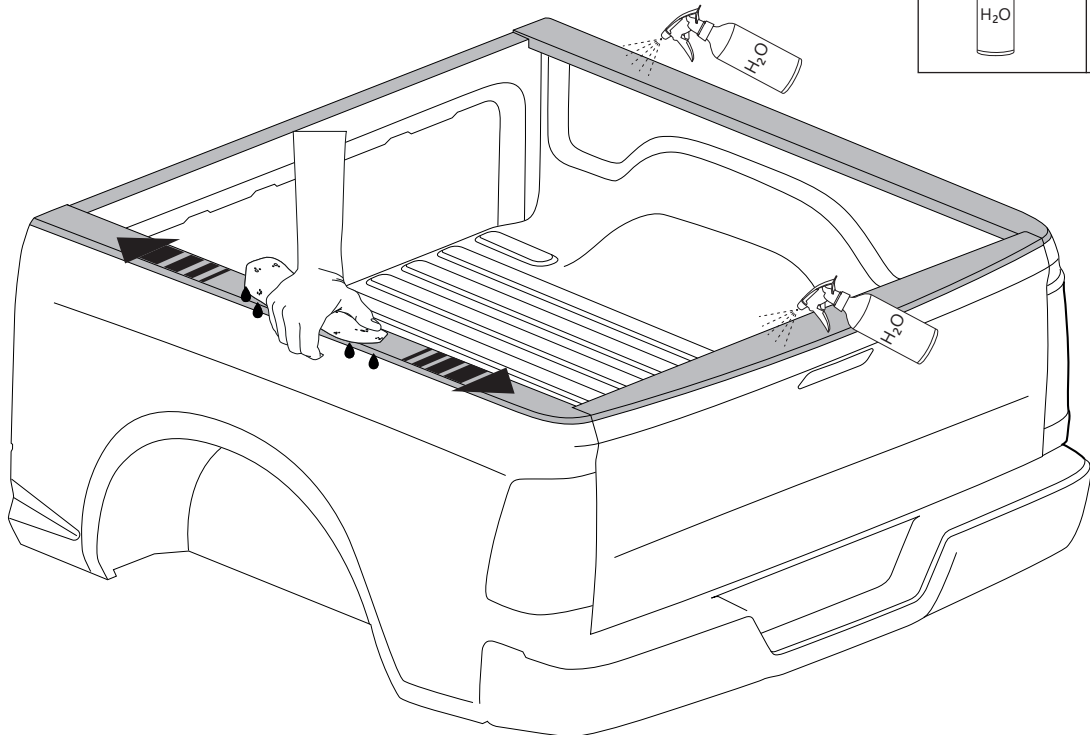
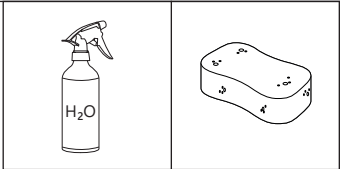
19

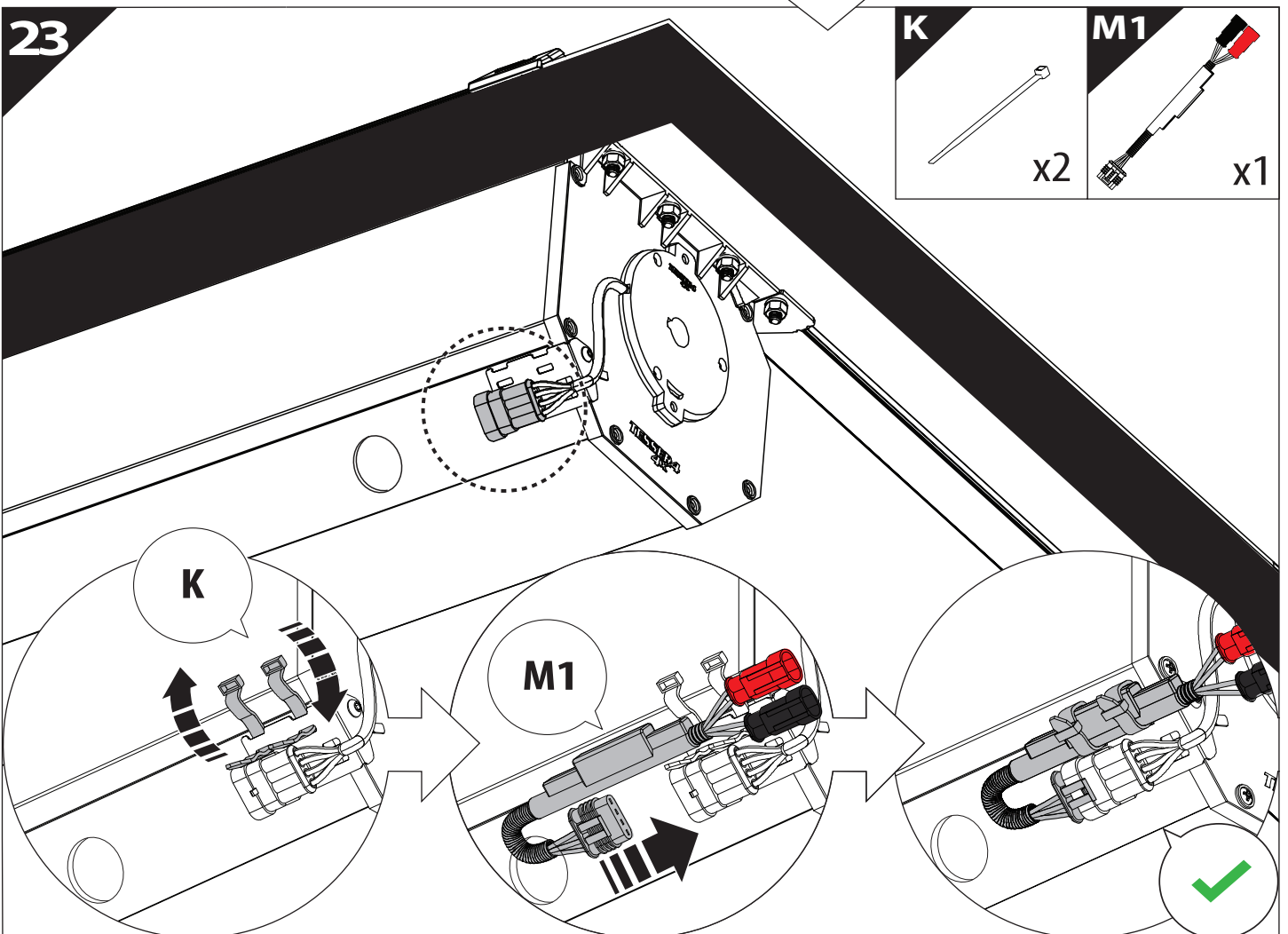
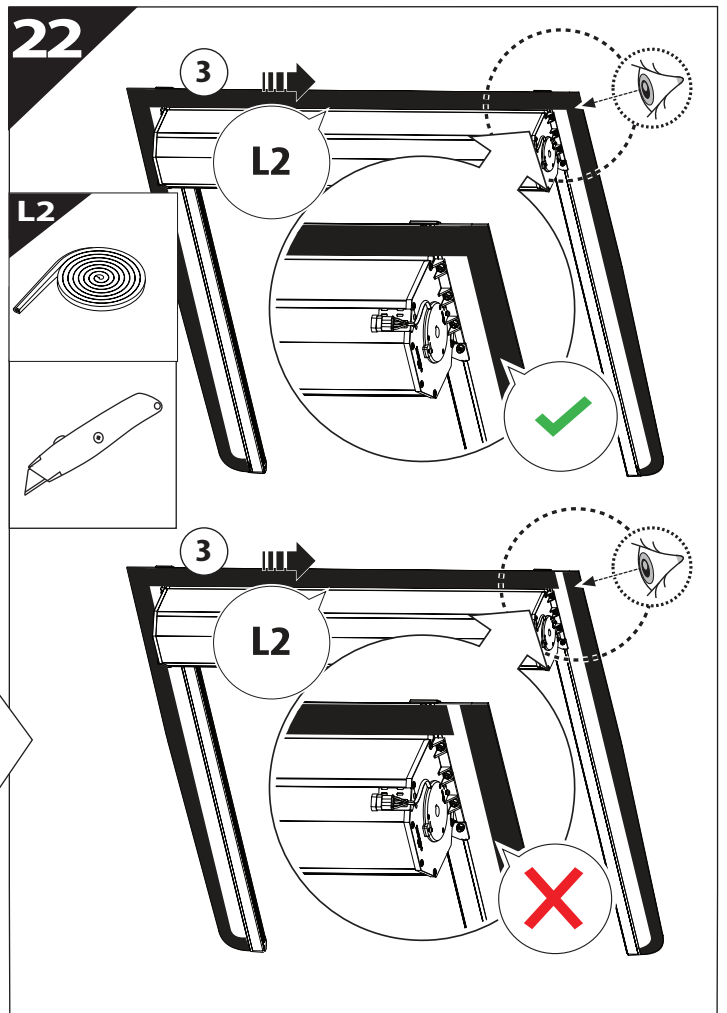
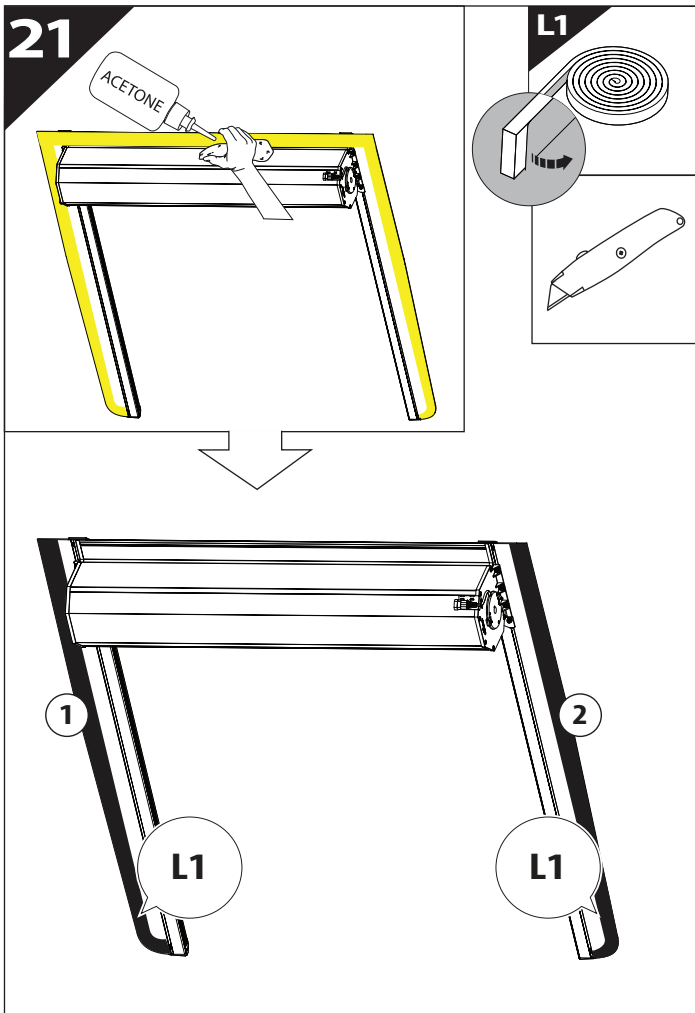


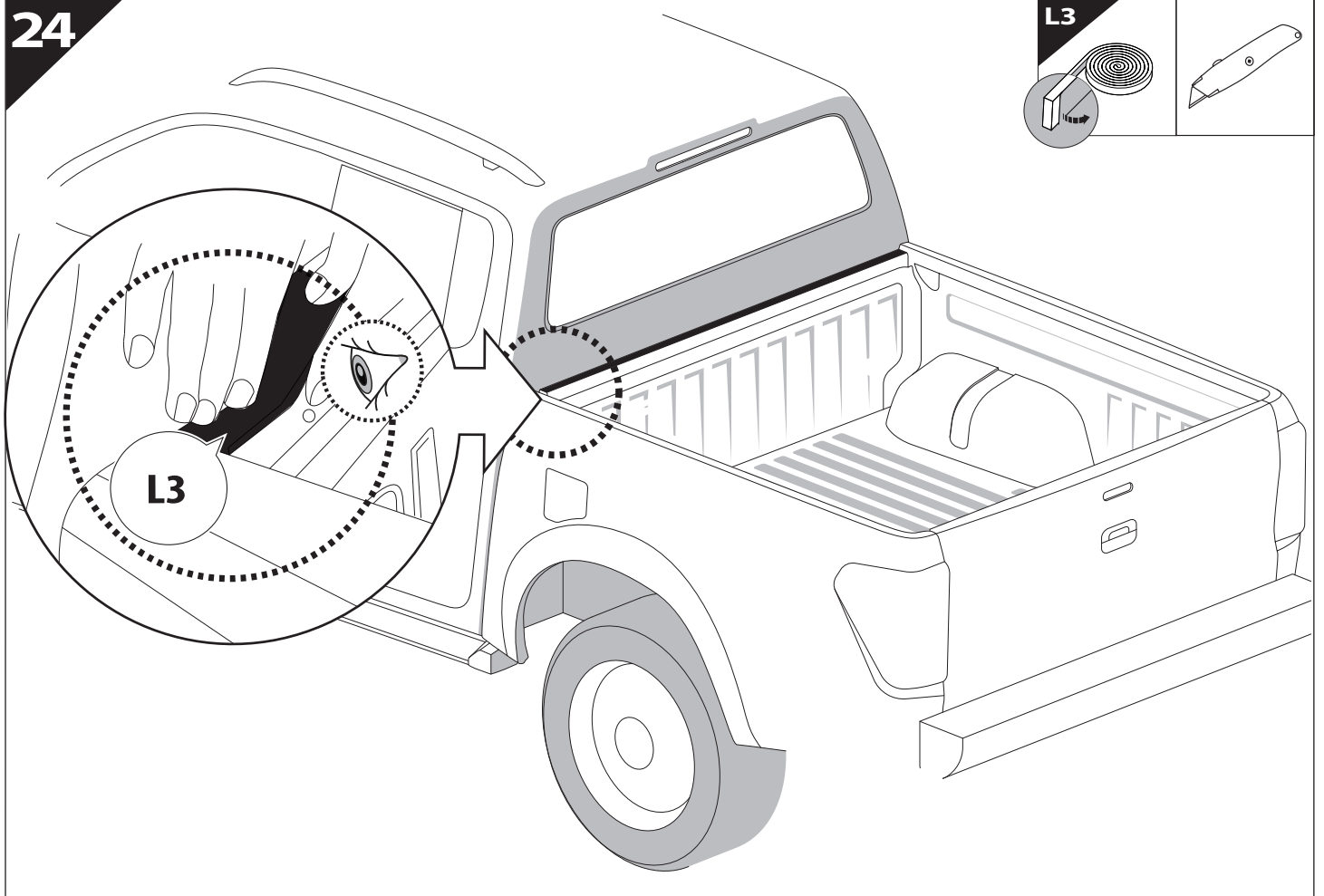
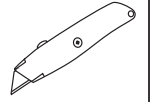
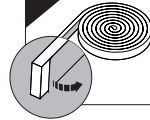
CAR	TESSERA ROLL+
BEAM: LIGHT SIGNAL ↔	
BRAKE: LIGHT SIGNAL ↔	

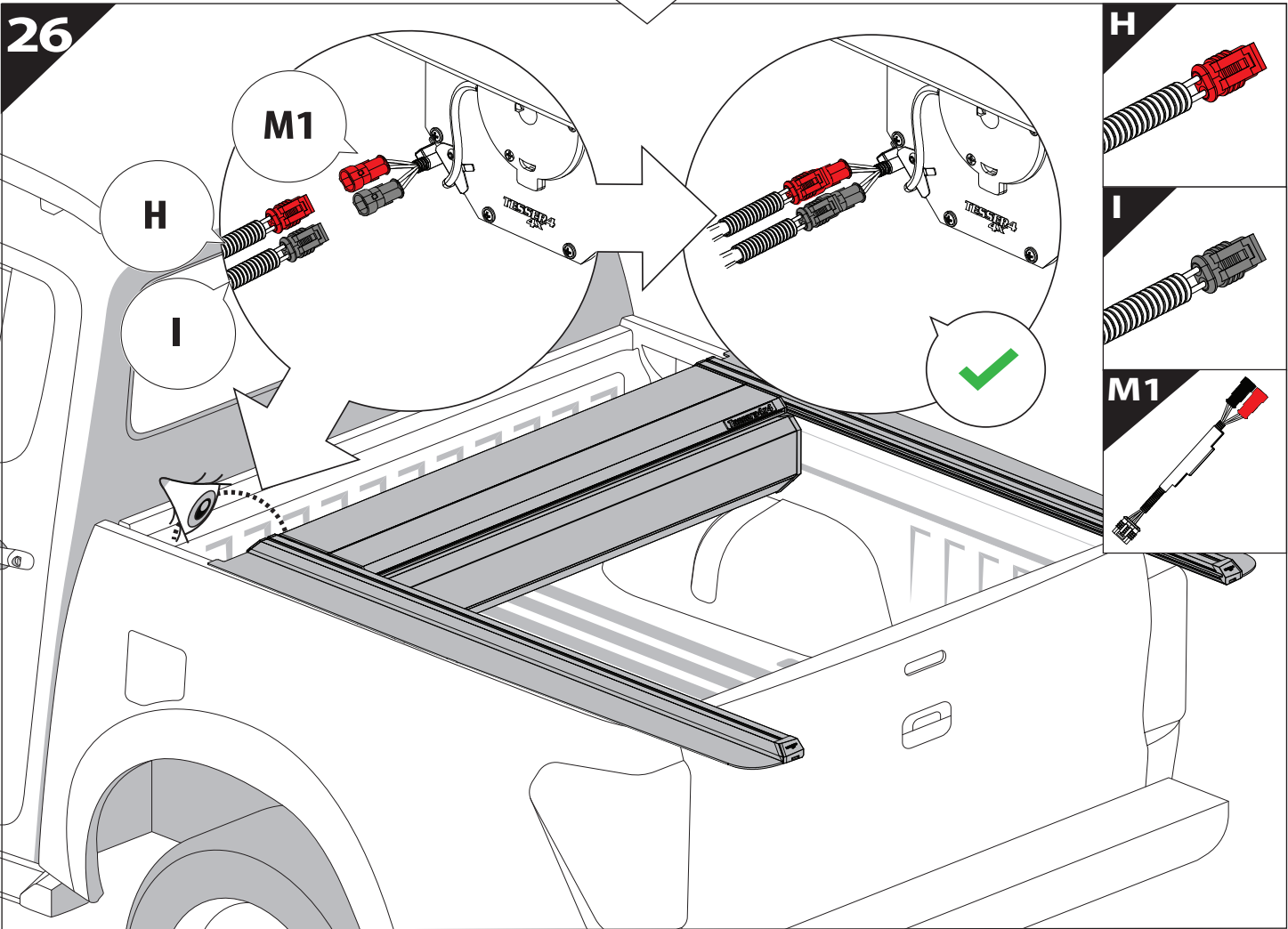
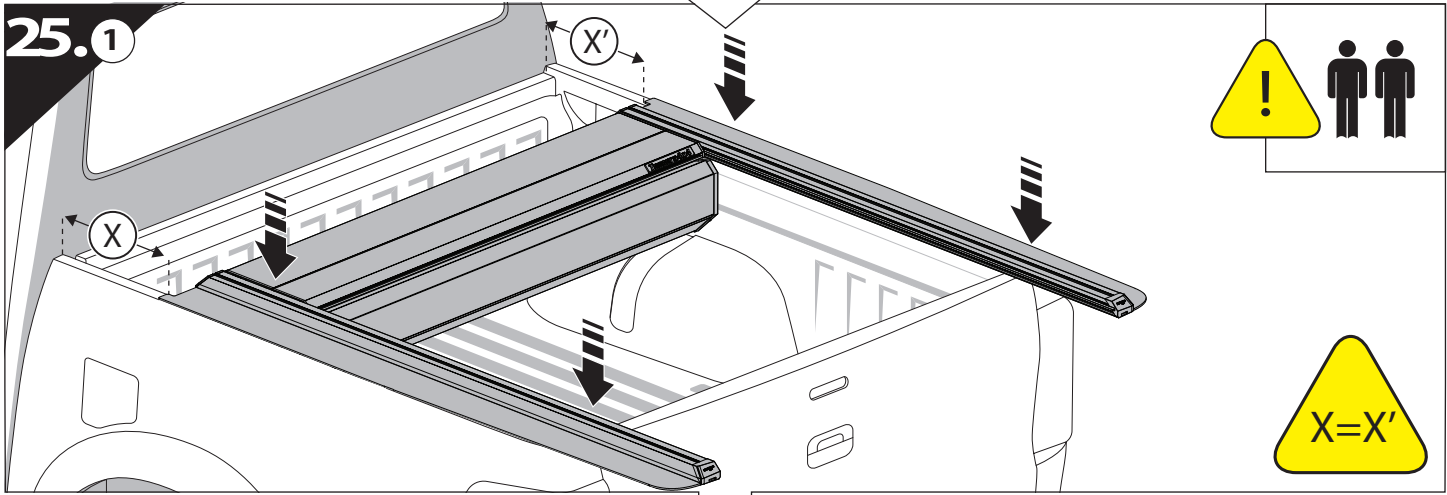
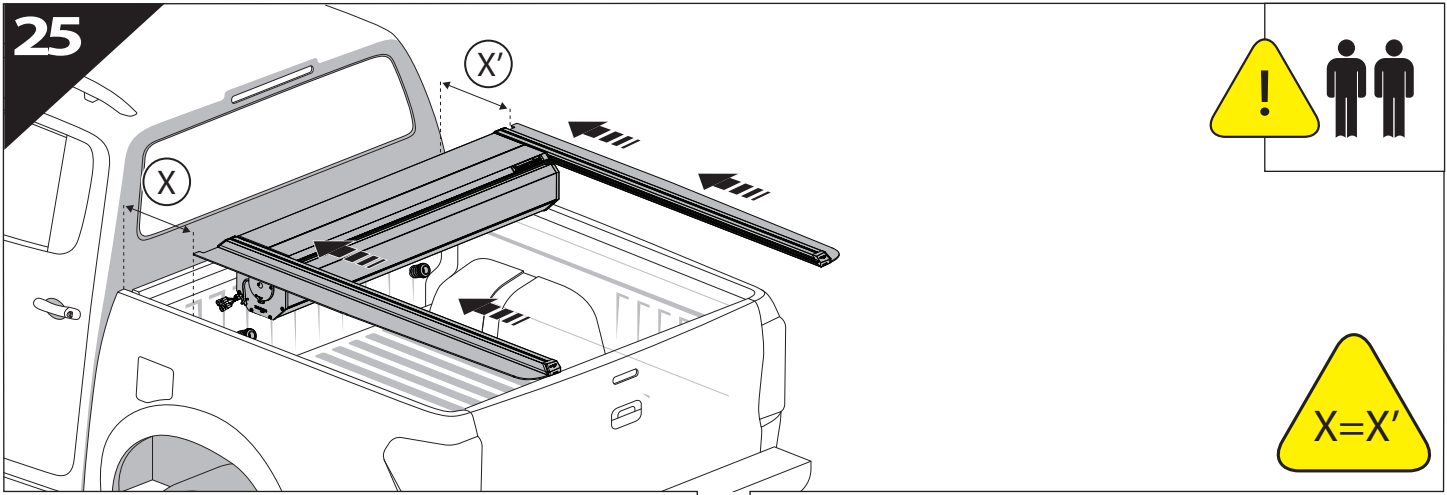
CAUTION: CONSULT A CERTIFIED AUTO MECHANIC OR AUTOMOTIVE ELECTRICIAN TO IDENTIFY THE CORRECT WIRING CABLES FOR BEAM AND BRAKE SIGNALS BEFORE MAKING ANY CONNECTIONS.

20

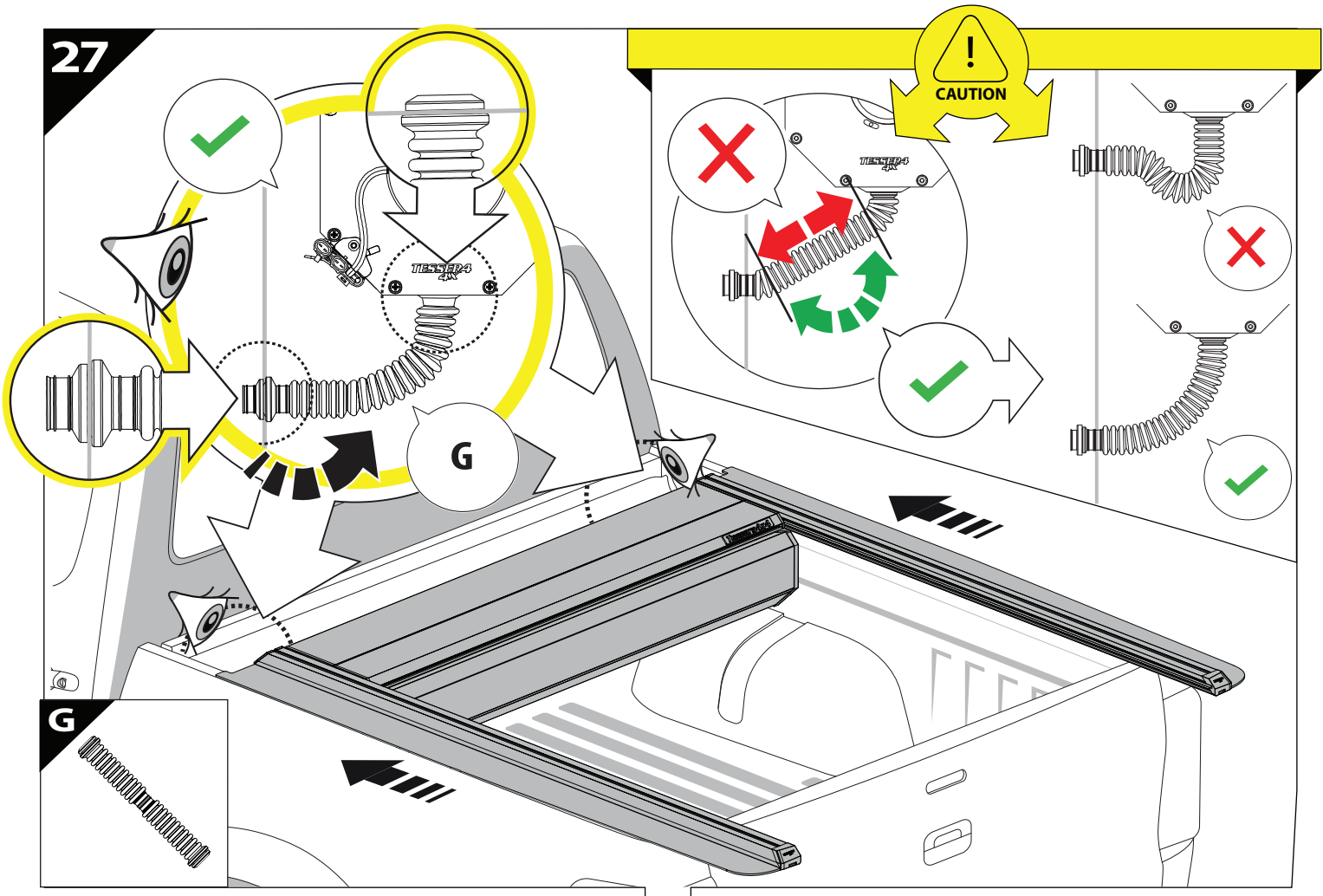




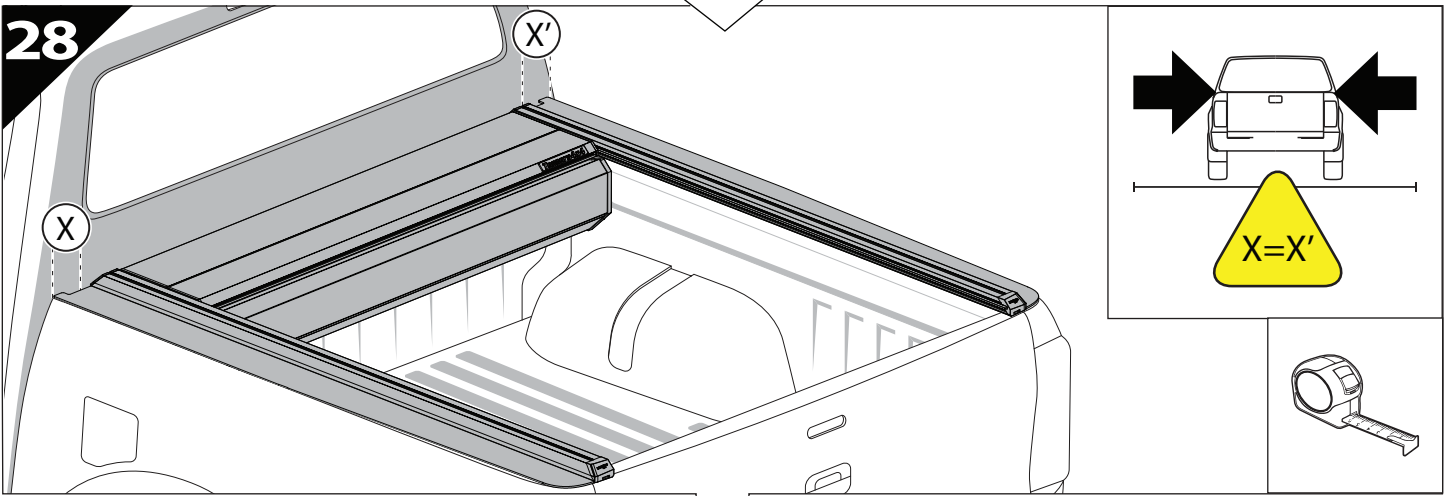




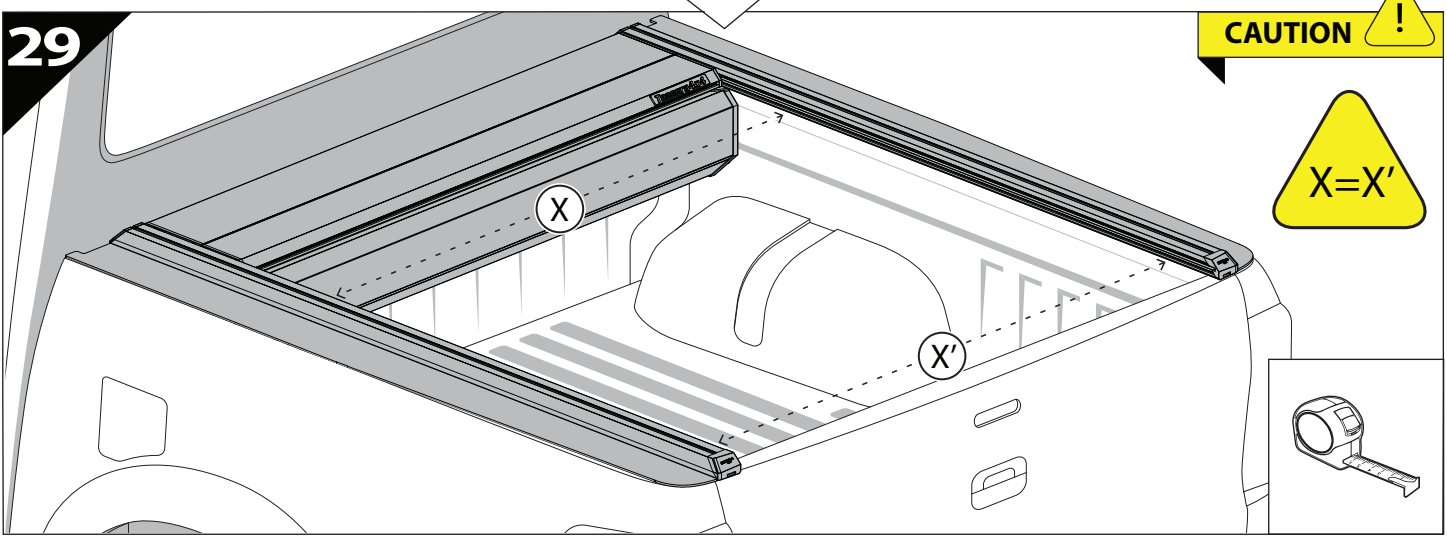
27

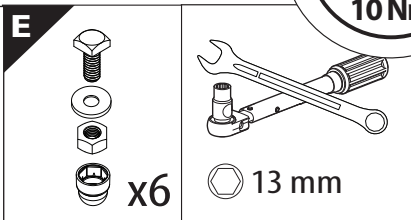
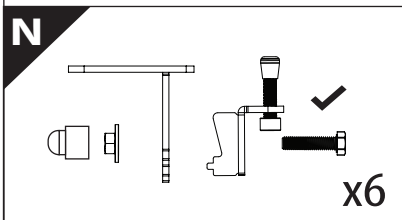
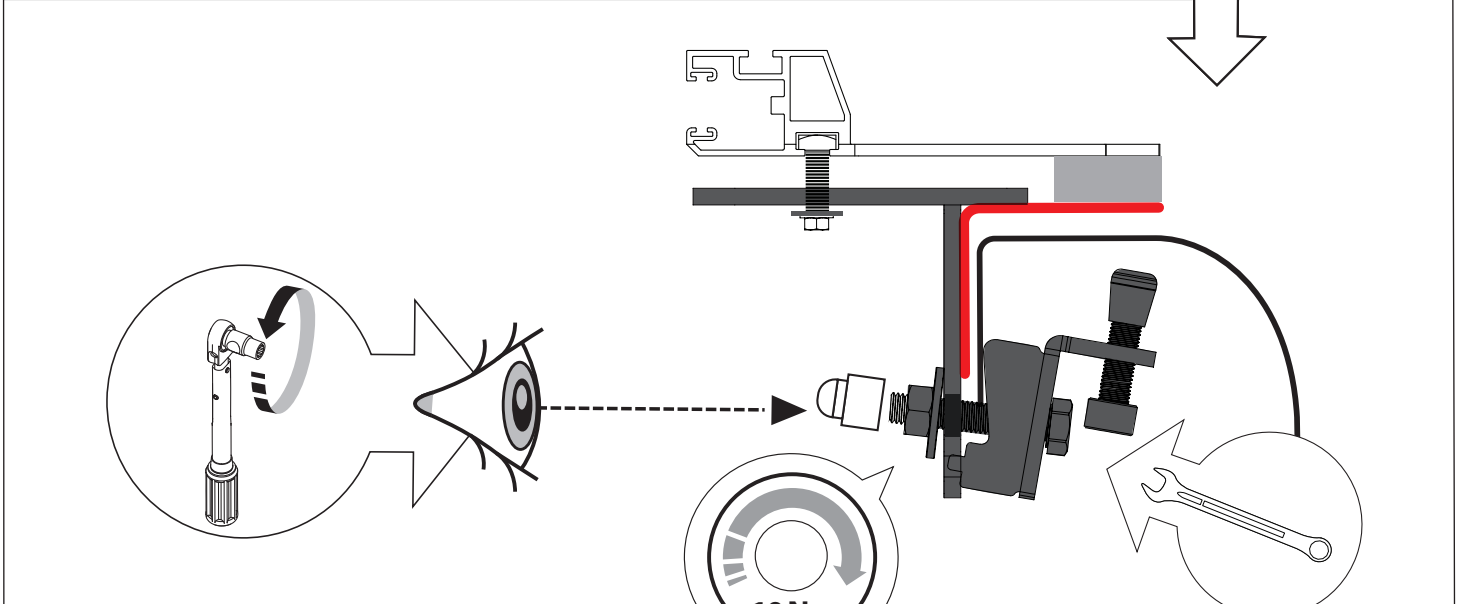
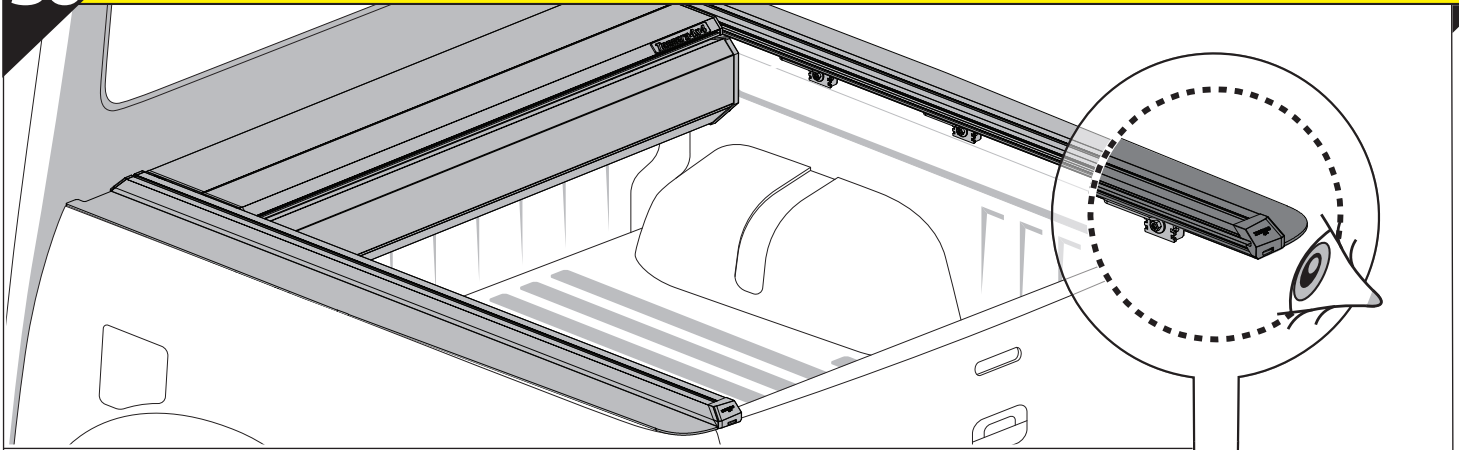


28

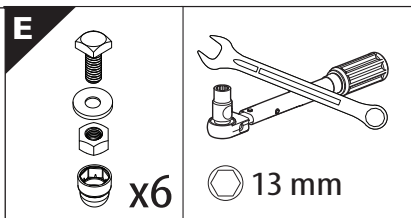
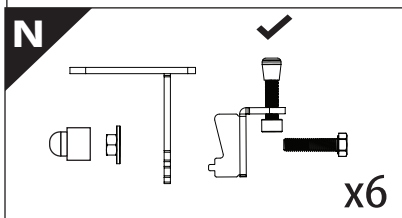
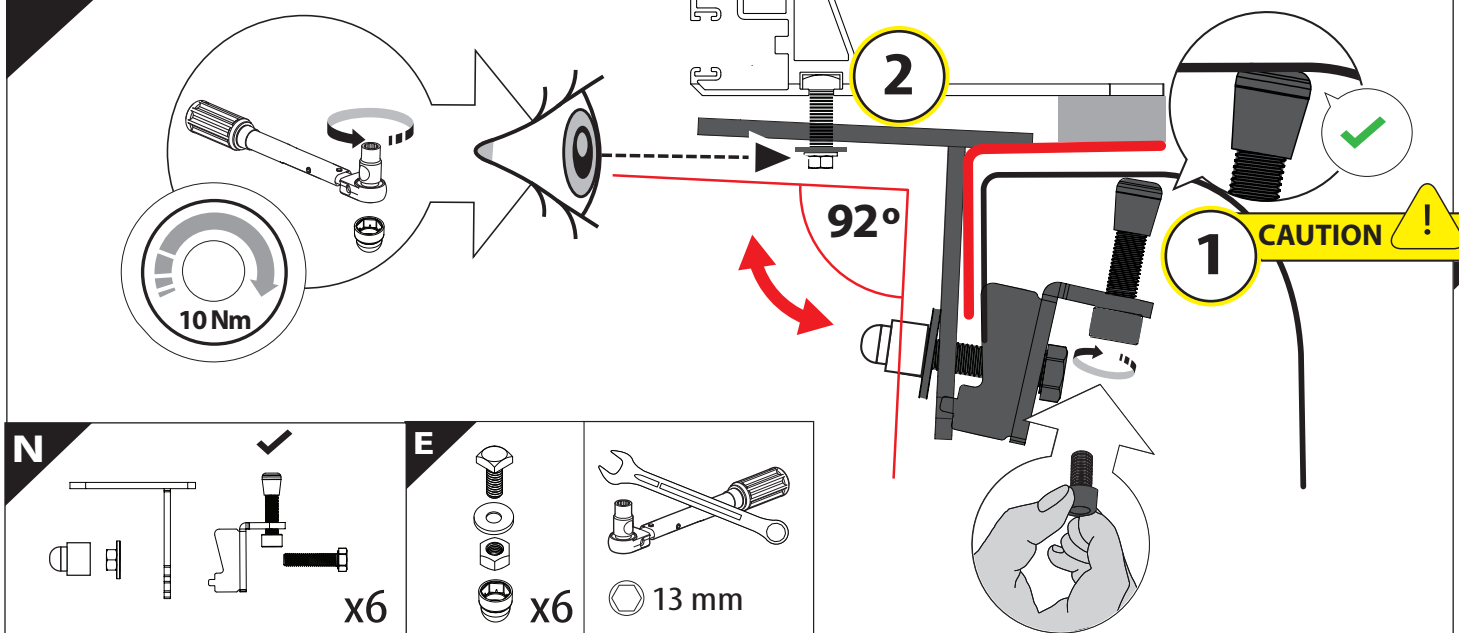


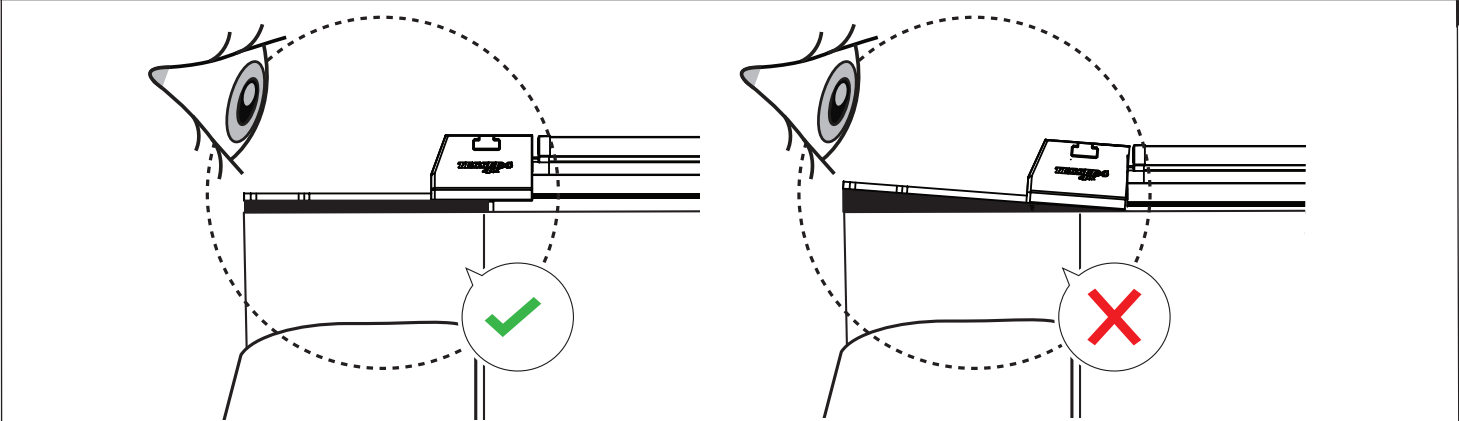
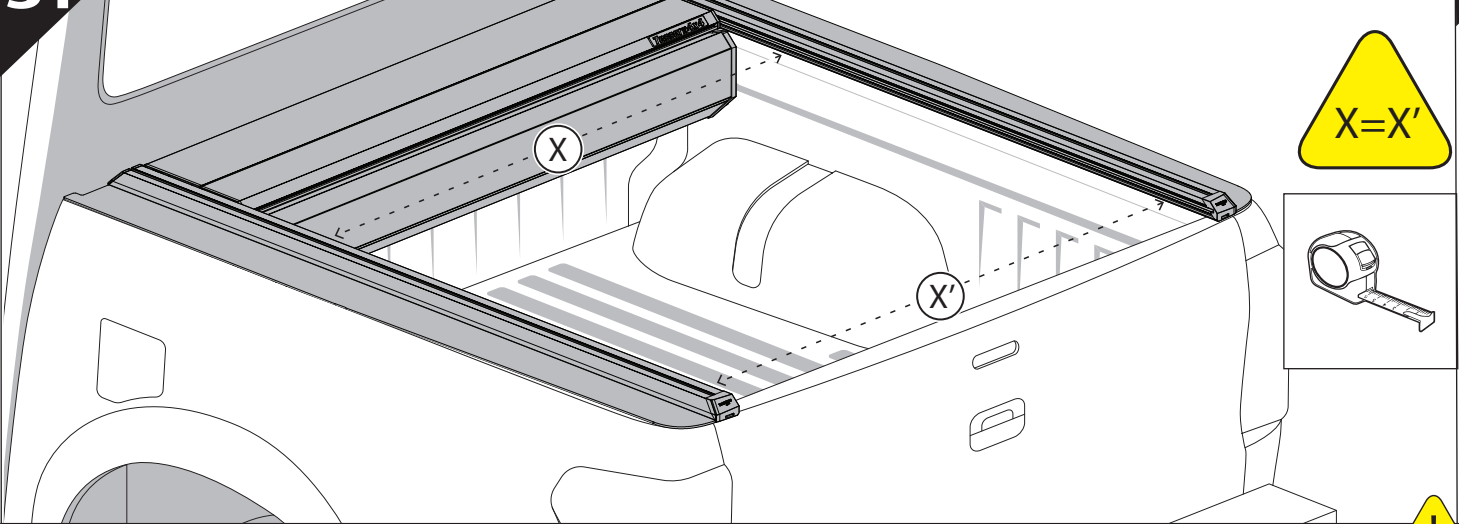
29



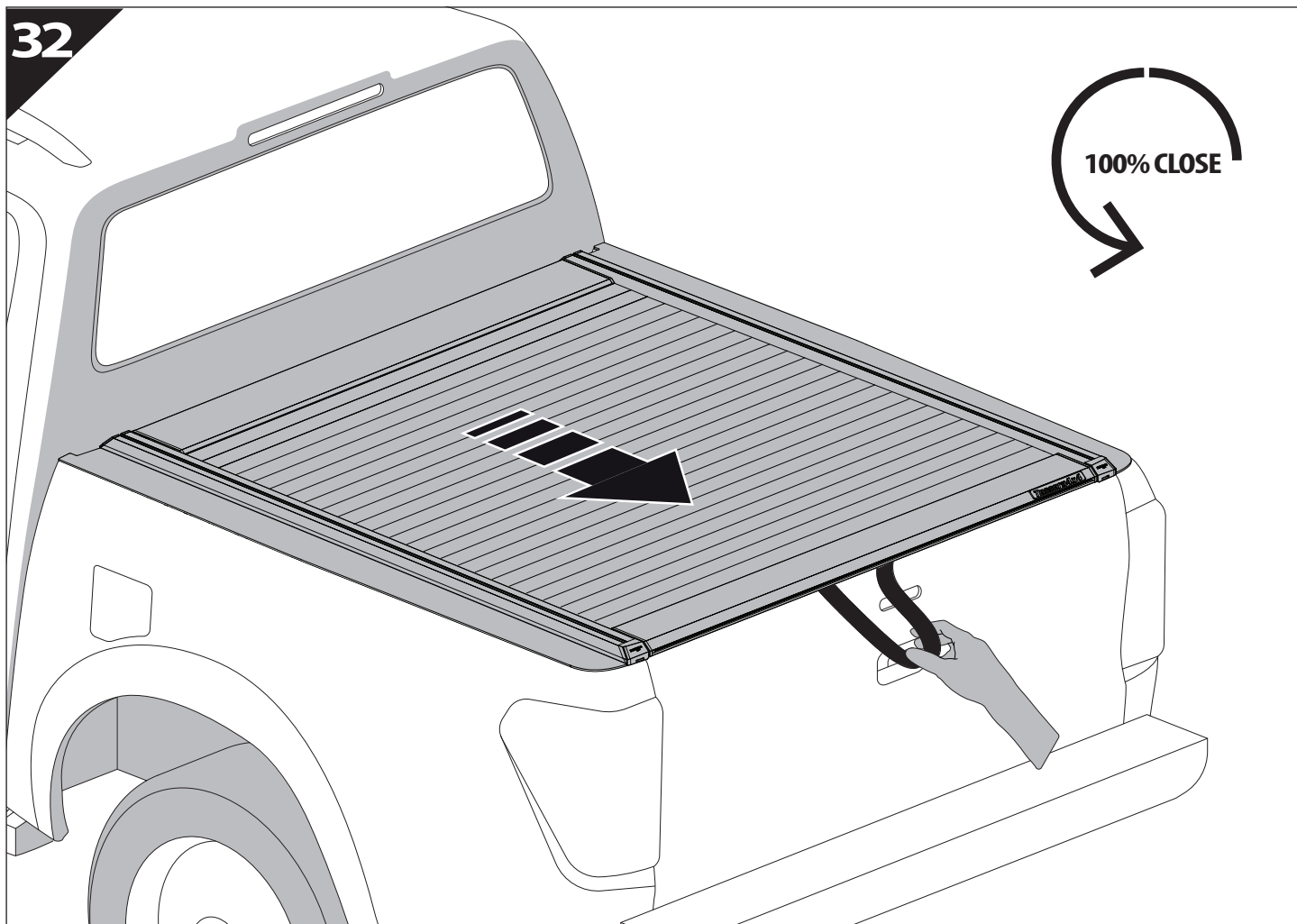


30.1

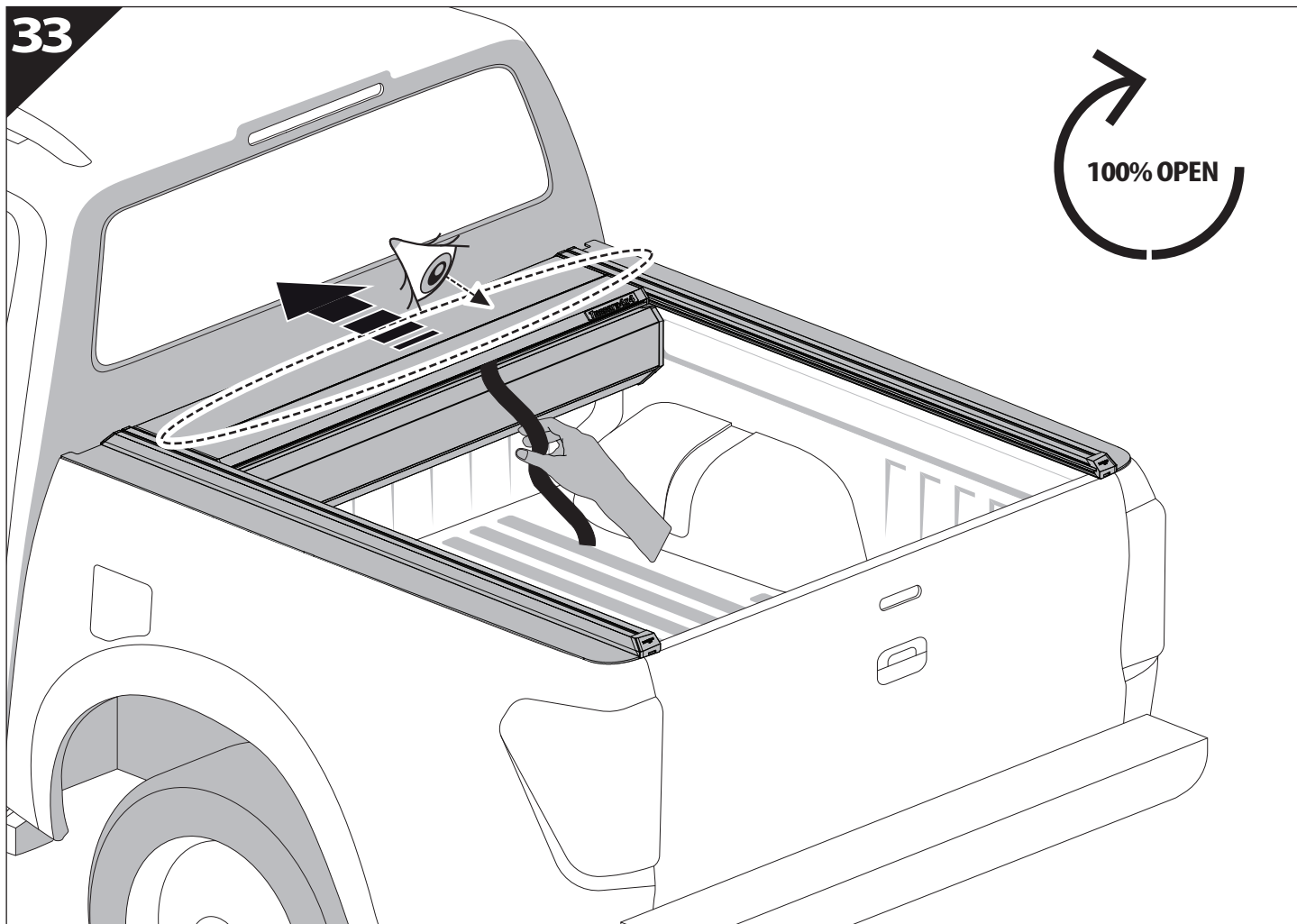




32



33



GR: Οδηγίες Εγκατάστασης
GB: Installation manual
SF: Asennusohje
F: Notice de montage
PL: Instrukcja montażu
NL: Installatie-instructies
TR: Montaj Talimatı
S: Monteringsanvisning
E: Instrucciones de montaje

H: Szerelési utasítás
P: Instruções de instalação
RUS: Инструкция по установке
N: Monteringsveiledning
D: Einbauanleitung
CZ: Návod k instalaci
I: Istruzioni de montaggio
DK: Monteringsvejledning
RO: Instructiuni de instalare

Customer Service:

+30 (210) 5541161, +30 (210) 5541154 (08:00 - 16:00 EET)

Support department:

info@gianso.gr

Website:

www.tessera4x4.com

Address:

19.5 km of National road Athens-Korinthos (Elefsina) Greece, P.C: 19240