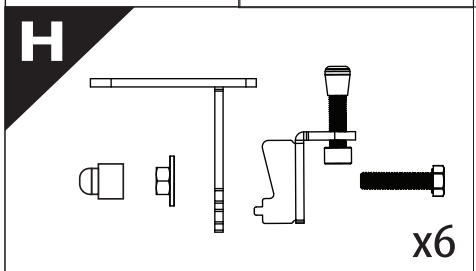
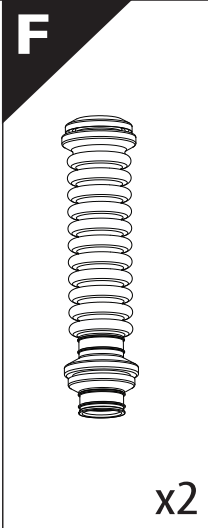
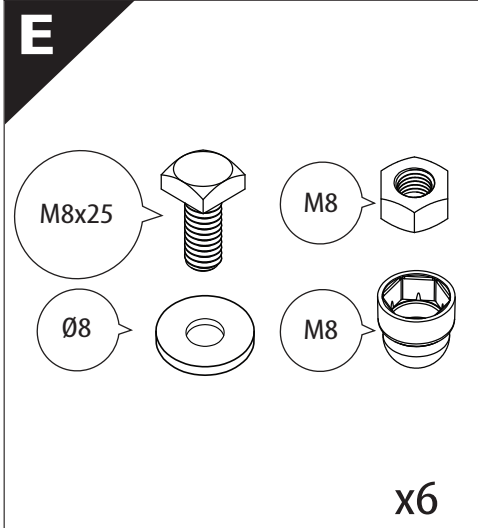
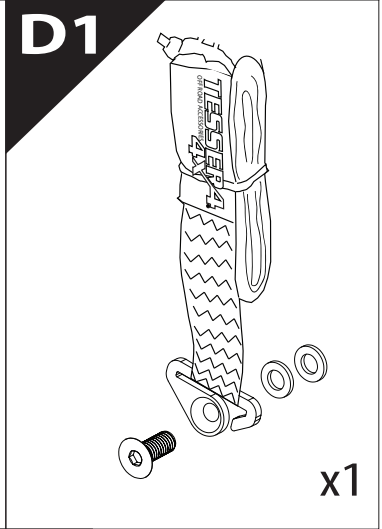
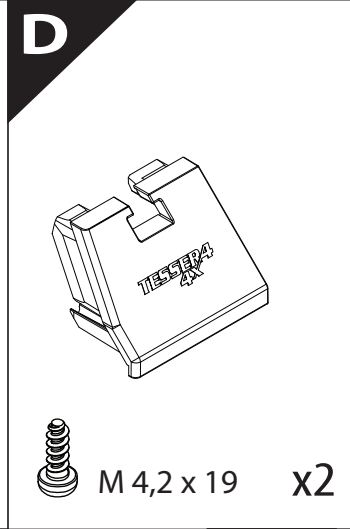
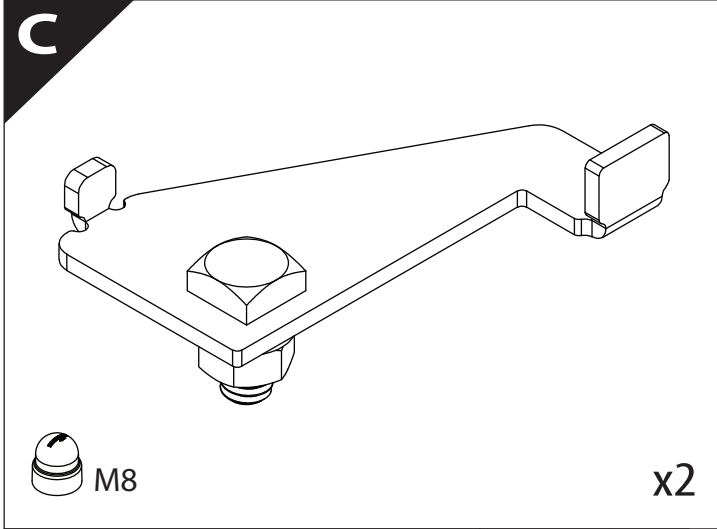
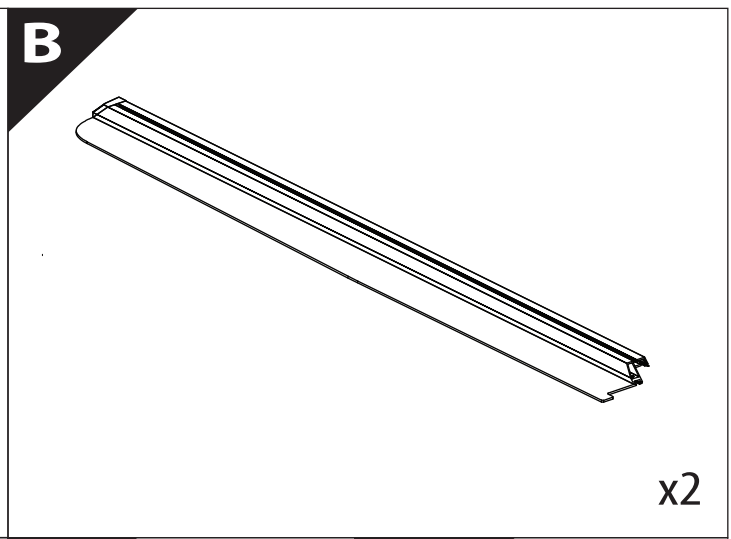
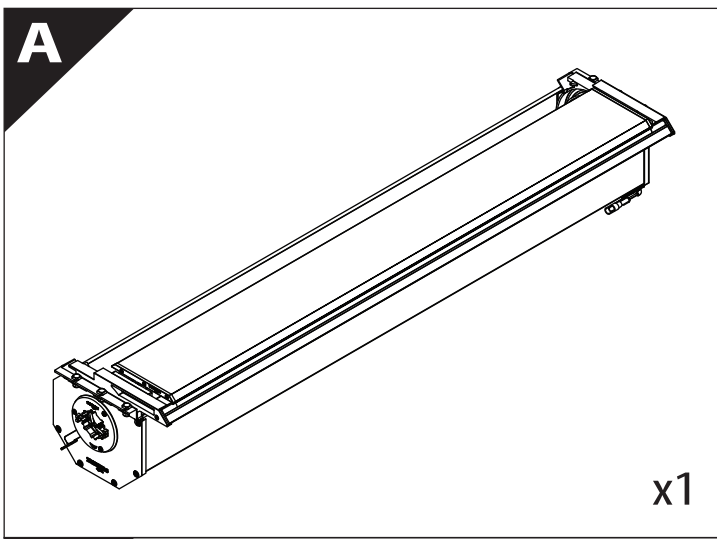
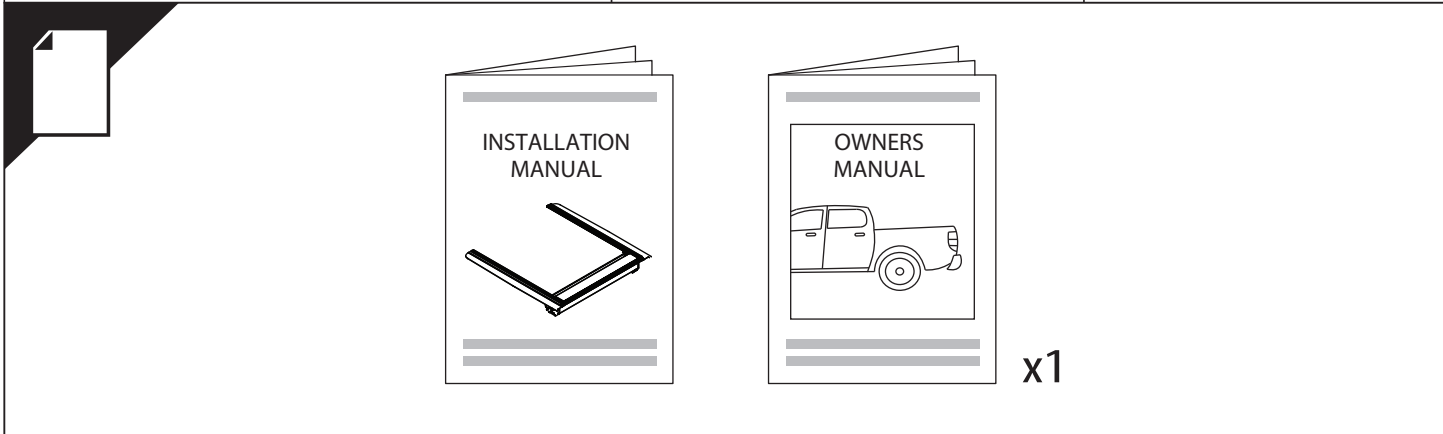
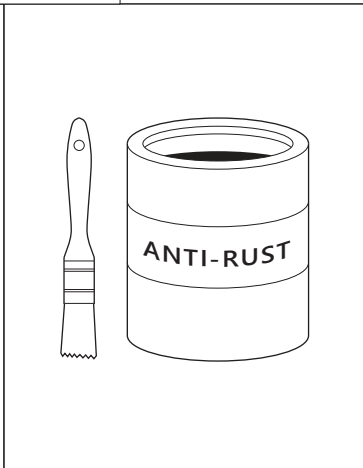
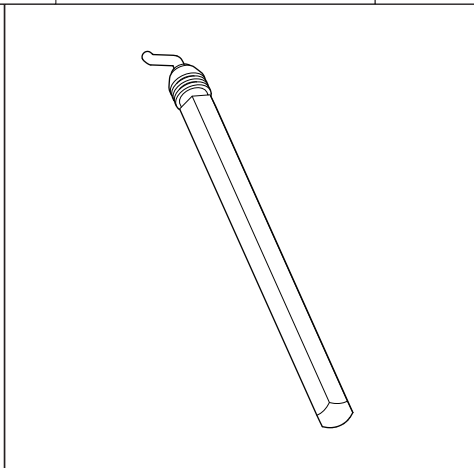
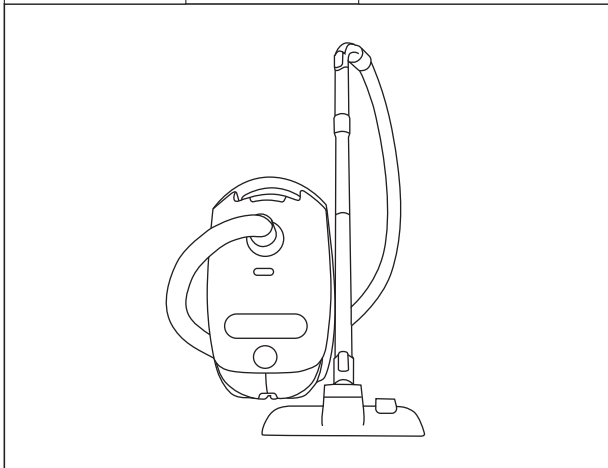
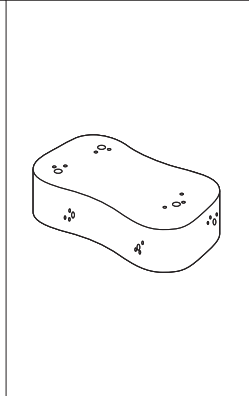
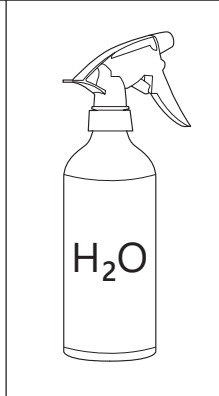
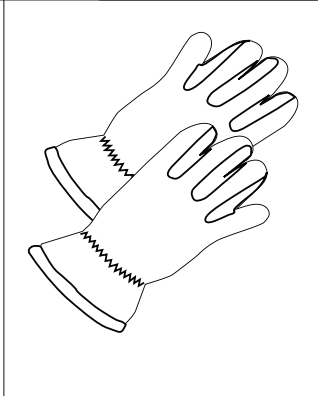
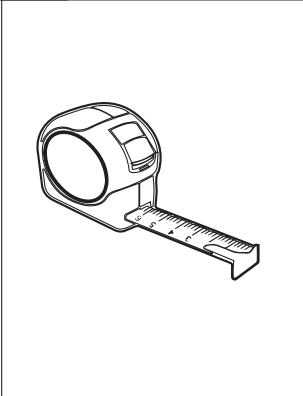
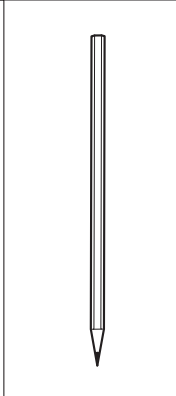
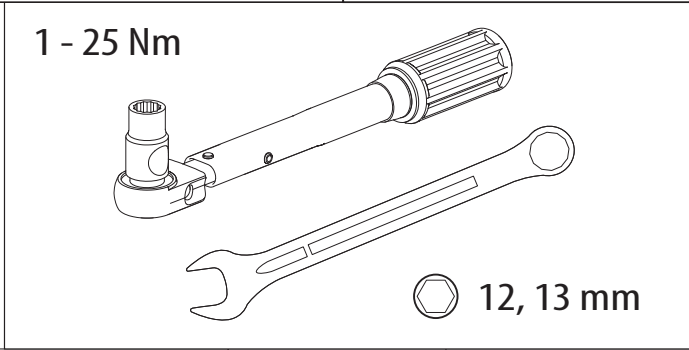
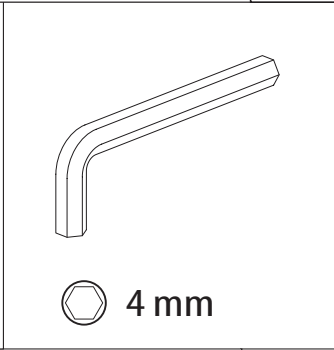
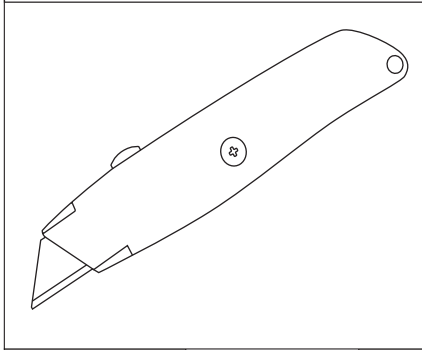
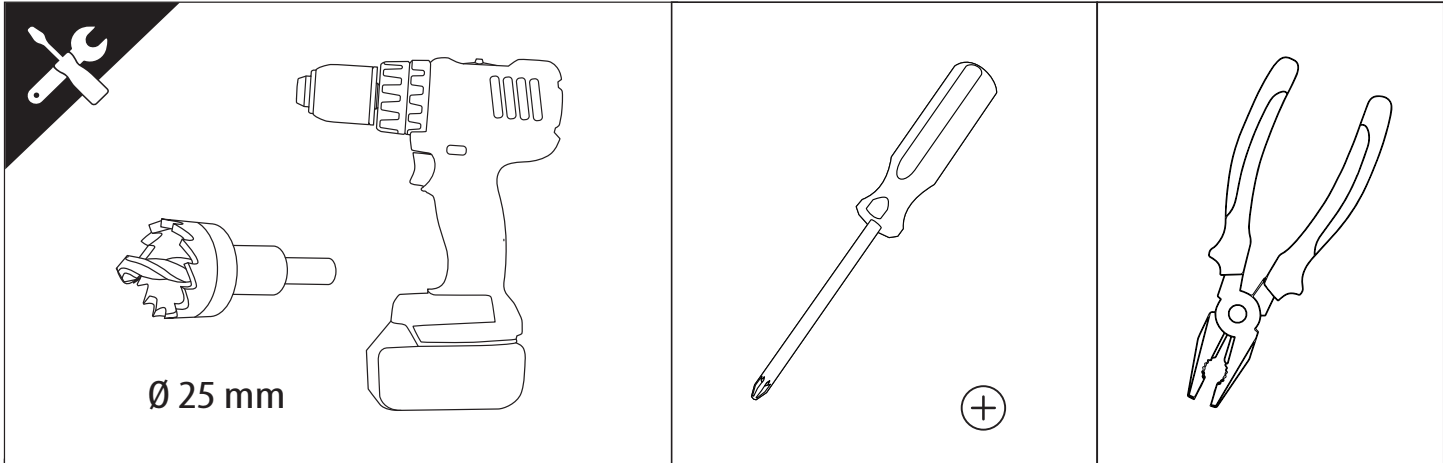




## Installation Manual

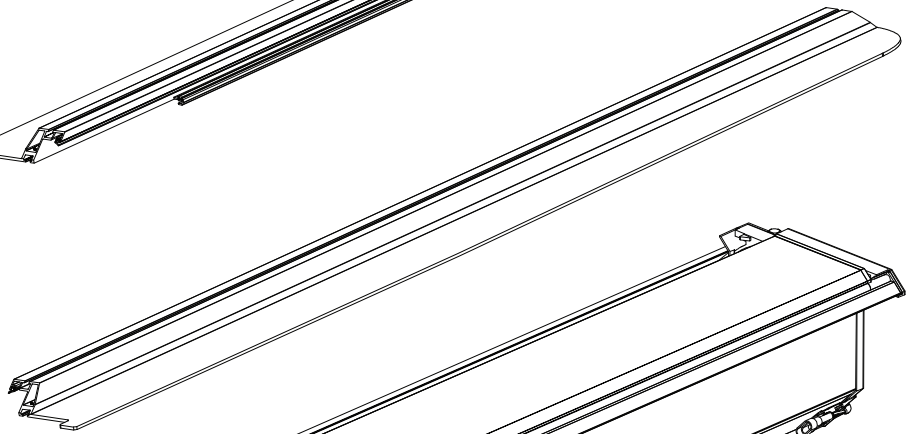
<b>PART NUMBER(S)</b>	<b>Model Year</b>
<b>TESS 1556 SE</b>	<b>GMC Hummer EV 2025+</b>
<b>FEET</b>	<b>Installation Time / Weight</b>
<b>5 Feet</b>	<b>40-60 minutes / 53-57 kg</b>



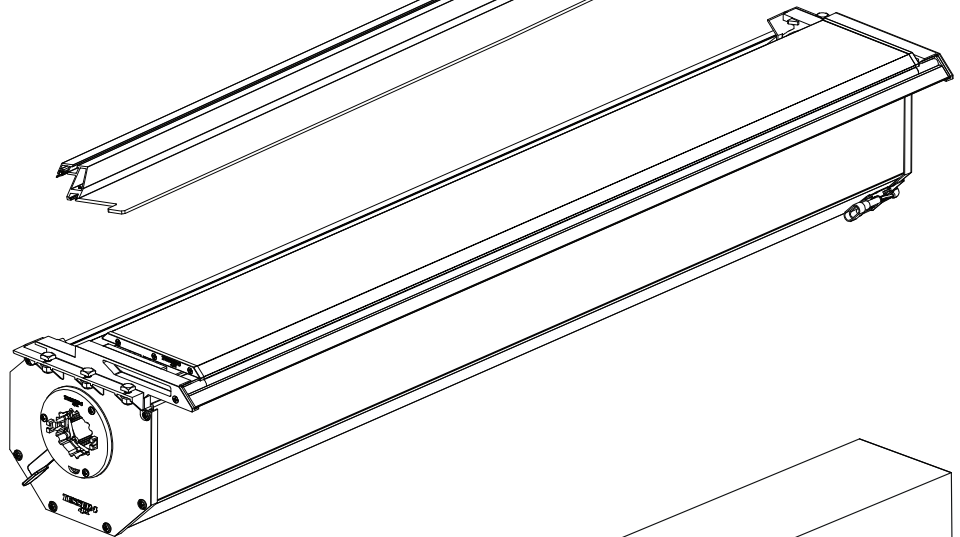




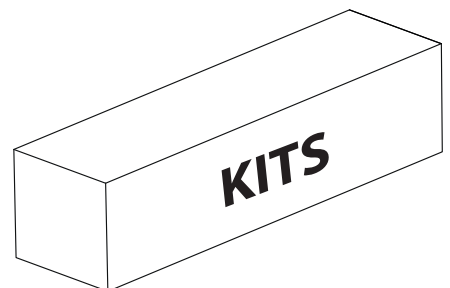
**B**



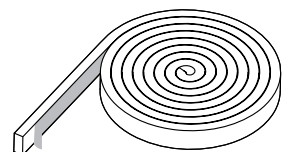
**A**

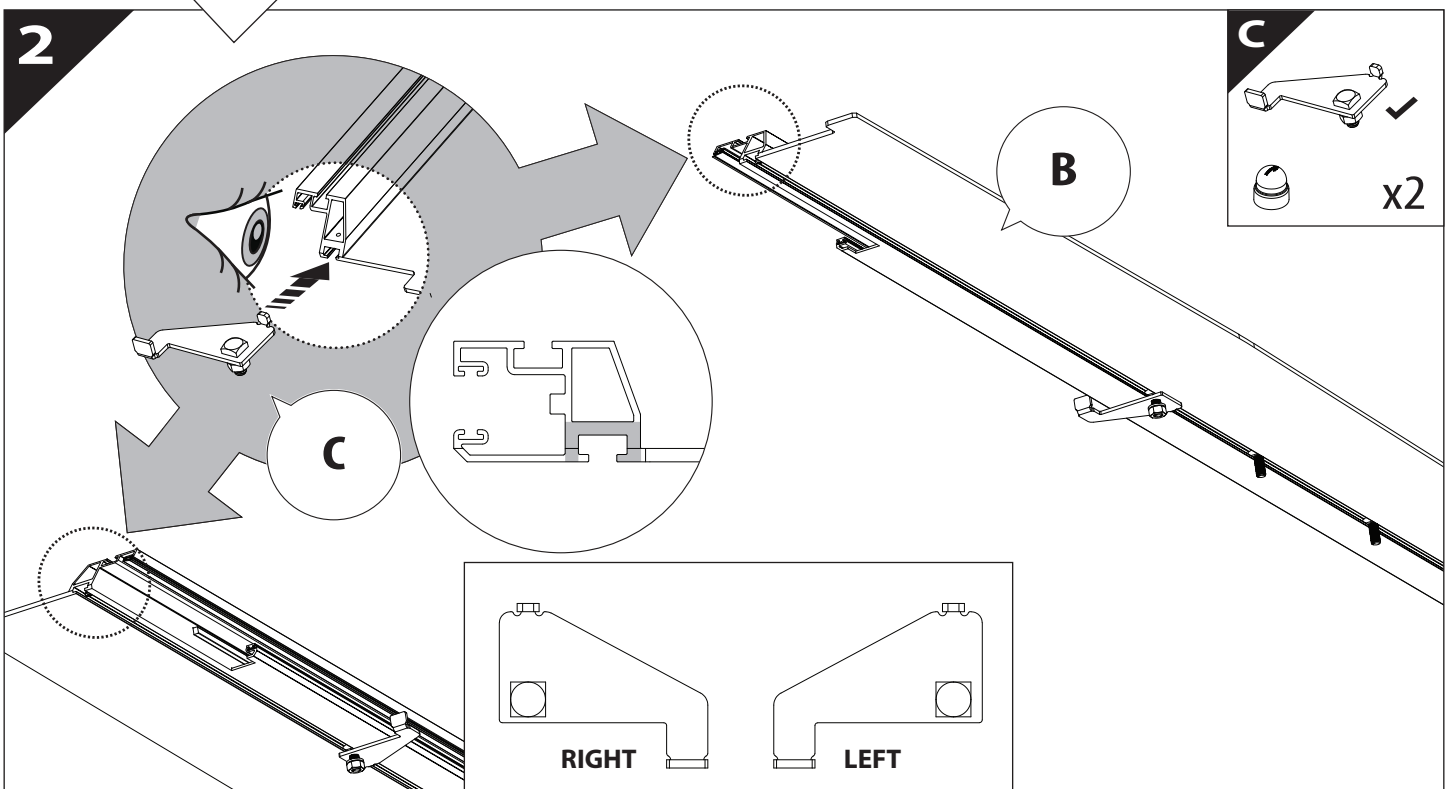
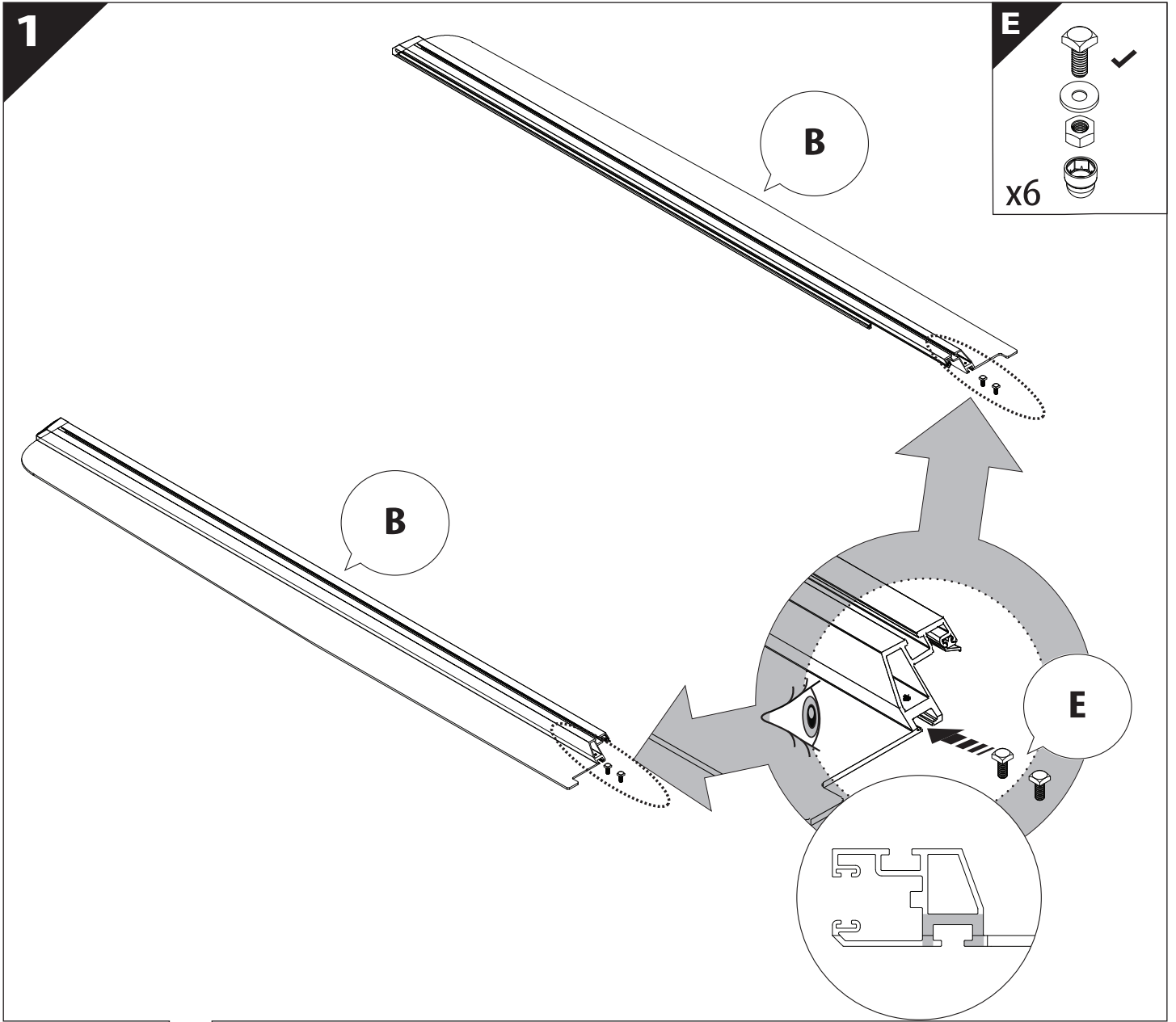


**KITS**

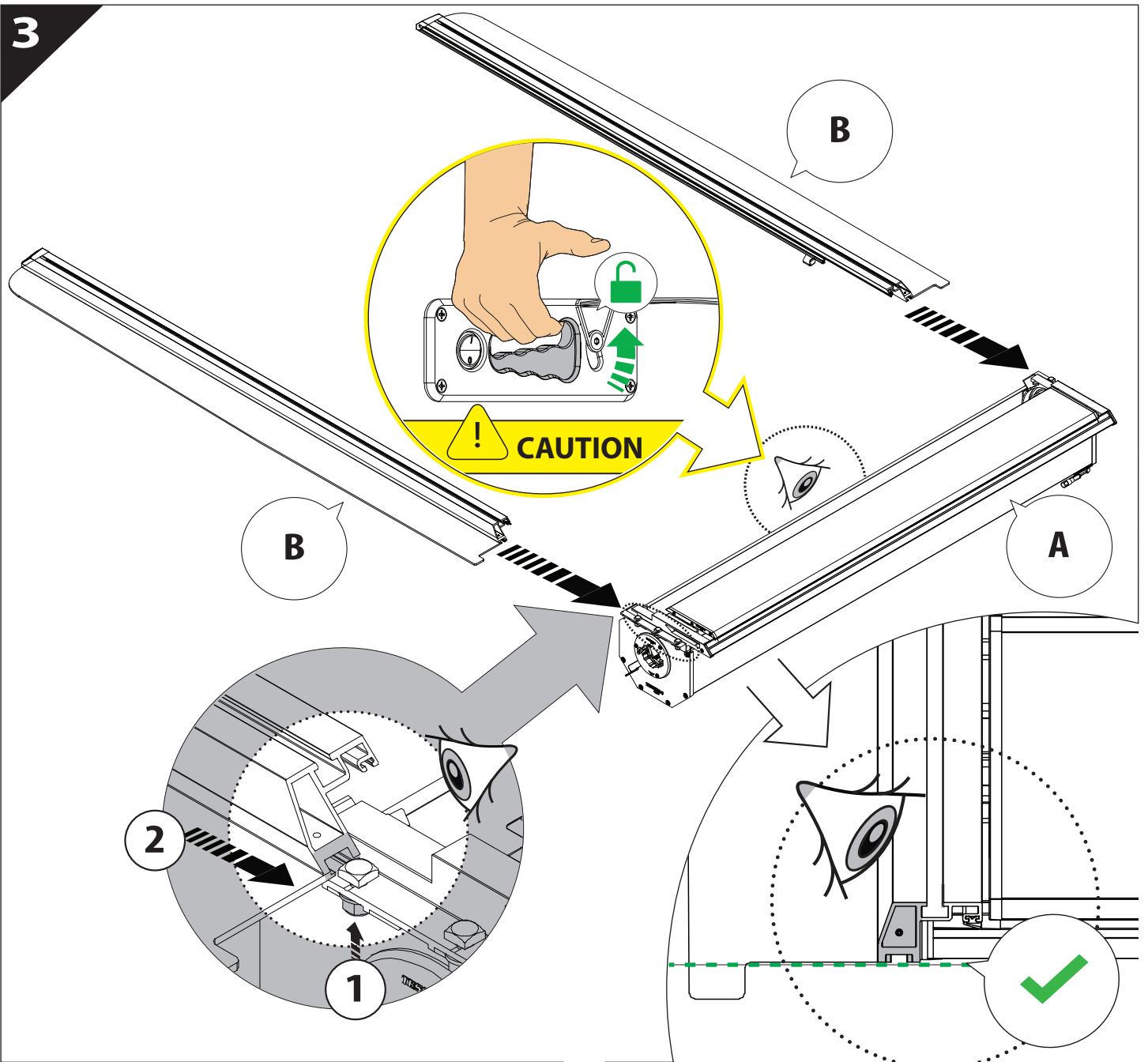


**G**

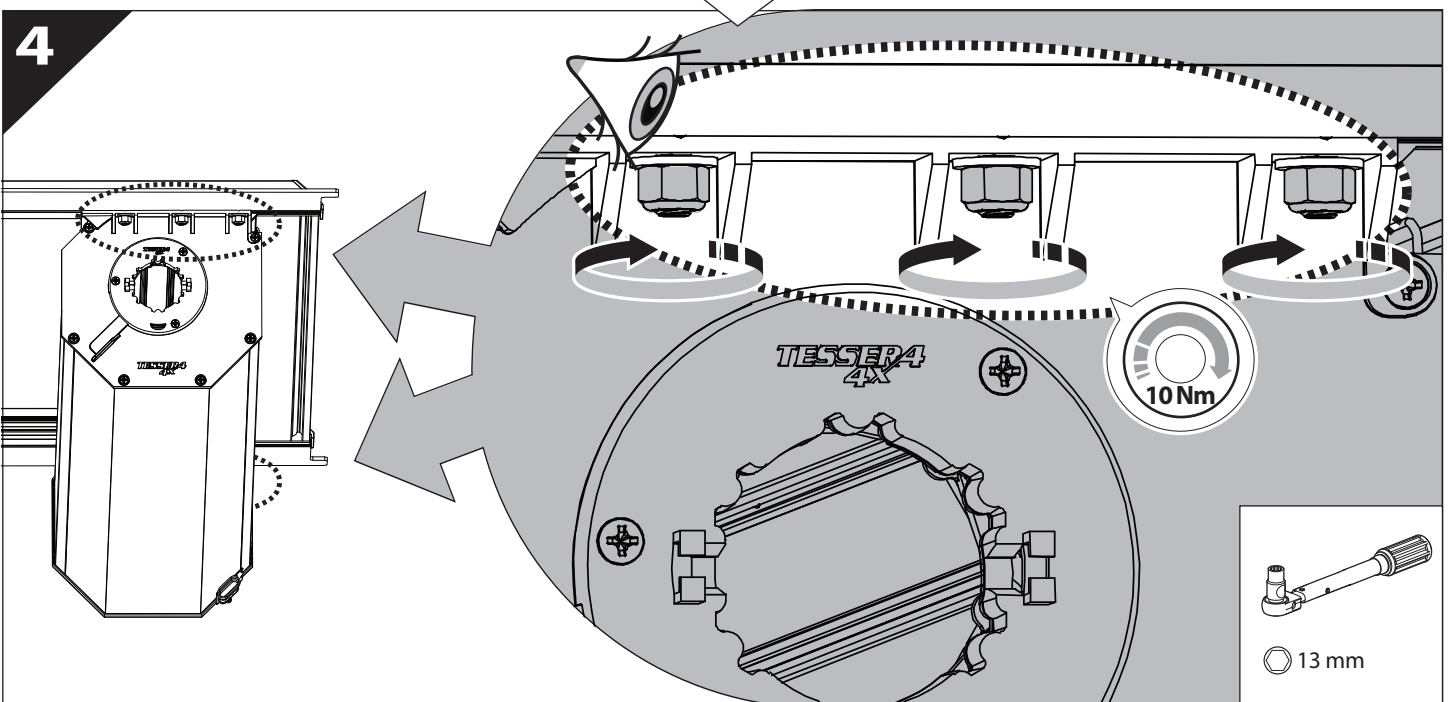




3

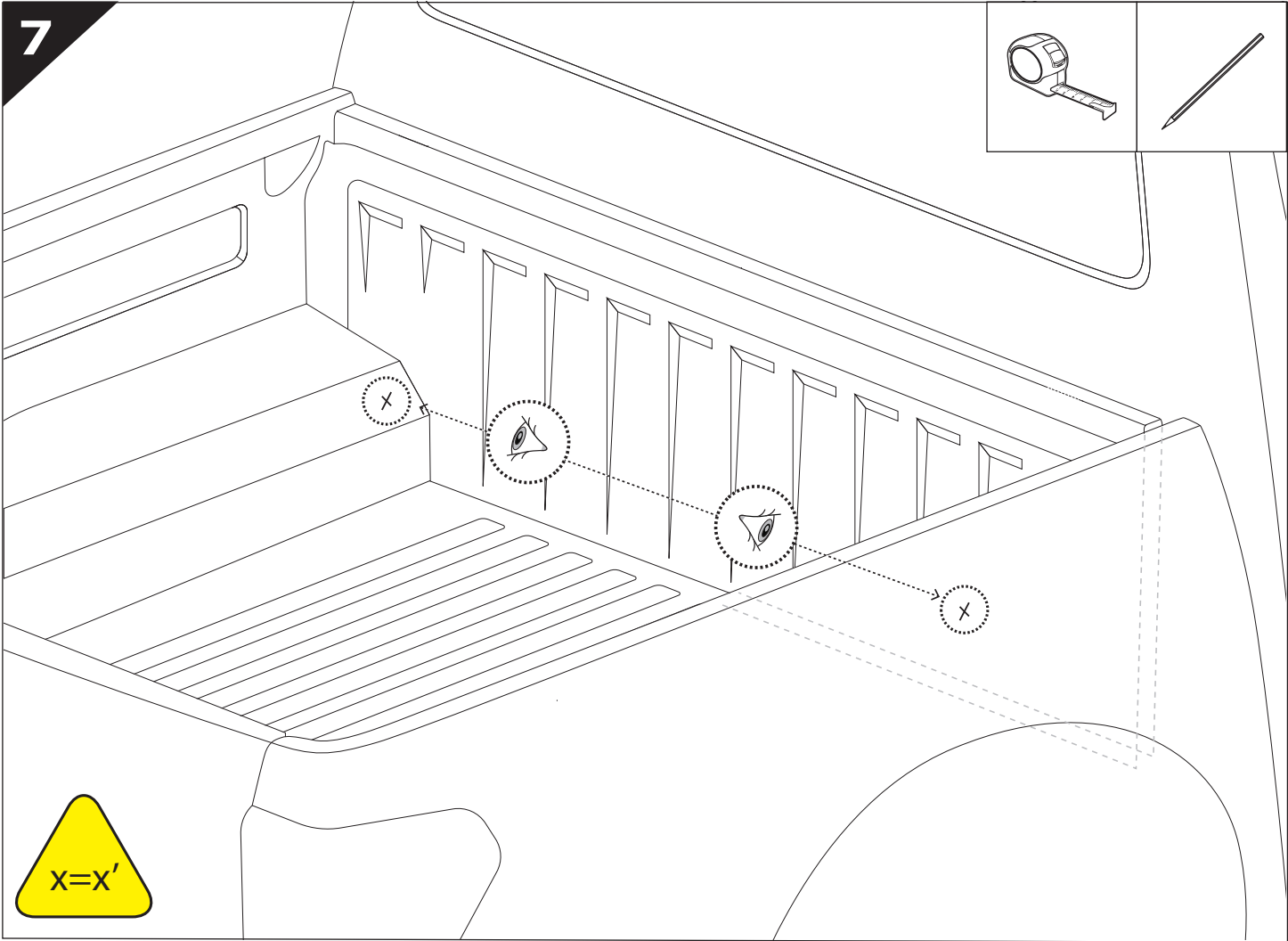
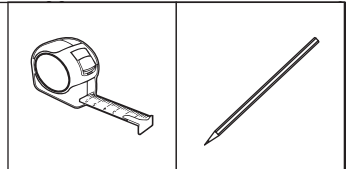


4

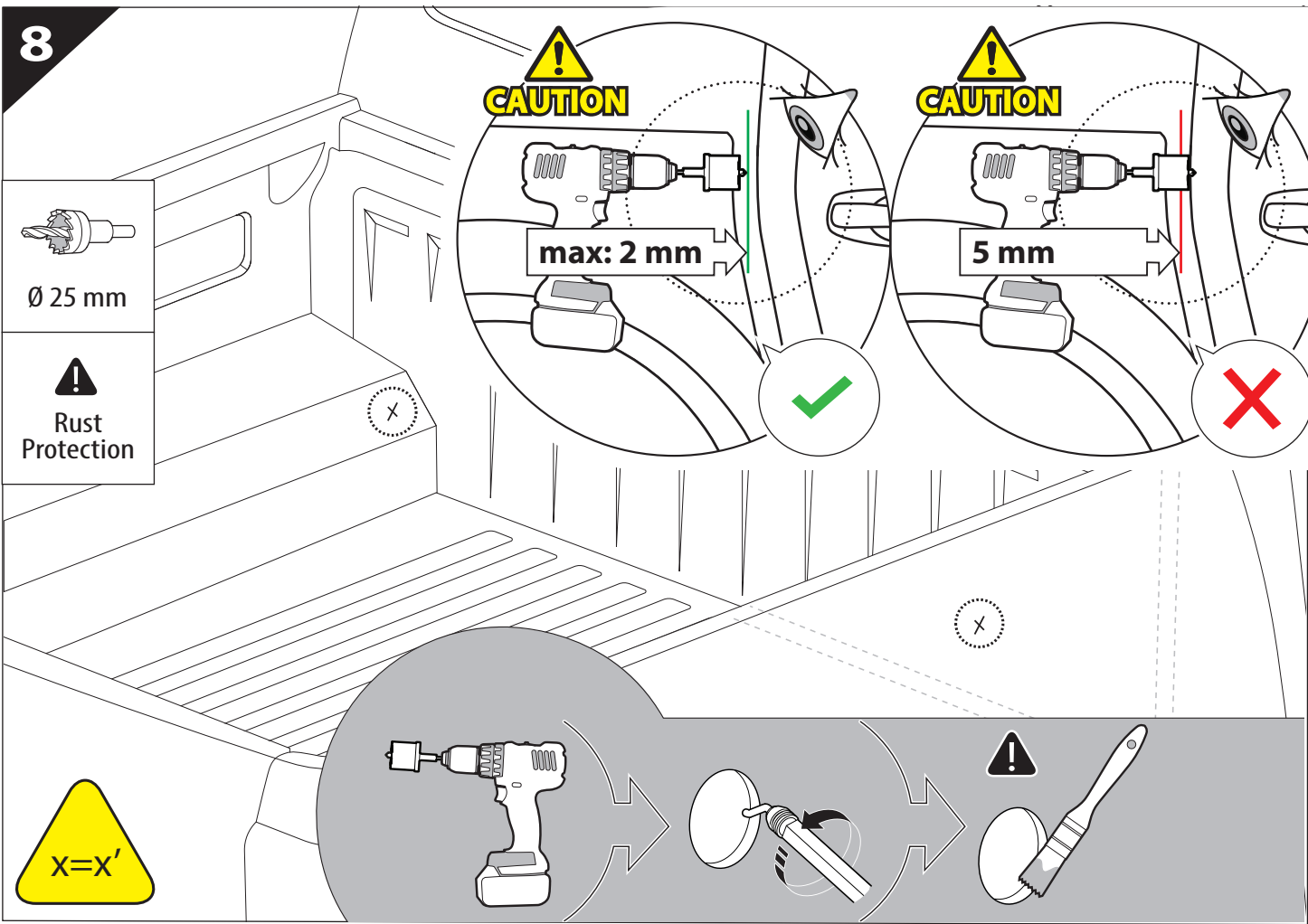





7




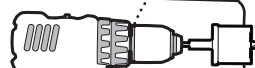
8





  
 Ø 25 mm


  
 Rust Protection


  
**CAUTION**

  
 max: 2 mm

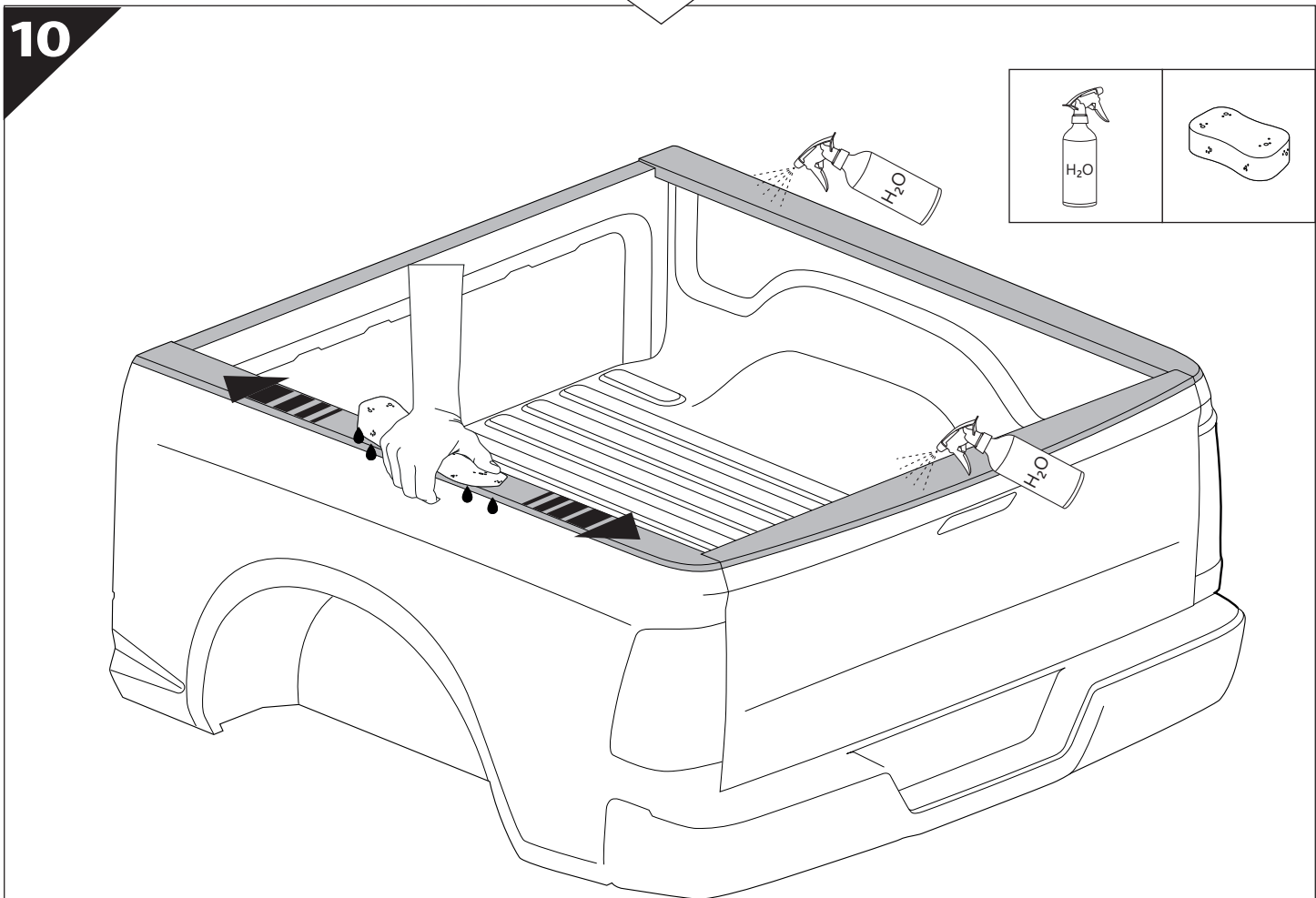
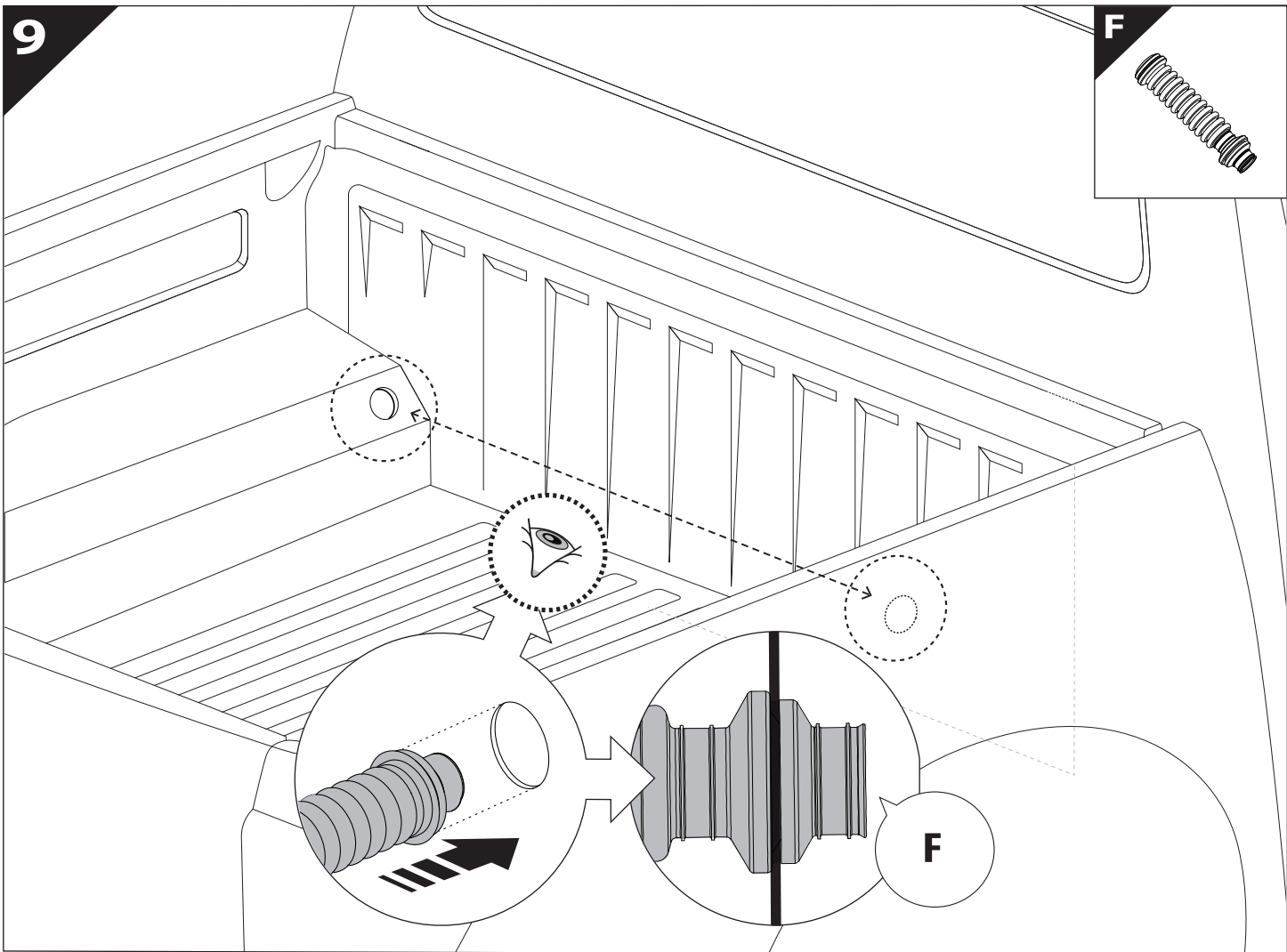


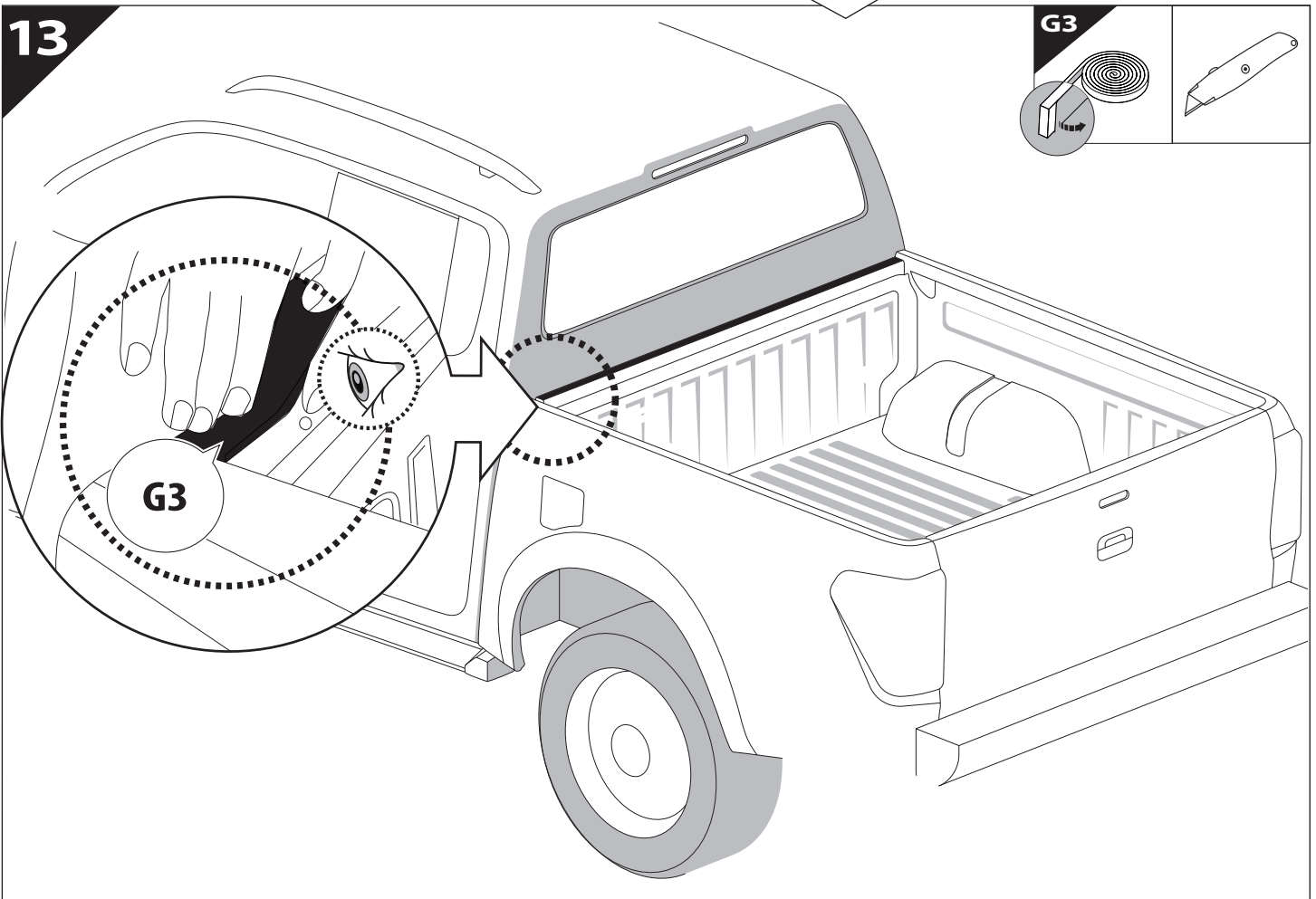
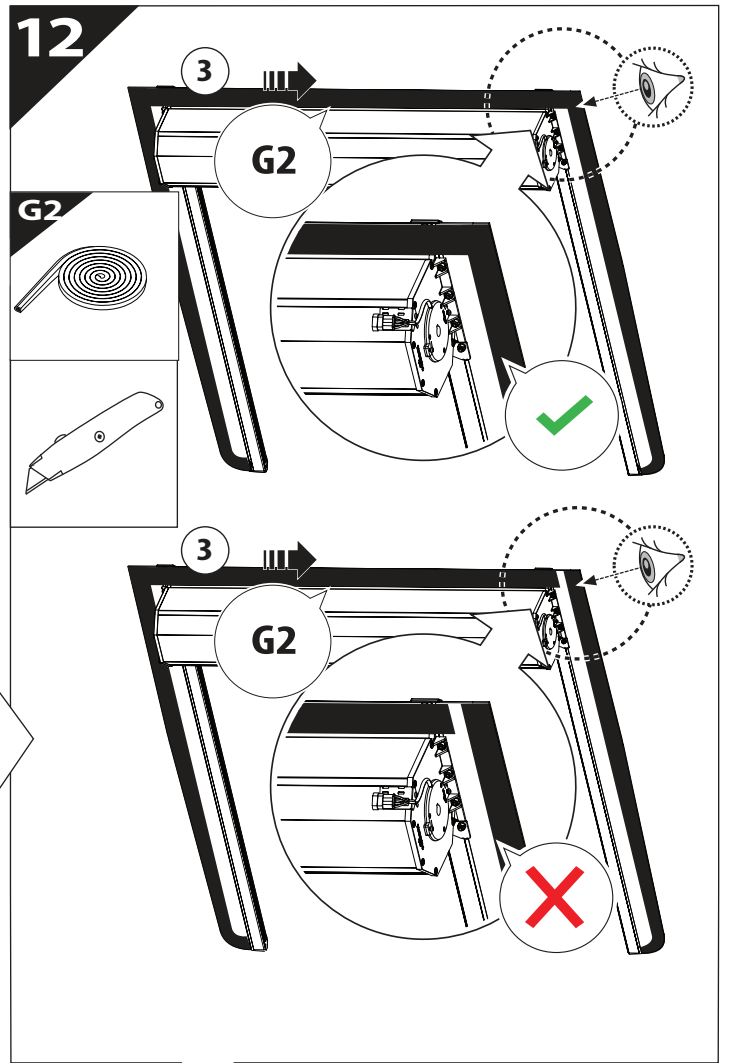
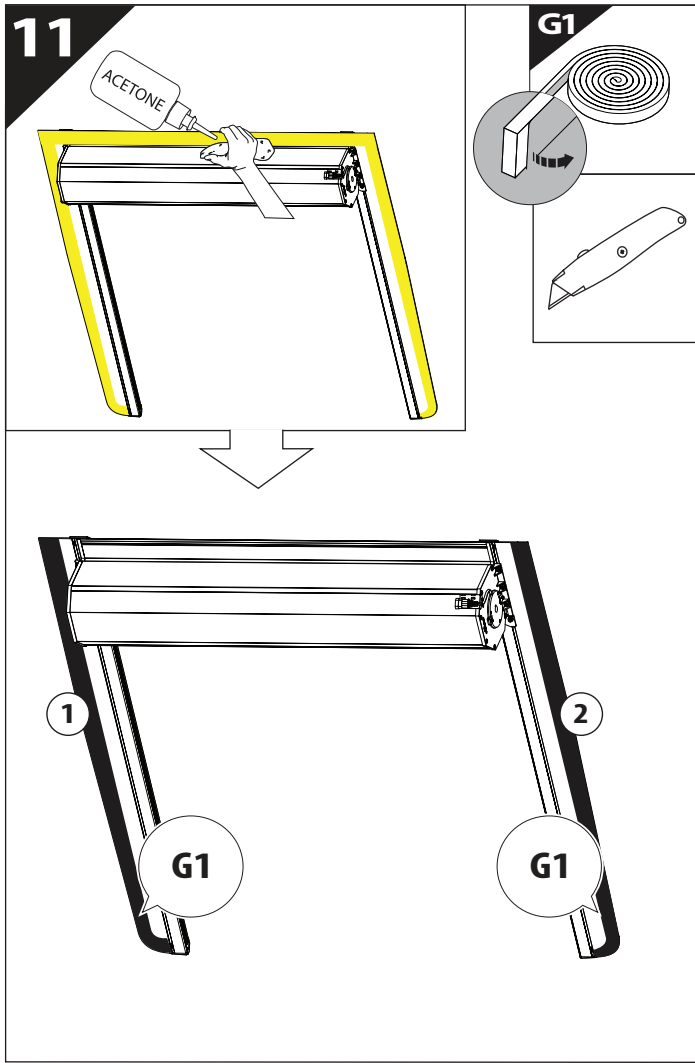
  
**CAUTION**

  
 5 mm

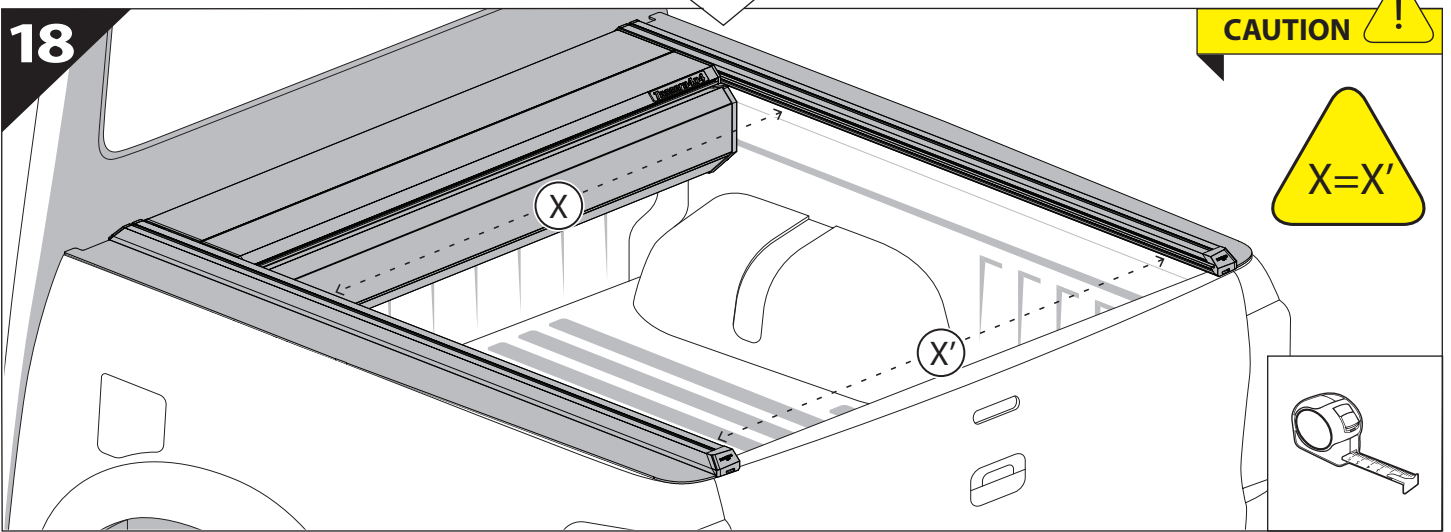
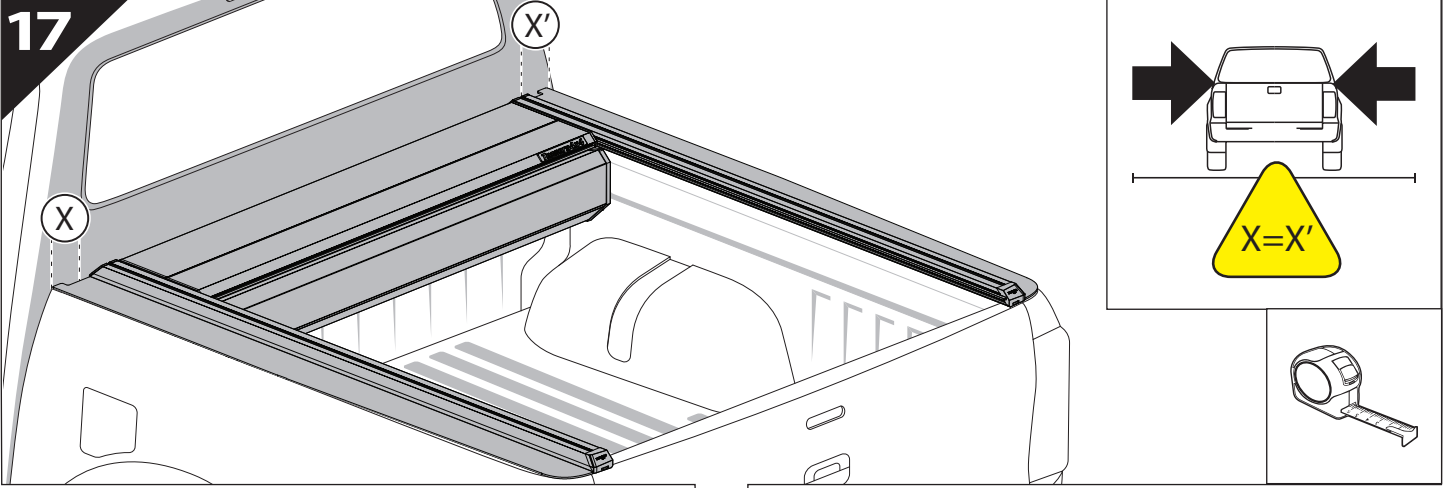


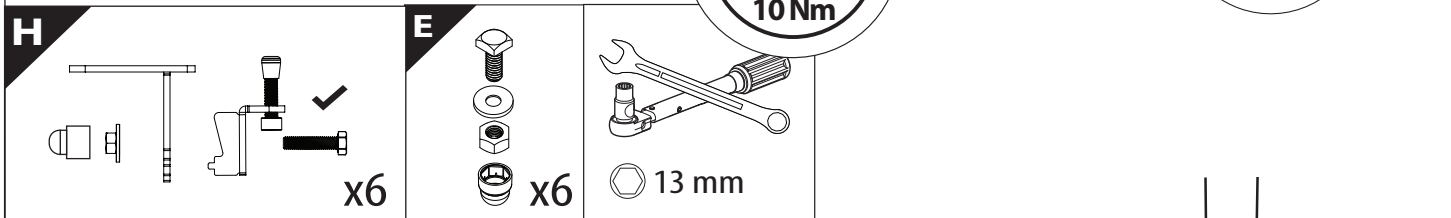
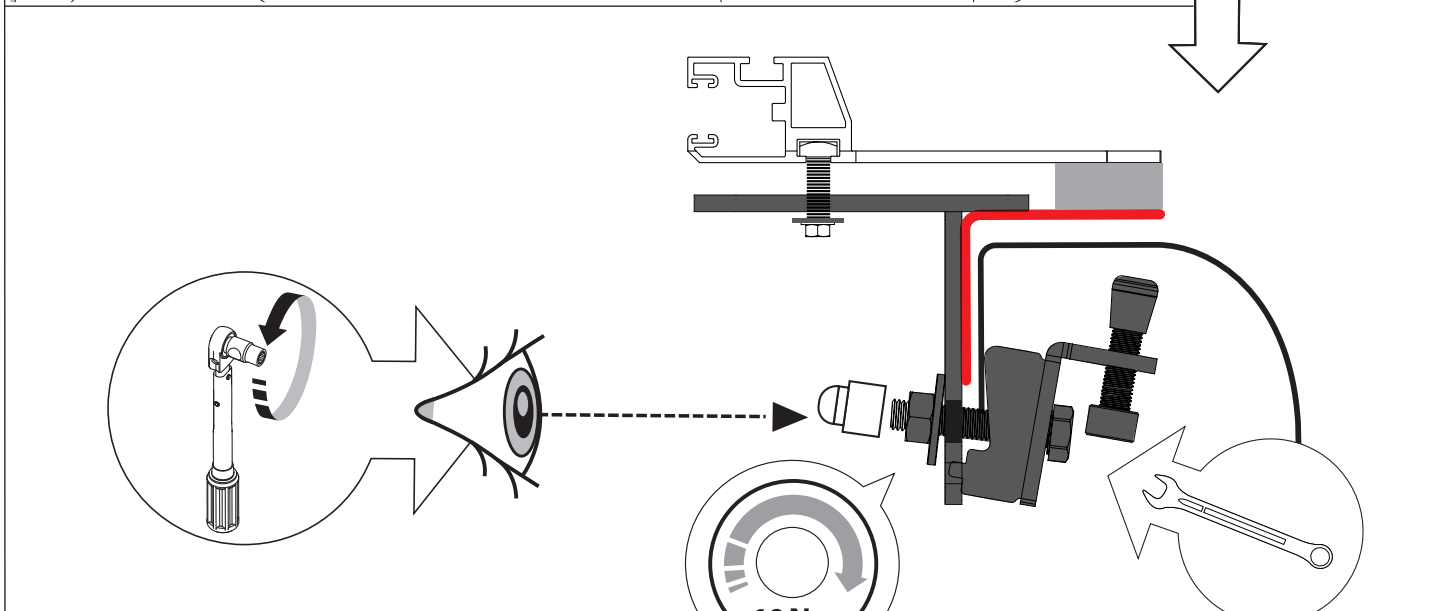
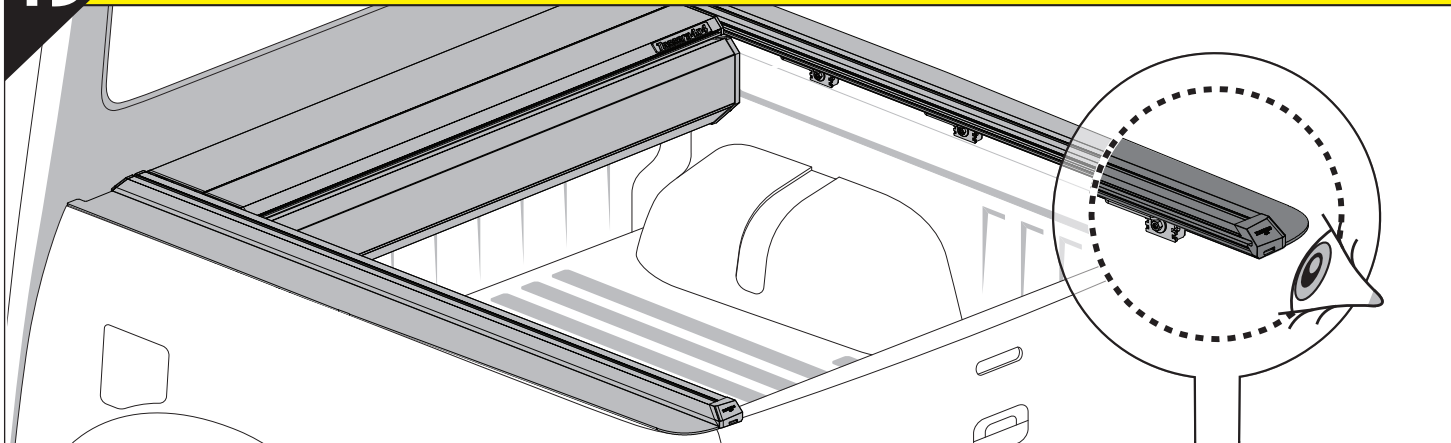




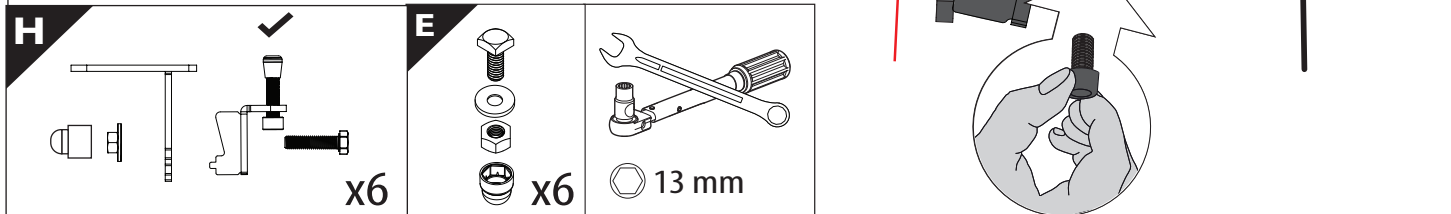
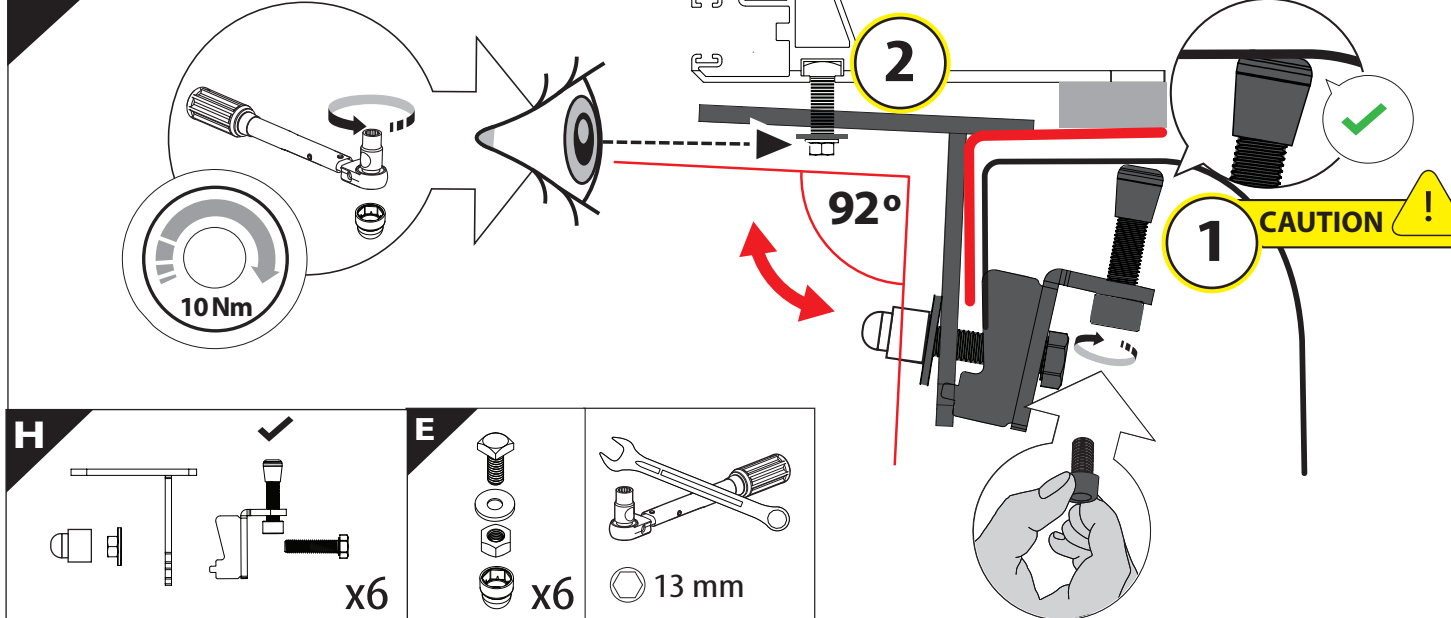


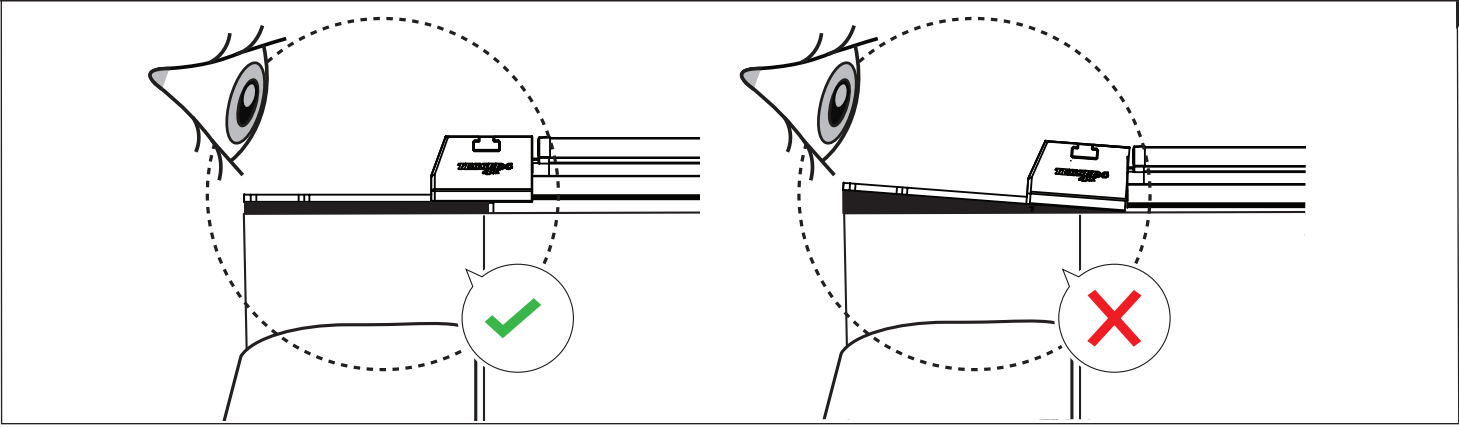
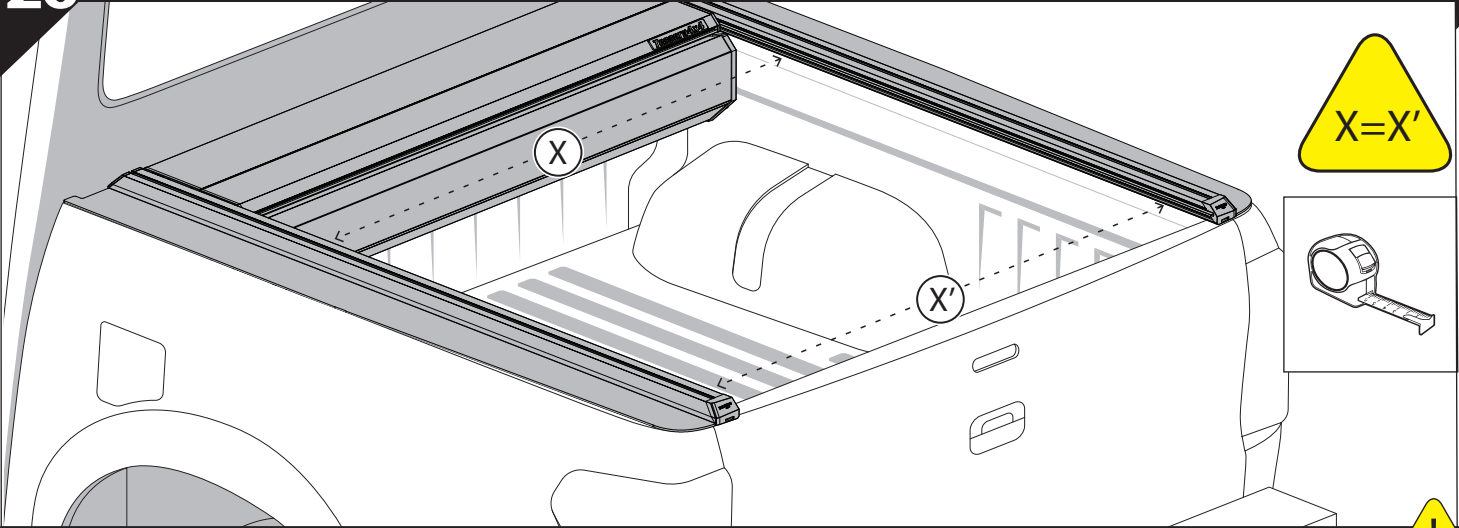




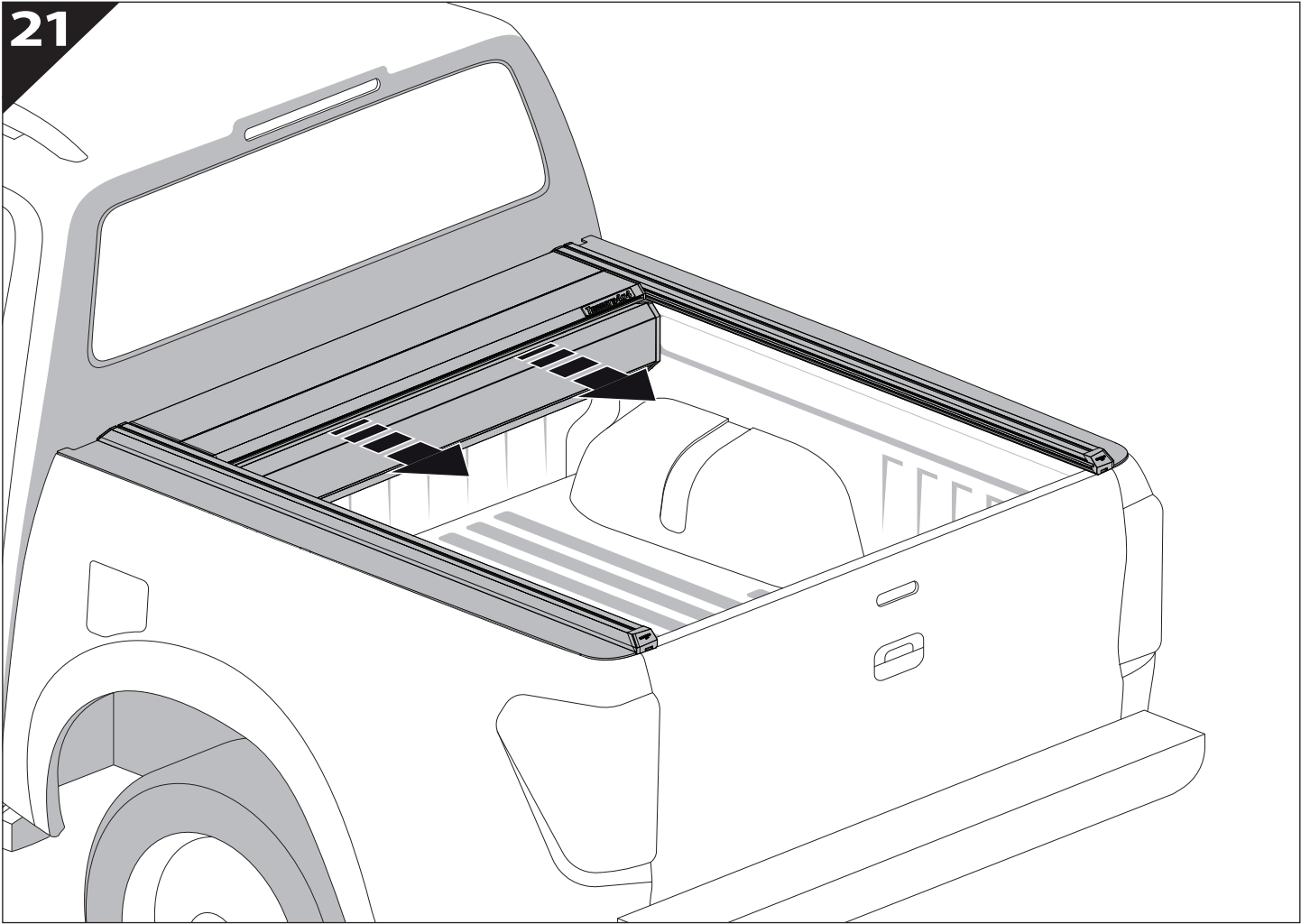


19.1

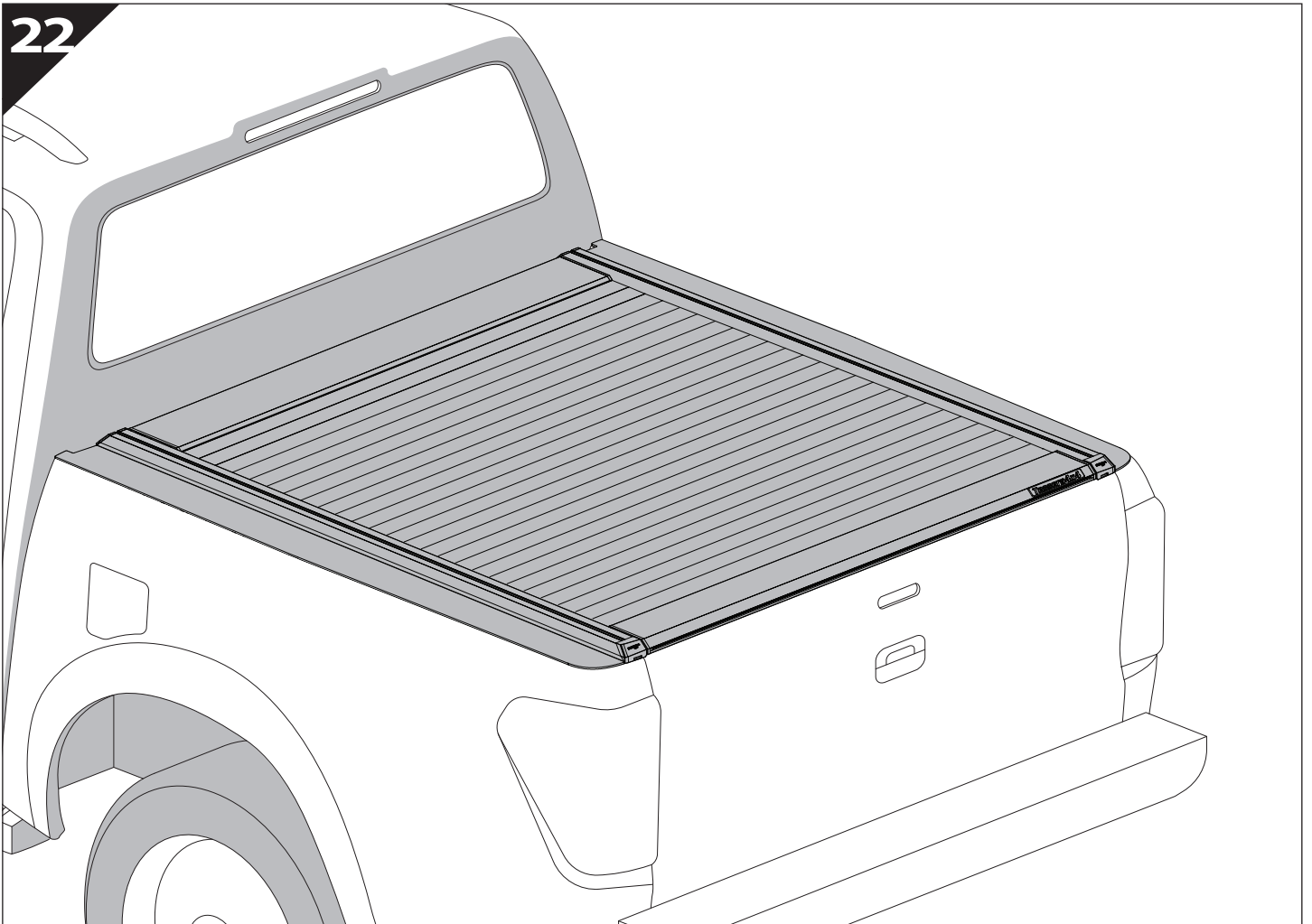




21



22





**GR:** Οδηγίες Εγκατάστασης  
**GB:** Installation manual  
**SF:** Asennusohje  
**F:** Notice de montage  
**PL:** Instrukcja montażu  
**NL:** Installatie-instructies  
**TR:** Montaj Talimatı  
**S:** Monteringsanvisning  
**E:** Instrucciones de montaje

**H:** Szerelési utasítás  
**P:** Instruções de instalação  
**RUS:** Инструкция по установке  
**N:** Monteringsveiledning  
**D:** Einbauanleitung  
**CZ:** Návod k instalaci  
**I:** Istruzioni de montaggio  
**DK:** Monteringsvejledning  
**RO:** Instructiuni de instalare

Customer Service:

+30 (210) 5541161, +30 (210) 5541154 (08:00 - 16:00 EET)

Support department:

[info@gianso.gr](mailto:info@gianso.gr)

Website:

[www.tessera4x4.com](http://www.tessera4x4.com)

Address:

19.5 km of National road Athens-Korinthos (Elefsina) Greece, P.C: 19200