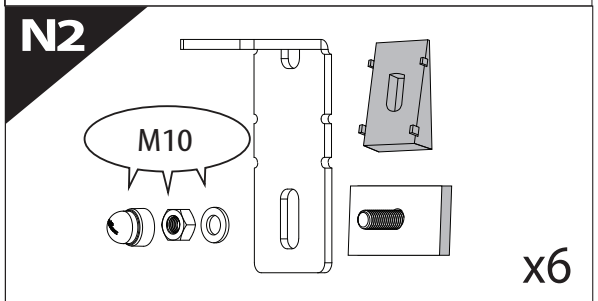
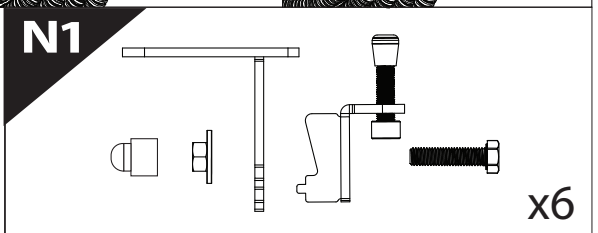
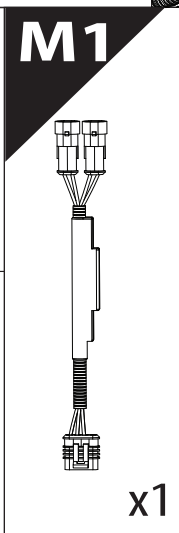
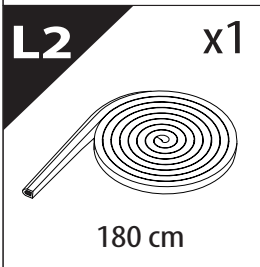
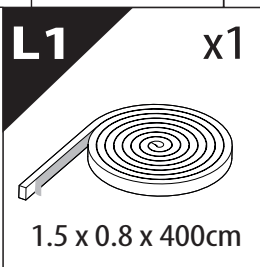
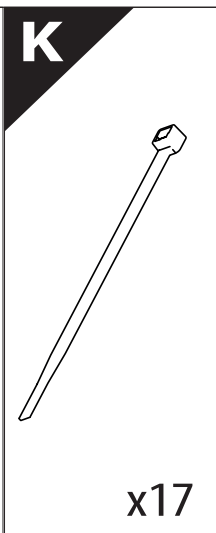
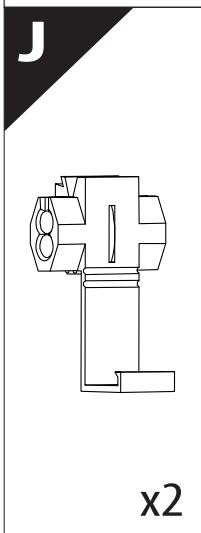
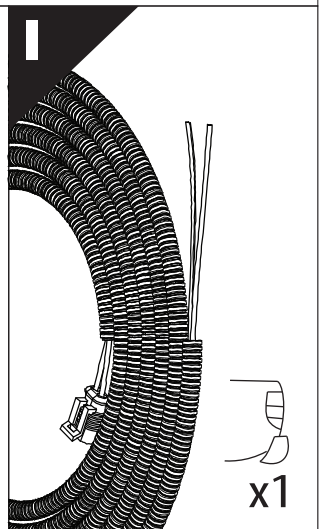
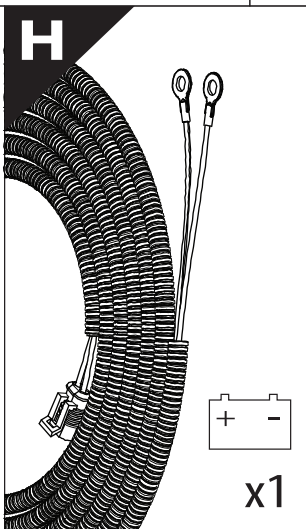
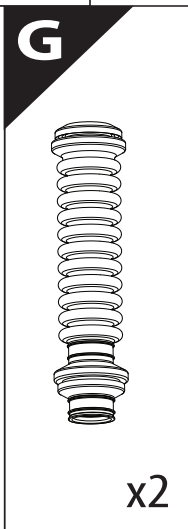
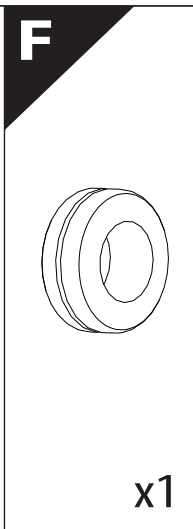
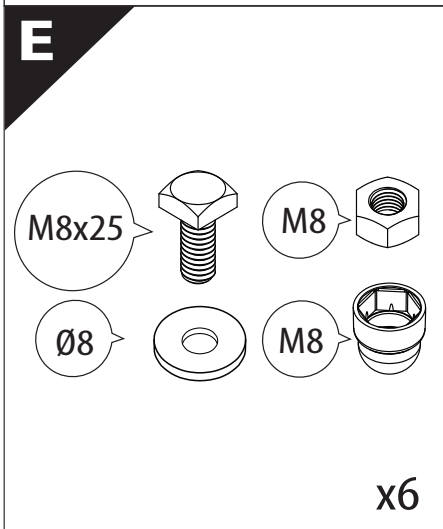
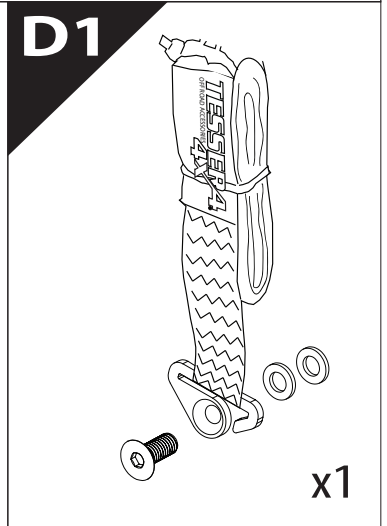
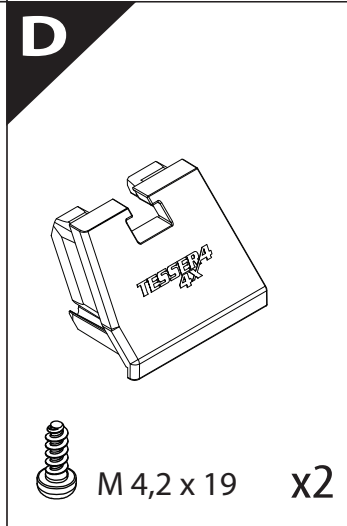
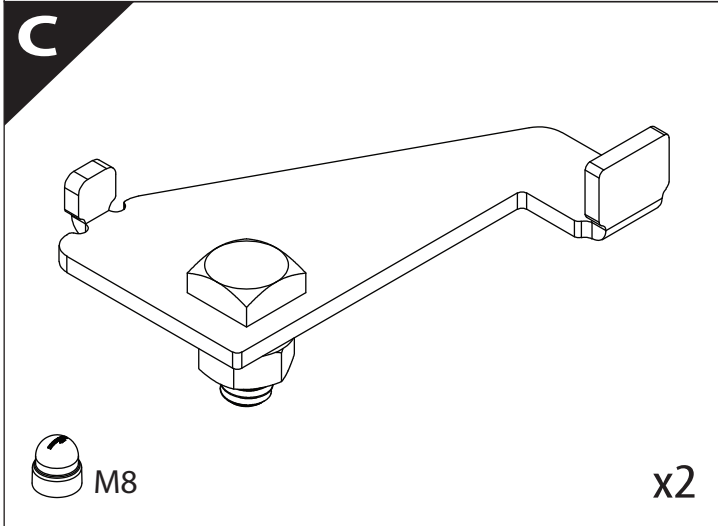
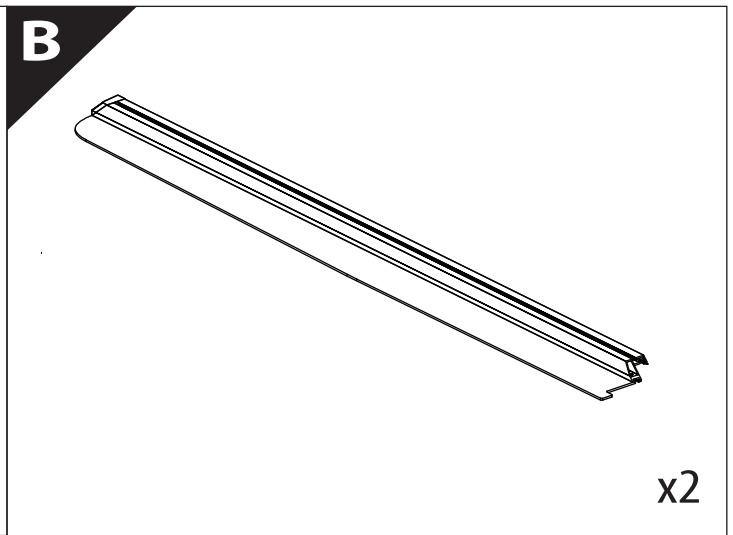
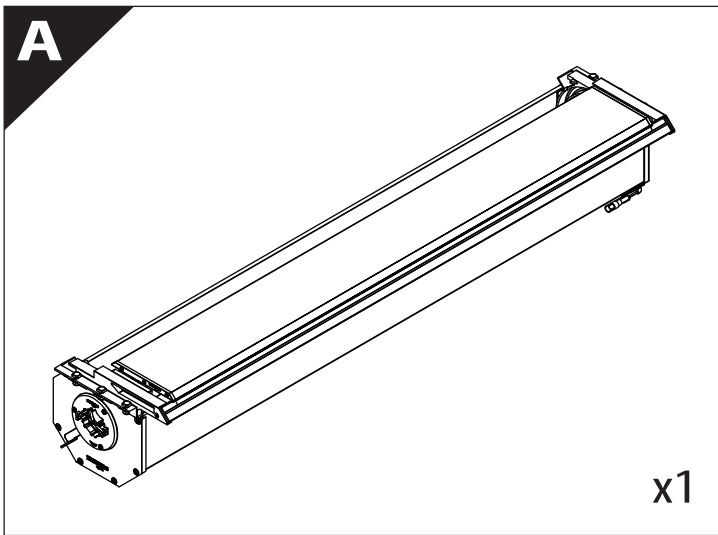


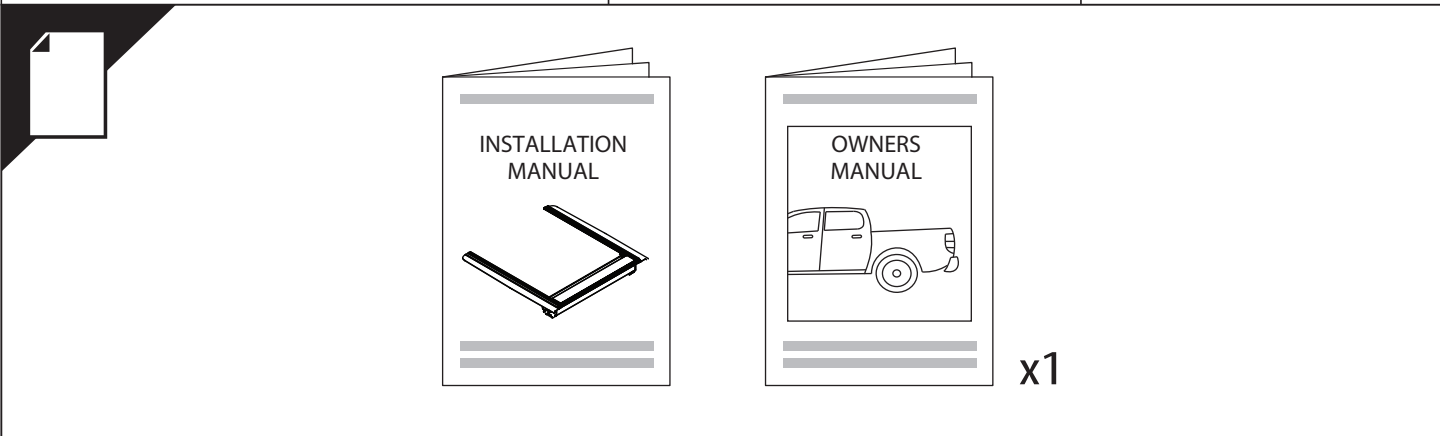
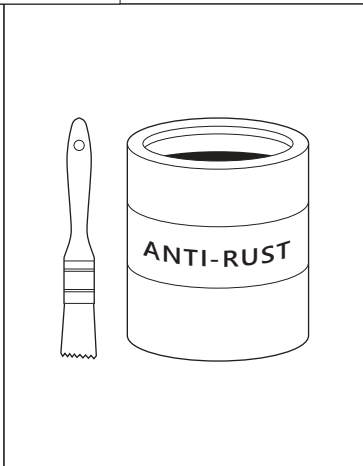
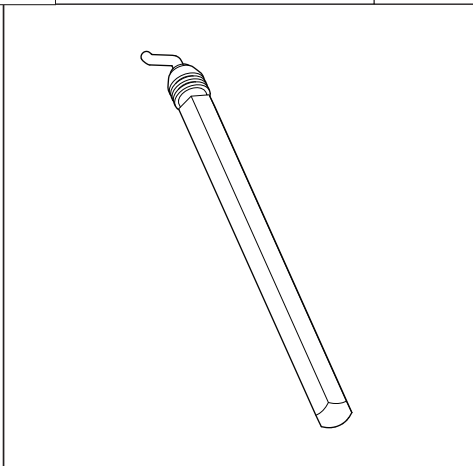
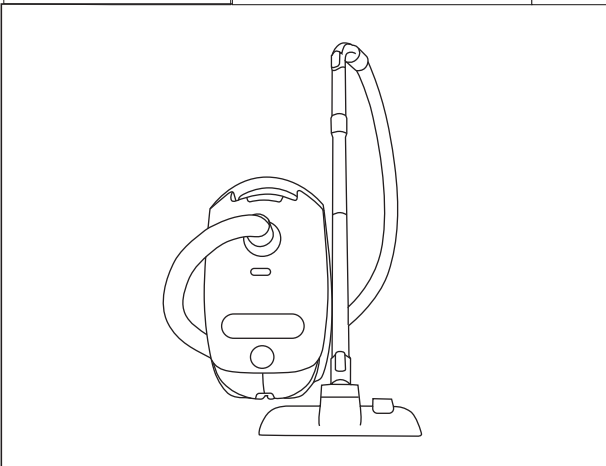
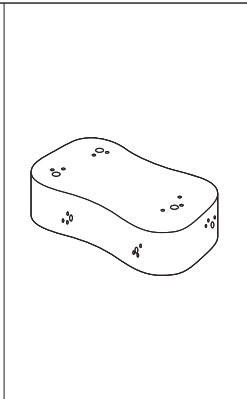
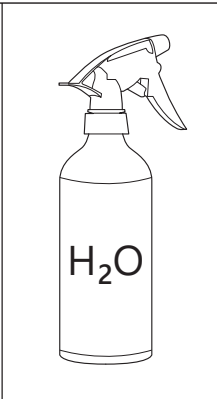
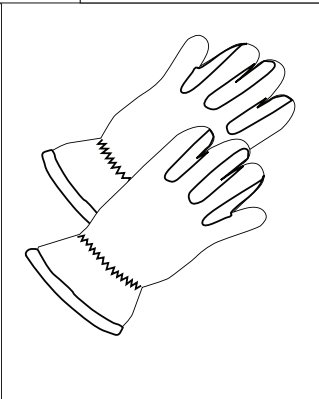
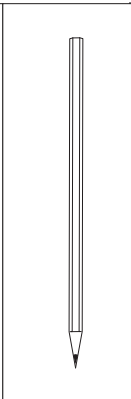
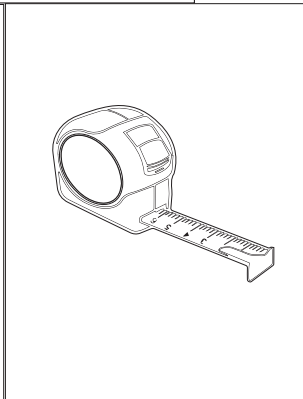
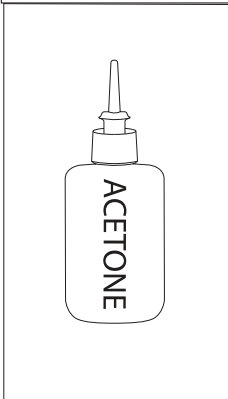
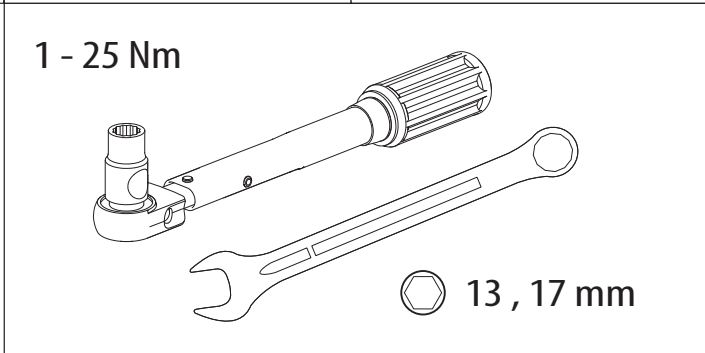
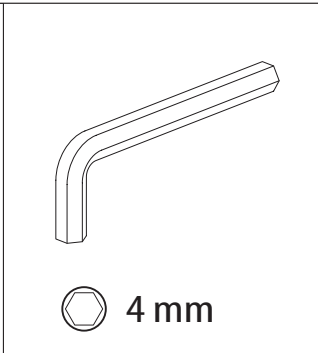
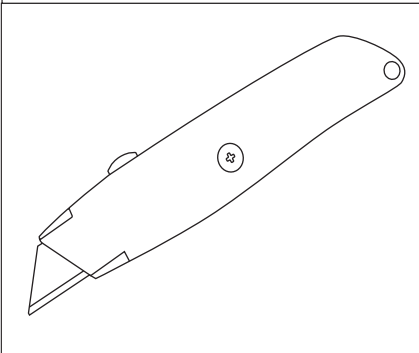
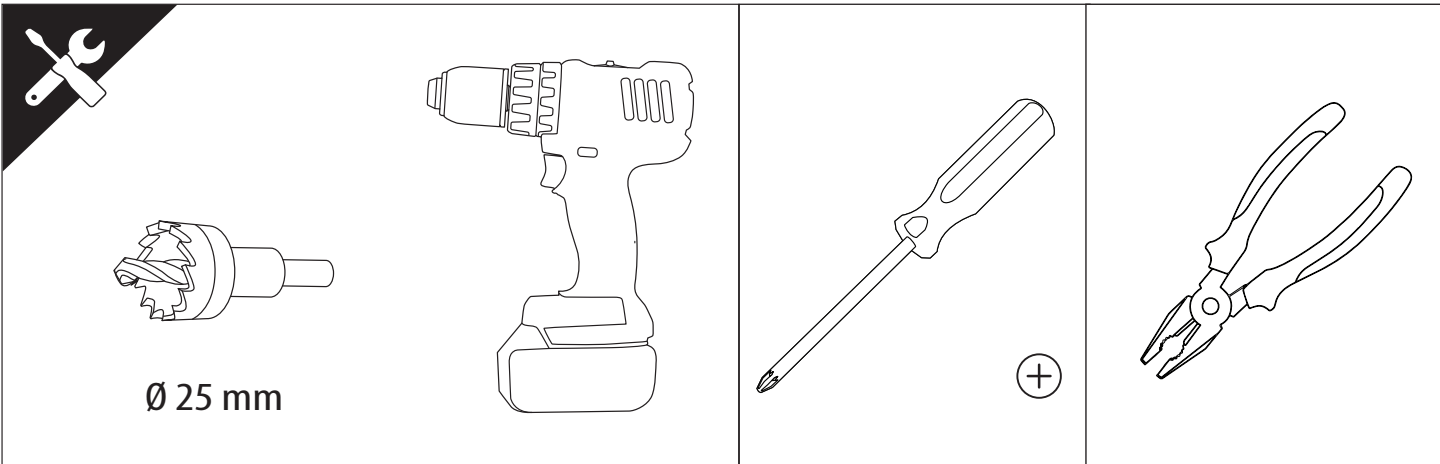


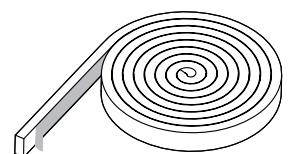
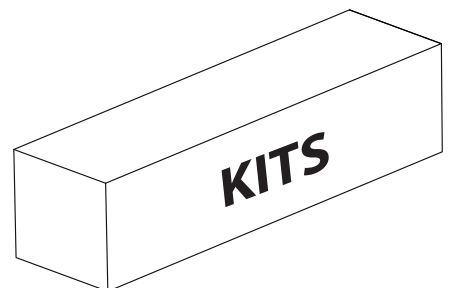
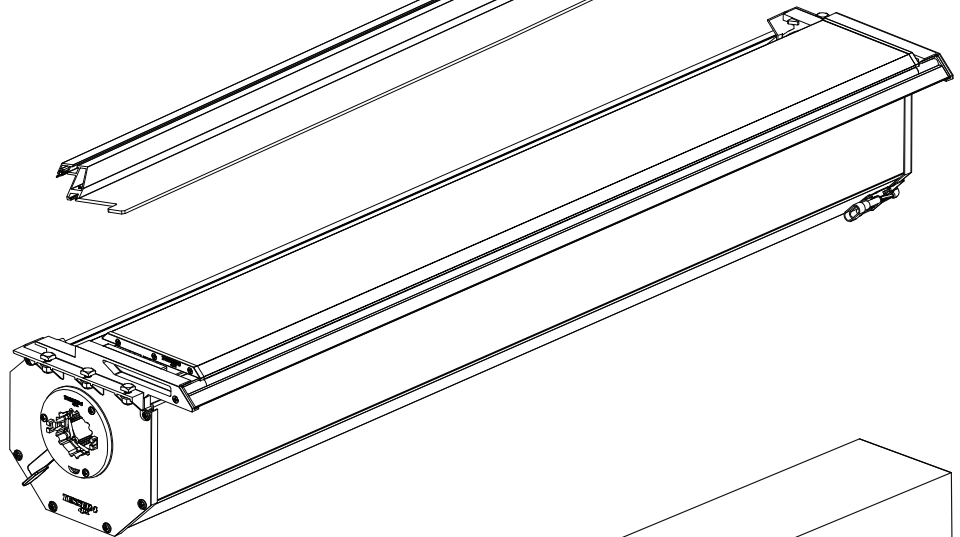
# Installation Manual

<b>PART NUMBER(S)</b>	<b>Model Year</b>
<b>TESS 1431 ROLL</b>	<b>Toyota Tundra 2014 -&gt;2021 &amp; 2022+ (with and without c-channels)</b>
<b>TESS 14311 ROLL</b>	
<b>Cab(s)</b>	<b>Installation Time / Weight</b>
<b>5.5 Feet &amp; 6.5 Feet</b>	<b>40-60 minutes / 53-57 kg</b>







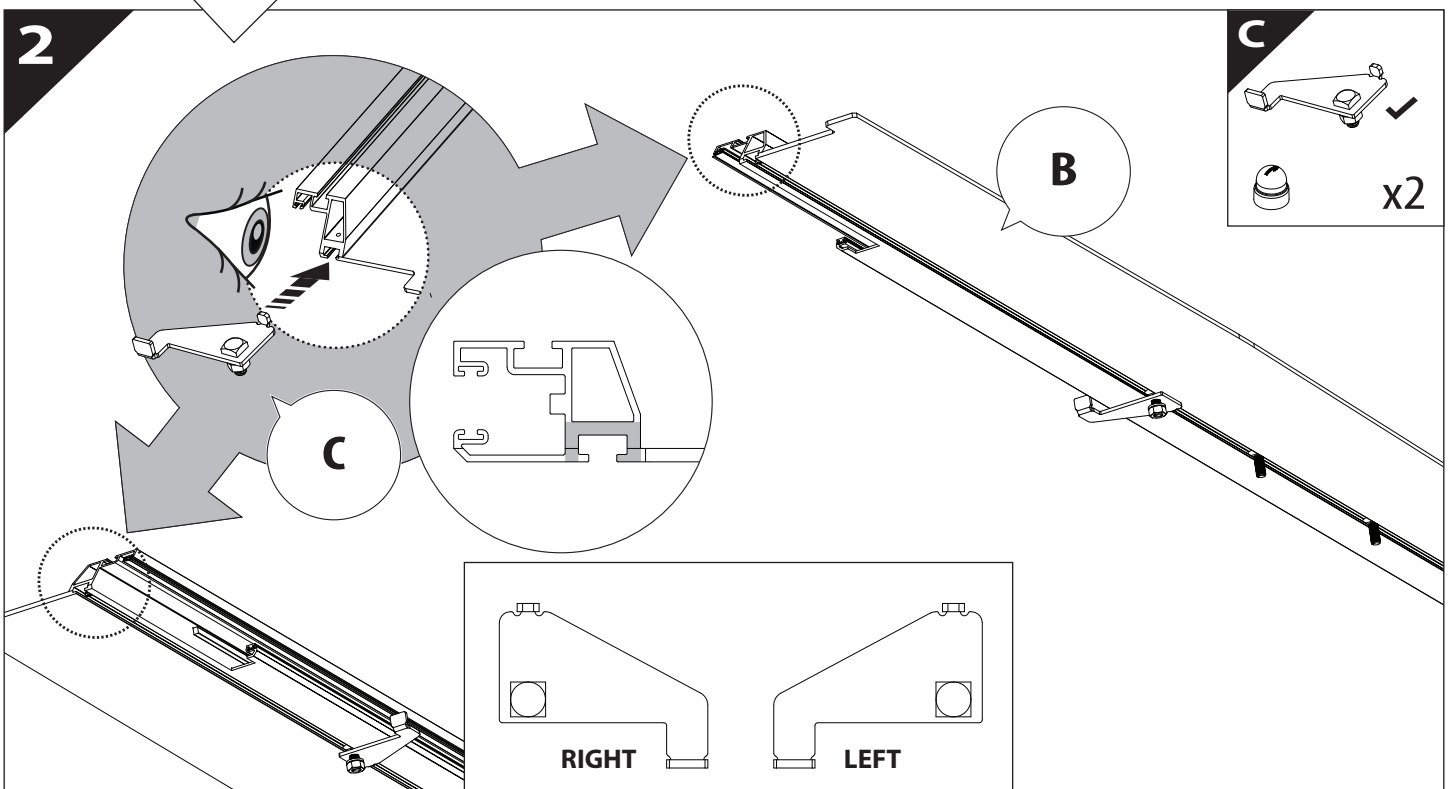
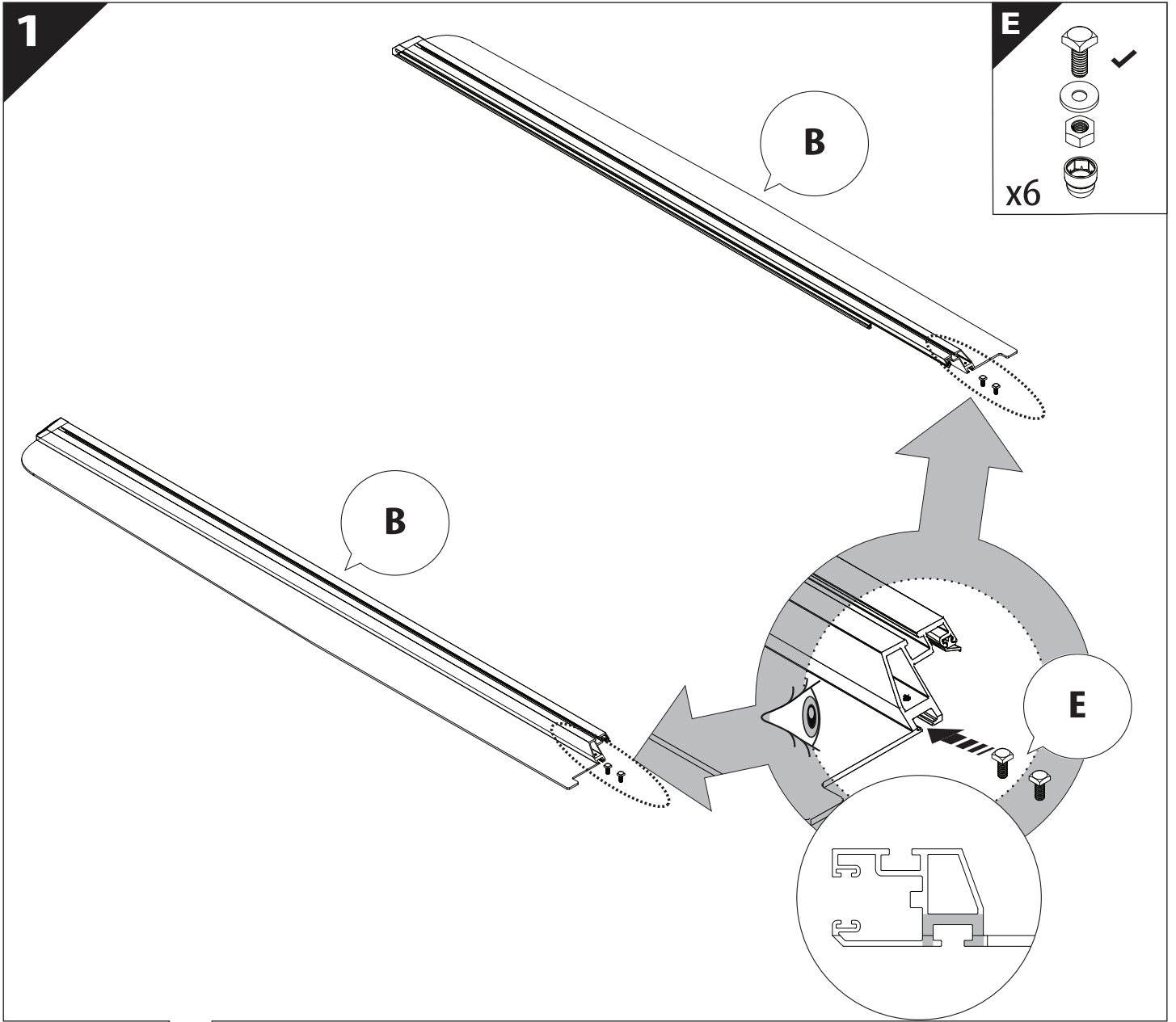


**B**

**A**

**KITS**

**L**

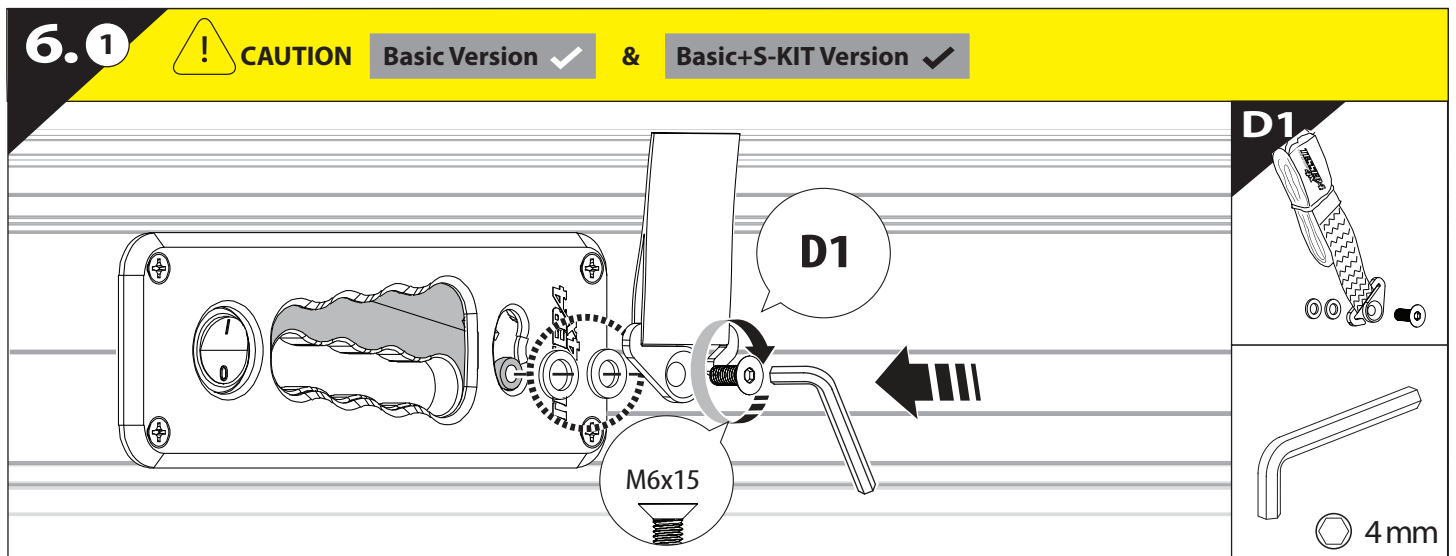
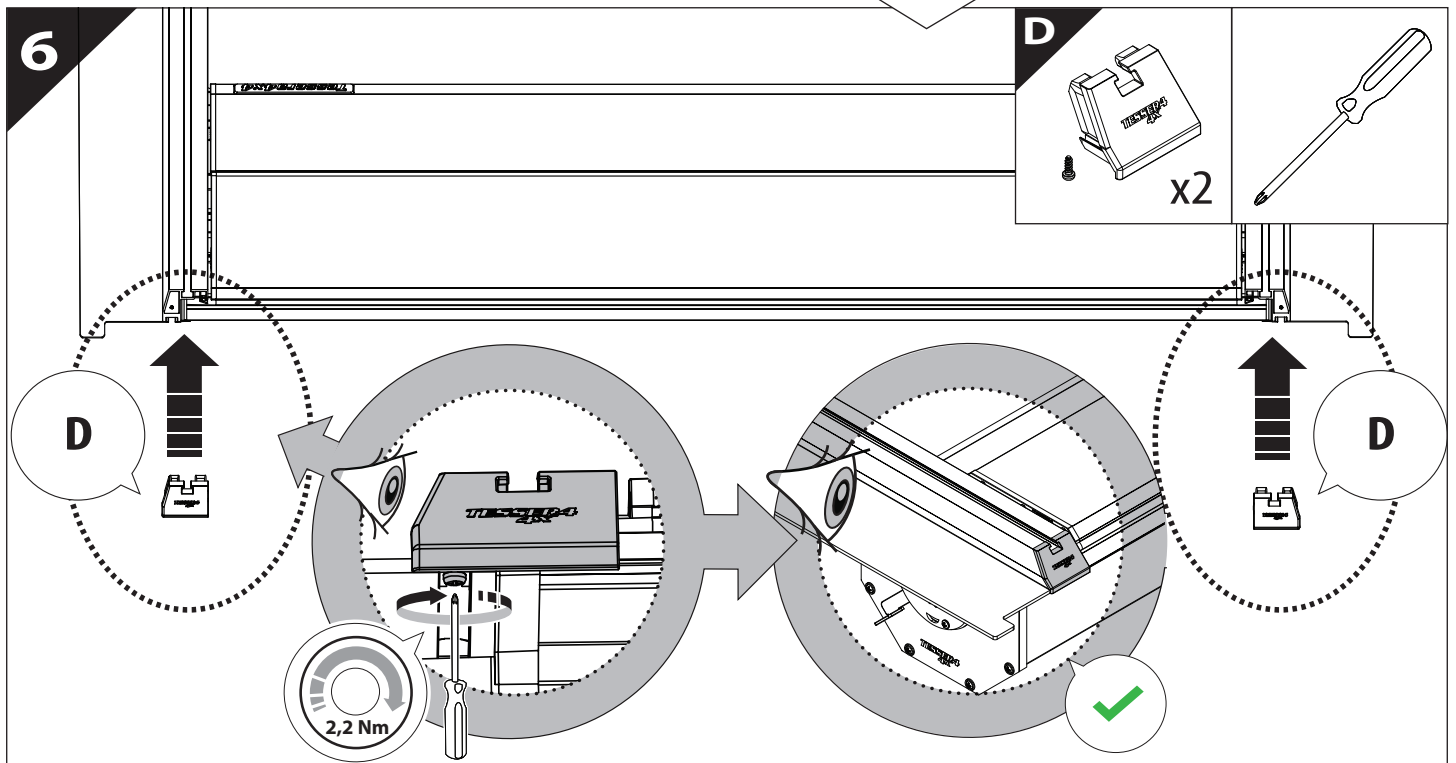
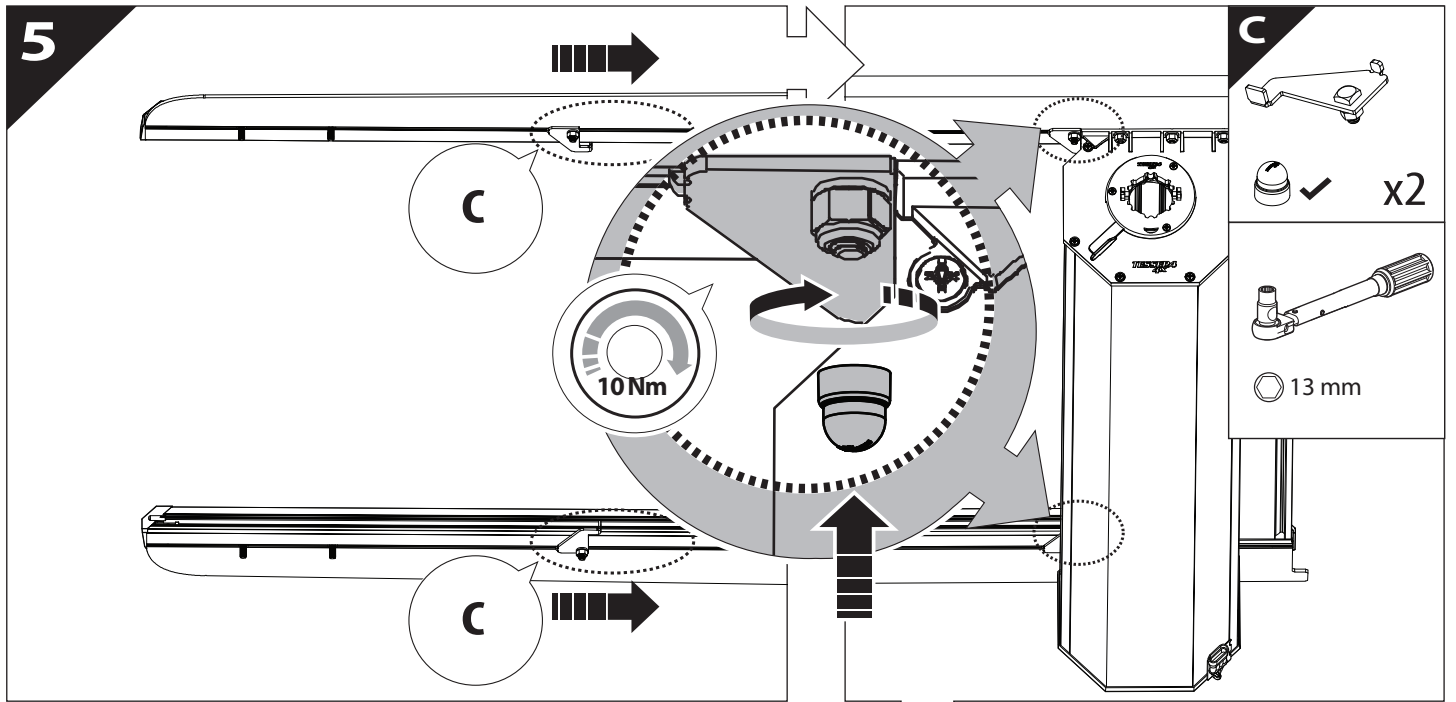


3

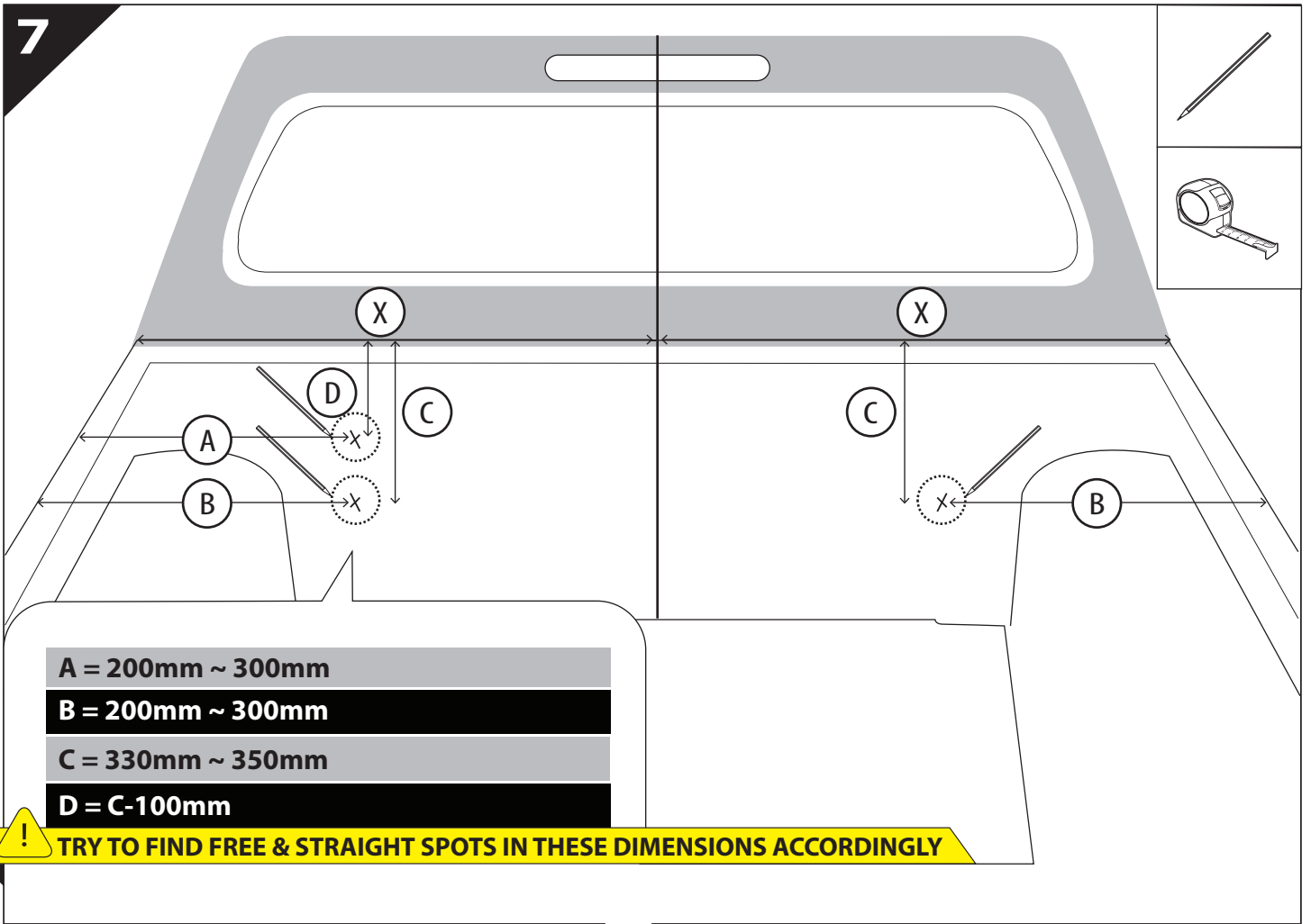


4

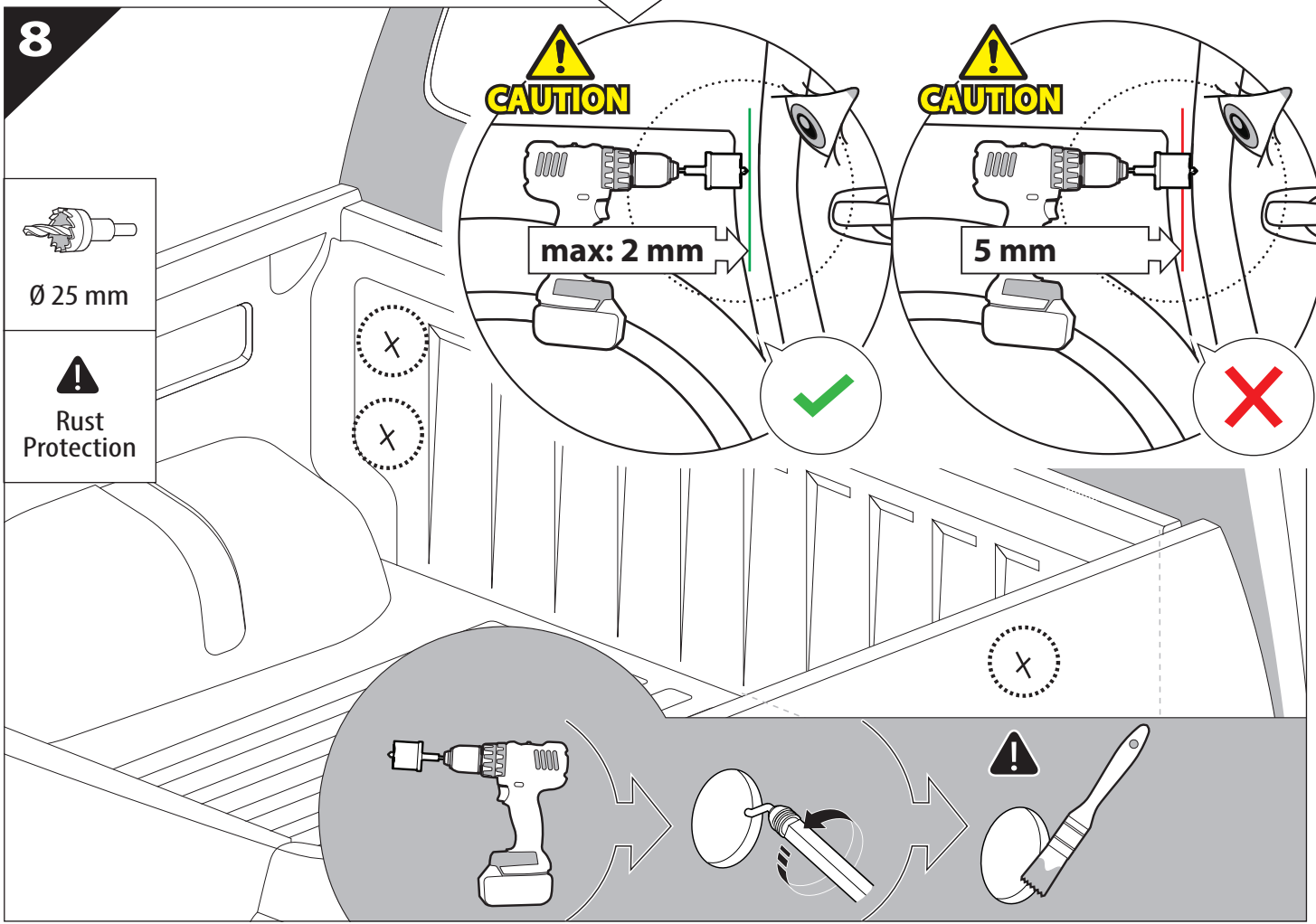




7

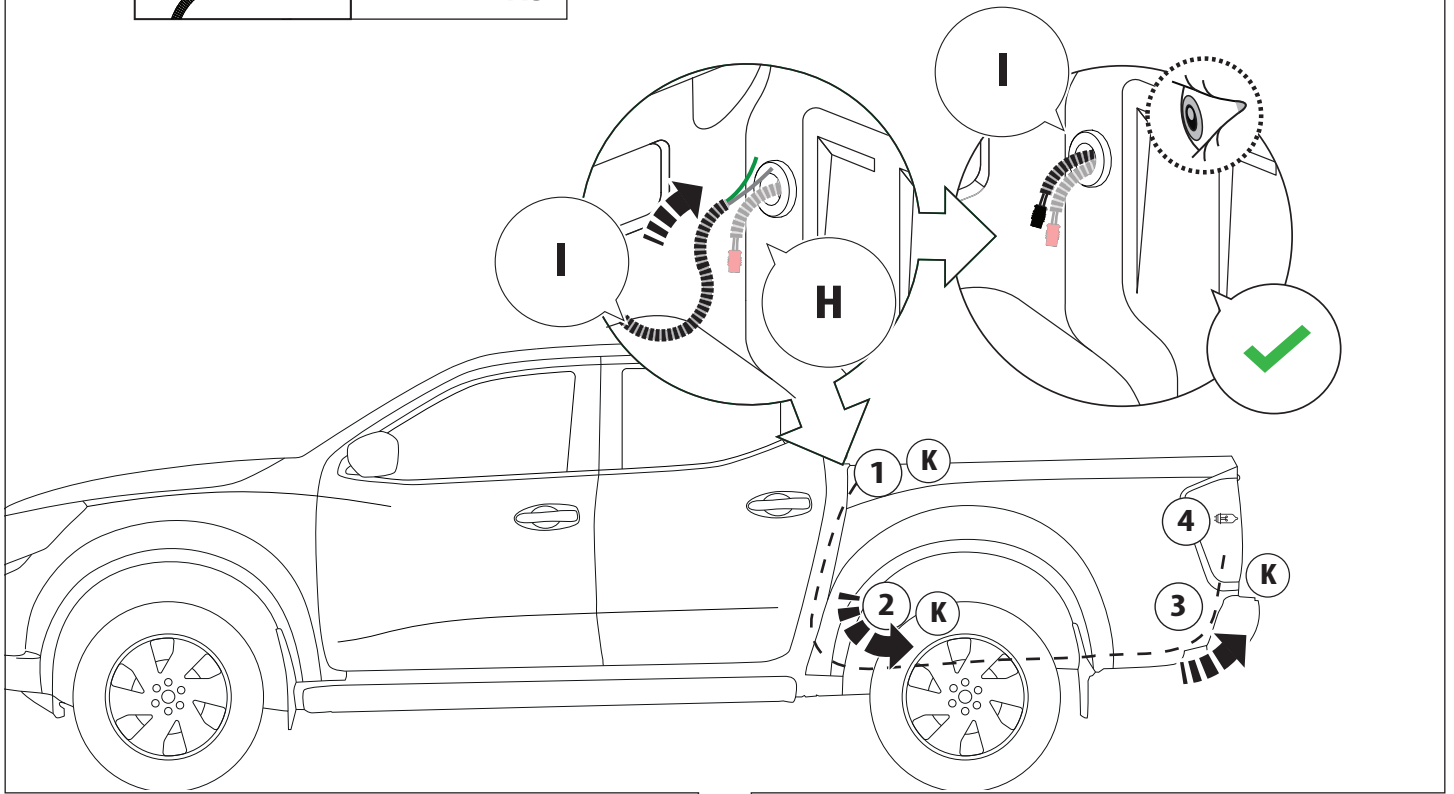
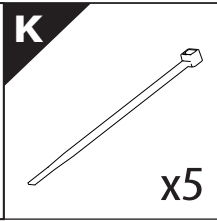
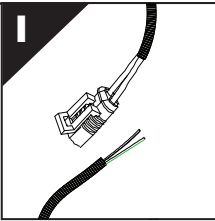


8

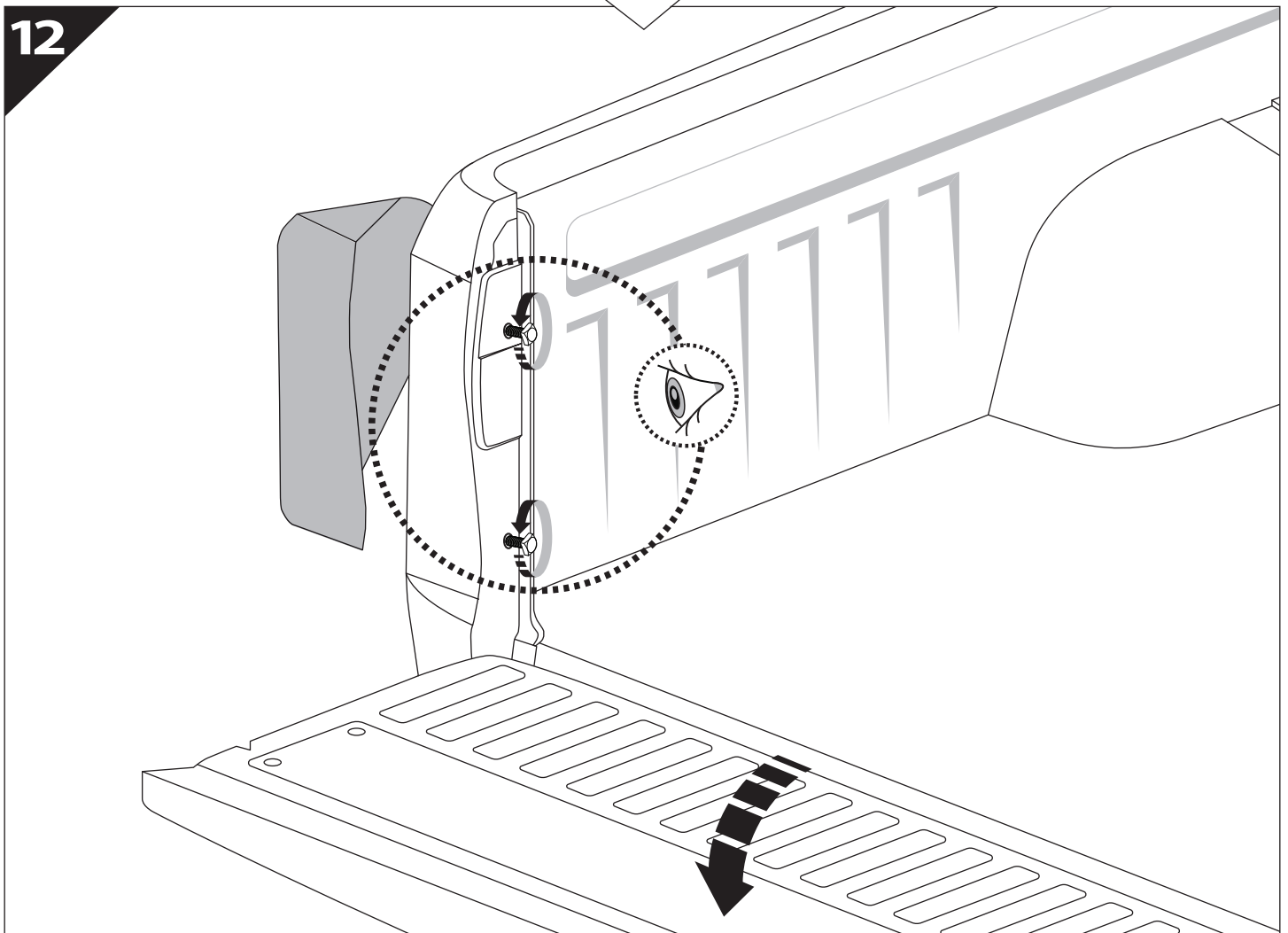




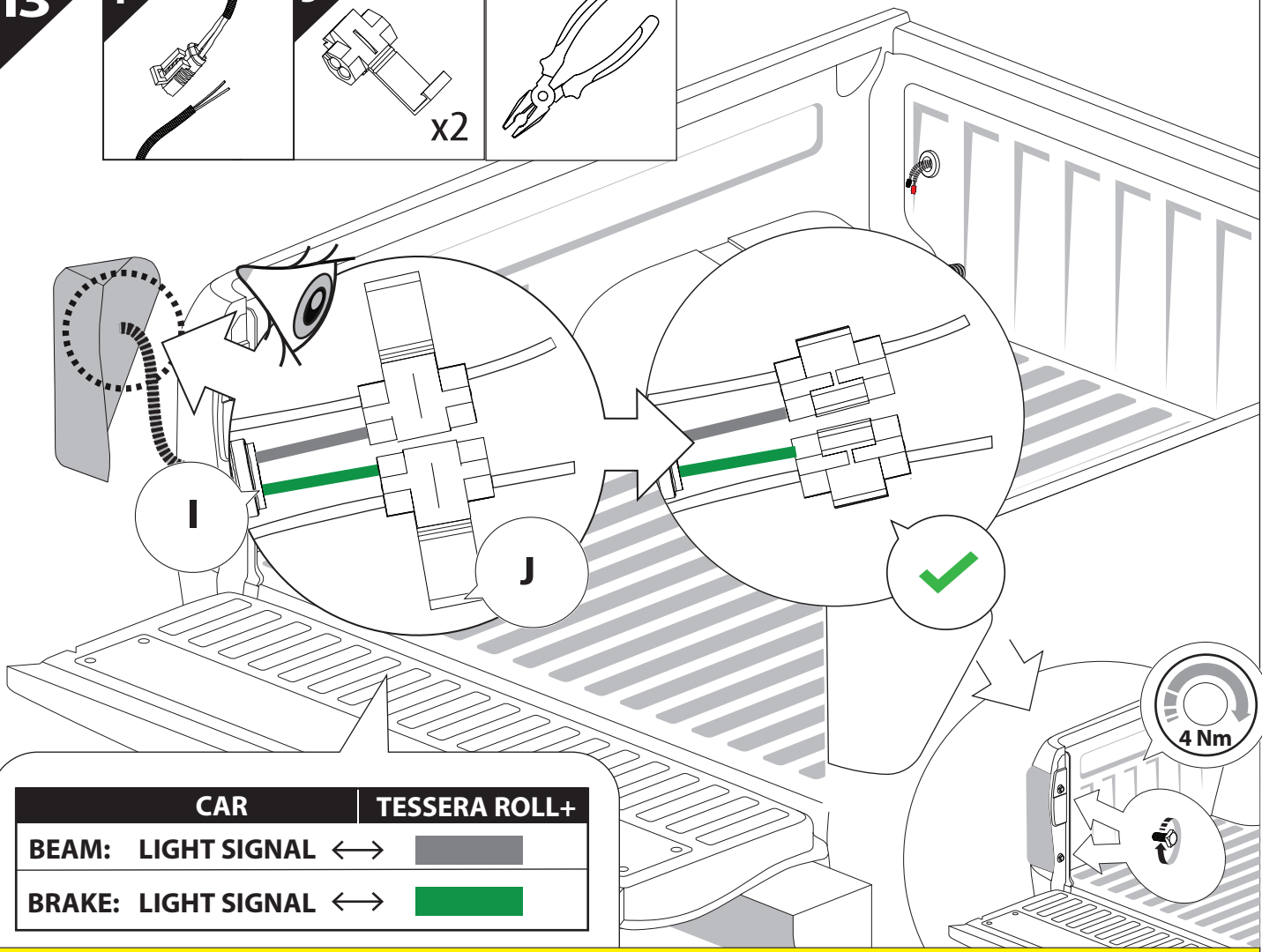
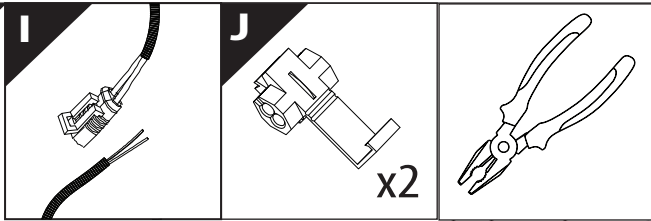
11



12



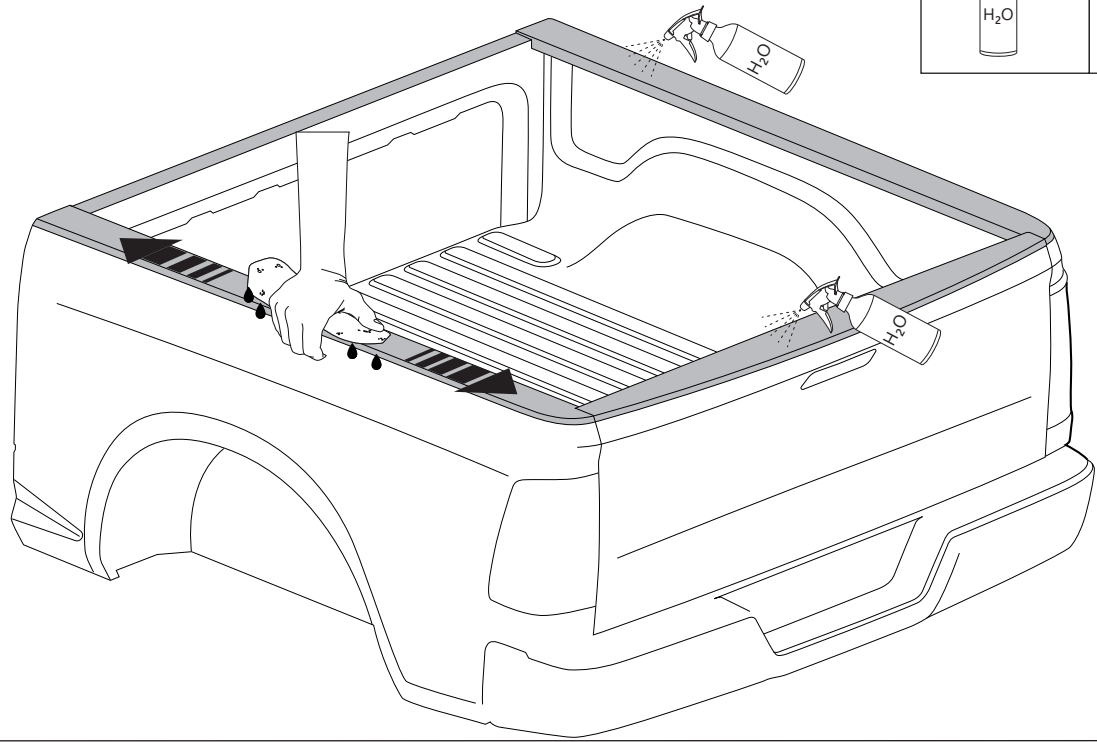
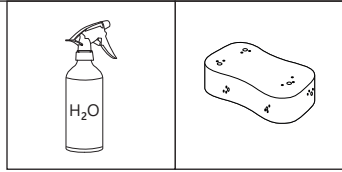
13

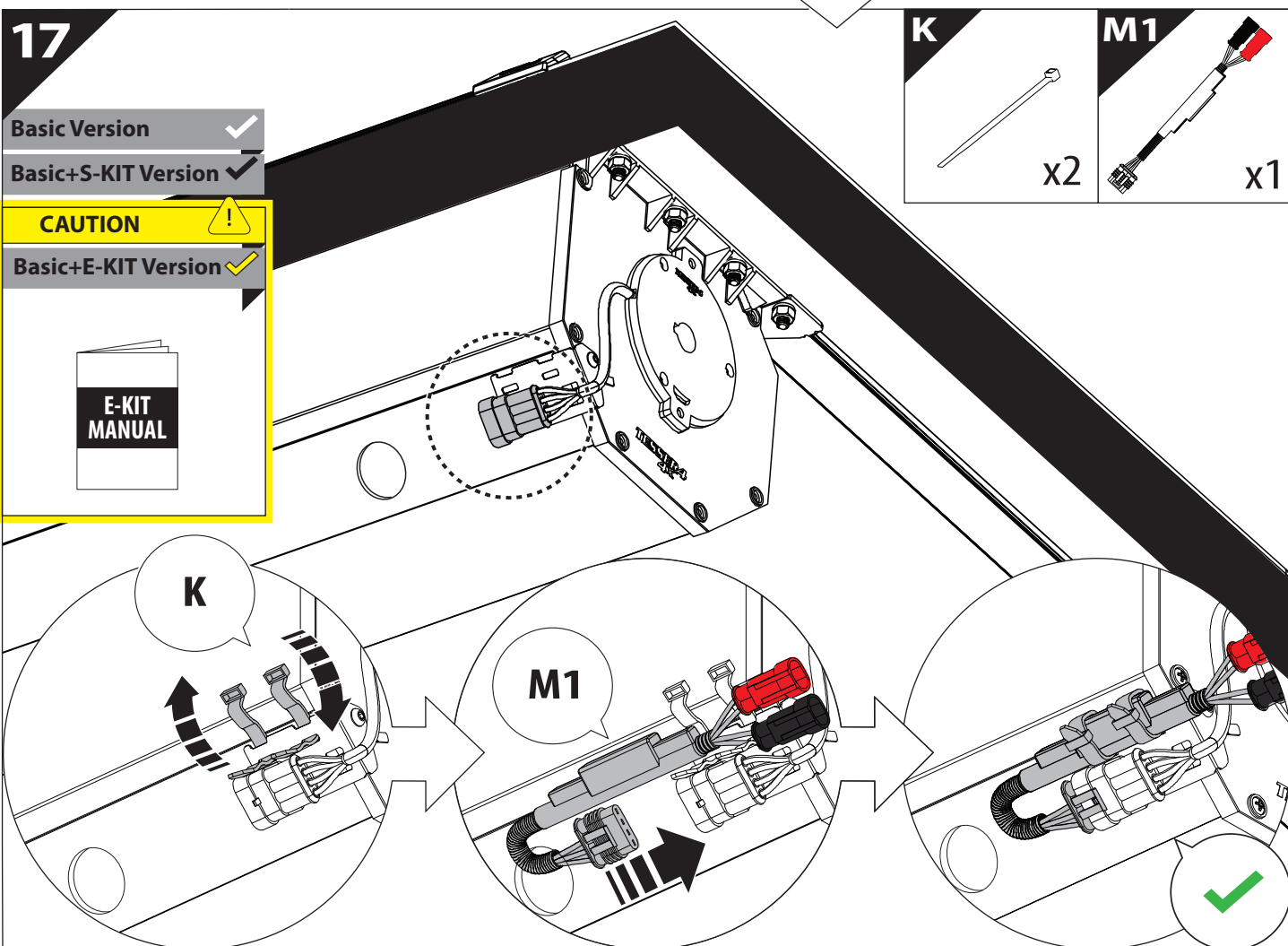
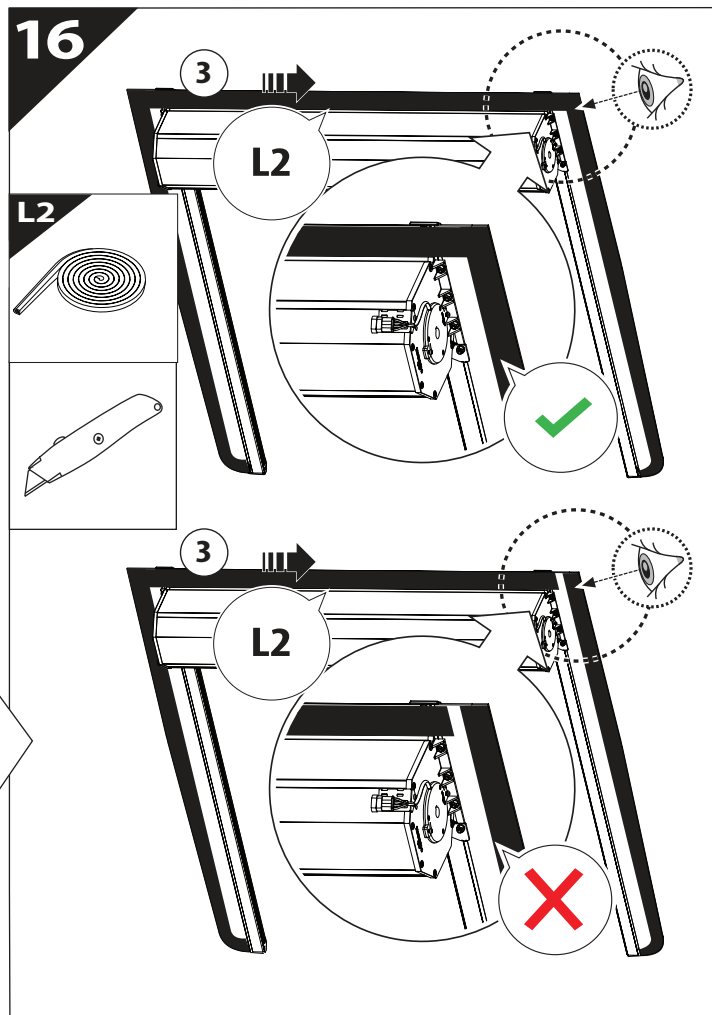
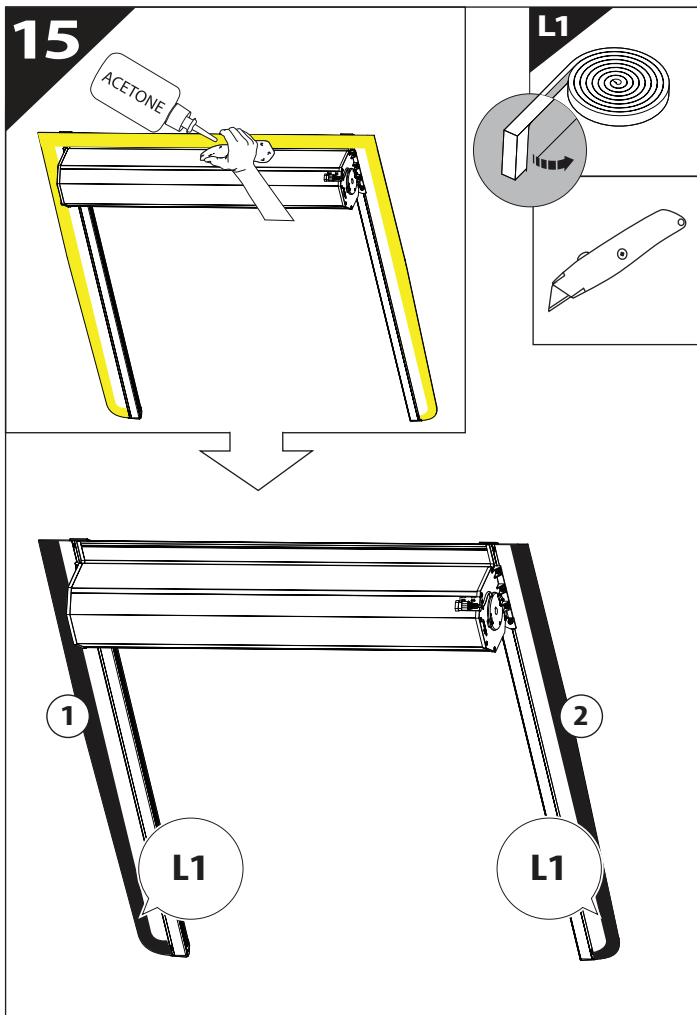


CAR	TESSERA ROLL+
BEAM: LIGHT SIGNAL ↔	
BRAKE: LIGHT SIGNAL ↔	

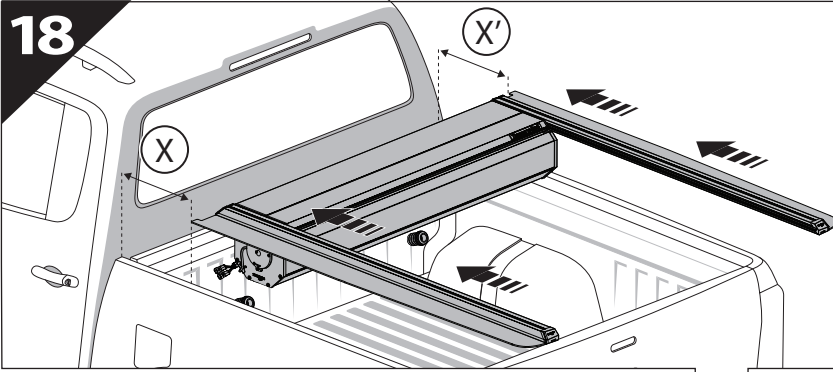
**CAUTION: CONSULT A CERTIFIED AUTO MECHANIC OR AUTOMOTIVE ELECTRICIAN TO IDENTIFY THE CORRECT WIRING CABLES FOR BEAM AND BRAKE SIGNALS BEFORE MAKING ANY CONNECTIONS.**

14

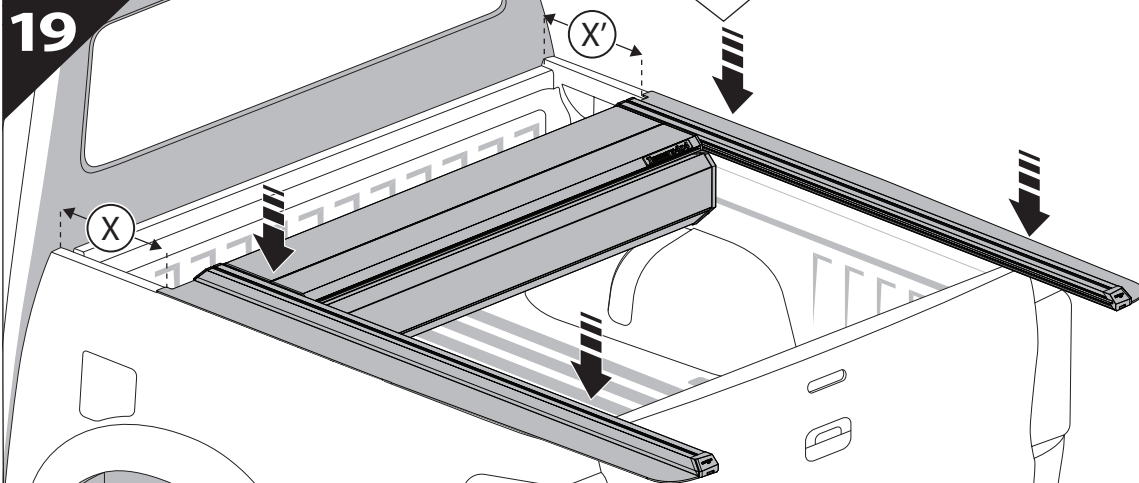




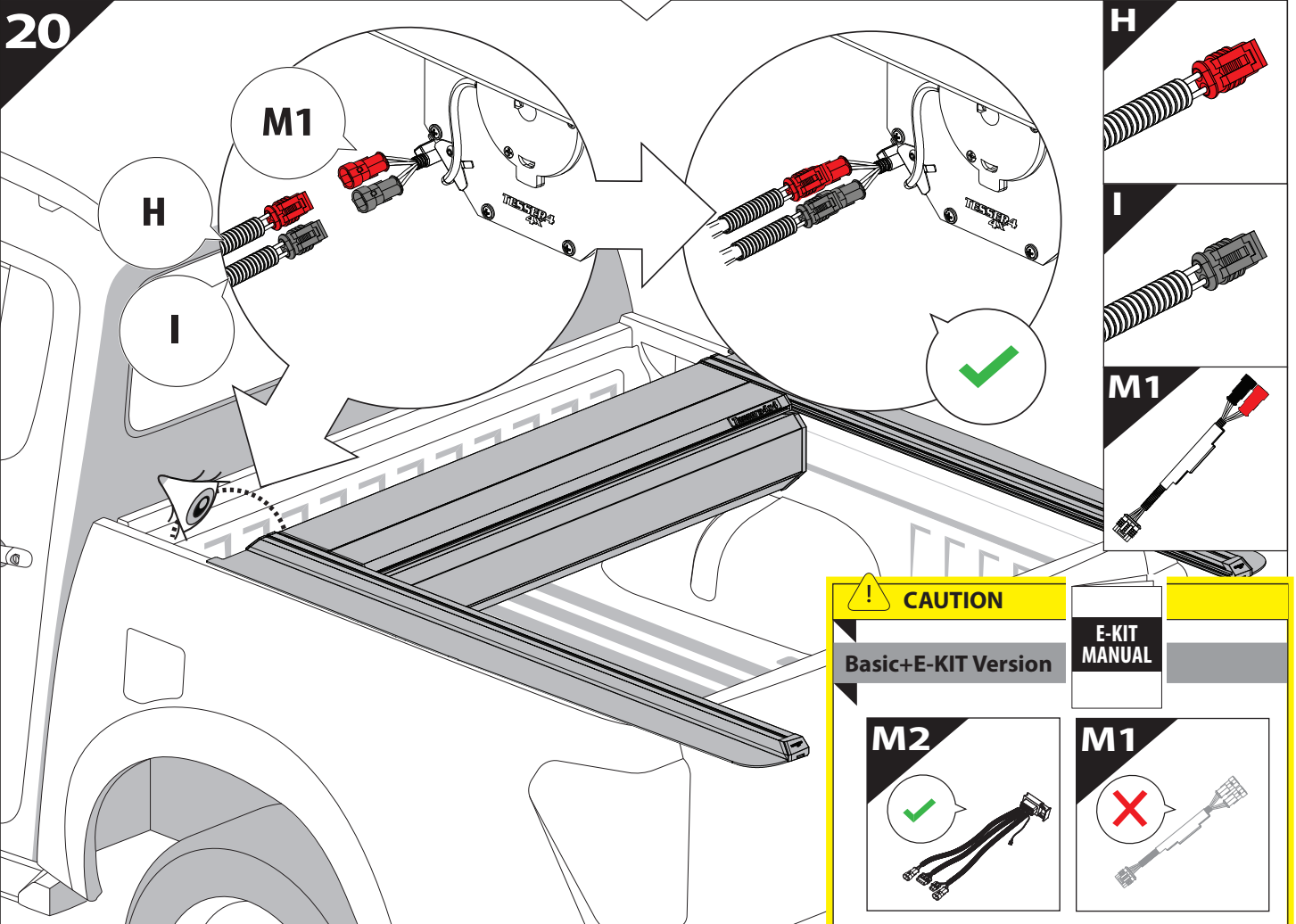
18



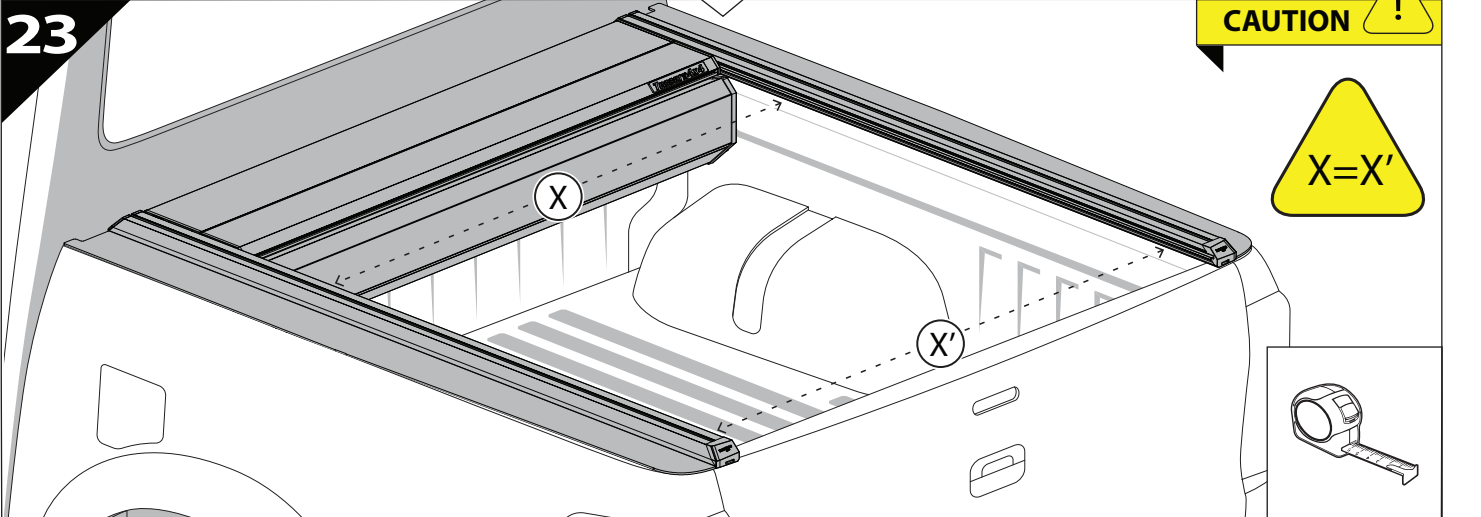
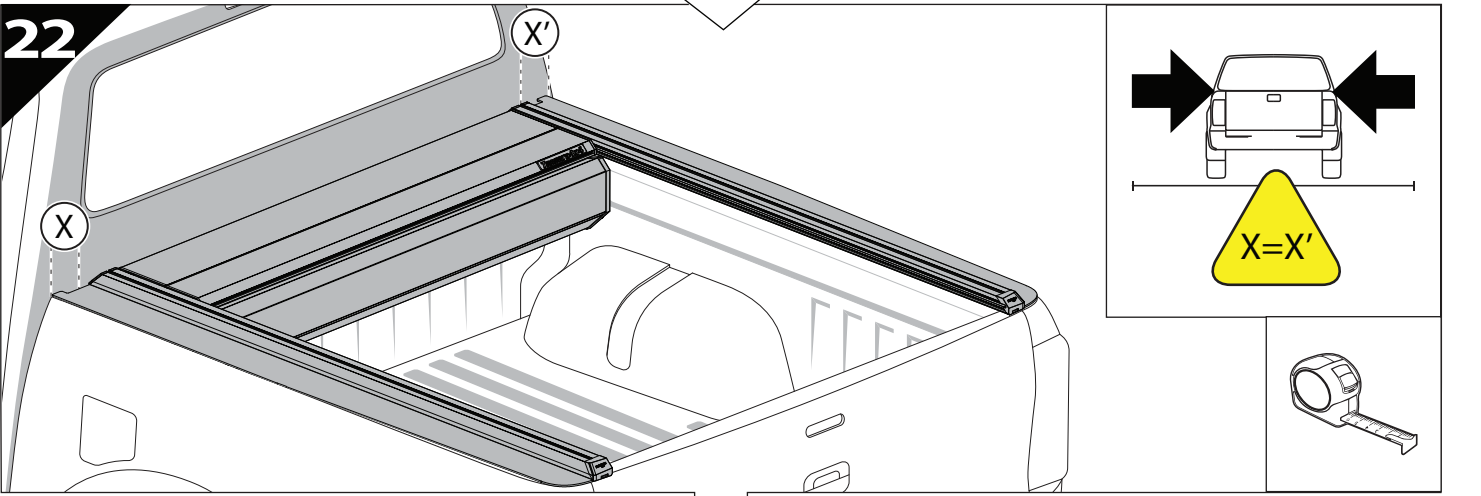
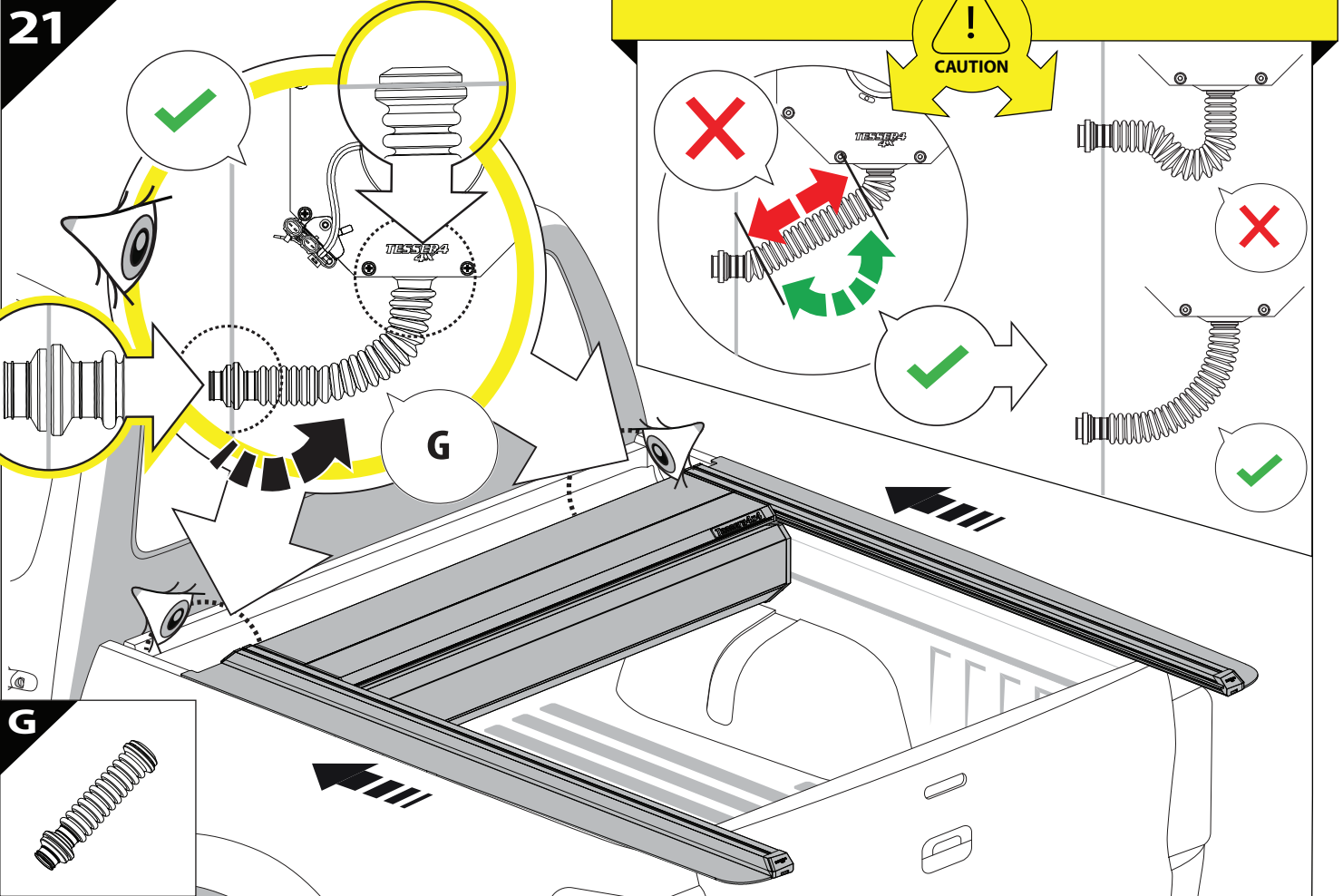
19

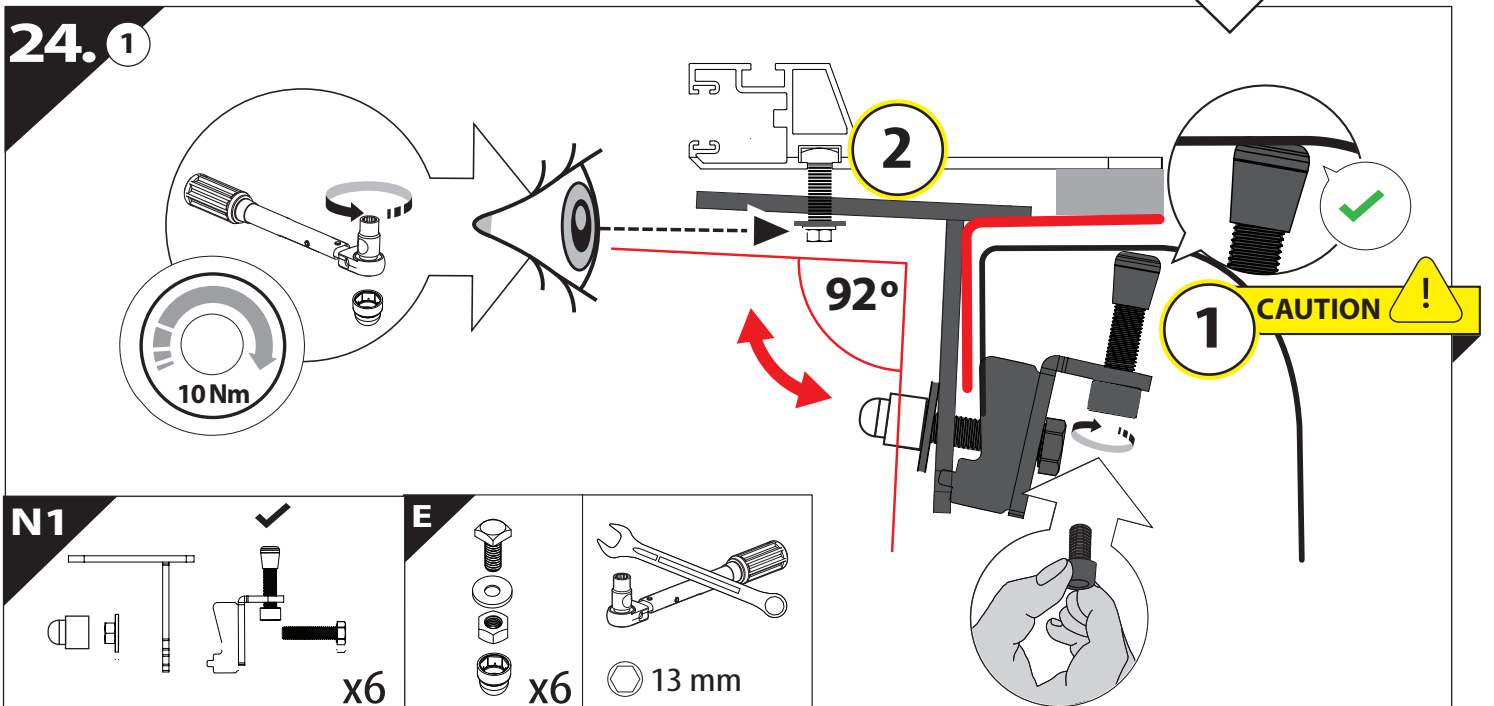
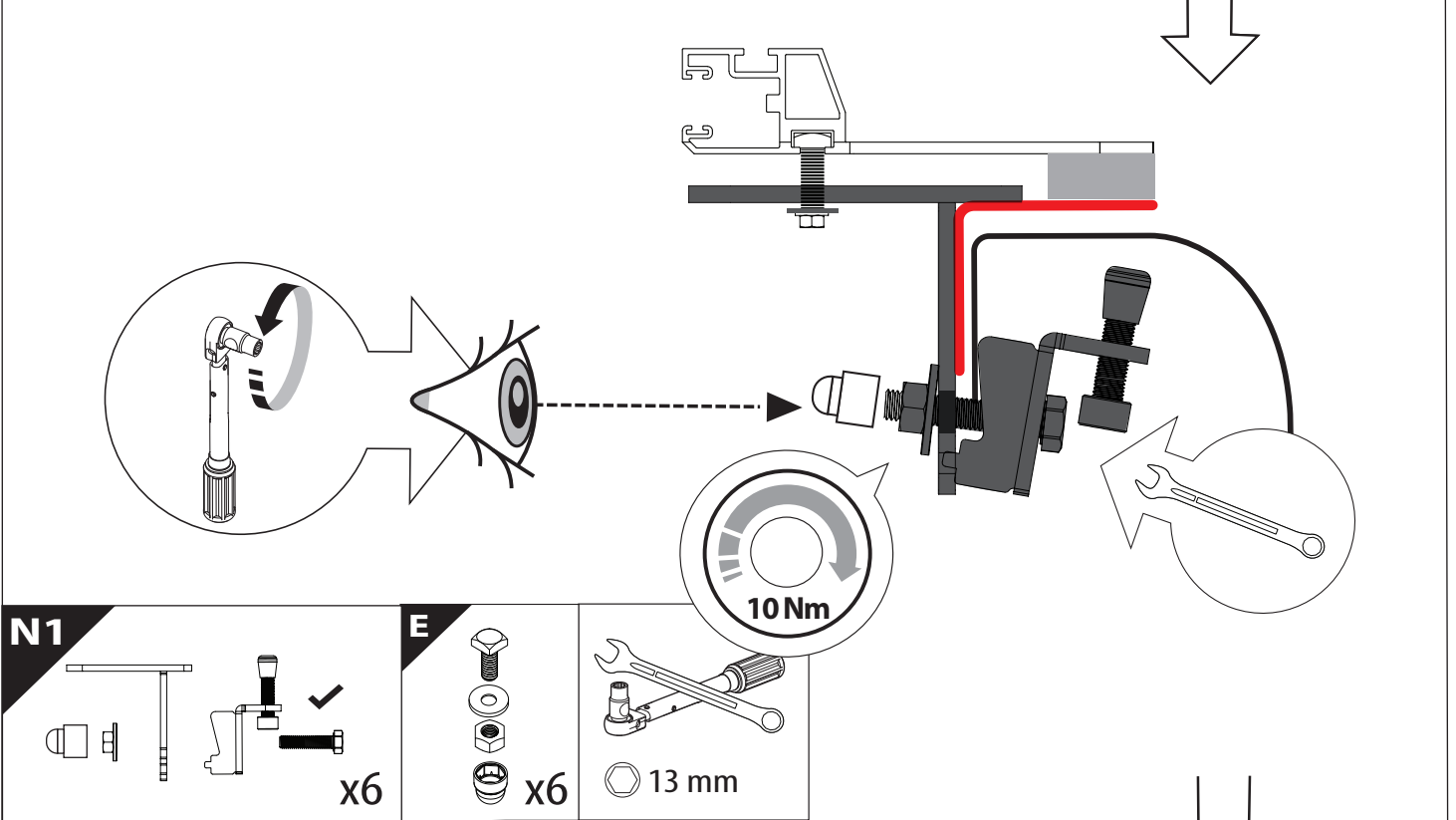
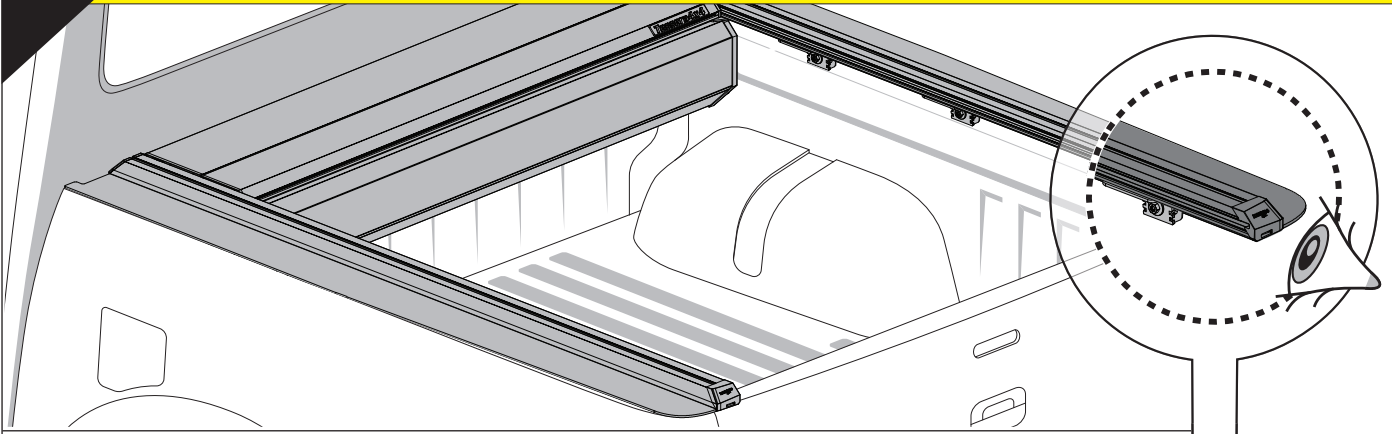


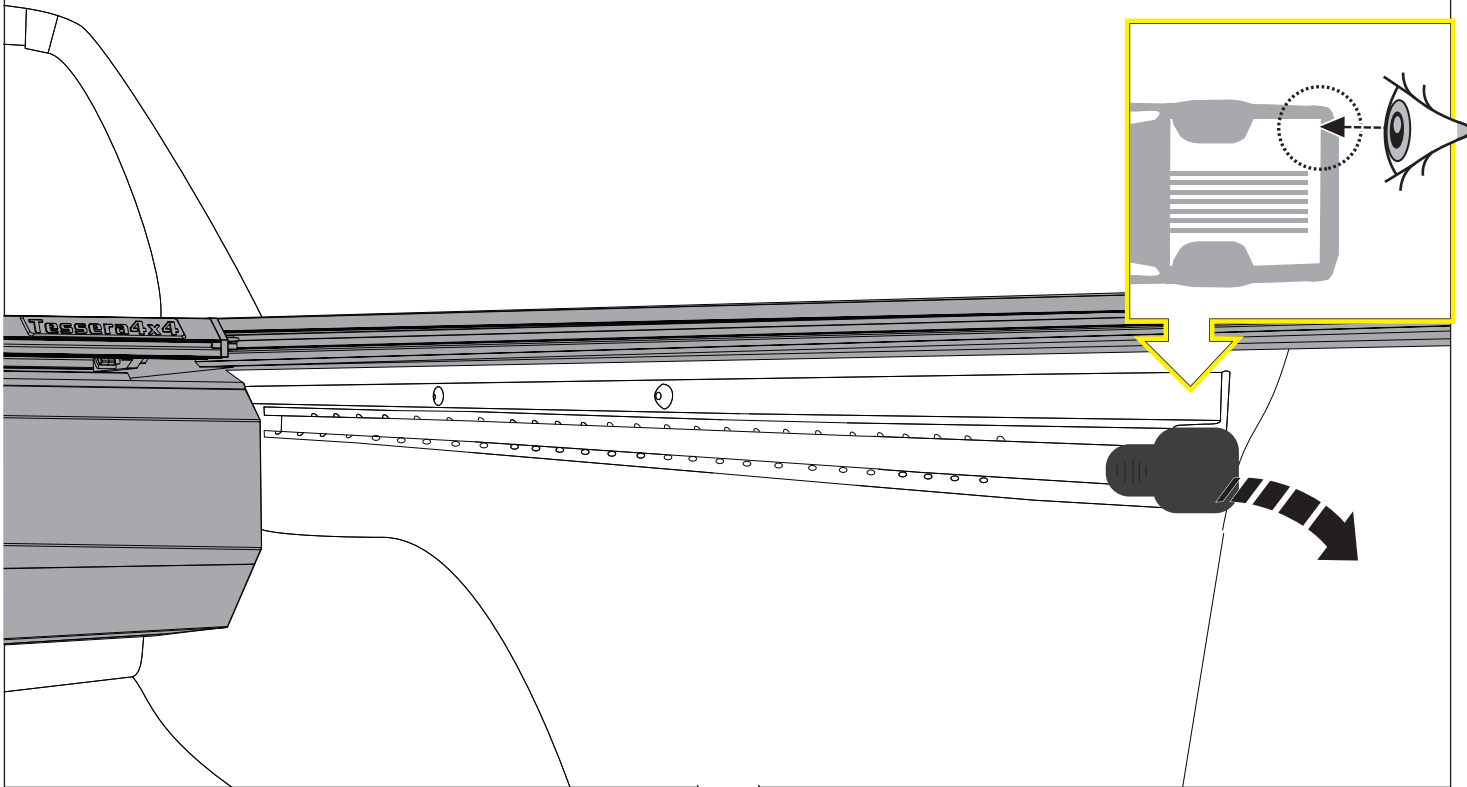
20



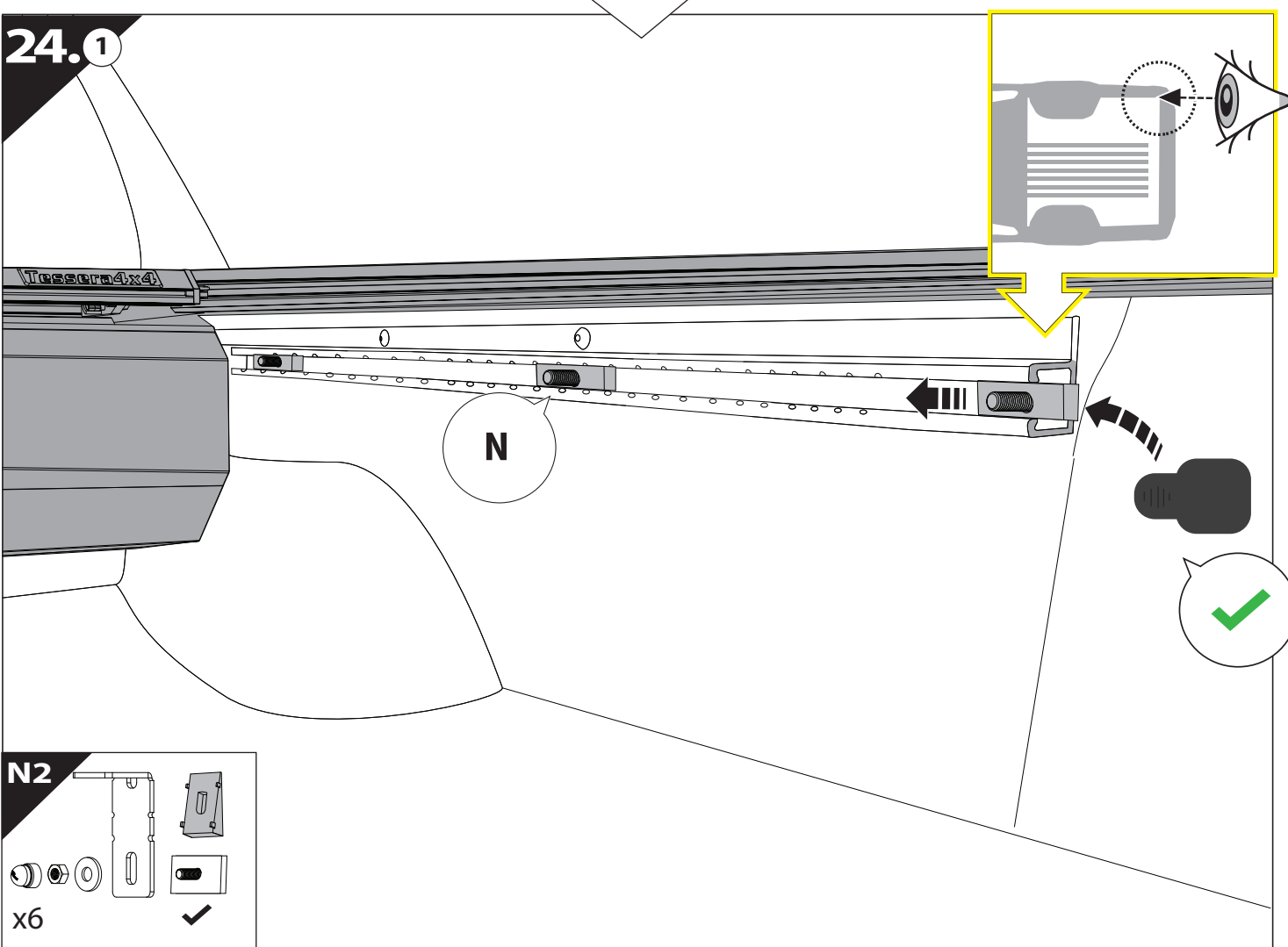
<b>CAUTION</b>	
Basic+E-KIT Version	
E-KIT MANUAL	
M2 ✓ 	M1 ✗ 







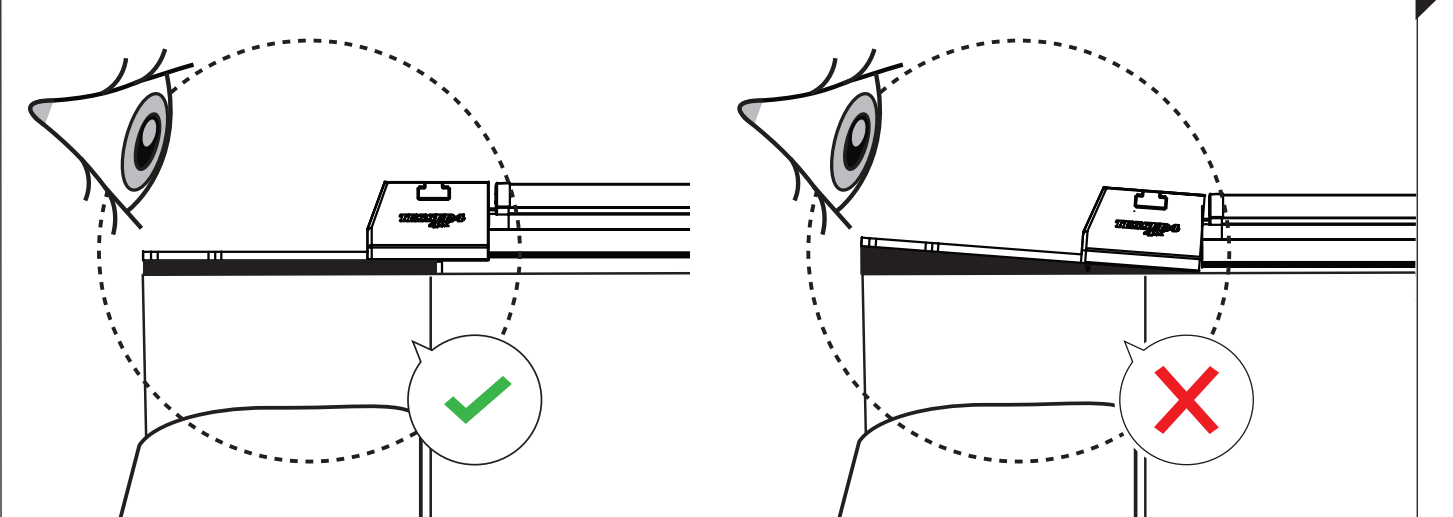
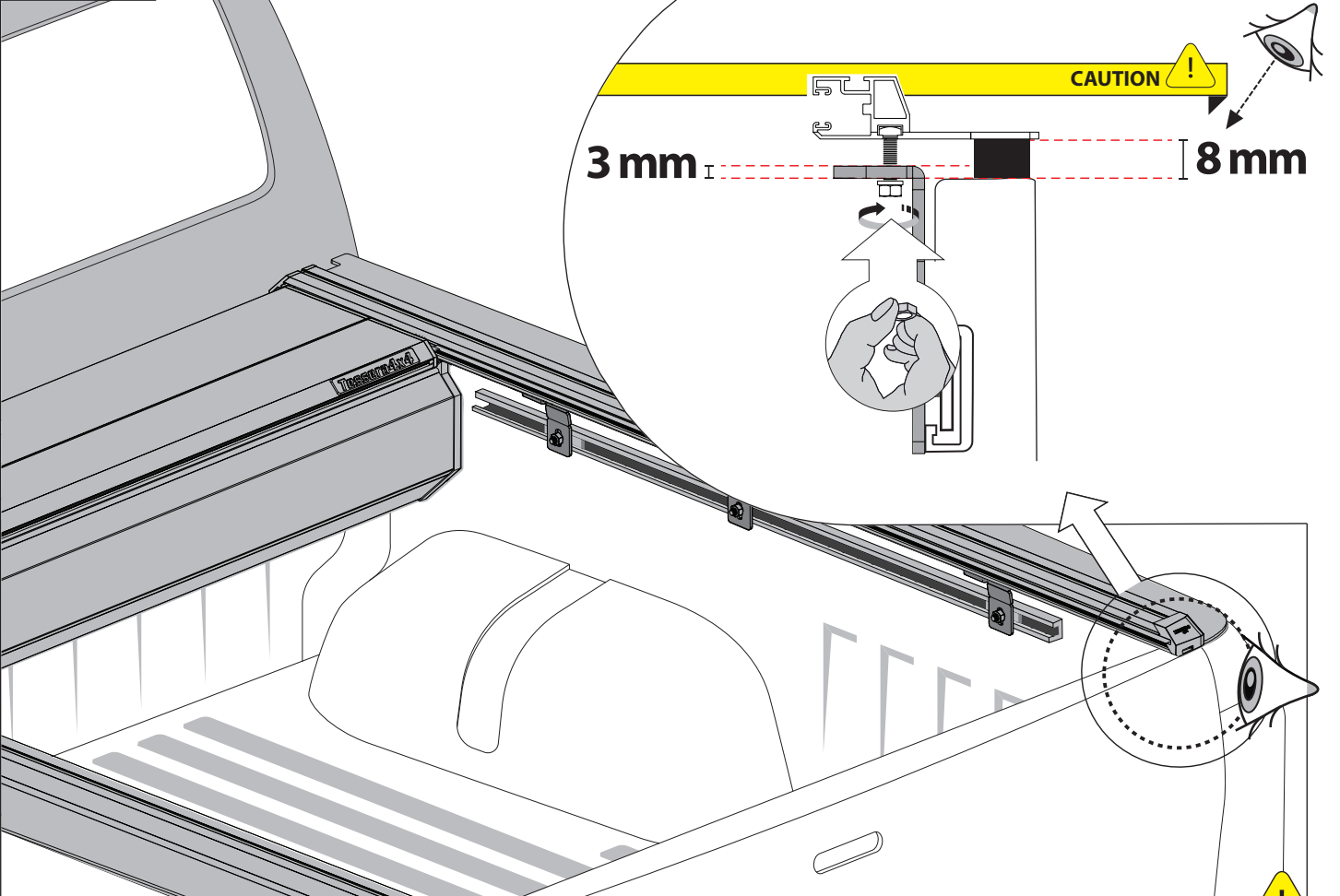
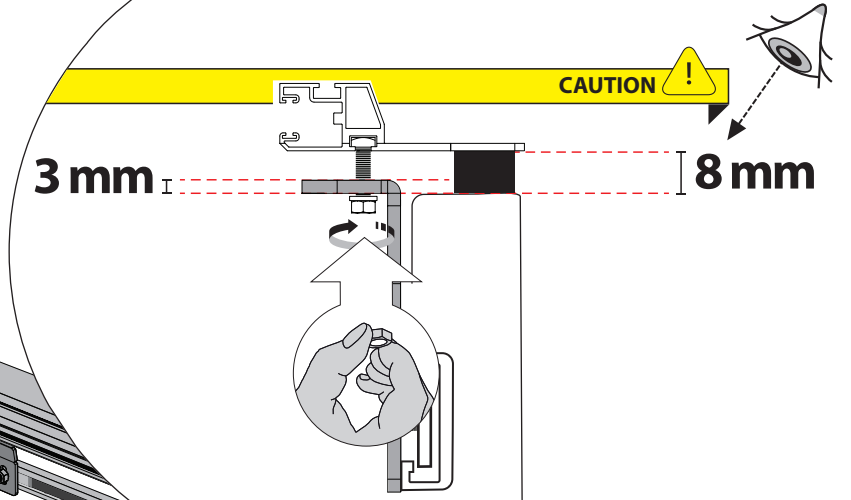
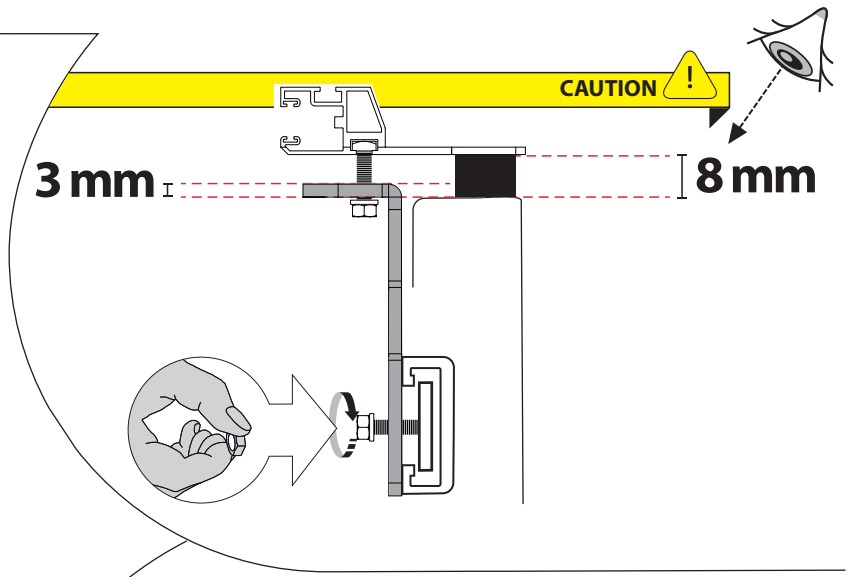
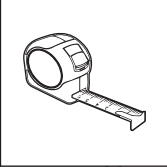
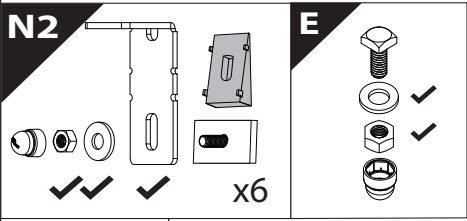
24.1



**N2**

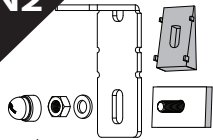
x6

# 24.2

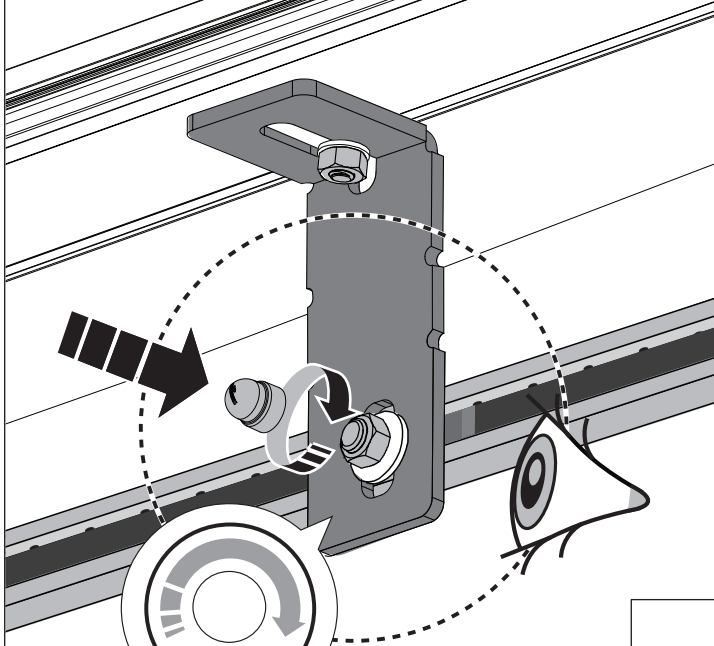


24.3

N2

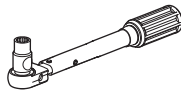


x6



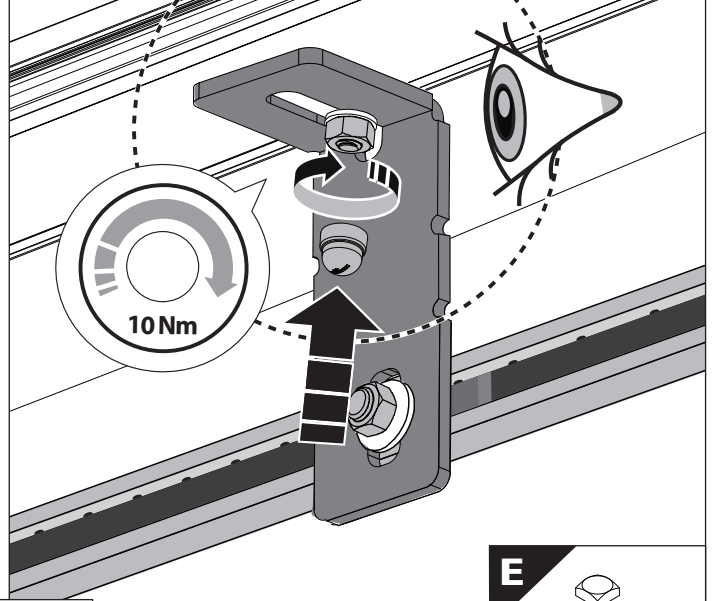
12 Nm

17 mm



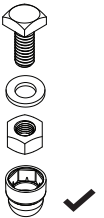
13 mm

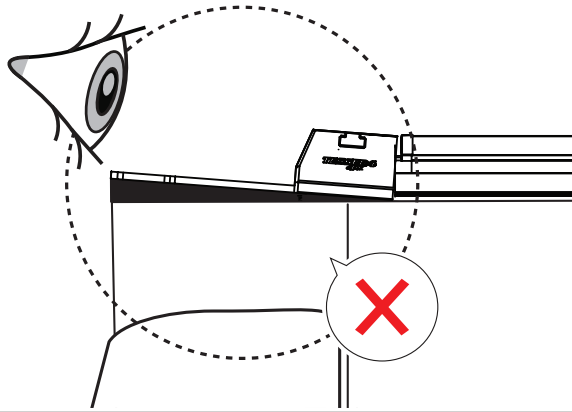
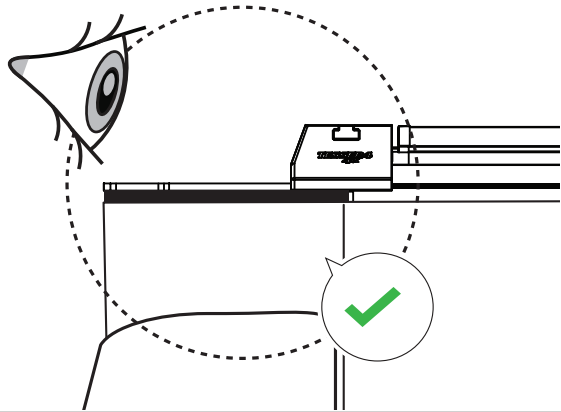
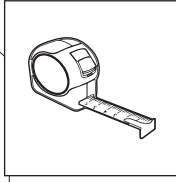
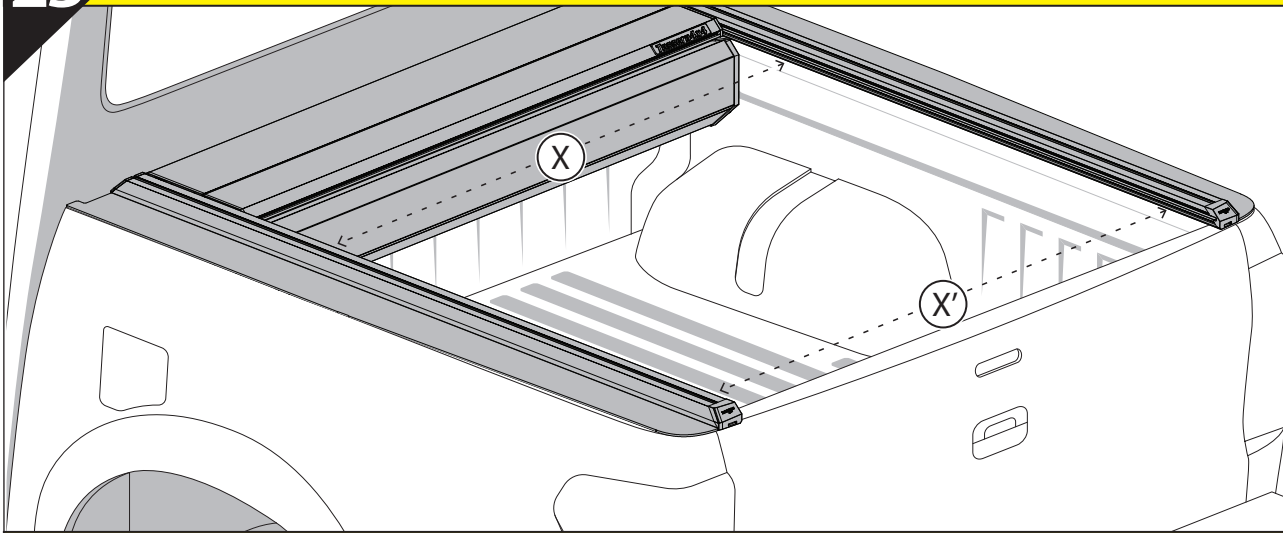
24.4



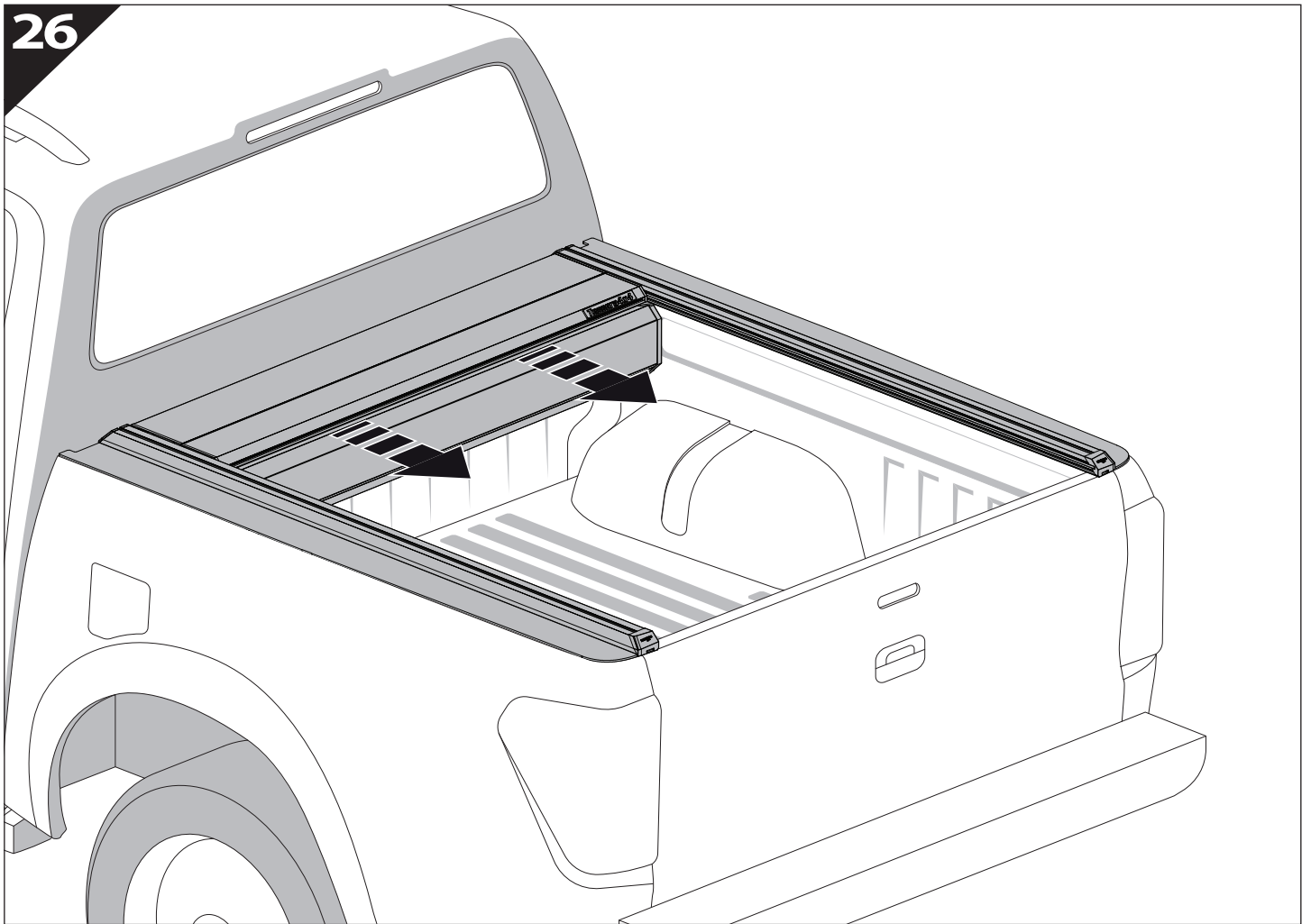
10 Nm

E

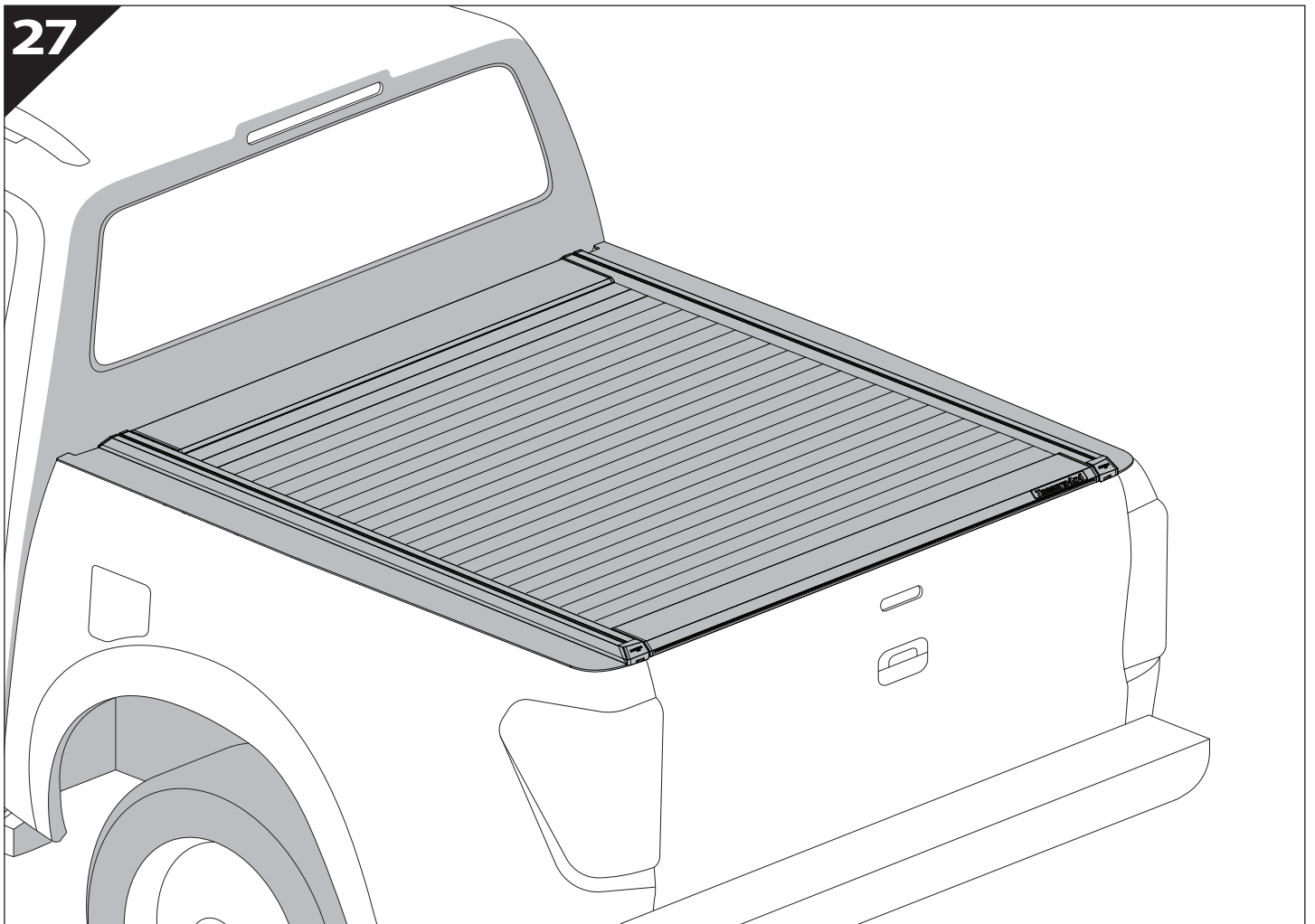




26



27









**GR:** Οδηγίες Εγκατάστασης  
**GB:** Installation manual  
**SF:** Asennusohje  
**F:** Notice de montage  
**PL:** Instrukcja montażu  
**NL:** Installatie-instructies  
**TR:** Montaj Talimatı  
**S:** Monteringsanvisning  
**E:** Instrucciones de montaje

**H:** Szerelési utasítás  
**P:** Instruções de instalação  
**RUS:** Инструкция по установке  
**N:** Monteringsveiledning  
**D:** Einbauanleitung  
**CZ:** Návod k instalaci  
**I:** Istruzioni di montaggio  
**DK:** Monteringsvejledning  
**RO:** Instructiuni de instalare

Customer Service:

+30 (210) 5541161, +30 (210) 5541154 (08:00 - 16:00 EET)

Support department:

[info@gianso.gr](mailto:info@gianso.gr)

Website:

[www.tessera4x4.com](http://www.tessera4x4.com)

Address:

19.5 km of National road Athens-Korinthos (Elefsina) Greece, P.C: 19200