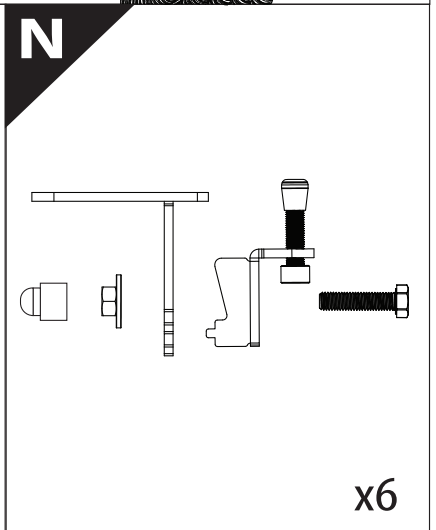
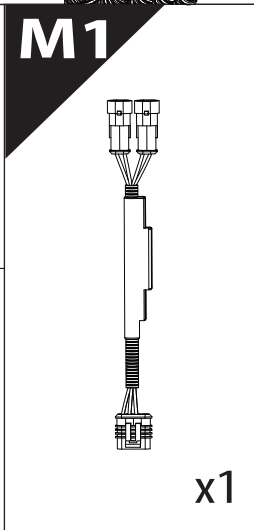
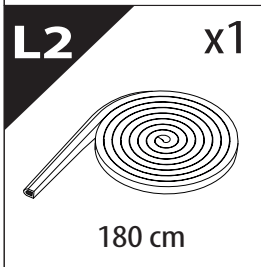
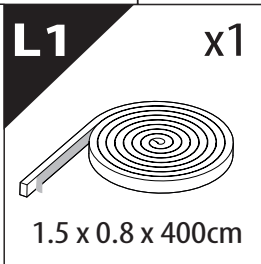
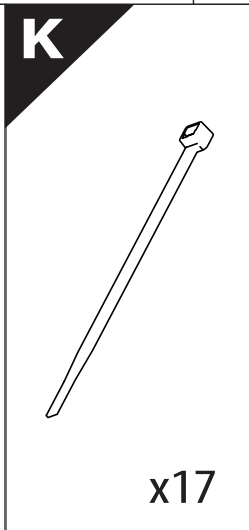
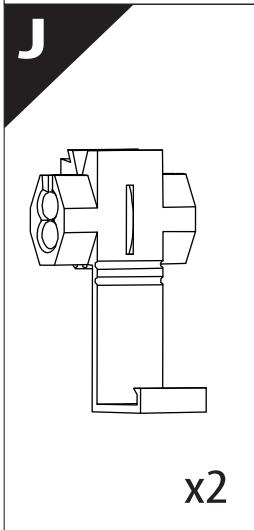
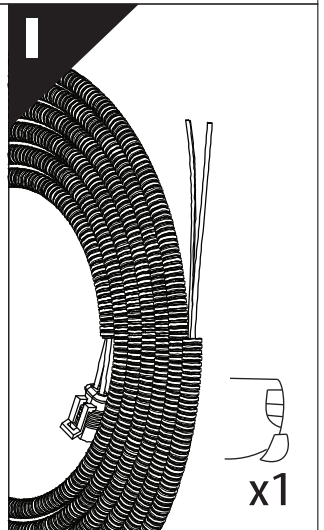
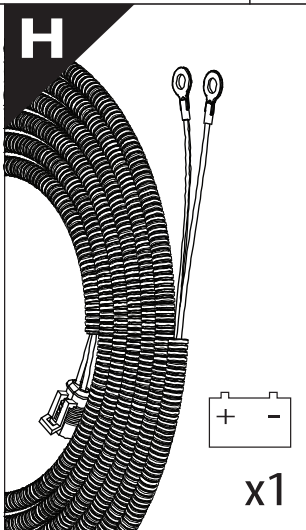
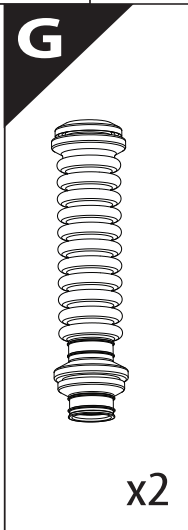
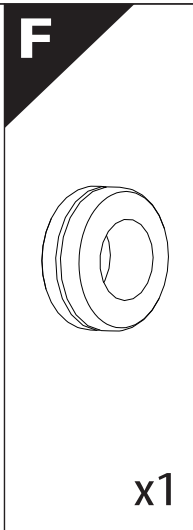
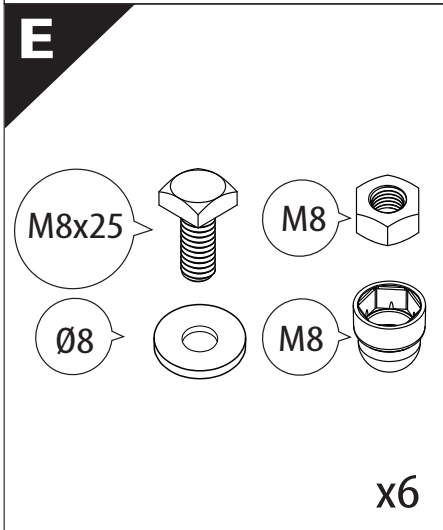
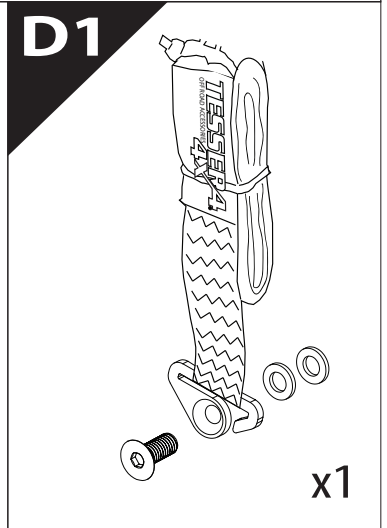
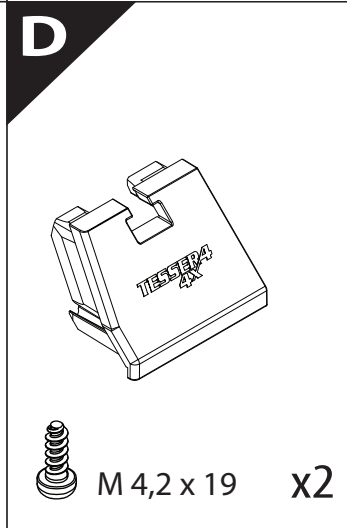
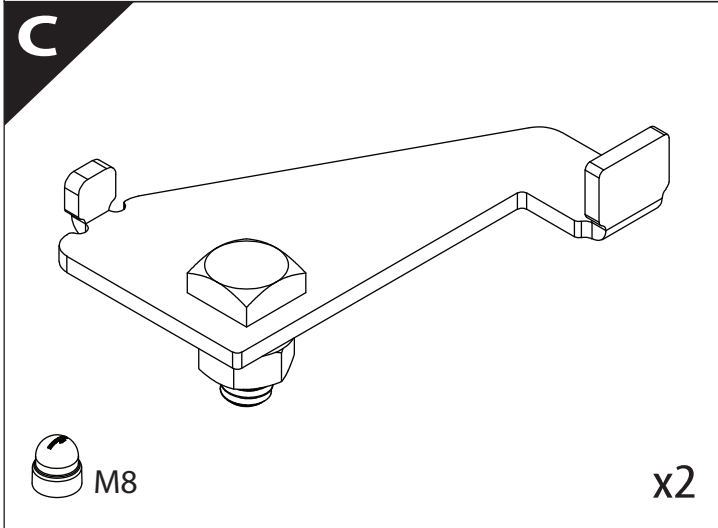
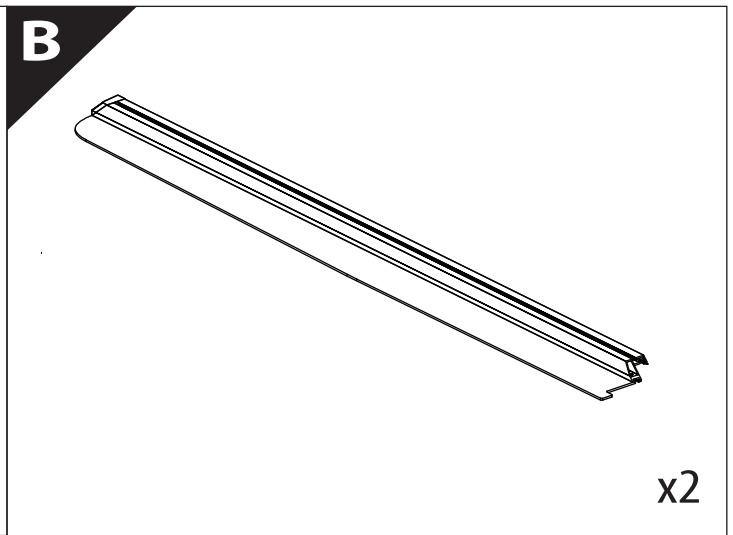
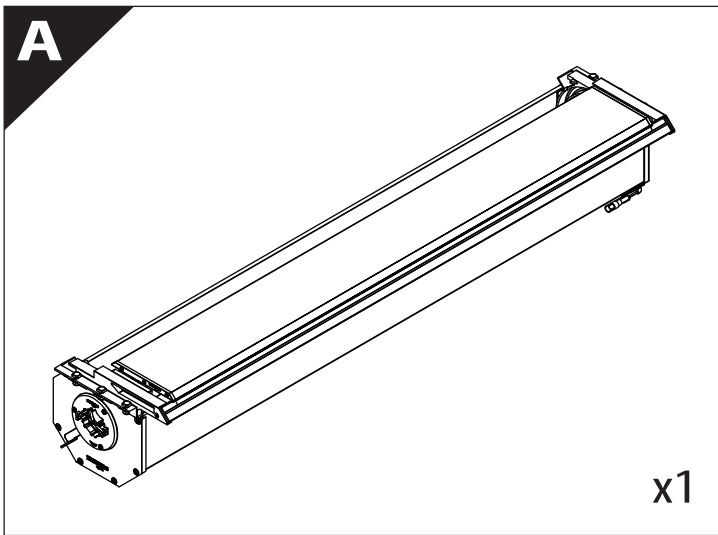
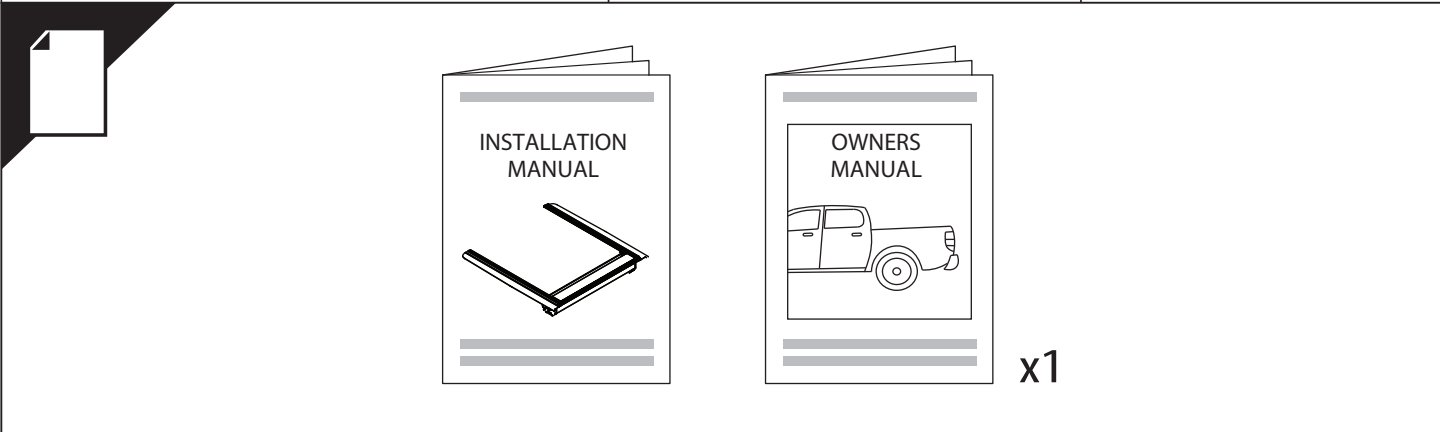
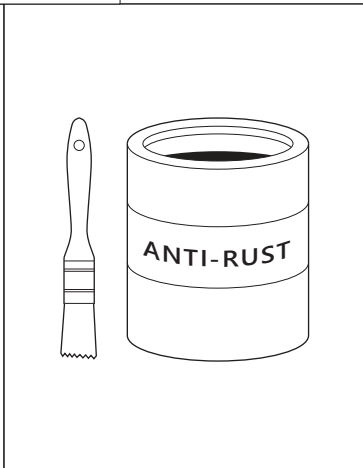
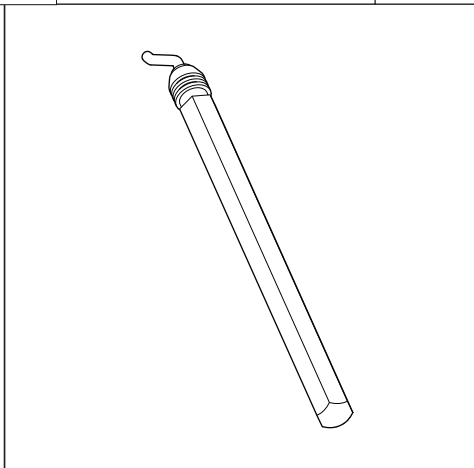
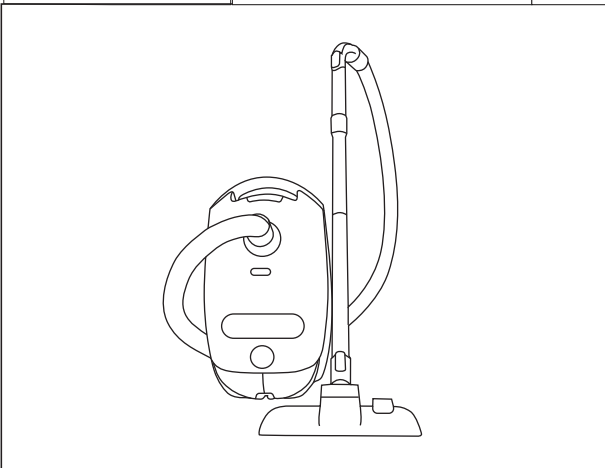
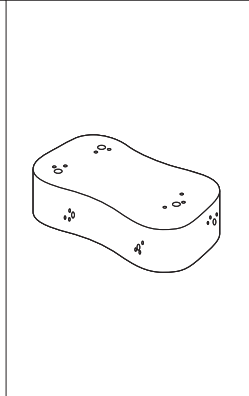
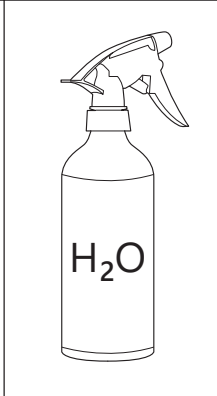
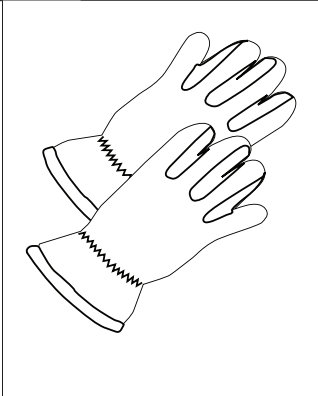
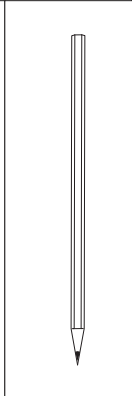
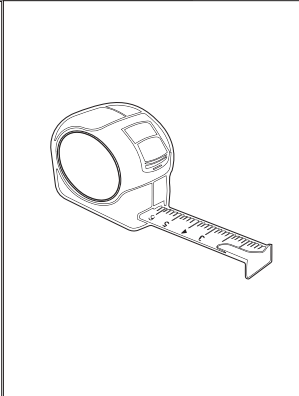
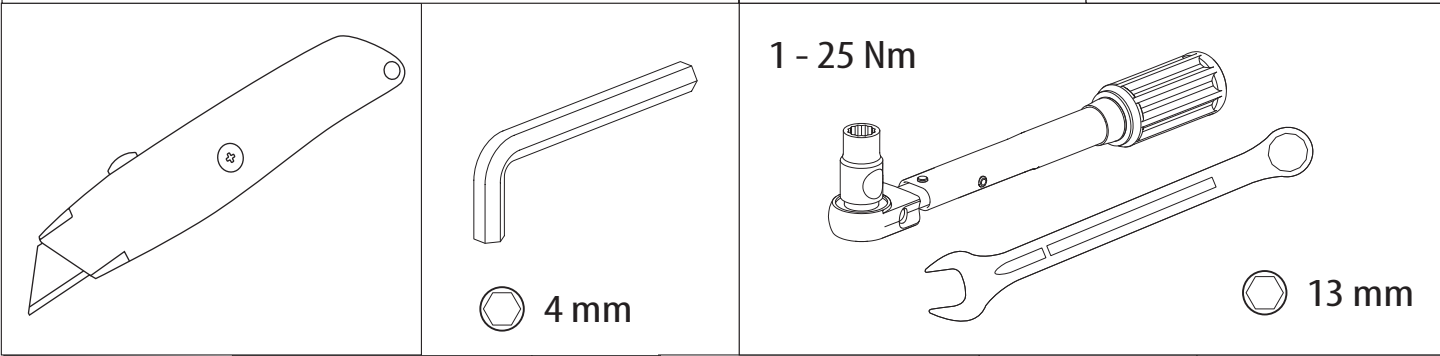
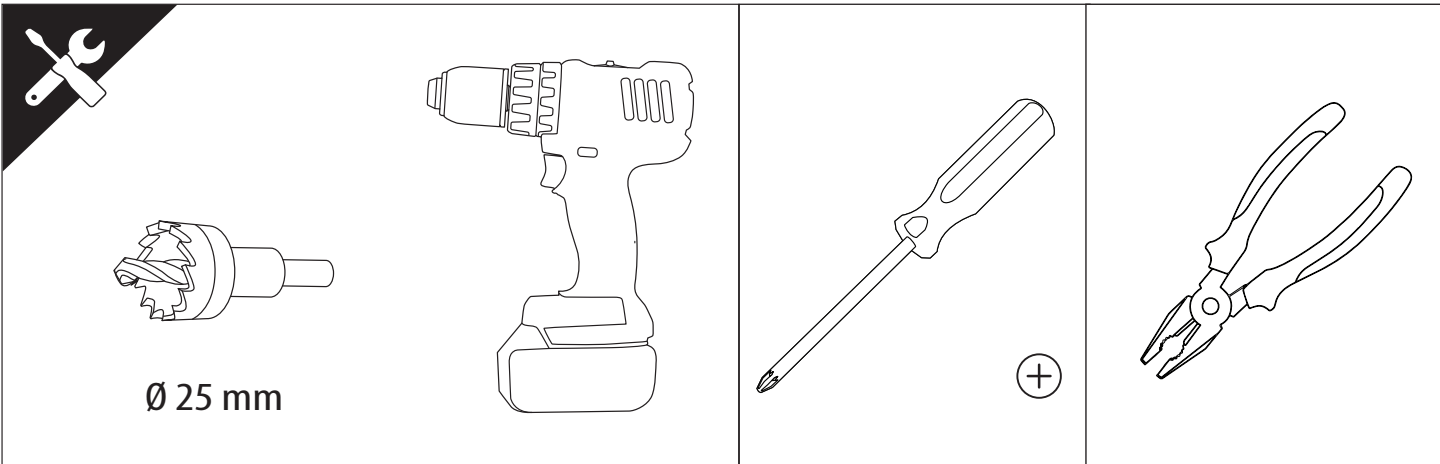




Installation Manual

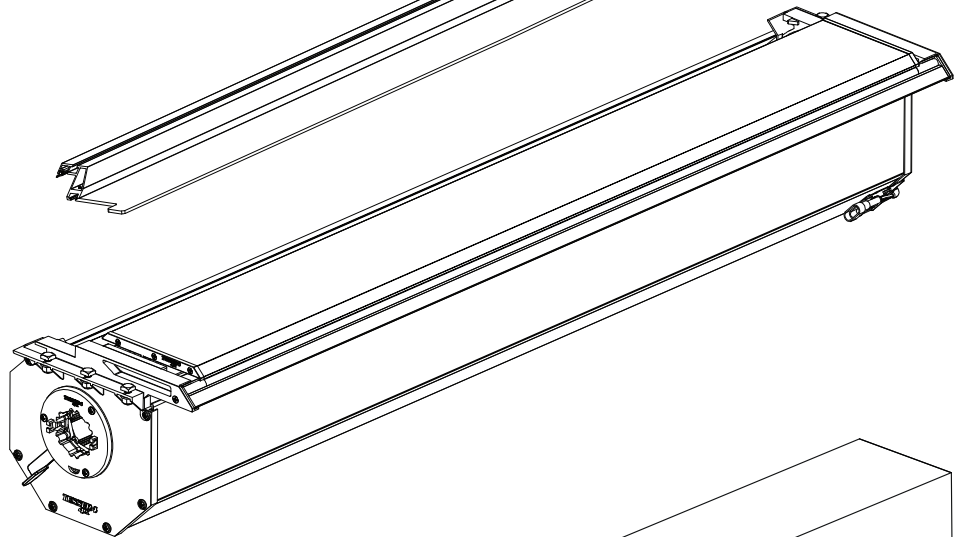
PART NUMBER(S)	Model Year
TESS 1431 ROLL	Toyota Tundra 2014 ->2021 & 2022+ (no c - channels)
TESS 14311 ROLL	
Cab(s)	Installation Time / Weight
5.5 Feet & 6.5 Feet	40-60 minutes / 53-57 kg







B



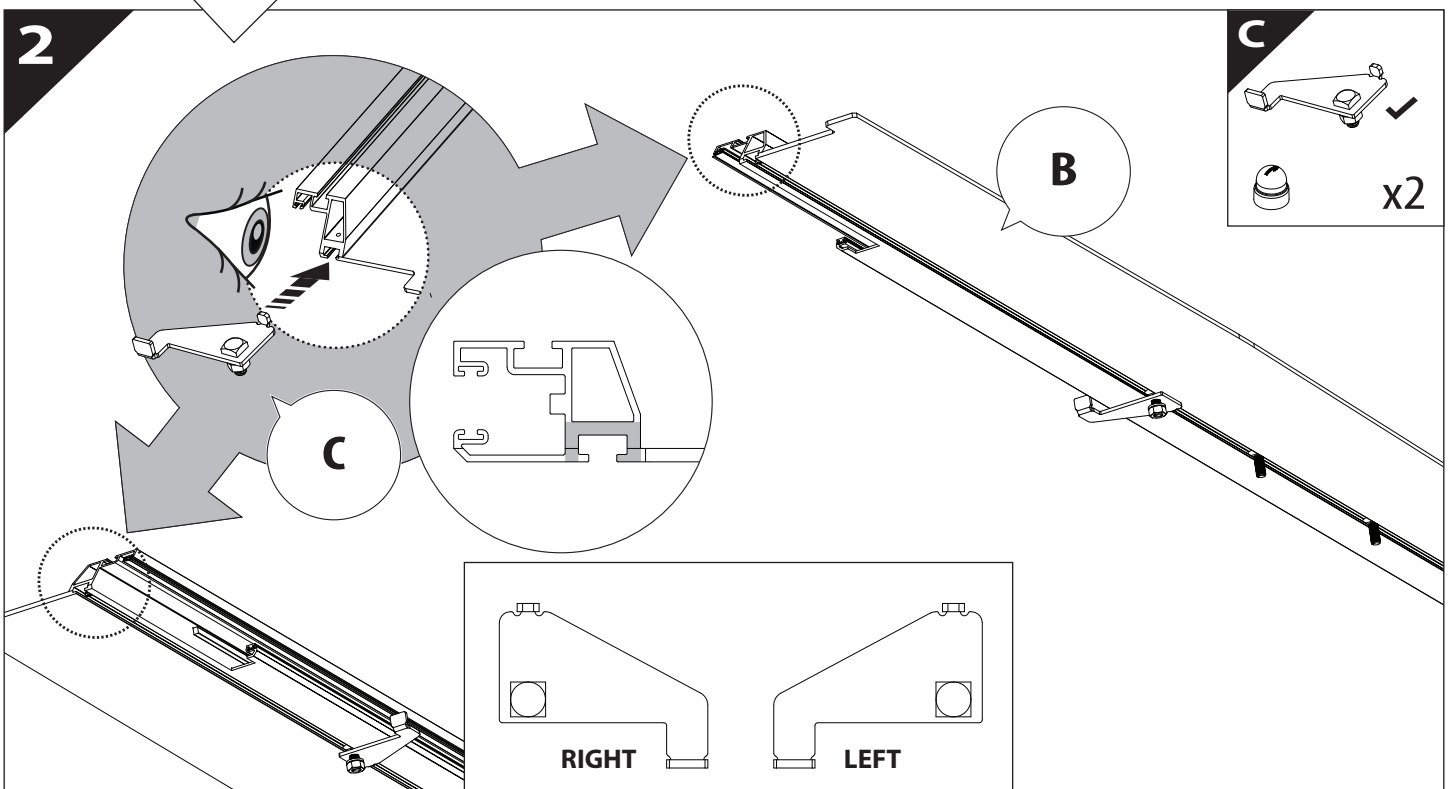
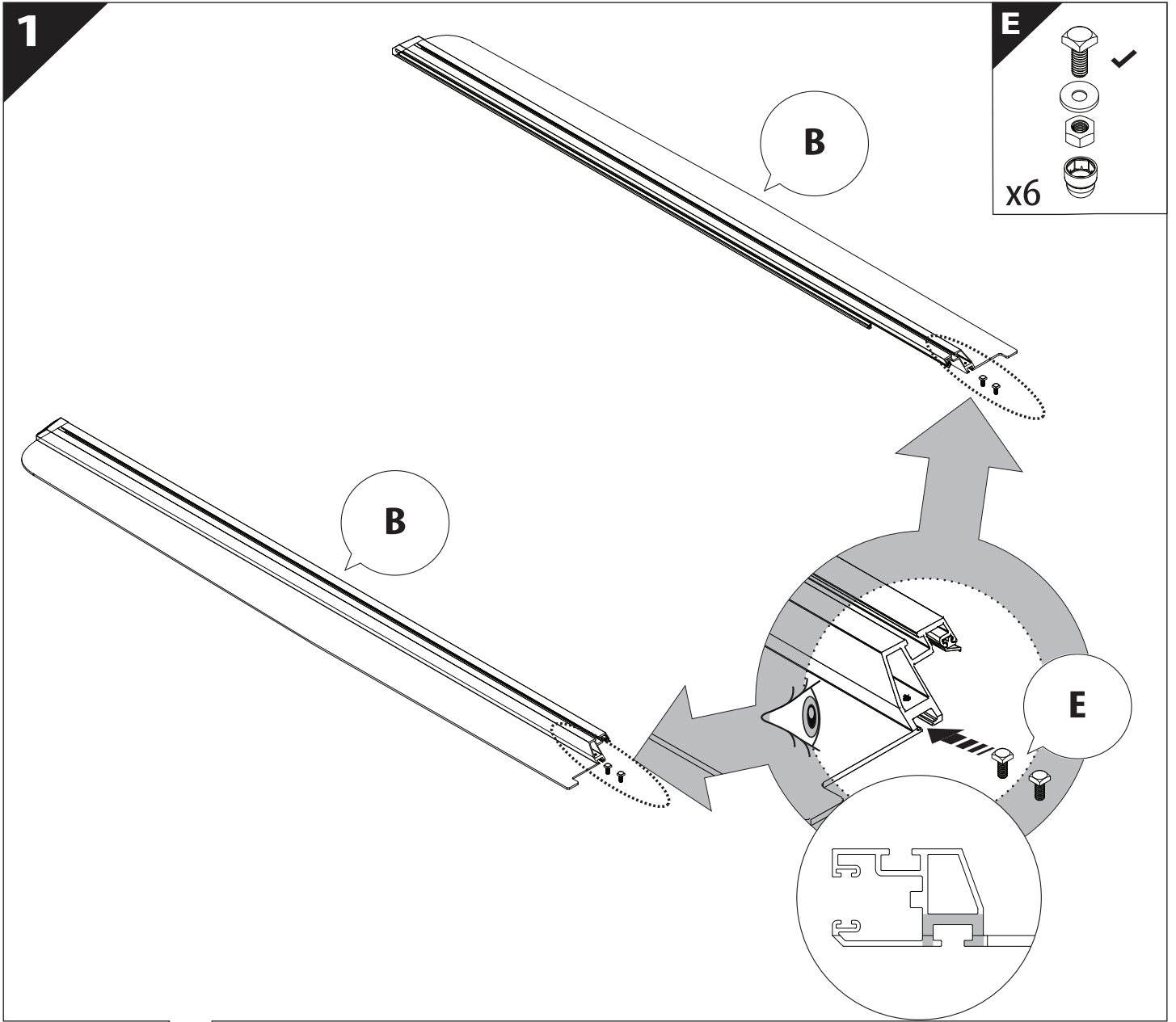
A

KITS



L



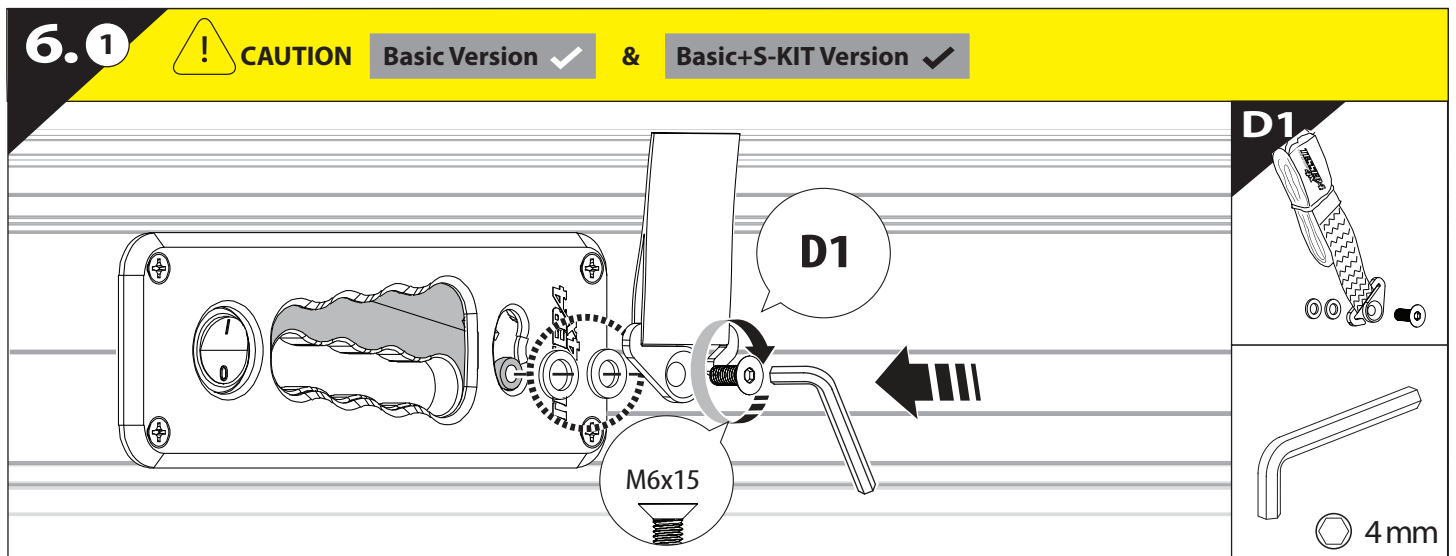
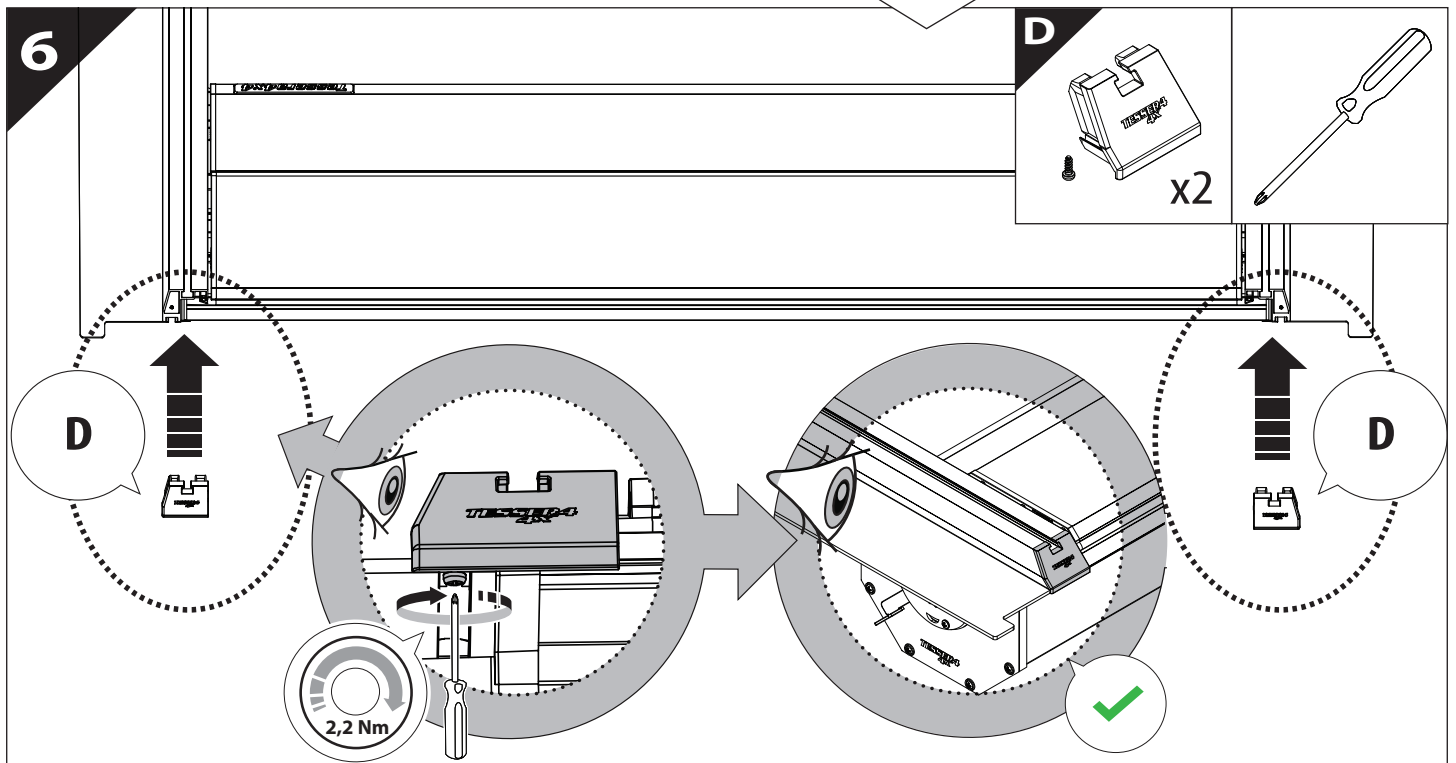
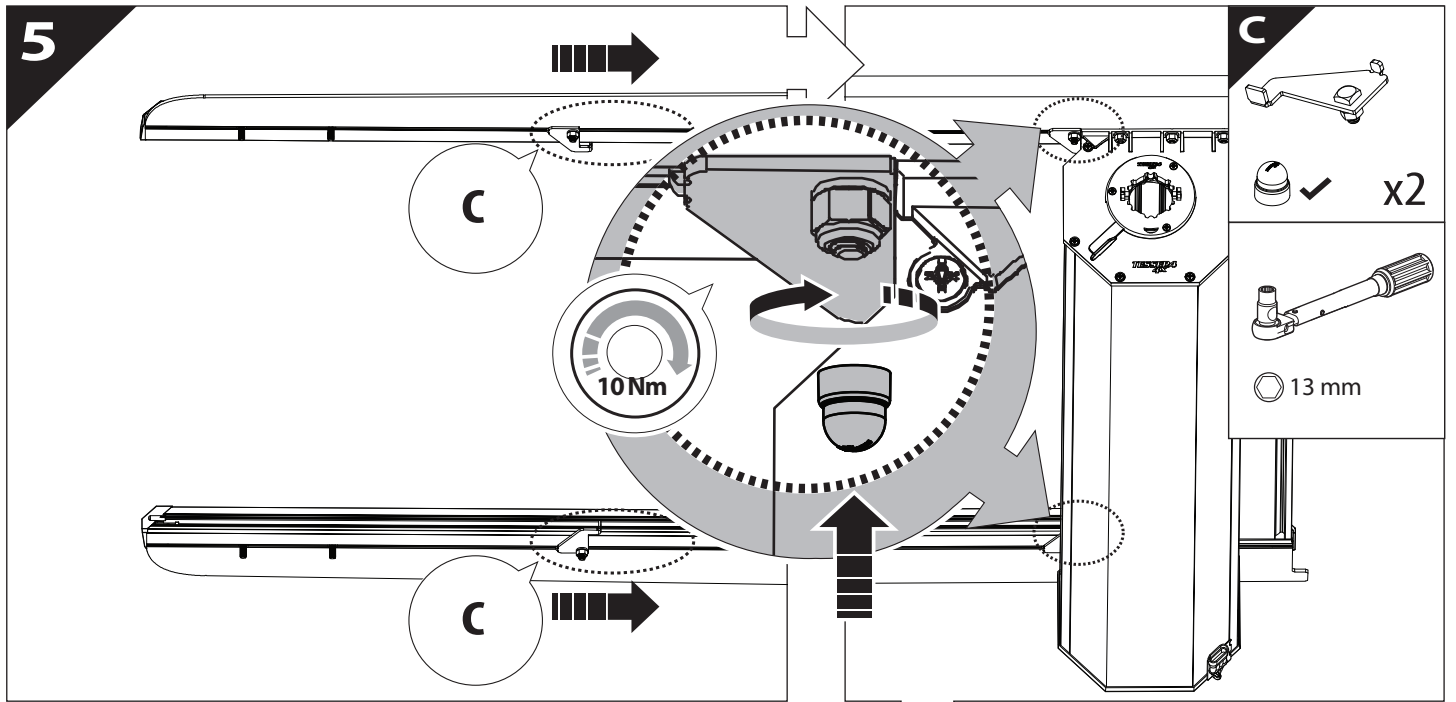


3

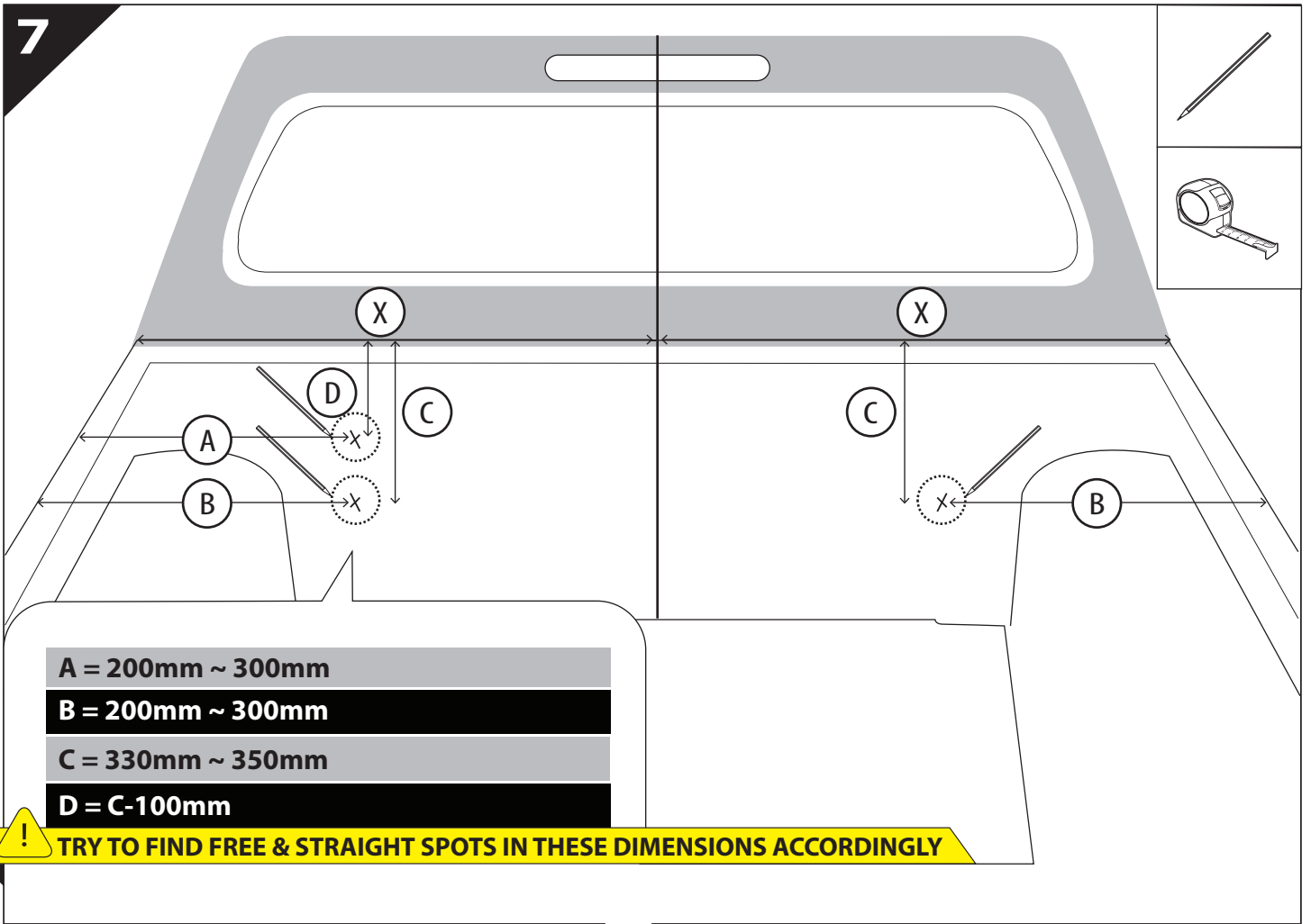


4

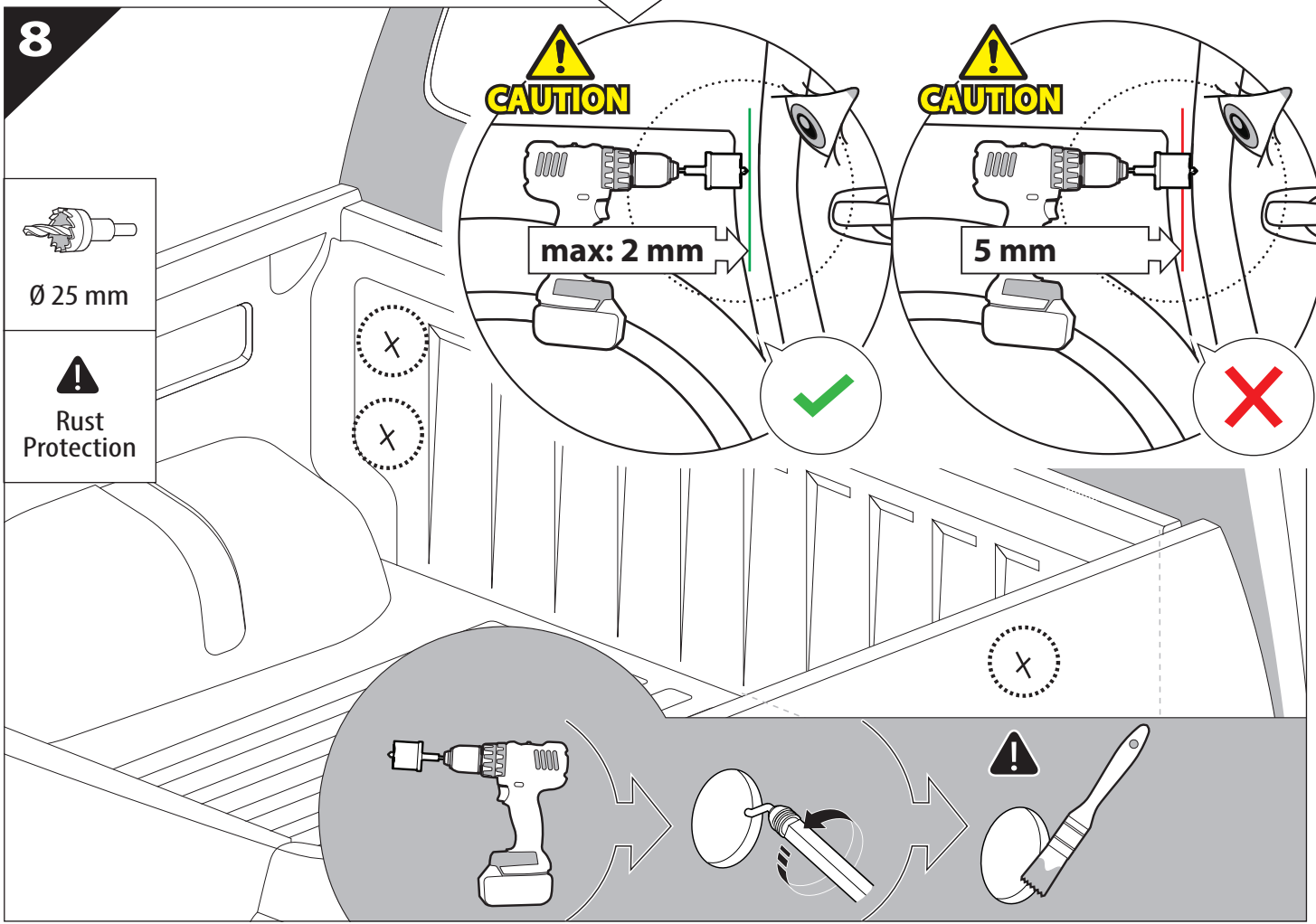


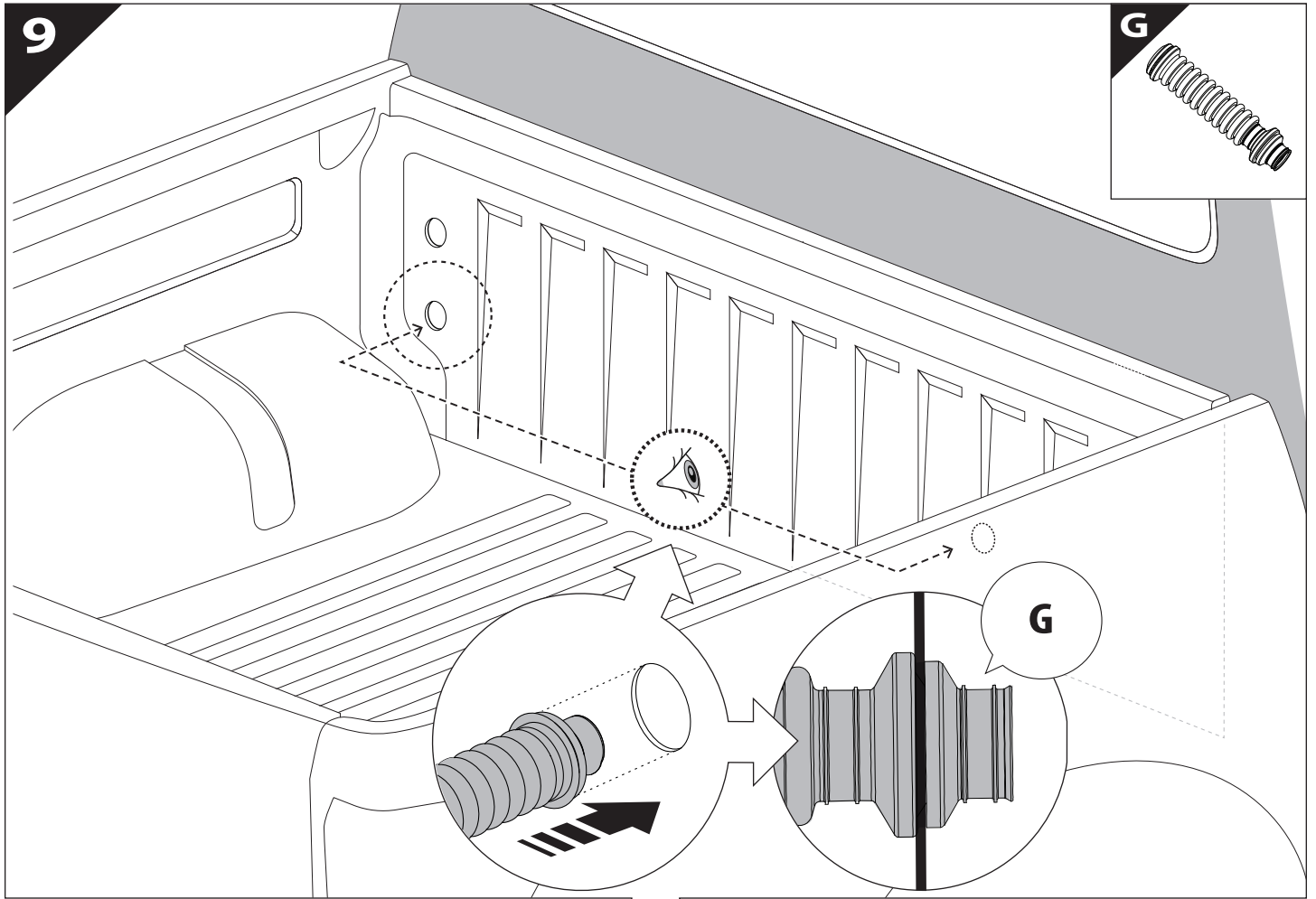


7

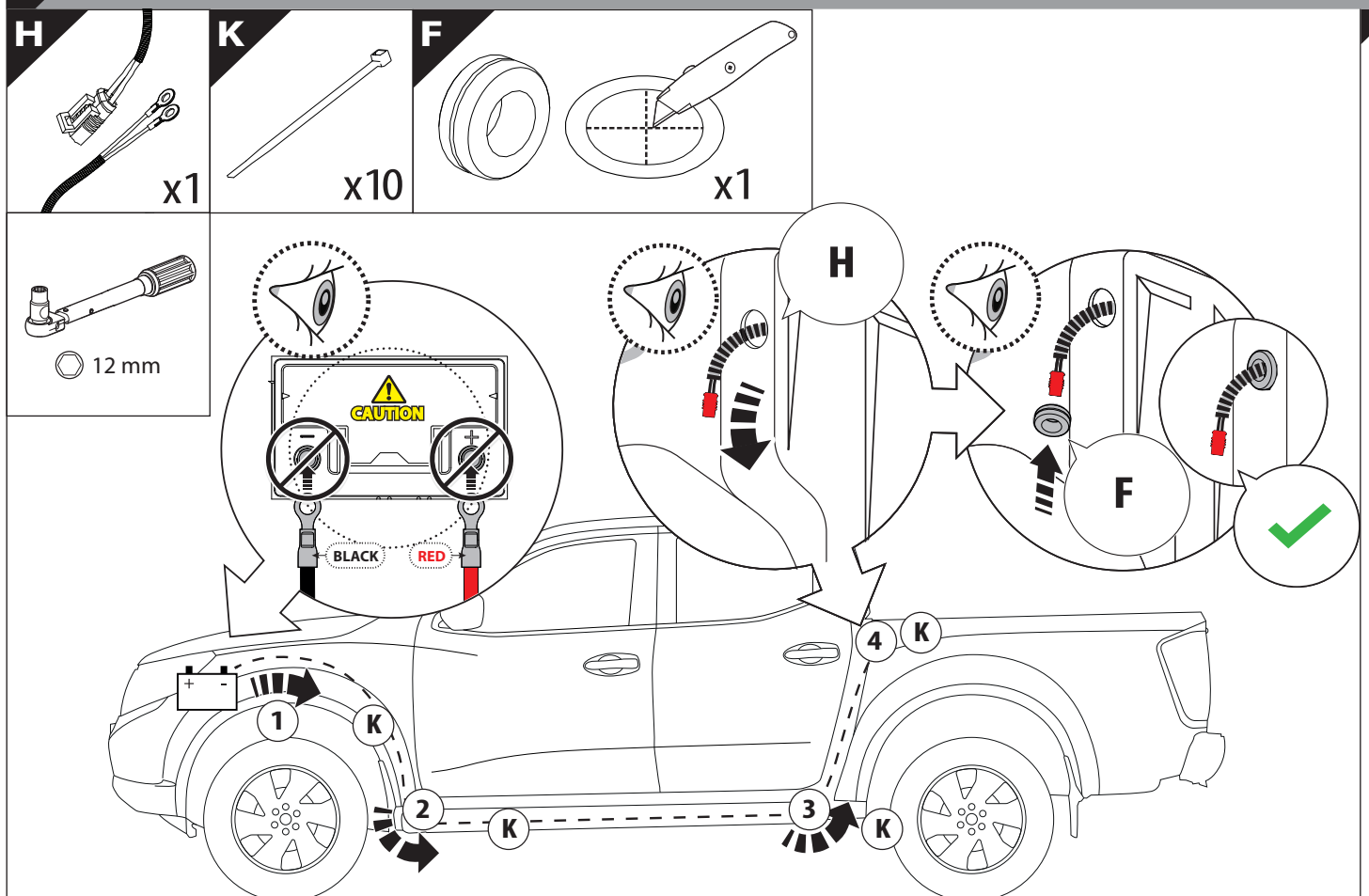


8



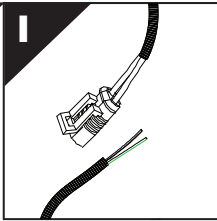


10 Only to be installed by authorized personnel

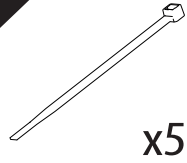


11

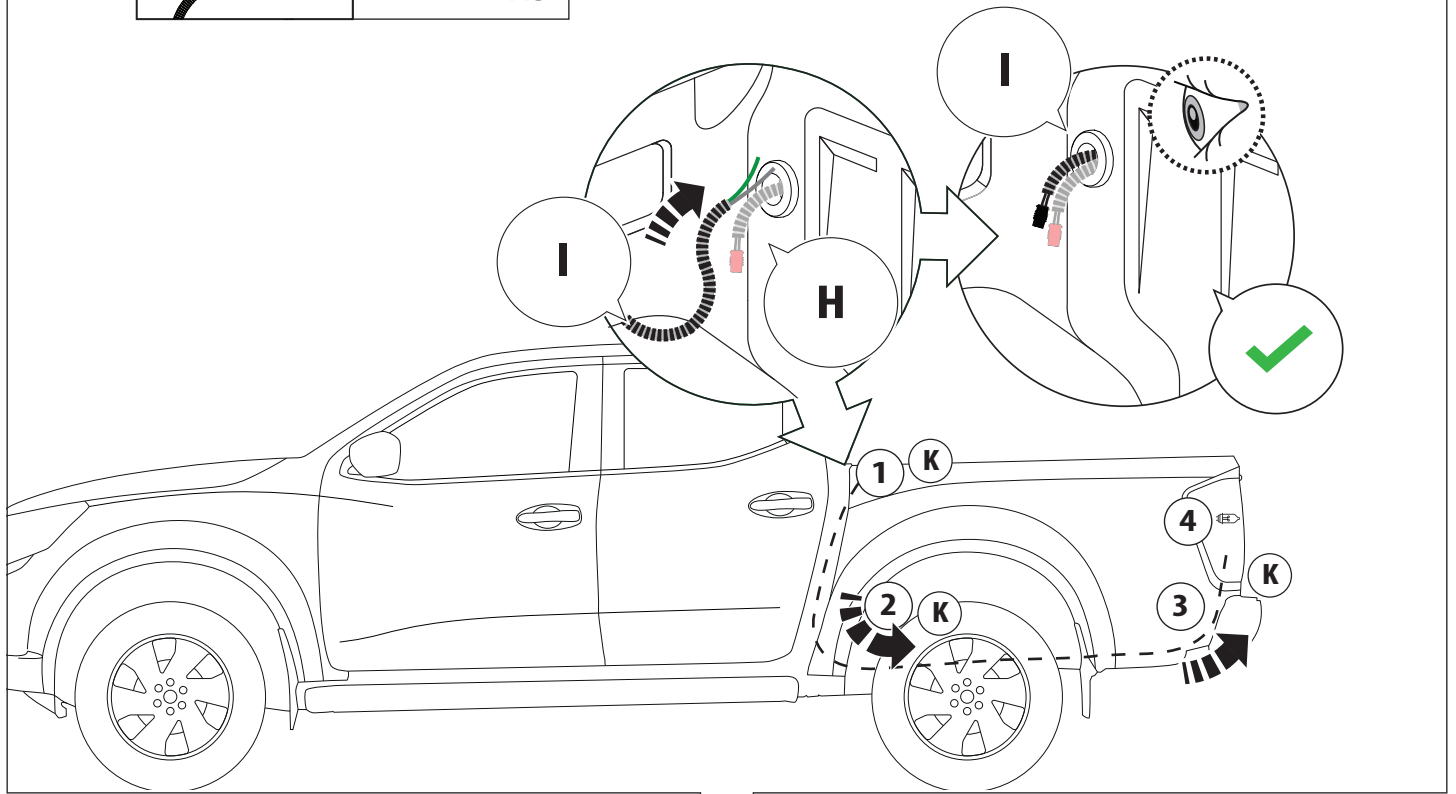
I



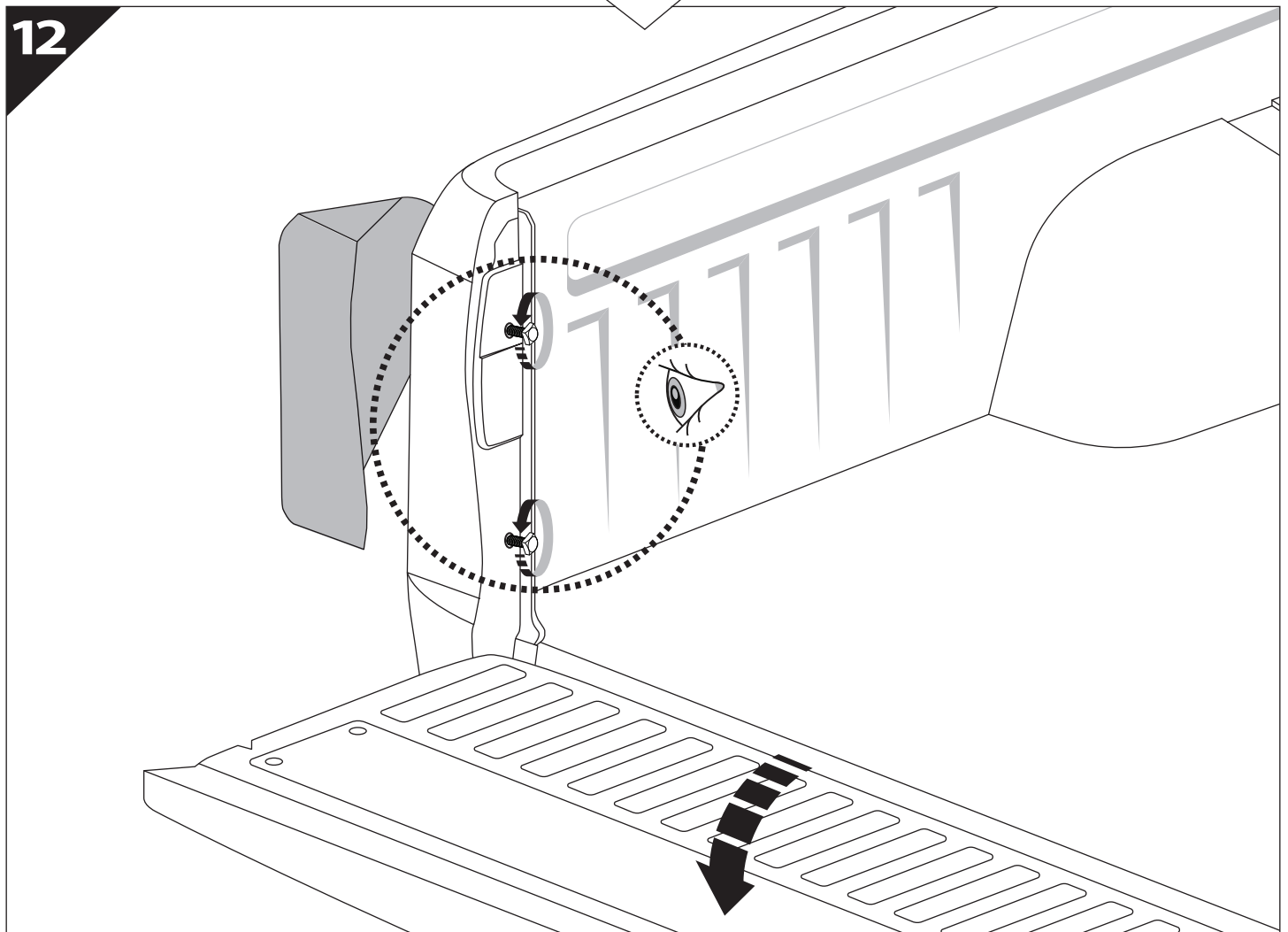
K



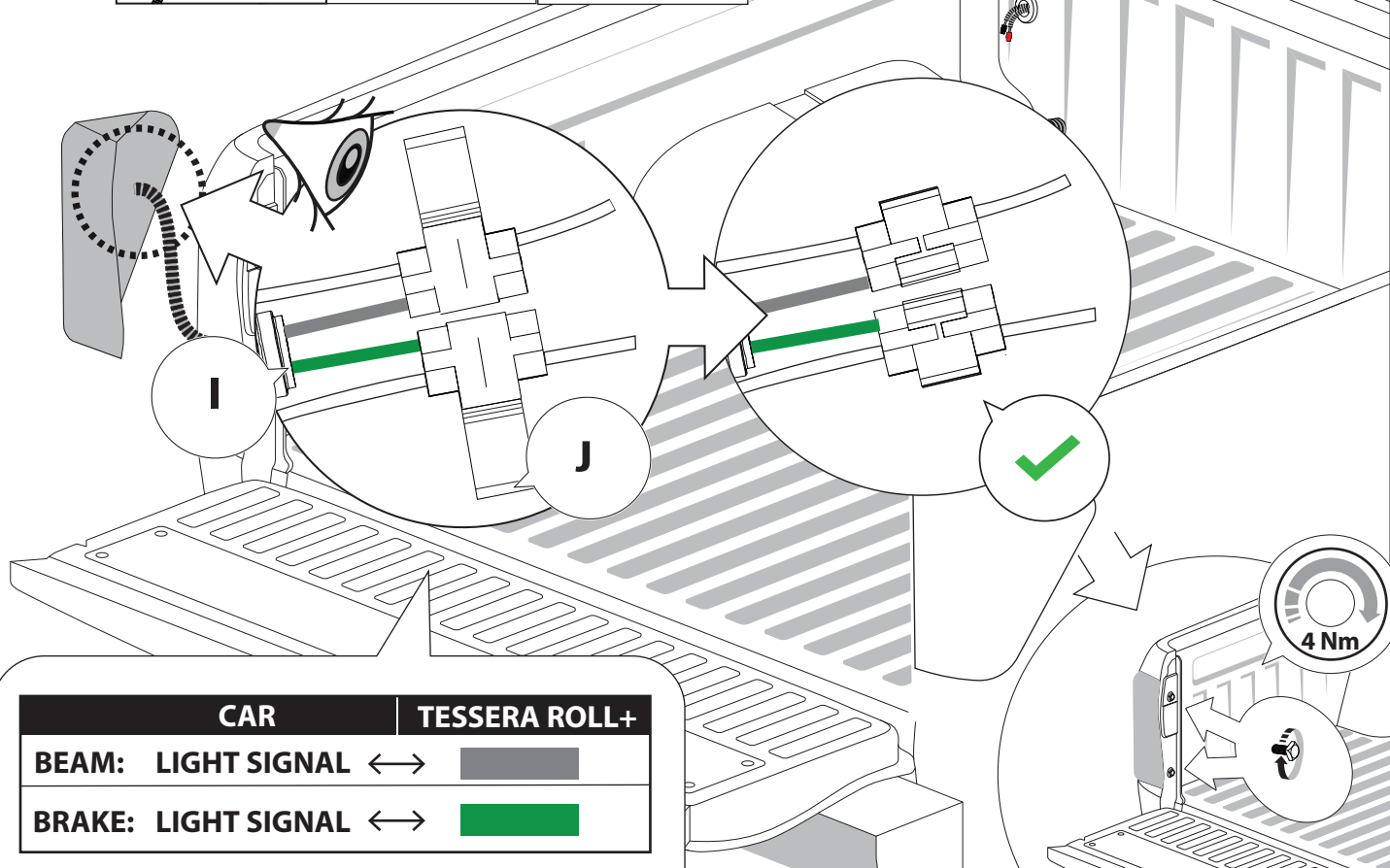
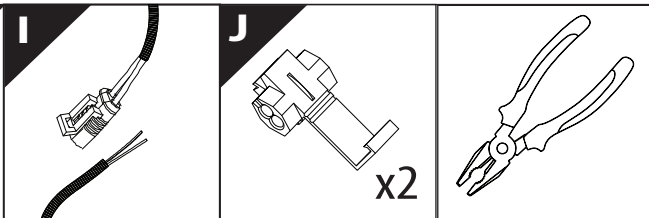
x5



12



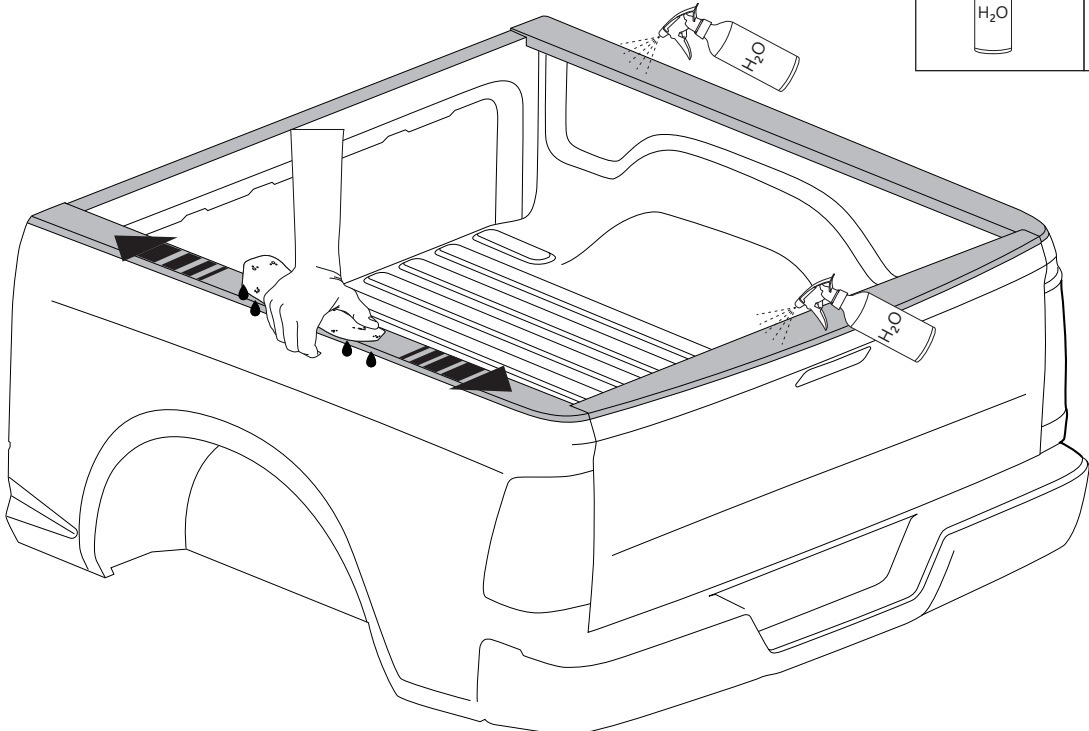
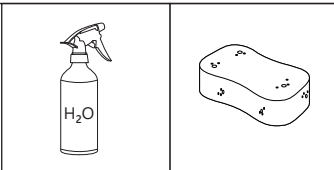
13

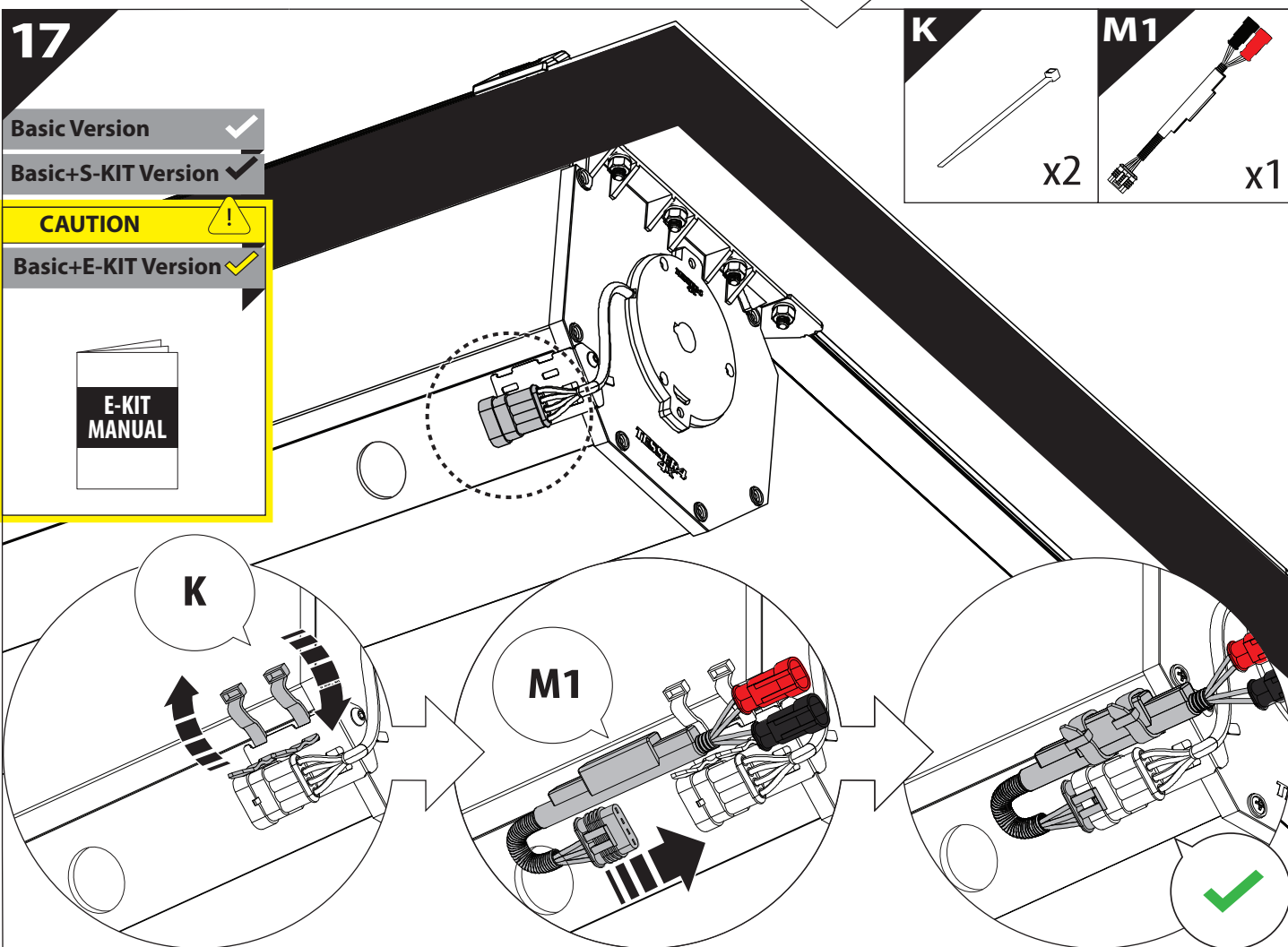
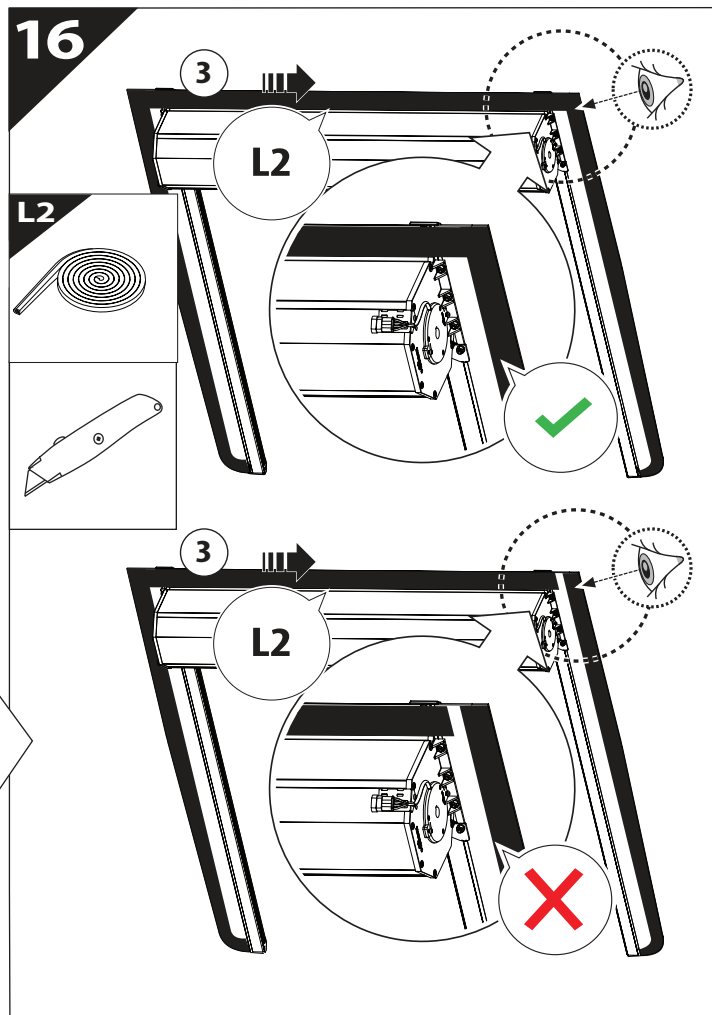
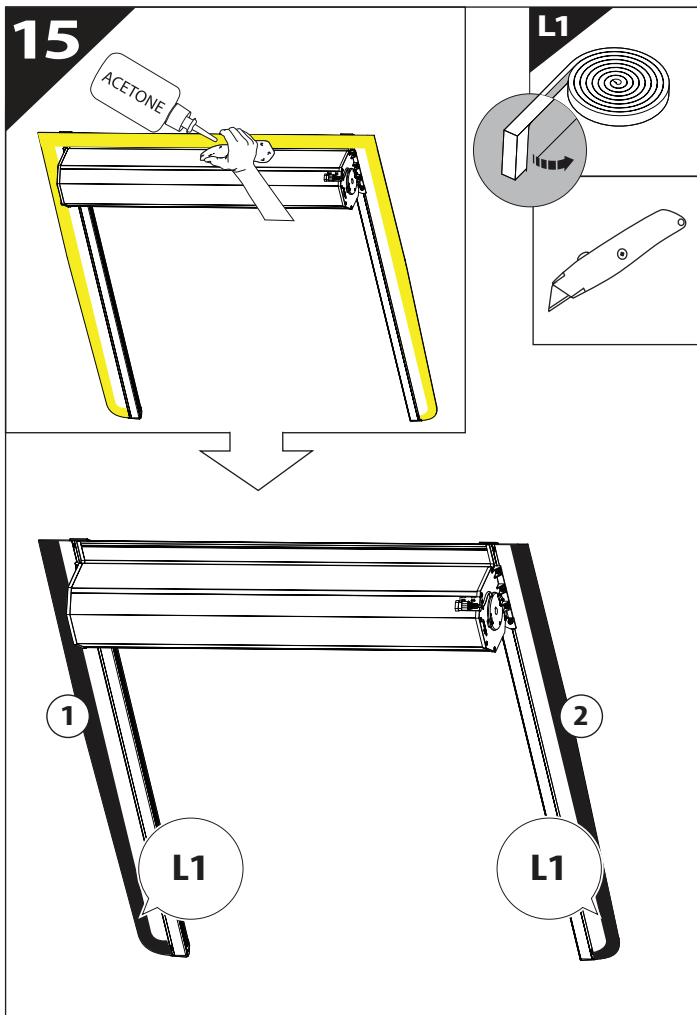


	CAR	TESSERA ROLL+
BEAM:	LIGHT SIGNAL ↔	
BRAKE:	LIGHT SIGNAL ↔	

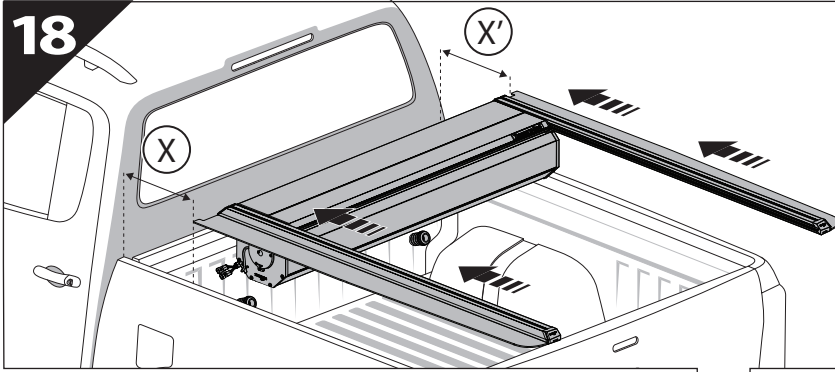
CAUTION: CONSULT A CERTIFIED AUTO MECHANIC OR AUTOMOTIVE ELECTRICIAN TO IDENTIFY THE CORRECT WIRING CABLES FOR BEAM AND BRAKE SIGNALS BEFORE MAKING ANY CONNECTIONS.

14

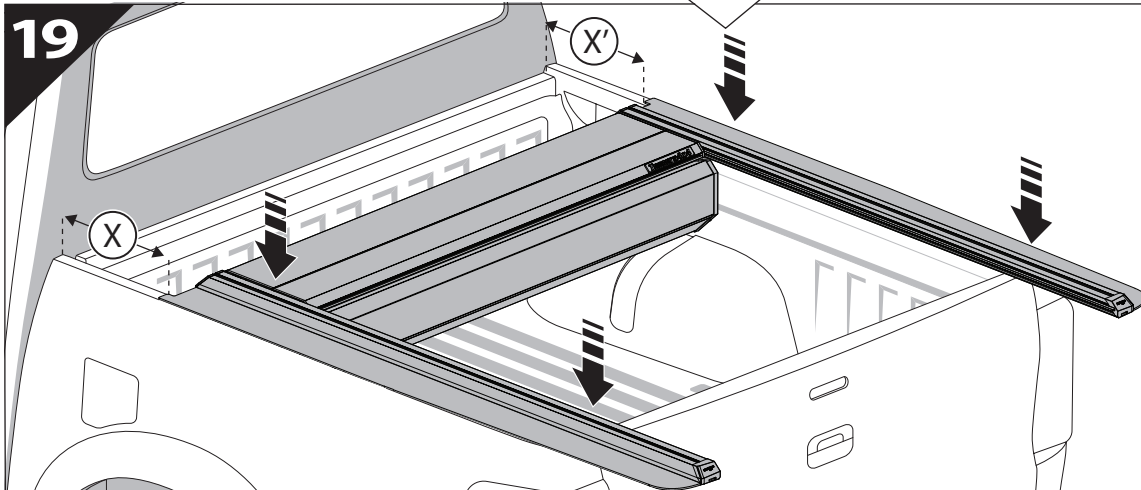




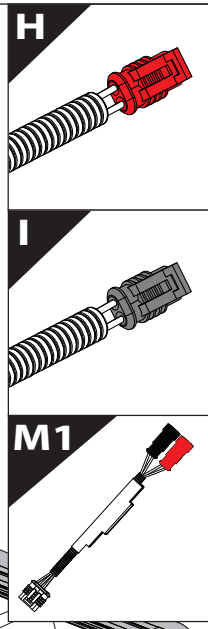
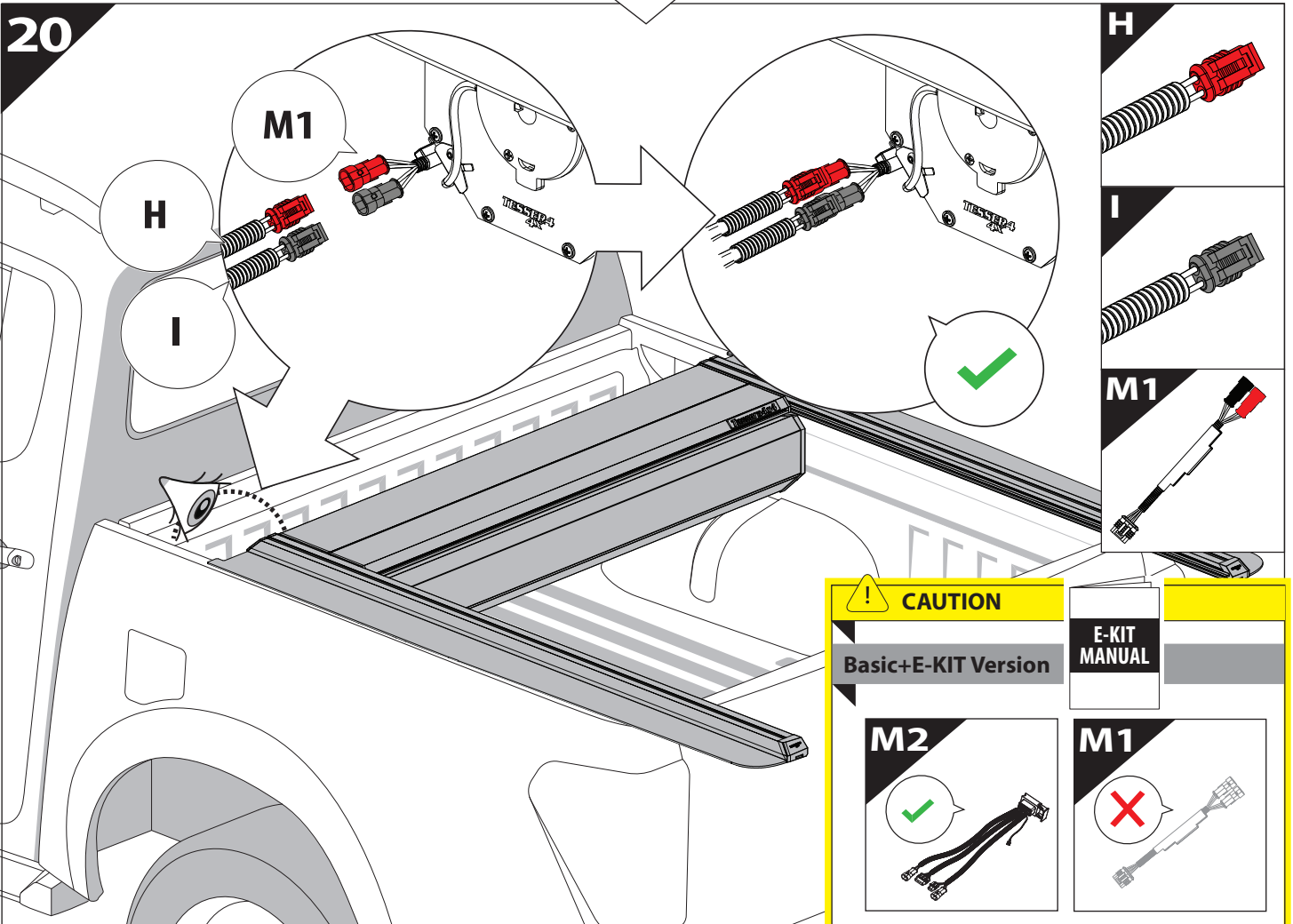
18



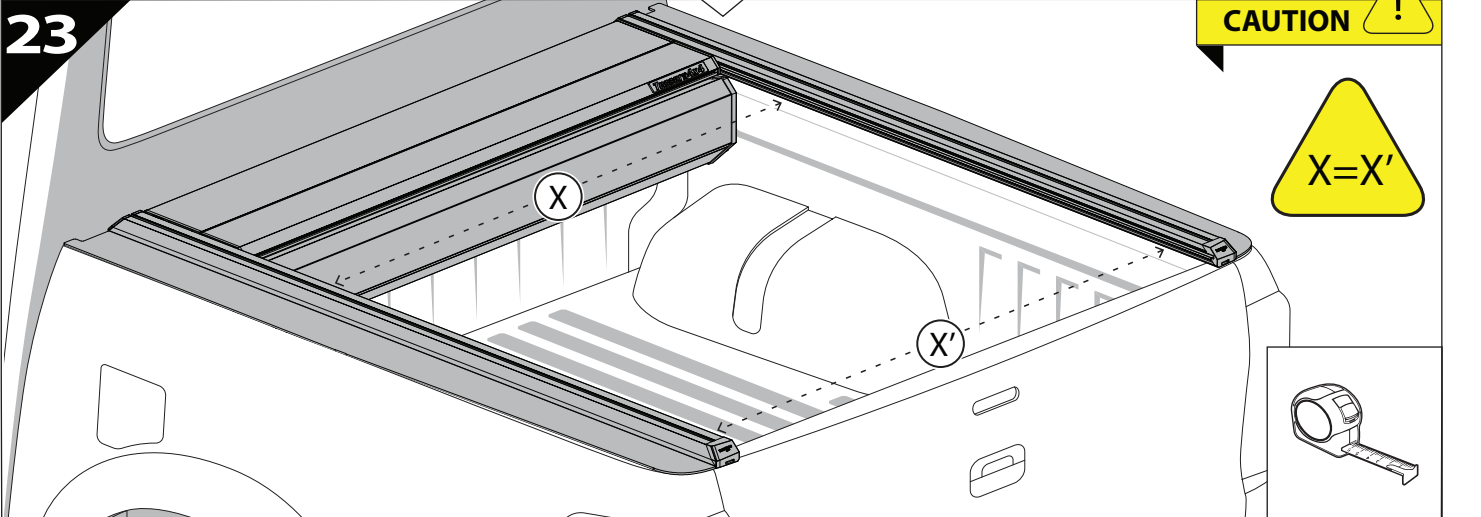
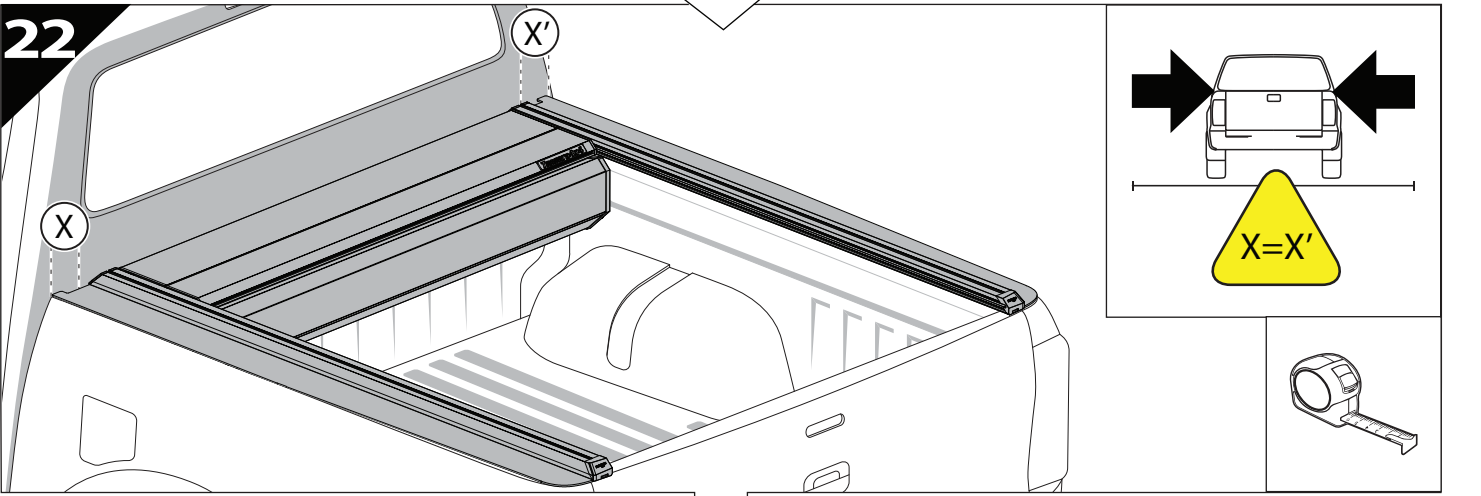
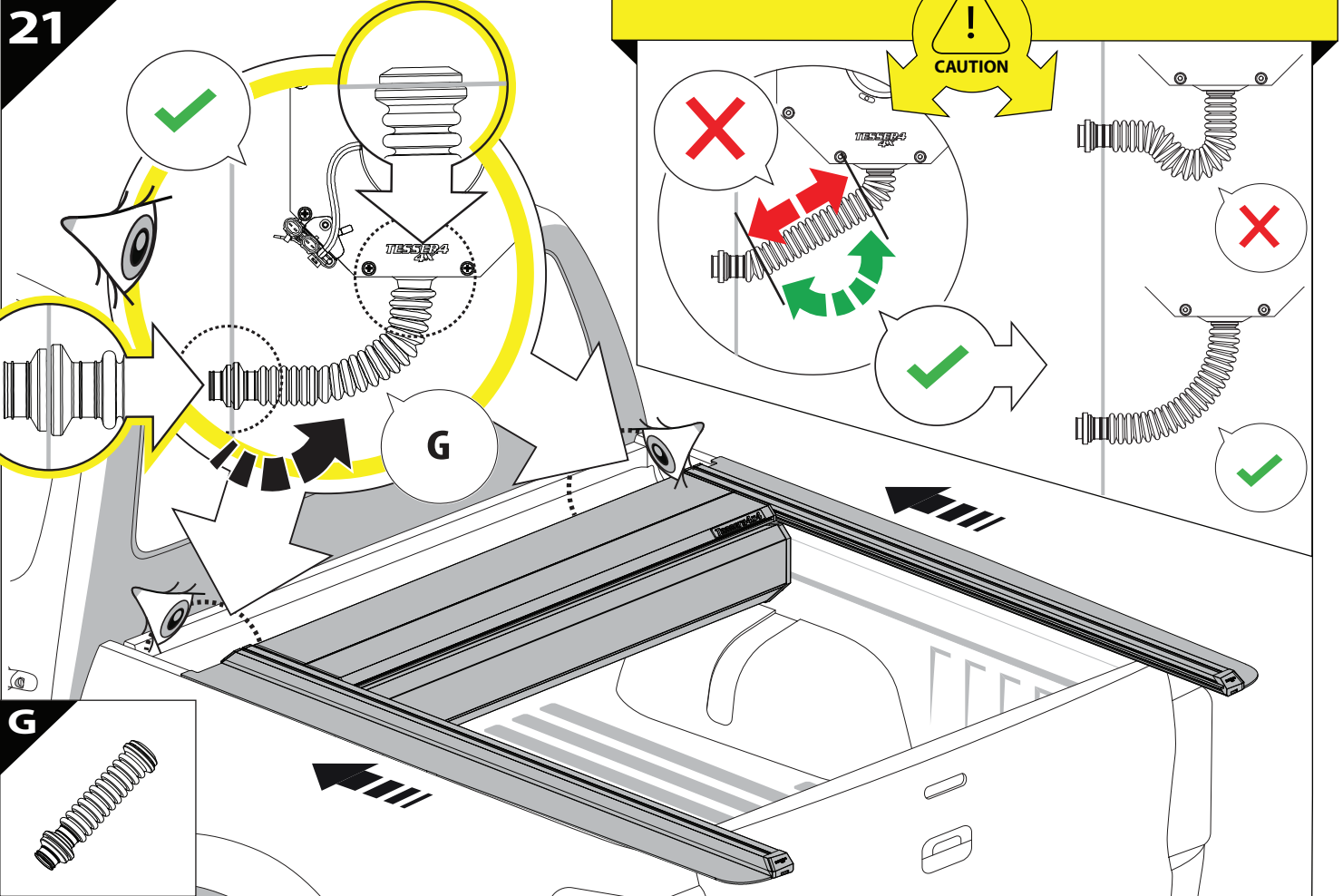
19

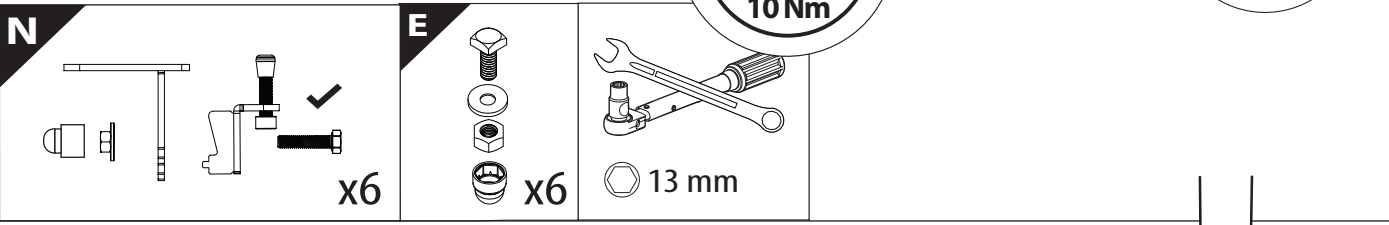
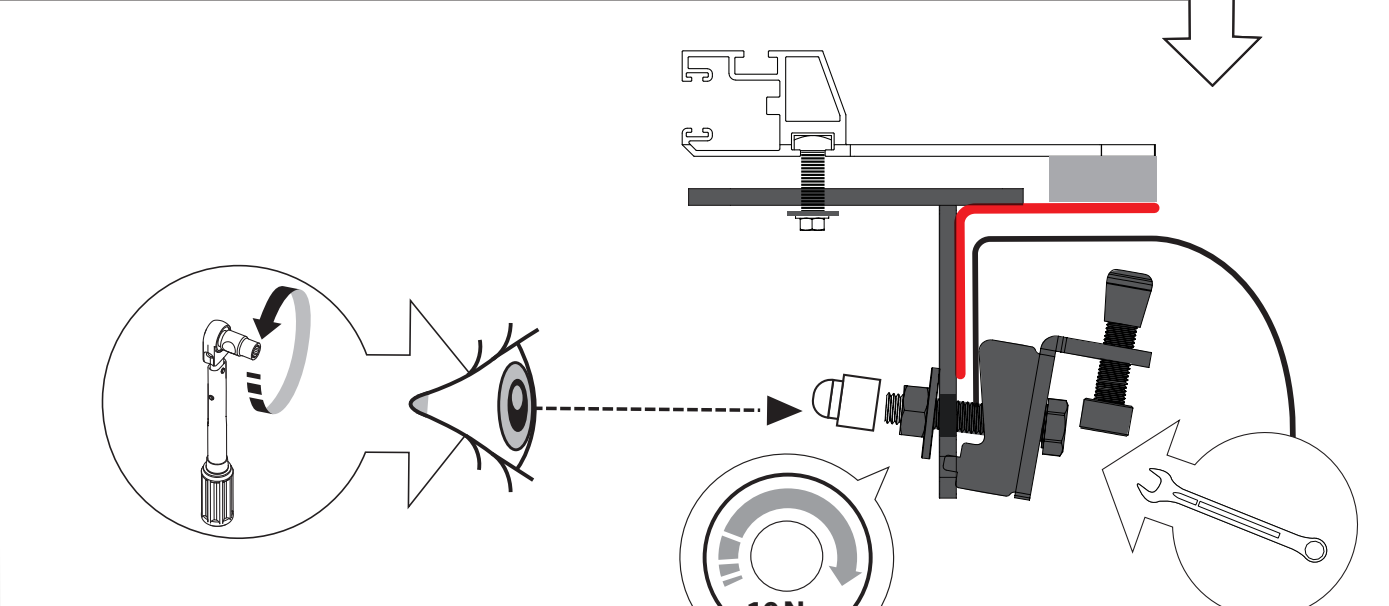
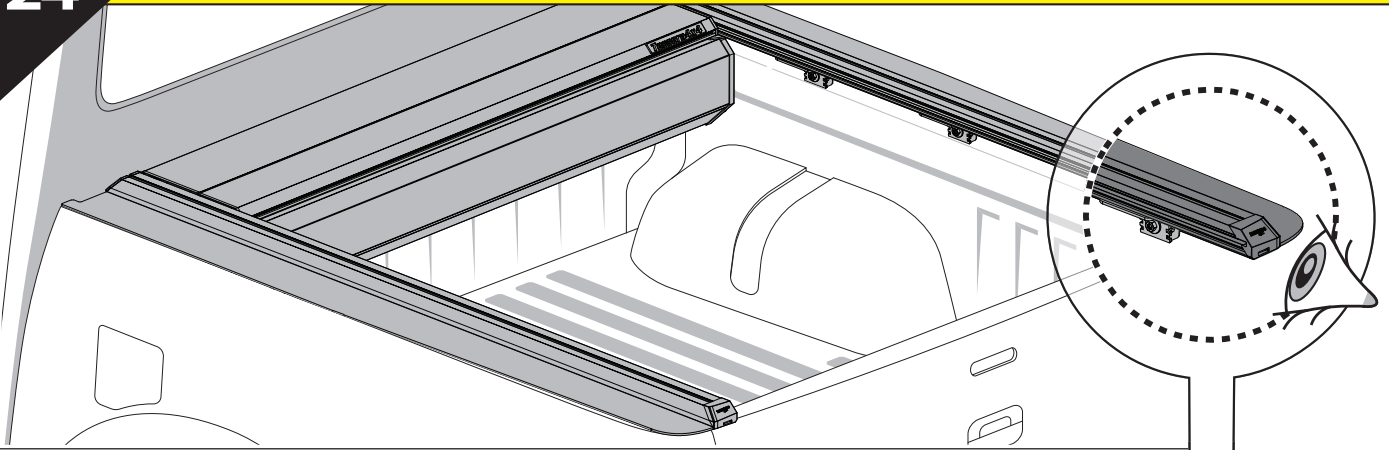


20

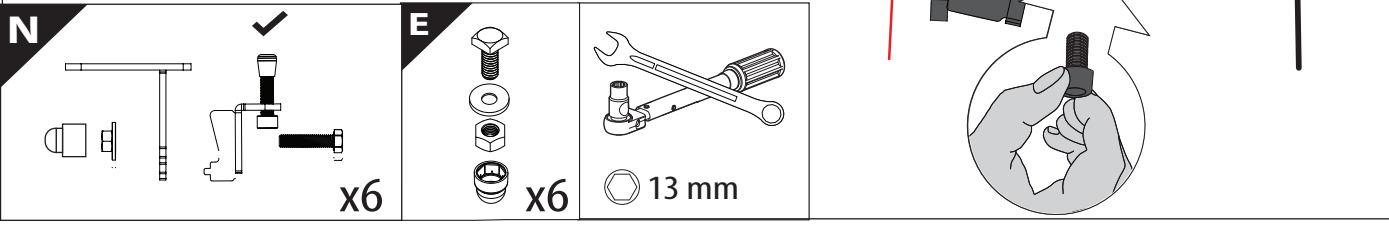
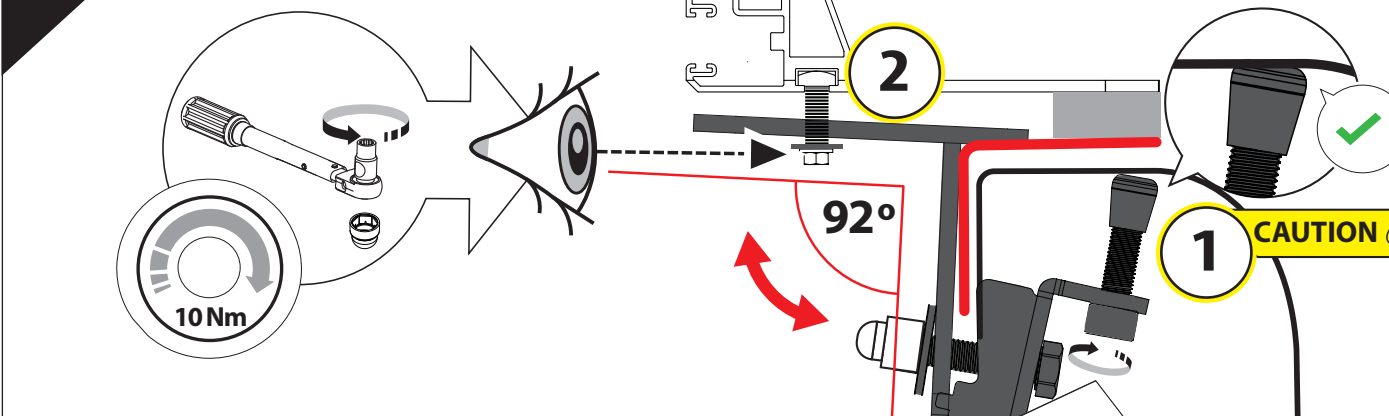


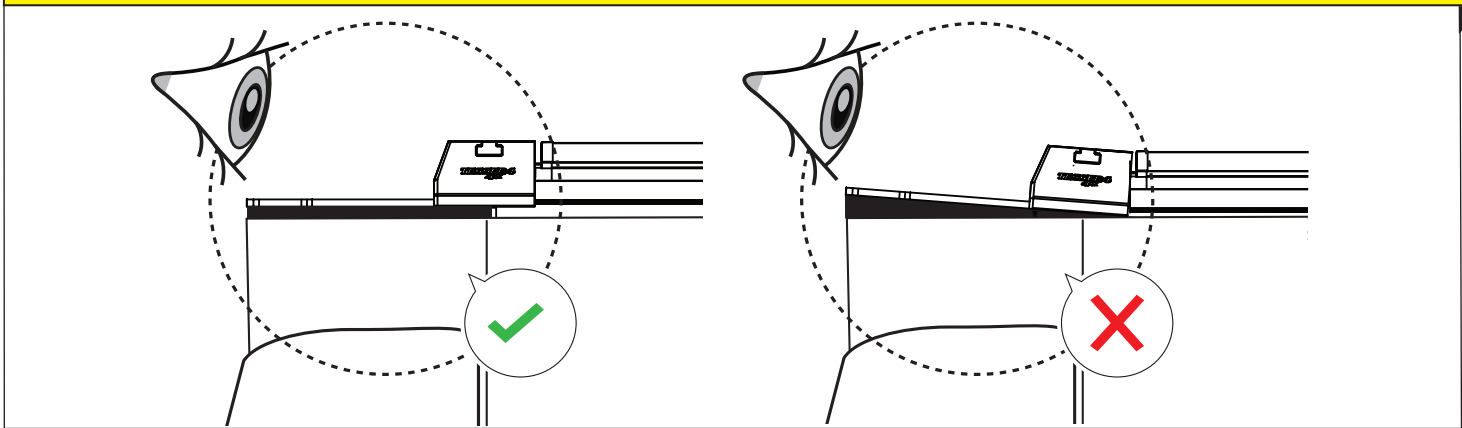
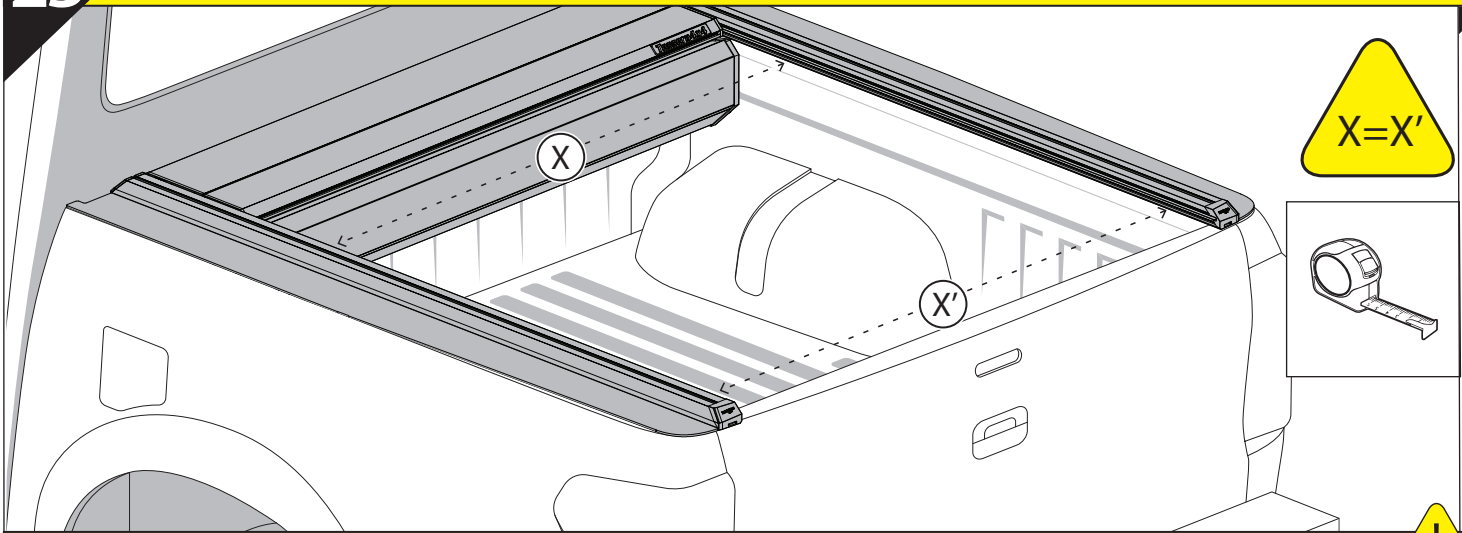
CAUTION	
Basic+E-KIT Version	
E-KIT MANUAL	
M2 ✓ 	M1 ✗



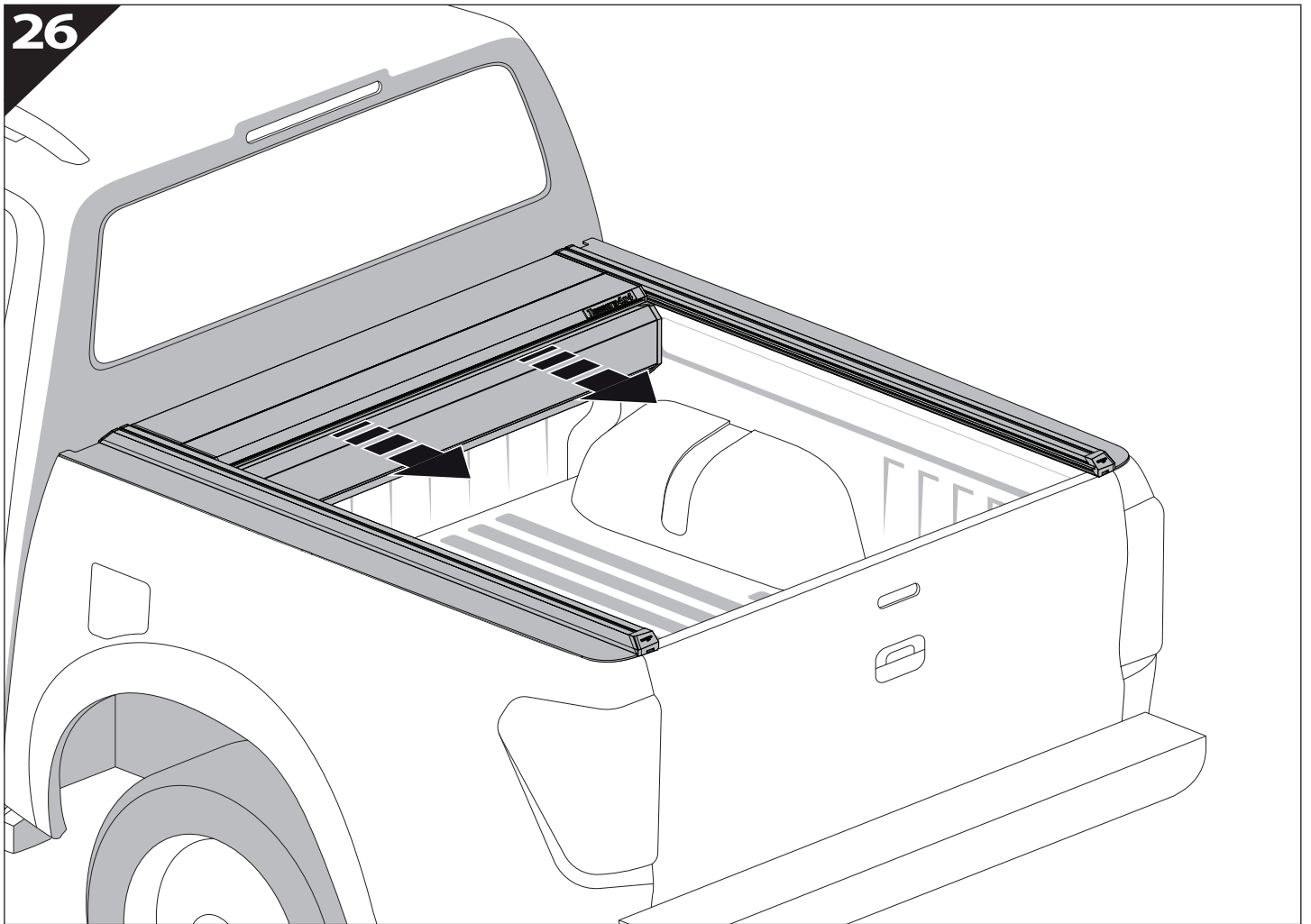


24.1

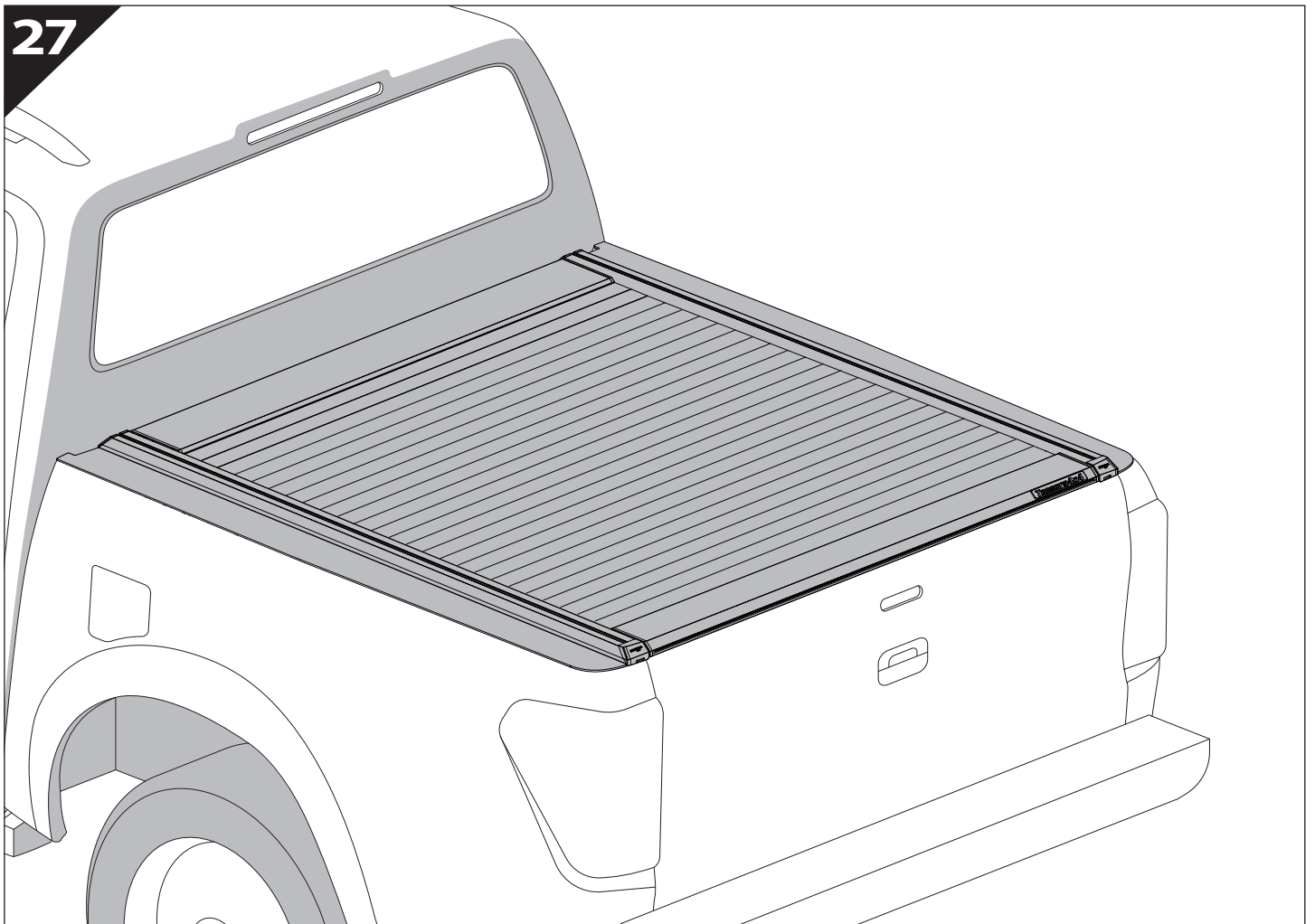




26



27





GR: Οδηγίες Εγκατάστασης
GB: Installation manual
SF: Asennusohje
F: Notice de montage
PL: Instrukcja montażu
NL: Installatie-instructies
TR: Montaj Talimatı
S: Monteringsanvisning
E: Instrucciones de montaje

H: Szerelési utasítás
P: Instruções de instalação
RUS: Инструкция по установке
N: Monteringsveiledning
D: Einbauanleitung
CZ: Návod k instalaci
I: Istruzioni de montaggio
DK: Monteringsvejledning
RO: Instructiuni de instalare

Customer Service:

+30 (210) 5541161, +30 (210) 5541154 (08:00 - 16:00 EET)

Support department:

info@gianso.gr

Website:

www.tessera4x4.com

Address:

19.5 km of National road Athens-Korinthos (Elefsina) Greece, P.C: 19200